

# ***HARVEST BELTS***®

Catalogue / Katalog

III edition / edycja

**ZASTRZEŻENIE**

Wyroby zaprezentowane w tym katalogu są produkowane przez Sanok Rubber Company Spółka Akcyjna. Podane numery katalogowe są numerami katalogowymi części nadanymi przez producenta maszyny i wskazane zostały jedynie w celu ułatwienia identyfikacji wyrobów. Wyroby wskazane w katalogu nie są sponsorowane oraz nie powinny być w żaden sposób łączone z nazwami producentów maszyn rolniczych wyszczególnionymi w katalogu.

**DISCLAIMER**

The products presented in this catalogue are produced by Sanok Rubber Company Spółka Akcyjna. Indicated catalogue numbers are catalogue parts numbers given by manufacturer of machinery and are shown only to make identification of products easier. The products presented in the catalogue are not sponsored and shall not be connected in any way with agricultural equipment manufacturers named in this catalogue.

Wstęp / Introduction ..... 13  
 Zasady prawidłowej eksploatacji / Rules of proper maintenance ..... 14  
 Zasady prawidłowej eksploatacji / Rules of proper maintenance ..... 15  
 Zasady prawidłowej eksploatacji / Rules of proper maintenance ..... 16  
 Zasady prawidłowej eksploatacji / Rules of proper maintenance ..... 17  
 Arbos 565 A4L ..... 19  
 Arbos 705 A4L ..... 20  
 Arbos 1220 ..... 21  
 Arbos GIAGUARO ..... 22  
 Arbos LINCE ..... 23  
 Arbos M 160 ..... 24  
 Arbos RECORD - RECORD S ..... 25  
 Arbos TIGRE & PANTERA (UNTIL 1971) ..... 26  
 Arbos TIGRE (from 1972) ..... 27  
 Bizon Dynamic Z 115 ..... 28  
 Bizon Rekord Z 058 ..... 29  
 Bizon SUPER Z 056 ..... 30  
 Bizon BS Z110 ..... 31  
 Braud 640 ..... 32  
 Braud 650 - 700 ..... 33  
 Braud 750 - 755 - 800 ..... 34  
 Case IH 2188 ..... 35  
 Case IH 2344 ..... 36  
 Case IH 2365-2366 ..... 37  
 Case IH 2388 ..... 38  
 Case IH 6088 - Case IH 7088 ..... 39  
 Case IH 6130 ..... 39  
 Case IH 6140 ..... 40  
 Case IH 7120 ..... 41  
 Case IH 7010 ..... 42  
 Case IH 8010 ..... 43  
 Case IH 7130 ..... 44  
 Case IH 7140 ..... 44  
 Case IH 7230 ..... 45  
 Case IH 7240 ..... 45  
 Case IH 8120 ..... 46  
 Case IH 9120 ..... 47  
 Case IH 8230 ..... 48  
 Case IH 8240 ..... 48  
 Case IH 9230 ..... 49  
 Case IH 9240 ..... 49  
 Case IH 16810 ..... 50  
 Case IH 85 ..... 51  
 Case IH 95 ..... 52  
 Case IH 730 ..... 53  
 Case IH 750 ..... 54  
 Case IH 815 ..... 55  
 Case IH 8-41 ..... 56  
 Case IH 8-51 ..... 57  
 Case IH 8-61 - 321 ..... 58  
 Case IH 8-71 - 431 ..... 59  
 Case IH 8-91 - 531 ..... 60  
 Case IH 923 ..... 61  
 Case IH 933 ..... 62  
 Case IH 943 ..... 63  
 Case IH 953 ..... 64  
 Case IH 715 ..... 65  
 Case IH 915 ..... 66  
 Case IH 1400 ..... 67  
 Case IH 1400NA (to N°20715) ..... 68  
 Case IH 1400NA (from N°20715) - 1440E ..... 69  
 Case IH 1460NA (from N°23247) ..... 70



Case IH 1460NA (from N°23250) - 1460E.....	71
Case IH 1480 (from N°24000).....	72
Case IH 1480NA (from N°24000).....	73
Case IH 1620.....	74
Case IH 1640 (ENGINE DT436B).....	75
Case IH 1640 (ENGINE NCE).....	76
Case IH 1660 (ENGINE DT466B).....	77
Case IH 1660 (ENGINE NCE).....	78
Case IH 1680 (ENGINE DT1466C).....	79
Case IH 1680 (ENGINE NCE).....	80
Case IH 2166.....	81
Claas Columbus.....	82
Claas Commandor 114.....	83
Claas Commandor 115.....	84
Claas Commandor 116 - 228.....	85
Claas Commandor 116 - 228.....	86
Claas Consul.....	87
Claas Dominator 48.....	88
Claas Dominator 56 - 66.....	89
Claas Dominator 68.....	90
Claas Dominator 76.....	91
Claas Dominator 78.....	92
Claas Dominator 88.....	93
Claas Dominator 80 - 85.....	94
Claas Dominator 86.....	95
Claas Dominator 88 VX.....	96
Claas Dominator 96.....	97
Claas Dominator 98.....	98
Claas Dominator 98 VX.....	99
Claas Dominator 100 - 105.....	100
Claas Dominator 106.....	101
Claas Dominator 108 - 118 HYDR.....	102
Claas Dominator 108 - 118 HYDR.....	103
Claas Dominator 108 - 118 MECH.....	104
Claas Dominator 108 VX.....	105
Claas Dominator 112.....	106
Claas Dominator 114.....	107
Claas Dominator 115.....	108
Claas Dominator 116.....	109
Claas Dominator 128 VX.....	110
Claas Dominator 130 / 140 / 150.....	111
Claas Dominator 204 - 203 MEGA.....	112
Claas Dominator 218 - 208 MEGA.....	113
Claas Europa.....	114
Claas Jaguar 675 HYDRO.....	115
Claas Jaguar 60.....	115
Claas Jaguar 675.....	115
Claas Jaguar 680.....	116
Claas Jaguar 680 HYDRO.....	116
Claas Jaguar 682.....	116
Claas Jaguar 70 SF.....	117
Claas Jaguar 682S - SL.....	118
Claas Jaguar 685 - 690.....	119
Claas Jaguar 695 - 685 SL.....	120
Claas Jaguar 800.....	121
Claas Jaguar 820.....	121
Claas Jaguar 830.....	121
Claas Lexion 670.....	122
Claas Jaguar 840.....	123
Claas Jaguar 850.....	124
Claas Jaguar 870.....	124
Claas Jaguar 890.....	125

Claas Jaguar 900.....	125
Claas Jaguar 880 / 860.....	126
Claas Jaguar 900 - 830.....	127
Claas Jaguar 980 - 950.....	128
Claas Lexion 410 - 405.....	129
Claas Lexion 430 - 410.....	130
Claas Lexion 430 - 415.....	131
Claas Lexion 460 - 440.....	132
Claas Lexion 470 - 470 MONTANA.....	133
Claas Lexion 480.....	134
Claas Lexion 480 II - Lexion 480 II MTS.....	135
Claas Lexion 480 TERRA.....	136
Claas Lexion 510.....	137
Claas Lexion 520 MONTANA.....	138
Claas Lexion 530 - Lexion 530 MONTANA.....	139
Claas Lexion 540 - 550 MONTANA.....	140
Claas Lexion 560 - 560 MONTANA.....	141
Claas Lexion 570 - 570 MONTANA.....	142
Claas Lexion 580.....	143
Claas Lexion 580 R Australia.....	144
Claas Lexion 600.....	145
Claas Matador STD Gigant.....	146
Claas Medion 320 - 310.....	147
Claas Medion 330 - Medion 330 HYDRO.....	148
Claas Medion 340.....	149
Claas MEGA 202 - MEGA 202 II.....	150
Claas MEGA 203.....	151
Claas MEGA 203 II.....	152
Claas MEGA 204.....	153
Claas MEGA 204 II.....	154
Claas MEGA 208 - MEGA 218.....	155
Claas MEGA 208 II - MEGA 218 II.....	156
Claas MEGA 350.....	157
Claas MEGA 360 - MEGA 370.....	158
Claas Mercator.....	159
Claas Mercator 50 - 60.....	160
Claas Mercator 570 - 75.....	161
Claas Mercator STD Gigant.....	162
Claas Mercur.....	163
Claas Protector.....	164
Claas Senator.....	165
Claas Tucano 330 / 320.....	166
Claas Tucano 340.....	167
Claas Tucano 450 / 440 / 430.....	168
Deutz Fahr 3630 - M 3640.....	169
Deutz Fahr M 600.....	170
Deutz Fahr M 660 - M 770.....	171
Deutz Fahr M 750.....	172
Deutz Fahr M 900 - M 922 - M 1002.....	173
Deutz Fahr M 1000 - M 1200.....	174
Deutz Fahr M 1102 - M 1202.....	175
Deutz Fahr M 1300 - M 1302 - 1302 H.....	176
Deutz Fahr M 1600 - M 1620 - M 1630.....	177
Deutz Fahr M 2385.....	178
Deutz Fahr M 2480 - M 2780.....	179
Deutz Fahr M 2480 - M 2780.....	180
Deutz Fahr M 3280.....	181
Deutz Fahr M 3480 - M 3540.....	182
Deutz Fahr M 3570 - M 3578.....	183
Deutz Fahr M 3580.....	184
Deutz Fahr M 3610.....	185
Deutz Fahr POWERLINER 4030 - 4035.....	186

Deutz Fahr STARLINER 4040 -4045.....	187
Deutz Fahr TOPLINER 4060 - 4065.....	188
Deutz Fahr TOPLINER 4070 - 4075 - 4080 - 4090.....	189
Deutz Fahr TOPLINER 8XL.....	190
Deutz Fahr 6040.....	191
Dronningborg D 500 - D 600.....	192
Dronningborg D 900 - D 950 (LEFT).....	193
Dronningborg D 900 - D 950 (RIGHT).....	194
Dronningborg D 1200 - D 1250.....	195
Dronningborg D 1500 - D 1800.....	196
Dronningborg D 1600 - D 1650.....	197
Dronningborg D 1900 (T 27978).....	198
Dronningborg D 2250.....	199
Dronningborg D 2500.....	200
Dronningborg D 2600.....	201
Dronningborg D 3000 S.....	202
Dronningborg D 3000 S (35994).....	203
Dronningborg D 3000 S (F36006).....	204
Dronningborg D 3000 S (T36005).....	205
Dronningborg D 4000 - D 4000 S (F35057-T35832).....	206
Dronningborg D 4000 - D 4000 S (F35833).....	207
Dronningborg D 4000 - D 4000 S (T35056).....	208
Dronningborg D 4500.....	209
Dronningborg D 7000 - D 7000 S.....	210
Dronningborg D 7200.....	211
Dronningborg D 7500.....	212
Dronningborg D 8000 - D 8000 S.....	213
Dronningborg D 8400 - D 8700.....	214
Dronningborg D 8500.....	215
Dronningborg D 8900.....	216
Dronningborg D 9000.....	217
Epple Mobil 840.....	218
Epple Mobil 940.....	219
Epple Mobil 1040.....	220
Epple Mobil 1240.....	221
Fortschritt E 512.....	222
Fortschritt E 514.....	223
Fortschritt E 516 - E 517.....	224
Fortschritt E 527.....	225
John Deere 330 - 430.....	226
John Deere 530 - 630.....	227
John Deere 730.....	228
John Deere 930 - 940.....	229
John Deere 950 - 960 - 970.....	230
John Deere 952.....	231
John Deere 955.....	232
John Deere 965 - 965H - 985H.....	233
John Deere 985 - 985 HY/4.....	234
John Deere 1032 - 1042 - 1052.....	235
John Deere 1055.....	236
John Deere 1065, 1068H.....	237
John Deere 1072 - 1075 - 1075 HYDRO 4.....	238
John Deere 1085 - 1085 HYDRO 4.....	239
John Deere 1155 - 1157 -1158.....	240
John Deere 1166 - 1166HY/4.....	241
John Deere 1169 - 1169 HYDRO 4.....	242
John Deere 1170.....	243
John Deere 1174 - 1174 HYDRO 4.....	244
John Deere 1177 - 1177 HYDRO 4.....	245
John Deere 1188 - 1188 HYDRO 4.....	246
John Deere 1450AL / 1450CW / 1550CW.....	247
John Deere 1470.....	248

John Deere 1570.....	249
John Deere 2054 - 2056 - 2058.....	250
John Deere 2054 - 2056 - 2058.....	251
John Deere 2064 - 2066.....	252
John Deere 2064 - 2066.....	253
John Deere 2254 - 2256 - 2258.....	254
John Deere 2264 - 2266.....	255
John Deere 3300 Combine.....	256
John Deere 4400.....	257
John Deere 4420.....	258
John Deere 4425.....	259
John Deere 4435 - 4435 HYDRO.....	260
John Deere 6600.....	261
John Deere 6600.....	262
John Deere 6600 SIDEHILL.....	263
John Deere 6602.....	264
John Deere 6602 Hillside Combine.....	265
John Deere 6602 Hillside Combine.....	266
John Deere 6610 - 6710 - 6810 - 6910.....	267
John Deere 6620.....	268
John Deere 6620.....	269
John Deere 6622.....	270
John Deere 7700.....	271
John Deere 7700.....	272
John Deere 7720.....	273
John Deere 7720.....	274
John Deere 7721.....	275
John Deere 7722.....	276
John Deere 8820.....	277
John Deere 9400.....	278
John Deere 9500.....	279
John Deere 9501 Pull-type Combine.....	280
John Deere 9540 - 9560 - 9580 (EUROPE).....	281
John Deere 9540 WTS, 9560 WTS, 9540i WTS, 9560i WTS, 9580i WTS.....	282
John Deere 9560, 9560 SH North American Edition.....	283
John Deere 9560 STS North American Edition - 9560i STS European Edition.....	284
John Deere 9570 STS (North American - South American Edition).....	285
John Deere 9600.....	286
John Deere 9600.....	287
John Deere 9640WTS-9660WTS-9680WTS-9640iWTS-9680iWTS (Worldwide).....	288
John Deere 9650 Self-Propelled Combine.....	289
John Deere 9650 CTS Self-Propelled Combine.....	290
John Deere 9650 STS - 9750 STS.....	291
John Deere 9660 CTS Self-Propelled Combine.....	292
John Deere 9660 STS - 9760 STS Self-Propelled Combine.....	293
John Deere 9770 STS Worldwide - 9770 STS South American.....	294
John Deere 9860 STS Self-Propelled Combine.....	295
John Deere 9870 STS Self-Propelled Combine.....	296
John Deere 9880 STS.....	297
John Deere 9900.....	298
John Deere 9910.....	298
John Deere 9920.....	298
John Deere 9930.....	299
John Deere 9935.....	299
John Deere 9940.....	299
John Deere 9950.....	300
John Deere 9960.....	300
John Deere 9970.....	300
John Deere 9976.....	301
John Deere 9980.....	302
John Deere C670.....	303
John Deere CTS (EUROPE).....	304

John Deere CTS (USA).....	305
John Deere CTS 2 (EUROPE).....	306
John Deere S550 STS Worldwide Edition.....	307
John Deere S560.....	308
John Deere S660.....	309
John Deere S660 STS Self Propelled Combine.....	310
John Deere S670 - S670 STS - S670 HM - S670 Hillmaster.....	311
John Deere S690 (European Ed. MY 2014); S690 STS; S690 Hillmaster; S690 HM.....	312
John Deere S690 European (s.n -745100) - S690 Hillmaster (s.n.-745100).....	313
John Deere T550 / T560.....	314
John Deere T550 / T560.....	315
John Deere T660 / T670.....	316
John Deere T660 / T670.....	317
John Deere W540 / W550.....	318
John Deere W650 / W660.....	319
Laverda 3200.....	320
Laverda 3300.....	321
Laverda 3300 AL.....	322
Laverda 3350 (EX AL 112).....	323
Laverda 3350 (EXM 112).....	324
Laverda 3450 (EX AL 132).....	325
Laverda 3700.....	326
Laverda 3900.....	327
Laverda M 84.....	328
Laverda M 90.....	329
Massey Ferguson 20.....	330
Massey Ferguson 24.....	331
Massey Ferguson 86 - 87 OLD.....	332
Massey Ferguson 86 (F).....	333
Massey Ferguson 87 (F).....	334
Massey Ferguson 186 (F).....	335
Massey Ferguson 186 OLD.....	336
Massey Ferguson 187.....	337
Massey Ferguson 206.....	338
Massey Ferguson 206 OLD.....	339
Massey Ferguson 240.....	340
Massey Ferguson 300.....	341
Massey Ferguson 307.....	342
Massey Ferguson 307 OLD.....	343
Massey Ferguson 3640.....	344
Massey Ferguson 400.....	345
Massey Ferguson 400 - 500 Old.....	346
Massey Ferguson 410 - 415.....	347
Massey Ferguson 410 - 415 - 510 - 515 OLD.....	348
Massey Ferguson 440.....	349
Massey Ferguson 487 - 506 - 507.....	350
Massey Ferguson 487 OLD.....	351
Massey Ferguson 500.....	352
Massey Ferguson 506 OLD.....	353
Massey Ferguson 507 OLD.....	354
Massey Ferguson 510 - 515.....	355
Massey Ferguson 520 - 525 - 620 - 625.....	356
Massey Ferguson 520 - 525 - 620 - 625 OLD.....	357
Massey Ferguson 530 - 535.....	358
Massey Ferguson 530S - 560 - 565 - 660 - 665.....	359
Massey Ferguson 540.....	360
Massey Ferguson 550.....	361
Massey Ferguson 630 - 630S OLD.....	362
Massey Ferguson 685 - 685S OLD.....	363
Massey Ferguson 750 - 755.....	364
Massey Ferguson 750 - 755.....	365
Massey Ferguson 750 OLD.....	366

Massey Ferguson 760 - 765.....	367
Massey Ferguson 760 - 765.....	368
Massey Ferguson 760 OLD.....	369
Massey Ferguson 850 - 855.....	370
Massey Ferguson 860 - 865.....	371
Massey Ferguson 890 - 890S - 892 OLD.....	372
Massey Ferguson 8560.....	373
Massey Ferguson 8570.....	374
Massey Ferguson 8590.....	375
Massey Ferguson 9720.....	376
Massey Ferguson Swather 885.....	377
Massey Ferguson MF 27.....	378
Massey Ferguson MF 29.....	379
Massey Ferguson MF 30 - MF 32.....	380
Massey Ferguson MF 31.....	381
Massey Ferguson MF 38.....	382
Massey Ferguson 8560 - 8570 - 8780 - 8780XP.....	383
Massey Ferguson 8560 - 8570 - 8780 - 8780XP.....	384
Massey Ferguson 9690 - 9695 - 9790 - 9795 - 9895.....	385
Massey Ferguson 9690 - 9695 - 9790 - 9795 - 9895.....	386
New Holland 1890.....	387
New Holland 1900.....	388
New Holland 1915.....	389
New Holland 2100.....	390
New Holland 2115.....	391
New Holland FR450 - FR500 - FR600 - FR700 - FR850.....	392
New Holland FR9040 - FR950 - FR9060 - FR9080 - FR9090.....	393
New Holland FX28 - FX38 - FX48 - FX58.....	394
New Holland FX30 - FX40 - FX50 - FX60.....	395
New Holland 1905 - 2205 - 2305.....	396
New Holland 9630 - 9640 - 9645.....	396
New Holland 708 PULL TYPE.....	397
New Holland 719 - 819 PULL TYPE.....	397
New Holland 525 PULL TYPE.....	397
New Holland 550 PULL TYPE.....	398
New Holland 400 PULL TYPE.....	398
New Holland 339 - 342 PULL TYPE.....	398
New Holland 1520.....	399
New Holland 1530.....	400
New Holland 1540 - 1540 AL.....	401
New Holland 1545.....	402
New Holland 1550.....	403
New Holland 8030.....	404
New Holland 8040.....	405
New Holland 8050.....	406
New Holland 8055.....	407
New Holland 8060.....	408
New Holland 8070.....	409
New Holland 8080.....	410
New Holland 9630 - 9640 - 9645.....	411
New Holland FX 300 - FX 375 - FX 450.....	412
New Holland M 103.....	413
New Holland M 80.....	414
New Holland M 89.....	415
New Holland M 122.....	416
New Holland M 133 - M 135 - M 140.....	417
New Holland Swather 1112 - 1114.....	418
New Holland CR 6090 - CR 7090 - CR 8080 - CR 8090.....	419
New Holland CR 6090 - CR 7090 - CR 8080 - CR 8090.....	420
New Holland CR 9040 - CR 9060 - CR 9065 - CR 9070.....	421
New Holland CR 9070 ELEVATION - CR 9080 ELEVATION.....	422
New Holland CR 9070 ELEVATION - CR 9080 ELEVATION.....	423

New Holland CR 9080.....	424
New Holland CR 9080 TR3 .....	425
New Holland CR 9080 TR3 .....	426
New Holland CR 9080 TR3 .....	427
New Holland CR 9090 Elevation .....	428
New Holland CR 9090 Elevation .....	429
New Holland CR 9090 Elevation .....	430
New Holland CR 9090 G4 .....	431
New Holland CR 9090 G4 .....	432
New Holland CR 9090 G4 .....	433
New Holland CR 9090 TIER 3 .....	434
New Holland CR 9090 TIER 3 .....	435
New Holland CR 9090 TIER 4 .....	436
New Holland CR 9090 TIER 4 .....	437
New Holland CR 9090 TIER 4 .....	438
New Holland CR 960 .....	438
New Holland CR 980 .....	439
New Holland CS 520.....	439
New Holland CS 540.....	440
New Holland CS 6070.....	440
New Holland CS 6080.....	441
New Holland CS 6090.....	441
New Holland CSX 7060.....	442
New Holland CSX 7080.....	442
New Holland CX 720 .....	443
New Holland CX 740 .....	443
New Holland CX 760 .....	444
New Holland CX 780 .....	444
New Holland CX 8030 .....	445
New Holland CX 8040 .....	445
New Holland CX 8050 .....	446
New Holland CX 8060 .....	446
New Holland CX 840 - CX 860 - CX 880.....	447
New Holland T 75 - TR 85 .....	448
New Holland TR87.....	449
New Holland TR 88.....	450
New Holland TR 89 - TR 99 .....	451
New Holland TC-52 TC-54 TC-56 .....	452
New Holland TC-57 .....	453
New Holland TF-42 TF-44 .....	454
New Holland TF 46 .....	455
New Holland TF 76 .....	455
New Holland TF 78 .....	456
New Holland TR-70 .....	457
New Holland TR-75 .....	458
New Holland TR-85 .....	459
New Holland TR-86 .....	460
New Holland TR-95 .....	461
New Holland TR-96 .....	462
New Holland TR-97 .....	463
New Holland TR-98 .....	464
New Holland TX-30.....	465
New Holland TX-32.....	466
New Holland TX-34.....	467
New Holland TX-36.....	468
New Holland TX-62 TX-63 TX-64 TX-65 TX-66 TX-67 TX-68.....	469
New Holland TX-62 TX-63 TX-64 TX-65 TX-66 TX-67 TX-68.....	470
New Holland CX8070 .....	471
New Holland CX8070 .....	472
New Holland CX8070 A3 - CX8070 A4.....	473
New Holland CX8070 A3 - CX8070 A4.....	474
New Holland CX8080 .....	475

New Holland CX8080 .....	476
New Holland CX8080 A3 - CX8080 A4.....	477
New Holland CX8080 A3 - CX8080 A4.....	478
New Holland CX8080 A4 ELEVATION.....	479
New Holland CX8080 A4 ELEVATION.....	480
New Holland CX8090 .....	481
New Holland CX8090 .....	482
New Holland CX8090 A4 .....	483
New Holland CX8090 A4 .....	484
New Holland CX8090 A4 ELEVATION.....	485
New Holland CX8090 A4 ELEVATION.....	486
New Holland TC 5040.....	487
New Holland TC 5040.....	488
Sampo Rosenlew SR 2010 .....	489
Sampo Rosenlew COMIA C4 C6 C8 up to number 561550.....	490
Sampo Rosenlew COMIA C4 C6 C8 starting from number 561551 .....	491
Sampo Rosenlew COMIA C10 C12.....	492
Sampo Rosenlew KINCAID .....	493
Sampo Rosenlew SR 500 .....	494
Sampo Rosenlew SR 2020 / SR 2025 .....	495
Sampo Rosenlew SR 310-360 .....	496
Sampo Rosenlew SR 410-460 .....	497
Sampo Rosenlew SR 580 .....	498
Sampo Rosenlew SR 600-650 .....	499
Sampo Rosenlew SR 680-690 .....	500
Sampo Rosenlew 2045 2050 2055 2060 2065 up to 1995 MEC, HYDR.....	501
Sampo Rosenlew 2035 2045 2055 2065 years 1996-2002 MEC, HYDR.....	502
Sampo Rosenlew 2035 2045 2065 2085 2095 XLS .....	503
Sampo Rosenlew 2035 2045 2065 2085 2095 XL up to series no 555421 .....	504
Sampo Rosenlew 2035 2045 2065 2085 2095 TS.....	505
Sampo Rosenlew 2035 2045 2065 2085 2095 XL starting from series no 555422 .....	506
Sampo Rosenlew 3065 3085 .....	507
Sampo Rosenlew 3065 3085 TS.....	508
Sampo Rosenlew SR 2025 .....	509
Sampo Rosenlew SR 2045 - SR 2060 .....	510
Semanatoarea 140.....	511
Semanatoarea C 12 M.....	512
Semanatoarea C 14 M.....	513
Semanatoarea C 14 U .....	514
Semanatoarea C 80.....	515
Semanatoarea C 110.....	516
Semanatoarea C 80.....	517
Krone BIG X 500.....	518
Krone BIG X 650.....	518
Krone BIG X 700.....	519
Krone BIG X 800 /1000 .....	519
Krone BIG X 850 / 1100 .....	519
Krone BIG X V8 .....	520
Krone BIG X V12.....	520
Notebook / Notatnik .....	521
Notebook / Notatnik .....	522
Notebook / Notatnik .....	522
Notebook / Notatnik .....	523
Notebook / Notatnik .....	524



## Sanok Rubber Company Spółka Akcyjna – wieloletnie doświadczenie

Sanok Rubber Company Spółka Akcyjna (Sanok RC S.A.) posiada ponad 80-letnie doświadczenie w dziedzinie technologii wytwarzania wyrobów gumowych. Firma jest kontynuatorem tradycji STOMIL SANOK S.A. i produkuje techniczne wyroby gumowe dla wielu gałęzi przemysłu. Wśród wyrobów produkowanych przez Sanok RC S.A. istotne miejsce zajmują pasy klinowe, które spełniają wymagania przemysłu maszynowego, maszyn rolniczych i wielu innych zastosowań. Ich produkcja trwa od ponad 40 lat, a sam proces wytwarzania podlega ciągłej modernizacji. Stosowanie systemu zapewnienia jakości zgodnego z ISO 9001 gwarantuje uzyskanie stabilnej, wysokiej jakości produktu.

### Harvest Belts®: optymalne rozwiązanie

Linia pasów Harvest Belts® produkcji Sanok RC S.A. do kombajnów i siewkarni samojezdnych została stworzona w celu zaspokojenia wymagań użytkowników maszyn rolniczych, oczekujących niezawodnych pasów o wysokiej jakości, odpowiednio dobranych do przekładni. Dzięki indywidualnym konstrukcjom pasy Harvest Belts® stanowią alternatywę do oryginalnych pasów montowanych w napędach maszyn rolniczych. Podczas projektowania Harvest Belts® warunki pracy pasów są wnikliwie analizowane. Nowatorskie, indywidualne podejście pozwala zastosować pas optymalnie dobrany do wymagań przekładni, który zapewnia długą i bezawaryjną pracę. Takie rozwiązanie zmniejsza ryzyko przestoju w pracy, zwiększając dzięki temu wydajność maszyn rolniczych.

## Sanok Rubber Company Spółka Akcyjna – many years of experience

Sanok Rubber Company Spółka Akcyjna (Sanok RC S.A.) has over 80 years experience in rubber products manufacturing technology. The firm continue to uphold tradition of STOMIL SANOK S.A. and produces many technical rubber products dedicated to different industry branches. Important place among Sanok RC S.A. products belongs to V-belts which comply with requirements of machine-building industry, agricultural machinery and many others applications. The V-belts production has been going on for more than 40 years and the production process is being continuously modernized. The premium quality and repeatability of products are guaranteed by quality assurance system complying with ISO 9001.

### Harvest Belts®: optimal solution

Harvest Belts® produced by Sanok RC S.A. for combine harvesters and self-propelled forage harvesters were designed to meet expectations of agricultural machinery users, who look for reliable, high quality V-belts, suitably matched to drives. Thanks to individually designed constructions, Harvest Belts® are an alternative choice to genuine V-belts assembled in agricultural machinery drives. While designing Harvest Belts® working conditions of every V-belt are carefully checked. Innovative, individual approach ensures long and trouble-free work by applying the most accurate V-belt to drive. Such solution reduces downtime risk and thus increases the efficiency of agricultural machinery.

## Zasady prawidłowej eksploatacji:

## 1. Czynniki wpływające na trwałość pasa

- Naciąg pasów.**  
Do prawidłowego przenoszenia mocy i osiągnięcia założonej żywotności pasów wymagane jest odpowiednie napięcie pasów i okresowa jego kontrola (zgodne z zaleceniami producenta maszyny). Zbyt mały naciąg powoduje nadmierne poślizg pasów na kole pasowym, zbyt duży – może spowodować nadmierne grzanie się łożysk w maszynie napędowej lub napędzanej. W czasie transportu i przechowywania maszyn zaleca się zmniejszenie naciągu pasów.
- Ilość pasów w zespole.**  
Jeśli liczba pasów w zespole maleje, żywotność pozostałych pasów zmniejsza się nieproporcjonalnie. Jeżeli dla przykładu: według obliczeń napęd wymaga użycia 10-ciu pasów, i jeśli jeden pas usuniemy, żywotność pozostałych pasów zmniejszy się nie o 10%, ale o 30%.
- Łączenie pasów w zespoły pasowe.**  
W napędach wielopasowych, dla zapewnienia porównywalnego naprężenia każdego pojedynczego pasa, należy stosować wyłącznie pasy kompletowane według wymaganej tolerancji długości lub z nadrukiem „L=L”. W przypadku uszkodzenia jednego z pasów należy wymienić cały zespół pasów. Nie należy łączyć pasów różnych producentów w zespół pasów. Nie wolno, na koła dla zespołów pasów pojedynczych, stosować pasów zespolonych.
- Czystość.**  
Oleje i smary chemicznie oddziałują na pas powodując szybkie jego zniszczenie. Drobne zanieczyszczenia typu proch i piasek powodują szybsze się ścieranie powierzchni bocznych pasa i koła. Duże zanieczyszczenia typu drobne kamienie mogą spowodować uszkodzenie (wyszczerbienie) koła pasowego lub zerwanie pasa. Szczegółnej ochrony przed zanieczyszczeniami wymagają pasy zespolone. Przekładnia powinna być osłonięta i nienarażona na bezpośredni wpływ warunków atmosferycznych.

## 2. Zasady prawidłowej eksploatacji przekładni z pasami klinowym

- Rowki kół pasowych powinny być czyste, bez uszkodzeń i substancji zabezpieczających przed korozją. Niedopuszczalne jest aby pas stykał się z dnem rowka koła pasowego,
- Wcześniejsza wymiana uszkodzonych (zużytych) kół pasowych zapobiega niespodziewanym awariom pasa i przekładni,
- Pasy należy zakładać ręcznie i przy najmniejszym rozstawie kół rowkowych; niedopuszczalne jest używanie jakichkolwiek narzędzi pomocniczych,
- Po dokładnym ustawieniu pasów w rowkach należy wyregulować wstępnie naciąg; następnie uruchomić przekładnię bez obciążenia na krótki okres czasu, zatrzymać i ponownie skorygować naciąg,
- Naciąg pasów w warunkach normalnej pracy należy okresowo sprawdzać i regulować,
- W przekładniach wielopasowych należy stosować wyłącznie zespoły pasowe złożone z pasów specjalnie kompletowanych wg wymaganej tolerancji długości lub z nadrukiem „L=L”,
- Przy uszkodzeniu jednego z pasów w zespole pasowym należy wymienić cały zespół pasów.

## 3. Charakterystyczne uszkodzenia przekładni z pasami klinowymi i ich przyczyny

Rodzaj uszkodzenia	Prawdopodobne przyczyny
1) Zerwanie pasa po krótkim okresie pracy	- naderwanie pasa przy nakładaniu go na koło pasowe - zablokowanie napędu wskutek awarii maszyny napędzanej, lub dostanie się do napędu obcych ciał
2) Jednostronne zużycie pasa na powierzchni bocznej	- zbyt duża nierównoległość osi kół pasowych
3) Wcześniejsze zużycie powierzchni bocznych na całej długości pasa	- zbyt małe naprężenie pasa - przeciążona przekładnia przy rozruchu - nieprawidłowy kąt lub nadmierne zużycie rowka koła pasowego - zbyt częste występowanie krótkotrwałych przeciążeń przekładni np. wskutek awarii maszyny napędzanej, - zbyt mała ilość pasów - brak prostoliniowości w ustawieniu kół pasowych - powierzchnia rowków o zbyt dużej chropowatości
4) Miejscowe starcie powierzchni bocznych.	- za małe naprężenie pasa - blokowanie koła maszyny napędzanej np: wskutek uszkodzenia łożysk
5) Wyżłobienia powierzchni bocznej na całej długości pasa.	- tarcie pasa o wystająca część maszyny - praca pasa w schodkowo zużytym rowku koła pasowego - wadliwy profil rowka
6) Poprzeczne pęknięcie pasa na spodniej stronie	- zastosowanie zewnętrznej rolki napinającej zamiast wewnętrznej - zbyt mała średnica rolki napinającej - nadmierna lub zbyt niska temperatura pracy - zbyt duży poślizg - wpływy chemiczne - nadmierne naprężenie pasa
7) Stwardnienia i pęknięcia owijki.	- silne oddziaływanie kurzu - zbyt duża temperatura otoczenia - oddziaływanie chemikaliów
8) Odklejanie się tkaniny owijkowej i objawy spęczenia gumy.	- skutek długotrwałego oddziaływania na pas oleju, smaru lub innych chemikaliów
9) Silne drgania.	- rozstaw osi znacznie większy niż zalecano - duże obciążenie uderzeniowe - zbyt małe naprężenie pasa - niewyważone koła rowkowe - przeciążony napęd - nieprawidłowy kąt rowka
10) Skręcanie się pasów.	- brak prostoliniowości w ustawieniu kół - niewłaściwy profil pasa lub rowka - nadmierne drgania - zbyt małe naprężenie pasa - przedostanie się obcych ciał do rowków - przeciążony napęd
11) Spadanie pasów z kół po krótkim okresie pracy	- zbyt małe naprężenie pasa - za mała częstotliwość kontroli i regulacji naprężenia pasa
12) Nierównomierne naciąganie się pasów	- wadliwe rowki kół - użycie pasów nie kompletowanych w zespół pasów lub bez nadruku „L=L” - uzupełnienie w zestawie części pasów zużytych pasami nowymi - złożenie zestawu z pasów różnych producentów
13) Nadmierne grzanie się łożysk.	- niewyważone koła rowkowe - łożyska nie są nasmarowane
14) Zmniejszenie się prędkości koła napędzanego.	- za mały naciąg

## Rules of proper maintenance

### 1. Factors influencing belt durability

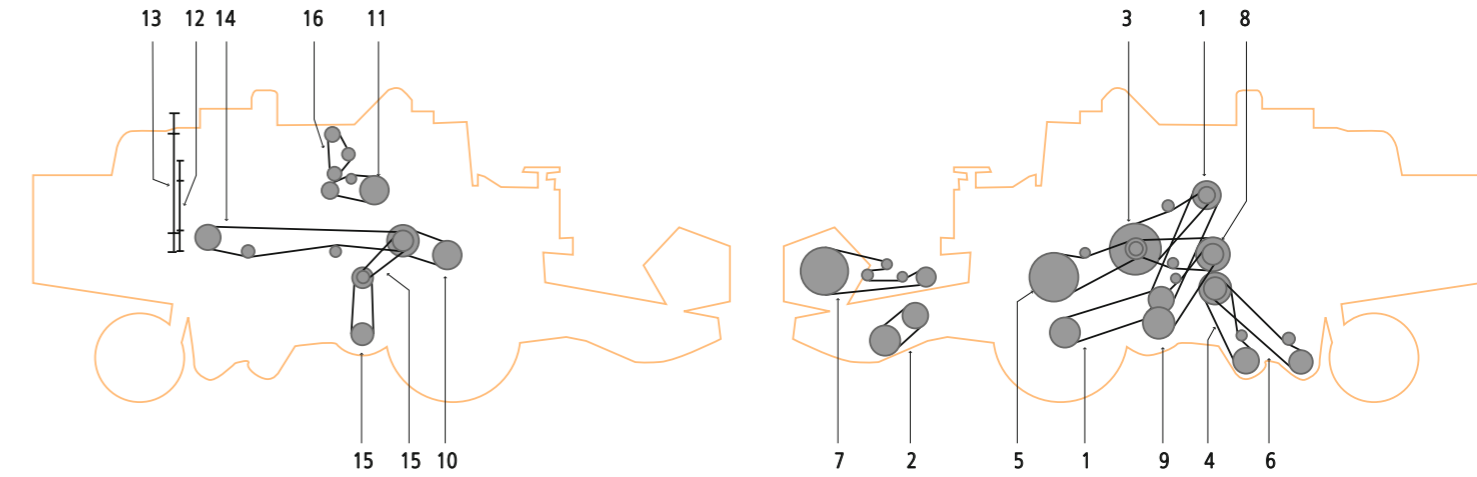
- **Belts tension.**  
For proper drive transferring and for reaching required belts durability it is necessary to provide correct tension and temporary control of the belt (according to machinery manufacturer's advices). Too small tension causes excessive belts slippage at belt pulley; too big tension – can cause excessive warming of bearings in propulsion machinery and driven machinery. During machines transportation and during storage is required to lower belts tension.
- **Number of belts in one set.**  
If the number of belts in one set decrease, lifetime of remain belts lowers disproportionately. If for example: according to calculations drive requires usage of 10 belts, and if one belt will be removed, lifetime of remain belts decreases not by 10% but by 30%.
- **Belts completed in sets.**  
In multibelt drives, to ensure comparable tension of each single belt is necessary to use belts completed in sets with respect to length tolerance or with "L=L" marks. In case of damage of one belt is necessary to exchange whole belt set. Belts of different producers should not be joined in one belt set. Powerbands must not be used at single belts pulleys.
- **Cleanliness.**  
Oils and lubricants affect at belt causing its quick destruction. Minor pollutions like dust and sand cause quicker wear of sidewalls of belt and pulley. Big pollutions like stones can cause destruction (snagging) of pulley or broke belt. Especially powerbands require careful protection against pollution. Belt gearing should be screened and protected from direct influence of environmental conditions.

### 2. Good maintenance of a belt drive

- Grooves of pulley must be clean, without any damages and rust protective substances. Belt cannot be in contact with pulley by its bottom surface.
- Earlier exchange of broken (used-up) pulleys protect from unexpected failures of belts and gearing.
- Belts should be mounted manually and while least groove pulleys spacing; using any auxiliary tools is forbidden.
- After exact belts setting inside their grooves, tension should be preliminary adjusted; then gearing should be run for a while without load, stop and then re-tension.
- Tension of belts during normal operation should be periodically checked and adjusted.
- In multi-belts gearings only belt sets should be used which consist of specially completed belts in accordance to required length tolerance or with "L=L" marking.
- While one of belts in set is broken, whole belt set must be replaced by new one.

### 3. Typical failures of V-belts and their reasons

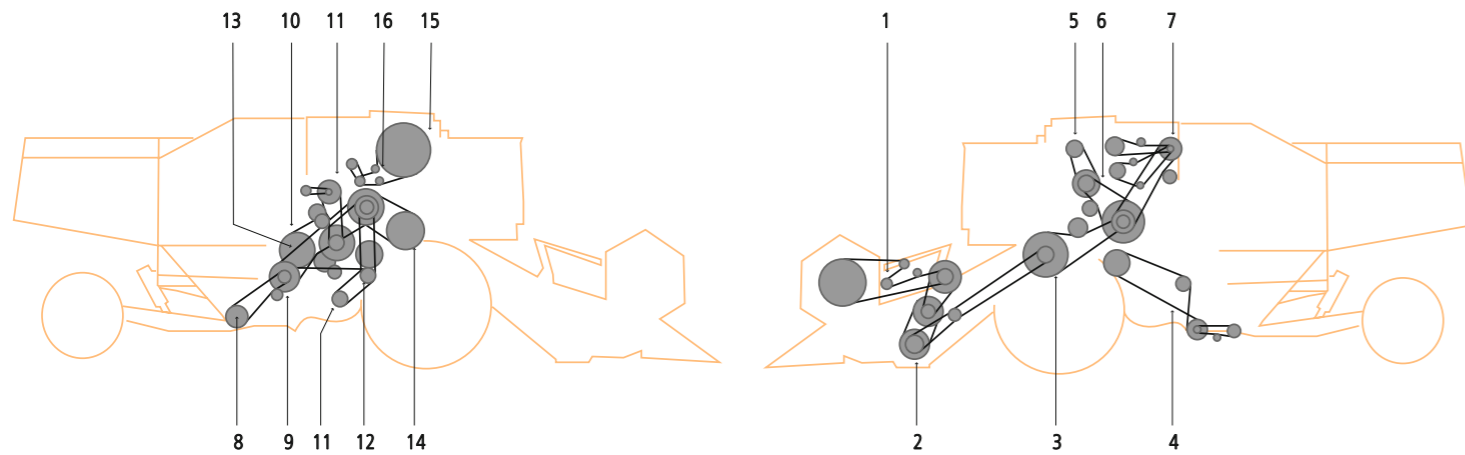
Type of failure	Probable reasons
1) Belt rupture after short period of operation	- belt tearing during mounting on pulley - drive blockage with respect to failure of driven machine or foreign body entrapped inside the drive
2) One-side wear of belt at its sidewall	- too big not-parallelism of belt pulleys axis
3) Earlier wear of side surfaces at whole length of belts	- too small belt tension - drive overload while start - improper angle or excessive wear of groove of pulley - too often short-term overloads of gearing eg. failure of driving machine - too small number of belts - lack of parallelism of belt pulleys setting - surface of grooves possess to big roughness
4) Local wear of side surfaces	- too small belt tension - blockage of driven machine pulley eg. with respect to bearing failure
5) Grooves at side surface at whole belt length	- rubbing against part of a machine - belt works in used-up groove of pulley - improper groove cross-section
6) Transversal belt breakage at the bottom side	- usage of external tension roller instead of internal - too small diameter of tension roller - excessive or too small temperature while working - too big slippage - chemical influences - excessive belt tension
7) Indurations and ruptures of a wrapping	- strong influence of dust - too big ambient temperature - influence of chemicals
8) Detachment of wrapping and symptoms of rubber swollen	- reason of long-term influence of oil, grease or other chemicals at a belt
9) Strong vibration	- base of axle bigger then is recommended - big shock load - too small belt tension - non balanced grooved pulleys - overloaded drive - angle of groove is not correct
10) Twisting of belts	- lack of coaxiality in pulleys setting - incorrect belt section or groove profile - excessive vibration - too small belt tension - penetration of foreign material into grooves - overloaded drive
11) Falling of belts from pulleys after short period of operation	- too small belt tension - too small frequency of control and adjustment of belt tension
12) Uneven belts stretching	- faulty belts grooves - applied belts do not complete in a set of belts or without "L=L" - a few belts from a belt set were replaced by new ones - set of belts composed of belts from different producers
13) Excessive warming of bearings	- grooved pulleys not balanced - bearings are not lubricated
14) Lowering of speed of driven pulley	- too small tension



ITEM / POZYCJA	APPLICATION	OPIS	QUANTITY OF V-BELTS IN DRIVE / ILOŚĆ PASÓW W ZESPOLE	OE PART NUMBER / NUMER KATALOGOWY	COMMENT / UWAGI
1	REEL CONTROL	MOTOWIDŁO	1	A30103	
2	REEL VARIATOR	NAPĘD MOTOWIDŁA	1	A30094	
3	PLATFORM CONTROL	NAPĘD PRZENOŚNIKA	1	A48828	
4	CROSS AUGER	NAPĘD ŚLIMAKA	1	A51210	
5	HULLER	NAPĘD ŁUSZCZARKI	1	A48827	
6	THRESHING DRIVE	NAPĘD MŁOCARNI	1	A52702	
7	TANK UNLOADER	WYSYP ZBOŻA	1	A51148	
8	TANK UNLOADER	WYSYP ZBOŻA	1	A51163	
9	VENTILATOR	WENTYLATOR	1	A48817	
10	VENTILATOR	WENTYLATOR	1	A48818	
11	STRAW WALKER DRIVE	NAPĘD WYTRZĄSACZY	1	A51197	
12	BEATER VARIATOR	NAPĘD MŁOCARNI	1	A41225	X
13	AIR INTAKE DRIVE	WENTYLATOR	1	A54293	
14	AIR INTAKE CONTROL	WENTYLATOR	1	A54294	
15	AUGER DRIVE	NAPĘD ŚLIMAKA	1	A51151	
16	HYDRAULIC PUMP	POMPA HYDRAULICZNA	1	A55405	

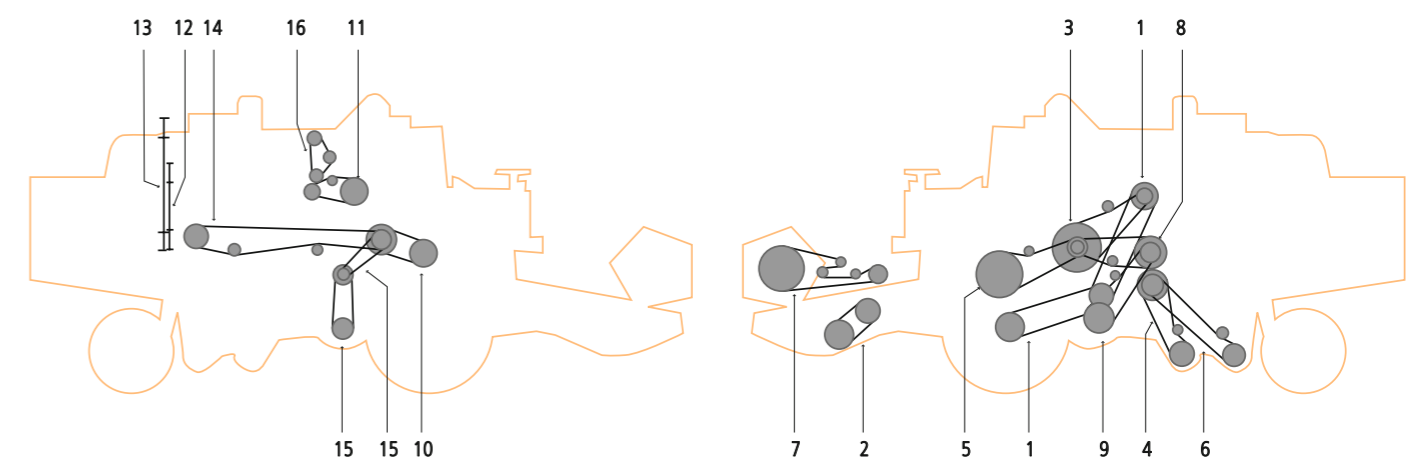
X - not in standard offer / brak w standardowej ofercie





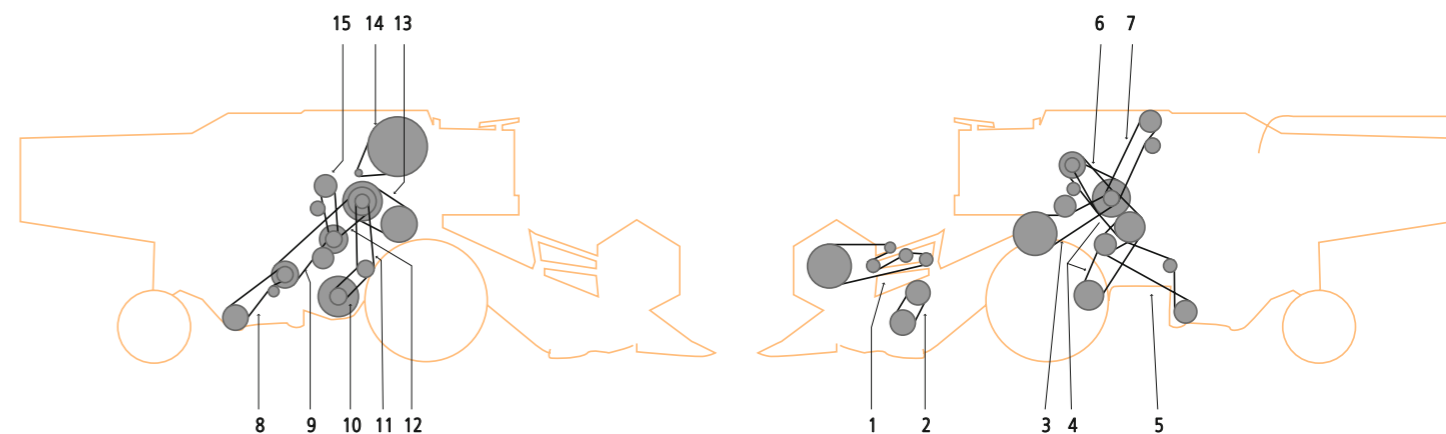
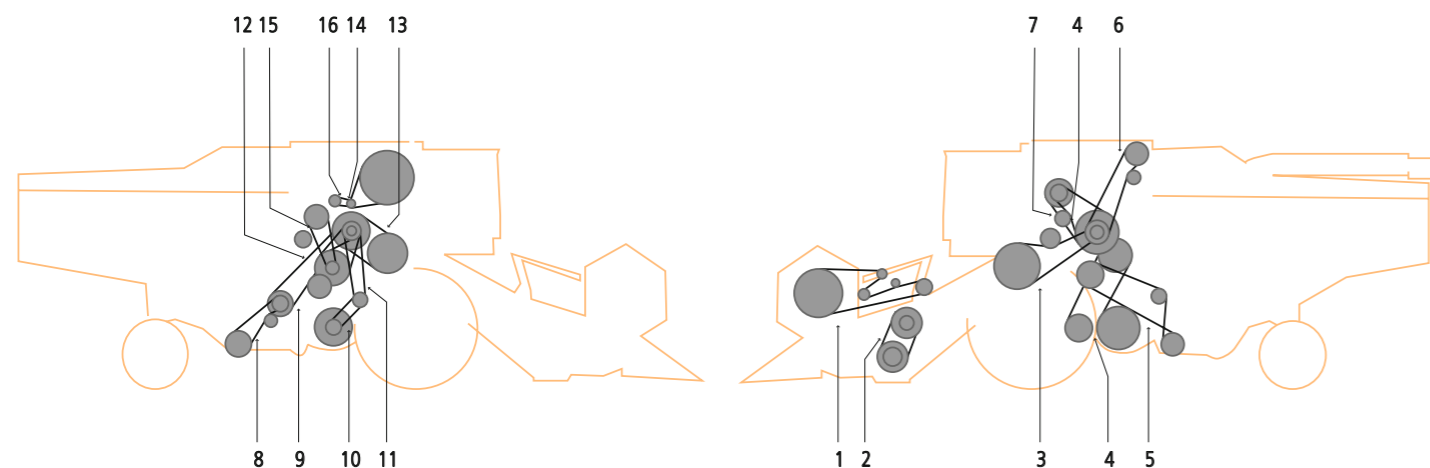
ITEM / POZYCJA	APPLICATION	OPIS	QUANTITY OF V-BELTS IN DRIVE / ILOŚĆ PASÓW W ZESPOLE	OE PART NUMBER / NUMER KATALOGOWY	COMMENT / UWAGI
1	REEL	MOTOWIDŁO	1	A30103	
2	REEL VARIATOR	NAPĘD MOTOWIDŁA	1	A30094	
3	PLATFORM	NAPĘD PRZENOŚNIKA	1	A52772	
4	AUGER DRIVE	NAPĘD ŚLIMAKA	1	A52771	
5	HYDRAULIC PUMP	POMPA HYDRAULICZNA	1	A55405	
6	THRESHING DRIVE	NAPĘD MŁOCARNI	1	A52702	
7	HULLER	NAPĘD ŁUSZCZARKI	1	A57674	
8	UNLOADER AUGER DRIVE	NAPĘD ŚLIMAKA WYSYPU ZBIORNIKA	1	A51148	
9	UNLOADING SYSTEM	SYSTEM ROZŁADUNKU	1	A52700	
10	STRAW WALKER	WYTRZĄSACZ	1	A61083	
11	VENTILATOR	WENTYLATOR	2	A52733	
12	VENTILATOR	WENTYLATOR	1	A48818	
13	STRAW WALKER DRIVE	NAPĘD WYTRZĄSACZY	1	A51197	
14	BEATER VARIATOR	NAPĘD MŁOCARNI	1	A41225	X
15	AIR COMPRESSOR	NAPĘD KOMPRESORA	1	A54294	
16	AIR INTAKE DRIVE	WENTYLATOR	1	A58630	
17	TANK LOADER	NAPĘD ZESPOŁU ZAŁADUNKU	1	A52732	

X - not in standard offer / brak w standardowej ofercie



ITEM / POZYCJA	APPLICATION	OPIS	QUANTITY OF V-BELTS IN DRIVE / ILOŚĆ PASÓW W ZESPOLE	OE PART NUMBER / NUMER KATALOGOWY	COMMENT / UWAGI
1	FEED VARIATOR	NAPĘD WARIATOROWY PRZENOŚNIKA	2	15535	X
2	REEL VARIATOR	NAPĘD MOTOWIDŁA	1	A30094	
3	THRESHING DRIVE	NAPĘD MŁOCARNI	1	A30095	X
4	BAGGER WITH SILOS	NAPĘD WOKOWNICY	1	A30098	
5	PLATFORM	NAPĘD PRZENOŚNIKA	1	A30104	
6	RETURNS	ELEWATOR KŁOSOWY	1	A30104	
7	REEL	MOTOWIDŁO	1	A37240	
8	STRAW WALKER DRIVE	NAPĘD WYTRZĄSACZY	1	A33379	
9	CHOPPER DRIVE	NAPĘD SIECZKARNI	1	A33384	
11	TANK UNLOADER	WYSYP ZBOŻA	1	A33380	
12	CLEANING FAN DRIVE	NAPĘD WIALNI CZYSZCZĄCEJ	1	A33381	
13	HULLER, SOFT WHEAT	NAPĘD ŁUSZCZARKI	1	A33382	
13	HULLER, HARD WHEAT	NAPĘD ŁUSZCZARKI	1	A33409	
14	CLEANING FAN DRIVE	NAPĘD WIALNI CZYSZCZĄCEJ	1	A33383	
15	VENTILATOR	WENTYLATOR	1	A33386	
16	ALTERNATOR DRIVE	NAPĘD ALTERNATORA	1		

X - not in standard offer / brak w standardowej ofercie

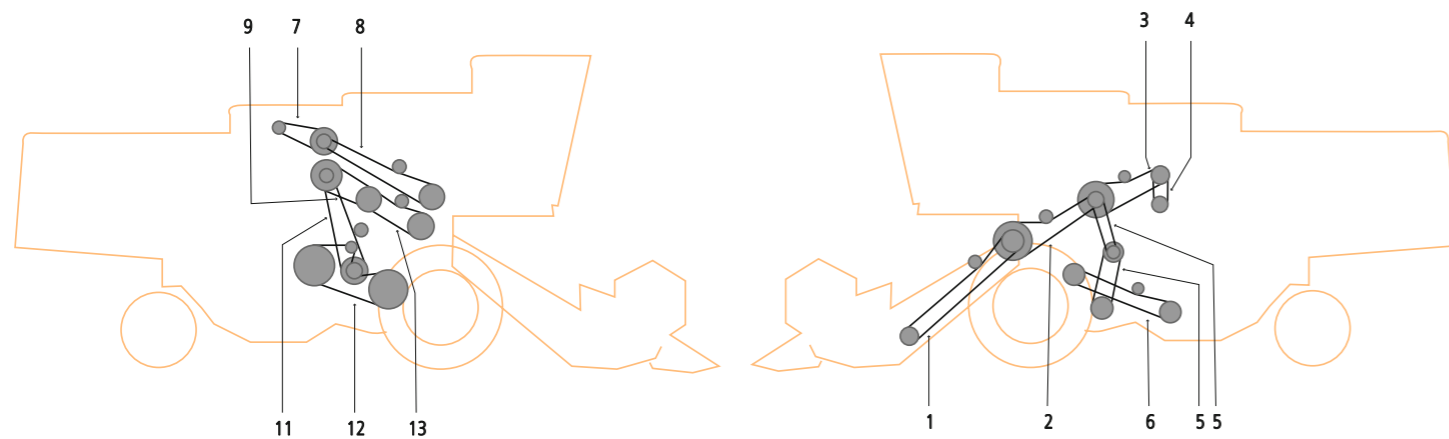


ITEM / POZYCJA	APPLICATION	OPIS	QUANTITY OF V-BELTS IN DRIVE / ILOŚĆ PASÓW W ZESPOLE	OE PART NUMBER / NUMER KATALOGOWY	COMMENT / UWAGI
1	REEL CONTROL	MOTOWIDŁO	1	A30103	
2	REEL VARIATOR	NAPĘD MOTOWIDŁA	1	A30094	
3	PLATFORM CONTROL	NAPĘD PRZENOŚNIKA	1	A52772	
5	CROSS AUGER, LOWER	NAPĘD ŚLIMAKA	1	A52771	
6	HULLER CONTROL	NAPĘD ŁUSZCZARKI	1	A52774	
7	THRESHER CONTROL	NAPĘD MŁOCARNI	1	A52702	
8	UNLOADER AUGER DRIVE	NAPĘD ŚLIMAKA WYSYPU ZBIORNIKA	1	A51148	
9	UNLOADING SYSTEM	SYSTEM ROZŁADUNKU	1	A52700	
10	VENTILATOR	WENTYLATOR	2	A52733	
11	CONVEYOR	PRZENOŚNIK	1	A48818	
12	STRAW SHAKER	NAPĘD ZESPOŁU WYTRZĄSACZY	1	A51197	
13	BEATER VARIATOR	NAPĘD MŁOCARNI	1	A41225	X
14	MAN. AIR INTAKE CONTROL	WENTYLATOR	1	A54294	
15	UNLOADING SYSTEM	SYSTEM ROZŁADUNKU	1	A52732	
16	MAN. AIR INTAKE DRIVE	WENTYLATOR	1	A54293	

X - not in standard offer / brak w standardowej ofercie

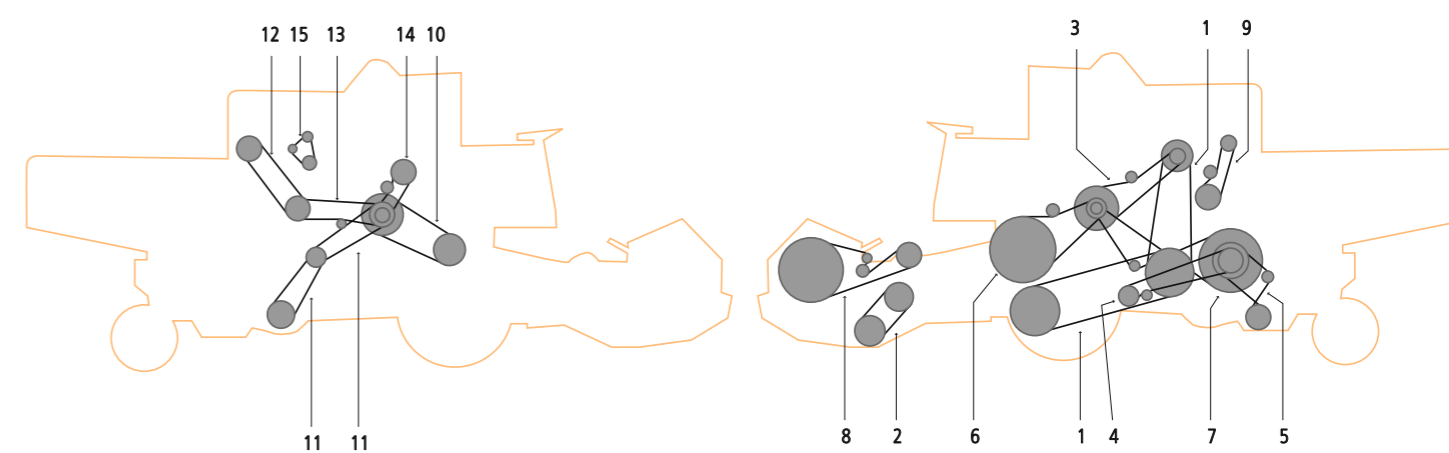
ITEM / POZYCJA	APPLICATION	OPIS	QUANTITY OF V-BELTS IN DRIVE / ILOŚĆ PASÓW W ZESPOLE	OE PART NUMBER / NUMER KATALOGOWY	COMMENT / UWAGI
1	REEL CONTROL	MOTOWIDŁO	1	A30103	
2	REEL VARIATOR	NAPĘD MOTOWIDŁA	1	A30094	
3	PLATFORM CONTROL	NAPĘD PRZENOŚNIKA	1	A48828	
5	LOWER AUGER CONTROL	NAPĘD DOLNY ŚLIMAKA	1	A51210	
6	THRESHER CONTROL	NAPĘD MŁOCARNI	1	A48826	
7	HULLER CONTROL	NAPĘD ŁUSZCZARKI	1	A48827	
8	UNLOADER AUGER DRIVE	NAPĘD ŚLIMAKA WYSYPU ZBIORNIKA	1	A51148	
9	UNLOADING SYSTEM	SYSTEM ROZŁADUNKU	1	A51163	
10	LOWER FAN RPM VARIATOR	NAPĘD DOLNY WIALNI CZYSZCZĄCEJ	1	A48817	
11	VARIATOR CONVEYOR	PRZENOŚNIK	1	A48818	
12	STRAW WALKER DRIVE	NAPĘD WYTRZĄSACZY	1	A51197	
14	MAN. AIR INTAKE CONTROL	WENTYLATOR	1	A51689	
15	LOADING AUGER	NAPĘD ŚLIMAKA	1	A51191	

X - not in standard offer / brak w standardowej ofercie



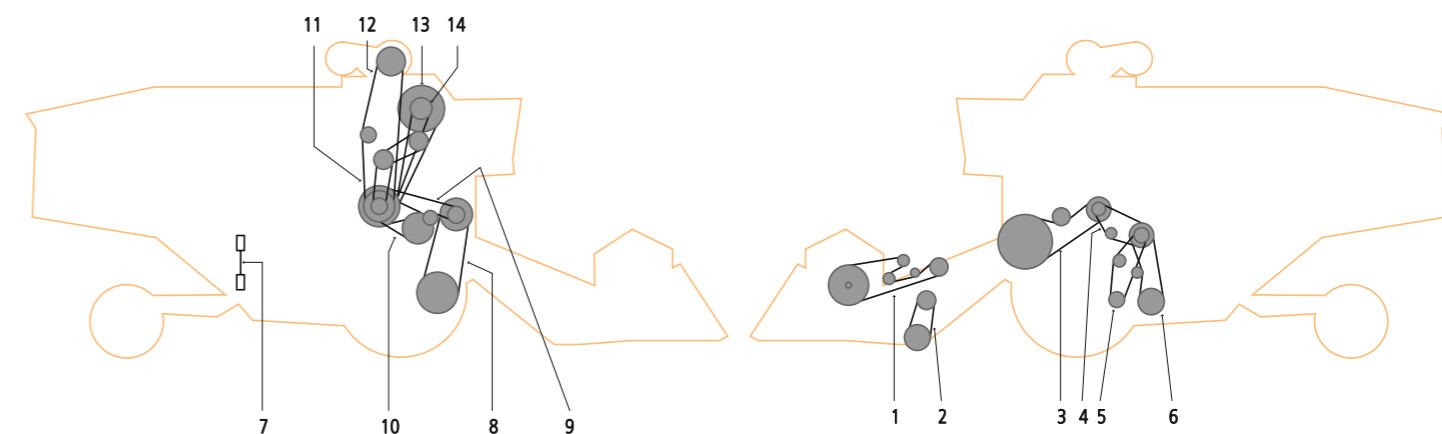
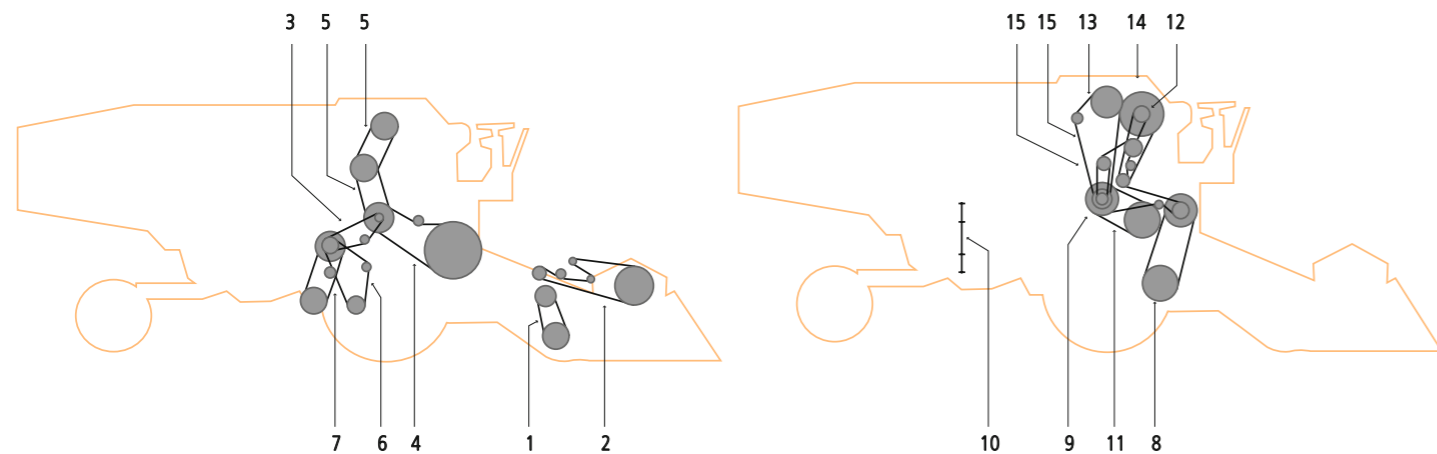
ITEM / POZYCJA	APPLICATION	OPIS	QUANTITY OF V-BELTS IN DRIVE / ILOŚĆ PASÓW W ZESPOLE	OE PART NUMBER / NUMER KATALOGOWY	COMMENT / UWAGI
0	LOAD BODY DRIVE	NAPĘD ZAŁADUNKU	1	A63958	
0	AIR COMPRESSOR	NAPĘD KOMPRESORA	1	A67125	
0	RADIATOR FAN	NAPĘD WENTYLATORA CHŁODNICY	1	B64684	
1	BAR CONTROL		1	B66261	
2	PLATFORM CONTROL	NAPĘD PRZENOŚNIKA	1	B63962	
3	THRESHER CONTROL	NAPĘD MŁOCARNI	1	A63957	
4	HYDRAULIC PUMP	POMPA HYDRAULICZNA	1	A67319	
5	FAN VARIATOR	NAPĘD WIALNI	2	A64164	
6	SLEEVE DRIVE	NAPĘD TULEJI	1	A67126	
7	UNLOADING SYSTEM	SYSTEM ROZŁADUNKU	1	A57674	
8	UNLOADING SYSTEM	SYSTEM ROZŁADUNKU	1	A64147	
9	BEATER DRIVE	NAPĘD MŁOCARNI	1	A41225	X
10	CONVEYOR	PRZENOŚNIK	1	B63961	
11	CHOPPER DRIVE	NAPĘD SIECZKARNI	1	A63960	
12	STRAW SHAKER	NAPĘD ZESPOŁU WYTRZĄSACZY	1	A61083	

X - not in standard offer / brak w standardowej ofercie



ITEM / POZYCJA	APPLICATION	OPIS	QUANTITY OF V-BELTS IN DRIVE / ILOŚĆ PASÓW W ZESPOLE	OE PART NUMBER / NUMER KATALOGOWY	COMMENT / UWAGI
2	REEL VARIATOR	NAPĘD MOTOWIDŁA	1	A30094	
3	THRESHING DRIVE	NAPĘD MŁOCARNI	1	A30096	X
4	CHOPPER DRIVE	NAPĘD SIECZKARNI	1	A30100	
5	BAGGING AUGER	NAPĘD WOKOWNICY	1	A30101	
6	PLATFORM	NAPĘD PRZENOŚNIKA	1	A30102	
7	STRAW SHAKER	NAPĘD ZESPOŁU WYTRZĄSACZY	1	A30107	
8	REEL	MOTOWIDŁO	1	A37240	
9	BAGGER CLEANER BASE	NAPĘD WOKOWNICY	1	A41043	
11	LOAD BODY VENTILATION	WENTYLATOR	2	A30097	
12	HULLER	NAPĘD ŁUSZCZARKI	1	A30098	
13	HULLER DRIVE	NAPĘD ŁUSZCZARKI	1	A30099	
14	UNLOADER AUGER DRIVE	NAPĘD ŚLIMAKA WYSYPU ZBIORNIKA	1	A30105	
15	ALTERNATOR DRIVE	NAPĘD ALTERNATORA	1		

X - not in standard offer / brak w standardowej ofercie

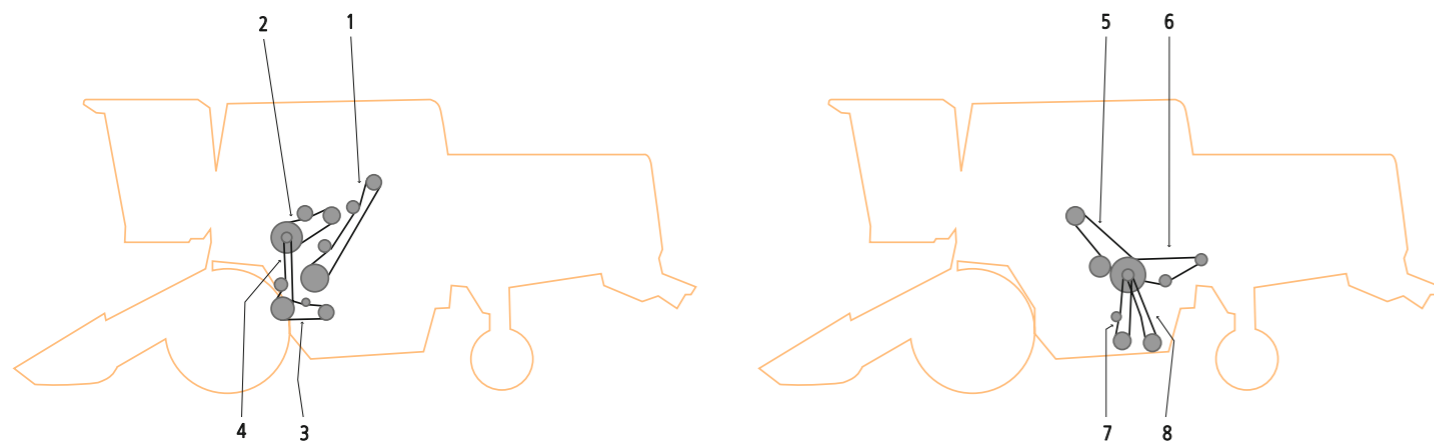


ITEM / POZYCJA	APPLICATION	OPIS	QUANTITY OF V-BELTS IN DRIVE / ILOŚĆ PASÓW W ZESPOLE	OE PART NUMBER / NUMER KATALOGOWY	COMMENT / UWAGI
0	SUPPLY AND HULLER AUGER	NAPĘD ŚLIMAKA	1	B47212	
1	REEL VARIATOR	NAPĘD MOTOWIDŁA	1	A30094	
2	REEL	MOTOWIDŁO	1	A30103	
3	STRAW WALKER DRIVE	NAPĘD WYTRZĄSACZY	1	A41226	
4	PLATFORM	NAPĘD PRZENOŚNIKA	1	A41228	
5	HULLER	NAPĘD ŁUSZCZARKI	1	B42873	
6	VENTILATOR	WENTYLATOR	1	B46183	
7	LOWER AUGER	NAPĘD DOLNY ŚLIMAKA	1	A46184	
8	FEED VARIATOR	NAPĘD WARIATOROWY PRZENOŚNIKA	1	A41221	X
9	THRESHING DRIVE	NAPĘD MŁOCARNI	1	A41222	
10	UNLOADING SYSTEM	SYSTEM ROZŁADUNKU	1	A41223	
11	BEATER VARIATOR	NAPĘD MŁOCARNI	1	A41225	X
12	PLANTER CROSS AUGER	NAPĘD ŚLIMAKA	1	A42869	
13	CROSS AUGER, UPPER	NAPĘD ŚLIMAKA	1	B42870	
14	CHOPPER DRIVE	NAPĘD SIECZKARNI	1	B42871	
15	LOAD BODY VENTILATOR	WENTYLATOR	1	B42872	

X - not in standard offer / brak w standardowej ofercie

ITEM / POZYCJA	APPLICATION	OPIS	QUANTITY OF V-BELTS IN DRIVE / ILOŚĆ PASÓW W ZESPOLE	OE PART NUMBER / NUMER KATALOGOWY	COMMENT / UWAGI
1	REEL CONTROL	MOTOWIDŁO	1	A30103	
2	REEL VARIATOR	NAPĘD MOTOWIDŁA	1	A30094	
3	PLATFORM CONTROL	NAPĘD PRZENOŚNIKA	1	B41228	
4	STRAW WALKER DRIVE	NAPĘD WYTRZĄSACZY	1	A41228	
5	LOWER VENT. CONTROL	WENTYLATOR	1	B46183	
6	LOWER AUGER CONTROL	NAPĘD DOLNY ŚLIMAKA	1	A46184	
7	UNLOADING SYSTEM	SYSTEM ROZŁADUNKU	1	A41223	
8	VARIABLE FEED CONTROL	NAPĘD PRZENOŚNIKA POCHYLEGO	1	A41221	X
9	THRESHING DRIVE	NAPĘD MŁOCARNI	1	A41222	
10	BEATER VARIATOR	NAPĘD MŁOCARNI	1	A41225	X
11	UPPER VENTILATOR	GÓRNY WENTYLATOR	1	B42872	
12	HULLER CONTROL	NAPĘD ŁUSZCZARKI	1	B51243	
13	UPPER CONTROL BOX	NAPĘD GÓRNY	1	B42871	
14	UNLOADER AUGER DRIVE	NAPĘD ŚLIMAKA WYSYPU ZBIORNIKA	1	A42869	
15	UPPER AUGER CONTROL	NAPĘD GÓRNY ŚLIMAKA	1	B47212	

X - not in standard offer / brak w standardowej ofercie

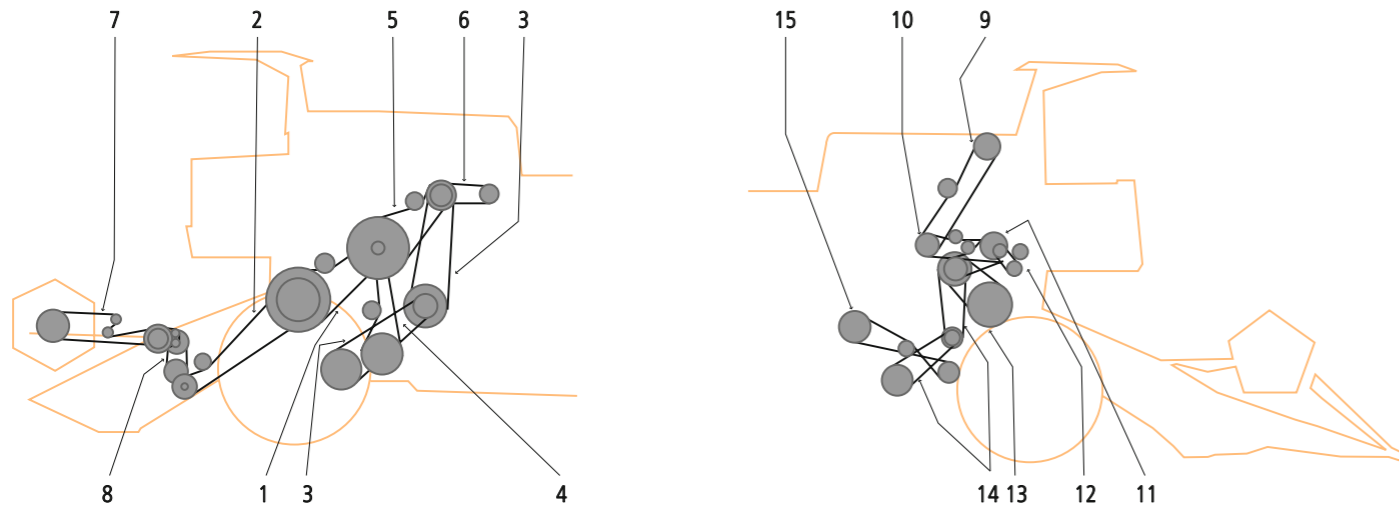


ITEM / POZYCJA	APPLICATION	OPIS	QUANTITY OF V-BELTS IN DRIVE / ILOŚĆ PASÓW W ZESPOLE	OE PART NUMBER / NUMER KATALOGOWY	COMMENT / UWAGI
1	TRACTION GEAR	NAPĘD JAZDY	51653173762	1	
2			51654172420	1	
3			51651222010	1	
4			51651222864	1	
5			51651223550	1	
6			51651173900	1	
7			51651172450	1	
8	GRAIN CONTAINER SCREW	ŚLIMAK ZBIORNIKA ZIARNA	51652172500	1	

X - not in standard offer / brak w standardowej ofercie

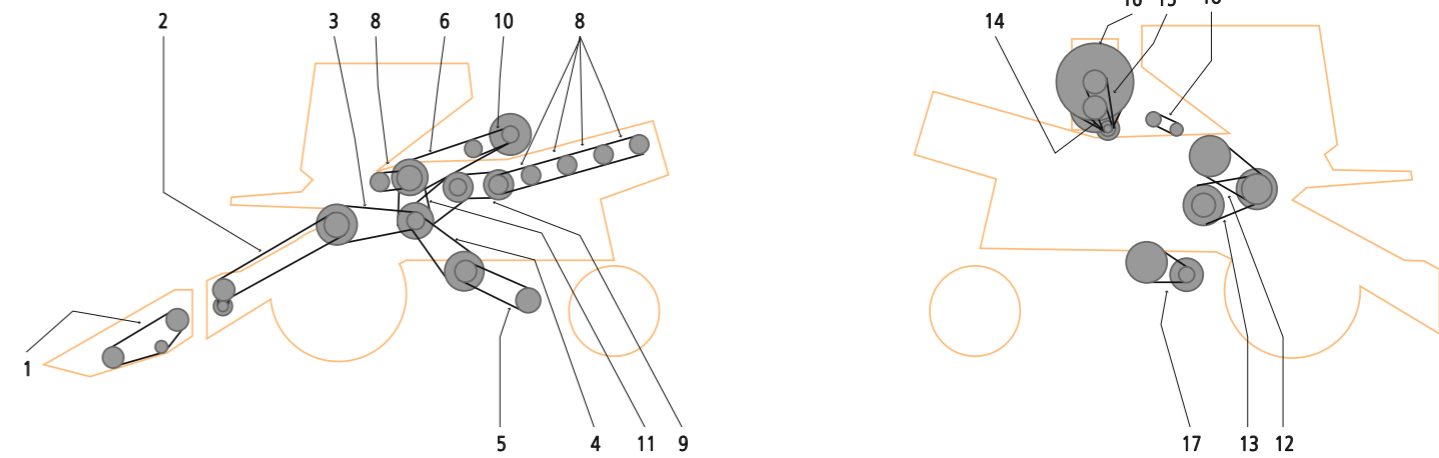
ITEM / POZYCJA	APPLICATION	OPIS	QUANTITY OF V-BELTS IN DRIVE / ILOŚĆ PASÓW W ZESPOLE	OE PART NUMBER / NUMER KATALOGOWY	COMMENT / UWAGI
1	SOWING DRIVE SHAFT	NAPĘD POSIEWACZA	9700-11594	1	
2	HYDRAULIC PUMP	NAPĘD POMPY HYDRAULICZNEJ	9700-11596	1	
3	CUTTING AASSEMBLY DRIVE	NAPĘD ZESPOŁU ŻNIWNEGO		1	
4	TRACTION GEAR	NAPĘD PRZEKŁADNI BEZSTOPNIOWEJ JAZDY	9720-10727	1	
5	PITCHED CONVEYOR	NAPĘD PRZENOŚNIKA POCHYLEGO	9725-11287	1	
6	PITCHED CONVEYOR	NAPĘD ODRZUTNIKA SŁOMY	9725-11286	1	
7	SWEEPER DRIVE	NAPĘD NAGARNIACZA	5056/766	1	
8	SWEEPER DRIVE	NAPĘD PRZEKŁADNI BEZSTOPNIOWEJ NAGARNIACZA	5040/42-011/0	1	
9	FAN VARI-SPEED	NAPĘD WENTYLATORA MŁOCARNI	9720-11589	2	
10	DRUM GEAR	PRZEKŁADNIA BĘBNA	9720-10729	1	
11	GRAIN CONTAINER SCREW	NAPĘD ŚLIMAKA WYLADUNKU ZBIORNIKA ZIARNA	9725-11288	1	
12	GRAIN ELEVATOR	NAPĘD GÓRNEGO WAŁU PODNOŚNIKA ZIARNOWEGO	9700-10725	1	
13	TOP EAR STRAW	NAPĘD GÓRNEGO ŚLIMAKA KŁOSOWEGO	9700-11593	1	
14	SHAKER SHOE	NAPĘD WYTRZĄSACZA	9700-11591	1	
15	EAR ELEVATOR	NAPĘD PODNOŚNIKA KŁOSOWEGO	9700-11595	1	

X - not in standard offer / brak w standardowej ofercie



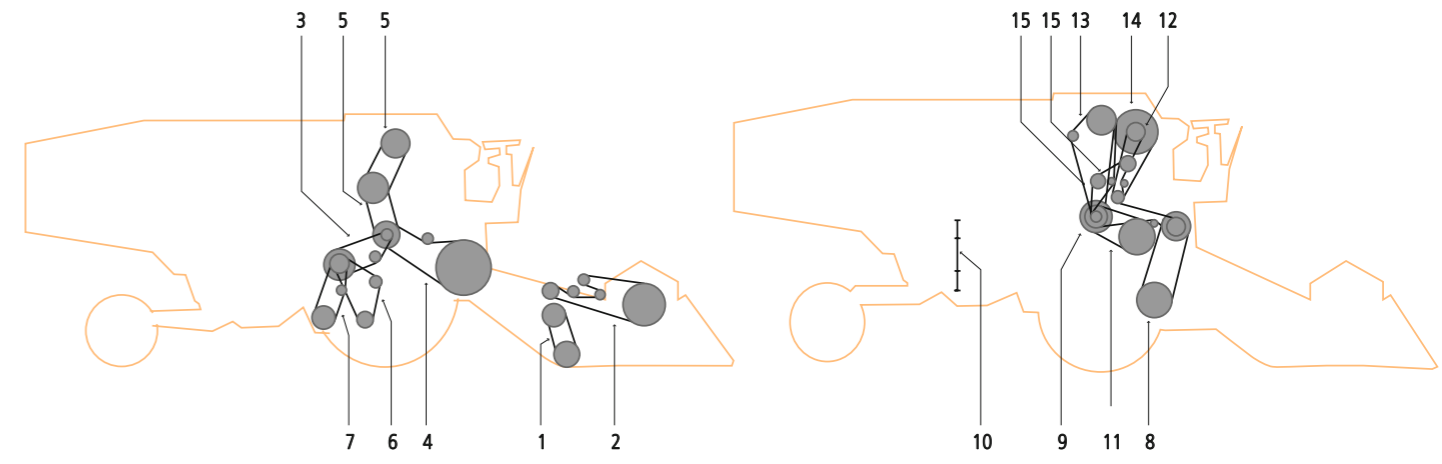
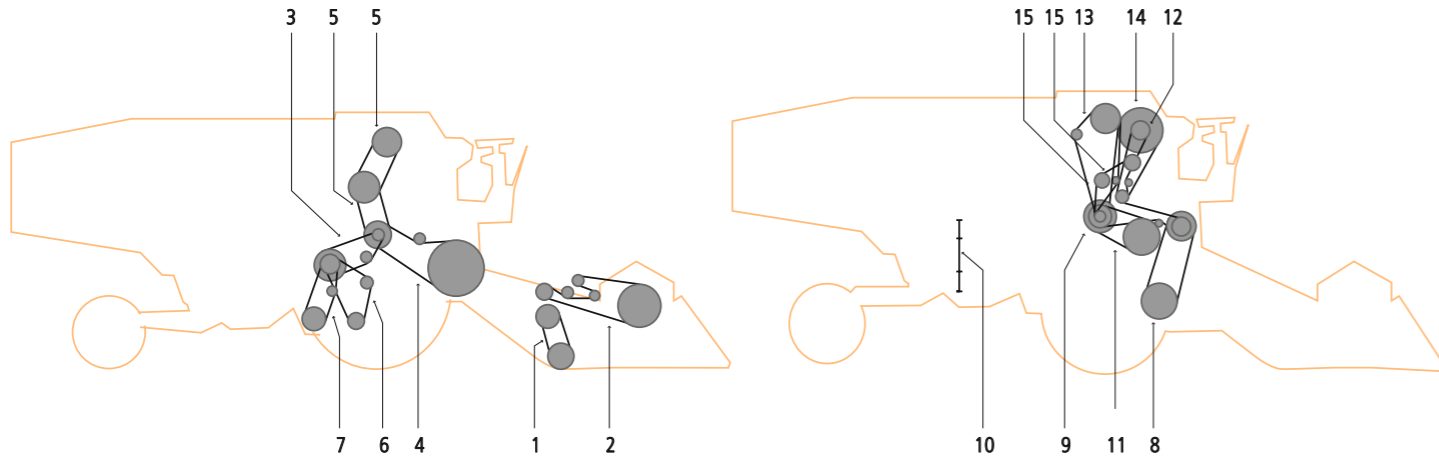
ITEM / POZYCJA	APPLICATION	OPIS	QUANTITY OF V-BELTS IN DRIVE / ILOŚĆ PASÓW W ZESPOLE	OE PART NUMBER / NUMER KATALOGOWY	COMMENT / UWAGI
1	PITCHED CONVEYOR	NAPĘD PRZENOŚNIKA POCHYLEGO	9725-11287	1	
2	CUTTING AASAMBLY DRIVE SHAFT	NAPĘD ZESPOŁU ŻNIWNEGO		1	
3	TRACTION GEAR	NAPĘD PRZEKŁADNI BEZSTOPNIOWEJ JAZDY	9720-10727	1	
4	SOWING DRIVE SHAFT	NAPĘD PODSIEWACZA	9700-11594	1	
5	STRAW EJECTOR	NAPĘD ODRZUTNIKA SŁOMY	9725-11286	1	
6	HYDRAULIC PUMP	NAPĘD POMPY HYDRAULICZNEJ	9700-11596	1	
7	SWEEPER DRIVE	NAPĘD NAGARNIACZA	5056/766	1	
8	SWEEPER DRIVE	PRZEKŁADNIA BEZSTOPNIOWA NAGARNIACZA	5040/42-011/0	1	
9	GRAIN ELEVATOR	NAPĘD PODNOŚNIKA ZIARNOWEGO	9700-11592	1	
10	EAR ELEVATOR	NAPĘD PODNOŚNIKA KŁOSOWEGO	9700-11595	1	
11	GRAIN CONTAINER SCREW	NAPĘD ŚLIMAKA NAGARNIAJĄCEGO ZBIORNIKA ZIARNA	9704-10728	1	
12	TOP EAR STRAW	NAPĘD ŚLIMAKA KŁOSOWEGO GÓRNEGO	9700-11593	1	
13	VARI DRIVE	NAPĘD PRZEKŁADNI BEZSTOPNIOWEJ BĘBEN-ODRZUTNIK	9720-10729	1	
14	FAN VARI-SPEED	NAPĘD WENTYLATORA MŁOCARNI	5050/92-038/0	2	
15	SHAKER SHOE	NAPĘD WYTRZĄSACZY	9700-11591	1	

X - not in standard offer / brak w standardowej ofercie



ITEM / POZYCJA	APPLICATION	OPIS	QUANTITY OF V-BELTS IN DRIVE / ILOŚĆ PASÓW W ZESPOLE	OE PART NUMBER / NUMER KATALOGOWY	COMMENT / UWAGI
1	KNIFE DRIVE	NAPĘD LISTWY NOŻOWEJ	51101222525	1	
2	CUTTING AASAMBLY DRIVE	NAPĘD ZESPOŁU ŻNIWNEGO	51102174650	1	
3	PITCHED CONVEYOR	NAPĘD GÓRNY PRZENOŚNIKA POCHYLEGO	51103173220	1	
4	INTERMEDIATE SOWING DRIVE SHAFT	NAPĘD WAŁU POŚREDNIEGO NAPĘDU PODSIEWACZA	51103173062	1	
5	BOTTOM EAR SCREW	ŚLIMAK KŁOSOWY DOLNY	51101172438	2	
6	INTERMEDIATE ATTACHEMENT	PRZYSTAWKA POŚREDNIA	51104173940	1	
7	INTERMEDIATE SHAFT	WAŁ POSREDNI	51104172270	1	
8	SHAKER DRUMS	BĘBNI WYTRZĄSACZY	51102171670	1	
9	DRUM SHAKER	WYTRZĄSACZ BĘBNOWY	51103172120	1	
10	HYDRAULIC PUMP	POMPA HYDRAULICZNA	51101172120	2	
11	SEPARATOR	SEPARATOR	51103172370	1	
12	STRAW EJECTOR	NAPĘD ODRZUTNIKA	51101222585	1	
13	DRUM DRIVE	NAPĘD BĘBNA MŁÓCĄCEGO	51101622375	1	
14	CUTTER UNIT REDUCER	REDUKTOR ŚCINARKI	51101131060	2	
15	MOTOR FAN	WENTYLATOR SILNIKA	51101171750	1	
16	ROTATIONAL GUARD	NAPĘD OSŁONY CHŁODNICY	51101132800	1	
17	FAN VARI-SPEED	NAPĘD WENTYLATORA MŁOCARNI	51101321750	1	
18	TOP EAR STRAW	ŚLIMAK KŁOSOWY GÓRNY	51101171085	1	

X - not in standard offer / brak w standardowej ofercie



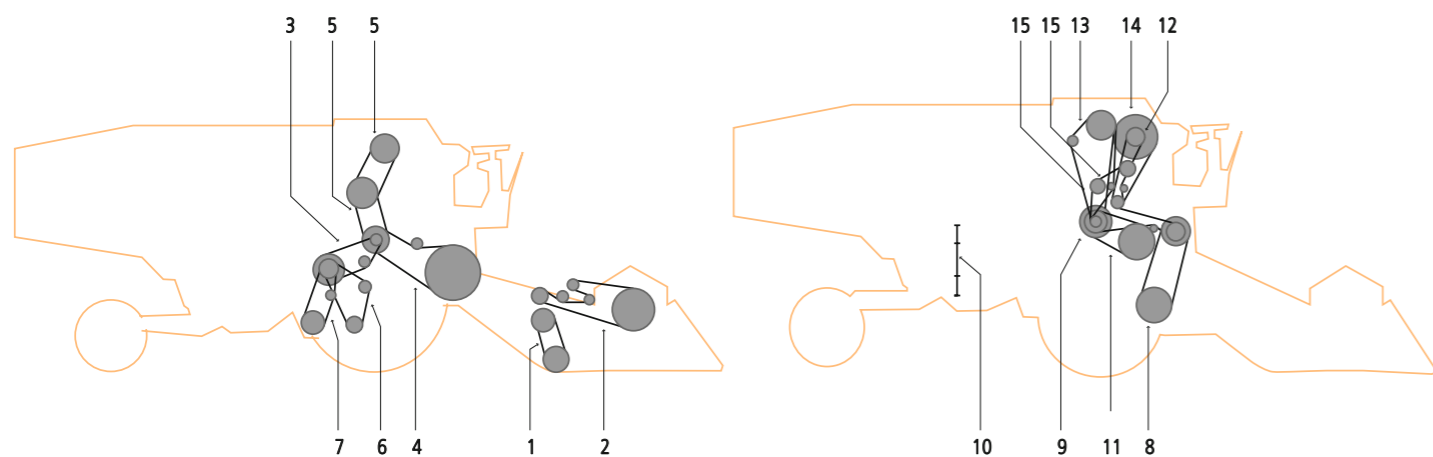
ITEM / POZYCJA	APPLICATION	OPIS	QUANTITY OF V-BELTS IN DRIVE / ILOŚĆ PASÓW W ZESPOLE	OE PART NUMBER / NUMER KATALOGOWY	COMMENT / UWAGI
3			1	20092101	
5			1	20093065	X
7			1	20092120	
9			1	20001733	
12			1	20012976	
26			1	20098592	
27			1	20002102	
29			1	20002122	

X - not in standard offer / brak w standardowej ofercie

ITEM / POZYCJA	APPLICATION	OPIS	QUANTITY OF V-BELTS IN DRIVE / ILOŚĆ PASÓW W ZESPOLE	OE PART NUMBER / NUMER KATALOGOWY	COMMENT / UWAGI
4			1	20092101	
7			1	20093065	X
9			1	20092120	
11			1	20001733	
14			1	20012976	
20			1	20001735	
30			1	20002102	
31			1	20098592	
33			1	20002122	

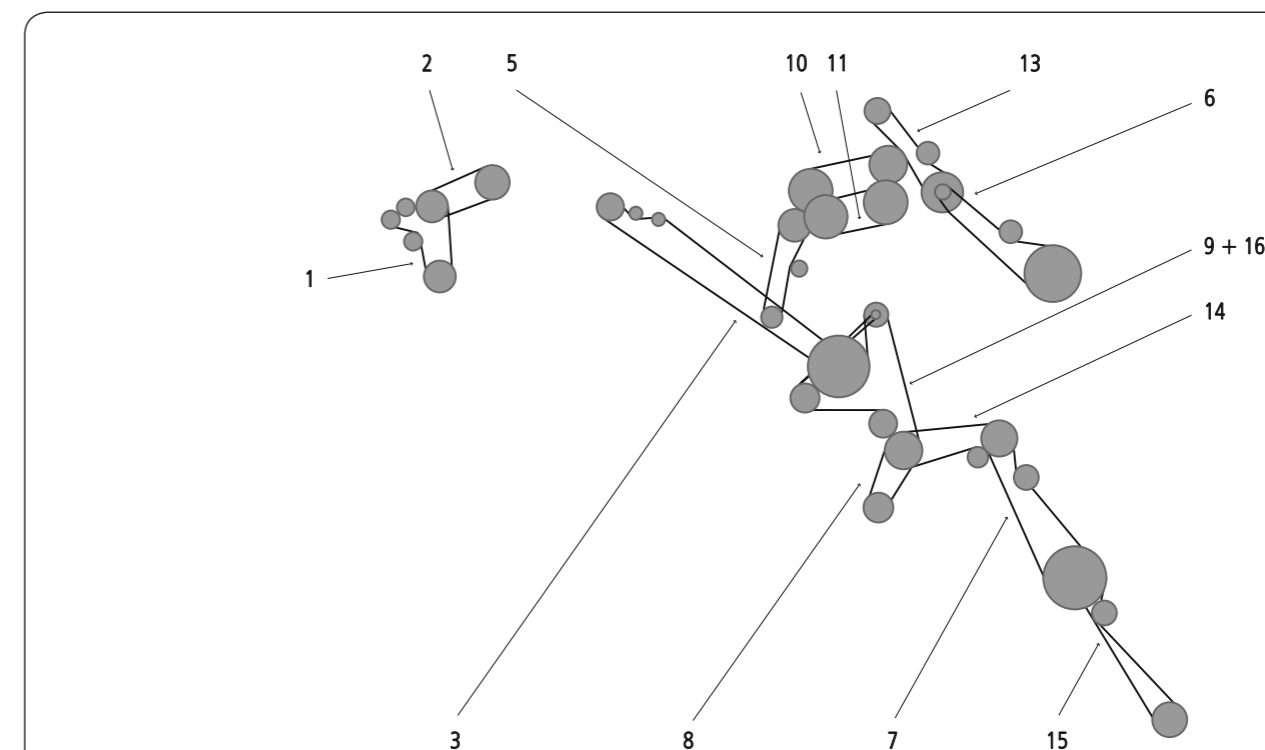
X - not in standard offer / brak w standardowej ofercie





ITEM / POZYCJA	APPLICATION	OPIS	QUANTITY OF V-BELTS IN DRIVE / ILOŚĆ PASÓW W ZESPOLE	OE PART NUMBER / NUMER KATALOGOWY	COMMENT / UWAGI
4			1	20092101	
5			1	20093065	X
7			1	20092120	
9			1	20001733	
12			1	20012976	
18			1	20001736	
28			1	20002102	
29			1	20098592	
31			1	20002122	

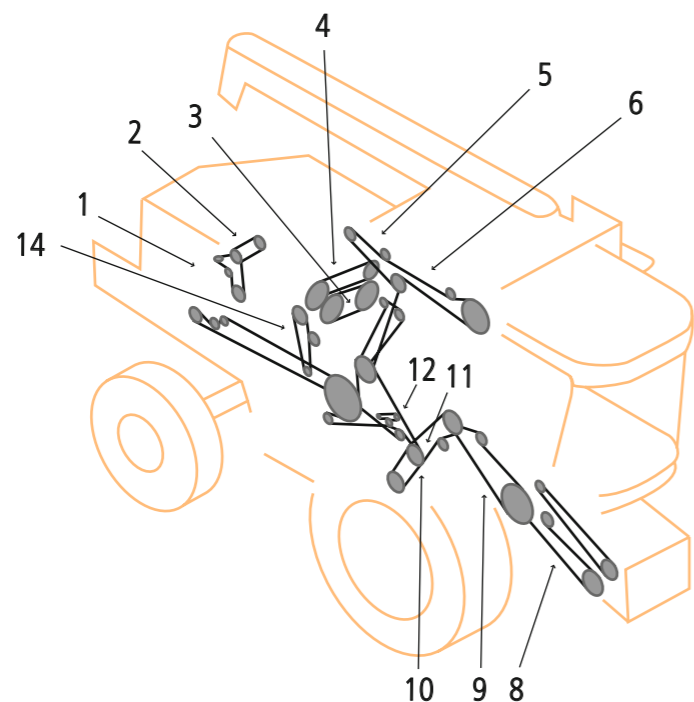
X - not in standard offer / brak w standardowej ofercie



ITEM / POZYCJA	APPLICATION	OPIS	QUANTITY OF V-BELTS IN DRIVE / ILOŚĆ PASÓW W ZESPOLE	OE PART NUMBER / NUMER KATALOGOWY	COMMENT / UWAGI
1	WATER PUMP, FAN, ALTERNATOR	NAPĘD POMPY WODNEJ, WENTYLATORA, ALTERNATORA	1	J911572	X
2	AIR CONDITIONING COMPRESSOR	NAPĘD KOMPRESORA KLIMATYZACJI	1	396829R1	
3	STRAW SPREADER DRIVE	NAPĘD ROZTRZĄSACZA SŁOMY	1	196371C1	
5	STRAW CHOPPER DRIVE	NAPĘD ROZDRABNIACZA SŁOMY	1	1347160C1	
7	FEEDER DRIVE WITH ROCK TRAP	NAPĘD PRZENOŚNIKA POCHYLEGO Z ŁAPACZEM KAMIENI	1	1315074C1	
7	FEEDER DRIVE WITHOUT ROCK TRAP	NAPĘD PRZENOŚNIKA POCHYLEGO BEZ ŁAPACZA KAMIENI	1	194528C1	
8	CLEANING FAN DRIVE	NAPĘD WIALNI CZYSZCZĄCEJ	1	1541569C1	
9	ELEVATOR DRIVE UNIT	JEDNOSTKA NAPĘDU PRZENOŚNIKA	1	186509C2	X
10	SEPARATOR DRIVE	NAPĘD SEPARATORA	1	1541702C1	
11	ROTOR DRIVE	NAPĘD ROTORA	1	244422A1	X
13	AUXILIARY PUMP DRIVE	NAPĘD POMPY POMOCNICZEJ	1	124573A1	
14	FAN JACKSHAFT DRIVE	NAPĘD WAŁKA POŚREDNIEGO DMUCHAWY	1	188213C1	
15	FEEDER JACKSHAFT DRIVE	NAPĘD WAŁKA POŚREDNIEGO PRZENOŚNIKA POCHYLEGO	1	1313097C3	
15	FEEDER JACKSHAFT DRIVE	NAPĘD WAŁKA POŚREDNIEGO PRZENOŚNIKA POCHYLEGO	1	1308489C2	
16	CLEANING UNIT DRIVE WITH STRAW CHOPPER	NAPĘD JEDNOSTKI CZYSZCZĄCEJ	1	181055C1	
	UNLOADER AUGER DRIVE	NAPĘD ŚLIMAKA WYSYPU ZBIORNIKA	1	198217C1	

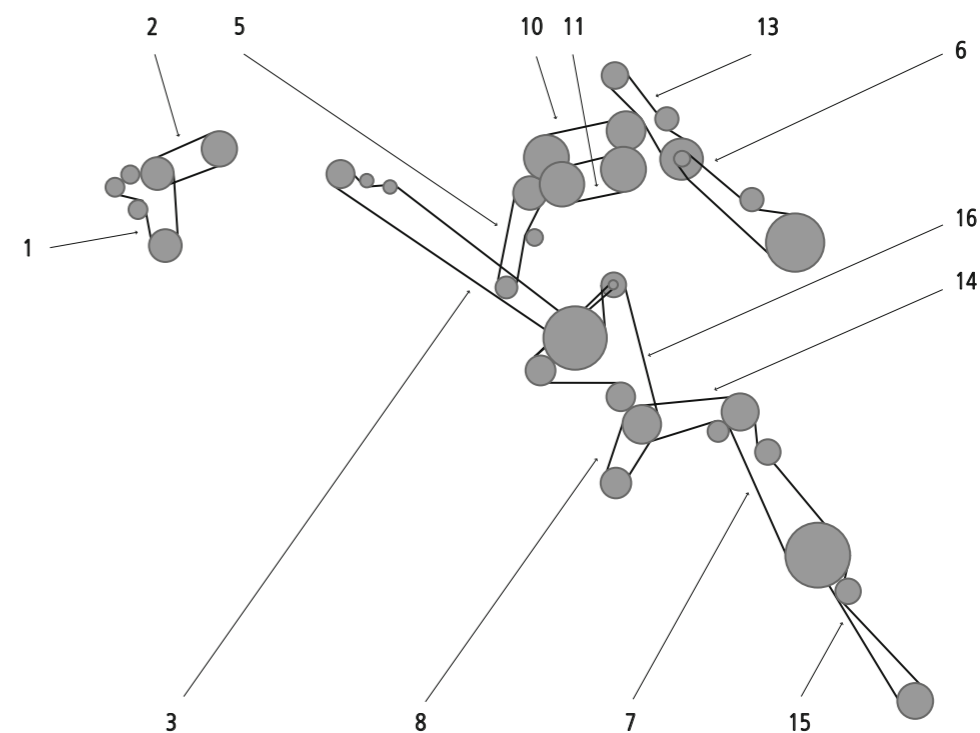
X - not in standard offer / brak w standardowej ofercie





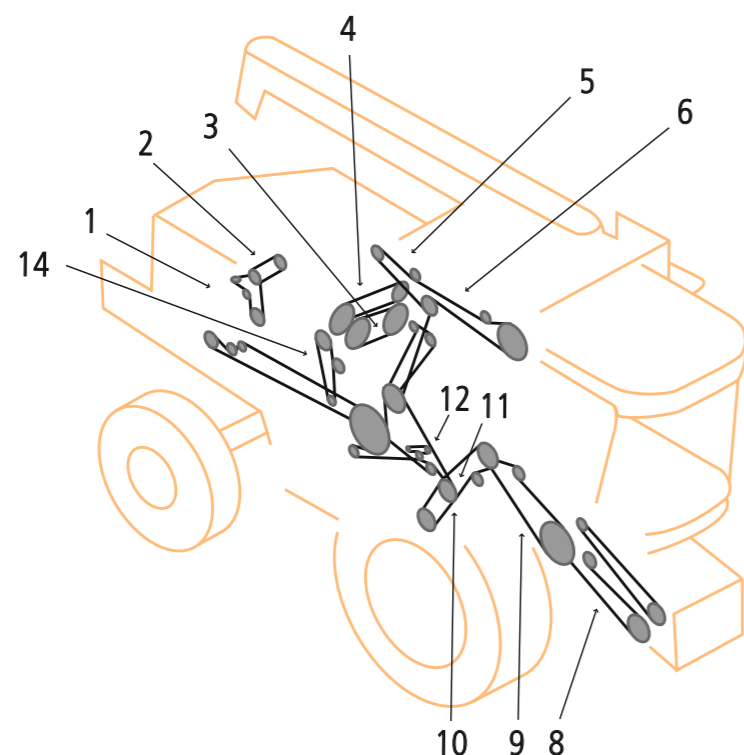
ITEM / POZYCJA	APPLICATION	OPIS	QUANTITY OF V-BELTS IN DRIVE / ILOŚĆ PASÓW W ZESPOLE	OE PART NUMBER / NUMER KATALOGOWY	COMMENT / UWAGI
1	ENGINE FAN DRIVE AND ALTERNATOR	NAPĘD WENTYLATORA SILNIKA I ALTERNATORA	1	J911565	X
2	AIR CONDITIONING COMPRESSOR	KOMPRESOR KLIMATYZACJI	1	164550R2	
3	ROTOR DRIVE	NAPĘD ROTORA	1	244420A4	X
4	SEPARATOR DRIVE	NAPĘD SEPARATORA	1	191241C3	
5	AUXILIARY DRIVE	NAPĘD POMOCNICZY	1	1541700C1	
6	GRAIN TANK UNLOADER DRIVE	NAPĘD WYSYPU ZIARNA	1	191290C1	
8	FEEDER JACKSHAFT	NAPĘD WAŁKA POŚREDNIEGO PRZENOŚNIKA POCHYLEGO	1	87629602	
8	FEEDER JACKSHAFT	NAPĘD WAŁKA POŚREDNIEGO PRZENOŚNIKA POCHYLEGO	1	393750A1	
9	FEEDER DRIVE	NAPĘD PRZENOŚNIKA POCHYLEGO	1	192738C1	
9	FEEDER DRIVE	NAPĘD PRZENOŚNIKA POCHYLEGO	1	1315168C1	
10	CLEANING FAN DRIVE	NAPĘD WIALNI CZYSZCZĄCEJ	1	1541569C1	
11	CLEANING FAN DRIVE		1	84462590	
12	ELEVATOR DRIVE	NAPĘD PRZENOŚNIKA	1		
13	STRAW SPREADER DRIVE	NAPĘD ROZTRZĄSACZA SŁOMY	1	84172256	X
14	STRAW CHOPPER DRIVE	NAPĘD SIECZKARNI SŁOMY	1	1315265C1	
0	WITHOUT STRAW CHOPPER	BEZ SIECZKARNI SŁOMY		87476487	X
0	WITH STRAW CHOPPER	Z ROZDRABNIACZEM SŁOMY		87476486	X

X - not in standard offer / brak w standardowej ofercie



ITEM / POZYCJA	APPLICATION	OPIS	QUANTITY OF V-BELTS IN DRIVE / ILOŚĆ PASÓW W ZESPOLE	OE PART NUMBER / NUMER KATALOGOWY	COMMENT / UWAGI
1	WATER PUMP, FAN, ALTERNATOR	NAPĘD POMPY WODNEJ, WENTYLATORA, ALTERNATORA	1	J911572	X
2	AIR CONDITIONING COMPRESSOR	NAPĘD KOMPRESORA KLIMATYZACJI	1	396829R1	
3	STRAW SPREADER DRIVE	NAPĘD ROZTRZĄSACZA SŁOMY	1	196371C1	
5	STRAW CHOPPER DRIVE	NAPĘD ROZDRABNIACZA SŁOMY	1	1347157C1	
6	UNLOADER AUGER DRIVE	NAPĘD ŚLIMAKA WYSYPU ZBIORNIKA	1	191290C1	
7	FEEDER DRIVE WITHOUT ROCK TRAP	NAPĘD PRZENOŚNIKA POCHYLEGO BEZ ŁAPACZA KAMIENI	1	192738C1	
7	FEEDER DRIVE WITHOUT ROCK TRAP	NAPĘD PRZENOŚNIKA POCHYLEGO BEZ ŁAPACZA KAMIENI	1	1315068C1	X
8	CLEANING FAN DRIVE	NAPĘD WIALNI CZYSZCZĄCEJ	1	301146A1	
9	ELEVATOR DRIVE UNIT	JEDNOSTKA NAPĘDU PRZENOŚNIKA	1	186509C2	X
10	SEPARATOR DRIVE	NAPĘD SEPARATORA	1	191241C3	
11	ROTOR DRIVE	NAPĘD ROTORA	1	244420A1	
13	AUXILIARY PUMP DRIVE	NAPĘD POMPY POMOCNICZEJ	1	124572A1	
14	FAN JACKSHAFT DRIVE	NAPĘD WAŁKA POŚREDNIEGO DMUCHAWY	1	301111A1	
15	FEEDER JACKSHAFT DRIVE	NAPĘD WAŁKA POŚREDNIEGO PRZENOŚNIKA POCHYLEGO	1	1313097C3	
15	FEEDER JACKSHAFT DRIVE	NAPĘD WAŁKA POŚREDNIEGO PRZENOŚNIKA POCHYLEGO	1	1308489C2	
16	CLEANING UNIT DRIVE WITH STRAW CHOPPER	NAPĘD JEDNOSTKI CZYSZCZĄCEJ	1	181055C1	

X - not in standard offer / brak w standardowej ofercie



ITEM / POZYCJA	APPLICATION	OPIS	QUANTITY OF V-BELTS IN DRIVE / ILOŚĆ PASÓW W ZESPOLE	OE PART NUMBER / NUMER KATALOGOWY	COMMENT / UWAGI
1	ENGINE FAN AND ALTERNATOR	NAPĘD WENTYLATORA SILNIKA I ALTERNATORA	1	J911572	X
2	AIR CONDITIONING COMPRESSOR - SERIAL -JJ CO272999	KOMPRESOR KLIMATYZACJI - SERIAL -JJ CO272999	1	396829R1	
2	AIR CONDITIONING COMPRESSOR - SERIAL JJ 0273000-	KOMPRESOR KLIMATYZACJI - SERIAL JJ 0273000-	1	2354414A1	X
3	ROTOR DRIVE	NAPĘD ROTORA	1	244423A5	X
3	ROTOR DRIVE	NAPĘD ROTORA	1	413159A2	X
4	SEPARATOR DRIVE	NAPĘD SEPARATORA	1	1541702C1	
5	AUXILIARY PUMP DRIVE	NAPĘD POMOCNICZY POMPY WODNEJ	1	124573A1	
5	AUXILIARY PUMP DRIVE	NAPĘD POMOCNICZY POMPY WODNEJ	1	440498A3	
6	GRAIN TANK UNLOADER DRIVE	NAPĘD WYSYPU ZIARNA	1	1989217C1	
8	FEEDER JACKSHAFT DRIVE	NAPĘD WAŁKA POŚREDNIEGO PRZENOŚNIKA POCHYLNEGO	1	393750A1	
8	FEEDER JACKSHAFT DRIVE	NAPĘD WAŁKA POŚREDNIEGO PRZENOŚNIKA POCHYLNEGO	1	87629602	
9	FEEDER DRIVE	NAPĘD PRZENOŚNIKA POCHYLNEGO	1	194528C2	
9	FEEDER DRIVE	NAPĘD PRZENOŚNIKA POCHYLNEGO	1	1315074C2	
10	CLEANING FAN DRIVE	NAPĘD WIALNI CZYSZCZĄCEJ	1	1541569C1	
10	CLEANING FAN DRIVE	NAPĘD WIALNI CZYSZCZĄCEJ	1	301146A1	
11	CLEANING FAN JACKSHAFT	NAPĘD POMOCNICZY WIALNI CZYSZCZĄCEJ	1	188213C2	
11	CLEANING FAN JACKSHAFT	NAPĘD POMOCNICZY WIALNI CZYSZCZĄCEJ	1	317904A1	
12	ELEVATOR DRIVE	NAPĘD PRZENOŚNIKA	1	87476487	X
12	ELEVATOR DRIVE	NAPĘD PRZENOŚNIKA	1	87476486	X
13	STRAW SPREADER DRIVE	NAPĘD ROZTRZĄSACZA SŁOMY	1	84172256	X
14	STRAW CHOPPER DRIVE	NAPĘD SIECZKARNI SŁOMY	1	400427A1	

X - not in standard offer / brak w standardowej ofercie

ITEM / POZYCJA	APPLICATION	OPIS	QUANTITY OF V-BELTS IN DRIVE / ILOŚĆ PASÓW W ZESPOLE	OE PART NUMBER / NUMER KATALOGOWY	COMMENT / UWAGI
1	ENGINE FAN	WENTYLATOR SILNIKA	1	87755884	X
2	ROTOR DRIVE	NAPĘD ROTORA	1	87615553	X
4	SEPARATOR DRIVE	NAPĘD SEPARATORA	1	84137716	
5	CLEANING FAN JKSF	NAPĘD WIALNI JKSF	1	87642957	
6	CLEANING FAN	NAPĘD WIALNI	1	301146A1	
7	CLEANING SYSTEM W/ CHOPPER	ZESPÓŁ WIALNI W/ ROZDRABNIACZ	1	87476486	X
8	CLEANING SYSTEM W/ BEATER	ZESPÓŁ WIALNI W/ NAPĘD BĘBNA MŁÓCĄCEGO	1	87476487	X
9	CHOPPER DRIVE STD CUT	NAPĘD SIECZKARNI STANDARDOWE CIĘCIE	1	87330903	
10	SPREADER DRIVE	NAPĘD ROZTRZĄSACZA	1	84163222	X
12	AC	KLIMATYZACJA	1	87311867	

X - not in standard offer / brak w standardowej ofercie

## Case IH 6130

ITEM / POZYCJA	APPLICATION	OPIS	QUANTITY OF V-BELTS IN DRIVE / ILOŚĆ PASÓW W ZESPOLE	OE PART NUMBER / NUMER KATALOGOWY	COMMENT / UWAGI
1	STRAW CHOPPER	ROZDRABNIACZ SŁOMY	1	87476486	X
2	BEATER	NAPĘD BĘBNA MŁÓCĄCEGO	1	87476487	X
3	UNLOAD DRIVE, 61/7130	NAPĘD ROZŁADUNKU, 61/7130	1	87549557	X
4	UNLOAD DRIVE, 5130	NAPĘD ROZŁADUNKU, 5130	1	87566055	
5	ROTOR DRIVE, 61/7130	NAPĘD ROTORA, 61/7130	1	87615553	X
6	ROTOR DRIVE, 5130	NAPĘD ROTORA, 5130	1	84194650	X
7	FEEDER DRIVE W/ ROCK TRAP	NAPĘD PRZENOŚNIKA POCHYLNEGO ZE ZBIERAKIEM KAMIENI	1	87629601	
8	FEEDER DRIVE W/O ROCK TRAP	NAPĘD PRZENOŚNIKA POCHYLNEGO BEZ ZBIERAKA KAMIENI	1	87629602	
9	JACKSHAFT/FAN DRIVE	WAŁEK POŚREDNI / NAPĘD WENTYLATORA	1	87642957	
10	FAN DRIVE	NAPĘD WENTYLATORA	1	84150266	X
11	STRAW- SŁOMA/PLEW ROZTRZĄSACZ	SŁOMA/PLEW ROZTRZĄSACZ	1	84163222	X
12	A/C COMPRESSOR	KOMPRESOR KLIMATYZACJI	1	84292913	X
13	ALTERNATOR, 5130 ONLY	ALTERNATOR TYLKO 5130	1	84312027	X
14	HEADER DRIVE, W/O ROCK TRAP	NAPĘD HEDERA BEZ ZBIERAKA KAMIENI	1	84365262	X
15	PTO	PTO	1	84406044	X
16	JACKSHAFT DRIVE	WAŁEK POŚREDNI	1	84548651	X
17	STRAW CHOPPER	ROZDRABNIACZ SŁOMY	1	87330903	
18	HEADER DRIVE	NAPĘD HEDERA	1	87332161	
19	FAN DRIVE	NAPĘD WENTYLATORA	1	301146A1	

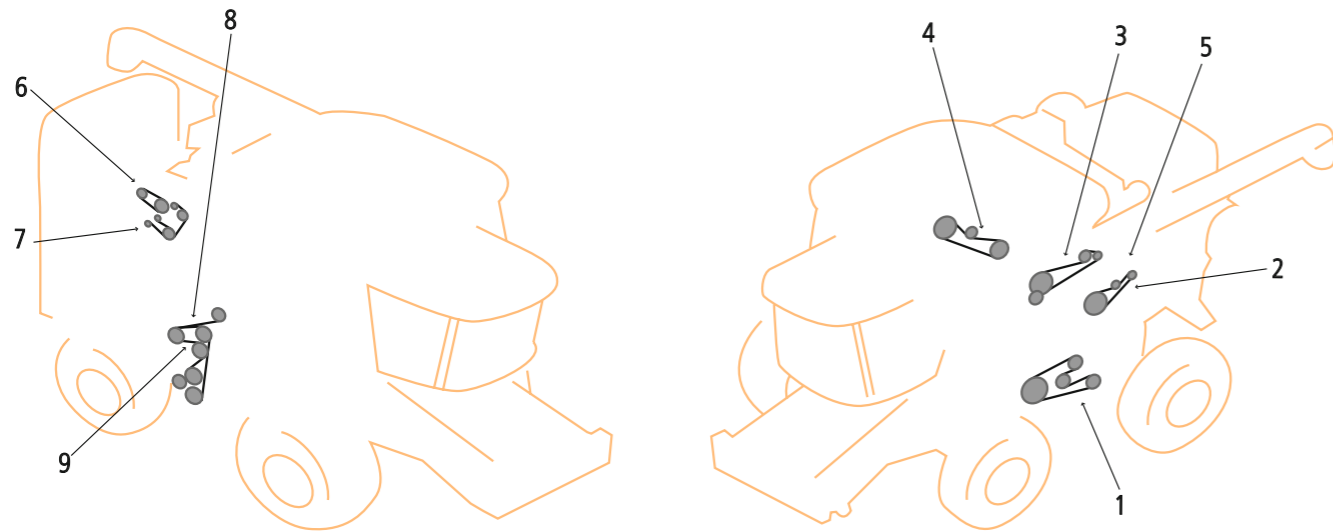
X - not in standard offer / brak w standardowej ofercie

ITEM / POZYCJA	APPLICATION	OPIS	QUANTITY OF V-BELTS IN DRIVE / ILOŚĆ PASÓW W ZESPOLE	OE PART NUMBER / NUMER KATALOGOWY	COMMENT / UWAGI
1	ALTERNATOR/ A/C	ALTERNATOR / KLIMATYZACJA	1	84292913	X
2	ALTERNATOR	ALTERNATOR	1	84312027	X
3	A/C	KLIMATYZACJA	1	87489502	X
4	ENGINE FAN DRIVE	NAPĘD WENTYLATORA SILNIKA	1	84150266	X
5	UNLOADER, MID JACKSHAFT	WYŁADOWACZ, WAŁEK POŚREDNI	1	84548651	X
6	SEPARATOR DRIVE	NAPĘD SEPARATORA	1	84406044	X
7	FEEDER DRIVE W/ ROCK TRAP	NAPĘD PRZENOŚNIKA POCHYLEGO ZE ZBIERAKIEM KAMIENI	1	87629601	
8	FEEDER DRIVE W/O ROCK TRAP	NAPĘD PRZENOŚNIKA POCHYLEGO BEZ ZBIERAKA KAMIENI	1	87629602	
9	HEADER DRIVE W/ ROCK TRAP	NAPĘD HEDERA ZE ZBIERAKIEM KAMIENI	1	47455617	X
10	HEADER DRIVE W/O ROCK TRAP	NAPĘD HEDERA BEZ ZBIERAKA KAMIENI	1	47616842	X
11	ROTOR GEARBOX	ROTOR	1	87714971	X
12	ROTOR GEARBOX	ROTOR	1	84194650	X
13	CLEANING FAN JACKSHAFT	NAPĘD POMOCNICZY WIALNI CZYSZCZĄCEJ	1	87642957	
14	CLEANING FAN DRIVE	NAPĘD WIALNI CZYSZCZĄCEJ	1	301146A1	
15	UNLOADER DRIVE	NAPĘD WYSYPU	1	87549557	X
16	UNLOADER DRIVE	NAPĘD WYSYPU	1	87566055	
17	SPREADER DRIVE	NAPĘD ROZTRZĄSACZA	1	84163222	X
18	DISCHARGE BEATER	NAPĘD WYŁADUNKU KOMORY	1	87476487	X
19	STRAW CHOPPER DRIVE	NAPĘD SIECZKARNI SŁOMY	1	87330903	
20	AIR SCREEN DRIVE	NAPĘD KOSZA FILTRACYJNEGO	1	87583785	X
21	STRAW CHOPPER	ROZDRABNIACZ SŁOMY	2	87476486	X

X - not in standard offer / brak w standardowej ofercie

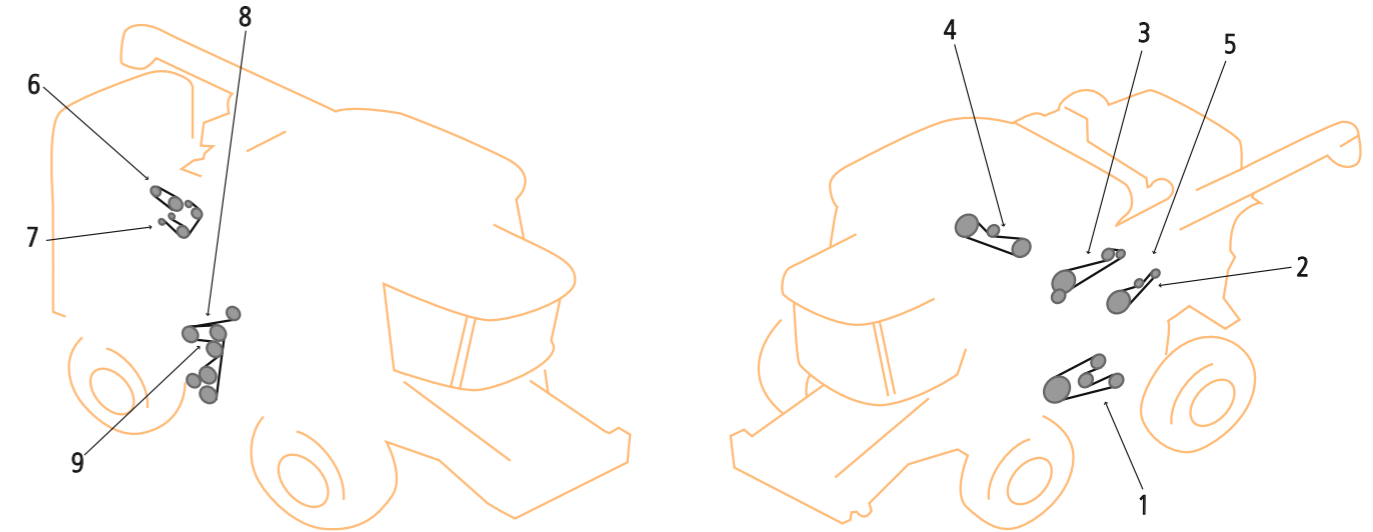
ITEM / POZYCJA	APPLICATION	OPIS	QUANTITY OF V-BELTS IN DRIVE / ILOŚĆ PASÓW W ZESPOLE	OE PART NUMBER / NUMER KATALOGOWY	COMMENT / UWAGI
1			1	500371653	X
2	ELEVATOR DRIVE	NAPĘD PRZENOŚNIKA	1	86975809	
3	SHOE DRIVE	NAPĘD KOSZA SITOWEGO	1	87317063	
4	TAILINGS DRIVE	NAPĘD PRZENOŚNIKA NIEDOMŁÓCONYCH KŁOSÓW	1	87283139	X
5	STRAW CHOPPER DRIVE LOW SPEED	NAPĘD SIECZKARNI SŁOMY LOW SPEED	1	86517680	
6	STRAW CHOPPER DRIVE TRANSMISSION, HIGH SPEED 2800 RPM	NAPĘD SIECZKARNI SŁOMY PRZEKŁADNIA, HIGH SPEED 2800 RPM	1	87283315	X
7	UNLOADING DRIVE	NAPĘD ZESPOŁU WYŁADUNKU	1	87011585	

X - not in standard offer / brak w standardowej ofercie



ITEM / POZYCJA	APPLICATION	OPIS	QUANTITY OF V-BELTS IN DRIVE / ILOŚĆ PASÓW W ZESPOLE	OE PART NUMBER / NUMER KATALOGOWY	COMMENT / UWAGI
1	SHOE DRIVE	NAPĘD KOSZA SITOWEGO	1	87317063	
2	BEATER DRIVE	NAPĘD ZESPOŁU MŁOCARNI	1	86517680	
3	UNLOADING DRIVE	NAPĘD ZESPOŁU WYŁADUNKU	1	87011585	
4			1	86975809	
5	STRAWCHOPPER DRIVE	NAPĘD SIECZKARNI SŁOMY	1	86976208	X
5	STRAWCHOPPER DRIVE	NAPĘD SIECZKARNI SŁOMY	1	87283315	X
6	ALT, A/C, WATER PUMP	ALTERNATOR, KLIMATYZACJA, POMPA WODNA	1	504212528	X
7	FAN	WENTYLATOR	1	50037165	X
8			1	86975809	
9	TAILINGS PROCESSOR	UKŁAD PRZETWARZANIA NIEDOMŁÓCONYCH KŁOSÓW	1	87283139	X

X - not in standard offer / brak w standardowej ofercie



ITEM / POZYCJA	APPLICATION	OPIS	QUANTITY OF V-BELTS IN DRIVE / ILOŚĆ PASÓW W ZESPOLE	OE PART NUMBER / NUMER KATALOGOWY	COMMENT / UWAGI
1	SHOE DRIVE	NAPĘD KOSZA SITOWEGO	1	87317063	
2	BEATER DRIVE	NAPĘD ZESPOŁU MŁOCARNI	1	86517680	
3	UNLOADING DRIVE	NAPĘD ZESPOŁU WYŁADUNKU	1	87011585	
4			1	86975809	
5	STRAWCHOPPER DRIVE	NAPĘD SIECZKARNI SŁOMY	1	86976208	X
5	STRAWCHOPPER DRIVE	NAPĘD SIECZKARNI SŁOMY	1	87283315	X
6	WATER PUMP	POMPA WODNA	1	87282333	X
7	FAN	WENTYLATOR	1	87282305	X
8			1	86975809	
9	TAILINGS PROCESSOR	UKŁAD PRZETWARZANIA NIEDOMŁÓCONYCH KŁOSÓW	1	87283139	X

X - not in standard offer / brak w standardowej ofercie

ITEM / POZYCJA	APPLICATION	OPIS	QUANTITY OF V-BELTS IN DRIVE / ILOŚĆ PASÓW W ZESPOLE	OE PART NUMBER / NUMER KATALOGOWY	COMMENT / UWAGI
1	STRAW CHOPPER	ROZDRABNIACZ SŁOMY	1	87476486	X
2	BEATER	NAPĘD BĘBNA MŁÓCĄCEGO	1	87476487	X
3	UNLOAD DRIVE, 61/7130	NAPĘD ROZŁADUNKU, 61/7130	1	87549557	X
4	UNLOAD DRIVE, 5130	NAPĘD ROZŁADUNKU, 5130	1	87566055	
5	ROTOR DRIVE, 61/7130	NAPĘD ROTORA, 61/7130	1	87615553	X
6	ROTOR DRIVE, 5130	NAPĘD ROTORA, 5130	1	84194650	X
7	FEEDER DRIVE W/ ROCK TRAP	NAPĘD PRZENOŚNIKA POCHYLNEGO ZE ZBIERAKIEM KAMIENI	1	87629601	
8	FEEDER DRIVE W/O ROCK TRAP	NAPĘD PRZENOŚNIKA POCHYLNEGO BEZ ZBIERAKA KAMIENI	1	87629602	
9	JACKSHAFT/FAN DRIVE	WAŁEK POŚREDNI / NAPĘD WENTYLATORA	1	87642957	
10	FAN DRIVE	NAPĘD WENTYLATORA	1	84150266	X
11	STRAW- SŁOMA/PLEW ROZTRZĄSACZ	SŁOMA/PLEW ROZTRZĄSACZ	1	84163222	X
12	A/C COMPRESSOR	KOMPRESOR KLIMATYZACJI	1	84292913	X
13	ALTERNATOR, 5130 ONLY	ALTERNATOR TYLKO 5130	1	84312027	X
14	HEADER DRIVE, W/O ROCK TRAP	NAPĘD HEDERA BEZ ZBIERAKA KAMIENI	1	84365262	X
15	PTO	PTO	1	84406044	X
16	JACKSHAFT DRIVE	WAŁEK POŚREDNI	1	84548651	X
17	STRAW CHOPPER	ROZDRABNIACZ SŁOMY	1	87330903	
18	HEADER DRIVE	NAPĘD HEDERA	1	87332161	
19	FAN DRIVE	NAPĘD WENTYLATORA	1	301146A1	

X - not in standard offer / brak w standardowej ofercie

ITEM / POZYCJA	APPLICATION	OPIS	QUANTITY OF V-BELTS IN DRIVE / ILOŚĆ PASÓW W ZESPOLE	OE PART NUMBER / NUMER KATALOGOWY	COMMENT / UWAGI
1	ALTERNATOR DRIVE	NAPĘD ALTERNATORA	1	84247607	X
2	A/C DRIVE	NAPĘD KLIMATYZACJI	1	84223612	X
3	UNLOADING, DUAL DRIVE	NAPĘD WYŁADUNKU (PODWÓJNY)	1	84345673	X
4	UNLOADING, DUAL DRIVE	NAPĘD WYŁADUNKU (PODWÓJNY)	1	84345674	X
5	UNLOADING DRIVE, STANDARD	NAPĘD ZESPOŁU WYŁADUNKU, STANDARD	1	84376860	X
6	ROTARY AIR SCREEN	NAPĘD KOSZA FILTRACYJNEGO	1	86514512	X
7	STRAWCHOPPER/BEATER DRIVE	ROZDRABNIACZ SŁOMY/NAPĘD ZESPOŁU MŁOCARNI	1	86517680	
8	GRAIN ELEVATOR DRIVE	NAPĘD PRZENOŚNIKA ZIARNA	1	86975809	
9	TAILINGS DRIVE	NAPĘD PRZENOŚNIKA NIEDOMŁÓCONYCH KŁOSÓW	1	87283139	X
10	STRAWCHOPPER DRIVE	NAPĘD SIECZKARNI SŁOMY	1	86517680	
11	FAN DRIVE 7230	NAPĘD WENTYLATORA 7230	1	87526140	X
12	ROTARY AIR SCREEN DRIVE, 7230 ONLY	NAPĘD KOSZA FILTRACYJNEGO, TYLKO 7230	1	87607871	X
13	FAN DRIVE	NAPĘD WENTYLATORA	1	87733431	X
14	FAN DRIVE	NAPĘD WENTYLATORA	1	47490848	X
15	ROTARY AIR SCREEN DRIVE	NAPĘD KOSZA FILTRACYJNEGO	1	9842161	X
16	ENGINE DRIVE	NAPĘD SILNIKA	1	84292639	X
17	SHOE DRIVE	NAPĘD KOSZA SITOWEGO	1	87317063	

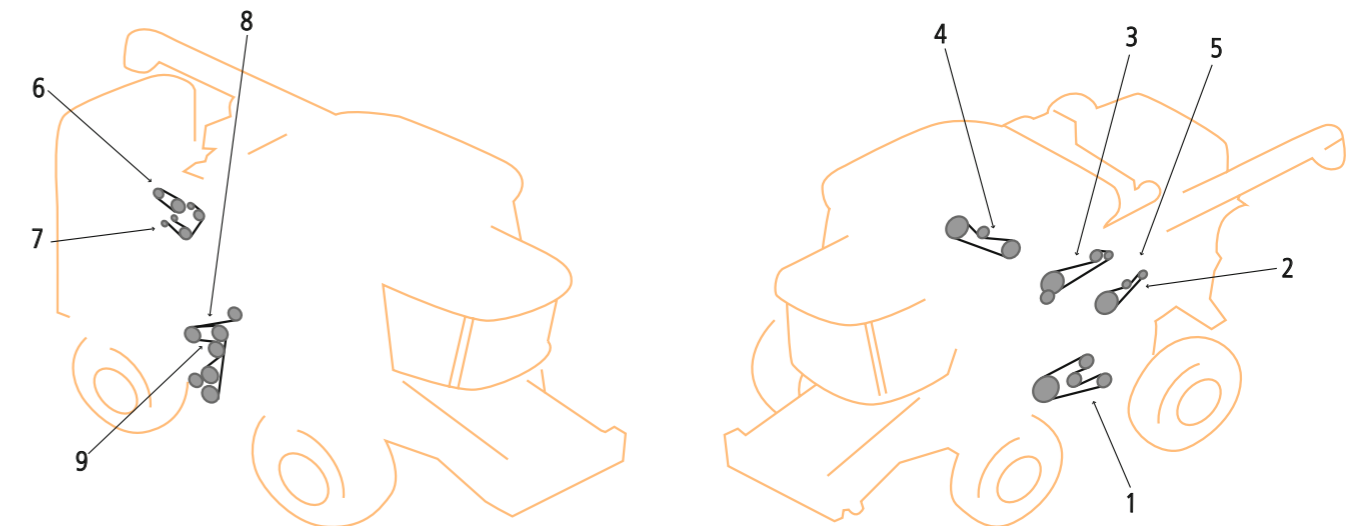
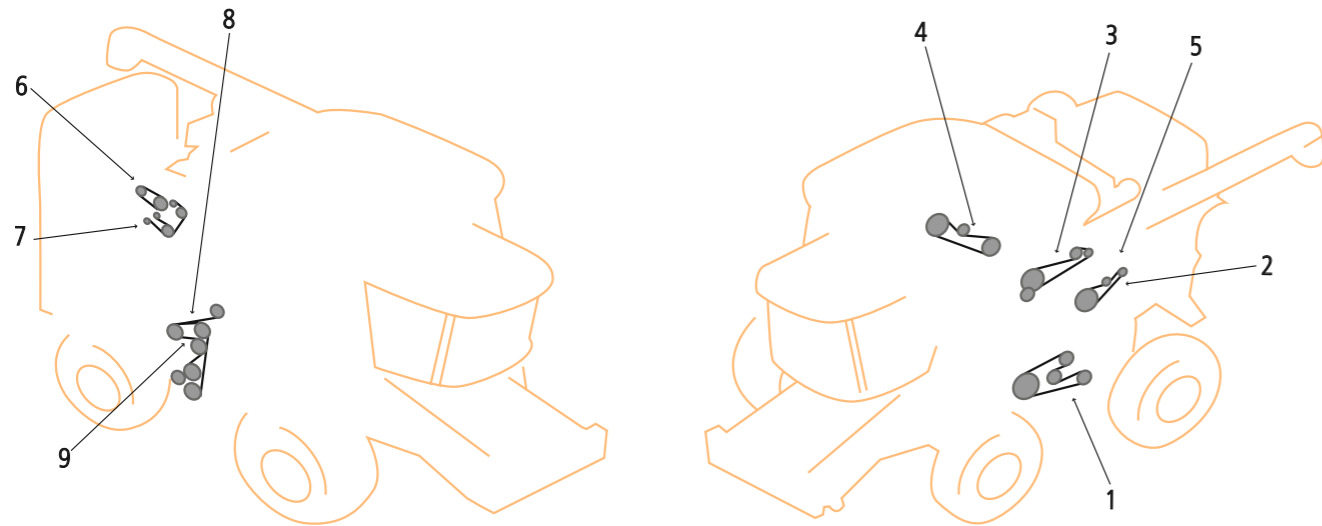
X - not in standard offer / brak w standardowej ofercie

ITEM / POZYCJA	APPLICATION	OPIS	QUANTITY OF V-BELTS IN DRIVE / ILOŚĆ PASÓW W ZESPOLE	OE PART NUMBER / NUMER KATALOGOWY	COMMENT / UWAGI
1	ALTERNATOR/ A/C	ALTERNATOR / KLIMATYZACJA	1	84292913	X
2	ALTERNATOR	ALTERNATOR	1	84312027	X
3	A/C	KLIMATYZACJA	1	87489502	X
4	ENGINE FAN DRIVE	NAPĘD WENTYLATORA SILNIKA	1	84150266	X
5	UNLOADER, MID JACKSHAFT	WYŁADOWACZ, WAŁEK POŚREDNI	1	84548651	X
6	SEPARATOR DRIVE	NAPĘD SEPARATORA	1	84406044	X
7	FEEDER DRIVE W/ ROCK TRAP	NAPĘD PRZENOŚNIKA POCHYLNEGO ZE ZBIERAKIEM KAMIENI	1	87629601	
8	FEEDER DRIVE W/O ROCK TRAP	NAPĘD PRZENOŚNIKA POCHYLNEGO BEZ ZBIERAKA KAMIENI	1	87629602	
9	HEADER DRIVE W/ ROCK TRAP	NAPĘD HEDERA ZE ZBIERAKIEM KAMIENI	1	47455617	X
10	HEADER DRIVE W/O ROCK TRAP	NAPĘD HEDERA BEZ ZBIERAKA KAMIENI	1	47616842	X
11	ROTOR GEARBOX	ROTOR	1	87714971	X
12	ROTOR GEARBOX	ROTOR	1	84194650	X
13	CLEANING FAN JACKSHAFT	NAPĘD POMOCNICZY WIALNI CZYSZCZĄCEJ	1	87642957	
14	CLEANING FAN DRIVE	NAPĘD WIALNI CZYSZCZĄCEJ	1	301146A1	
15	UNLOADER DRIVE	NAPĘD WYSYPU	1	87549557	X
16	UNLOADER DRIVE	NAPĘD WYSYPU	1	87566055	
17	SPREADER DRIVE	NAPĘD ROZTRZĄSACZA	1	84163222	X
18	DISCHARGE BEATER	NAPĘD WYŁADUNKU KOMORY	1	87476487	X
19	STRAW CHOPPER DRIVE	NAPĘD SIECZKARNI SŁOMY	1	87330903	
20	AIR SCREEN DRIVE	NAPĘD KOSZA FILTRACYJNEGO	1	87583785	X
21	STRAW CHOPPER	ROZDRABNIACZ SŁOMY	1	87476486	X

X - not in standard offer / brak w standardowej ofercie

ITEM / POZYCJA	APPLICATION	OPIS	QUANTITY OF V-BELTS IN DRIVE / ILOŚĆ PASÓW W ZESPOLE	OE PART NUMBER / NUMER KATALOGOWY	COMMENT / UWAGI
1	A/C COMPRESSOR	KOMPRESOR KLIMATYZACJI	1	84238514	X
2	FAN DRIVE	NAPĘD WENTYLATORA	1	47463606	X
2	FAN DRIVE	NAPĘD WENTYLATORA	1	47411931	X
3	ALTERNATOR	ALTERNATOR	1	47506727	X
3	ALTERNATOR	ALTERNATOR	1	47513876	X
3	ALTERNATOR	ALTERNATOR	1	47569912	X
4	AIR SCREEN	KOSZ FILTRACYJNY	1	47635775	X
4	AIR SCREEN	KOSZ FILTRACYJNY	1	47635791	X
5	VACUUM FAN	WENTYLATOR WYCIĄGOWY	1	47628753	X
5	VACUUM FAN	WENTYLATOR WYCIĄGOWY	1	47623161	X
6	CLEANING SYSTEM DRIVE	NAPĘD ZESPOŁU WIALNI	1	87317063	
7	CLEAN GRAIN ELEVATOR DRIVE, SINGLE/ 2 SPEED	NAPĘD PRZENOŚNIKA ZIARNA, POJEDYNCZY / 2 BIEGI	1	86975809	
8	SINGLE DRIVE, UNLOAD, 4.0 BU/ SEC	NAPĘD POJEDYNCZY, WYŁADUNEK, 4.0 BU/SEC	1	84376860	X
9	DUAL DRIVE, UNLOAD, 4.0/ 4.5 BU/SEC, CLUTCH	NAPĘD DWUBIEGOWY, WYŁADUNEK, 4.0/ 4.5 BU/SEC, SPRZĘGŁO	1	84345673	X
10	DUAL DRIVE, UNLOAD, 4.0/ 4.5 BU/SEC, DRIVE	NAPĘD DWUBIEGOWY, WYŁADUNEK, 4.0/ 4.5 BU/SEC, NAPĘD	1	84345674	X
11	TAILINGS PROCESSOR	UKŁAD PRZETWARZANIA NIEDOMŁÓCONYCH KŁOSÓW	1	87283139	X
12	CHOPPER DRIVE	NAPĘD SIECZKARNI	1	86517680	
13	OSCILLATING CHAFF PAN	OSCYLACYJNY ODBIERALNIK PLEW	1	84154916	X

X - not in standard offer / brak w standardowej ofercie



ITEM / POZYCJA	APPLICATION	OPIS	QUANTITY OF V-BELTS IN DRIVE / ILOŚĆ PASÓW W ZESPOLE	OE PART NUMBER / NUMER KATALOGOWY	COMMENT / UWAGI
1	SHOE DRIVE	NAPĘD KOSZA SITOWEGO	1	87317063	
2	BEATER DRIVE	NAPĘD ZESPOŁU MŁOCARNI	1	86517680	
3	UNLOADING DRIVE	NAPĘD ZESPOŁU WYŁADUNKU	1	87011585	
4			1	86975809	
5	STRAWCHOPPER DRIVE	NAPĘD SIECZKARNI SŁOMY	1	86976208	X
5	STRAWCHOPPER DRIVE	NAPĘD SIECZKARNI SŁOMY	1	87283315	X
6	WATER PUMP	POMPA WODNA	1	87282333	X
6	WATER PUMP	POMPA WODNA	1	504212528	X
6			1	504368979	X
7	FAN	WENTYLATOR	1	87282305	X
7	FAN	WENTYLATOR	1	500371653	X
7	FAN	WENTYLATOR	1	504049425	X
8			1	86975809	
9	TAILINGS PROCESSOR	UKŁAD PRZETWARZANIA NIEDOMŁÓCONYCH KŁOSÓW	1	87283139	X

X - not in standard offer / brak w standardowej ofercie

ITEM / POZYCJA	APPLICATION	OPIS	QUANTITY OF V-BELTS IN DRIVE / ILOŚĆ PASÓW W ZESPOLE	OE PART NUMBER / NUMER KATALOGOWY	COMMENT / UWAGI
1	SHOE DRIVE	NAPĘD KOSZA SITOWEGO	1	87317063	
2	BEATER DRIVE	NAPĘD ZESPOŁU MŁOCARNI	1	86517680	
3	UNLOADING DRIVE	NAPĘD ZESPOŁU WYŁADUNKU	1	87011585	
4			1	86975809	
5	STRAWCHOPPER DRIVE	NAPĘD SIECZKARNI SŁOMY	1	86976208	X
5	STRAWCHOPPER DRIVE	NAPĘD SIECZKARNI SŁOMY	1	87283315	X
6	WATER PUMP	POMPA WODNA	1	87282333	X
6	WATER PUMP	POMPA WODNA	1	504212528	X
6			1	504368979	X
7	FAN	WENTYLATOR	1	87282305	X
7	FAN	WENTYLATOR	1	500371653	X
7	FAN	WENTYLATOR	1	504049425	X
8			1	86975809	
9	TAILINGS PROCESSOR	UKŁAD PRZETWARZANIA NIEDOMŁÓCONYCH KŁOSÓW	1	87283139	X

X - not in standard offer / brak w standardowej ofercie



ITEM / POZYCJA	APPLICATION	OPIS	QUANTITY OF V-BELTS IN DRIVE / ILOŚĆ PASÓW W ZESPOLE	OE PART NUMBER / NUMER KATALOGOWY	COMMENT / UWAGI
1	ALTERNATOR DRIVE	NAPĘD ALTERNATORA	1	84247607	X
2	A/C DRIVE	NAPĘD KLIMATYZACJI	1	84223612	X
3	UNLOADING, DUAL DRIVE	NAPĘD WYŁADUNKU (PODWÓJNY)	1	84345673	X
4	UNLOADING, DUAL DRIVE	NAPĘD WYŁADUNKU (PODWÓJNY)	1	84345674	X
5	UNLOADING DRIVE, STANDARD	NAPĘD ZESPOŁU WYŁADUNKU, STANDARD	1	84376860	X
6	ROTARY AIR SCREEN	NAPĘD KOSZA FILTRACYJNEGO	1	86514512	X
7	STRAWCHOPPER/BEATER DRIVE	ROZDRABNIACZ SŁOMY/NAPĘD ZESPOŁU MŁOCARNI	1	86517680	
8	GRAIN ELEVATOR DRIVE	NAPĘD PRZENOŚNIKA ZIARNA	1	86975809	
9	TAILINGS DRIVE	NAPĘD PRZENOŚNIKA NIEDOMŁÓCONYCH KŁOSÓW	1	87283139	X
10	STRAWCHOPPER DRIVE	NAPĘD SIECZKARNI SŁOMY	1	86517680	
11	FAN DRIVE	NAPĘD WENTYLATORA	1	87526140	X
12	ROTARY AIR SCREEN DRIVE	NAPĘD KOSZA FILTRACYJNEGO	1	87607871	X
13	FAN DRI	NAPĘD WENTYLATORA	1	87733431	X
14	FAN DRIVE	NAPĘD WENTYLATORA	1	47490848	X
15	ROTARY AIR SCREEN DRIVE	NAPĘD KOSZA FILTRACYJNEGO	1	9842161	X
16	ENGINE DRIVE	NAPĘD SILNIKA	1	84292639	X
17	SHOE DRIVE	NAPĘD KOSZA SITOWEGO	1	87317063	

X - not in standard offer / brak w standardowej ofercie

ITEM / POZYCJA	APPLICATION	OPIS	QUANTITY OF V-BELTS IN DRIVE / ILOŚĆ PASÓW W ZESPOLE	OE PART NUMBER / NUMER KATALOGOWY	COMMENT / UWAGI
1	ALTERNATOR DRIVE	NAPĘD ALTERNATORA	1	84247607	X
2	A/C DRIVE	NAPĘD KLIMATYZACJI	1	84223612	X
3	UNLOADING, DUAL DRIVE	NAPĘD WYŁADUNKU (PODWÓJNY)	1	84345673	X
4	UNLOADING, DUAL DRIVE	NAPĘD WYŁADUNKU (PODWÓJNY)	1	84345674	X
5	UNLOADING DRIVE, STANDARD	NAPĘD ZESPOŁU WYŁADUNKU, STANDARD	1	84376860	X
6	ROTARY AIR SCREEN	NAPĘD KOSZA FILTRACYJNEGO	1	86514512	X
7	STRAWCHOPPER/BEATER DRIVE	ROZDRABNIACZ SŁOMY/NAPĘD ZESPOŁU MŁOCARNI	1	86517680	
8	GRAIN ELEVATOR DRIVE	NAPĘD PRZENOŚNIKA ZIARNA	1	86975809	
9	TAILINGS DRIVE	NAPĘD PRZENOŚNIKA NIEDOMŁÓCONYCH KŁOSÓW	1	87283139	X
10	STRAWCHOPPER DRIVE	NAPĘD SIECZKARNI SŁOMY	1	86517680	
11	FAN DRIVE	NAPĘD WENTYLATORA	1	87526140	X
12	ROTARY AIR SCREEN DRIVE	NAPĘD KOSZA FILTRACYJNEGO	1	87607871	X
13	FAN DRIVE	NAPĘD WENTYLATORA	1	87733431	X
14	FAN DRIVE	NAPĘD WENTYLATORA	1	47490848	X
15	ROTARY AIR SCREEN DRIVE	NAPĘD KOSZA FILTRACYJNEGO	1	9842161	X
16	ENGINE DRIVE	NAPĘD SILNIKA	1	84292639	X
17	SHOE DRIVE	NAPĘD KOSZA SITOWEGO	1	87317063	

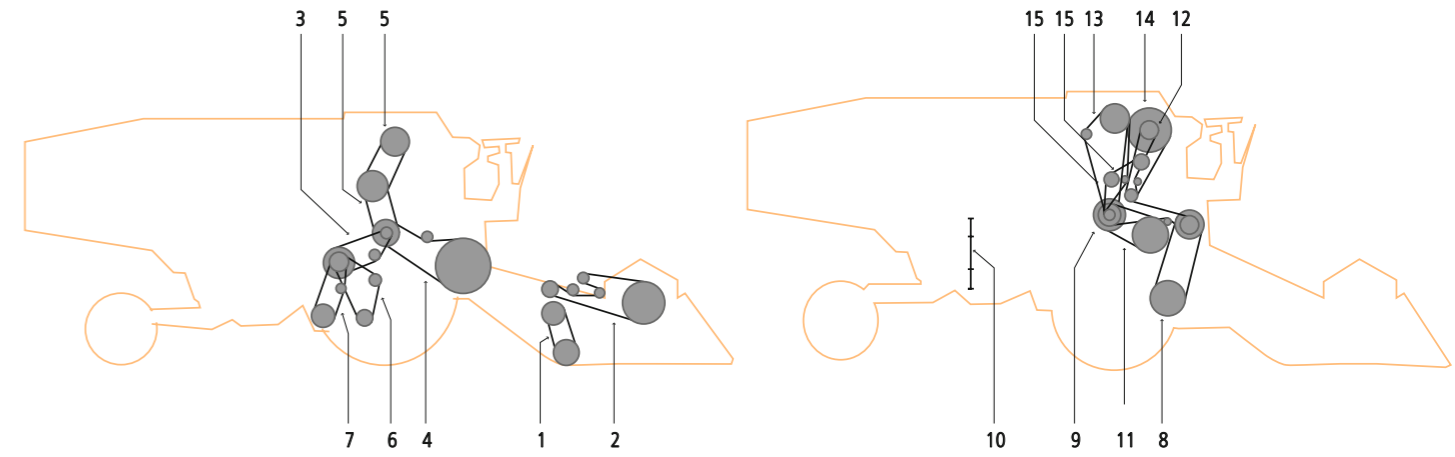
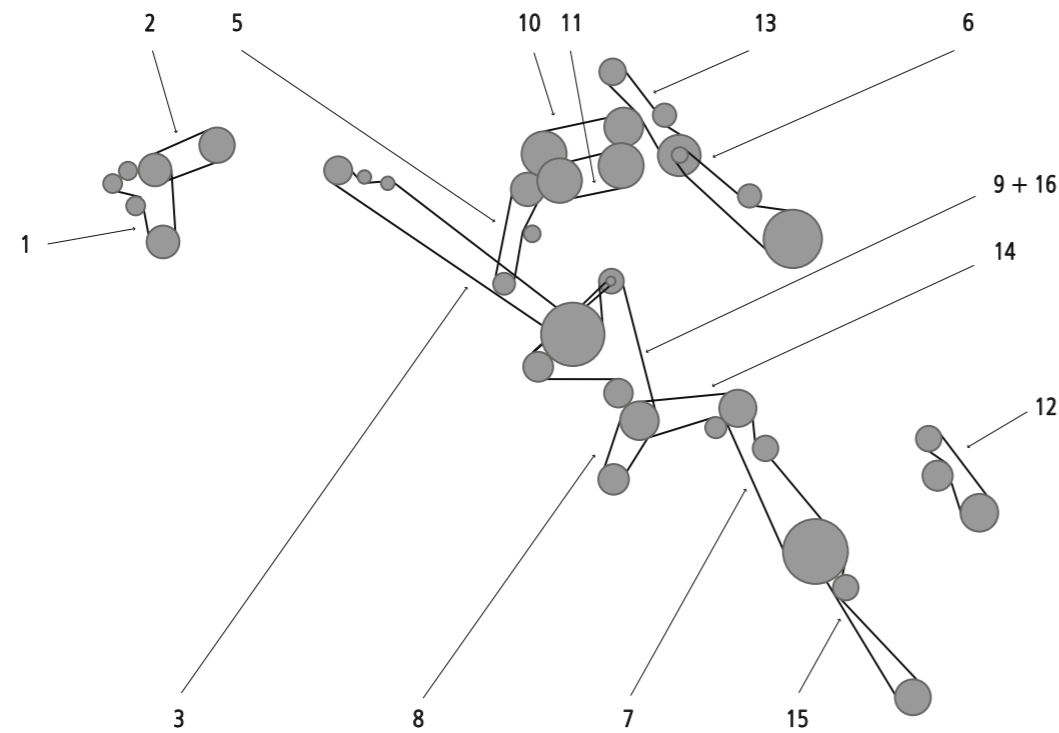
X - not in standard offer / brak w standardowej ofercie

ITEM / POZYCJA	APPLICATION	OPIS	QUANTITY OF V-BELTS IN DRIVE / ILOŚĆ PASÓW W ZESPOLE	OE PART NUMBER / NUMER KATALOGOWY	COMMENT / UWAGI
1	A/C COMPRESSOR	KOMPRESOR KLIMATYZACJI	1	84238514	X
2	FAN DRIVE	NAPĘD WENTYLATORA	1	47463606	X
2	FAN DRIVE	NAPĘD WENTYLATORA	1	47411931	X
3	ALTERNATOR	ALTERNATOR	1	47506727	X
3	ALTERNATOR	ALTERNATOR	1	47513876	X
3	ALTERNATOR	ALTERNATOR	1	47569912	X
4	AIR SCREEN	KOSZ FILTRACYJNY	1	47635775	X
4	AIR SCREEN	KOSZ FILTRACYJNY	1	47635791	X
5	VACUUM FAN	WENTYLATOR WYCIĄGOWY	1	47628753	X
5	VACUUM FAN	WENTYLATOR WYCIĄGOWY	1	47623161	X
6	CLEANING SYSTEM DRIVE	NAPĘD ZESPOŁU WIALNI	1	87317063	
7	CLEAN GRAIN ELEVATOR DRIVE, SINGLE/ 2 SPEED	NAPĘD PRZENOŚNIKA ZIARNA, POJEDYNCZY / 2 BIEGI	1	86975809	
8	SINGLE DRIVE, UNLOAD, 4.0 BU/ SEC	NAPĘD POJEDYNCZY, WYŁADUNEK, 4.0 BU/SEC	1	84376860	X
9	DUAL DRIVE, UNLOAD, 4.0/ 4.5 BU/SEC CLUTCH	NAPĘD DWUBIEGOWY, WYŁADUNEK, 4.0/ 4.5 BU/SEC SPRZĘGŁO	1	84345673	X
10	DUAL DRIVE, UNLOAD, 4.0/ 4.5 BU/SEC, DRIVE	NAPĘD DWUBIEGOWY, WYŁADUNEK, 4.0/ 4.5 BU/SEC NAPĘD	1	84345674	X
11	TAILINGS PROCESSOR	UKŁAD PRZETWARZANIA NIEDOMŁÓCONYCH KŁOSÓW	1	87283139	X
12	CHOPPER DRIVE	NAPĘD SIECZKARNI	1	86517680	
13	OSCILLATING CHAFF PAN	OSCYLACYJNY ODBIERALNIK PLEW	1	84154916	X

X - not in standard offer / brak w standardowej ofercie

ITEM / POZYCJA	APPLICATION	OPIS	QUANTITY OF V-BELTS IN DRIVE / ILOŚĆ PASÓW W ZESPOLE	OE PART NUMBER / NUMER KATALOGOWY	COMMENT / UWAGI
1	A/C COMPRESSOR	KOMPRESOR KLIMATYZACJI		84238514	X
2	FAN DRIVE	NAPĘD WENTYLATORA		47463606	X
2	FAN DRIVE	NAPĘD WENTYLATORA		47411931	X
3	ALTERNATOR	ALTERNATOR		47506727	X
3	ALTERNATOR	ALTERNATOR		47513876	X
3	ALTERNATOR	ALTERNATOR		47569912	X
4	AIR SCREEN	KOSZ FILTRACYJNY		47635775	X
4	AIR SCREEN	KOSZ FILTRACYJNY		47635791	X
5	VACUUM FAN	WENTYLATOR WYCIĄGOWY		47628753	X
5	VACUUM FAN	WENTYLATOR WYCIĄGOWY		47623161	X
6	CLEANING SYSTEM DRIVE	NAPĘD ZESPOŁU WIALNI		87317063	
7	CLEAN GRAIN ELEVATOR DRIVE, SINGLE/ 2 SPEED	NAPĘD PRZENOŚNIKA ZIARNA, POJEDYNCZY / 2 BIEGI		86975809	
8	SINGLE DRIVE, UNLOAD, 4.0 BU/ SEC	NAPĘD POJEDYNCZY, WYŁADUNEK, 4.0 BU/SEC		84376860	X
9	DUAL DRIVE, UNLOAD, 4.0/ 4.5 BU/SEC CLUTCH	NAPĘD DWUBIEGOWY, WYŁADUNEK, 4.0/ 4.5 BU/SEC SPRZĘGŁO		84345673	X
10	DUAL DRIVE, UNLOAD, 4.0/ 4.5 BU/SEC, DRIVE	NAPĘD DWUBIEGOWY, WYŁADUNEK, 4.0/ 4.5 BU/SEC NAPĘD		84345674	X
11	TAILINGS PROCESSOR	UKŁAD PRZETWARZANIA NIEDOMŁÓCONYCH KŁOSÓW		87283139	X
12	CHOPPER DRIVE	NAPĘD SIECZKARNI		86517680	
13	OSCILLATING CHAFF PAN	OSCYLACYJNY ODBIERALNIK PLEW		84154916	X

X - not in standard offer / brak w standardowej ofercie



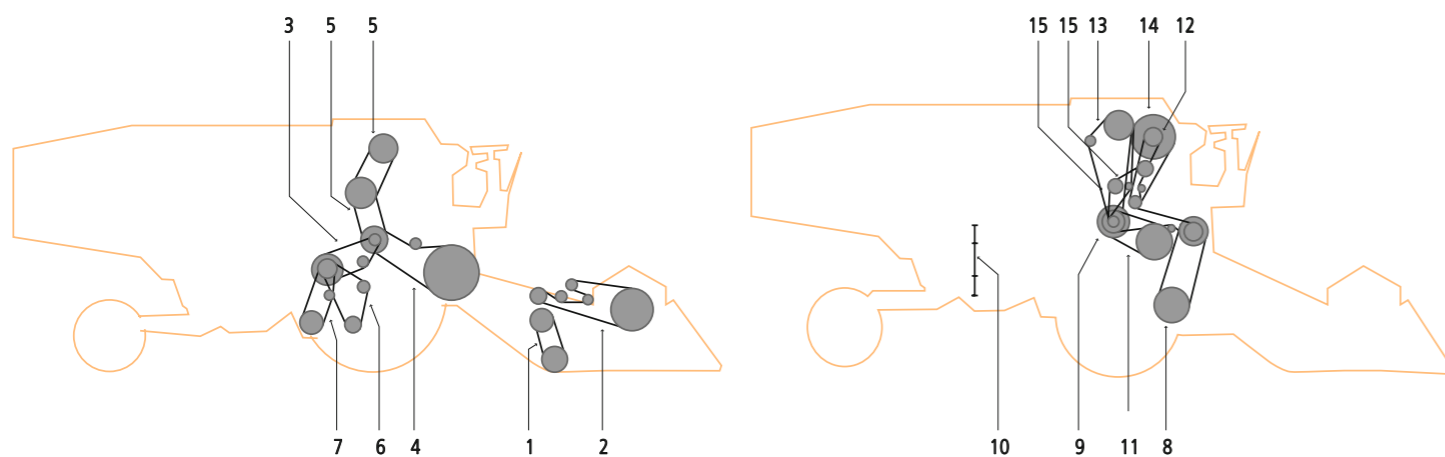
ITEM / POZYCJA	APPLICATION	OPIS	QUANTITY OF V-BELTS IN DRIVE / ILOŚĆ PASÓW W ZESPOLE	OE PART NUMBER / NUMER KATALOGOWY	COMMENT / UWAGI
1	WATER PUMP, FAN, ALTERNATOR	NAPĘD POMPY WODNEJ, WENTYLATORA, ALTERNATORA	1	J911572	X
1	WATER PUMP, FAN, ALTERNATOR	NAPĘD POMPY WODNEJ, WENTYLATORA, ALTERNATORA	1	J911574	X
2	AIR CONDITIONING COMPRESSOR	NAPĘD KOMPRESORA KLIMATYZACJI	1	396829R1	
3	STRAW SPREADER DRIVE	NAPĘD ROZTRZĄSACZA SŁOMY	1	196371C1	
5	STRAW CHOPPER DRIVE	NAPĘD ROZDRABNIACZA SŁOMY	1	1347160C1	
5	STRAW CHOPPER DRIVE	NAPĘD ROZDRABNIACZA SŁOMY	1	1315266C1	
6	UNLOADER AUGER DRIVE	NAPĘD ŚLIMAKA WYSYPU ZBIORNIKA	1	191291C1	
6	UNLOADER AUGER DRIVE	NAPĘD ŚLIMAKA WYSYPU ZBIORNIKA	1	1989217C1	
7	FEEDER DRIVE	NAPĘD PRZENOŚNIKA POCHYLEGO	1	194528C1	
8	CLEANING FAN DRIVE	NAPĘD WIALNI CZYSZCZĄCEJ	1	1541569C1	
8	CLEANING FAN DRIVE	NAPĘD WIALNI CZYSZCZĄCEJ	1	195396C2	
9	ELEVATOR DRIVE UNIT	JEDNOSTKA NAPĘDU PRZENOŚNIKA	1	186509C2	X
10	SEPARATOR DRIVE	NAPĘD SEPARATORA	1	1330499C1	
10	SEPARATOR DRIVE	NAPĘD SEPARATORA	1	1541702C1	
11	ROTOR DRIVE	NAPĘD ROTORA	1	244422A1	X
12	REEL DRIVE PUMP	POMPA NAPĘDU MOTOWIDEŁ	1	1315226C1	
12	REEL DRIVE PUMP	POMPA NAPĘDU MOTOWIDEŁ	1	1321565C1	
12	REEL DRIVE PUMP	POMPA NAPĘDU MOTOWIDEŁ	1	1330311C2	X
12	REEL DRIVE PUMP	POMPA NAPĘDU MOTOWIDEŁ	1	1979607C1	
13	AUXILIARY PUMP DRIVE	NAPĘD POMPY POMOCNICZEJ	1	1347358C1	
13	AUXILIARY PUMP DRIVE	NAPĘD POMPY POMOCNICZEJ	1	1541700C1	
13	AUXILIARY PUMP DRIVE	NAPĘD POMPY POMOCNICZEJ	1	1970116C1	
14	FAN JACKSHAFT DRIVE	NAPĘD WAŁKA POŚREDNIEGO DMUCHAWY	1	188213C1	
15	FEEDER JACKSHAFT DRIVE	NAPĘD WAŁKA POŚREDNIEGO PRZENOŚNIKA POCHYLEGO	1	1313097C3	
15	FEEDER JACKSHAFT DRIVE	NAPĘD WAŁKA POŚREDNIEGO PRZENOŚNIKA POCHYLEGO	1	1308489C2	
16	CLEANING UNIT DRIVE WITH STRAW CHOPPER	NAPĘD JEDNOSTKI CZYSZCZĄCEJ	1	181055C1	
19	FAN JACKSHAFT DRIVE	NAPĘD WAŁKA POŚREDNIEGO DMUCHAWY	1	181359C1	X
20	SLOW SPEED FAN JACKSHAFT	WOLNOOBROTOWY NAPĘD WAŁKA DMUCHAWY	1	610521R1	
21	CHAFT SPREADER UPPER	NAPĘD GÓRNY ROZTRZĄSACZA PLEW	1	123305A1	
22	CHAFT SPREADER LOWER	NAPĘD DOLNY ROZTRZĄSACZA PLEW	1	123307A1	

X - not in standard offer / brak w standardowej ofercie

ITEM / POZYCJA	APPLICATION	OPIS	QUANTITY OF V-BELTS IN DRIVE / ILOŚĆ PASÓW W ZESPOLE	OE PART NUMBER / NUMER KATALOGOWY	COMMENT / UWAGI
3	MAIN DRIVE FARMALL 700 800 900 SERIES (LH)	NAPĘD GŁÓWNY	1	200380C1	
4	MAIN DRIVE FARMALL 700 800 900 SERIES (RH)	NAPĘD GŁÓWNY	1	200381C2	
5	MAIN DRIVE FARMALL 656 TRACTOR 1000 (RH)	NAPĘD GŁÓWNY	1	158797C1	
6	MAIN DRIVE FARMALL 400 450 460 560 (RH)	NAPĘD GŁÓWNY	1	191305C1	
8	FAN DRIVE	NAPĘD WENTYLATORA	1	672177R1	

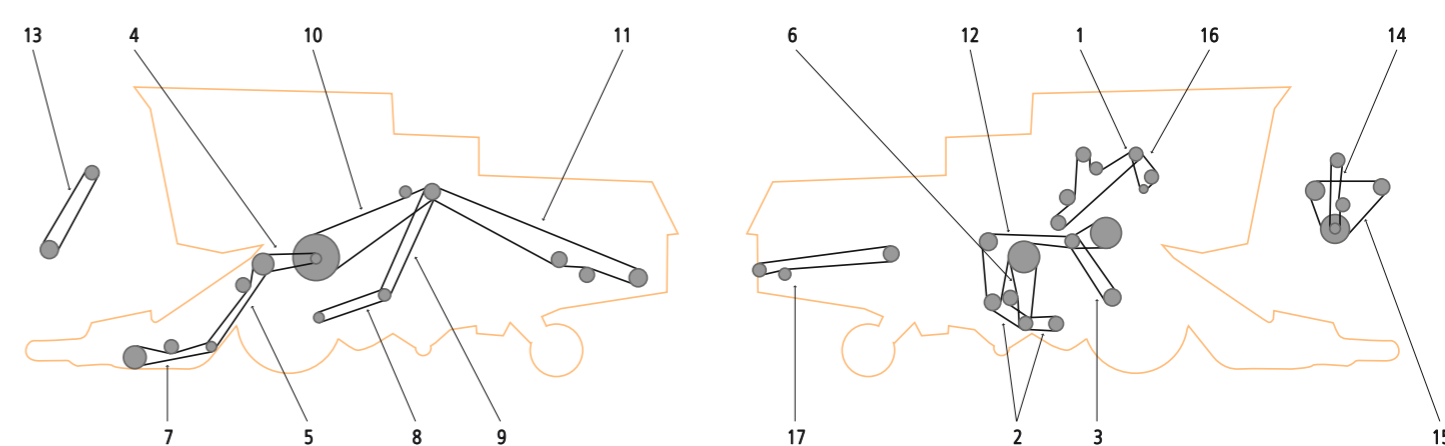
X - not in standard offer / brak w standardowej ofercie





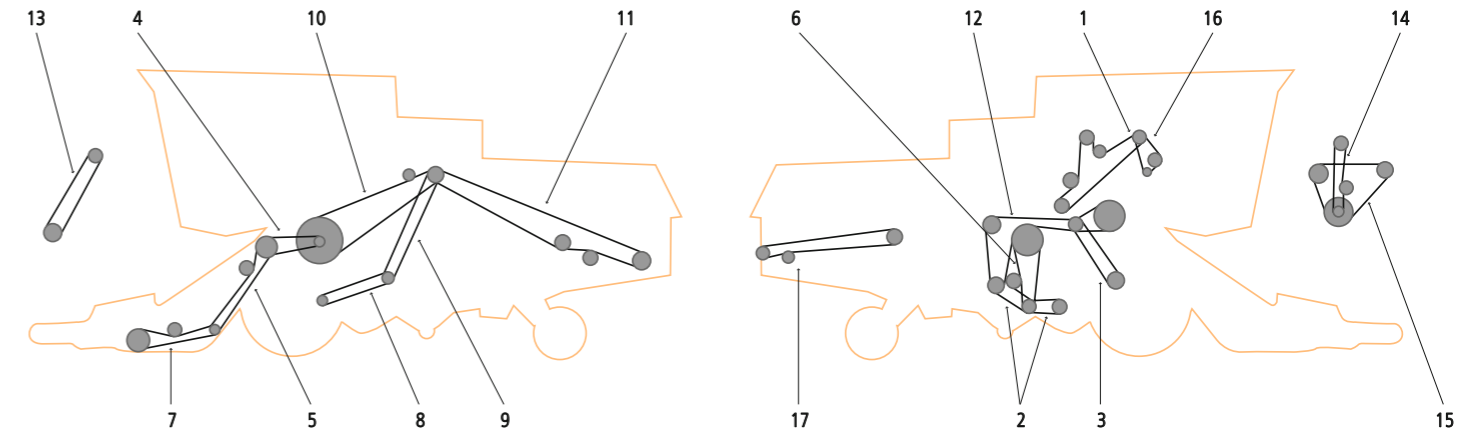
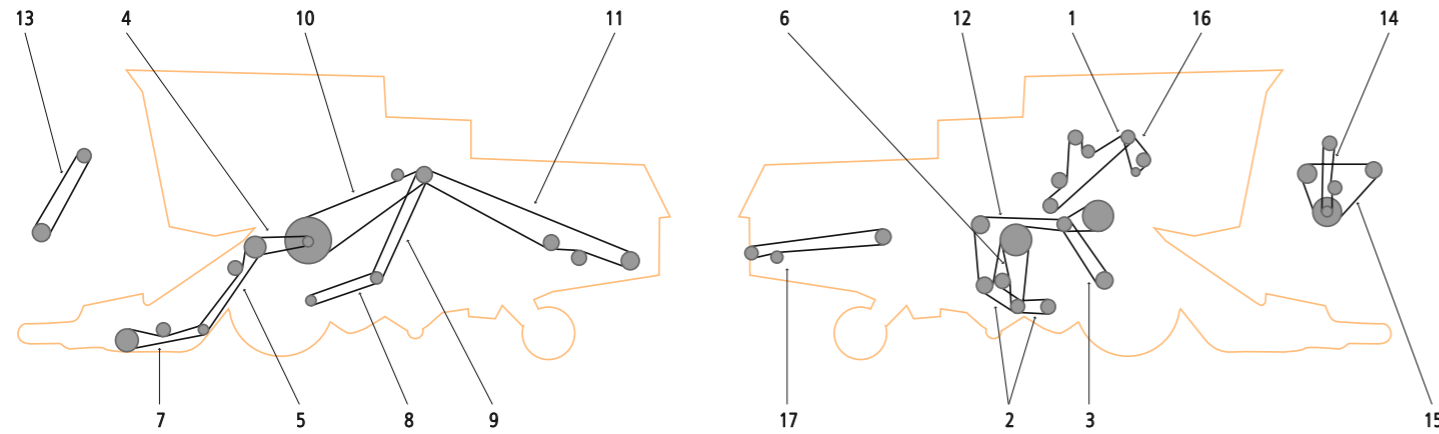
ITEM / POZYCJA	APPLICATION	OPIS	QUANTITY OF V-BELTS IN DRIVE / ILOŚĆ PASÓW W ZESPOLE	OE PART NUMBER / NUMER KATALOGOWY	COMMENT / UWAGI
1	ELEVATOR AUGER DRIVE (TWO USED)	NAPĘD PRZENOŚNIKA ZBOŻOWEGO	1	209002C1	
2	ELEVATOR AUGER COUNTERSHAFT	NAPĘD PRZENOŚNIKA ZBOŻOWEGO	1	160173C1	
3	ELEVATOR CHOKE INDICATOR	NAPĘD PRZENOŚNIKA	1	209038C1	
4	CROSS AUGER	NAPĘD ŚLIMAKA	1	203651C1	
5	CROSS AUGER COUNTERSHAFT	NAPĘD ŚLIMAKA	1	203644C1	
6	FINGER HARVESTER HEAD UNIT DRIVE	NAPĘD PRZYSTAWKI	1	559064R1	
7	BRUSH ROLL UNIT GEAR BOX DRIVE	NAPĘD PRZEKŁADNI	1	203658C1	
8	AUXILIARY DRIVE COUNTERSHAFT	POMOCNICZY NAPĘD PRZYSTAWKI	1	203612C1	
10	FAN, ALTERNATOR AND WATER PUMP	NAPĘD WENTYLATORA	1	59969C91	

X - not in standard offer / brak w standardowej ofercie



ITEM / POZYCJA	APPLICATION	OPIS	QUANTITY OF V-BELTS IN DRIVE / ILOŚĆ PASÓW W ZESPOLE	OE PART NUMBER / NUMER KATALOGOWY	COMMENT / UWAGI
1	KNIFE DRIVE	NAPĘD KOSY	1	188716C1	
1	REEL VARIATOR	NAPĘD MOTOWIDŁA	1	Z20459	X
2	REEL DRIVE, PRIMARY FRONT	NAPĘD MOTOWIDŁA	1	132374C1	
2	REEL DRIVE	NAPĘD MOTOWIDŁA	1	Z20562	
3	DRAPER, COUNTERSHAFT DRIVE	NAPĘD PRZENOŚNIKA	1	1336591C1	
3	HYDRAULIC PUMP	POMPA HYDRAULICZNA	1	Z21254	
4	MAIN DRIVE	NAPĘD GŁÓWNY	1	1276589C1	
4	UNLOADING SYSTEM	SYSTEM ROZŁADUNKU	1	Z21400	
5	DRAPER DRIVE WIDE OPENING	NAPĘD PRZENOŚNIKA	1	617910R1	
5	SICKLE KNIFE DRIVE	NAPĘD KOSY	1	Z21500	
5	SICKLE KNIFE DRIVE	NAPĘD KOSY	1	Z21501	
6	DRAPER DRIVE, NARROW OPENING	NAPĘD PRZENOŚNIKA	1	1276707C1	
6	STRAW ELEVATOR	NAPĘD ROZTRZĄSACZA	1	Z21501	
7	THRESHING DRUM	NAPĘD MŁOCARNI	1	Z22648	
8	TRACTION DRIVE	NAPĘD JAZDY	1	P40058	
9	FAN VARI-DRIVE	NAPĘD WIALNI	1	Z20459	X
10	FAN DRIVE	NAPĘD WENTYLATORA	1	Z20703	
11	ROTARY SCREEN - ELEVATOR	KOSZ CHŁODNICY - PRZENOŚNIK	1	Z20743	
12	CYLINDER DRIVE	NAPĘD BĘBNA MŁÓCĄCEGO	1	Z20823	
13	PUMP DRIVE - ENGINE	NAPĘD POMPY HYDRAULICZNEJ Z SILNIKA	1	Z22208	

X - not in standard offer / brak w standardowej ofercie

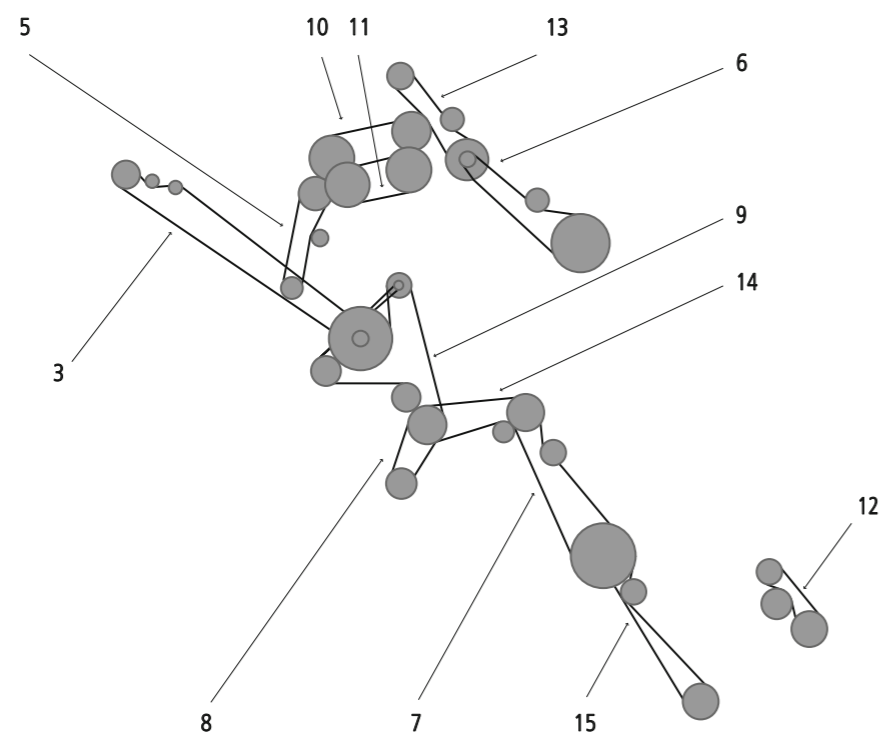


ITEM / POZYCJA	APPLICATION	OPIS	QUANTITY OF V-BELTS IN DRIVE / ILOŚĆ PASÓW W ZESPOLE	OE PART NUMBER / NUMER KATALOGOWY	COMMENT / UWAGI
1	KNIFE DRIVE	NAPĘD KOSY	1	188716C1	
2	REEL DRIVE. PRIMARY FRONT	NAPĘD MOTOWIDŁA	1	132374C1	
3	REEL DRIVE. PRIMARY REAR	NAPĘD MOTOWIDŁA	1	135594C1	
4	REEL DRIVE FRONT	NAPĘD MOTOWIDŁA	1	617910R1	
5	DRAPER. COUNTERSHAFT DRIVE	NAPĘD PRZENOŚNIKA	1	1336591C1	
6	MAIN DRIVE BELT	NAPĘD GŁÓWNY	1	1276589C1	
8	MAIN DRIVE DUPLEX REAR	NAPĘD GŁÓWNY	1	1276634C1	
9	DRAPER DRIVE. WIDE OPENING	NAPĘD PRZENOŚNIKA	1	617910C1	X
10	DRAPER DRIVE. NARROW OPENING	NAPĘD PRZENOŚNIKA	1	1276707C1	
11	DRAPER DRIVE. RH REAR	NAPĘD PRZENOŚNIKA TYLNI	1	610521C1	
12	DRAPER DRIVE. LH REAR	NAPĘD PRZENOŚNIKA TYLNI	1	492103C1	

X - not in standard offer / brak w standardowej ofercie

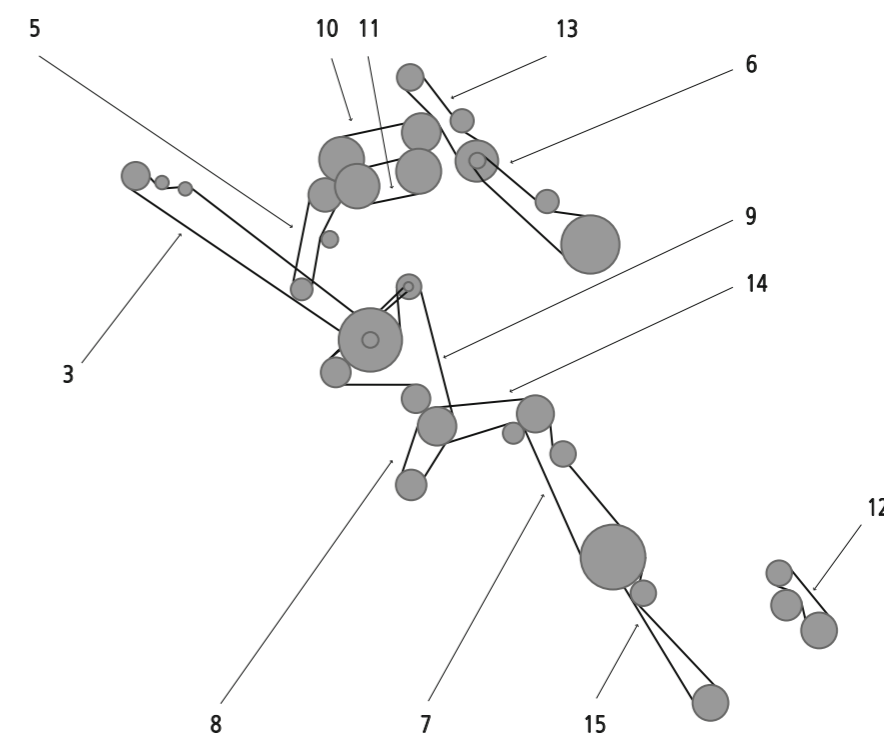
ITEM / POZYCJA	APPLICATION	OPIS	QUANTITY OF V-BELTS IN DRIVE / ILOŚĆ PASÓW W ZESPOLE	OE PART NUMBER / NUMER KATALOGOWY	COMMENT / UWAGI
0	PLATFORM JACKSHAFT DRIVE BOLT ATT. FEEDER	NAPĘD PRZENOŚNIKA	1	150816C1	
0	ROTARY AIR SCREEN DRIVE	NAPĘD KOSZA FILTRACYJNEGO POWIETRZA	1	168725C1	
0	ROTARY AIR SCREEN DRIVE	NAPĘD KOSZA FILTRACYJNEGO POWIETRZA	1	172360C1	
0	FEEDER. FAST SPEED FOR BOLT ATT. FEEDER	PRZENOŚNIK	1	633728R2	
1	COMPRESSOR DRIVE. DIESEL	NAPĘD KOMPRESORA	1	65337C2	X
2	CYLINDER DRIVE	NAPĘD BĘBNA MŁÓCĄCEGO	1	174509C1	
3	FEEDER DRIVE	NAPĘD PRZENOŚNIKA POCHYLEGO	1	165053C2	X
3	FEEDER JACKSHAFT DRIVE	NAPĘD WAŁKA POŚREDNIEGO PRZENOŚNIKA POCHYLEGO	1	176565C1	
3	FEEDER JACKSHAFT DRIVE	NAPĘD WAŁKA POŚREDNIEGO PRZENOŚNIKA POCHYLEGO	1	176566C1	X
3	FEEDER JACKSHAFT DRIVE	NAPĘD WAŁKA POŚREDNIEGO PRZENOŚNIKA POCHYLEGO	1	176567C1	
4	HYD REEL PUMP DRIVE. GAS	NAPĘD POMPY HYDRAULICZNEJ MOTOWIDŁA	1	178763C1	X
5	KNIFE DRIVE	NAPĘD KOSY	1	178019C1	
6	SEPARATOR DRIVE. GAS	NAPĘD SEPARATORA	1	166598C2	
6	SEPARATOR DRIVE. DIESEL	NAPĘD SEPARATORA	1	168665C2	
7	SHAKER SHAFT DRIVE 265 RPM	NAPĘD ZESPOŁU KOSZA SITOWEGO	1	564494R2	
7	SHAKER SHAFT DRIVE 280 RPM	NAPĘD ZESPOŁU KOSZA SITOWEGO	1	632102R1	
8	STRAW CHOPPER DRIVE	NAPĘD ROZDRABNIACZA SŁOMY	1	160870C1	
8	STRAW CHOPPER DRIVE	NAPĘD ROZDRABNIACZA SŁOMY	1	174642C1	
8	STRAW CHOPPER DRIVE	NAPĘD ROZDRABNIACZA SŁOMY	1	177499C1	
9	STRAW SPREADER DRIVE	NAPĘD ROZTRZĄSACZA SŁOMY	1	161820C1	
9	STRAW SPREADER DRIVE	NAPĘD ROZTRZĄSACZA SŁOMY	1	161821C1	
9	STRAW SPREADER DRIVE	NAPĘD ROZTRZĄSACZA SŁOMY	1	196370C1	
10	UNLOADER JACKSHAFT DRIVE	NAPĘD WYSYPU	1	160173C1	
11	CYLINDER DRIVE. VARIABLE	NAPĘD BĘBNA MŁÓCĄCEGO	1	164006C1	X
12	FAN. WATER PUMP. GENERATOR (DSL ONLY)	NAPĘD WENTYLATORA I GENERATORA	1	528419R91	X
12	FAN. WATER PUMP. GENERATOR WITH 414 ENGINE	NAPĘD WENTYLATORA I GENERATORA	2	537072R92	
13	SEPARATOR FAN DRIVE	NAPĘD DMUCHAWY SEPARATORA	1	164999C2	X
14	COMPRESSOR DRIVE (GAS)	NAPĘD KOMPRESORA	1	167031C2	
15	FAN. ALTERNATOR. WATER PUMP	NAPĘD WENTYLATORA	1	402253R91	
16	GOVERNOR BELT	NAPĘD REGULATORA PRZEKŁADNI	1	532031R2	
17	CYLINDER SPEED DRIVE	NAPĘD BĘBNA MŁÓCĄCEGO	1	167099C1	X

X - not in standard offer / brak w standardowej ofercie



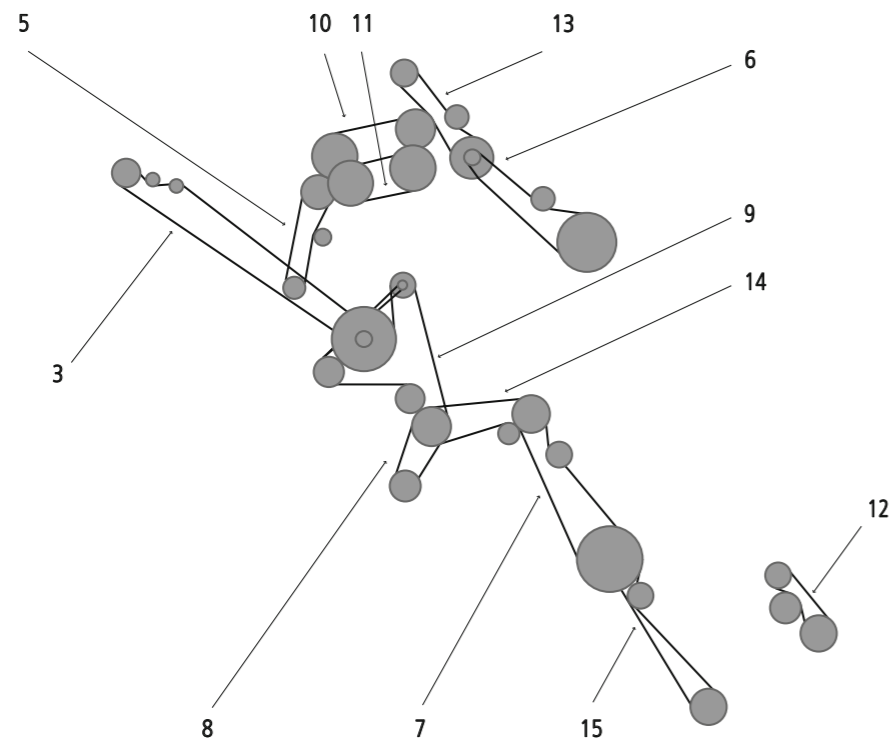
ITEM / POZYCJA	APPLICATION	OPIS	QUANTITY OF V-BELTS IN DRIVE / ILOŚĆ PASÓW W ZESPOLE	OE PART NUMBER / NUMER KATALOGOWY	COMMENT / UWAGI
1	FAN DRIVE	NAPĘD WENTYLATORA	1	793037R2	
2	MAIN DRIVE	NAPĘD GŁÓWNY	1	793051R2	X
3	STRAW WALKER DRIVE	NAPĘD WYTRZĄSACZY	1	793094R2	
4	PLATFORM DRIVE	NAPĘD PRZENOŚNIKA	1	793398R2	
5	TRACTION DRIVE	NAPĘD JAZDY	1	793417R1	
6	TRACTION VARI-DRIVE	NAPĘD JAZDY	1	794464R2	X
7	RETURNS AUGER	NAPĘD ZESPOŁU WIALNI	1	553456R2	
8	UNLOADING DRIVE	NAPĘD ZESPOŁU WYŁADUNKU	1	790522R1	
9	RETURNS ELEVATOR	ELEWATOR KŁOSOWY	1	794484R1	

X - not in standard offer / brak w standardowej ofercie



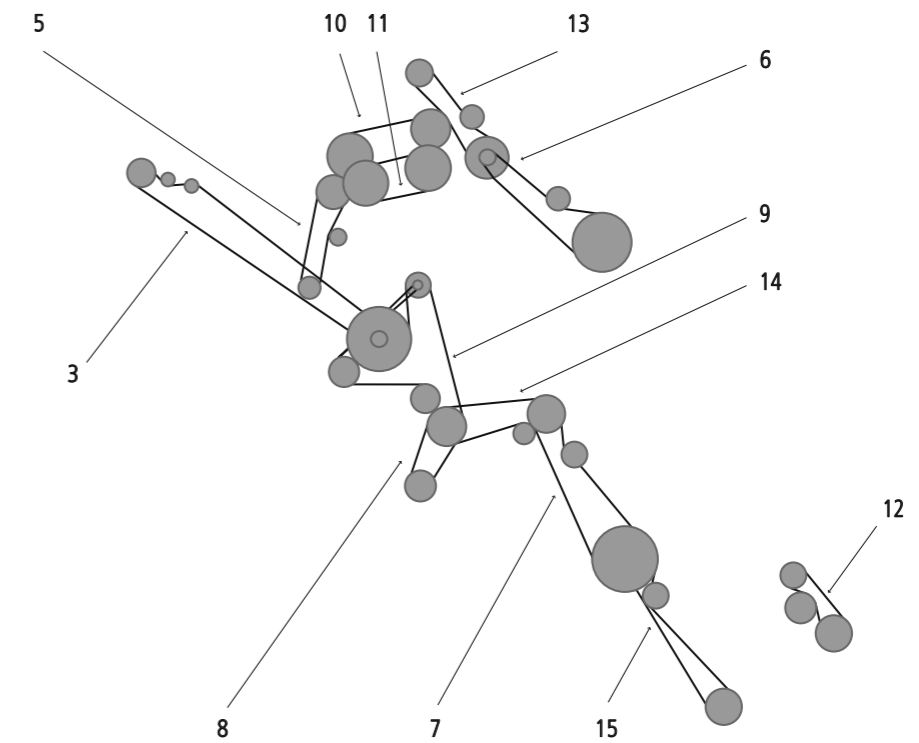
ITEM / POZYCJA	APPLICATION	OPIS	QUANTITY OF V-BELTS IN DRIVE / ILOŚĆ PASÓW W ZESPOLE	OE PART NUMBER / NUMER KATALOGOWY	COMMENT / UWAGI
1	FEEDER AUGER - REEL VARI-DRIVE	NAPĘD PRZENOŚNIKA ZBOŻOWEGO	1	1408855R1	
2	PLATFORM DRIVE	NAPĘD PRZENOŚNIKA	1	3155127R1	
2	PLATFORM DRIVE	NAPĘD PRZENOŚNIKA	1	793398R2	
3	MAIN DRIVE	NAPĘD GŁÓWNY	4	1408761R1	
4	JACKSHAFT - TRACTION DRIVE	NAPĘD POŚREDNI JAZDY	1	3155178R1	
5	TRACTION VARI-DRIVE	NAPĘD JAZDY	1	1409652R1	X
6	RETURN AUGER - FAN DRIVE	NAPĘD ŚLIMAKA PRZENOŚNIKA KŁOSOWEGO	1	553456R2	
7	TANK UNLOADER DRIVE	NAPĘD WYSYPU	1	3155177R1	
8	RETURN AUGER DRIVE	NAPĘD ŚLIMAKA PRZENOŚNIKA KŁOSOWEGO	1	553456R2	
9	RETURN ELEVATOR DRIVE	NAPĘD PRZENOŚNIKA POWROTNEGO	1	790522R1	
10	THRESHING DRUM VARI-DRIVE	NAPĘD BĘBNA MŁÓCĄCEGO	1	3156220R92	X
11	HYDRAULIC PUMP DRIVE	NAPĘD POMPY HYDRAULICZNEJ	1	769482R1	

X - not in standard offer / brak w standardowej ofercie



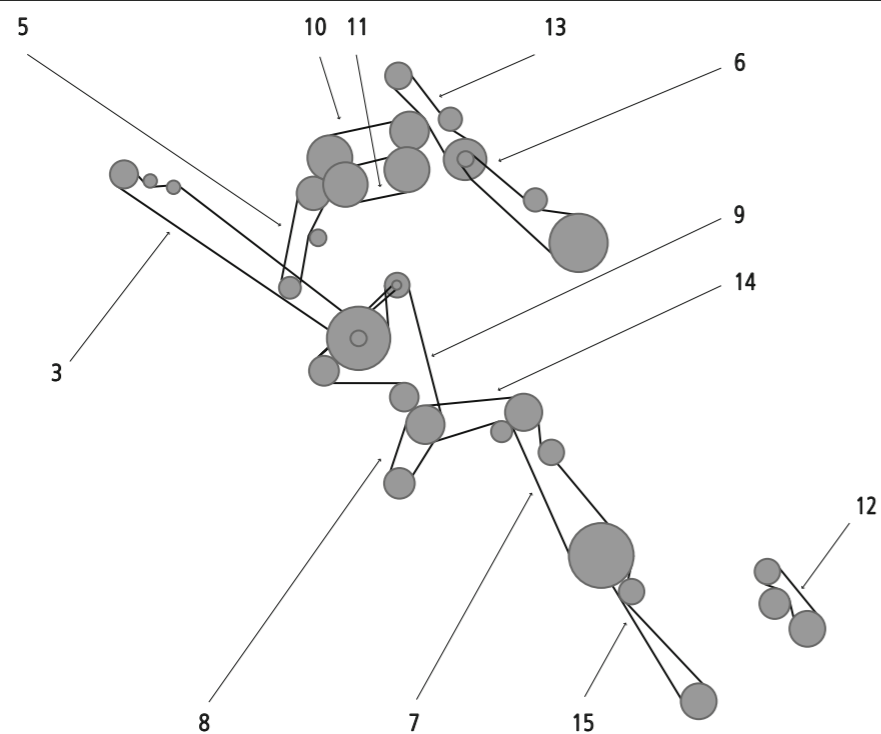
ITEM / POZYCJA	APPLICATION	OPIS	QUANTITY OF V-BELTS IN DRIVE / ILOŚĆ PASÓW W ZESPOLE	OE PART NUMBER / NUMER KATALOGOWY	COMMENT / UWAGI
1	FEEDER AUGER - REEL VARI-DRIVE	NAPĘD PRZENOŚNIKA ZBOŻOWEGO	1	1407123R1	
2	JACKSHAFT - PLATFORM DRIVE	NAPĘD POŚREDNI JAZDY	1	1408855R1	
2	JACKSHAFT - PLATFORM DRIVE	NAPĘD POŚREDNI JAZDY	1	1410279R1	
3	PLATFORM DRIVE	NAPĘD PRZENOŚNIKA	1	3155127R1	
4	MAIN DRIVE	NAPĘD GŁÓWNY	4	1408761R1	
5	JACKSHAFT - TRACTION DRIVE	NAPĘD POŚREDNI JAZDY	1	1410106R1	
7	RETURN AUGER - FAN DRIVE	NAPĘD ŚLIMAKA PRZENOŚNIKA KŁOSOWEGO	1	1408840R1	
8	TANK UNLOADER DRIVE	NAPĘD WYSYPU	1	1407324R1	
9	RETURN AUGER DRIVE	NAPĘD ŚLIMAKA PRZENOŚNIKA KŁOSOWEGO	1	553456R2	
10	RETURN ELEVATOR	NAPĘD PRZENOŚNIKA POWROTNEGO	1	790522R1	
11	THRESHING DRUM VARI-DRIVE	NAPĘD BĘBNA MŁÓCĄCEGO	1	3156220R92	X
12	HYDRAULIC PUMP DRIVE	NAPĘD POMPY HYDRAULICZNEJ	1	769482R1	

X - not in standard offer / brak w standardowej ofercie



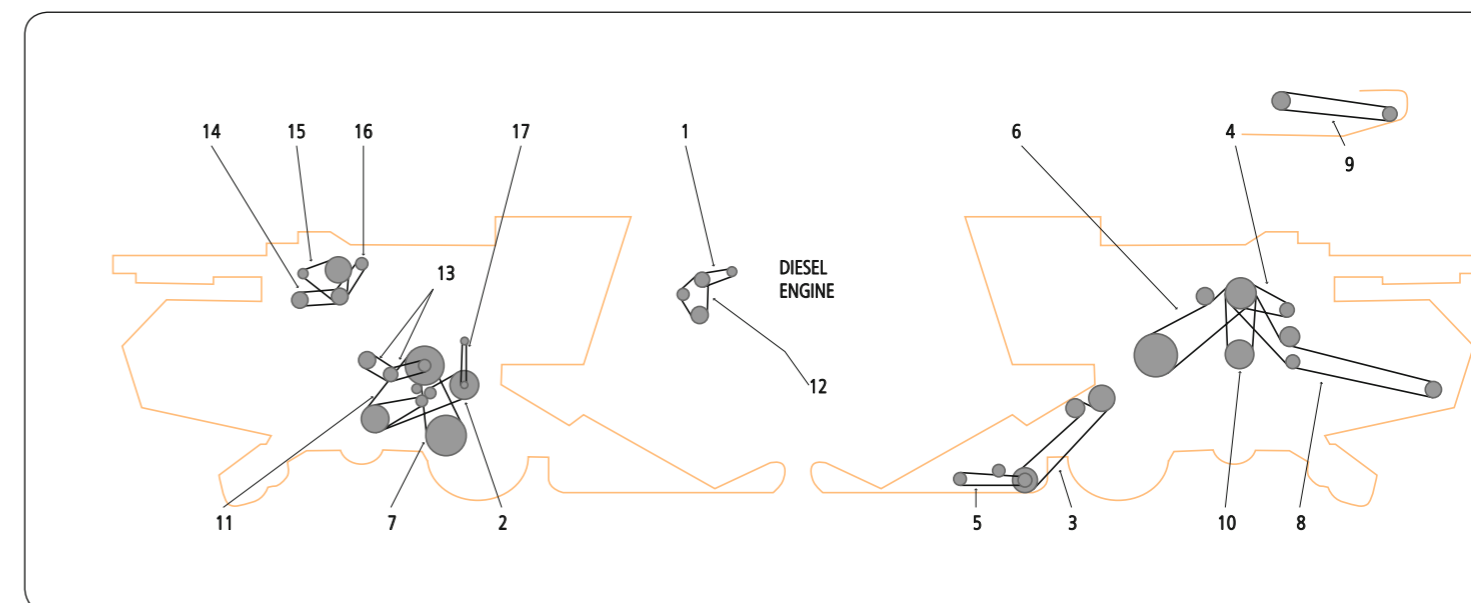
ITEM / POZYCJA	APPLICATION	OPIS	QUANTITY OF V-BELTS IN DRIVE / ILOŚĆ PASÓW W ZESPOLE	OE PART NUMBER / NUMER KATALOGOWY	COMMENT / UWAGI
1	FEEDER AUGER - REEL VARI-DRIVE	NAPĘD PRZENOŚNIKA ZBOŻOWEGO	1	1407123R1	
2	JACKSHAFT - PLATFORM DRIVE	NAPĘD POŚREDNI JAZDY	1	1408855R1	
2	JACKSHAFT - PLATFORM DRIVE	NAPĘD POŚREDNI JAZDY	1	1410279R1	
3	PLATFORM DRIVE	NAPĘD PRZENOŚNIKA	1	1410462R1	
4	MAIN DRIVE	NAPĘD GŁÓWNY	4	1407035R1	
5	JACKSHAFT - TRACTION DRIVE	NAPĘD POŚREDNI JAZDY	1	1410106R1	
7	RETURN AUGER - FAN DRIVE	NAPĘD ŚLIMAKA PRZENOŚNIKA KŁOSOWEGO	1	1408840R1	
7	RETURN AUGER - FAN DRIVE	NAPĘD ŚLIMAKA PRZENOŚNIKA KŁOSOWEGO	1	3158811R1	
8	TANK UNLOADER DRIVE	NAPĘD WYSYPU	1	1407324R1	
9	RETURN AUGER DRIVE	NAPĘD ŚLIMAKA PRZENOŚNIKA KŁOSOWEGO	1	726278R1	
10	RETURN ELEVATOR DRIVE	NAPĘD PRZENOŚNIKA POWROTNEGO	1	790522R1	
11	THRESHING DRUM VARI-DRIVE	NAPĘD BĘBNA MŁÓCĄCEGO	1	3156221R92	X
12	HYDRAULIC PUMP DRIVE	NAPĘD POMPY HYDRAULICZNEJ	1	769482R1	

X - not in standard offer / brak w standardowej ofercie



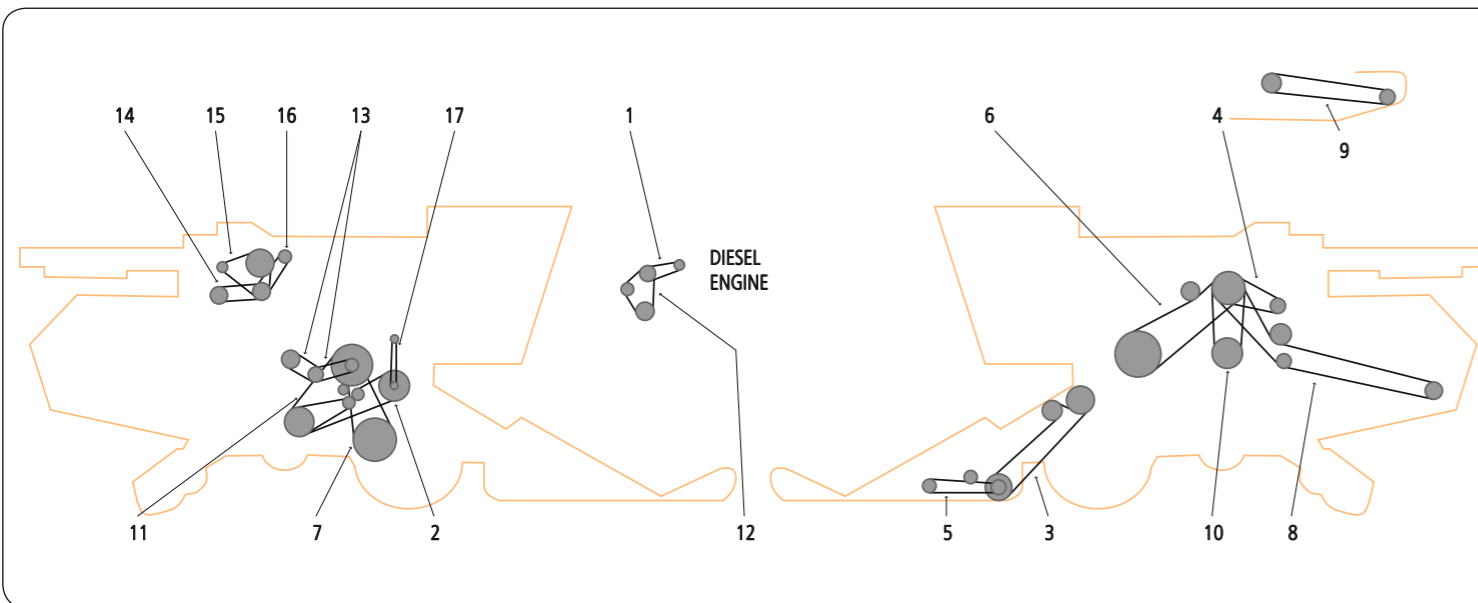
ITEM / POZYCJA	APPLICATION	OPIS	QUANTITY OF V-BELTS IN DRIVE / ILOŚĆ PASÓW W ZESPOLE	OE PART NUMBER / NUMER KATALOGOWY	COMMENT / UWAGI
1	FEEDER AUGER - REEL VARI-DRIVE	NAPĘD PRZENOŚNIKA ZBOŻOWEGO	1	1407123R1	
2	JACKSHAFT - PLATFORM DRIVE	NAPĘD POŚREDNI JAZDY	1	3158455R1	
3	PLATFORM DRIVE	NAPĘD PRZENOŚNIKA	1	1410462R1	
4	MAIN DRIVE	NAPĘD GŁÓWNY	4	1407035R1	
5	JACKSHAFT - TRACTION DRIVE	NAPĘD POŚREDNI JAZDY	1	3157094R1	
7	RETURN AUGER - FAN DRIVE	NAPĘD ŚLIMAKA PRZENOŚNIKA KŁOSOWEGO	1	3157600R1	
8	TANK UNLOADER DRIVE	NAPĘD WYSYPU	1	3157994R1	
9	RETURN AUGER DRIVE	NAPĘD ŚLIMAKA PRZENOŚNIKA KŁOSOWEGO	1	726278R1	
10	RETURN ELEVATOR DRIVE	NAPĘD PRZENOŚNIKA POWROTNEGO	1	790522R1	
11	THRESHING DRUM VARI-DRIVE	NAPĘD BĘBNA MŁÓCĄCEGO	1	3156221R92	X
11	THRESHING DRUM VARI-DRIVE	NAPĘD BĘBNA MŁÓCĄCEGO	1	3169965R91	X
12	HYDRAULIC PUMP DRIVE	NAPĘD POMPY HYDRAULICZNEJ	1	3159827R1	

X - not in standard offer / brak w standardowej ofercie



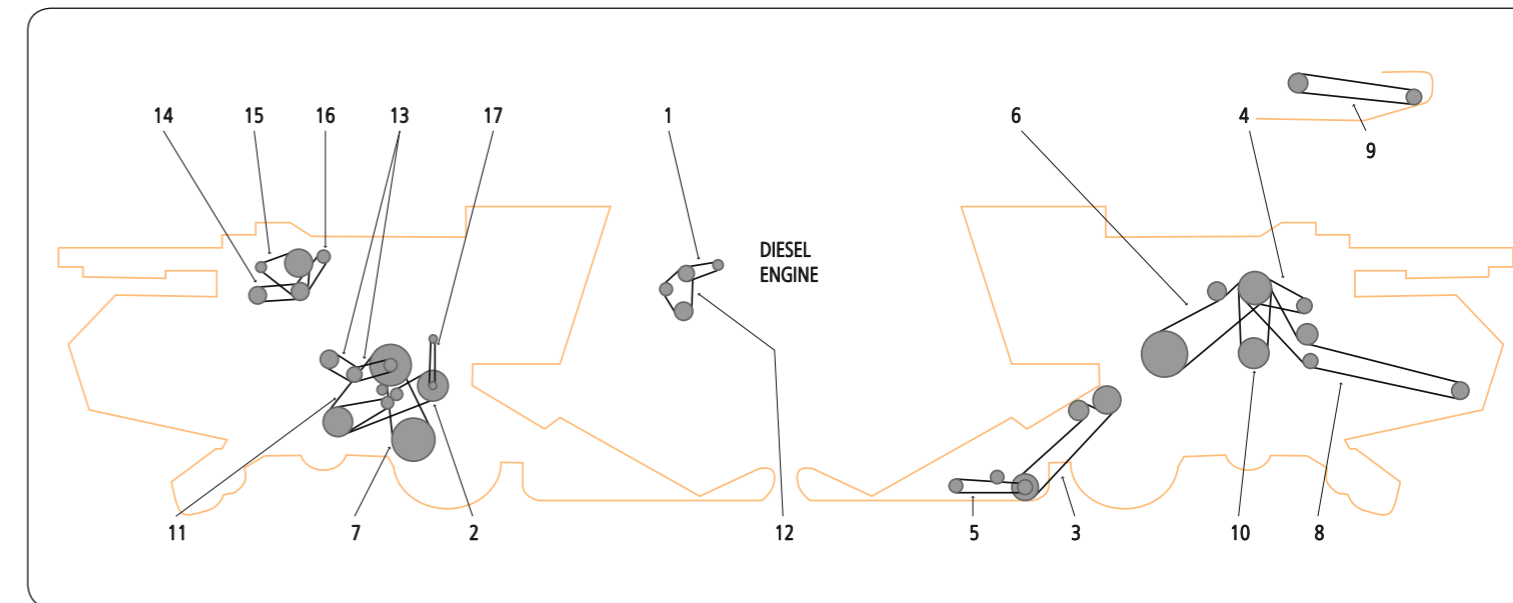
ITEM / POZYCJA	APPLICATION	OPIS	QUANTITY OF V-BELTS IN DRIVE / ILOŚĆ PASÓW W ZESPOLE	OE PART NUMBER / NUMER KATALOGOWY	COMMENT / UWAGI
4	UPPER AUGER	GÓRNY ŚLIMAK	1	726278R1	
5	UNLOAD - JACKSHAFT	NAPĘD WYSYPU	1	3175336R1	
6	CYLINDER DRIVE	NAPĘD BĘBNA MŁÓCĄCEGO	1	3175110R1	X
8	FEEDER - PLATFORM	NAPĘD PRZENOŚNIKA	1	3175036R1	
9	TRACTION UP	NAPĘD JEZDNY GÓRNY	1	3157738R1	
10	SEPARATOR	NAPĘD SEPARATORA	1	3172276R1	
11	TRACTION VARI	NAPĘD JAZDY	1	3176449R1	X
12	FAN - RETURN	WIALNIA	1	3176321R1	
13	FEEDER - JACKSHAFT	NAPĘD PRZENOŚNIKA	2	3175432R1	

X - not in standard offer / brak w standardowej ofercie



ITEM / POZYCJA	APPLICATION	OPIS	QUANTITY OF V-BELTS IN DRIVE / ILOŚĆ PASÓW W ZESPOLE	OE PART NUMBER / NUMER KATALOGOWY	COMMENT / UWAGI
4	UPPER AUGER	GÓRNY ŚLIMAK	1	726278R1	
5	UNLOAD - JACKSHAFT	NAPĘD WYSYPU	1	3157994R1	
6	CYLINDER DRIVE	NAPĘD BĘBNA MŁÓCĄCEGO	1	3175110R1	X
8	FEEDER - PLATFORM	NAPĘD PRZENOŚNIKA	1	3157741R1	
9	TRACTION UP	NAPĘD JEZDNY GÓRNY	1	3157094R1	
10	SEPARATOR	NAPĘD SEPARATORA	1	3172276R1	
12	FAN - RETURN	WIALNIA	1	3176321R1	
13	FEEDER - JACKSHAFT	NAPĘD PRZENOŚNIKA	1	3173480R1	

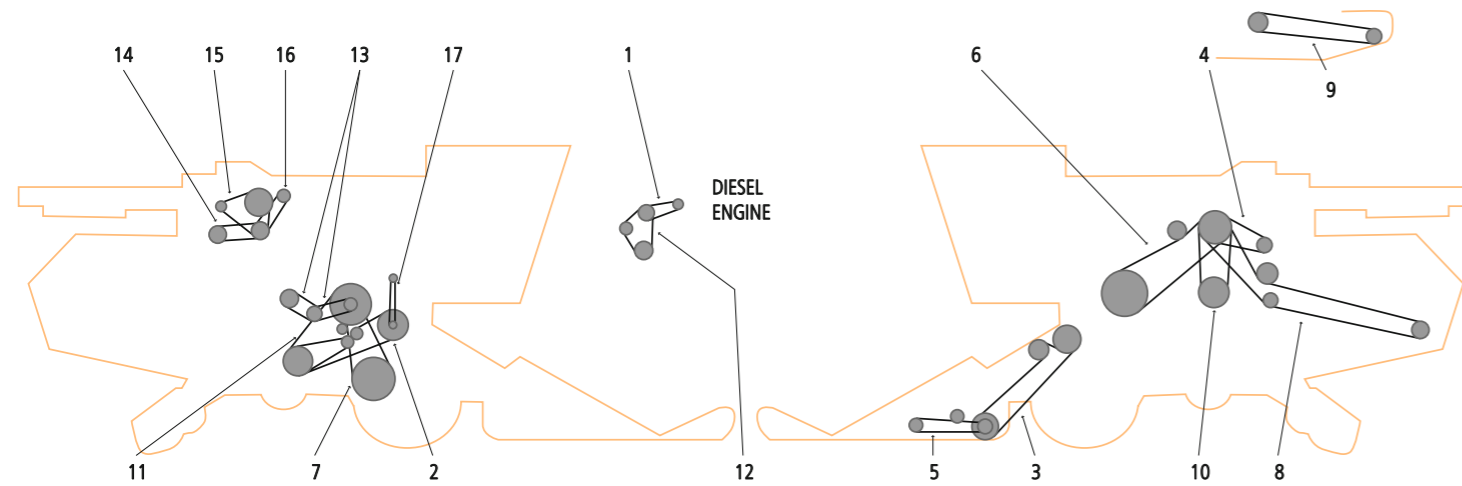
X - not in standard offer / brak w standardowej ofercie



ITEM / POZYCJA	APPLICATION	OPIS	QUANTITY OF V-BELTS IN DRIVE / ILOŚĆ PASÓW W ZESPOLE	OE PART NUMBER / NUMER KATALOGOWY	COMMENT / UWAGI
1	INTERMEDIATE SHAFT	NAPĘD PRZENOŚNIKA POCHYLEGO	1	790522R1	
4	UPPER AUGER	GÓRNY ŚLIMAK	1	726278R1	
5	CYLINDER DRIVE	NAPĘD BĘBNA MŁÓCĄCEGO	1	3168030R3	X
6	SEPARATOR	NAPĘD SEPARATORA	1	1407123R1	
7	RETURN ELEVATOR	NAPĘD PRZENOŚNIKA POWROTNEGO	1	1408855R1	
8	COUNTERSHAFT	NAPĘD POŚREDNI KOSZA CHŁODNICY	1	3168669R1	
9	DISCHARGE AUGER	NAPĘD WYSYPU ZBIORNIKA	1	3167361R1	
10	CUTTING TABLE	NAPĘD POŚREDNI HEDERA	1	3173115R1	X
11	FEEDER - PLATFORM	NAPĘD PRZENOŚNIKA	1	3167149R1	
12	TRACTION DRIVE	NAPĘD JAZDY	1	3173717R1	
13	TRACTION VARI-DRIVE	NAPĘD JAZDY	1	3179516R1	
15	FEEDER - JACKSHAFT	NAPĘD PRZENOŚNIKA	2	3173164R1	
17	RETURN AUGER - SHAKER	NAPĘD ŚLIMAKA PRZENOŚNIKA KŁOSOWEGO	1	3176489R1	
18	REEL VARIATOR	NAPĘD MOTOWIDŁA	1	1407123R1	

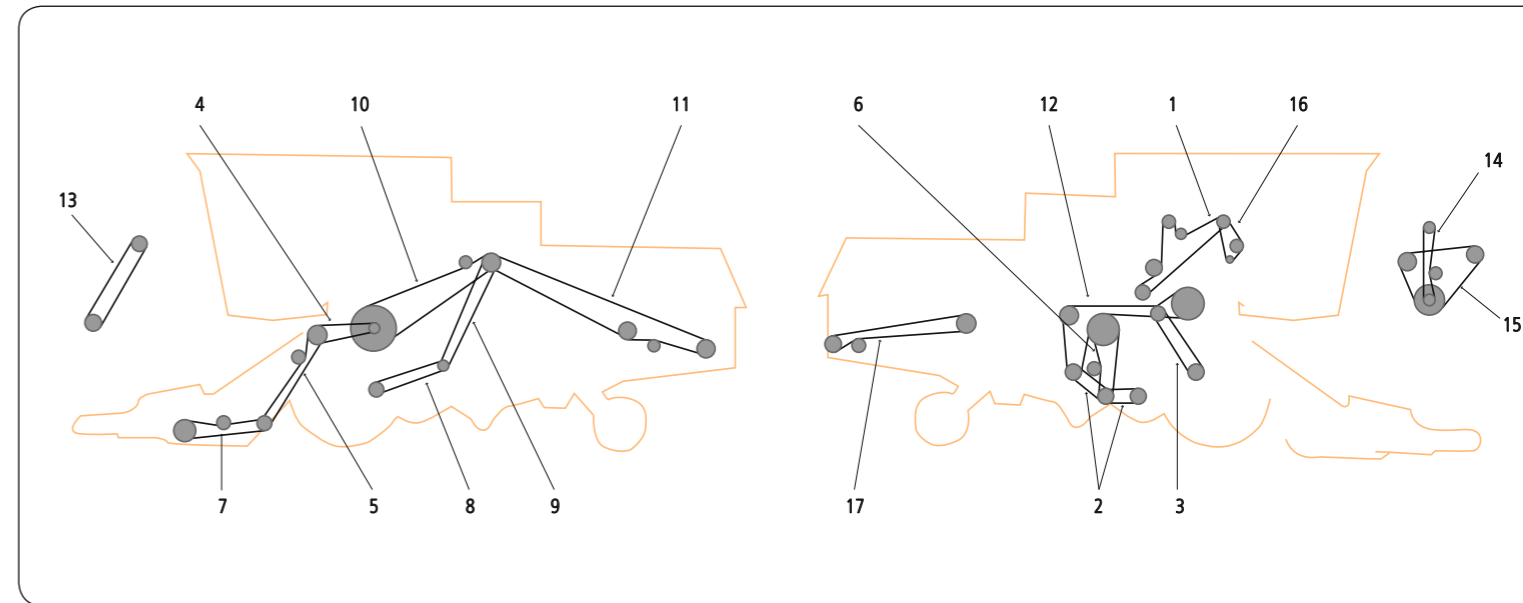
X - not in standard offer / brak w standardowej ofercie





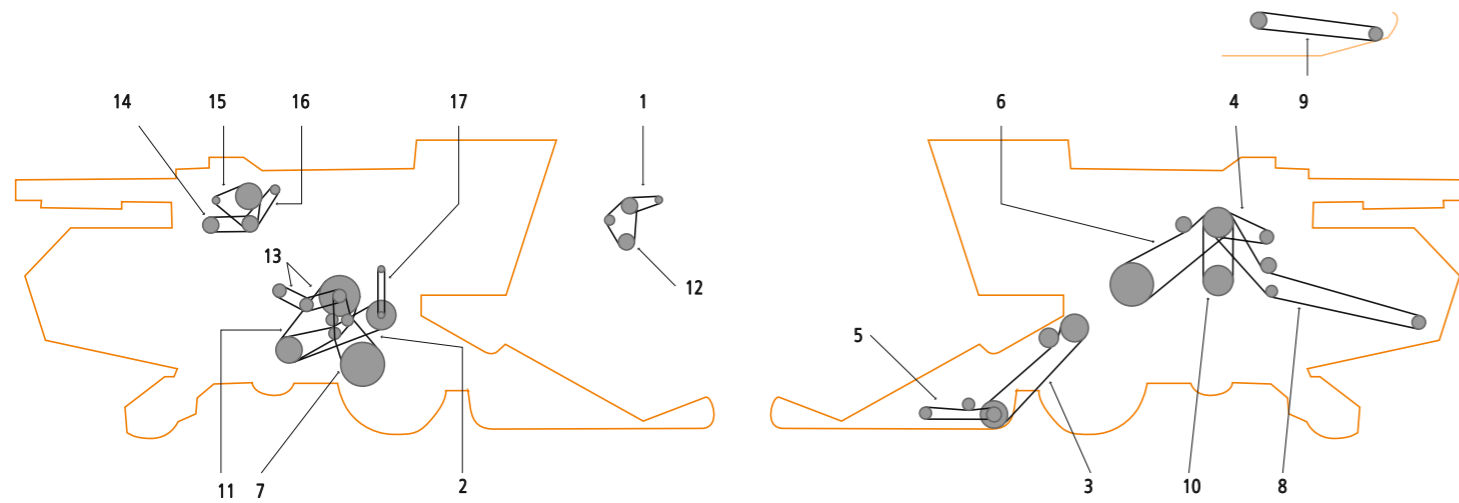
ITEM / POZYCJA	APPLICATION	OPIS	QUANTITY OF V-BELTS IN DRIVE / ILOŚĆ PASÓW W ZESPOLE	OE PART NUMBER / NUMER KATALOGOWY	COMMENT / UWAGI
1	REEL VARIATOR	NAPĘD MOTOWIDŁA	1	1407123R1	
2	CUTTING TABLE	NAPĘD POŚREDNI HEDERA	2	3167797R1	
3	CUTTING TABLE	NAPĘD POŚREDNI HEDERA	1	3167149R1	
4	MAIN DRIVE	NAPĘD GŁÓWNY	1	3167653R2	
5	DISCHARGE AUGER	NAPĘD WYSYPU ZBIORNIKA	1	3167361R2	
6	VARI-DRIVE	NAPĘD WARAITOROWY	1	3167189R1	
7	VARI-DRIVE	NAPĘD WARAITOROWY	1	3167189R1	
8	RETURN AUGER - SHAKER	NAPĘD ŚLIMAKA PRZENOSNIKA KŁOSOWEGO	1	3167489R1	
9	ROTARY DRIVE	NAPĘD OBROTOWY	1	726285R1	
10	ROTARY DRIVE INTERMEDIATE SHAFT	NAPĘD OBROTOWY	1	726276R1	
11	RETURN ELEVATOR	NAPĘD PRZENOŚNIKA POWROTNEGO	1	3170210R1	
12	RETURN AUGER ABOVE CYLINDER	NAPĘD ŚLIMAKA PRZENOSNIKA KŁOSOWEGO	1	3170159R1	
13	INTERMEDIATE SHAFT	NAPĘD PRZENOŚNIKA POCHYLEGO	1	790522R1	
14	CYLINDER DRIVE	NAPĘD BĘBNA MŁÓCĄCEGO	1	3168030R2	X
15	COUNTERSHAFT	NAPĘD POŚREDNI KOSZA CHŁODNICY	1	3168669R1	
16	FAN	NAPĘD WENTYLATORA	1	1407123R1	

X - not in standard offer / brak w standardowej ofercie



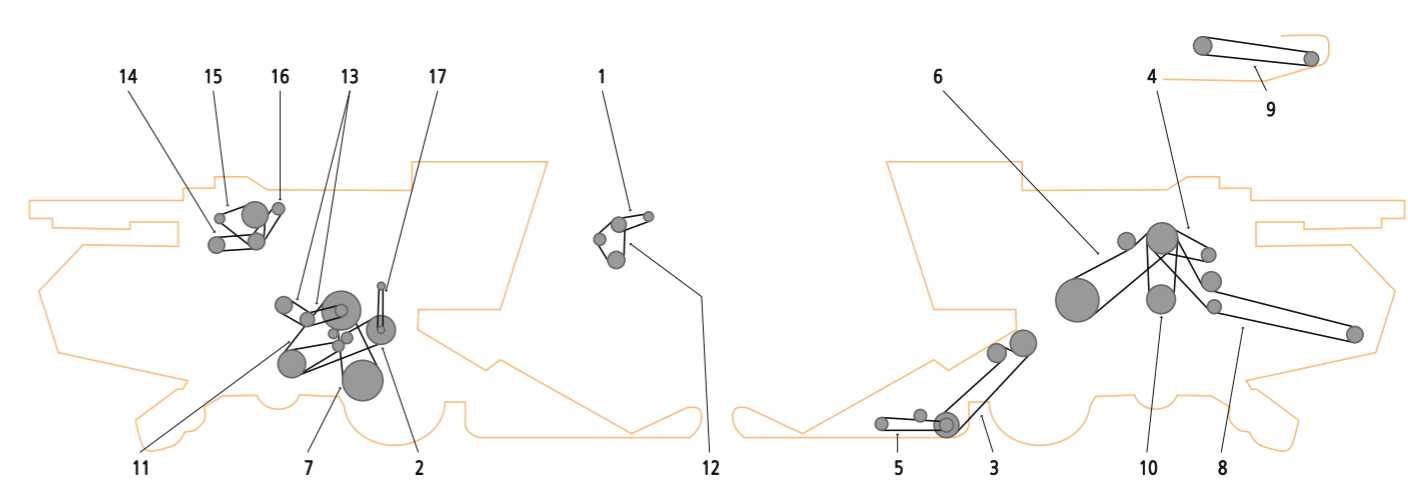
ITEM / POZYCJA	APPLICATION	OPIS	QUANTITY OF V-BELTS IN DRIVE / ILOŚĆ PASÓW W ZESPOLE	OE PART NUMBER / NUMER KATALOGOWY	COMMENT / UWAGI
0	WATER PUMP, FAN, ALTERNATOR	NAPĘD POMPY WODNEJ, WENTYLATORA	1	3955539R1	X
0	AIR CONDITIONING COMPRESSOR	NAPĘD KOMPRESORA KLIMATYZACJI	1	936331R1	X
1	GRAIN TANK EXT WITH RAISED LEVELLING AUGER	ZBIORNIK ZIARNA	1	150433C1	
1	ELEVATOR DRIVE. W/O RAISED LEVELLING AUGER	NAPĘD PRZENOŚNIKA BEZ WYRÓWNYWANIEM POZIOMU	1	937928R1	
1	ELEVATOR DRIVE. WITH RAISED LEVELLING AUGER	NAPĘD PRZENOŚNIKA Z WYRÓWNYWANIEM POZIOMU	1	937929R1	
2	SHAKER SHOE FANNING MILL	NAPĘD WIALNI, WYTRZĄSACZY	1	170954C11	X
2	SLOW SPEED FAN JACKSHAFT	WOLNOOBROTOWY NAPĘD WĄŁKA DMUCHAWY	1	178936C1	X
3	SHAKER SHAFT DRIVE	NAPĘD WYTRZĄSACZY	1	188716C1	
4	FEEDER DRIVE	NAPĘD PRZENOŚNIKA POCHYLEGO	1	937932R1	
5	FEEDER JACKSHAFT DRIVE	NAPĘD PRZENOŚNIKA POCHYLEGO PODWÓJNY	1	176566C1	X
5	FEEDER JACKSHAFT DRIVE	NAPĘD PRZENOŚNIKA POCHYLEGO PODWÓJNY	1	176577C1	
5	FEEDER JACKSHAFT DRIVE	NAPĘD PRZENOŚNIKA POCHYLEGO PODWÓJNY	1	176657C1	X
6	UNLOADER DRIVE	NAPĘD WYSYPU	1	559064R1	
6	UNLOADER DRIVE	NAPĘD WYSYPU	1	1656676C1	
7	AUGER AND KNIFE DRIVE	NAPĘD ŚLIMAKA HEDERA I KOSY	1	191305C1	
7	AUGER AND KNIFE DRIVE	NAPĘD ŚLIMAKA HEDERA I KOSY	1	559064R1	
7	AUGER AND KNIFE DRIVE	NAPĘD ŚLIMAKA HEDERA I KOSY	1	178019C1	
8	PROPULSION DRIVE	NAPĘD JAZDY	1	173110C1	X
9	PROPULSION JACKSHAFT DRIVE	NAPĘD WĄŁKA POŚREDNIEGO	1	150436C2	X
10	SEPARATOR DRIVE	NAPĘD SEPARATORA	1	171226C1	
11	STRAW CHOPPER DRIVE	NAPĘD ROZDRABNIACZA SŁOMY	1	174614C2	
12	STRAW WALKER AND FAN JACKSHAFT	NAPĘD ROZDRABNIACZA SŁOMY	1	170948C1	X
13	UNLOADER JACKSHAFT DRIVE HYDROSTAT	NAPĘD WĄŁKA POŚREDNIEGO WYSYPU	1	175545C1	
13	UNLOADER JACKSHAFT DRIVE	NAPĘD WĄŁKA POŚREDNIEGO WYSYPU ZBIORNIKA	1	179317C2	
14	CYLINDER DRIVE	NAPĘD BĘBNA MŁÓCĄCEGO	1	171101C2	
15	CYLINDER DRIVE	NAPĘD BĘBNA MŁÓCĄCEGO	1	171130C1	X
16	TAILINGS AUGER DRIVE	NAPĘD ŚLIMAKA KŁOSOWEGO	1	627297R1	X
17	STRAW SPREADER DRIVE	NAPĘD ROZTRZĄSACZA SŁOMY	1	589622R1	

X - not in standard offer / brak w standardowej ofercie



ITEM / POZYCJA	APPLICATION	OPIS	QUANTITY OF V-BELTS IN DRIVE / ILOŚĆ PASÓW W ZESPOLE	OE PART NUMBER / NUMER KATALOGOWY	COMMENT / UWAGI
0	STRAW CHOPPER JACKSHAFT DRIVE	NAPĘD WAŁKA POŚREDNIEGO ROZDRABNIACZA SŁOMY	1	160871C1	
0	ROTARY AIR SCREEN DRIVE	NAPĘD KOSZA FILTRACYJNEGO POWIETRZA	1	168725C1	
0	ROTARY AIR SCREEN DRIVE	NAPĘD KOSZA FILTRACYJNEGO POWIETRZA	1	172360C1	
0	ROTARY AIR SCREEN DRIVE	NAPĘD KOSZA FILTRACYJNEGO POWIETRZA	1	38331K	
0	FEEDER FAST SPEED	NAPĘD PRZENOŚNIKA POCHYLEGO	1	633728R2	
2	THRESHING CYLINDER	NAPĘD BĘBNA MŁÓCĄCEGO	1	174509C1	
3	FEEDER JACKSHAFT DRIVE	NAPĘD WAŁKA POŚREDNIEGO PRZENOŚNIKA POCHYLEGO	1	176565C1	
3	FEEDER JACKSHAFT DRIVE	NAPĘD WAŁKA POŚREDNIEGO PRZENOŚNIKA POCHYLEGO	1	176566C1	X
3	FEEDER JACKSHAFT DRIVE	NAPĘD WAŁKA POŚREDNIEGO PRZENOŚNIKA POCHYLEGO	1	176567C1	
3	FEEDER JACKSHAFT DRIVE	NAPĘD WAŁKA POŚREDNIEGO PRZENOŚNIKA POCHYLEGO	1	176576C1	
3	FEEDER JACKSHAFT DRIVE	NAPĘD WAŁKA POŚREDNIEGO PRZENOŚNIKA POCHYLEGO	1	176577C1	
4	HYDRAULIC REEL PUMP DRIVE	NAPĘD POMPY HYDRAULICZNEJ MOTOWIDEŁ	1	179007C1	
5	KNIFE DRIVE	NAPĘD KOSY	1	178019C1	
6	SEPARATOR DRIVE	NAPĘD SEPARATORA	1	166598C2	
6	SEPARATOR DRIVE	NAPĘD SEPARATORA	1	168665C2	
7	SHAKER SHAFT DRIVE	NAPĘD WAŁKA PODSIEWACZA	1	564494R2	
7	SHAKER SHAFT DRIVE	NAPĘD WAŁKA PODSIEWACZA	1	632702R1	
8	STRAW CHOPPER DRIVE	NAPĘD ROZDRABNIACZA SŁOMY	1	160870C1	
8	STRAW CHOPPER DRIVE	NAPĘD ROZDRABNIACZA SŁOMY	1	174642C1	
8	STRAW CHOPPER DRIVE	NAPĘD ROZDRABNIACZA SŁOMY	1	177499C1	
9	STRAW SPREADER DRIVE	NAPĘD ROZTRZĄSACZA SŁOMY	1	196371C1	
9	STRAW SPREADER DRIVE	NAPĘD ROZTRZĄSACZA SŁOMY	1	161821C1	
10	UNLOADER JACKSHAFT DRIVE	NAPĘD WAŁKA POŚREDNIEGO WYSYPU ZBIORNIKA	1	160173C1	
11	CYLINDER DRIVE	NAPĘD BĘBNA MŁÓCĄCEGO	1	164006C1	X
12	FAN WATER PUMP GENERATOR	NAPĘD WENTYLATORA	1	528419R91	X
12	FAN. WATER PUMP. GENERATOR W/414 ENGINE	NAPĘD WENTYLATORA	2	537072R92	
13	SEPARATOR FAN DRIVE	NAPĘD DMUCHAWY SEPARATORA	1	164999C92	X
15	FAN ALTERNATOR WATER PUMP	NAPĘD WENTYLATORA	1	402253R91	
16	GOVERNOR BELT	NAPĘD REGULATORA PRZEKŁADNI	1	532031R2	
17	CYLINDER DRIVE	NAPĘD BĘBNA MŁÓCĄCEGO	1	167099C	X

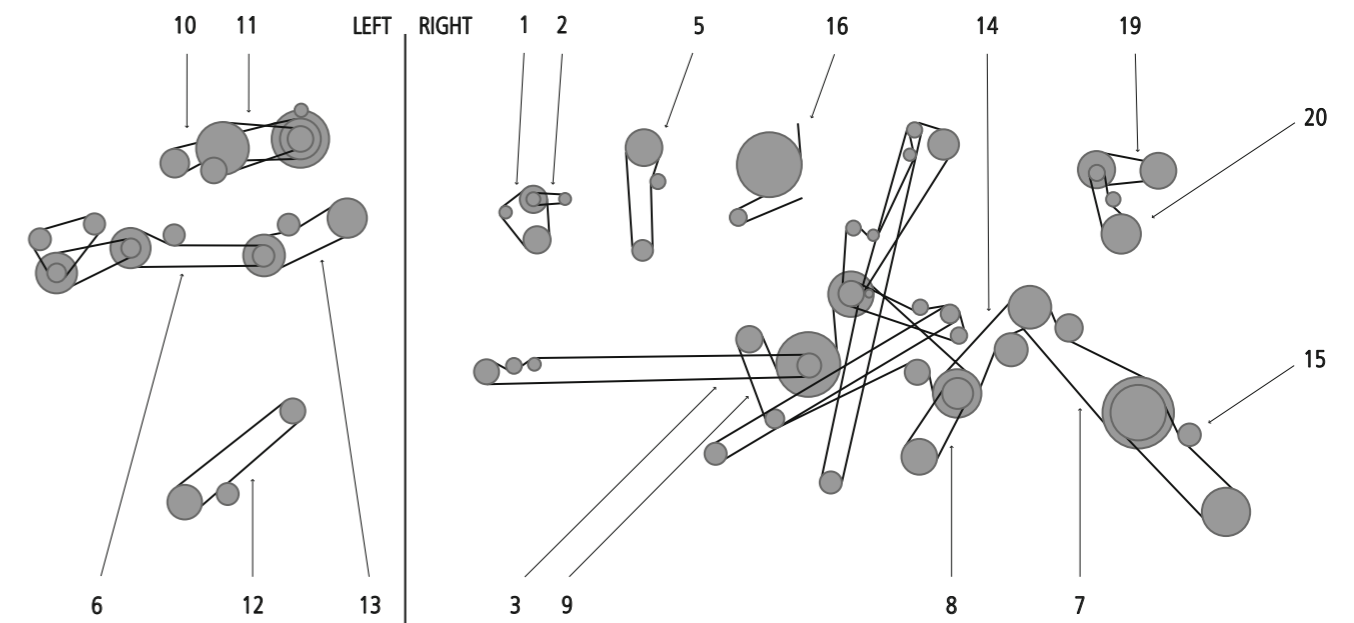
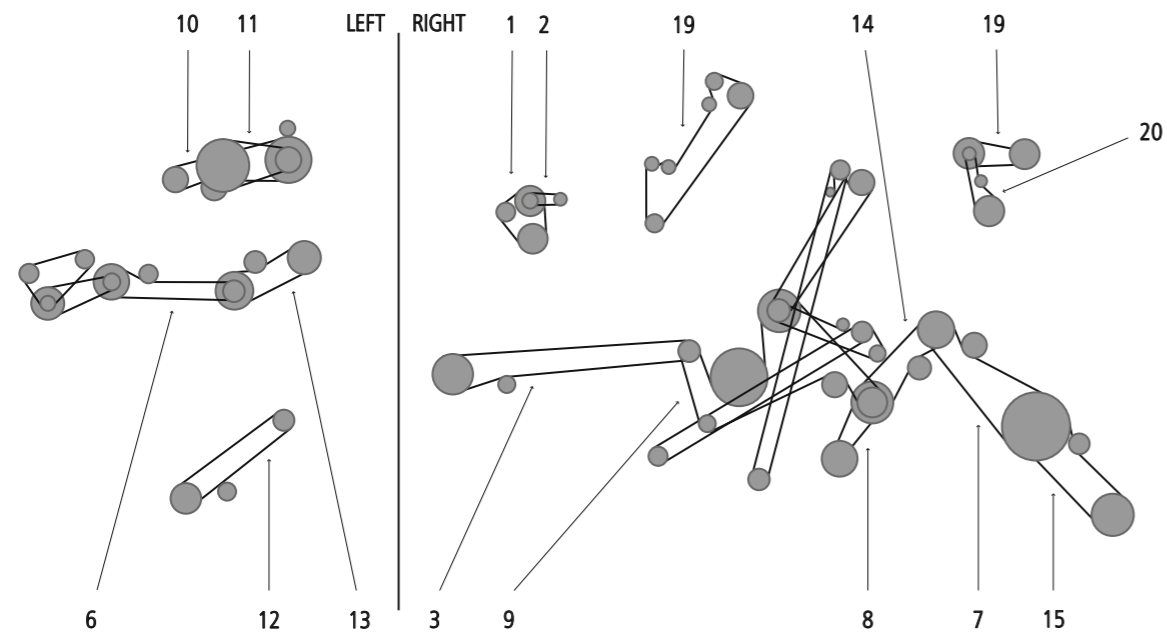
X - not in standard offer / brak w standardowej ofercie



ITEM / POZYCJA	APPLICATION	OPIS	QUANTITY OF V-BELTS IN DRIVE / ILOŚĆ PASÓW W ZESPOLE	OE PART NUMBER / NUMER KATALOGOWY	COMMENT / UWAGI
1	UNIT MAIN DRIVE	ZESPÓŁ GŁÓWNEGO NAPĘDU	1	217636C1	
3	FAN DRIVE	NAPĘD WENTYLATORA	1	217564C1	
6	CROSS AUGER DRIVE	NAPĘD ŚLIMAKA	1	203170C1	
13	CENTER UNIT DRIVE 36-.38-.AND 40-INCH	ZESPÓŁ CENTRALNEGO NAPĘDU	1	217698C1	
15	OUTER UNIT DRIVE 30.32.34 INCH 4-ROW	ZESPÓŁ ZEWNĘTRZNEGO NAPĘDU	1	217701C1	
16	OUTER UNIT DRIVE 36.38.40 INCH 4-ROW	ZESPÓŁ ZEWNĘTRZNEGO NAPĘDU	1	217699C1	
17	OUTER UNIT DRIVE 30-INCH 4-ROW	ZESPÓŁ ZEWNĘTRZNEGO NAPĘDU	1	217702C1	
19	OUTER UNIT DRIVE 36.38.40-INCH 4 ROW	ZESPÓŁ ZEWNĘTRZNEGO NAPĘDU	1	217700C1	
23	OUTER UNIT DRIVE 30-INCH 4-ROW (1 USED)	ZESPÓŁ ZEWNĘTRZNEGO NAPĘDU	1	217702C1	
24	OUTER UNIT DRIVE 30-INCH 4-ROW (1 USED)	ZESPÓŁ ZEWNĘTRZNEGO NAPĘDU	3	217703C1	
32	FAN. GENERATOR AND WATER PUMP	NAPĘD WENTYLATORA I GENERATORA	2	130724C91	
33	AIR CONDITIONING COMPRESSOR DRIVE	NAPĘD KOMPRESORA KLIMATYZACJI	1	280210C2	

X - not in standard offer / brak w standardowej ofercie



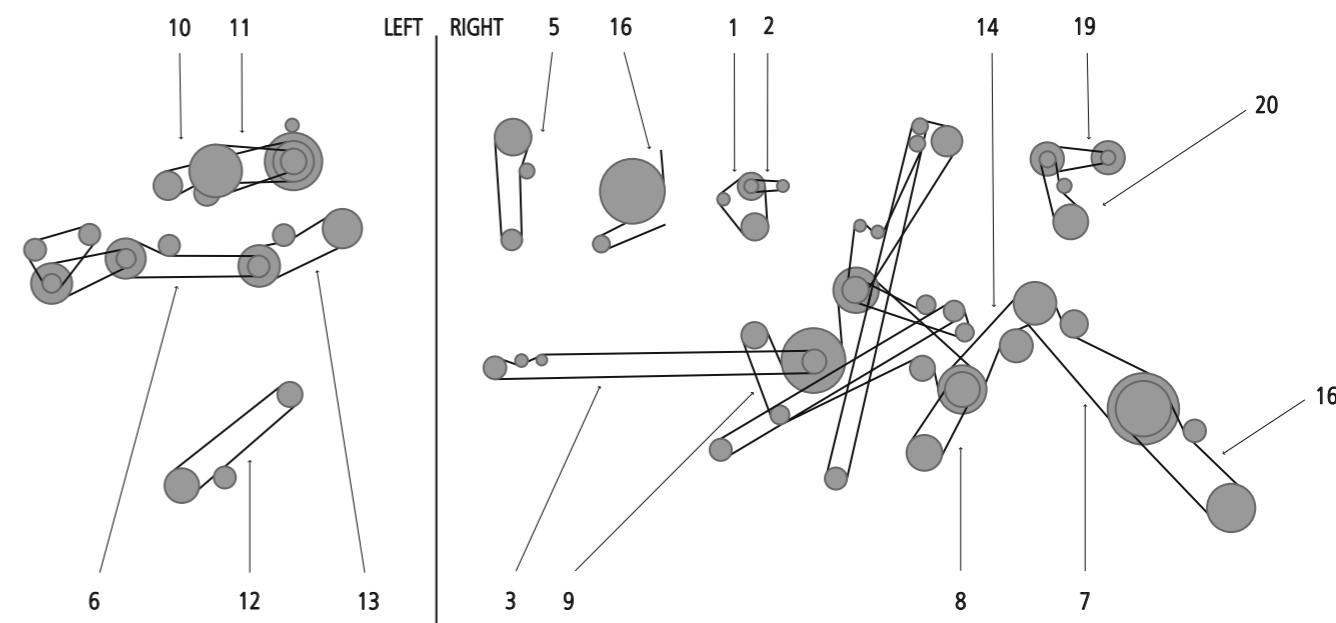
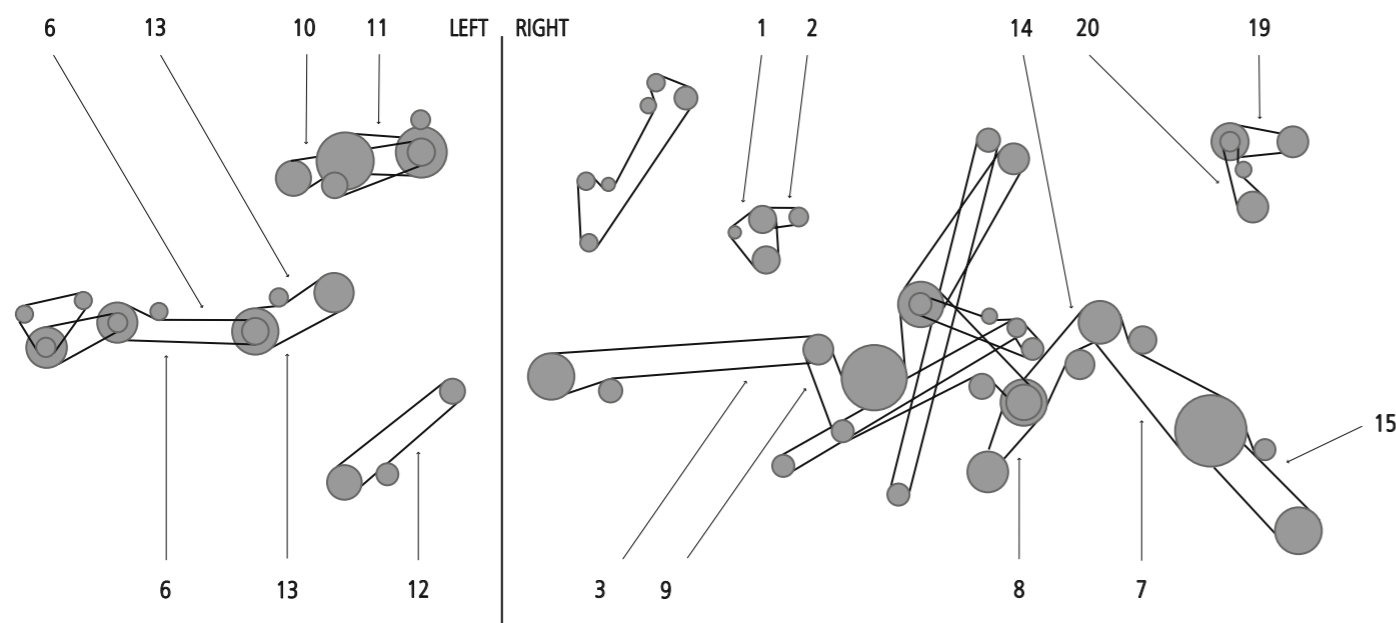


ITEM / POZYCJA	APPLICATION	OPIS	QUANTITY OF V-BELTS IN DRIVE / ILOŚĆ PASÓW W ZESPOLE	OE PART NUMBER / NUMER KATALOGOWY	COMMENT / UWAGI
1	WATER PUMP, FAN, ALTERNATOR	NAPĘD POMPY WODNEJ, WENTYLATORA	2	537072R92	
2	AIR CONDITIONING COMPRESSOR	NAPĘD KOMPRESORA KLIMATYZACJI	1	874097C1	X
3	STRAW SPREADER DRIVE	NAPĘD ROZTRZĄSACZA SŁOMY	1	153359C1	
6	UNLOADER AUGER DRIVE	NAPĘD ŚLIMAKA WYSYPU ZBIORNIKA	1	191290C1	
7	FEEDER DRIVE	NAPĘD PRZENOŚNIKA POCHYLEGO	1	192738C1	
8	CLEANING FAN DRIVE	NAPĘD WIALNI CZYSZCZĄCEJ	1	195396C2	
9	ELEVATOR DRIVE UNIT	JEDNOSTKA NAPĘDU PRZENOŚNIKA	1	186509C2	X
9	ELEVATOR DRIVE UNIT	JEDNOSTKA NAPĘDU PRZENOŚNIKA	1	192360C1	
10	SEPARATOR DRIVE	NAPĘD SEPARATORA	1	191241C3	
11	ROTOR DRIVE	NAPĘD ROTORA	1	244420A1	
12	REEL DRIVE PUMP	POMPA NAPĘDU MOTOWIDEŁ	1	197414C2	
12	REEL DRIVE PUMP	POMPA NAPĘDU MOTOWIDEŁ	1	1315315C1	X
13	AUXILIARY PUMP DRIVE	NAPĘD POMPY POMOCNICZEJ	1	191288C3	
14	FAN JACKSHAFT DRIVE	NAPĘD WAŁKA POŚREDNIEGO DMUCHAWY	1	191305C1	
15	FEEDER JACKSHAFT DRIVE	NAPĘD WAŁKA POŚREDNIEGO PRZENOŚNIKA POCHYLEGO	1	1313095C2	
15	FEEDER JACKSHAFT DRIVE	NAPĘD WAŁKA POŚREDNIEGO PRZENOŚNIKA POCHYLEGO	1	1313097C3	
19	FAN JACKSHAFT	NAPĘD WAŁKA DMUCHAWY	1	181359C1	X
20	FAN JACKSHAFT	WOLNOOBROTOWY NAPĘD WAŁKA DMUCHAWY	1	610521R1	

X - not in standard offer / brak w standardowej ofercie

ITEM / POZYCJA	APPLICATION	OPIS	QUANTITY OF V-BELTS IN DRIVE / ILOŚĆ PASÓW W ZESPOLE	OE PART NUMBER / NUMER KATALOGOWY	COMMENT / UWAGI
1	WATER PUMP, FAN, ALTERNATOR	NAPĘD POMPY WODNEJ, WENTYLATORA	2	537072R92	
2	AIR CONDITIONING COMPRESSOR	NAPĘD KOMPRESORA KLIMATYZACJI	1	874097C1	X
6	UNLOADER AUGER DRIVE	NAPĘD ŚLIMAKA WYSYPU ZBIORNIKA	1	191290C1	
7	FEEDER DRIVE	NAPĘD PRZENOŚNIKA POCHYLEGO	1	192738C1	
8	CLEANING FAN DRIVE	NAPĘD WIALNI CZYSZCZĄCEJ	1	195396C2	
9	ELEVATOR DRIVE UNIT	JEDNOSTKA NAPĘDU PRZENOŚNIKA	1	186509C2	X
10	SEPARATOR DRIVE	NAPĘD SEPARATORA	1	191241C3	
11	ROTOR DRIVE	NAPĘD ROTORA	1	244420A1	
12	REEL DRIVE PUMP WITHOUT ROCK TRAP	POMPA NAPĘDU MOTOWIDEŁ BEZ ŁAPACZA KAMIENI	1	197414C2	
12	REEL DRIVE PUMP WITH ROCK TRAP	POMPA NAPĘDU MOTOWIDEŁ Z ŁAPACZEM KAMIENI	1	1315315C1	X
13	AUXILIARY PUMP DRIVE	NAPĘD POMPY POMOCNICZEJ	1	191288C3	
14	FAN JACKSHAFT DRIVE	NAPĘD WAŁKA POŚREDNIEGO DMUCHAWY	1	191305C1	
15	FEEDER JACKSHAFT DRIVE	NAPĘD WAŁKA POŚREDNIEGO PRZENOŚNIKA POCHYLEGO	1	1313095C2	
15	FEEDER JACKSHAFT DRIVE	NAPĘD WAŁKA POŚREDNIEGO PRZENOŚNIKA POCHYLEGO	1	1313097C3	
19	FAN JACKSHAFT	NAPĘD WAŁKA DMUCHAWY	1	181359C1	X
20	SLOW SPEED FAN JACKSHAFT	WOLNOOBROTOWY NAPĘD WAŁKA DMUCHAWY	1	610521R1	

X - not in standard offer / brak w standardowej ofercie

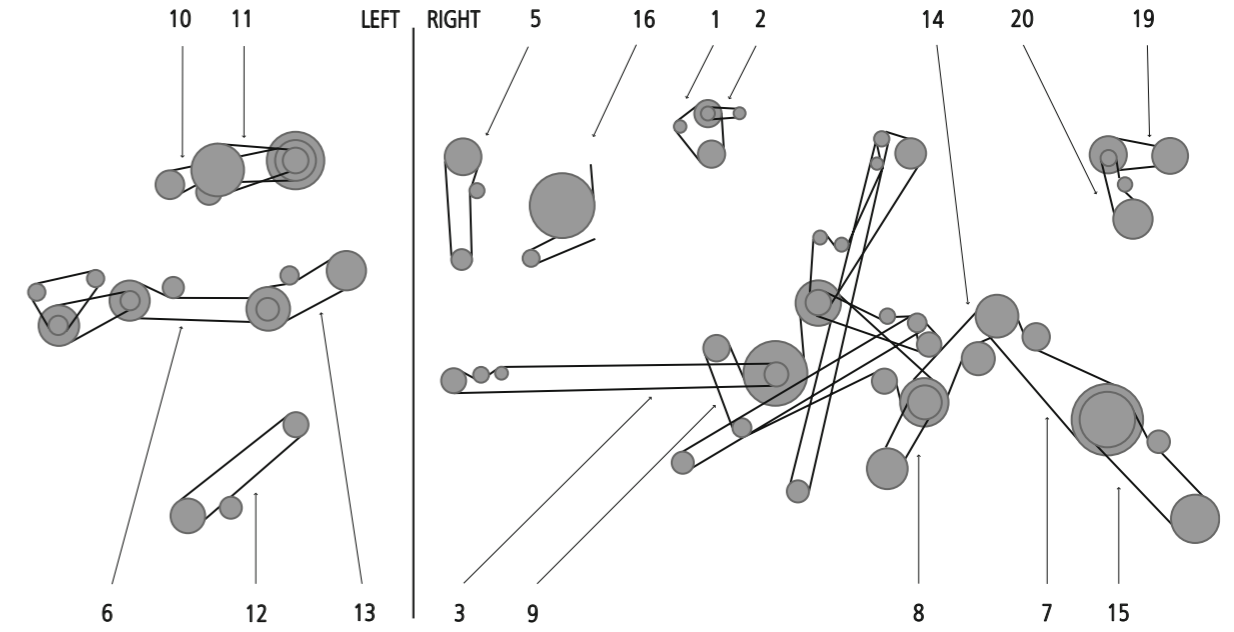
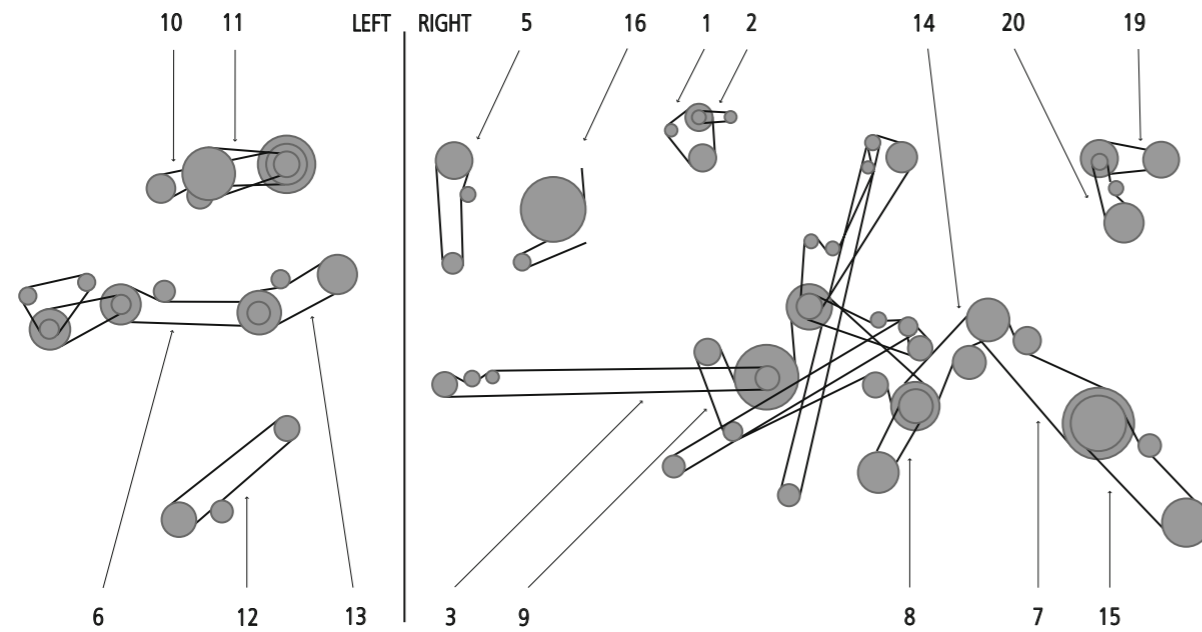


ITEM / POZYCJA	APPLICATION	OPIS	QUANTITY OF V-BELTS IN DRIVE / ILOŚĆ PASÓW W ZESPOLE	OE PART NUMBER / NUMER KATALOGOWY	COMMENT / UWAGI
1	WATER PUMP, FAN, ALTERNATOR	NAPĘD POMPY WODNEJ, WENTYLATORA	2	537072R92	
2	AIR CONDITIONING COMPRESSOR	NAPĘD KOMPRESORA KLIMATYZACJI	1	874097C1	X
3	STRAW SPREADER DRIVE	NAPĘD ROZTRZĄSACZA SŁOMY	1	153359C1	
6	UNLOADER AUGER DRIVE	NAPĘD ŚLIMAKA WYSYPU ZBIORNIKA	1	191290C1	
7	FEEDER DRIVE	NAPĘD PRZENOŚNIKA POCHYLEGO	1	192738C1	
8	CLEANING FAN DRIVE	NAPĘD WIALNI CZYSZCZĄCEJ	1	195396C2	
9	ELEVATOR DRIVE UNIT	JEDNOSTKA NAPĘDU PRZENOŚNIKA	1	186509C2	X
9	ELEVATOR DRIVE UNIT	JEDNOSTKA NAPĘDU PRZENOŚNIKA	1	192360C1	
10	SEPARATOR DRIVE	NAPĘD SEPARATORA	1	191241C3	
11	ROTOR DRIVE	NAPĘD ROTORA	1	244420A1	
12	REEL DRIVE PUMP WITHOUT ROCK TRAP	POMPA NAPĘDU MOTOWIDEŁ BEZ ŁAPACZA KAMIENI	1	197414C2	
12	REEL DRIVE PUMP WITH ROCK TRAP	POMPA NAPĘDU MOTOWIDEŁ Z ŁAPACZEM KAMIENI	1	1315315C1	X
13	AUXILIARY PUMP DRIVE	NAPĘD POMPY POMOCNICZEJ	1	191288C3	
14	FAN JACKSHAFT DRIVE	NAPĘD WAŁKA POŚREDNIEGO DMUCHAWY	1	191305C1	
15	FEEDER JACKSHAFT DRIVE	NAPĘD WAŁKA POŚREDNIEGO PRZENOŚNIKA POCHYLEGO	1	1313095C2	
15	FEEDER JACKSHAFT DRIVE	NAPĘD WAŁKA POŚREDNIEGO PRZENOŚNIKA POCHYLEGO	1	1313097C3	
19	FAN JACKSHAFT	NAPĘD WAŁKA DMUCHAWY	1	181359C1	X
20	SLOW SPEED FAN JACKSHAFT	WOLNOOBROTOWY NAPĘD WAŁKA DMUCHAWY	1	610521R1	

X - not in standard offer / brak w standardowej ofercie

ITEM / POZYCJA	APPLICATION	OPIS	QUANTITY OF V-BELTS IN DRIVE / ILOŚĆ PASÓW W ZESPOLE	OE PART NUMBER / NUMER KATALOGOWY	COMMENT / UWAGI
1	WATER PUMP, FAN, ALTERNATOR	NAPĘD POMPY WODNEJ, WENTYLATORA	2	537072R92	
2	AIR CONDITIONING COMPRESSOR	NAPĘD KOMPRESORA KLIMATYZACJI	1	874097C1	X
3	STRAW SPREADER DRIVE	NAPĘD ROZTRZĄSACZA SŁOMY	1	196371C1	
5	STRAW CHOPPER DRIVE	NAPĘD ROZDRABNIACZA SŁOMY	1	181012C1	
6	UNLOADER AUGER DRIVE	NAPĘD ŚLIMAKA WYSYPU ZBIORNIKA	1	191290C1	
7	FEEDER DRIVE	NAPĘD PRZENOŚNIKA POCHYLEGO	1	192738C1	
8	CLEANING FAN DRIVE	NAPĘD WIALNI CZYSZCZĄCEJ	1	195396C2	
9	ELEVATOR DRIVE UNIT	JEDNOSTKA NAPĘDU PRZENOŚNIKA	1	186509C2	X
10	SEPARATOR DRIVE	NAPĘD SEPARATORA	1	191241C3	
11	ROTOR DRIVE	NAPĘD ROTORA	1	244420A1	
12	REEL DRIVE PUMP WITHOUT ROCK TRAP	POMPA NAPĘDU MOTOWIDEŁ BEZ ŁAPACZA KAMIENI	1	197414C2	
12	REEL DRIVE PUMP WITH ROCK TRAP	POMPA NAPĘDU MOTOWIDEŁ Z ŁAPACZEM KAMIENI	1	1315315C1	X
12	REEL DRIVE PUMP WITHOUT ROCK TRAP	POMPA NAPĘDU MOTOWIDEŁ BEZ ŁAPACZA KAMIENI	1	197411C1	
13	AUXILIARY PUMP DRIVE	NAPĘD POMPY POMOCNICZEJ	1	191288C3	
14	FAN JACKSHAFT DRIVE	NAPĘD WAŁKA POŚREDNIEGO DMUCHAWY	1	191305C1	
15	FEEDER JACKSHAFT DRIVE	NAPĘD WAŁKA POŚREDNIEGO PRZENOŚNIKA POCHYLEGO	1	1313095C2	
15	FEEDER JACKSHAFT DRIVE	NAPĘD WAŁKA POŚREDNIEGO PRZENOŚNIKA POCHYLEGO	1	1313097C3	
16	CLEANING UNIT DRIVE WITH STRAW CHOPPER	NAPĘD JEDNOSTKI CZYSZCZĄCEJ	1	181055C1	
19	FAN JACKSHAFT	NAPĘD WAŁKA DMUCHAWY	1	181359C1	X
20	SLOW SPEED FAN JACKSHAFT	WOLNOOBROTOWY NAPĘD WAŁKA DMUCHAWY	1	610521R1	

X - not in standard offer / brak w standardowej ofercie

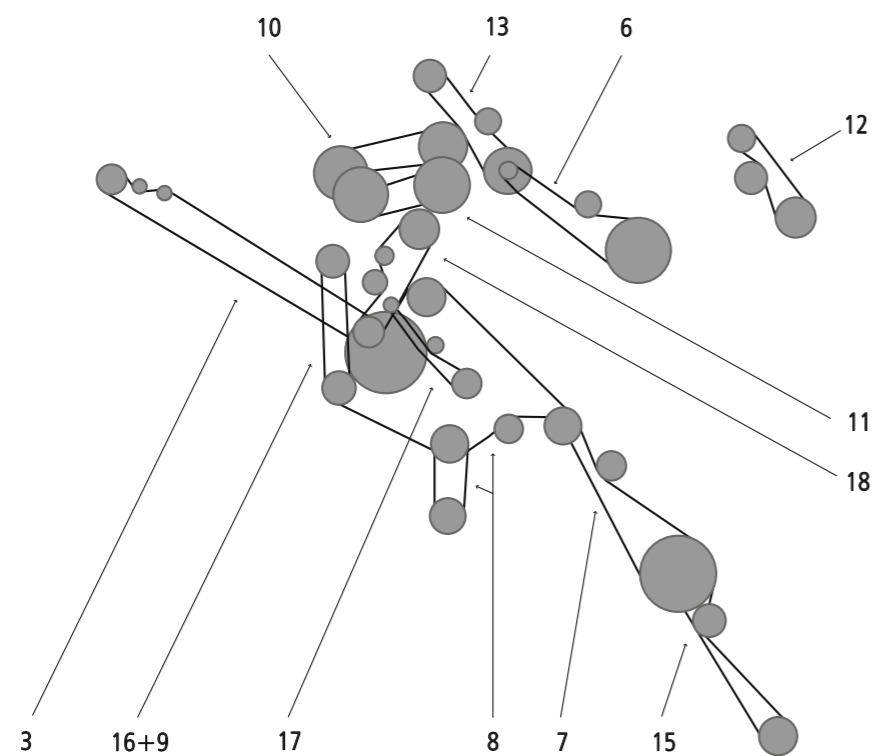


ITEM / POZYCJA	APPLICATION	OPIS	QUANTITY OF V-BELTS IN DRIVE / ILOŚĆ PASÓW W ZESPOLE	OE PART NUMBER / NUMER KATALOGOWY	COMMENT / UWAGI
1	WATER PUMP, FAN, ALTERNATOR	NAPĘD POMPY WODNEJ, WENTYLATORA	2	537072R92	
2	AIR CONDITIONING COMPRESSOR	NAPĘD KOMPRESORA KLIMATYZACJI	1	874097C1	X
3	STRAW SPREADER DRIVE	NAPĘD ROZTRZĄSACZA SŁOMY	1	196371C1	
5	STRAW CHOPPER DRIVE	NAPĘD ROZDRABNIACZA SŁOMY	1	181013C1	
6	UNLOADER AUGER DRIVE	NAPĘD ŚLIMAKA WYSYPU ZBIORNIKA	1	191291C1	
7	FEEDER DRIVE	NAPĘD PRZENOŚNIKA POCHYLEGO	1	194528C1	
8	CLEANING FAN DRIVE	NAPĘD WIALNI CZYSZCZĄCEJ	1	195396C2	
9	ELEVATOR DRIVE UNIT	JEDNOSTKA NAPĘDU PRZENOŚNIKA	1	186509C2	X
10	SEPARATOR DRIVE	NAPĘD SEPARATORA	1	191244C1	
11	ROTOR DRIVE	NAPĘD ROTORA	1	244422A1	X
12	REEL DRIVE PUMP	POMPA NAPĘDU MOTOWIDEŁ	1	197414C2	
12	REEL DRIVE PUMP	POMPA NAPĘDU MOTOWIDEŁ	1	197480C2	
13	AUXILIARY PUMP DRIVE	NAPĘD POMPY POMOCNICZEJ	1	191288C3	
14	FAN JACKSHAFT DRIVE	NAPĘD WAŁKA POŚREDNIEGO DMUCHAWY	1	188213C1	
15	FEEDER JACKSHAFT DRIVE	NAPĘD WAŁKA POŚREDNIEGO PRZENOŚNIKA POCHYLEGO	1	1313097C3	
15	FEEDER JACKSHAFT DRIVE	NAPĘD WAŁKA POŚREDNIEGO PRZENOŚNIKA POCHYLEGO	1	1308489C2	
16	CLEANING UNIT DRIVE WITH STRAW CHOPPER	NAPĘD JEDNOSTKI CZYSZCZĄCEJ	1	181055C1	
19	FAN JACKSHAFT	NAPĘD WAŁKA DMUCHAWY	1	181359C1	X
20	SLOW SPEED FAN JACKSHAFT	WOLNOOBROTOWY NAPĘD WAŁKA DMUCHAWY	1	610521R1	

X - not in standard offer / brak w standardowej ofercie

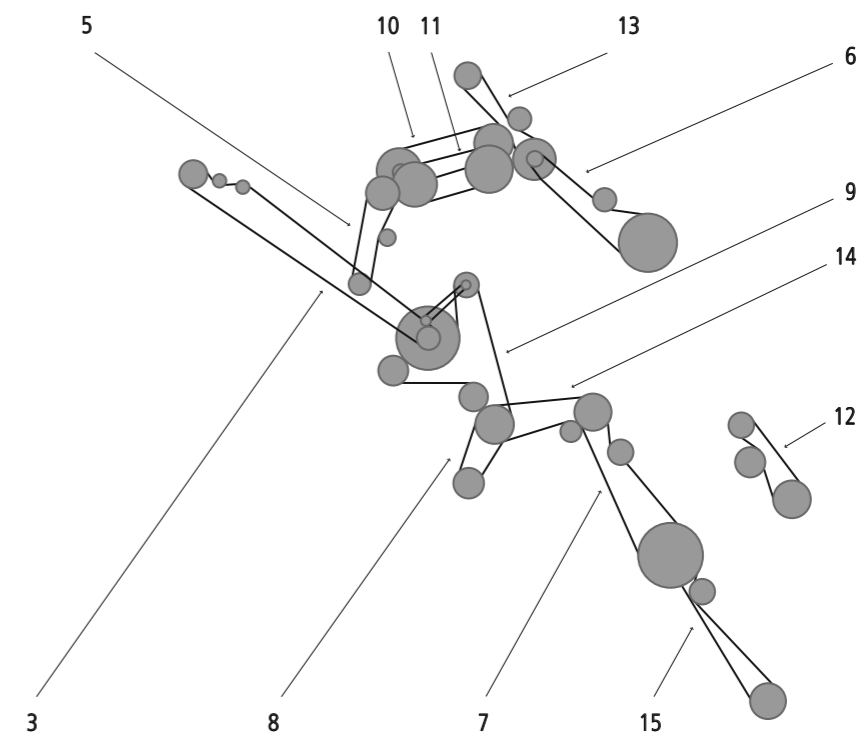
ITEM / POZYCJA	APPLICATION	OPIS	QUANTITY OF V-BELTS IN DRIVE / ILOŚĆ PASÓW W ZESPOLE	OE PART NUMBER / NUMER KATALOGOWY	COMMENT / UWAGI
1	WATER PUMP, FAN, ALTERNATOR	NAPĘD POMPY WODNEJ, WENTYLATORA	2	537072R92	
2	AIR CONDITIONING COMPRESSOR	NAPĘD KOMPRESORA KLIMATYZACJI	1	874097C1	X
3	STRAW SPREADER DRIVE	NAPĘD ROZTRZĄSACZA SŁOMY	1	153359C1	
6	UNLOADER AUGER DRIVE	NAPĘD ŚLIMAKA WYSYPU ZBIORNIKA	1	191291C1	
7	FEEDER DRIVE	NAPĘD PRZENOŚNIKA POCHYLEGO	1	194528C1	
8	CLEANING FAN DRIVE	NAPĘD WIALNI CZYSZCZĄCEJ	1	195396C2	
9	ELEVATOR DRIVE UNIT	JEDNOSTKA NAPĘDU PRZENOŚNIKA	1	186509C2	X
10	SEPARATOR DRIVE	NAPĘD SEPARATORA	1	191244C1	
11	ROTOR DRIVE	NAPĘD ROTORA	1	244422A1	X
12	REEL DRIVE PUMP WITHOUT ROCK TRAP	POMPA NAPĘDU MOTOWIDEŁ BEZ ŁAPACZA KAMIENI	1	197414C2	
12	REEL DRIVE PUMP WITH ROCK TRAP	POMPA NAPĘDU MOTOWIDEŁ Z ŁAPACZEM KAMIENI	1	197480C2	
13	AUXILIARY PUMP DRIVE	NAPĘD POMPY POMOCNICZEJ	1	191288C3	
14	FAN JACKSHAFT DRIVE	NAPĘD WAŁKA POŚREDNIEGO DMUCHAWY	1	188213C1	
15	FEEDER JACKSHAFT DRIVE	NAPĘD WAŁKA POŚREDNIEGO PRZENOŚNIKA POCHYLEGO	1	1313097C3	
15	FEEDER JACKSHAFT DRIVE	NAPĘD WAŁKA POŚREDNIEGO PRZENOŚNIKA POCHYLEGO	1	1308489C2	
19	FAN JACKSHAFT	NAPĘD WAŁKA DMUCHAWY	1	181359C1	X
20	SLOW SPEED FAN JACKSHAFT	WOLNOOBROTOWY NAPĘD WAŁKA DMUCHAWY	1	610521R1	

X - not in standard offer / brak w standardowej ofercie



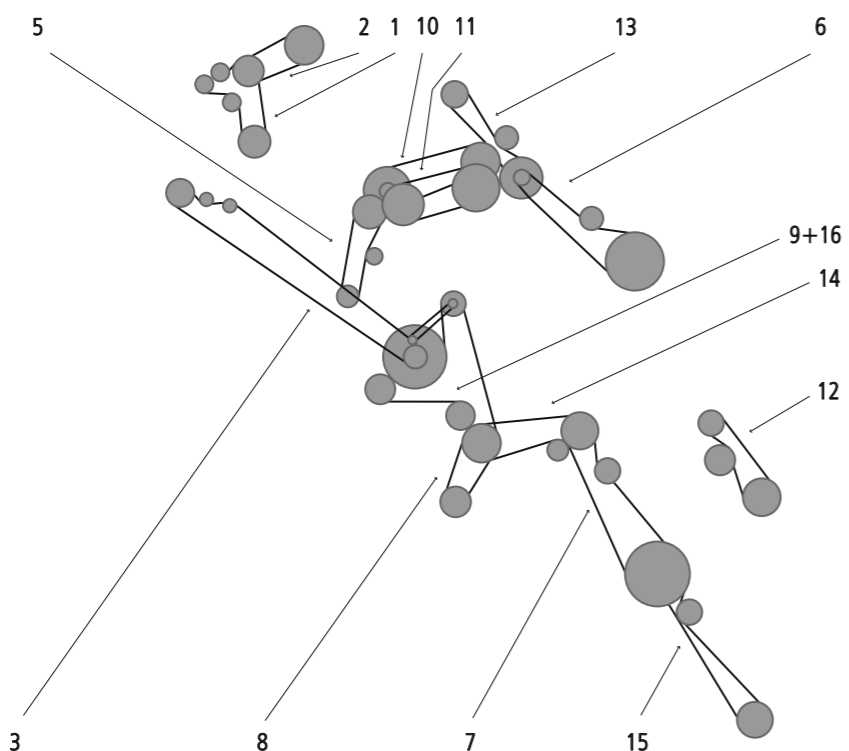
ITEM / POZYCJA	APPLICATION	OPIS	QUANTITY OF V-BELTS IN DRIVE / ILOŚĆ PASÓW W ZESPOLE	OE PART NUMBER / NUMER KATALOGOWY	COMMENT / UWAGI
1	WATER PUMP, FAN, ALTERNATOR	NAPĘD POMPY WODNEJ, WENTYLATORA	2	130724C91	
2	AIR CONDITIONING COMPRESSOR	NAPĘD KOMPRESORA KLIMATYZACJI	1	280210C2	
2	AIR CONDITIONING COMPRESSOR	NAPĘD KOMPRESORA KLIMATYZACJI	1	874097C1	X
3	STRAW SPREADER DRIVE	NAPĘD ROZTRZĄSACZA SŁOMY	1	589622R1	
5	STRAW CHOPPER DRIVE	NAPĘD ROZDRABNIACZA SŁOMY	1	182945C1	
6	UNLOADER AUGER DRIVE	NAPĘD ŚLIMAKA WYSYPU ZBIORNIKA	1	195143C1	
7	FEEDER DRIVE	NAPĘD PRZENOŚNIKA POCHYLEGO	1	186509C2	X
7	FEEDER DRIVE	NAPĘD PRZENOŚNIKA POCHYLEGO	1	186377C1	
8	CLEANING FAN DRIVE	NAPĘD WIALNI CZYSZCZĄCEJ	1	599060R1	
9	ELEVATOR DRIVE UNIT	JEDNOSTKA NAPĘDU PRZENOŚNIKA	1	183049C1	X
10	SEPARATOR DRIVE	NAPĘD SEPARATORA	1	191241C3	
11	ROTOR DRIVE	NAPĘD ROTORA	1	1302174C1	X
12	HYDRAULIC REEL PUMP DRIVE	NAPĘD POMPY HYDRAULICZNEJ MOTOWIDEŁ	1	197414C2	
13	AUXILIARY PUMP DRIVE	NAPĘD POMPY POMOCNICZEJ	1	191288C3	
15	FEEDER JACKSHAFT DRIVE	NAPĘD WAŁKA POŚREDNIEGO PRZENOŚNIKA POCHYLEGO	1	197412C1	
16	CLEANING UNIT DRIVE WITH STRAW CHOPPER	NAPĘD JEDNOSTKI CZYSZCZĄCEJ	1	186509C2	X
17	TAILINGS ELEVATOR DRIVE	NAPĘD ELEWATORA KŁOSOWEGO	1	674965R2	X
18	GRAIN ELEVATOR DRIVE	NAPĘD PRZENOŚNIKA ZIARNOWEGO	1	182619C1	

X - not in standard offer / brak w standardowej ofercie



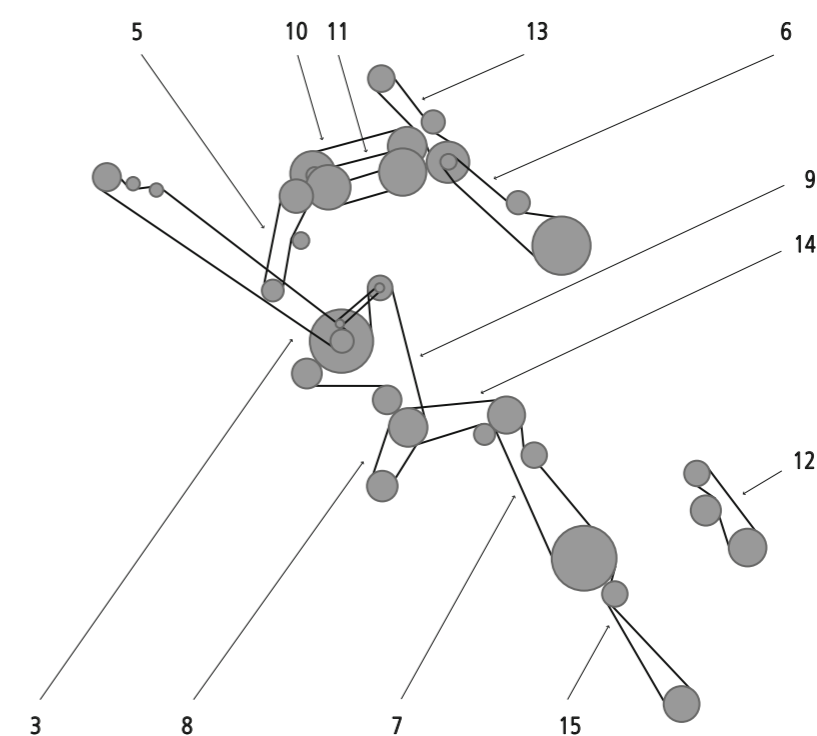
ITEM / POZYCJA	APPLICATION	OPIS	QUANTITY OF V-BELTS IN DRIVE / ILOŚĆ PASÓW W ZESPOLE	OE PART NUMBER / NUMER KATALOGOWY	COMMENT / UWAGI
1	WATER PUMP, FAN, ALTERNATOR	NAPĘD POMPY WODNEJ, WENTYLATORA	2	537072R92	
2	AIR CONDITIONING COMPRESSOR	NAPĘD KOMPRESORA KLIMATYZACJI	1	164550R2	
3	STRAW SPREADER DRIVE	NAPĘD ROZTRZĄSACZA SŁOMY	1	196371C1	
5	STRAW CHOPPER DRIVE	NAPĘD ROZDRABNIACZA SŁOMY	1	1315265C1	
6	UNLOADER AUGER DRIVE	NAPĘD ŚLIMAKA WYSYPU ZBIORNIKA	1	191290C1	
7	FEEDER DRIVE WITHOUT ROCK TRAP	NAPĘD PRZENOŚNIKA POCHYLEGO BEZ ŁAPACZA KAMIENI	1	192738C1	
7	FEEDER DRIVE WITH ROCK TRAP	NAPĘD PRZENOŚNIKA POCHYLEGO Z ŁAPACZEM KAMIENI	1	1315168C1	
8	CLEANING FAN DRIVE	NAPĘD WIALNI CZYSZCZĄCEJ	1	195396C2	
9	ELEVATOR DRIVE UNIT	JEDNOSTKA NAPĘDU PRZENOŚNIKA	1	181055C1	
10	SEPARATOR DRIVE	NAPĘD SEPARATORA	1	191241C3	
11	ROTOR DRIVE	NAPĘD ROTORA	1	244420A1	
12	REEL DRIVE PUMP	POMPA NAPĘDU MOTOWIDEŁ	1	1321564C2	
12	REEL DRIVE PUMP	POMPA NAPĘDU MOTOWIDEŁ	1	1321565C1	
13	AUXILIARY PUMP DRIVE	NAPĘD POMPY POMOCNICZEJ	1	191288C3	
14	FAN JACKSHAFT DRIVE	NAPĘD WAŁKA POŚREDNIEGO DMUCHAWY	1	191305C1	
15	FEEDER JACKSHAFT DRIVE	NAPĘD WAŁKA POŚREDNIEGO PRZENOŚNIKA POCHYLEGO	1	1313095C2	
15	FEEDER JACKSHAFT DRIVE	NAPĘD WAŁKA POŚREDNIEGO PRZENOŚNIKA POCHYLEGO	1	1313097C3	
19	FAN JACKSHAFT	NAPĘD WAŁKA DMUCHAWY	1	181359C1	X
20	SLOW SPEED FAN JACKSHAFT	WOLNOOBROTOWY NAPĘD WAŁKA DMUCHAWY	1	610521R1	

X - not in standard offer / brak w standardowej ofercie



ITEM / POZYCJA	APPLICATION	OPIS	QUANTITY OF V-BELTS IN DRIVE / ILOŚĆ PASÓW W ZESPOLE	OE PART NUMBER / NUMER KATALOGOWY	COMMENT / UWAGI
1	WATER PUMP, FAN, ALTERNATOR	NAPĘD POMPY WODNEJ, WENTYLATORA	1	J911562	X
2	AIR CONDITIONING COMPRESSOR	NAPĘD KOMPRESORA KLIMATYZACJI	1	L72739	
3	STRAW SPREADER DRIVE	NAPĘD ROZTRZĄSACZA SŁOMY	1	196371C1	
5	STRAW CHOPPER DRIVE	NAPĘD ROZDRABNIACZA SŁOMY	1	1347157C1	
6	UNLOADER AUGER DRIVE	NAPĘD ŚLIMAKA WYSYPU ZBIORNIKA	1	191290C1	
6	UNLOADER AUGER DRIVE	NAPĘD ŚLIMAKA WYSYPU ZBIORNIKA	1	1989216C1	
7	FEEDER DRIVE WITHOUT ROCK TRAP	NAPĘD PRZENOŚNIKA POCHYLEGO BEZ ŁAPACZA KAMIENI	1	192738C1	
7	FEEDER DRIVE WITH ROCK TRAP	NAPĘD PRZENOŚNIKA POCHYLEGO Z ŁAPACZEM KAMIENI	1	1315168C1	
8	CLEANING FAN DRIVE	NAPĘD WIALNI CZYSZCZĄCEJ	1	195396C2	
9	ELEVATOR DRIVE UNIT	JEDNOSTKA NAPĘDU PRZENOŚNIKA	1	186509C2	X
10	SEPARATOR DRIVE	NAPĘD SEPARATORA	1	191241C3	
11	ROTOR DRIVE	NAPĘD ROTORA	1	244420A1	
12	REEL DRIVE PUMP	POMPA NAPĘDU MOTOWIDEŁ	1	1321564C2	
12	REEL DRIVE PUMP	POMPA NAPĘDU MOTOWIDEŁ	1	1321565C2	
12	REEL DRIVE PUMP	POMPA NAPĘDU MOTOWIDEŁ	1	1330311C2	X
12	REEL DRIVE PUMP	POMPA NAPĘDU MOTOWIDEŁ	1	1979606C1	
13	AUXILIARY PUMP DRIVE	NAPĘD POMPY POMOCNICZEJ	1	1347387C1	
13	AUXILIARY PUMP DRIVE	NAPĘD POMPY POMOCNICZEJ	1	1970115C1	
14	FAN JACKSHAFT DRIVE	NAPĘD WAŁKA POŚREDNIEGO DMUCHAWY	1	191305C1	
15	FEEDER JACKSHAFT DRIVE	NAPĘD WAŁKA POŚREDNIEGO PRZENOŚNIKA POCHYLEGO	1	1313095C2	
15	FEEDER JACKSHAFT DRIVE	NAPĘD WAŁKA POŚREDNIEGO PRZENOŚNIKA POCHYLEGO	1	1313097C3	
16	CLEANING UNIT DRIVE WITH STRAW CHOPPER	NAPĘD JEDNOSTKI CZYSZCZĄCEJ	1	181055C1	
19	FAN JACKSHAFT	NAPĘD WAŁKA DMUCHAWY	1	181359C1	X
20	SLOW SPEED FAN JACKSHAFT	WOLNOOBROTOWY NAPĘD WAŁKA DMUCHAWY	1	610521R1	

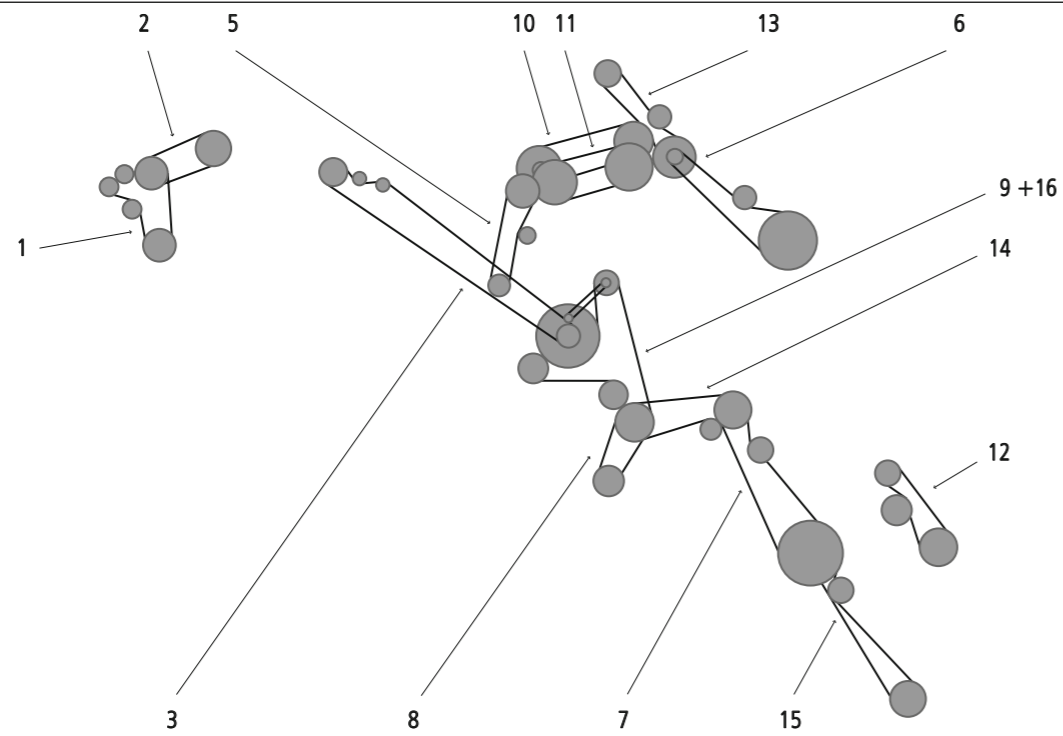
X - not in standard offer / brak w standardowej ofercie



ITEM / POZYCJA	APPLICATION	OPIS	QUANTITY OF V-BELTS IN DRIVE / ILOŚĆ PASÓW W ZESPOLE	OE PART NUMBER / NUMER KATALOGOWY	COMMENT / UWAGI
1	WATER PUMP, FAN, ALTERNATOR	NAPĘD POMPY WODNEJ, WENTYLATORA	2	537072R92	
2	AIR CONDITIONING COMPRESSOR	NAPĘD KOMPRESORA KLIMATYZACJI	1	164550R2	
3	STRAW SPREADER DRIVE	NAPĘD ROZTRZĄSACZA SŁOMY	1	196371C1	
5	STRAW CHOPPER DRIVE	NAPĘD ROZDRABNIACZA SŁOMY	1	1315265C1	
6	UNLOADER AUGER DRIVE	NAPĘD ŚLIMAKA WYSYPU ZBIORNIKA	1	191290C1	
7	FEEDER DRIVE WITHOUT ROCK TRAP	NAPĘD PRZENOŚNIKA POCHYLEGO BEZ ŁAPACZA KAMIENI	1	192738C1	
7	FEEDER DRIVE WITH ROCK TRAP	NAPĘD PRZENOŚNIKA POCHYLEGO Z ŁAPACZEM KAMIENI	1	1315168C1	
8	CLEANING FAN DRIVE	NAPĘD WIALNI CZYSZCZĄCEJ	1	195396C2	
9	ELEVATOR DRIVE UNIT	JEDNOSTKA NAPĘDU PRZENOŚNIKA	1	181055C1	
10	SEPARATOR DRIVE	NAPĘD SEPARATORA	1	191241C3	
11	ROTOR DRIVE	NAPĘD ROTORA	1	244420A1	
12	REEL DRIVE PUMP	POMPA NAPĘDU MOTOWIDEŁ	1	1321564C2	
12	REEL DRIVE PUMP	POMPA NAPĘDU MOTOWIDEŁ	1	1321565C1	
13	AUXILIARY PUMP DRIVE	NAPĘD POMPY POMOCNICZEJ	1	191288C3	
14	FAN JACKSHAFT DRIVE	NAPĘD WAŁKA POŚREDNIEGO DMUCHAWY	1	191305C1	
15	FEEDER JACKSHAFT DRIVE	NAPĘD WAŁKA POŚREDNIEGO PRZENOŚNIKA POCHYLEGO	1	1313095C2	
15	FEEDER JACKSHAFT DRIVE	NAPĘD WAŁKA POŚREDNIEGO PRZENOŚNIKA POCHYLEGO	1	1313097C3	
19	FAN JACKSHAFT	NAPĘD WAŁKA DMUCHAWY	1	181359C1	X
20	SLOW SPEED FAN JACKSHAFT	WOLNOOBROTOWY NAPĘD WAŁKA DMUCHAWY	1	610521R1	

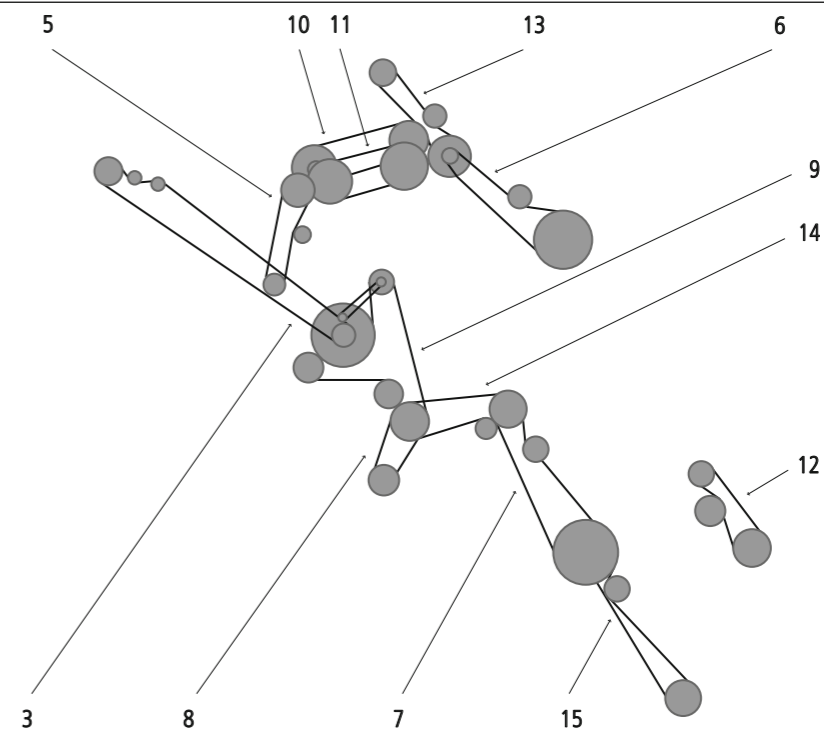
X - not in standard offer / brak w standardowej ofercie





ITEM / POZYCJA	APPLICATION	OPIS	QUANTITY OF V-BELTS IN DRIVE / ILOŚĆ PASÓW W ZESPOLE	OE PART NUMBER / NUMER KATALOGOWY	COMMENT / UWAGI
1	WATER PUMP, FAN, ALTERNATOR	NAPĘD POMPY WODNEJ, WENTYLATORA	1	J911572	X
1	WATER PUMP, FAN, ALTERNATOR	NAPĘD POMPY WODNEJ, WENTYLATORA	1	J911574	X
2	AIR CONDITIONING COMPRESSOR	NAPĘD KOMPRESORA KLIMATYZACJI	1	396829R1	
3	STRAW SPREADER DRIVE	NAPĘD ROZTRZĄSACZA SŁOMY	1	196371C1	
5	STRAW CHOPPER DRIVE	NAPĘD ROZDRABNIACZA SŁOMY	1	1347157C1	
5	STRAW CHOPPER DRIVE	NAPĘD ROZDRABNIACZA SŁOMY	1	1315265C1	
6	UNLOADER AUGER DRIVE	NAPĘD ŚLIMAKA WYSYPU ZBIORNIKA	1	191290C1	
6	UNLOADER AUGER DRIVE	NAPĘD ŚLIMAKA WYSYPU ZBIORNIKA	1	1989216C1	
7	FEEDER DRIVE WITHOUT ROCK TRAP	NAPĘD PRZENOŚNIKA POCHYLEGO BEZ ŁAPACZA KAMIENI	1	192738C1	
7	FEEDER DRIVE WITH ROCK TRAP	NAPĘD PRZENOŚNIKA POCHYLEGO Z ŁAPACZEM KAMIENI	1	1315168C1	
8	CLEANING FAN DRIVE	NAPĘD WIALNI CZYSZCZĄCEJ	1	1541569C1	
8	CLEANING FAN DRIVE	NAPĘD WIALNI CZYSZCZĄCEJ	1	195396C2	
9	ELEVATOR DRIVE UNIT	JEDNOSTKA NAPĘDU PRZENOŚNIKA	1	186509C2	X
10	SEPARATOR DRIVE	NAPĘD SEPARATORA	1	191241C3	
11	ROTOR DRIVE	NAPĘD ROTORA	1	244420A1	
12	REEL DRIVE PUMP	POMPA NAPĘDU MOTOWIDEŁ	1	1321564C2	
12	REEL DRIVE PUMP	POMPA NAPĘDU MOTOWIDEŁ	1	1321565C2	
12	REEL DRIVE PUMP	POMPA NAPĘDU MOTOWIDEŁ	1	1330311C2	X
12	REEL DRIVE PUMP	POMPA NAPĘDU MOTOWIDEŁ	1	1979606C1	
13	AUXILIARY PUMP DRIVE	NAPĘD POMPY POMOCNICZEJ	1	1347387C1	
13	AUXILIARY PUMP DRIVE	NAPĘD POMPY POMOCNICZEJ	1	1541699C1	
13	AUXILIARY PUMP DRIVE	NAPĘD POMPY POMOCNICZEJ	1	1970115C1	
14	FAN JACKSHAFT DRIVE	NAPĘD WAŁKA POŚREDNIEGO DMUCHAWY	1	191305C1	
15	FEEDER JACKSHAFT DRIVE	NAPĘD WAŁKA POŚREDNIEGO PRZENOŚNIKA POCHYLEGO	1	1313095C2	
15	FEEDER JACKSHAFT DRIVE	NAPĘD WAŁKA POŚREDNIEGO PRZENOŚNIKA POCHYLEGO	1	1313097C3	
16	CLEANING UNIT DRIVE WITH STRAW CHOPPER	NAPĘD JEDNOSTKI CZYSZCZĄCEJ	1	181055C1	
19	FAN JACKSHAFT DRIVE	NAPĘD WAŁKA POŚREDNIEGO DMUCHAWY	1	181359C1	X
20	SLOW SPEED FAN JACKSHAFT	WOLNOOBROTOWY NAPĘD WAŁKA DMUCHAWY	1	610521R1	
21	CHAFT SPREADER UPPER	NAPĘD GÓRNY ROZTRZĄSACZA PLEW	1	123305A1	
22	CHAFT SPREADER LOWER	NAPĘD DOLNY ROZTRZĄSACZA PLEW	1	123306A1	

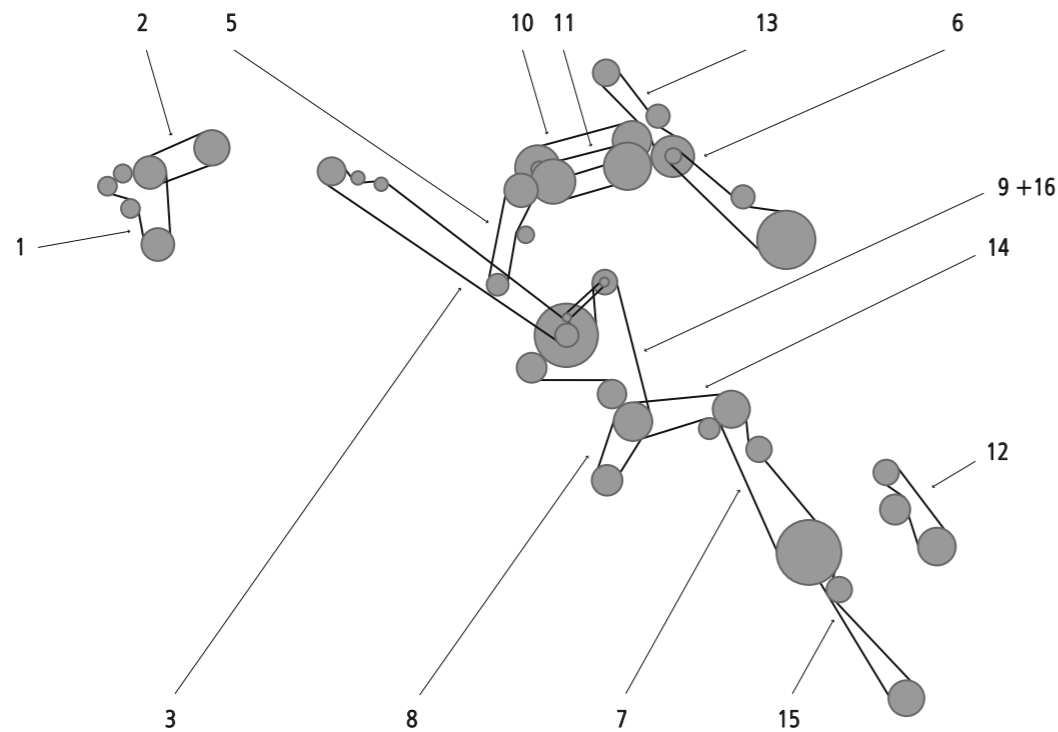
X - not in standard offer / brak w standardowej ofercie



ITEM / POZYCJA	APPLICATION	OPIS	QUANTITY OF V-BELTS IN DRIVE / ILOŚĆ PASÓW W ZESPOLE	OE PART NUMBER / NUMER KATALOGOWY	COMMENT / UWAGI
1	WATER PUMP, FAN, ALTERNATOR	NAPĘD POMPY WODNEJ, WENTYLATORA, ALTERNATORA	1	131201C92	
2	AIR CONDITIONING COMPRESSOR	NAPĘD KOMPRESORA KLIMATYZACJI	1	1250587C1	
3	STRAW SPREADER DRIVE	NAPĘD ROZTRZĄSACZA SŁOMY	1	196371C1	
5	STRAW CHOPPER DRIVE	NAPĘD ROZDRABNIACZA SŁOMY	1	1315266C1	
6	UNLOADER AUGER DRIVE	NAPĘD ŚLIMAKA WYSYPU ZBIORNIKA	1	191291C1	
7	FEEDER DRIVE WITHOUT ROCK TRAP	NAPĘD PRZENOŚNIKA POCHYLEGO BEZ ŁAPACZA KAMIENI	1	1315074C1	
7	FEEDER DRIVE WITH ROCK TRAP	NAPĘD PRZENOŚNIKA POCHYLEGO Z ŁAPACZEM KAMIENI	1	194528C1	
8	CLEANING FAN DRIVE	NAPĘD WIALNI CZYSZCZĄCEJ	1	195396C2	
9	ELEVATOR DRIVE UNIT	JEDNOSTKA NAPĘDU PRZENOŚNIKA	1	186509C2	X
10	SEPARATOR DRIVE	NAPĘD SEPARATORA	1	191244C1	
11	ROTOR DRIVE	NAPĘD ROTORA	1	244422A1	X
12	REEL DRIVE PUMP	POMPA NAPĘDU MOTOWIDEŁ	1	1315226C1	
12	REEL DRIVE PUMP	POMPA NAPĘDU MOTOWIDEŁ	1	1321565C1	
13	AUXILIARY PUMP DRIVE	NAPĘD POMPY POMOCNICZEJ	1	191288C3	
14	FAN JACKSHAFT DRIVE	NAPĘD WAŁKA POŚREDNIEGO DMUCHAWY	1	188213C1	
15	FEEDER JACKSHAFT DRIVE	NAPĘD WAŁKA POŚREDNIEGO PRZENOŚNIKA POCHYLEGO	1	1313097C3	
15	FEEDER JACKSHAFT DRIVE	NAPĘD WAŁKA POŚREDNIEGO PRZENOŚNIKA POCHYLEGO	1	1308489C2	
16	CLEANING UNIT DRIVE WITH STRAW CHOPPER	NAPĘD JEDNOSTKI CZYSZCZĄCEJ	1	181055C1	
19	FAN JACKSHAFT DRIVE	NAPĘD WAŁKA POŚREDNIEGO DMUCHAWY	1	181359C1	X
20	SLOW SPEED FAN JACKSHAFT	WOLNOOBROTOWY NAPĘD WAŁKA DMUCHAWY	1	610521R1	

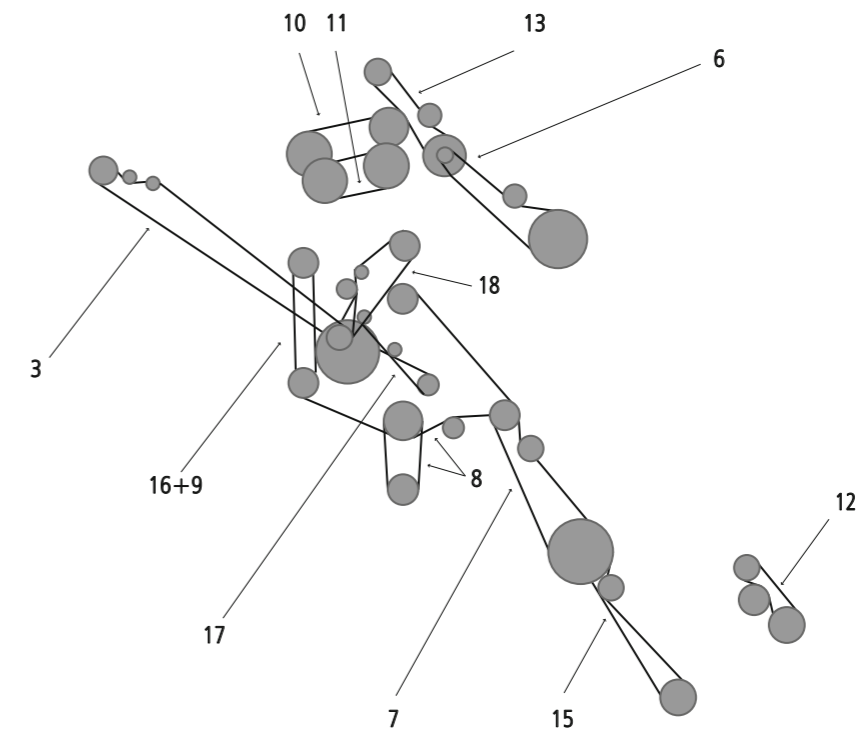
X - not in standard offer / brak w standardowej ofercie





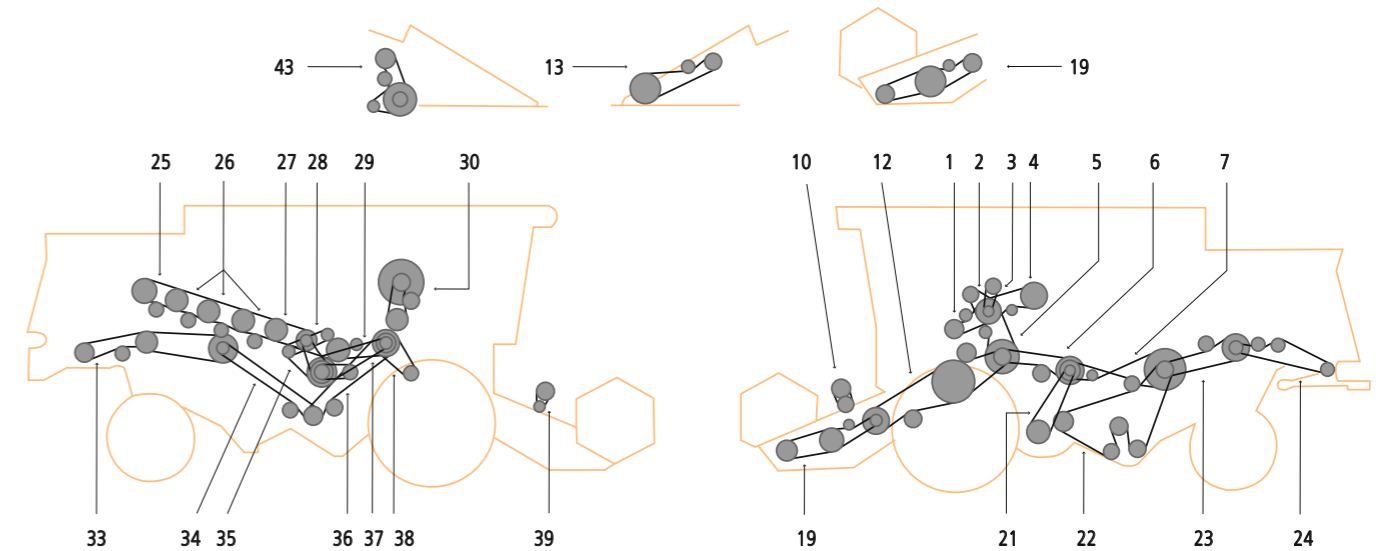
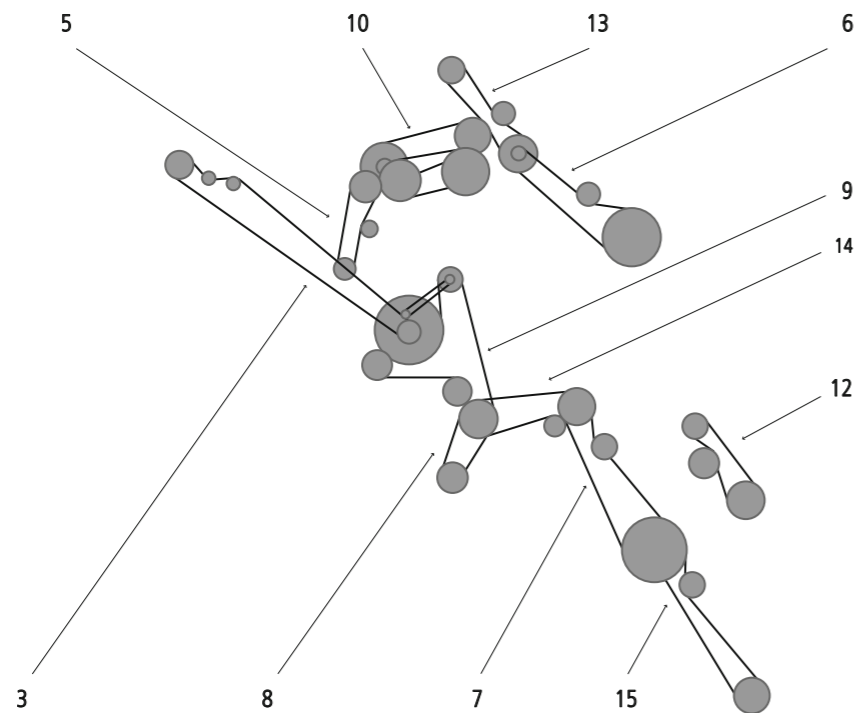
ITEM / POZYCJA	APPLICATION	OPIS	QUANTITY OF V-BELTS IN DRIVE / ILOŚĆ PASÓW W ZESPOLE	OE PART NUMBER / NUMER KATALOGOWY	COMMENT / UWAGI
1	WATER PUMP, FAN, ALTERNATOR	NAPĘD POMPY WODNEJ, WENTYLATORA, ALTERNATORA	1	J911572	X
1	WATER PUMP, FAN, ALTERNATOR	NAPĘD POMPY WODNEJ, WENTYLATORA, ALTERNATORA	1	J911574	X
2	AIR CONDITIONING COMPRESSOR	NAPĘD KOMPRESORA KLIMATYZACJI	1	396829R1	
3	STRAW SPREADER DRIVE	NAPĘD ROZTRZĄSACZA SŁOMY	1	196371C1	
5	STRAW CHOPPER DRIVE	NAPĘD ROZDRABNIACZA SŁOMY	1	1347160C1	
5	STRAW CHOPPER DRIVE	NAPĘD ROZDRABNIACZA SŁOMY	1	1315266C1	
6	UNLOADER AUGER DRIVE	NAPĘD ŚLIMAKA WYSYPU ZBIORNIKA	1	191291C1	
6	UNLOADER AUGER DRIVE	NAPĘD ŚLIMAKA WYSYPU ZBIORNIKA	1	1989217C1	
7	FEEDER DRIVE	NAPĘD PRZENOŚNIKA POCHYLEGO	1	194528C1	
8	CLEANING FAN DRIVE	NAPĘD WIALNI CZYSZCZĄCEJ	1	1541569C1	
8	CLEANING FAN DRIVE	NAPĘD WIALNI CZYSZCZĄCEJ	1	195396C2	
9	ELEVATOR DRIVE UNIT	JEDNOSTKA NAPĘDU PRZENOŚNIKA	1	186509C2	X
10	SEPARATOR DRIVE	NAPĘD SEPARATORA	1	1330499C1	
10	SEPARATOR DRIVE	NAPĘD SEPARATORA	1	1541702C1	
11	ROTOR DRIVE	NAPĘD ROTORA	1	244422A1	X
12	REEL DRIVE PUMP	POMPA NAPĘDU MOTOWIDEŁ	1	1315226C1	
12	REEL DRIVE PUMP	POMPA NAPĘDU MOTOWIDEŁ	1	1321565C1	
12	REEL DRIVE PUMP	POMPA NAPĘDU MOTOWIDEŁ	1	1330311C2	X
12	REEL DRIVE PUMP	POMPA NAPĘDU MOTOWIDEŁ	1	1979607C1	
13	AUXILIARY PUMP DRIVE	NAPĘD POMPY POMOCNICZEJ	1	1347358C1	
13	AUXILIARY PUMP DRIVE	NAPĘD POMPY POMOCNICZEJ	1	1541700C1	
13	AUXILIARY PUMP DRIVE	NAPĘD POMPY POMOCNICZEJ	1	1970116C1	
14	FAN JACKSHAFT DRIVE	NAPĘD WAŁKA POŚREDNIEGO DMUCHAWY	1	188213C1	
15	FEEDER JACKSHAFT DRIVE	NAPĘD WAŁKA POŚREDNIEGO PRZENOŚNIKA POCHYLEGO	1	1313097C3	
15	FEEDER JACKSHAFT DRIVE	NAPĘD WAŁKA POŚREDNIEGO PRZENOŚNIKA POCHYLEGO	1	1308489C2	
16	CLEANING UNIT DRIVE WITH STRAW CHOPPER	NAPĘD JEDNOSTKI CZYSZCZĄCEJ	1	181055C1	
19	FAN JACKSHAFT DRIVE	NAPĘD WAŁKA POŚREDNIEGO DMUCHAWY	1	181359C1	X
20	SLOW SPEED FAN JACKSHAFT	WOLNOOBROTOWY NAPĘD WAŁKA DMUCHAWY	1	610521R1	
21	CHAFT SPREADER UPPER	NAPĘD GÓRNY ROZTRZĄSACZA PLEW	1	123305A1	
22	CHAFT SPREADER LOWER	NAPĘD DOLNY ROZTRZĄSACZA PLEW	1	123307A1	

X - not in standard offer / brak w standardowej ofercie



ITEM / POZYCJA	APPLICATION	OPIS	QUANTITY OF V-BELTS IN DRIVE / ILOŚĆ PASÓW W ZESPOLE	OE PART NUMBER / NUMER KATALOGOWY	COMMENT / UWAGI
1	WATER PUMP, FAN, ALTERNATOR	NAPĘD POMPY WODNEJ, WENTYLATORA	1	J911572	X
2	AIR CONDITIONING COMPRESSOR	NAPĘD KOMPRESORA KLIMATYZACJI	1	396829R1	
3	STRAW SPREADER DRIVE	NAPĘD ROZTRZĄSACZA SŁOMY	1	196371C1	
5	STRAW CHOPPER DRIVE	NAPĘD ROZDRABNIACZA SŁOMY	1	1347157C1	
6	UNLOADER AUGER DRIVE	NAPĘD ŚLIMAKA WYSYPU ZBIORNIKA	1	191290C1	
7	FEEDER DRIVE WITH ROCK TRAP	NAPĘD PRZENOŚNIKA POCHYLEGO Z ŁAPACZEM KAMIENI	1	1315168C1	
7	FEEDER DRIVE WITHOUT ROCK TRAP	NAPĘD PRZENOŚNIKA POCHYLEGO BEZ ŁAPACZA KAMIENI	1	192738C1	
8	CLEANING FAN DRIVE	NAPĘD WIALNI CZYSZCZĄCEJ	1	1541569C1	
9	ELEVATOR DRIVE UNIT	JEDNOSTKA NAPĘDU PRZENOŚNIKA	1	186509C2	X
10	SEPARATOR DRIVE	NAPĘD SEPARATORA	1	191241C3	
11	ROTOR VARIATOR DRIVE	NAPĘD ROTORA	1	244420A1	
13	AUXILIARY PUMP DRIVE	NAPĘD POMPY POMOCNICZEJ	1	124572A1	
14	FAN JACKSHAFT DRIVE	NAPĘD WAŁKA POŚREDNIEGO DMUCHAWY	1	191305C1	
15	FEEDER JACKSHAFT DRIVE	NAPĘD WAŁKA POŚREDNIEGO PRZENOŚNIKA POCHYLEGO	1	1308489C2	
15	FEEDER JACKSHAFT DRIVE	NAPĘD WAŁKA POŚREDNIEGO PRZENOŚNIKA POCHYLEGO	1	1313097C3	
16	CLEANING UNIT DRIVE	NAPĘD KOSZA SITOWEGO	1	181055C1	
21	CHAFT SPREADER UPPER	NAPĘD GÓRNY ROZTRZĄSACZA PLEW	1	123305A1	
22	CHAFT SPREADER LOWER	NAPĘD DOLNY ROZTRZĄSACZA PLEW	1	123306A1	

X - not in standard offer / brak w standardowej ofercie

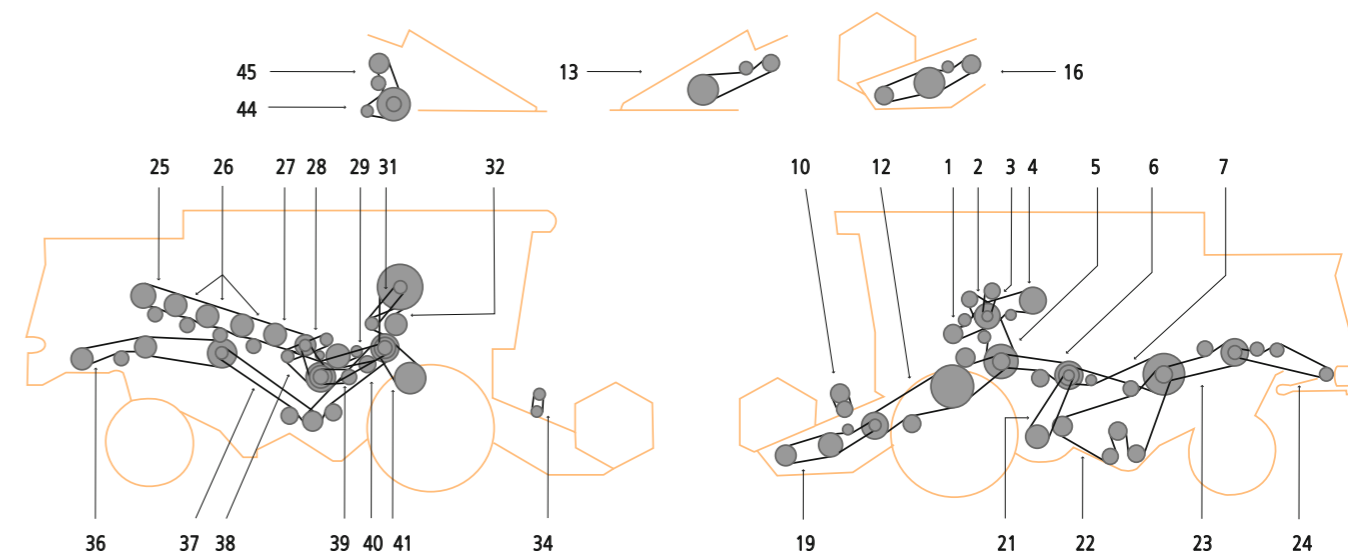
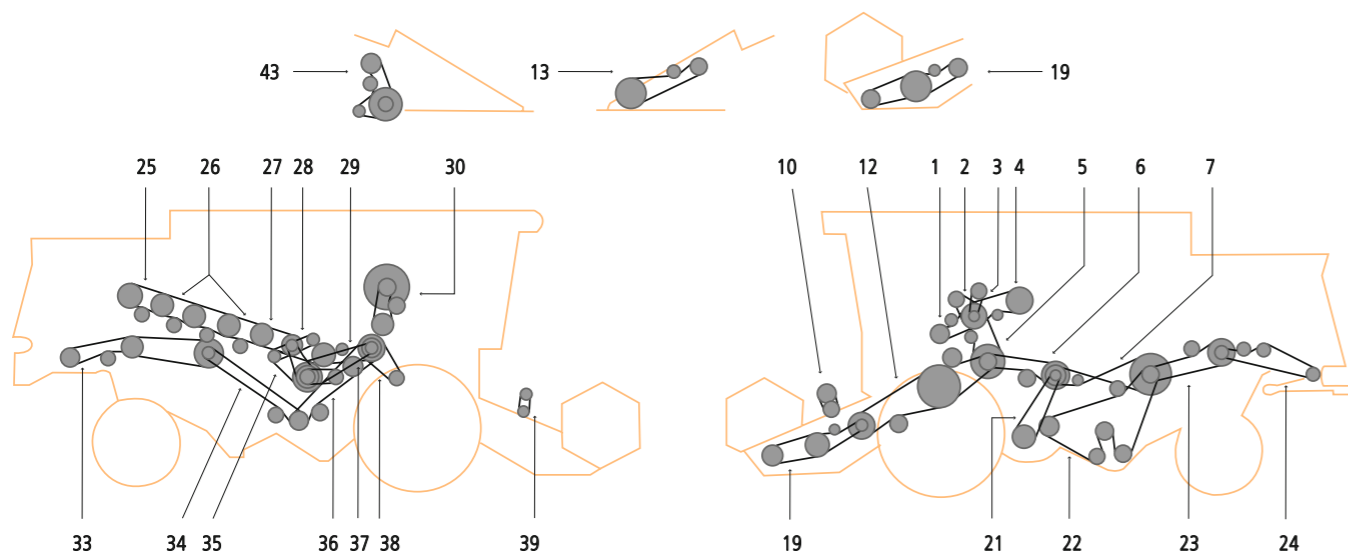


ITEM / POZYCJA	APPLICATION	OPIS	QUANTITY OF V-BELTS IN DRIVE / ILOŚĆ PASÓW W ZESPOLE	OE PART NUMBER / NUMER KATALOGOWY	COMMENT / UWAGI
1	BALER	NAPĘD PRASY	1	506880.0	
1	BALER	NAPĘD PRASY	1	506940.0	
2	ALTERNATOR DRIVE	NAPĘD POMPY HYDRAULICZNEJ	1	624131.0	
2	ALTERNATOR DRIVE	NAPĘD POMPY HYDRAULICZNEJ	1	750296.0	
2	ALTERNATOR DRIVE	NAPĘD POMPY HYDRAULICZNEJ	1	750624.0	
3	KNIFE DRIVE	NAPĘD KOSY	1	756051.0	
3	KNIFE DRIVE	NAPĘD KOSY	1	801221.0	
4	UNLOADER AUGER DRIVE	NAPĘD ŚLIMAKA WYSYPU ZBIORNIKA	1	756059.0	
5	CUTTING TABLE	NAPĘD POŚREDNI HEDERA	1	772657.0	
6	UNLOADER AUGER DRIVE	NAPĘD ŚLIMAKA WYSYPU ZBIORNIKA	1	775698.0	
7	PICK-UP	NAPĘD PODBIERACZA PRASY	1	800309.0	
8	SHAKER SHOE FANNING MILL	NAPĘD WIALNI, WYTRZĄSACZY	1	506023.0	
9	THRESHING MACHINE	NAPĘD BĘBNA MŁÓCĄCEGO, ODRZUTNIKA	1	801222.0	
10	TRACTION DRIVE	NAPĘD JAZDY	1	750294.0	
11	TRACTION DRIVE	NAPĘD JAZDY	1	751112.0	
12	SHAKER SHOE FANNING MILL	NAPĘD WIALNI, WYTRZĄSACZY	1	772658.0	
12	SHAKER SHOE FANNING MILL	NAPĘD WIALNI, WYTRZĄSACZY	1	772660.0	
13	STRAW WALKER DRIVE	NAPĘD WYTRZĄSACZY, KOSZA SITOWEGO	1	773313.0	
13	STRAW WALKER DRIVE	NAPĘD WYTRZĄSACZY, KOSZA SITOWEGO	1	774100.0	

X - not in standard offer / brak w standardowej ofercie

ITEM / POZYCJA	APPLICATION	OPIS	QUANTITY OF V-BELTS IN DRIVE / ILOŚĆ PASÓW W ZESPOLE	OE PART NUMBER / NUMER KATALOGOWY	COMMENT / UWAGI
1	TRACTION DRIVE	NAPĘD JAZDY	1	629279.0	
2	HYDRAULIC PUMP DRIVE	NAPĘD POMPY HYDRAULICZNEJ	1	629002.1	
3	AIR CONDITIONING COMPRESSOR	NAPĘD KOMPRESORA KLIMATYZACJI	1	629908.1	
4	GRAIN TANK DRIVE	NAPĘD ZBIORNIKA ZBOŻOWEGO	1	629763.0	
5	THRESHING MACHINE	NAPĘD MŁÓCARNI	1	629000.1	
6	BLOWER	NAPĘD WIALNI CZYSZCZĄCEJ	1	603337.0	
7	SHAKER SHOE DRIVE	NAPĘD ZESPOŁU WIALNI CZYSZCZĄCEJ	1	644141.0	
10	HEADER DRIVE	NAPĘD HEDERA	1	670224.1	X
12	HEADER DRIVE	NAPĘD HEDERA	2	603017.3	
13	FOR MAIZE PICKER	NAPĘD PRZYSTAWKI	1	692149.0	
13	FOR MAIZE PICKER	NAPĘD PRZYSTAWKI	1	692150.0	
16	HEADER DRIVE	NAPĘD HEDERA	1	671013.1	
19	HEADER DRIVE	NAPĘD HEDERA	1	713506.2	
21	CLEANING FAN DRIVE	NAPĘD WIALNI CZYSZCZĄCEJ	1	603380.0	
22	SHAKER SHOE DRIVE	NAPĘD KOSZA SITOWEGO	1	609762.0	
23	FOR STRAW DISTRIBUTOR	DO ROZTRZĄSACZA SŁOMY	1	506671.1	
24	FOR STRAW DISTRIBUTOR	DO ROZTRZĄSACZA SŁOMY	1	640653.1	
25	8. SEPARATOR CYLINDER	NAPĘD 8 BĘBNA SEPARATORA	1	644014.1	
26	5. 6. & 7. SEPARATOR CYLINDER	NAPĘD 5, 6, 7 BĘBNA SEPARATORA	1	644015.1	
27	3. & 4. SEPARATOR CYLINDER	NAPĘD 3, 4 BĘBNA SEPARATORA	1	644016.1	
29	COUNTERSHAFT DRIVE	NAPĘD BĘBNA MŁÓCĄCEGO	1	064168.2	
30	COOLER	NAPĘD ROTORA KOSZA FILTRACYJNEGO CHŁODNICY	1	233843.1	
33	STRAW CHOPPER DRIVE	NAPĘD ROZDRABNIACZA SŁOMY	2	061872.0	
33	STRAW CHOPPER DRIVE	NAPĘD ROZDRABNIACZA SŁOMY	1	061701.1	
34	STRAW CHOPPER DRIVE	NAPĘD ROZDRABNIACZA SŁOMY	1	061700.0	
35	STRAW WALKER	NAPĘD ZESPOŁU BĘBNÓW SEPARATORA	2	603247.1	
37	1. & 2. SEPARATOR CYLINDER	NAPĘD 1 I 2 BĘBNA SEPARATORA	1	644014.1	
38	CYLINDER DRIVE	NAPĘD BĘBNA MŁÓCĄCEGO	1	628630.0	
38	CYLINDER DRIVE	NAPĘD BĘBNA MŁÓCĄCEGO	1	644177.0	X
39	REEL DRIVE	NAPĘD MOTOWIDŁA	1	670224.1	X
43	FOR MAIZE PICKER	NAPĘD PRZYSTAWKI	1	680334.1	

X - not in standard offer / brak w standardowej ofercie



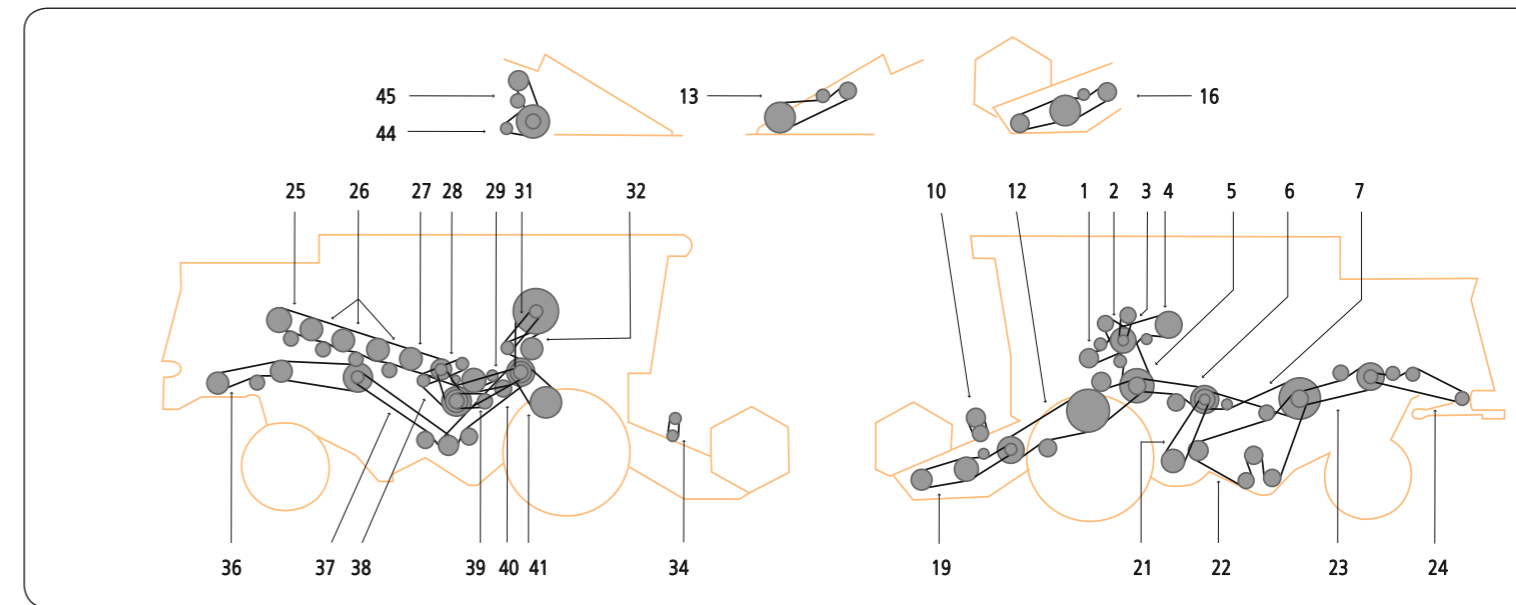
ITEM / POZYCJA	APPLICATION	OPIS	QUANTITY OF V-BELTS IN DRIVE / ILOŚĆ PASÓW W ZESPOLE	OE PART NUMBER / NUMER KATALOGOWY	COMMENT / UWAGI
1	TRACTION DRIVE	NAPĘD JAZDY	1	644017.0	
2	HYDRAULIC PUMP DRIVE	NAPĘD POMPY HYDRAULICZNEJ	1	629002.1	
3	AIR CONDITIONING COMPRESSOR	NAPĘD KOMPRESORA KLIMATYZACJI	1	629908.1	
4	GRAIN TANK DRIVE	NAPĘD ZBIORNIKA ZBOŻOWEGO	1	629763.0	
5	THRESHING MACHINE	NAPĘD MŁOCARNI	1	644018.1	
6	BLOWER	NAPĘD WIALNI CZYSZCZĄCEJ	1	603337.0	
7	SHAKER SHOE DRIVE	NAPĘD ZESPOŁU WIALNI CZYSZCZĄCEJ	1	644141.0	
10	REEL DRIVE	NAPĘD MOTOWIDŁA	1	670224.1	X
12	HEADER DRIVE	NAPĘD HEDERA	2	603017.3	
13	FOR MAIZE PICKER	NAPĘD PRZEKŁADNI PRZYSTAWKI	1	692149.0	
13	FOR MAIZE PICKER	NAPĘD PRZEKŁADNI PRZYSTAWKI	1	692150.0	
16	KNIFE DRIVE	NAPĘD KOSY	1	671013.1	
19	KNIFE DRIVE	NAPĘD KOSY	1	713506.2	
21	BLOWER	NAPĘD WIALNI CZYSZCZĄCEJ	1	603380.0	
22	SIEVE PAN	NAPĘD KOSZA SITOWEGO I PRZENOŚNIKÓW ŚLIMAKOWYCH	1	609762.0	
23	STRAW DISTRIBUTOR	NAPĘD ROZTRZĄSACZA SŁOMY	1	506671.1	
24	STRAW DISTRIBUTOR	NAPĘD ROZTRZĄSACZA SŁOMY	1	640653.1	
25	8. SEPARATOR CYLINDER	NAPĘD 8 BĘBNA SEPARATORA	1	644014.1	
26	5. 6. & 7. SEPARATOR CYLINDER	NAPĘD 5, 6, 7 BĘBNA SEPARATORA	1	644015.1	
27	3. & 4. SEPARATOR CYLINDER	NAPĘD 3, 4 BĘBNA SEPARATORA	1	644016.1	
29	CYLINDER DRIVE	NAPĘD BĘBNA MŁÓCĄCEGO	1	064168.2	
30	COOLER	NAPĘD ROTORA KOSZA FILTRACYJNEGO CHŁODNICY	1	233843.1	
33	STRAW CHOPPER DRIVE	NAPĘD ROZDRABNIACZA SŁOMY	2	061872.0	
33	STRAW CHOPPER DRIVE	NAPĘD ROZDRABNIACZA SŁOMY	1	061701.1	
34	STRAW CHOPPER DRIVE	NAPĘD ROZDRABNIACZA SŁOMY	1	061700.0	
35	STRAW WALKER	NAPĘD ZESPOŁU BĘBNÓW SEPARATORA	2	603247.1	
36	FOR STRAW CHOPPER	NAPĘD POŚREDNI ROZDRABNIACZA SŁOMY	1	061700.0	
37	1. & 2. SEPARATOR CYLINDER	NAPĘD 1 I 2 BĘBNA SEPARATORA	1	644014.1	
38	CYLINDER DRIVE	NAPĘD BĘBNA MŁÓCĄCEGO	1	628630.0	
38	CYLINDER DRIVE	NAPĘD BĘBNA MŁÓCĄCEGO	1	644177.0	X
39	REEL DRIVE	NAPĘD MOTOWIDŁA	1	670224.1	X
42	FOR MAIZE PICKER	NAPĘD PRZYSTAWKI	1	695610.1	X
43	FOR MAIZE PICKER	NAPĘD PRZYSTAWKI	1	680334.1	

X - not in standard offer / brak w standardowej ofercie

ITEM / POZYCJA	APPLICATION	OPIS	QUANTITY OF V-BELTS IN DRIVE / ILOŚĆ PASÓW W ZESPOLE	OE PART NUMBER / NUMER KATALOGOWY	COMMENT / UWAGI
1	TRAVEL DRIVE	NAPĘD JAZDY	1	644017.0	
1	TRAVEL DRIVE	NAPĘD JAZDY	1	661092.1	
2	HYDRAULIC PUMP DRIVE	NAPĘD POMPY HYDRAULICZNEJ	1	629002.1	
2	HYDRAULIC PUMP DRIVE	NAPĘD POMPY HYDRAULICZNEJ	1	633030.2	
3	AIR CONDITIONING	KLIMATYZACJA	1	629908.1	
4	TANK UNLOADING	NAPĘD MECHANIZMU WYSYPU ZBIORNIKA ZBOŻOWEGO	1	661093.0	
4	TANK UNLOADING	NAPĘD MECHANIZMU WYSYPU ZBIORNIKA ZBOŻOWEGO	1	629763.0	
5	CYLINDER DRIVE	NAPĘD BĘBNA MŁÓCĄCEGO	1	644018.1	
5	CYLINDER DRIVE	NAPĘD BĘBNA MŁÓCĄCEGO	1	644403.0	
6	COUNTERSHAFT - FAN DRIVE	WAŁEK POŚREDNI WIALNI	1	603337.0	
7	SHAKER SHOE DRIVE	NAPĘD POŚREDNI WYTRZĄSACZY	1	644141.1	
7	SHAKER SHOE DRIVE	NAPĘD POŚREDNI WYTRZĄSACZY	1	603336.0	
10	REEL DRIVE	NAPĘD MOTOWIDŁA	1	670224.1	X
12	CONVEYOR SHAFT	WAŁEK PRZENOŚNIKA POCHYLEGO	2	603017.3	
12	CONVEYOR SHAFT	WAŁEK PRZENOŚNIKA POCHYLEGO	2	603430.0	
12	CONVEYOR SHAFT	WAŁEK PRZENOŚNIKA POCHYLEGO	2	644419.0	
13	FOR MAIZE PICKER	NAPĘD PRZYSTAWKI	1	692149.0	
13	FOR MAIZE PICKER	NAPĘD PRZYSTAWKI	1	692150.0	
13	HEADER DRIVE	NAPĘD HEDERA	1	629142.0	
16	CUTTING TABLE	NAPĘD POŚREDNI HEDERA	1	671013.1	
19	CUTTING MECH	NAPĘD POŚREDNI MOTOWIDŁA	1	713506.2	
21	CLEANING FAN	NAPĘD WIALNI	1	603380.0	
22	SHAKER SHOE DRIVE	ZESPÓŁ NAPĘDU POŚREDNIEGO KOSZA SITOWEGO	1	609762.0	
23	STRAW DISTRIBUTOR	NAPĘD ROZTRZĄSACZA SŁOMY	1	506671.1	
23	GRAIN DISTRIBUTOR	NAPĘD ROZTRZĄSACZA SŁOMY	1	713506.2	
24	STRAW DISTRIBUTOR	NAPĘD ROZTRZĄSACZA SŁOMY	1	640653.1	
25	8. SEPARATOR CYLINDER	NAPĘD 8 BĘBNA SEPARATORA	1	644014.1	
26	3. 5. 6. & 7. SEPARATOR CYLINDER	NAPĘD 3, 5, 6 I 7 BĘBNA SEPARATORA	1	644015.1	
27	4. SEPARATOR CYLINDER	NAPĘD 4 BĘBNA SEPARATORA	1	644016.1	
28	COUNTERSHAFT DRIVE	NAPĘD BĘBNA MŁÓCĄCEGO	1	064168.2	
31	ROTARY AIR SCREEN DRIVE	NAPĘD KOSZA FILTRACYJNEGO POWIETRZA	1	644267.0	
32	ROTARY AIR SCREEN DRIVE	NAPĘD KOSZA FILTRACYJNEGO POWIETRZA	1	633030.2	
32	ROTARY SIEVE COUNTERSHAFT	NAPĘD POŚREDNI KOSZA FILTRACYJNEGO CHŁODNICY	1	233839.2	
34	REEL DRIVE	NAPĘD MOTOWIDŁA	1	670224.1	X
36	STRAW CHOPPER FOR MAIZE	ROZDRABNIACZ SŁOMY	2	061872.0	
36	STRAW CHOPPER FOR GRAIN	ROZDRABNIACZ SŁOMY	1	061701.1	
37	COUNTERSHAFT - STRAW CHOPPER	WAŁEK POŚREDNI I ROZDRABNIACZ SŁOMY	1	061700.0	
38	COUNTERSHAFT - STRAW STRIPPER DRUM	WAŁEK POŚREDNI BĘBNA SEPARATORA SŁOMY	2	603247.1	

ITEM / POZYCJA	APPLICATION	OPIS	QUANTITY OF V-BELTS IN DRIVE / ILOŚĆ PASÓW W ZESPOLE	OE PART NUMBER / NUMER KATALOGOWY	COMMENT / UWAGI
39	COUNTERSHAFT - STRAW CHOPPER	WAŁEK POŚREDNI I ROZDRABNIACZ SŁOMY	1	061700.0	
40	1. & 2. SEPARATOR CYLINDER	NAPĘD 1 I 2 BĘBNA SEPARATORA	1	644014.1	
41	CYLINDER DRIVE	NAPĘD BĘBNA MLÓCĄCEGO	1	628630.0	
41	CYLINDER DRIVE	NAPĘD BĘBNA MLÓCĄCEGO	1	644418.0	
41	CYLINDER DRIVE	NAPĘD BĘBNA MLÓCĄCEGO	1	644418.1	
41	CYLINDER DRIVE	NAPĘD BĘBNA MLÓCĄCEGO	1	644177.0	X
45	FOR MAIZE PICKER	NAPĘD PRZYSTAWKI	1	680334.1	
46	ROTARY AIR SCREEN DRIVE	NAPĘD KOSZA FILTRACYJNEGO POWIETRZA	1	661345.0	
47	ROTARY AIR SCREEN DRIVE	NAPĘD KOSZA FILTRACYJNEGO POWIETRZA	1	661245.0	
48	STRAW DISTRIBUTOR	NAPĘD ROZTRZĄSACZA	1	501925.0	
48	STRAW DISTRIBUTOR	NAPĘD ROZTRZĄSACZA	1	802931.0	
49	STRAW DISTRIBUTOR	NAPĘD ROZTRZĄSACZA	1	687046.0	
49	STRAW DISTRIBUTOR	NAPĘD ROZTRZĄSACZA	1	750288.0	
50	ALTERNATOR DRIVE	NAPĘD ALTERNATORA	1	133528.0	
50	ALTERNATOR DRIVE	NAPĘD ALTERNATORA	1	133640.0	
51	WATER PUMP DRIVE	NAPĘD POMPY WODNEJ	2	133630.0	
52	COOLING DUST CLEANER	NAPĘD KOSZA CHŁODNICY	1	664448.0	X

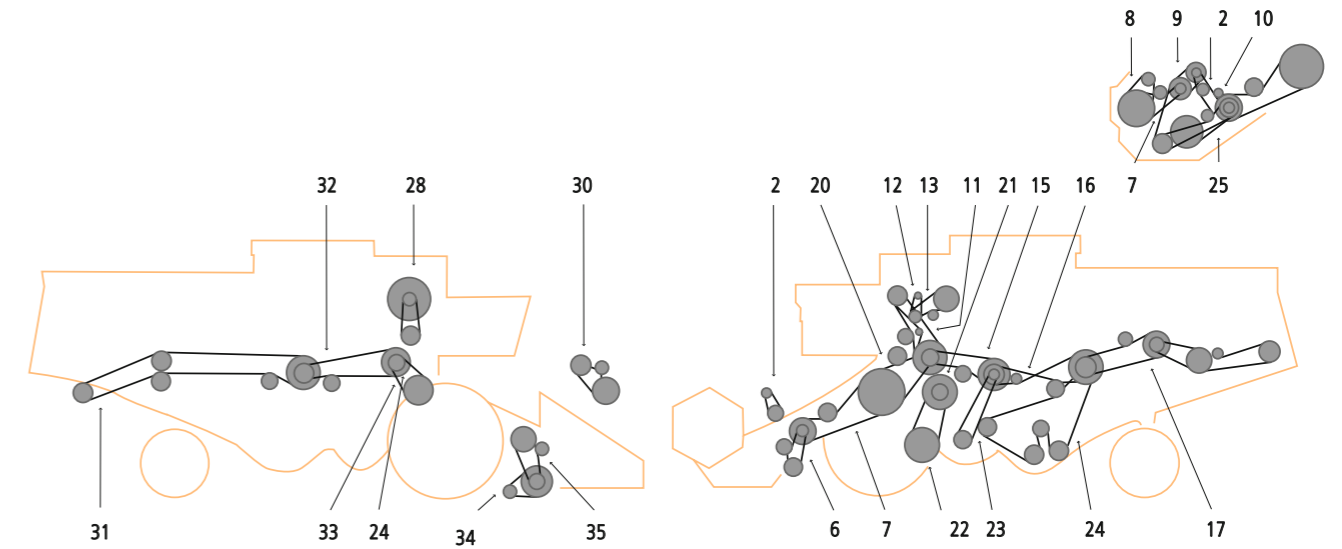
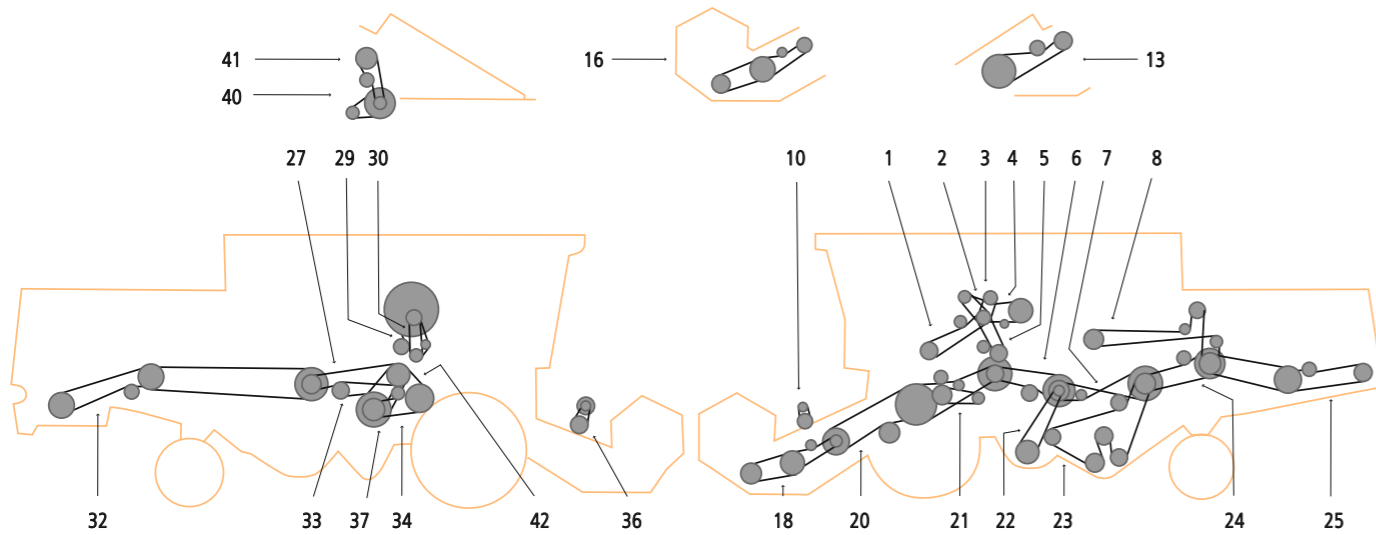
X - not in standard offer / brak w standardowej ofercie



ITEM / POZYCJA	APPLICATION	OPIS	QUANTITY OF V-BELTS IN DRIVE / ILOŚĆ PASÓW W ZESPOLE	OE PART NUMBER / NUMER KATALOGOWY	COMMENT / UWAGI
1	CUTTING TABLE	NAPĘD POŚREDNI HEDERA	1	702509.0	
2	TRACTION DRIVE	NAPĘD JAZDY	1		
2	CYLINDER DRIVE	NAPĘD BĘBNA MLÓCĄCEGO	1	702536.0	
3	REEL DRIVE	NAPĘD MOTOWIDŁA	1	778561.0	X
4	KNIFE DRIVE	NAPĘD KOSY	2	778717.0	
5	SHAKER SHOE DRIVE	NAPĘD WIALNI CZYSZCZĄCEJ	2	610830.0	
6	TRACTION DRIVE	NAPĘD JAZDY	1	702536.0	
7	SHAKER SHOE DRIVE	NAPĘD KOSZA SITOWEGO	1		
7	COUNTERSHAFT	NAPĘD WAŁKA POŚREDNIEGO WIALNI	1	703314.0	
8	UNLOADER AUGER DRIVE	NAPĘD ŚLIMAKA WYSYPU ZBIORNIKA	1	706087.0	
9	STRAW SPREADER DRIVE	NAPĘD ROZTRZĄSACZA SŁOMY	1	706829.0	
10	HYDRAULIC PUMP DRIVE	NAPĘD POMPY HYDRAULICZNEJ	1	713506.0	
11	TRACTION DRIVE	NAPĘD JAZDY	1	720695.0	
12	TURNING DRUM DRIVE	NAPĘD GŁÓWNY	1	720696.0	
12	TURNING DRUM DRIVE	NAPĘD GŁÓWNY	1	720866.0	
13	RADIATOR FAN	NAPĘD WENTYLATORA CHŁODNICY	1	721306.0	
13	RADIATOR FAN	NAPĘD WENTYLATORA CHŁODNICY	1	721307.0	
14	STRAW WALKER DRIVE	NAPĘD WYTRZĄSACZY	1	774099.0	
15	REEL DRIVE	NAPĘD MOTOWIDŁA	1	778561.0	X

X - not in standard offer / brak w standardowej ofercie



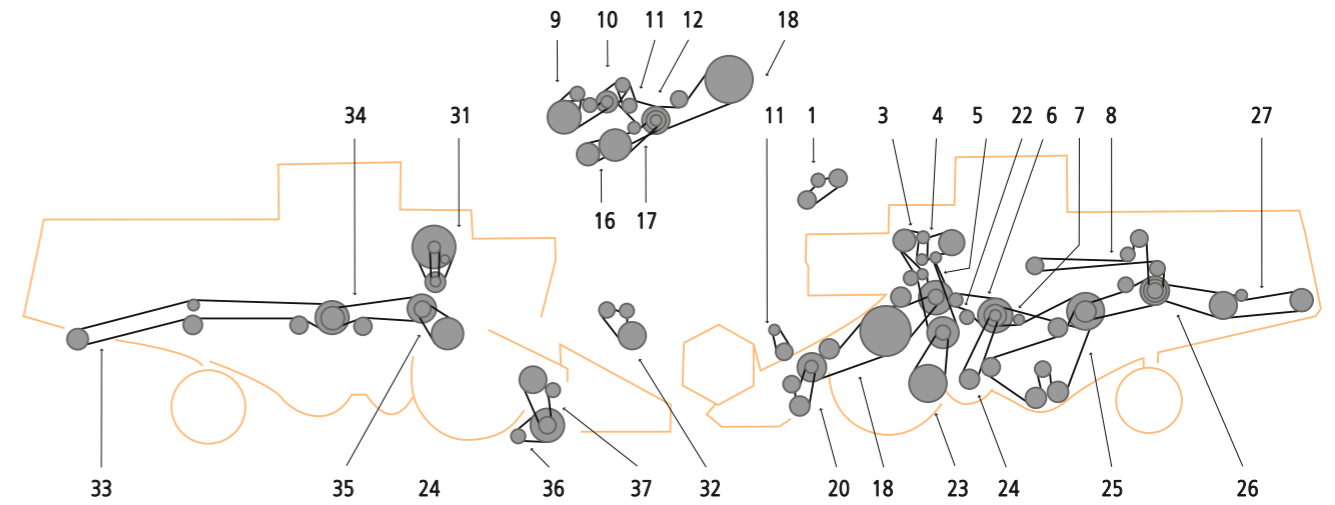
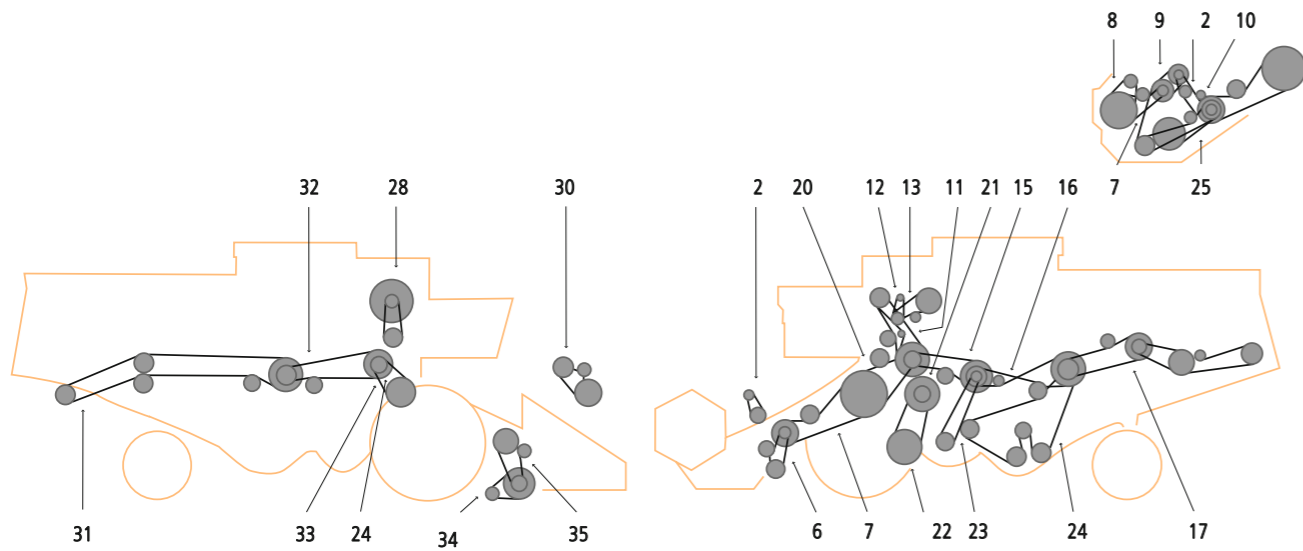


ITEM / POZYCJA	APPLICATION	OPIS	QUANTITY OF V-BELTS IN DRIVE / ILOŚĆ PASÓW W ZESPOLE	OE PART NUMBER / NUMER KATALOGOWY	COMMENT / UWAGI
3	REEL DRIVE	NAPĘD MOTOWIDŁA	1	778561.0	X
5			1	724301.0	
8	REEL DRIVE	NAPĘD MOTOWIDŁA	1	670224.0	X
9			1	724141.0	
10			1	724101.0	
11	GRAIN TANK UNLOADING	NAPĘD ZESPOŁU WYSYPU ZBIORNIKA ZBOŻOWEGO	1	673614.0	
12	HYDRAULIC PUMP DRIVE	NAPĘD POMPY HYDRAULICZNEJ	1	767057.0	
13			1	724180.0	
14	STRAW WALKER DRIVE	NAPĘD WYTRZĄSACZY	1	785176.0	
16			1	724168.0	
17	TRACTION DRIVE	NAPĘD JAZDY	1	629756.0	
18			1	724248.0	
19	CLEANING FAN	NAPĘD WIALNI	1	603380.0	
24	THRESHING MACHINE	NAPĘD BĘBNA MŁÓCĄCEGO	2	061872.0	
25	THRESHING MACHINE	NAPĘD MŁOCARNI	1	603015.0	
25	THRESHING MACHINE	NAPĘD MŁOCARNI	1	603247.0	

X - not in standard offer / brak w standardowej ofercie

ITEM / POZYCJA	APPLICATION	OPIS	QUANTITY OF V-BELTS IN DRIVE / ILOŚĆ PASÓW W ZESPOLE	OE PART NUMBER / NUMER KATALOGOWY	COMMENT / UWAGI
2	REEL DRIVE	NAPĘD MOTOWIDŁA	1	670224.0	X
6	KNIFE DRIVE	NAPĘD KOSY	1	629214.0	
7	CUTTING TABLE	NAPĘD POŚREDNI HEDERA	1	629081.0	
7	CUTTING TABLE	NAPĘD POŚREDNI HEDERA	1	603122.0	
8	REEL DRIVE	NAPĘD MOTOWIDŁA	1	603284.0	
9	CUTTING MECH	NAPĘD POŚREDNI MOTOWIDŁA	1	056961.0	
10	REEL DRIVE	NAPĘD MOTOWIDŁA	1	056961.0	
11	HYDRAULIC PUMP DRIVE	NAPĘD POMPY HYDRAULICZNEJ	1	767057.1	
12	AIR CONDITIONING	NAPĘD KLIMATYZACJI	1	621903.0	
13	DISCHARGE AUGER	NAPĘD ZBIORNIKA WYSYPU ZBOŻA	1	673614.0	
14	TRACTION DRIVE	NAPĘD JAZDY	1	671012.0	
15	THRESHING MACHINE	NAPĘD MŁOCARNI	1	603337.0	
15	THRESHING MACHINE	NAPĘD MŁOCARNI	1	672358.0	
16	SIEVE DRIVE	NAPĘD KOSZA SITOWEGO	1	672359.0	
16	SHAKER SHOE DRIVE	NAPĘD KOSZA SITOWEGO	1	603336.0	
17	STRAW WALKER	NAPĘD ZESPOŁU WYTRZĄSACZY	1	506671.1	
18	CUTTING TABLE	NAPĘD KOSY	1	603283.0	
19	KNIFE DRIVE	NAPĘD KOSY	1	603048.0	
20	THRESHING MACHINE	NAPĘD MŁOCARNI	1	673638.1	
21	TRACTION DRIVE	NAPĘD JAZDY	1	629436.0	
22	TRACTION DRIVE	NAPĘD JAZDY	1	629737.0	
23	BLOWER	NAPĘD WIALNI CZYSZCZĄCEJ	1	671209.0	X
24	SHAKER SHOE DRIVE	NAPĘD KOSZA SITOWEGO	2	603017.3	
25	STRAW DISTRIBUTOR	NAPĘD ROZTRZĄSACZA SŁOMY	1	635494.0	
28	COOLER	NAPĘD ROTORA KOSZA CHŁODNICY	1	783430.1	
30	THRESHING MACHINE	NAPĘD MŁOCARNI	1	603247.0	
31	STRAW CHOPPER DRIVE	NAPĘD ROZDRABNIACZA SŁOMY	1	061361.0	
32	FRONT WHEEL SHAFT	NAPĘD POŚREDNI ROZDRABNIACZA SŁOMY	1	060306.2	
33	CYLINDER DRIVE	NAPĘD BĘBNA MŁÓCĄCEGO	1	603015.1	
34	FOR MAIZE PICKER	NAPĘD PRZYSTAWKI	2	629410.0	
35	FOR MAIZE PICKER	NAPĘD PRZYSTAWKI	1	680334.1	

X - not in standard offer / brak w standardowej ofercie



ITEM / POZYCJA	APPLICATION	OPIS	QUANTITY OF V-BELTS IN DRIVE / ILOŚĆ PASÓW W ZESPOLE	OE PART NUMBER / NUMER KATALOGOWY	COMMENT / UWAGI
1	REEL DRIVE	NAPĘD MOTOWIDŁA	1	603284.0	
2	CUTTING MECH	NAPĘD POŚREDNI MOTOWIDŁA	1	026961.0	X
3	REEL DRIVE	NAPĘD MOTOWIDŁA	1	670224.1	X
4	REEL DRIVE	NAPĘD MOTOWIDŁA	1	056961.0	
5	CUTTING TABLE	NAPĘD KOSY	1	603283.0	
5	CUTTING TABLE	NAPĘD KOSY	1	713506.2	
5	CUTTING TABLE	NAPĘD KOSY	1	713506.2	
5	CUTTING TABLE	NAPĘD KOSY	2	778717.1	
6	CUTTING TABLE	NAPĘD KOSY	1	603048.0	
7	CUTTING TABLE	NAPĘD PRZENOŚNIKA POCHYLEGO	2	603290.0	
7	CUTTING TABLE	NAPĘD PRZENOŚNIKA POCHYLEGO	2	629836.0	
11	THRESHING MACHINE	NAPĘD MŁOCARNI	1	724100.0	
12	SHAKER SHOE DRIVE	NAPĘD ZESPOŁU WIALNI CZYSZCZĄCEJ	1	724141.0	
13	UNLOADER DRIVE	NAPĘD WYSYPU	1	673614.0	
14	HYDRAULIC PUMP DRIVE	NAPĘD POMPY HYDRAULICZNEJ	1	767057.1	
15	TRACTION DRIVE	NAPĘD JAZDY	1	724181.0	
16	STRAW WALKER DRIVE	NAPĘD WYTRZĄSACZY	1	785176.0	
17	AIR INTAKE	NAPĘD RAFFERA	1	802931.0	
18	STRAW DISTRIBUTOR	NAPĘD ROZTRZĄSACZA SŁOMY	1	509435.0	
20	CUTTING TABLE	NAPĘD KOSY	1	629214.1	
21	THRESHING MACHINE	NAPĘD BĘBNA MŁÓCĄCEGO	1	673638.1	
22	TRACTION DRIVE	NAPĘD JAZDY	1	629756.0	
23	FAN INTERMEDIATE DRIVE	NAPĘD POŚREDNI WIALNI	1	603380.1	
24	SHAKER SHOE DRIVE	NAPĘD KOSZA SITOWEGO	1	724247.1	
27	STRAW CHOPPER DRIVE	NAPĘD ROZDRABNIACZA SŁOMY	1	061902.0	
27	STRAW CHOPPER DRIVE	NAPĘD ROZDRABNIACZA SŁOMY	1	062043.0	
28	THRESHING MACHINE	NAPĘD BĘBNA MŁÓCĄCEGO	2	061872.0	
30	CYLINDER DRIVE	NAPĘD BĘBNA MŁÓCĄCEGO	1	603015.1	
30	CYLINDER DRIVE	NAPĘD BĘBNA MŁÓCĄCEGO	1	628630.0	
30	CYLINDER DRIVE	NAPĘD BĘBNA MŁÓCĄCEGO	1	644177.0	X
31	CHOPPER DRIVE	NAPĘD SIECZKARNI	2	629410.0	
32	FOR MAIZE PICKER	NAPĘD PRZYSTAWKI	1	680334.1	
33	AIR CONDITIONING	NAPĘD WENTYLATORA I KOMPRESORA KLIMATYZACJI	1	783268.1	

X - not in standard offer / brak w standardowej ofercie

ITEM / POZYCJA	APPLICATION	OPIS	QUANTITY OF V-BELTS IN DRIVE / ILOŚĆ PASÓW W ZESPOLE	OE PART NUMBER / NUMER KATALOGOWY	COMMENT / UWAGI
1	TRACTION DRIVE	NAPĘD JAZDY	1	673625.0	
2	HYDRAULIC PUMP DRIVE	NAPĘD POMPY HYDRAULICZNEJ	1	767057.1	
3	AIR CONDITIONING	NAPĘD WENTYLATORA I KOMPRESORA KLIMATYZACJI	1	621903.0	
4	DISCHARGE AUGER	NAPĘD ZESPOŁU WYSYPU ZBIORNIKA ZBOŻOWEGO	1	673614.0	
5	TRACTION DRIVE	NAPĘD BĘBNA MŁÓCĄCEGO	1	671012.0	
6	FAN	NAPĘD MŁOCARNI I WIALNI CZYSZCZĄCEJ	1	603337.0	
6	FAN	NAPĘD MŁOCARNI I WIALNI CZYSZCZĄCEJ	1	672358.0	
7	SIEVE DRIVE	NAPĘD WIALNI I KOSZA SITOWEGO	1	672359.0	
7	SIEVE DRIVE	NAPĘD WIALNI I KOSZA SITOWEGO	1	603336.0	
8	STRAW WALKER DRIVE	NAPĘD WYTRZĄSACZY	1	629732.1	
9	REEL DRIVE	NAPĘD MOTOWIDŁA	1	603284.0	
10	HEADER DRIVE	NAPĘD HEDERA	1	056961.0	
11	REEL DRIVE	NAPĘD MOTOWIDŁA	1	670224.0	X
12	REEL DRIVE	NAPĘD MOTOWIDŁA	1	056961.0	
16	CUTTING TABLE	NAPĘD KOSY	1	603283.0	
17	HEADER DRIVE	NAPĘD HEDERA	1	603048.0	
18	CUTTING TABLE	NAPĘD PRZENOŚNIKA POCHYLEGO	1	603122.0	
20	KNIFE DRIVE	NAPĘD KOSY	1	629214.0	
21	THRESHING MACHINE	NAPĘD MŁOCARNI	1	673638.1	
22	TRACTION DRIVE	NAPĘD JAZDY	1	629436.0	
23	TRACTION DRIVE	NAPĘD JAZDY	1	629737.0	
24	TRACTION DRIVE	NAPĘD JAZDY	1	671209.0	X
25	SHAKER SHOE DRIVE	NAPĘD KOSZA SITOWEGO	2	603017.3	
26	STRAW WALKER DRIVE	NAPĘD WYTRZĄSACZY	1	506671.1	
27	STRAW DISTRIBUTOR	NAPĘD ROZTRZĄSACZA SŁOMY	1	623427.1	
31	COOLER	NAPĘD ROTORA KOSZA CHŁODNICY	1	783430.1	
32	THRESHING MACHINE	NAPĘD MŁOCARNI	1	603247.0	
33	STRAW CHOPPER DRIVE	NAPĘD ROZDRABNIACZA SŁOMY	1	061360.0	
34	THRESHING MACHINE	NAPĘD MŁOCARNI	1	060306.2	
35	THRESHING MACHINE	NAPĘD MŁOCARNI	1	603015.1	
36	FOR MAIZE PICKER	NAPĘD PRZYSTAWKI	2	629410.0	
37	FOR MAIZE PICKER	NAPĘD PRZYSTAWKI	1	680334.1	

X - not in standard offer / brak w standardowej ofercie

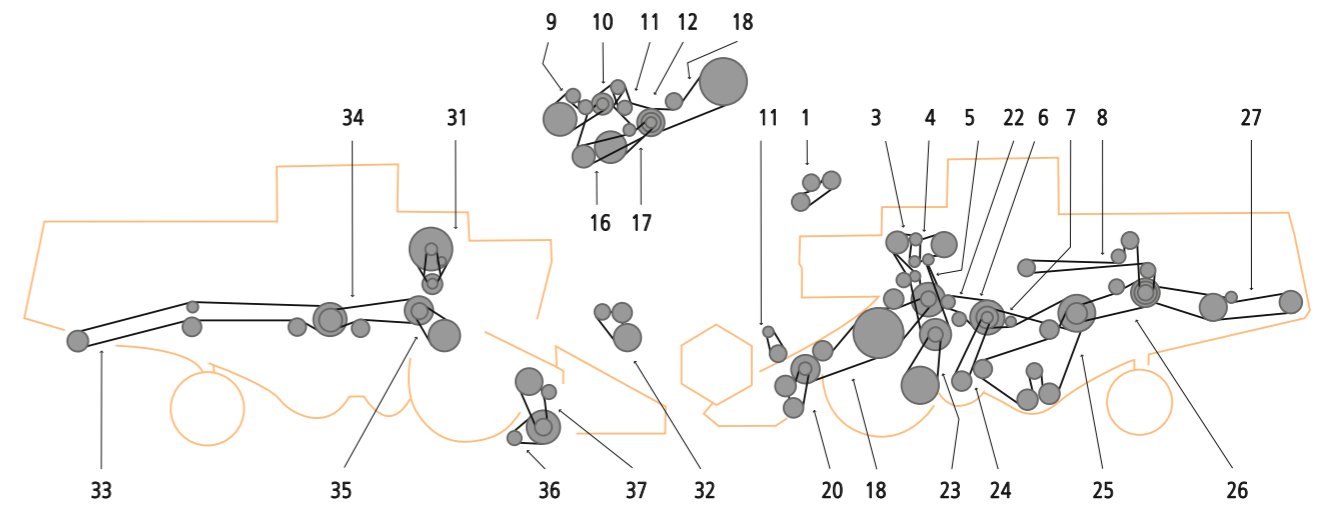
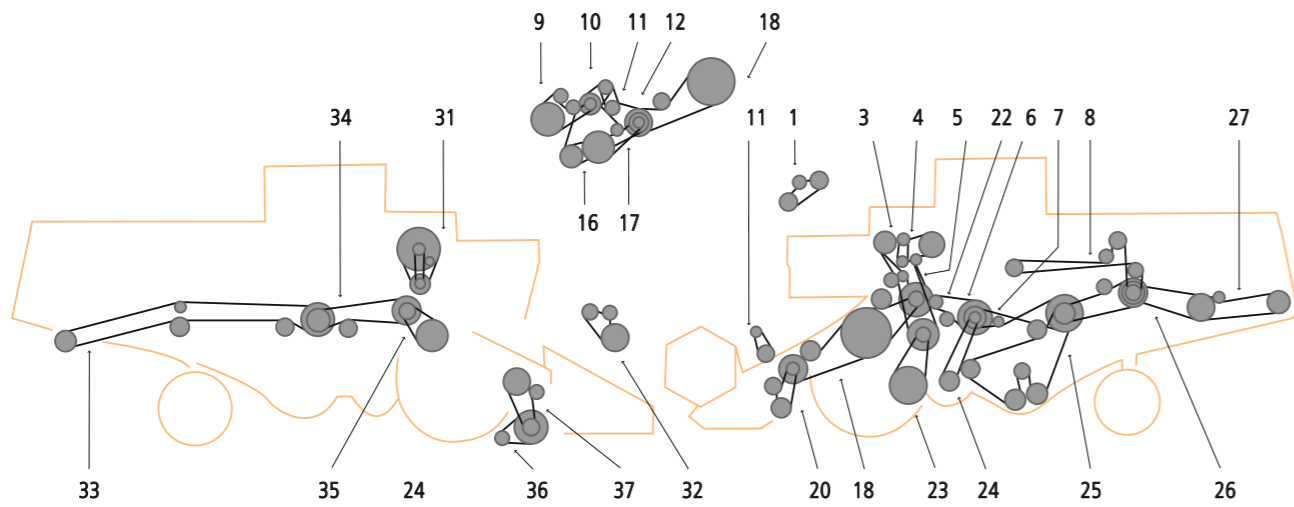


ITEM / POZYCJA	APPLICATION	OPIS	QUANTITY OF V-BELTS IN DRIVE / ILOŚĆ PASÓW W ZESPOLE	OE PART NUMBER / NUMER KATALOGOWY	COMMENT / UWAGI
1	AT HYDRAULIC GROUND DRIVE	HYDRAULICZNY NAPĘD JEZDNY	1	673625.0	
2	HYDRAULIC PUMP	POMPA HYDRAULICZNA	1	767057.1	
3	AT AIR CONDITIONING	KLIMATYZACJA	1	629908.1	
4			1	673614.1	
5			1	671012.1	
6			1	603337.0	
7			1	603336.1	
8			1	629732.2	
11	FOR CUTTERBAR	NAPĘD POŚREDNI HEDERA	1	670224.1	X
13	FOR CORN PICKER	DO KUKURYDZY	1	692149.0	
13	FOR CORN PICKER	DO KUKURYDZY	1	692150.0	
16	FROM 3.6 M CUTTERBAR	OD 3.6 M NAPĘD POŚREDNI HEDERA	1	713506.2	
16	AT 3.0 M CUTTERBAR	DO 3.0 M NAPĘD POŚREDNI HEDERA	2	778717.1	
18	FEEDER DRIVE TO NO. 09101946 FOR CORN	NAPĘD PRZENOŚNIKA POCHYLNEGO DO NUMERU 09101946 DO KUKURYDZY	1	629836.0	
18	FEEDER DRIVE TO NO. 09101946 FOR CORN	NAPĘD PRZENOŚNIKA POCHYLNEGO DO NUMERU 09101946 DO KUKURYDZY	1	629836.0	
18	FROM NO. 09101947 FOR CORN	OD NUMERU 09101947 DO KUKURYDZY	2	603290.0	
18	FROM NO. 09101947 FOR CORN	OD NUMERU 09101947 DO KUKURYDZY	2	603290.0	
19			1	673638.1	
20	AT MECHANICAL GROUND DRIVE	MECHANICZNY NAPĘD JAZDNY	1	603427.0	
21	AT MECHANICAL GROUND DRIVE	MECHANICZNY NAPĘD JAZDNY	1	603317.0	X
22			1	671209.0	X
23	RETURNS AUGER	NAPĘD WIALNI	2	603017.3	
24			1	506671.2	
25	FOR STRAW SPREADER	DO ROZTRZĄSACZA SŁOMY	1	623427.1	
29	ROTARY SCREEN	KOSZ CHŁODNICY	1	603341.0	
31	FOR CORN CHOPPER	DO KUKURYDZY - ROZDRABNIACZ	1	061214.0	
31	FOR GRAIN - CHOPPER	DO ZIARNA - ROZDRABNIACZ	1	061360.0	
32	AT N 650 - 1500 MIN-1	DO N 650 - 1500 MIN-1	1	628630.0	
32	AT N 500 - 1400 MIN-1	DO N 500 - 1400 MIN-1	1	644177.0	X
34	CHOPPER	ROZDRABNIACZ	1	680334.1	

X - not in standard offer / brak w standardowej ofercie

ITEM / POZYCJA	APPLICATION	OPIS	QUANTITY OF V-BELTS IN DRIVE / ILOŚĆ PASÓW W ZESPOLE	OE PART NUMBER / NUMER KATALOGOWY	COMMENT / UWAGI
1			1	673625.0	
2	HYDRAULIC PUMP	POMPA HYDRAULICZNA	1	767057.1	
3			1	629908.1	
4			1	673614.1	
5			1	671012.1	
6			1	603337.0	
7			1	603336.1	
8			1	629732.2	
12	AT 3.6 M - 5.1 M	DO 3.6 M - 5.1 M	1	670224.1	X
14	FOR CORN PICKER	DO KUKURYDZY	1	692149.0	
14	FOR CORN PICKER	DO KUKURYDZY	1	692150.0	
17	AT 6.0 M - 6.6 M	DO 6.0 M - 6.6 M	1	671013.1	
19	AT 3.6 M - 5.1 M	DO 3.6 M - 5.1 M	1	713506.2	
21	FEEDER DRIVE SHAFTS DISTANCE 1177 MM	ZESPÓŁ WAŁÓW ROZDRABNIACZA ODLEGŁOŚĆ 1177MM	1	629836.0	
21	SHAFTS DISTANCE 1306 MM	WAŁY ODLEGŁOŚĆ 1306 MM	2	603290.0	
22			1	673638.1	
23			1	609822.0	
24			1	609823.0	
25			1	671209.0	X
26			2	603017.3	
27			1	506671.2	
32	ROTARY SCREEN	KOSZ CHŁODNICY	1	603341.0	
34	AT 6.0 M - 6.6 M	DO 6.0 M - 6.6 M	1	670224.1	X
36	FOR CORN - CHOPPER	DO KUKURYDZY - ROZDRABNIACZ	1	061213.0	
36	FOR GRAIN - CHOPPER	DO ZIARNA - ROZDRABNIACZ	1	061361.0	
37	AT N 650 - 1500 MIN-1	DO N 650 - 1500 MIN-1	1	628630.0	
37	AT N 500 - 1400 MIN-1	DO N 500 - 1400 MIN-1	1	644177.0	X
37	AT VAR. 7715	DO WAR. 7715	1	609823.0	
41	CHOPPER	ROZDRABNIACZ	1	680334.1	
42	AT VAR. 7715	DO WAR. 7715	1	661220.1	

X - not in standard offer / brak w standardowej ofercie

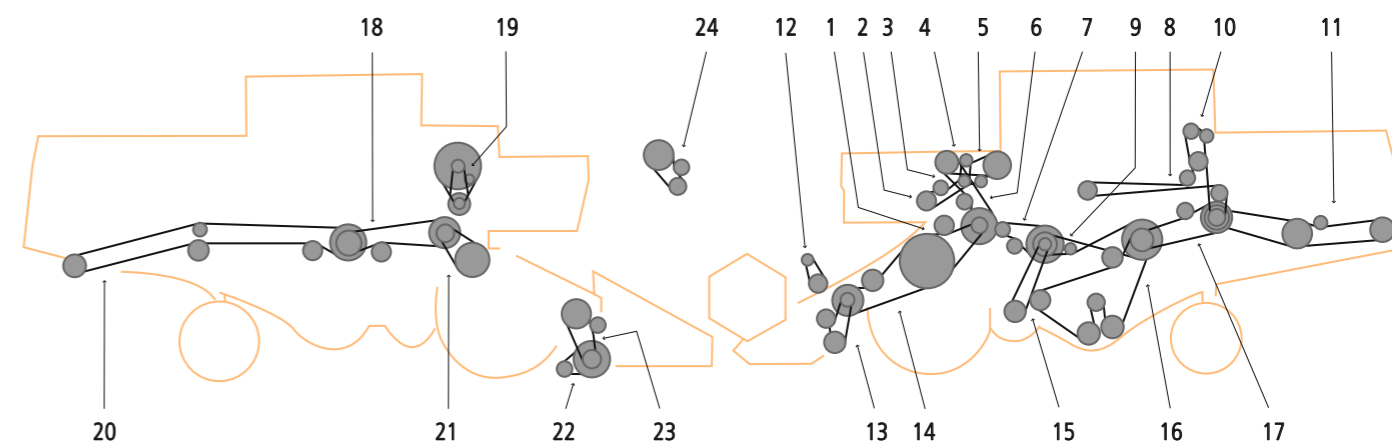
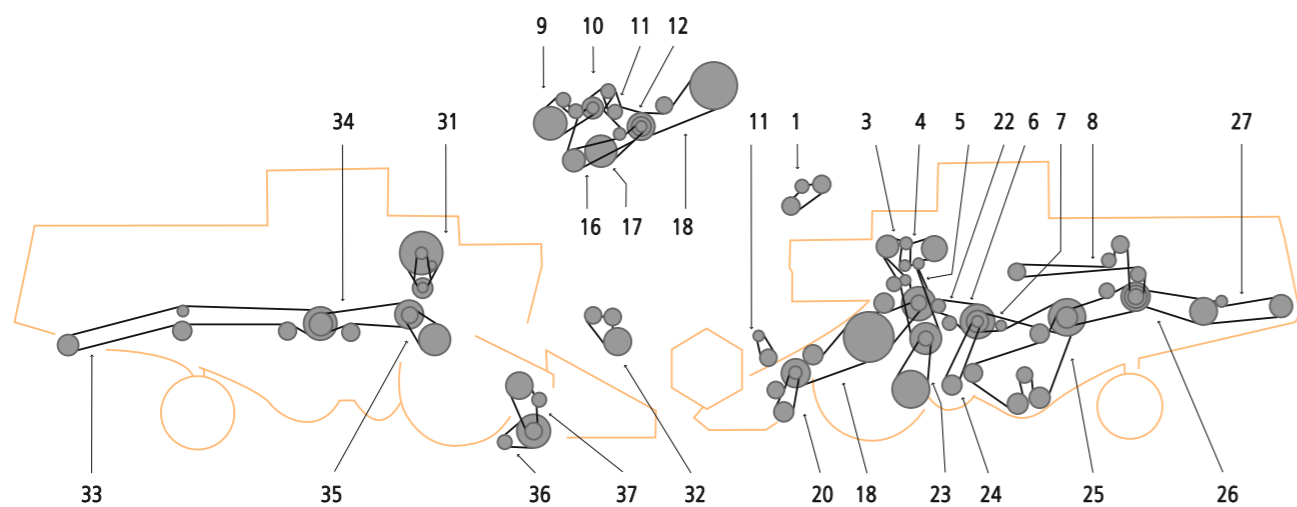


ITEM / POZYCJA	APPLICATION	OPIS	QUANTITY OF V-BELTS IN DRIVE / ILOŚĆ PASÓW W ZESPOLE	OE PART NUMBER / NUMER KATALOGOWY	COMMENT / UWAGI
1	REEL DRIVE	NAPĘD MOTOWIDŁA	1	670224.0	X
2	CUTTING TABLE CLUTCH	PAS POŚREDNI NAPĘDU HEDERA	1	560562.0	
3	MAIN DRIVE	NAPĘD MŁOCARNI	1	671012.0	
4	HYDRAULIC PUMP TRACTION DRIVE	NAPĘD POMPY HYDRAULICZNEJ NAPĘDU JAZDY	1	673625.0	
5	HYDRAULIC PUMP DRIVE	NAPĘD POMPY HYDRAULICZNEJ	1	532011.0	
5	HYDRAULIC PUMP DRIVE	NAPĘD POMPY HYDRAULICZNEJ	1	633030.0	
5	HYDRAULIC PUMP DRIVE	NAPĘD POMPY HYDRAULICZNEJ	1	656028.0	
5	HYDRAULIC PUMP DRIVE	NAPĘD POMPY HYDRAULICZNEJ	1	767057.0	
6	GRAIN TANK UNLOADING	NAPĘD ZESPOŁU WYSYPU ZBIORNIKA ZBOŻOWEGO	1	673614.0	
7	CLEANING FAN DRIVE	NAPĘD WIALNI CZYSZCZĄCEJ	1	672358.0	
8	STRAW WALKER DRIVE	NAPĘD WYTRZĄSACZY	1	629036.0	
8	STRAW WALKER DRIVE	NAPĘD WYTRZĄSACZY	1	673601.0	
9	KNIFE DRIVE	NAPĘD KOSY	1	629214.0	
9	KNIFE DRIVE	NAPĘD KOSY	1	769202.0	
10	HEADER DRIVE	NAPĘD HEDERA	1	673639.0	
10	HEADER DRIVE	NAPĘD HEDERA	2	778717.0	
11	TRACTION DRIVE	NAPĘD JAZDY	1	720866.0	
12	TRACTION DRIVE	NAPĘD JAZDY	1	671083.0	
13	CLEANING FAN DRIVE	NAPĘD WIALNI CZYSZCZĄCEJ	1	671209.0	X
14	SHAKER SHOE - RETURN AUGER	NAPĘD WYTRZĄSACZY PRZENOŚNIKA KŁOSOWEGO	1	672359.0	
15	GRAIN AUGER	NAPĘD WYTRZĄSACZY PRZENOŚNIKA ZIARNOWEGO	1	673690.0	
16	FEEDER AUGER	NAPĘD PRZENOŚNIKA ZBOŻOWEGO	1	501925.0	
17	COUNTERSHAFT DRIVE	ZESPÓŁ NAPĘDU POŚREDNIEGO MŁOCARNI	1	060306.0	
18	AIR INTAKE	WENTYLATOR	1	802931.0	
19	STRAW CHOPPER DRIVE	NAPĘD ROZDRABNIACZA SŁOMY	1	060949.0	
20	CYLINDER DRIVE	NAPĘD BĘBNA MŁOCĄCEGO	1	629035.0	
20	CYLINDER DRIVE	NAPĘD BĘBNA MŁOCĄCEGO	1	671015.0	X
21	THRESHING MACHINE	NAPĘD MŁOCARNI	1	629510.0	
21	THRESHING MACHINE	NAPĘD MŁOCARNI	1	671012.0	

X - not in standard offer / brak w standardowej ofercie

ITEM / POZYCJA	APPLICATION	OPIS	QUANTITY OF V-BELTS IN DRIVE / ILOŚĆ PASÓW W ZESPOLE	OE PART NUMBER / NUMER KATALOGOWY	COMMENT / UWAGI
1	HYDRAULIC PUMP DRIVE	NAPĘD POMPY HYDRAULICZNEJ	1	767057.0	
2	AIR CONDITIONING COMPRESSOR	NAPĘD KOMPRESORA KLIMATYZACJI	1	621903.0	
3	DISCHARGE DRIVE	NAPĘD WYSYPU	1	673614.0	
4	TRACTION DRIVE	NAPĘD MŁOCARNI	1	671012.0	
5	FRONT WHEEL SHAFT	NAPĘD ZESPOŁU MŁOCARNI	1	603337.0	
6	SHAKER SHOE DRIVE	NAPĘD ZESPOŁU WIALNI CZYSZCZĄCEJ	1	603336.0	
7	STRAW WALKER DRIVE	NAPĘD WYTRZĄSACZY	1	629732.0	
10	REEL DRIVE	NAPĘD MOTOWIDŁA	1	670224.0	X
13	KNIFE DRIVE	NAPĘD KOSY	1	629214.0	
14	CUTTING TABLE	NAPĘD POŚREDNI HEDERA	1	603122.0	
15	CUTTING TABLE	NAPĘD POŚREDNI HEDERA	1	673638.0	
16	TRACTION DRIVE	NAPĘD JAZDY	1	603427.0	
17	TRACTION DRIVE	NAPĘD JAZDY	1	603317.0	X
18	CLEANING FAN DRIVE	NAPĘD WIALNI CZYSZCZĄCEJ	1	671209.0	X
19	SHAKER SHOE DRIVE	NAPĘD ZESPOŁU KOSZA SITOWEGO	2	603017.0	
20	STRAW WALKER DRIVE	NAPĘD WYTRZĄSACZY	1	506671.0	
21	STRAW DISTRIBUTOR	NAPĘD ROZTRZĄSACZA SŁOMY	1	635494.0	
24	COOLER	NAPĘD ROTORA KOSZA CHŁODNICY	1	603341.0	
26	STRAW CHOPPER DRIVE	NAPĘD ROZDRABNIACZA SŁOMY	1	061361.0	
27	FRONT WHEEL SHAFT	NAPĘD ZESPOŁU MŁOCARNI	1	060306.0	
28	THRESHING MACHINE	NAPĘD MŁOCARNI	1	603015.0	
31	THRESHING MACHINE	NAPĘD MŁOCARNI	1	603247.0	

X - not in standard offer / brak w standardowej ofercie

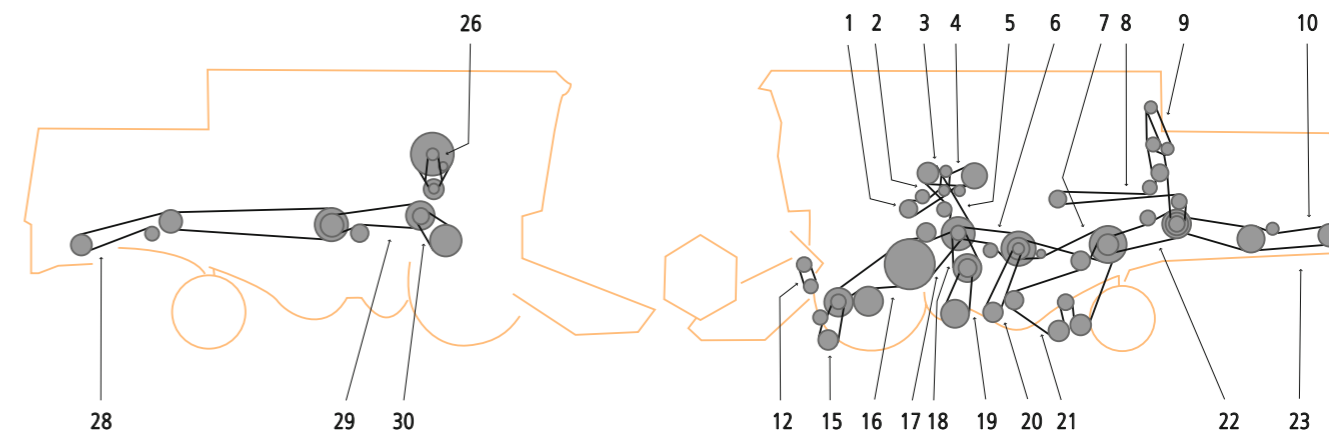
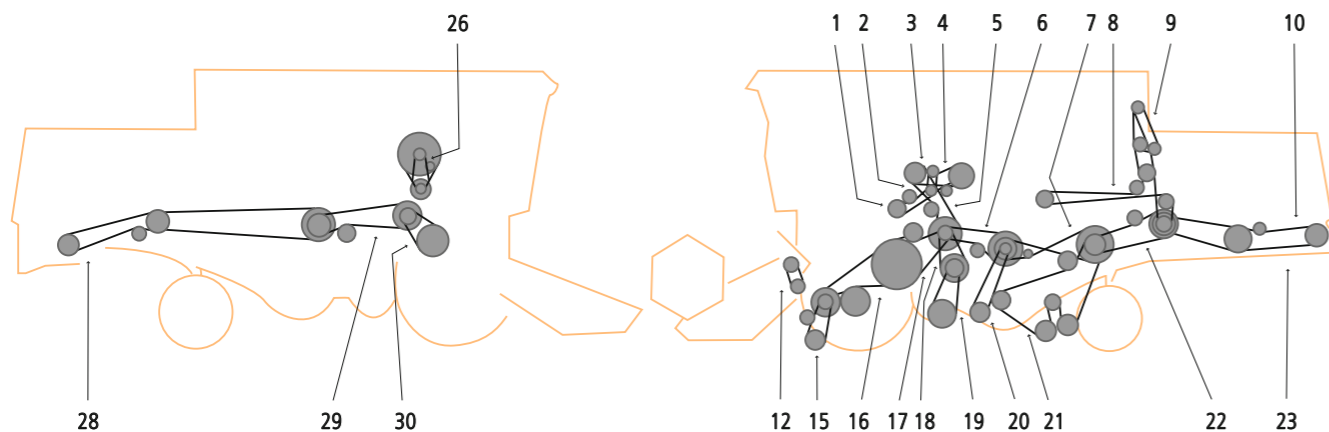


ITEM / POZYCJA	APPLICATION	OPIS	QUANTITY OF V-BELTS IN DRIVE / ILOŚĆ PASÓW W ZESPOLE	OE PART NUMBER / NUMER KATALOGOWY	COMMENT / UWAGI
1			1	544048.0	
2			1	767057.1	
3	AIR CONDITIONING	NAPĘD WENTYLATORA	1	629908.1	
4			1	629769.1	
5			1	671012.1	
6	FRONT WHEEL SHAFT	NAPĘD ZESPOŁU MŁOCARNI	1	603337.0	
7	SHAKER SHOE DRIVE	NAPĘD ZESPOŁU WIALNI CZYSZCZĄCEJ	1	603336.1	
8	STRAW WALKER DRIVE	NAPĘD WYTRZĄSACZY	1	644447.0	
9	STRAW DISTRIBUTOR	NAPĘD ROZTRZĄSACZA SŁOMY	1	635494.0	
10	SHAFT	NAPĘD POŚREDNI HEDERA	2	661301.0	
11	STRAW CHOPPER DRIVE	NAPĘD ROZDRABNIACZA SŁOMY	1	061213.0	
11	STRAW CHOPPER DRIVE	NAPĘD ROZDRABNIACZA SŁOMY	1	061361.0	
12	CLEANING FAN DRIVE	NAPĘD WIALNI CZYSZCZĄCEJ	1	671209.0	X
13	KNIFE DRIVE	NAPĘD KOSY	2	603017.3	
15	COUNTERSHAFT DRIVE	NAPĘD WAŁKA POŚREDNIEGO MŁOCARNI	1	060306.3	
17	STRAW WALKER DRIVE	NAPĘD WYTRZĄSACZY	1	506671.2	
18	COOLER	NAPĘD ROTORA KOSZA CHŁODNICY	1	661345.0	
19	COUNTERSHAFT	NAPĘD POŚREDNI KOSZA CHŁODNICY	1	657793.0	
20			1	628630.0	
21	AIR EXHAUST	NAPĘD WENTYLATORA SSAĆEGO	1	644448.0	
22	CYLINDER DRIVE	NAPĘD BĘBNA MŁOCĄCEGO	1	609823.0	
23	THRESHING MACHINE	NAPĘD MŁOCARNI	1	661220.1	

X - not in standard offer / brak w standardowej ofercie

ITEM / POZYCJA	APPLICATION	OPIS	QUANTITY OF V-BELTS IN DRIVE / ILOŚĆ PASÓW W ZESPOLE	OE PART NUMBER / NUMER KATALOGOWY	COMMENT / UWAGI
2	HYDRAULIC PUMP DRIVE	NAPĘD POMPY HYDRAULICZNEJ	1	767057.1	
3	TRACTION DRIVE	NAPĘD JAZDY	1	673625.0	
4	AIR CONDITIONING COMPRESSOR	NAPĘD KOMPRESORA KLIMATYZACJI	1	621903.0	
5	UNLOADER DRIVE	NAPĘD WYSYPU	1	673614.0	
6	THRESHING MACHINE	NAPĘD MŁOCARNI	1	671012.0	
7	THRESHING MACHINE	NAPĘD MŁOCARNI	1	603337.0	
8	STRAW WALKER DRIVE	NAPĘD WYTRZĄSACZY	1	629732.1	
9	SHAKER SHOE DRIVE	NAPĘD ZESPOŁU WIALNI CZYSZCZĄCEJ	1	603336.0	
10	STRAW WALKER DRIVE	NAPĘD WYTRZĄSACZY	1	802931.0	
11	STRAW DISTRIBUTOR	NAPĘD ROZTRZĄSACZA SŁOMY	1	623427.1	
12	REEL DRIVE	NAPĘD MOTOWIDŁA	1	670224.0	X
13	KNIFE DRIVE	NAPĘD KOSY	1	629214.0	
14	CUTTING TABLE	NAPĘD POŚREDNI HEDERA	1	603122.0	
15	SHAKER SHOE DRIVE	NAPĘD ZESPOŁU KOSZA SITOWEGO	1	671209.0	X
16	SHAKER SHOE DRIVE	NAPĘD ZESPOŁU KOSZA SITOWEGO	2	603017.3	
17	STRAW WALKER	NAPĘD ZESPOŁU WYTRZĄSACZY	1	506671.1	
18	FRONT WHEEL SHAFT	NAPĘD ZESPOŁU MŁOCARNI	1	061306.2	
19	COOLER	NAPĘD ROTORA KOSZA CHŁODNICY	1	603341.0	
20	STRAW CHOPPER DRIVE	NAPĘD ROZDRABNIACZA SŁOMY	1	061360.0	
21	THRESHING MACHINE	NAPĘD MŁOCARNI	1	603015.1	
22	FOR MAIZE PICKER	NAPĘD PRZYSTAWKI	2	629410.0	
23	FOR MAIZE PICKER	NAPĘD PRZYSTAWKI	1	680334.1	
24	THRESHING MACHINE	NAPĘD MŁOCARNI	1	603247.0	

X - not in standard offer / brak w standardowej ofercie

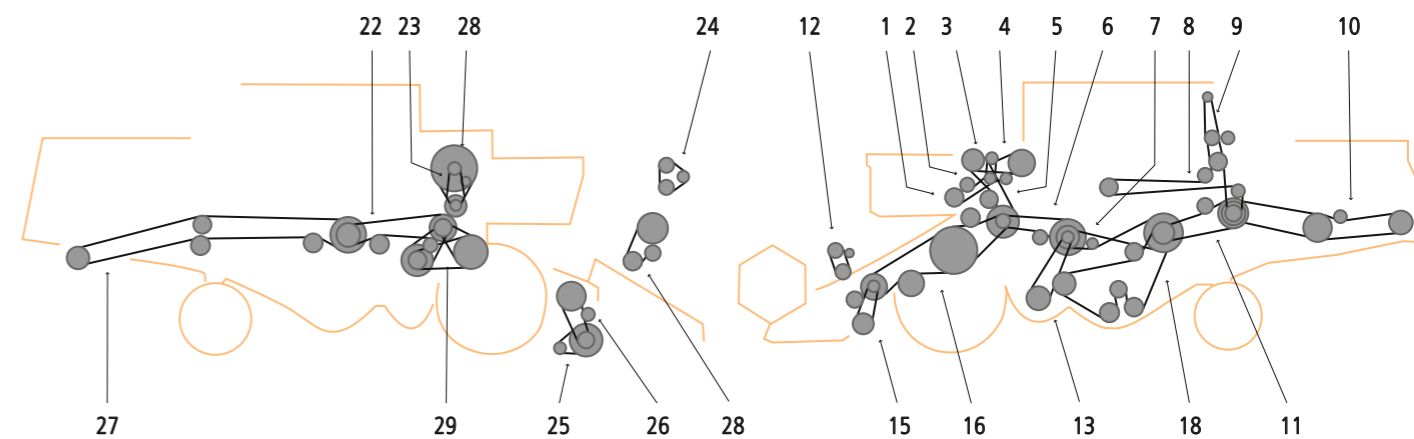
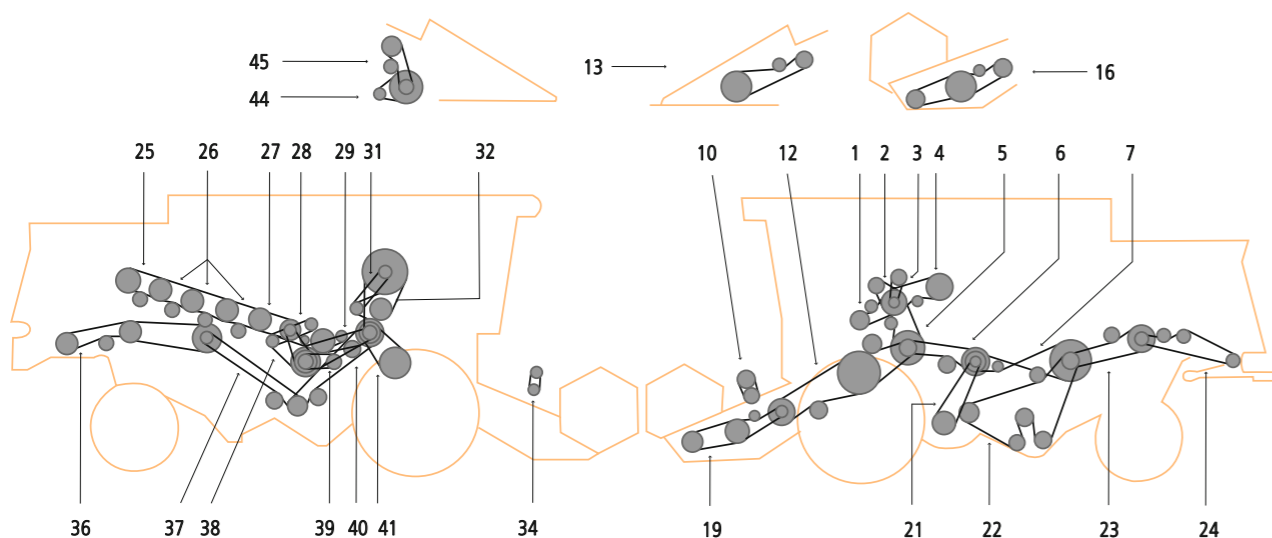


ITEM / POZYCJA	APPLICATION	OPIS	QUANTITY OF V-BELTS IN DRIVE / ILOŚĆ PASÓW W ZESPOLE	OE PART NUMBER / NUMER KATALOGOWY	COMMENT / UWAGI
1	TRAVEL DRIVE	NAPĘD JAZDY	1	629001.0	
1	TRAVEL DRIVE	NAPĘD JAZDY	1	673625.0	
2	HYDRAULIC PUMP DRIVE	NAPĘD POMPY HYDRAULICZNEJ	1	603378.0	
2	HYDRAULIC PUMP DRIVE	NAPĘD POMPY HYDRAULICZNEJ	1	767057.0	
3	AIR CONDITIONING COMPRESSOR	NAPĘD KOMPRESORA KLIMATYZACJI	1	629908.0	
4	UNLOADER DRIVE	NAPĘD WYSYPU	1	673614.0	
5	TRAVEL DRIVE	NAPĘD JAZDY	1	671012.0	
5	TRAVEL DRIVE	NAPĘD JAZDY	1	629000.0	
6	FRONT WHEEL SHAFT	NAPĘD ZESPOŁU MŁOCARNI	1	603337.0	
7	SHAKER SHOE DRIVE	NAPĘD ZESPOŁU WIALNI CZYSZCZĄCEJ	1	603336.0	
8	STRAW WALKER DRIVE	NAPĘD WYTRZĄSACZY	1	629732.0	
9	STRAW WALKER DRIVE	NAPĘD WYTRZĄSACZY	1	802931.0	
12	REEL DRIVE	NAPĘD MOTOWIDŁA	1	670224.0	X
15	KNIFE DRIVE	NAPĘD KOSY	1	713506.0	
16	SHAFT	NAPĘD POŚREDNI HEDERA	2	629836.0	
16	SHAFT	NAPĘD POŚREDNI HEDERA	2	061872.0	
17	CUTTING TABLE	NAPĘD POŚREDNI HEDERA	1	673638.0	
18	TRACTION DRIVE	NAPĘD JAZDY	1	609822.0	
19	CYLINDER DRIVE	NAPĘD BĘBNA MŁOCĄCEGO	1	609823.0	
20	SHAKER SHOE DRIVE	NAPĘD ZESPOŁU KOSZA SITOWEGO	1	671209.0	X
21	SHAKER SHOE DRIVE	NAPĘD ZESPOŁU KOSZA SITOWEGO	2	603017.0	
22	STRAW WALKER DRIVE	NAPĘD WYTRZĄSACZY	1	506671.0	
23	STRAW DISTRIBUTOR	NAPĘD ROZTRZĄSACZA SŁOMY	1	623427.0	
26	COOLER	NAPĘD ROTORA KOSZA CHŁODNICY	1	603341.0	
28	STRAW CHOPPER DRIVE	NAPĘD ROZDRABNIACZA SŁOMY	1	061214.0	
28	STRAW CHOPPER DRIVE	NAPĘD ROZDRABNIACZA SŁOMY	1	061360.0	
29	FOR STRAW CHOPPER	NAPĘD ZESPOŁU MŁOCARNI	1	060306.0	
30	CYLINDER DRIVE	NAPĘD BĘBNA MŁOCĄCEGO	1	628630.0	
30	CYLINDER DRIVE	NAPĘD BĘBNA MŁOCĄCEGO	1	644177.0	X

X - not in standard offer / brak w standardowej ofercie

ITEM / POZYCJA	APPLICATION	OPIS	QUANTITY OF V-BELTS IN DRIVE / ILOŚĆ PASÓW W ZESPOLE	OE PART NUMBER / NUMER KATALOGOWY	COMMENT / UWAGI
1			1	544048.0	
2			1	767057.1	
3	AIR CONDITIONING	NAPĘD WENTYLATORA	1	629908.1	
4			1	629769.1	
5	THRESHING MACHINE	NAPĘD MŁOCARNI	1	661458.0	
6	FRONT WHEEL SHAFT	NAPĘD ZESPOŁU MŁOCARNI	1	603337.0	
7	SHAKER SHOE DRIVE	NAPĘD ZESPOŁU WIALNI CZYSZCZĄCEJ	1	603336.1	
9	STRAW WALKER DRIVE	NAPĘD WYTRZĄSACZY	1	802931.0	
10	STRAW DISTRIBUTOR	NAPĘD ROZTRZĄSACZA SŁOMY	1	623427.1	
11	STRAW DISTRIBUTOR	NAPĘD ROZTRZĄSACZA SŁOMY	1	755070.1	
12	STRAW DISTRIBUTOR	NAPĘD ROZTRZĄSACZA SŁOMY	1	066034.0	
12	STRAW DISTRIBUTOR	NAPĘD ROZTRZĄSACZA SŁOMY	1	785341.0	
14	STRAW CHOPPER DRIVE	NAPĘD ROZDRABNIACZA SŁOMY	1	061214.0	
15	SHAKER SHOE DRIVE	NAPĘD ZESPOŁU KOSZA SITOWEGO	1	671209.0	X
16	KNIFE DRIVE	NAPĘD KOSY	2	603017.3	
18	COUNTERSHAFT	NAPĘD WĄŁKA POŚREDNIEGO MŁOCARNI	1	060306.3	
20	STRAW WALKER DRIVE	NAPĘD WYTRZĄSACZY	1	506671.2	
21	COOLER	NAPĘD ROTORA KOSZA CHŁODNICY	1	661345.0	
22	COUNTERSHAFT	NAPĘD POŚREDNI KOSZA CHŁODNICY	1	657793.0	
23	CYLINDER DRIVE	NAPĘD BĘBNA MŁOCĄCEGO	1	644418.0	
24	AIR EXHAUST	NAPĘD WENTYLATORA SSĄCEGO	1	644448.0	
25	CYLINDER DRIVE	NAPĘD BĘBNA MŁOCĄCEGO	1	609823.0	
26	THRESHING MACHINE	NAPĘD MŁOCARNI	1	661220.1	

X - not in standard offer / brak w standardowej ofercie



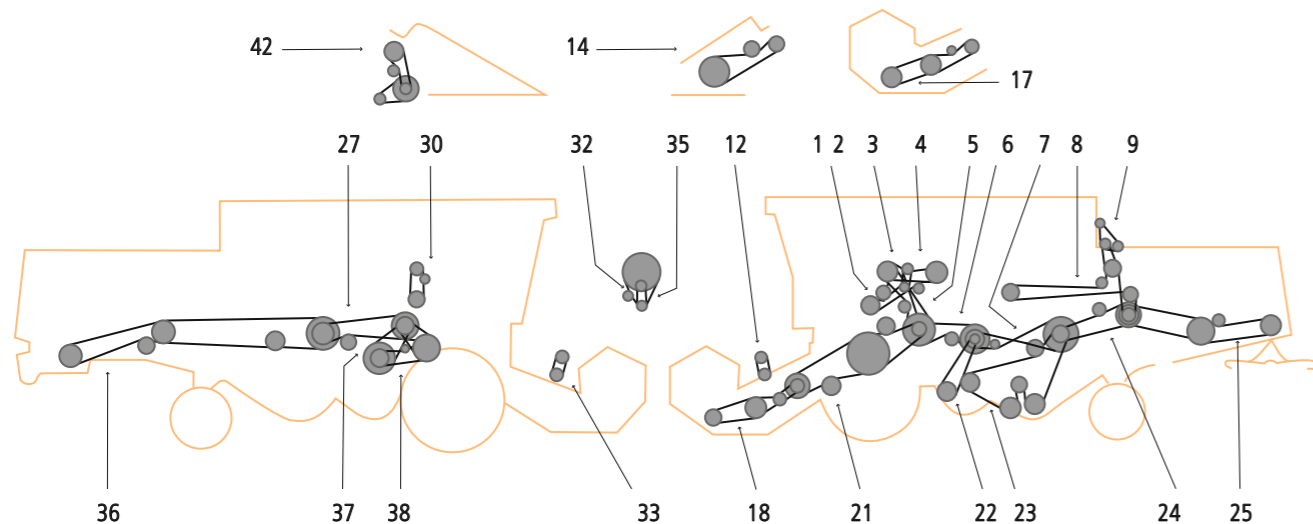
ITEM / POZYCJA	APPLICATION	OPIS	QUANTITY OF V-BELTS IN DRIVE / ILOŚĆ PASÓW W ZESPOLE	OE PART NUMBER / NUMER KATALOGOWY	COMMENT / UWAGI
1	REEL DRIVE	NAPĘD MOTOWIDŁA	1	670224.0	X
2	HEADER DRIVE	NAPĘD HEDERA	2	672353.0	
3	THRESHING MACHINE	NAPĘD BĘBNA MŁÓCĄCEGO	1	629000.0	
4	HYDRAULIC PUMP TRACTION DRIVE	NAPĘD POMPY HYDRAULICZNEJ NAPĘDU JAZDY	1	629001.0	
5	HYDRAULIC PUMP DRIVE	NAPĘD POMPY HYDRAULICZNEJ	1	629002.0	
6	GRAIN TANK DRIVE	NAPĘD ZBIORNIKA ZBOŻOWEGO	1	673614.0	
7	SHAKER SHOE FANNING MILL	NAPĘD WIALNI, WYTRZĄSACZY	1	672358.0	
8	STRAW WALKER DRIVE	NAPĘD WYTRZĄSACZY	1	629036.0	
9	KNIFE DRIVE	NAPĘD KOSY	1	629214.0	
9	KNIFE DRIVE	NAPĘD KOSY	1	769202.0	
10	CLEANING FAN	NAPĘD WIALNI	1	671209.0	X
11	SHAKER SHOE - RETURN AUGER	NAPĘD WIALNI CZYSZCZĄCEJ	1	672359.0	
12	GRAIN AUGER	NAPĘD KOSZA SITOWEGO	1	629081.0	
13	ELEVATOR DRIVE	NAPĘD PRZENOŚNIKA	1	629732.0	
14	FEEDER ELEVATOR	NAPĘD ELEWATORA ZIARNOWEGO	1	501925.0	
15	COUNTERSHAFT DRIVE	NAPĘD WAŁKA POŚREDNIEGO ROZDRABNIACZA SŁOMY	1	060306.0	
16	AIR INTAKE	WENTYLATOR	1	802931.0	
17	STRAW CHOPPER DRIVE	NAPĘD ROZDRABNIACZA SŁOMY	1	061253.0	
18	CYLINDER DRIVE	NAPĘD BĘBNA MŁÓCĄCEGO	1	629035.0	
19	THRESHING MACHINE	NAPĘD POŚREDNI MŁOCARNI	1	629510.0	

X - not in standard offer / brak w standardowej ofercie

ITEM / POZYCJA	APPLICATION	OPIS	QUANTITY OF V-BELTS IN DRIVE / ILOŚĆ PASÓW W ZESPOLE	OE PART NUMBER / NUMER KATALOGOWY	COMMENT / UWAGI
1	HYDRAULIC PUMP DRIVE	NAPĘD POMPY HYDRAULICZNEJ	1	629001.0	
1	MAIN	NAPĘD GŁÓWNY JAZDY	1	629279.0	
2	HYDRAULIC PUMP DRIVE	NAPĘD POMPY HYDRAULICZNEJ	1	603378.0	
2	HYDRAULIC PUMP DRIVE	NAPĘD POMPY HYDRAULICZNEJ	1	689175.0	
3	AIR CONDITIONING COMPRESSOR	NAPĘD KOMPRESORA KLIMATYZACJI	1	621903.0	
4	GRAIN TANK DRIVE	NAPĘD ZBIORNIKA ZIARNOWEGO	1	673614.0	
4	GRAIN TANK DRIVE	NAPĘD ZBIORNIKA ZIARNOWEGO	1	672351.0	
5	MAIN/DRUM	GŁÓWNY NAPĘD MŁOCARNI	1	629000.0	
6	THRESHING MACHINE	NAPĘD POŚREDNI MŁOCARNI	1	603337.0	
7	RETURNS AUGER	NAPĘD ŚLIMAKA KŁOSOWEGO WIALNI	1	603336.0	
8	ELEVATOR DRIVE	NAPĘD PRZENOŚNIKA	1	629732.1	
9	STRAW WALKER DRIVE	NAPĘD WYTRZĄSACZY	1	640653.0	
10	STRAW DISTRIBUTOR	NAPĘD ROZTRZĄSACZA SŁOMY	1	623427.1	
11	STRAW WALKER DRIVE	NAPĘD WYTRZĄSACZY	1	506671.1	
12	REEL DRIVE	NAPĘD MOTOWIDŁA	1	670224.0	X
13	SHAKER SHOE FANNING MILL	NAPĘD WIALNI, WYTRZĄSACZY	1	603380.0	
15	KNIFE DRIVE	NAPĘD KOSY	1	629214.0	
16	HEADER DRIVE	NAPĘD HEDERA	2	629441.0	
18	SIEVE PAN	NAPĘD KOSZA SITOWEGO I PRZENOŚNIKÓW ŚLIMAKOWYCH	1	609762.0	
18	SIEVE PAN	NAPĘD KOSZA SITOWEGO I PRZENOŚNIKÓW ŚLIMAKOWYCH	1	603033.0	
22	COUNTERSHAFT	NAPĘD WAŁKA POŚREDNIEGO MŁOCARNI	1	060306.2	
23	COOLER	NAPĘD ROTORA KOSZA CHŁODNICY	1	603341.0	
24	ALTERNATOR DRIVE	NAPĘD ALTERNATORA	1	133528.0	
24	ALTERNATOR DRIVE	NAPĘD ALTERNATORA	2	133549.0	
24	ALTERNATOR DRIVE	NAPĘD ALTERNATORA	1	685693.0	
25	CHOPPER DRIVE	NAPĘD SIECZKARNI	2	629410.0	
26	FOR MAIZE PICKER	NAPĘD PRZYSTAWKI	1	680334.1	
27	STRAW CHOPPER DRIVE	NAPĘD ROZDRABNIACZA SŁOMY	1	061360.0	
28	DRUM	NAPĘD MŁOCARNI	1	629366.1	
28	DRUM	NAPĘD MŁOCARNI	1	629035.0	
29	CYLINDER DRIVE	NAPĘD BĘBNA MŁÓCĄCEGO	1	603354.0	

X - not in standard offer / brak w standardowej ofercie



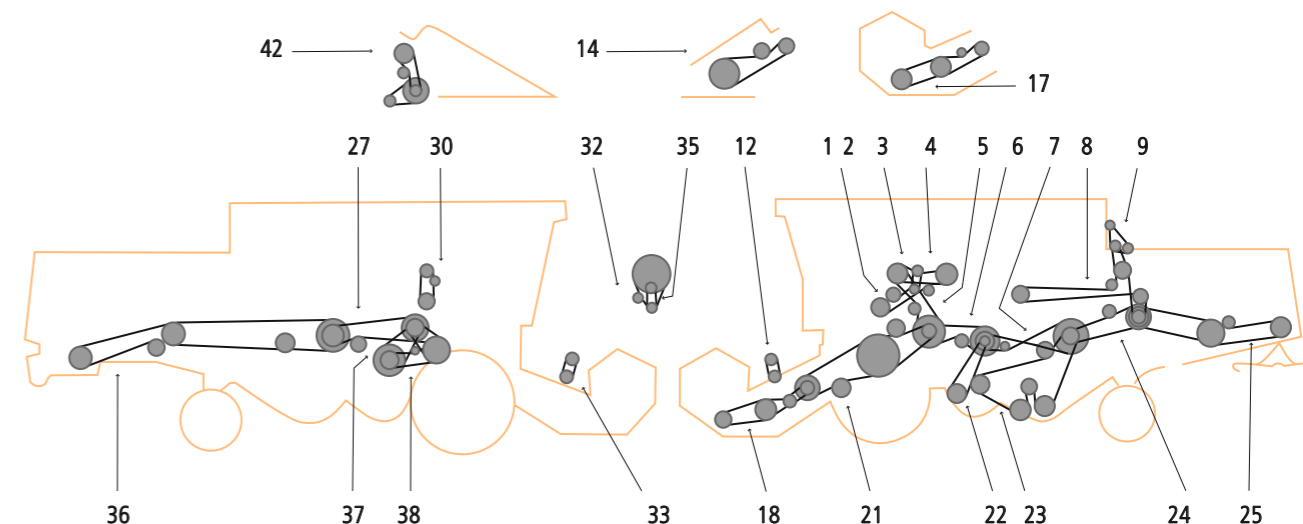
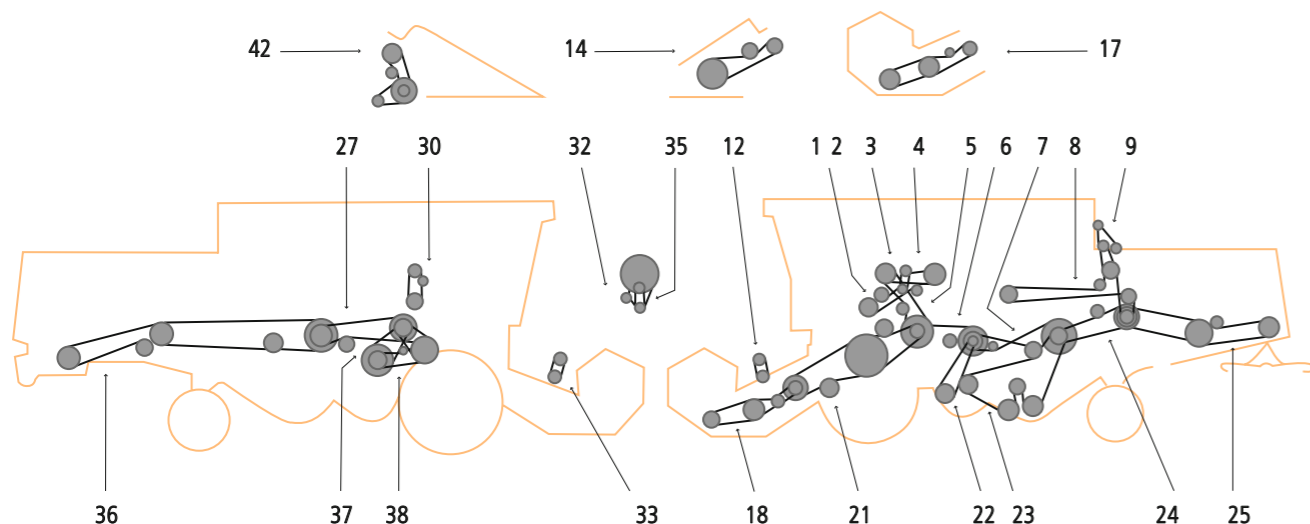


ITEM / POZYCJA	APPLICATION	OPIS	QUANTITY OF V-BELTS IN DRIVE / ILOŚĆ PASÓW W ZESPOLE	OE PART NUMBER / NUMER KATALOGOWY	COMMENT / UWAGI
1	BALER	NAPĘD PRASY	1	506880.0	
1	BALER	NAPĘD PRASY	1	506940.0	
2	ALTERNATOR DRIVE	NAPĘD POMPY HYDRAULICZNEJ	1	624131.0	
2	ALTERNATOR DRIVE	NAPĘD POMPY HYDRAULICZNEJ	1	750296.0	
2	ALTERNATOR DRIVE	NAPĘD POMPY HYDRAULICZNEJ	1	750624.0	
3	KNIFE DRIVE	NAPĘD KOSY	1	756051.0	
3	KNIFE DRIVE	NAPĘD KOSY	1	801221.0	
4	UNLOADER AUGER DRIVE	NAPĘD ŚLIMAKA WYSYPU ZBIORNIKA	1	756059.0	
5	CUTTING TABLE	NAPĘD POŚREDNI HEDERA	1	772657.0	
6	UNLOADER AUGER DRIVE	NAPĘD ŚLIMAKA WYSYPU ZBIORNIKA	1	775698.0	
7	PICK-UP	NAPĘD PODBIERACZA PRASY	1	800309.0	
8	SHAKER SHOE FANNING MILL	NAPĘD WIALNI, WYTRZĄSACZY	1	506023.0	
9	THRESHING MACHINE	NAPĘD BEBNA MŁÓCĄCEGO, ODRZUTNIKA	1	801222.0	
10	TRACTION DRIVE	NAPĘD JAZDY	1	750294.0	
11	TRACTION DRIVE	NAPĘD JAZDY	1	751112.0	
12	SHAKER SHOE FANNING MILL	NAPĘD WIALNI, WYTRZĄSACZY	1	772658.0	
12	SHAKER SHOE FANNING MILL	NAPĘD WIALNI, WYTRZĄSACZY	1	772660.0	
13	STRAW WALKER DRIVE	NAPĘD WYTRZĄSACZY, KOSZA SITOWEGO	1	773313.0	
13	STRAW WALKER DRIVE	NAPĘD WYTRZĄSACZY, KOSZA SITOWEGO	1	774100.0	
1	TRACTION DRIVE	NAPĘD JAZDY	1	629279.0	
2	HYDRAULIC PUMP DRIVE	NAPĘD POMPY HYDRAULICZNEJ	1	629002.1	
3	AIR CONDITIONING COMPRESSOR	NAPĘD KOMPRESORA KLIMATYZACJI	1	629908.1	
4	GRAIN TANK DRIVE	NAPĘD ZBIORNIKA ZBOŻOWEGO	1	629763.0	
5	THRESHING MACHINE	NAPĘD MŁOCARNI	1	629000.1	
6	BLOWER	NAPĘD WIALNI CZYSZCZĄCEJ	1	603337.0	
7	SHAKER SHOE DRIVE	NAPĘD ZESPOŁU WIALNI CZYSZCZĄCEJ	1	644141.0	
10	HEADER DRIVE	NAPĘD HEDERA	1	670224.1	X
12	HEADER DRIVE	NAPĘD HEDERA	2	603017.3	
13	FOR MAIZE PICKER	NAPĘD PRZYSTAWKI	1	692149.0	
13	FOR MAIZE PICKER	NAPĘD PRZYSTAWKI	1	692150.0	
16	HEADER DRIVE	NAPĘD HEDERA	1	671013.1	
19	HEADER DRIVE	NAPĘD HEDERA	1	713506.2	
21	CLEANING FAN DRIVE	NAPĘD WIALNI CZYSZCZĄCEJ	1	603380.0	
22	SHAKER SHOE DRIVE	NAPĘD KOSZA SITOWEGO	1	609762.0	
23	FOR STRAW DISTRIBUTOR	DO ROZTRZĄSACZA SŁOMY	1	506671.1	
24	FOR STRAW DISTRIBUTOR	DO ROZTRZĄSACZA SŁOMY	1	640653.1	
25	8. SEPARATOR CYLINDER	NAPĘD 8 BEBNA SEPARATORA	1	644014.1	

ITEM / POZYCJA	APPLICATION	OPIS	QUANTITY OF V-BELTS IN DRIVE / ILOŚĆ PASÓW W ZESPOLE	OE PART NUMBER / NUMER KATALOGOWY	COMMENT / UWAGI
35	ROTARY DUST SCREEN DRIVE	NAPĘD POŚREDNI ROTORA KOSZA CHŁODNICY	1	657793.0	
35	ROTARY DUST SCREEN DRIVE	NAPĘD POŚREDNI ROTORA KOSZA CHŁODNICY	1	661244.0	
35	ROTARY DUST SCREEN DRIVE	NAPĘD POŚREDNI ROTORA KOSZA CHŁODNICY	1	661245.0	
35	REEL DRIVE	NAPĘD MOTOWIDŁA	1	670229.2	X
36	STRAW CHOPPER DRIVE	NAPĘD ROZDRABNIACZA SŁOMY	1	061214.0	
36	STRAW CHOPPER DRIVE	NAPĘD ROZDRABNIACZA SŁOMY	1	061353.0	
36	STRAW CHOPPER DRIVE	NAPĘD ROZDRABNIACZA SŁOMY	1	061360.0	
37	CYLINDER DRIVE	NAPĘD BEBNA MŁÓCĄCEGO	1	609823.0	
37	CYLINDER DRIVE	NAPĘD BEBNA MŁÓCĄCEGO	1	629035.0	
38	CYLINDER DRIVE	NAPĘD BEBNA MŁÓCĄCEGO	1	661298.0	
38	CYLINDER DRIVE	NAPĘD BEBNA MŁÓCĄCEGO	1	629510.1	
38	CYLINDER DRIVE	NAPĘD BEBNA MŁÓCĄCEGO	1	603354.0	
38	CYLINDER DRIVE	NAPĘD BEBNA MŁÓCĄCEGO	1	661220.0	
41	FOR MAIZE PICKER	NAPĘD PRZYSTAWKI	1	695610.0	X
42	FOR MAIZE PICKER	NAPĘD PRZYSTAWKI	1	680334.0	
43	AIR EXHAUST	NAPĘD WENTYLATORA SSĄCEGO	1	644448.0	

X - not in standard offer / brak w standardowej ofercie



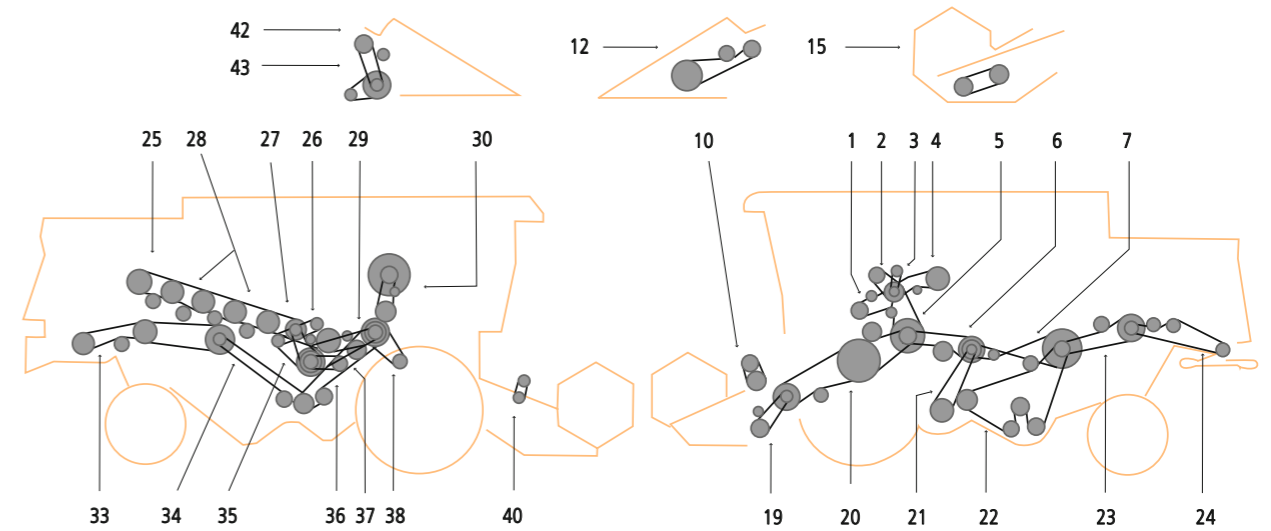
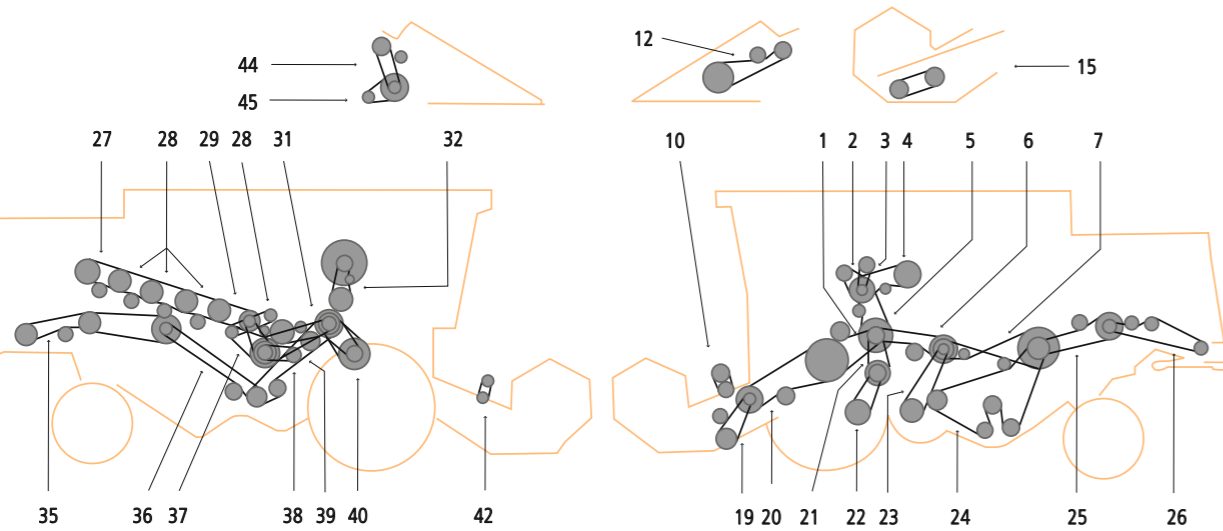


ITEM / POZYCJA	APPLICATION	OPIS	QUANTITY OF V-BELTS IN DRIVE / ILOŚĆ PASÓW W ZESPOLE	OE PART NUMBER / NUMER KATALOGOWY	COMMENT / UWAGI
1	HYDRAULIC PUMP DRIVE	NAPĘD POMPY HYDRAULICZNEJ	1	689175.0	
2	AIR CONDITIONING	NAPĘD KLIMATYZACJI	1	629908.0	
3	GRAIN TANK DRIVE	NAPĘD ZBIORNIKA ZBOŻOWEGO	1	629769.0	
4	MAIN/DRUM	GLÓWNY NAPĘD MŁOCARNI	1	629000.0	
5	COUNTERSHAFT	NAPĘD ZESPOŁU MŁOCARNI	1	603337.0	
6	RETURNS AUGER	NAPĘD WIALNI	1	603336.0	
7	STRAW WALKER DRIVE	NAPĘD WYTRZĄSACZY	1	629732.0	
7	STRAW WALKER DRIVE	NAPĘD WYTRZĄSACZY	1	644447.0	
8	STRAW WALKER DRIVE	NAPĘD WYTRZĄSACZY	1	640653.0	
11	REEL DRIVE	NAPĘD MOTOWIDŁA	1	670224.0	X
13	FOR MAIZE PICKER	NAPĘD PRZYSTAWKI	1	692149.0	
13	FOR MAIZE PICKER	NAPĘD PRZEKŁADNI	1	692150.0	
16	KNIFE DRIVE	NAPĘD KOSY	1	671013.0	
18	KNIFE DRIVE	NAPĘD KOSY	1	713506.0	
20	HEADER DRIVE	NAPĘD HEDERA	2	603290.0	
20	HEADER DRIVE	NAPĘD HEDERA	2	629836.0	
21	TABLE CLUTCH	NAPĘD MECHANIZMU MŁÓCĄCEGO	1	673638.0	
22	TRACTION DRIVE	NAPĘD JAZDY	1	609822.0	
23	TRACTION DRIVE	NAPĘD JAZDY	1	609823.0	
24	CLEANING FAN	NAPĘD WIALNI	1	603380.0	
25	SHAKER SHOE DRIVE	NAPĘD KOSZA SITOWEGO	1	609762.0	
26	STRAW WALKER DRIVE	NAPĘD WYTRZĄSACZY	1	506671.0	
27	STRAW DISTRIBUTOR	NAPĘD ROZTRZĄSACZA SŁOMY	1	623427.0	
29	COUNTERSHAFT	NAPĘD WAŁKA POŚREDNIEGO MŁOCARNI	1	060306.0	
32	COOLER	NAPĘD ROTORA KOSZA CHŁODNICY	1	603341.0	
32	COOLER	NAPĘD ROTORA KOSZA CHŁODNICY	1	783430.1	
34	REEL DRIVE	NAPĘD MOTOWIDŁA	1	670224.0	X
36	STRAW CHOPPER DRIVE	NAPĘD ROZDRABNIACZA SŁOMY	1	061214.0	
36	STRAW CHOPPER DRIVE	NAPĘD ROZDRABNIACZA SŁOMY	1	061353.0	
36	STRAW CHOPPER DRIVE	NAPĘD ROZDRABNIACZA SŁOMY	1	061360.0	
37	THRESHING MACHINE	NAPĘD MŁOCARNI	1	628630.0	
40	FOR MAIZE PICKER	NAPĘD PRZYSTAWKI	1	695610.0	X
41	CHOPPER DRIVE	NAPĘD SIECZKARNI	1	680334.0	
42	WITH TWO-STAGE DRIVE	NAPĘD DWUSTOPNIOWY MŁOCARNI	1	661220.0	
43	AIR EXHAUST	NAPĘD WENTYLATORA SSAĆCEGO	1	644448.0	

X - not in standard offer / brak w standardowej ofercie

ITEM / POZYCJA	APPLICATION	OPIS	QUANTITY OF V-BELTS IN DRIVE / ILOŚĆ PASÓW W ZESPOLE	OE PART NUMBER / NUMER KATALOGOWY	COMMENT / UWAGI
1	TRACTION DRIVE	NAPĘD JAZDY	1	544049.0	
2	HYDRAULIC PUMP DRIVE	NAPĘD POMPY HYDRAULICZNEJ	1	767057.1	
3	AIR CONDITIONING	KOMPRESOR KLIMATYZACJI	1	629908.1	
4	TANK UNLOADING	NAPĘD POŚREDNI ZBIORNIKA ZBOŻOWEGO	1	660409.0	
5	THRESHING MACHINE	NAPĘD GLÓWNY MŁOCARNI	1	644404.1	
6	BLOWER	NAPĘD WIALNI	1	603337.0	
7	FAN INTERMEDIATE DRIVE	NAPĘD POŚREDNI WIALNI	1	644141.1	
8	STRAW WALKER DRIVE	NAPĘD WYTRZĄSACZY	1	644447.0	
9	STRAW DISTRIBUTOR	NAPĘD ROZTRZĄSACZA SŁOMY	1	623427.1	
10	STRAW DISTRIBUTOR	NAPĘD ROZTRZĄSACZA SŁOMY	1	755070.1	
11	STRAW DISTRIBUTOR	NAPĘD ROZTRZĄSACZA SŁOMY	1	066034.0	
11	STRAW DISTRIBUTOR	NAPĘD ROZTRZĄSACZA SŁOMY	1	785341.0	
12	HEADER DRIVE	NAPĘD HEDERA	2	661337.0	
13	STRAW CHOPPER DRIVE	NAPĘD ROZDRABNIACZA SŁOMY	1	061214.0	
13	STRAW CHOPPER DRIVE	NAPĘD ROZDRABNIACZA SŁOMY	1	061353.1	
14	BLOWER	NAPĘD WIALNI	1	603380.1	
15	SHAKER SHOE DRIVE	NAPĘD KOSZA SITOWEGO	1	609762.0	
17	COUNTERSHAFT	NAPĘD WAŁKA POŚREDNIEGO MŁOCARNI	1	060306.3	
19	STRAW WALKER DRIVE	NAPĘD WYTRZĄSACZY	1	506671.2	
20	COOLER	NAPĘD ROTORA KOSZA CHŁODNICY	1	661345.0	
21	COOLER	NAPĘD ROTORA KOSZA CHŁODNICY	1	661244.0	
21	COOLER	NAPĘD ROTORA KOSZA CHŁODNICY	1	661245.0	
22	AIR EXHAUST	NAPĘD WENTYLATORA SSAĆCEGO	1	644448.0	
23	THRESHING MACHINE	NAPĘD MŁOCARNI	1	609823.0	
24	THRESHING MACHINE	NAPĘD MŁOCARNI	1	661220.1	
24	THRESHING MACHINE	NAPĘD MŁOCARNI	1	661298.0	

X - not in standard offer / brak w standardowej ofercie

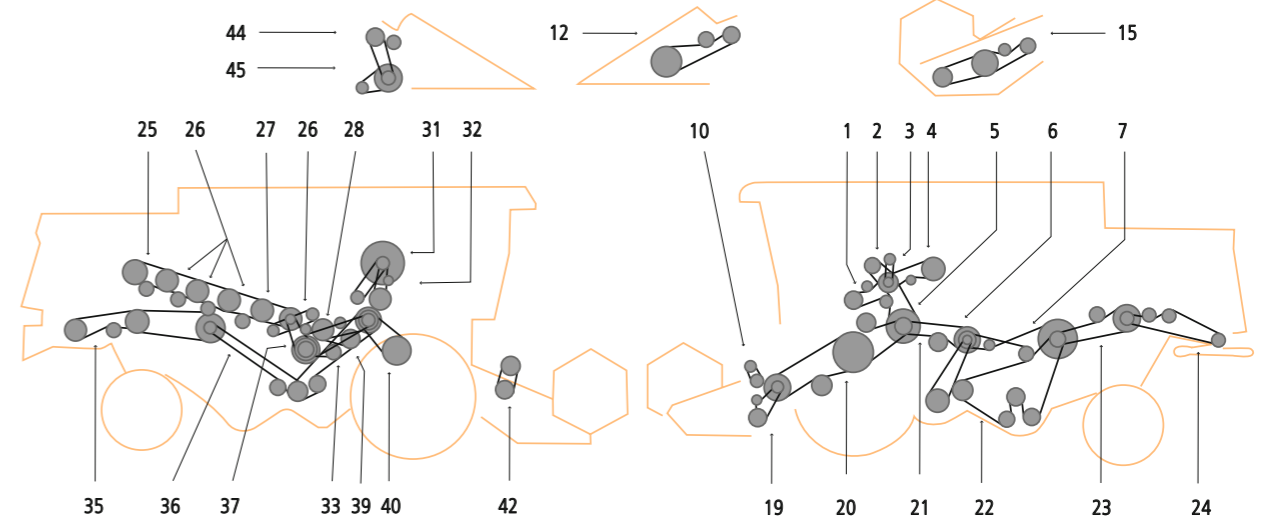
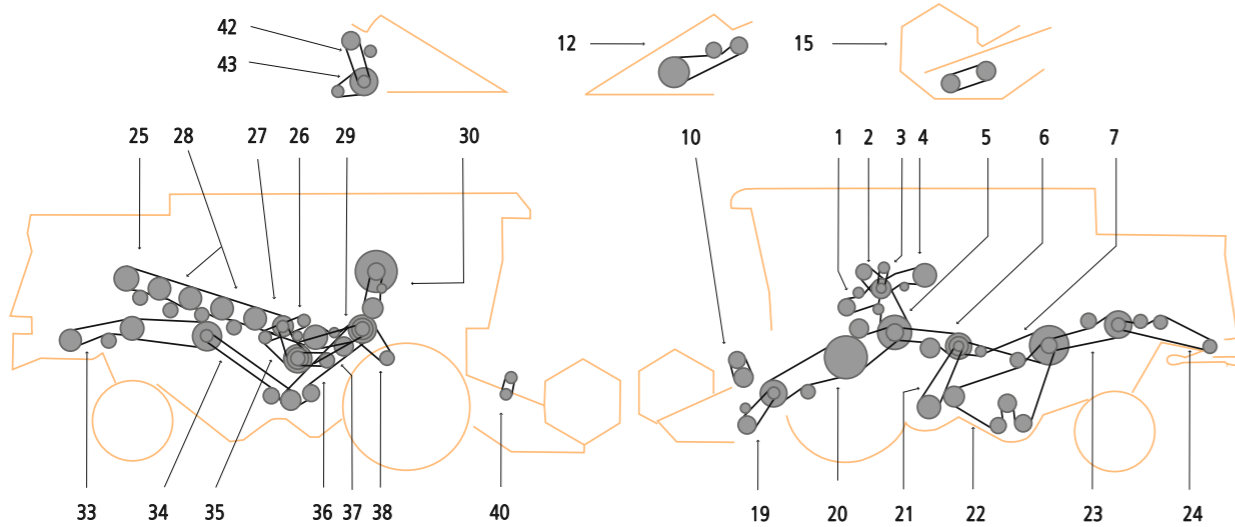


ITEM / POZYCJA	APPLICATION	OPIS	QUANTITY OF V-BELTS IN DRIVE / ILOŚĆ PASÓW W ZESPOLE	OE PART NUMBER / NUMER KATALOGOWY	COMMENT / UWAGI
1	THRESHING MACHINE	NAPĘD ZESPOŁU MŁOCARNI	1	673638.1	
2	HYDRAULIC PUMP DRIVE	NAPĘD POMPY HYDRAULICZNEJ	1	689175.0	
3	AIR CONDITIONING	NAPĘD KLIMATYZACJI	1	629908.1	
4	GRAIN TANK DRIVE	NAPĘD ZBIORNIKA ZBOŻOWEGO	1	629769.0	
5	THRESHING MACHINE	NAPĘD GŁÓWNY MŁOCARNI	1	629000.0	
6	FAN INTERMEDIATE DRIVE	NAPĘD POŚREDNI WIALNI	1	603337.0	
7	CLEANING FAN	NAPĘD WIALNI	1	644141.0	
12	FOR MAIZE PICKER	NAPĘD PRZYSTAWKI	1	692149.0	
12	FOR MAIZE PICKER	NAPĘD PRZYSTAWKI	1	692150.0	
15	KNIFE DRIVE	NAPĘD KOSY	1	671013.1	
15	CUTTING TABLE	NAPĘD POŚREDNI HEDERA	1	644209.0	
19	CUTTING TABLE	NAPĘD KOSY	1	629214.1	
20	HEADER DRIVE	NAPĘD HEDERA	2	629836.0	
21	TRACTION DRIVE	NAPĘD JAZDY	1	609822.0	
22	TRACTION DRIVE	NAPĘD JAZDY	1	609823.0	
23	CLEANING FAN	NAPĘD WIALNI	1	603380.0	
24	SHAKER SHOE DRIVE	NAPĘD KOSZA SITOWEGO	1	609762.0	
25	STRAW WALKER DRIVE	NAPĘD WYTRZĄSĄCZY	1	506671.1	
26	STRAW SPREADER, REAR	ROZTRZĄSĄCZ SŁOMY	1	640653.1	
27	8. SEPARATOR CYLINDER	NAPĘD 8 BĘBNA SEPARATORA	1	644014.1	
28	SEPARATOR CYLINDER	NAPĘD BĘBNA SEPARATORA	1	644015.0	
29	4. SEPARATOR CYLINDER	NAPĘD 4 BĘBNA SEPARATORA	1	644016.1	
31	COUNTERSHAFT DRIVE	NAPĘD BĘBNA MŁÓCĄCEGO	1	064168.2	
35	STRAW CHOPPER DRIVE	NAPĘD ROZDRABNIACZA SŁOMY	2	061872.0	
35	STRAW CHOPPER DRIVE	NAPĘD ROZDRABNIACZA SŁOMY	1	061701.1	
36	FOR STRAW CHOPPER	NAPĘD POŚREDNI ROZDRABNIACZA SŁOMY	1	061700.0	
37	COUNTERSHAFT - STRAW STRIPPER DRUM	WALEK POŚREDNI BĘBNA SEPARATORA SŁOMY	2	603247.1	
38	FOR STRAW CHOPPER	NAPĘD POŚREDNI ROZDRABNIACZA SŁOMY	1	061700.0	
39	SEPARATOR DRIVE	NAPĘD SEPARATORA	1	644014.1	
40	CYLINDER DRIVE	NAPĘD BĘBNA MŁÓCĄCEGO	1	603015.1	
40	CYLINDER DRIVE	NAPĘD BĘBNA MŁÓCĄCEGO	1	644177.0	X
42	REEL DRIVE	NAPĘD MOTOWIDŁA	1	670224.0	X
44	FOR MAIZE PICKER	NAPĘD PRZYSTAWKI	1	680334.1	
45	FOR MAIZE PICKER	NAPĘD PRZYSTAWKI	2	629410.0	

X - not in standard offer / brak w standardowej ofercie

ITEM / POZYCJA	APPLICATION	OPIS	QUANTITY OF V-BELTS IN DRIVE / ILOŚĆ PASÓW W ZESPOLE	OE PART NUMBER / NUMER KATALOGOWY	COMMENT / UWAGI
1	MAIN	NAPĘD GŁÓWNY JAZDY	1	629279.0	
2	HYDRAULIC PUMP DRIVE	NAPĘD POMPY HYDRAULICZNEJ	1	629002.1	
3	AIR CONDITIONING COMPRESSOR	NAPĘD KOMPRESORA KLIMATYZACJI	1	621903.1	
3	AIR CONDITIONING COMPRESSOR	NAPĘD KOMPRESORA KLIMATYZACJI	1	629908.1	
4	TANK UNLOADING	NAPĘD POŚREDNI ZBIORNIKA ZBOŻOWEGO	1	629763.0	
5	THRESHING MACHINE	NAPĘD BĘBNA MŁÓCĄCEGO	1	629000.0	
6	FAN INTERMEDIATE DRIVE	NAPĘD POŚREDNI WIALNI	1	603337.0	
7	CLEANING FAN	NAPĘD WIALNI	1	644141.0	
10	REEL DRIVE	NAPĘD MOTOWIDŁA	1	670224.0	X
12	FOR MAIZE PICKER	NAPĘD PRZYSTAWKI	1	692149.0	
12	FOR MAIZE PICKER	NAPĘD PRZYSTAWKI	1	692150.0	
15	KNIFE DRIVE	NAPĘD KOSY	1	671013.1	
15	CUTTING TABLE	NAPĘD POŚREDNI HEDERA	1	644209.0	
19	CUTTING TABLE	NAPĘD KOSY	1	629214.1	
20	HEADER DRIVE	NAPĘD HEDERA	2	603017.3	
21	CLEANING FAN	NAPĘD WIALNI	1	603380.0	
22	SHAKER SHOE DRIVE	NAPĘD KOSZA SITOWEGO	1	609762.0	
23	FOR STRAW DISTRIBUTOR	NAPĘD POŚREDNI ROZTRZĄSĄCZA SŁOMY	1	506671.1	
24	STRAW DISTRIBUTOR	NAPĘD ROZTRZĄSĄCZA SŁOMY	1	640653.1	
25	8. SEPARATOR CYLINDER	NAPĘD 8 BĘBNA SEPARATORA	1	644014.0	
26	1. & 2. SEPARATOR CYLINDER	NAPĘD 1 I 2 BĘBNA SEPARATORA	1	644015.1	
27	3. 4. & 5. SEPARATOR CYLINDER	NAPĘD 3, 4 I 5 BĘBNA SEPARATORA	1	644016.1	
29	CYLINDER DRIVE	NAPĘD BĘBNA MŁÓCĄCEGO	1	064168.2	
30	COOLER	NAPĘD ROTORA KOSZA CHŁODNICY	1	603341.0	
30	COOLER	NAPĘD ROTORA KOSZA CHŁODNICY	1	233843.1	
33	STRAW CHOPPER DRIVE	NAPĘD ROZDRABNIACZA SŁOMY	2	061872.0	
33	STRAW CHOPPER DRIVE	NAPĘD ROZDRABNIACZA SŁOMY	1	061701.1	
34	FOR STRAW CHOPPER	NAPĘD GŁÓWNY ROZDRABNIACZA SŁOMY	1	061700.0	
35	STRAW WALKER	NAPĘD POŚREDNI ZESPOŁU BĘBNÓW SEPARATORA	2	603247.1	
36	STRAW CHOPPER DRIVE	NAPĘD ROZDRABNIACZA SŁOMY	1	061700.0	
37	1. 2. 6. 7. & 8. SEPARATOR CYLINDER	NAPĘD 1, 2, 6, 7 I 8 BĘBNA SEPARATORA	1	344014.1	
38	CYLINDER DRIVE	NAPĘD BĘBNA MŁÓCĄCEGO	1	603015.1	
38	CYLINDER DRIVE	NAPĘD BĘBNA MŁÓCĄCEGO	1	644177.0	X
40	REEL DRIVE	NAPĘD MOTOWIDŁA	1	670224.0	X
42	FOR MAIZE PICKER	NAPĘD PRZYSTAWKI	1	680334.1	
43	FOR MAIZE PICKER	NAPĘD PRZYSTAWKI	2	629410.0	

X - not in standard offer / brak w standardowej ofercie



ITEM / POZYCJA	APPLICATION	OPIS	QUANTITY OF V-BELTS IN DRIVE / ILOŚĆ PASÓW W ZESPOLE	OE PART NUMBER / NUMER KATALOGOWY	COMMENT / UWAGI
1	GRAIN TANK DRIVE	NAPĘD ZBIORNIKA ZBOŻOWEGO	1	629763.0	
1	TRACTION DRIVE	NAPĘD JAZDY	1	644017.0	
2	HYDRAULIC PUMP DRIVE	NAPĘD POMPY HYDRAULICZNEJ	1	629002.1	
3	AIR CONDITIONING COMPRESSOR	NAPĘD KOMPRESORA KLIMATYZACJI	1	629908.1	
5	THRESHING MACHINE	NAPĘD MŁOCARNI	1	644018.0	
6	RETURNS AUGER	NAPĘD ZESPOŁU WIALNI	1	603337.0	
7	FAN INTERMEDIATE DRIVE	NAPĘD POŚREDNI WIALNI	1	644141.0	
10	REEL DRIVE	NAPĘD MOTOWIDŁA	1	670224.0	X
12	FOR MAIZE PICKER	NAPĘD PRZEKŁADNI PRZYSTAWKI	1	692149.0	
12	FOR MAIZE PICKER	NAPĘD PRZEKŁADNI PRZYSTAWKI	1	692150.0	
15	KNIFE DRIVE	NAPĘD KOSY	1	671013.1	
15	CUTTING TABLE	NAPĘD POŚREDNI HEDERA	1	644209.0	
19	KNIFE DRIVE	NAPĘD KOSY	1	629214.1	
20	KNIFE DRIVE	NAPĘD KOSY	2	603017.3	
21	CLEANING FAN	NAPĘD WIALNI	1	603380.0	
22	SHAKER SHOE DRIVE	NAPĘD KOSZA SITOWEGO	1	609762.0	
23	FOR STRAW DISTRIBUTOR	NAPĘD POŚREDNI ROZTRZĄSACZA SŁOMY	1	506671.1	
24	STRAW DISTRIBUTOR	NAPĘD ROZTRZĄSACZA SŁOMY	1	640653.1	
25	8. SEPARATOR CYLINDER	NAPĘD 8 BĘBNA SEPARATORA	1	644014.1	
26	SEPARATOR CYLINDER	NAPĘD BĘBNA SEPARATORA	1	644015.1	
27	4. & 5. SEPARATOR CYLINDER	NAPĘD 4, 5 BĘBNA SEPARATORA	1	644016.1	
29	COUNTERSHAFT DRIVE	NAPĘD BĘBNA MŁÓCĄCEGO	1	064168.2	
30	COOLER	NAPĘD ROTORA KOSZA CHŁODNICY	1	233843.1	
33	STRAW CHOPPER DRIVE	NAPĘD ROZDRABNIACZA SŁOMY	2	061872.0	
33	STRAW CHOPPER DRIVE	NAPĘD ROZDRABNIACZA SŁOMY	1	061701.1	
34	STRAW CHOPPER DRIVE	NAPĘD ROZDRABNIACZA SŁOMY	1	061700.0	
35	STRAW WALKER	NAPĘD POŚREDNI ZESPOŁU BĘBNÓW SEPARATORA	2	603247.1	
36	STRAW CHOPPER DRIVE	NAPĘD ROZDRABNIACZA SŁOMY	1	061700.0	
37	1. & 2. SEPARATOR CYLINDER	NAPĘD 1 I 2 BĘBNA SEPARATORA	1	644014.1	
38	CYLINDER DRIVE	NAPĘD BĘBNA MŁÓCĄCEGO	1	603015.1	
38	CYLINDER DRIVE	NAPĘD BĘBNA MŁÓCĄCEGO	1	644177.0	X
40	REEL DRIVE	NAPĘD MOTOWIDŁA	1	670224.0	X
42	FOR MAIZE PICKER	NAPĘD PRZYSTAWKI	1	680334.1	
43	FOR MAIZE PICKER	NAPĘD PRZYSTAWKI	2	629410.0	

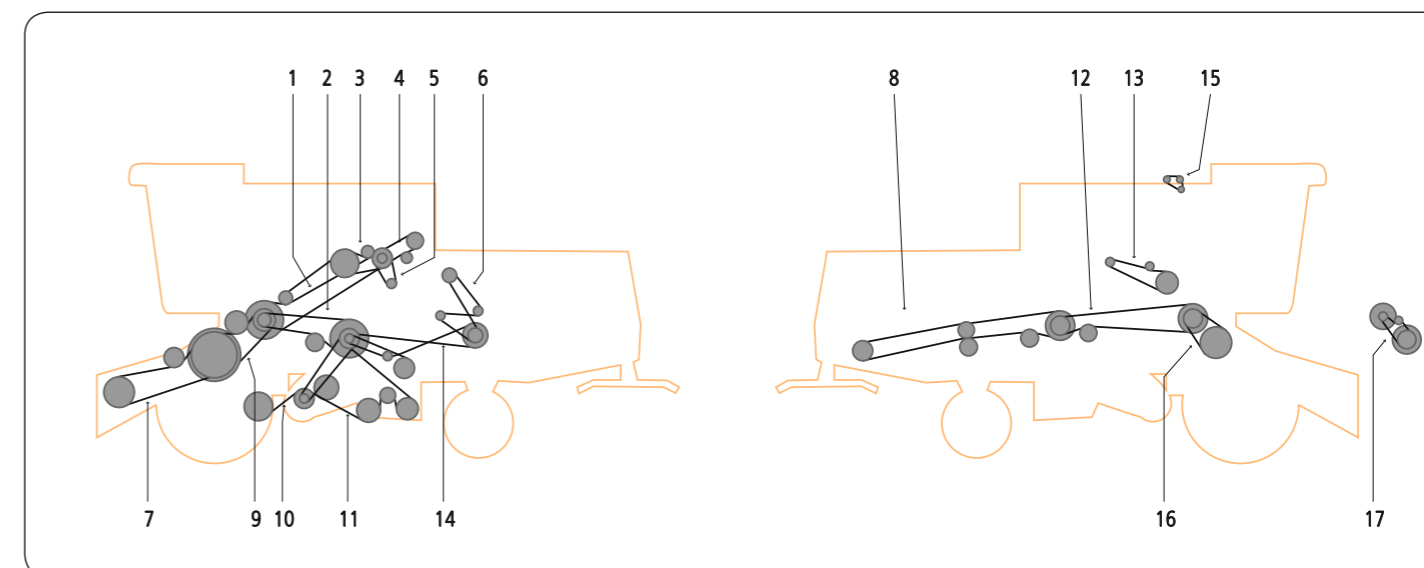
X - not in standard offer / brak w standardowej ofercie

ITEM / POZYCJA	APPLICATION	OPIS	QUANTITY OF V-BELTS IN DRIVE / ILOŚĆ PASÓW W ZESPOLE	OE PART NUMBER / NUMER KATALOGOWY	COMMENT / UWAGI
1	HYDRAULIC PUMP DRIVE	NAPĘD POMPY HYDRAULICZNEJ	1	644017.0	
2	HYDRAULIC PUMP DRIVE	NAPĘD POMPY HYDRAULICZNEJ	1	689175.0	
2	HYDRAULIC PUMP DRIVE	NAPĘD POMPY HYDRAULICZNEJ	1	629002.1	
3	AIR CONDITIONING COMPRESSOR	NAPĘD KOMPRESORA KLIMATYZACJI	1	621903.1	
3	AIR CONDITIONING COMPRESSOR	NAPĘD KOMPRESORA KLIMATYZACJI	1	629908.1	
4	GRAIN TANK DRIVE	NAPĘD ZBIORNIKA ZBOŻOWEGO	1	629763.0	
5	MAIN DRIVE	NAPĘD ZBIORNIKA ZBOŻOWEGO	1	644018.0	
6	RETURNS AUGER	NAPĘD ZESPOŁU WIALNI	1	603337.0	
7	RETURNS AUGER	NAPĘD ZESPOŁU WIALNI	1	603336.0	
10	REEL DRIVE	NAPĘD MOTOWIDŁA	1	670224.0	X
12	FOR MAIZE PICKER	NAPĘD PRZEKŁADNI PRZYSTAWKI	1	692149.0	
12	FOR MAIZE PICKER	NAPĘD PRZEKŁADNI PRZYSTAWKI	1	692150.0	
12	FOR MAIZE PICKER	NAPĘD PRZEKŁADNI PRZYSTAWKI	1	692150.0	
15	CUTTING TABLE	NAPĘD KOSY	1	671013.1	
15	CUTTING TABLE	NAPĘD POŚREDNI HEDERA	1	644209.0	
19	CUTTING TABLE	NAPĘD KOSY	1	629214.1	
20	HEADER DRIVE	NAPĘD HEDERA	2	629441.0	
20	HEADER DRIVE	NAPĘD HEDERA	2	603017.3	
21	CLEANING FAN	NAPĘD WIALNI	1	603380.0	
22	SIEVE PAN	NAPĘD KOSZA SITOWEGO	1	609762.0	
23	STRAW WALKER DRIVE	NAPĘD WYTRZĄSACZY	1	506671.1	
24	STRAW DISTRIBUTOR	NAPĘD ROZTRZĄSACZA	1	640653.1	
25	8. SEPARATOR CYLINDER	NAPĘD 8 BĘBNA SEPARATORA	1	644014.1	
26	ROLLER	NAPĘD 4, 5, 6, 7 BĘBNA SEPARATORA	1	644015.1	
27	ROLLER	NAPĘD 3 BĘBNA SEPARATORA	1	644016.1	
28	INTER MED	NAPĘD POŚREDNI MŁOCARNI	1	064168.2	
31	COOLER	NAPĘD ROTORA KOSZA CHŁODNICY	1	233843.1	
31	COOLER	NAPĘD ROTORA KOSZA CHŁODNICY	1	644267.0	
32	HYDRAULIC PUMP DRIVE	NAPĘD POMPY HYDRAULICZNEJ	1	633030.2	
35	STRAW CHOPPER DRIVE	NAPĘD ROZDRABNIACZA SŁOMY	2	061872.0	
35	STRAW CHOPPER DRIVE	NAPĘD ROZDRABNIACZA SŁOMY	1	061701.1	
36	STRAW CHOPPER DRIVE	NAPĘD ROZDRABNIACZA SŁOMY	1	061700.0	
37	STRAW WALKER	NAPĘD POŚREDNI ZESPOŁU BĘBNÓW SEPARATORA	2	603247.1	
38	FOR STRAW CHOPPER	NAPĘD POŚREDNI ROZDRABNIACZA SŁOMY	1	061700.0	
39	STRAW WALKER	NAPĘD POŚREDNI ZESPOŁU BĘBNÓW SEPARATORA	1	644014.1	
40	CYLINDER DRIVE	NAPĘD BĘBNA MŁÓCĄCEGO	1	603015.1	
40	CYLINDER DRIVE	NAPĘD BĘBNA MŁÓCĄCEGO	1	644177.0	X
42	REEL DRIVE	NAPĘD MOTOWIDŁA	1	670224.0	X
44	FOR MAIZE PICKER	NAPĘD PRZYSTAWKI	1	680334.1	
45	FOR MAIZE PICKER	NAPĘD PRZYSTAWKI	2	629410.0	

X - not in standard offer / brak w standardowej ofercie

ITEM / POZYCJA	APPLICATION	OPIS	QUANTITY OF V-BELTS IN DRIVE / ILOŚĆ PASÓW W ZESPOLE	OE PART NUMBER / NUMER KATALOGOWY	COMMENT / UWAGI
1			2	544049.1	
2			1	767057.1	
2			1	656028.0	
3			1	621903.1	
3			1	629908.1	
4			1	660409.0	
5			1	544083.0	
5			1	644404.1	
6			1	603337.0	
7			1	644141.1	
8			1	644447.0	
9			1	623427.1	
11	N = 660	N = 660	1	785341.0	
11	N = 519	N = 519	1	066034.0	
13	FOR CORN	DO KUKURYDZY	1	061214.0	
13	TO NO. 09408296	DO NUMERU 09408296	1	061353.1	
13	FROM NO. 09408297	OD NUMERU 09408297	1	644539.0	
14			1	603380.1	
15			1	609762.0	
17	FROM NO. 09408297	OD NUMERU 09408297	1	644538.0	
19			1	506671.2	
20			1	661345.0	
20			1	545689.0	
21			1	661244.0	
22	TO NO. 09408296	DO NUMERU 09408296	1	644448.0	
22	FROM NO. 09408297	OD NUMERU 09408297	1	644537.0	
23	TWO STAGE DRIVE	NAPĘD DWUSTOPNIOWY	1	609823.0	
24	DRUM VARIABLE SPEED DRIVE N = 250 - 1250	NAPĘD BĘBNA MŁÓCĄCEGO ZMIENNA PRĘDKOŚĆ N = 250 - 1250	1	661298.0	
24	DRUM VARIABLE SPEED DRIVE N = 650 - 1500	NAPĘD BĘBNA MŁÓCĄCEGO ZMIENNA PRĘDKOŚĆ N = 650 - 1500	1	661220.1	

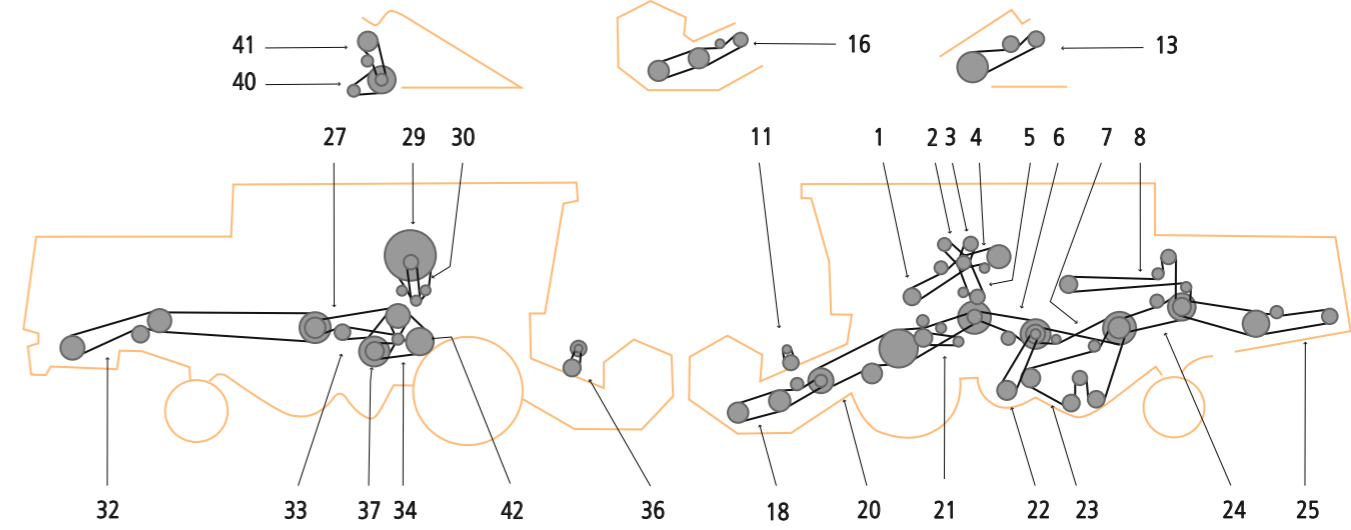
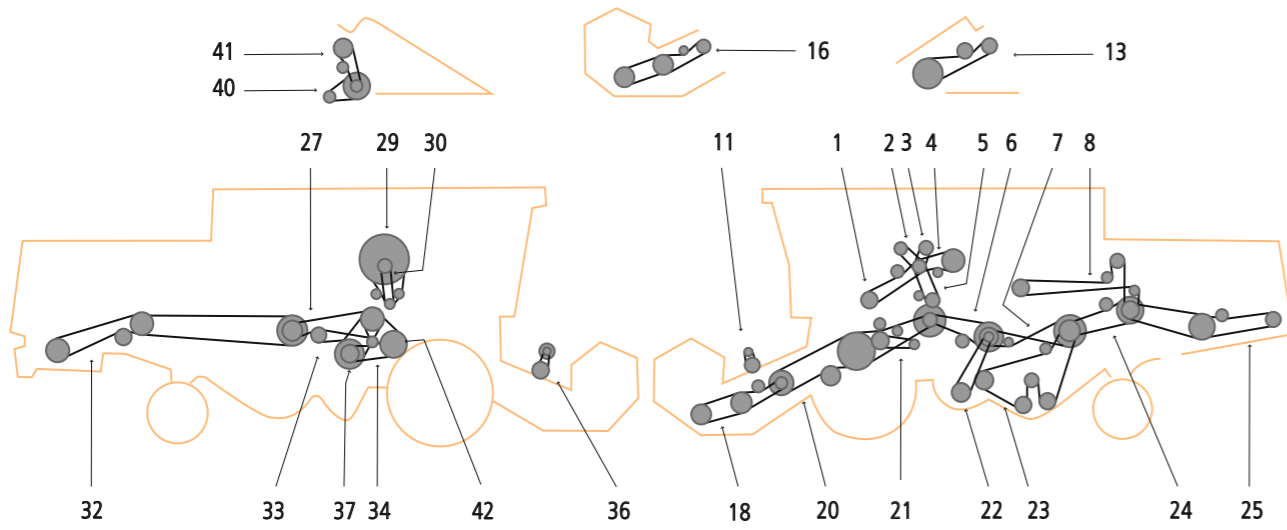
X - not in standard offer / brak w standardowej ofercie



ITEM / POZYCJA	APPLICATION	OPIS	QUANTITY OF V-BELTS IN DRIVE / ILOŚĆ PASÓW W ZESPOLE	OE PART NUMBER / NUMER KATALOGOWY	COMMENT / UWAGI
1			1	628888.0	
2			1	724141.0	
3	GRAIN TANK DRIVE	NAPĘD ZBIORNIKA ZBOŻOWEGO	1	672351.0	
4			1	672350.1	
5			1	349065.0	X
6	STRAW WALKER DRIVE	NAPĘD WYTRZĄSACZY	1	802931.0	
7	MAIZE EQUIPMENT	PRZYSTAWKA KUKURYDZIANA	2	603290.0	
8	BY GRAIN	DO ZIARNA	1	061902.0	
9	CUTTING TABLE	NAPĘD POŚREDNI HEDERA	1	673638.0	
10	SHAKER SHOE FANNING MILL	NAPĘD WIALNI, WYTRZĄSACZY	1	603380.0	
11			1	724247.0	
12	STRAW CHOPPER FOR MAIZE	ROZDRABNIACZ SŁOMY	2	061872.0	
13			1	725325.0	X
14	STRAW WALKER DRIVE	NAPĘD WYTRZĄSACZY	1	785176.0	
15			1	686200.0	X
16			1	628630.0	
16			1	661430.0	X
16	TRACTION DRIVE	NAPĘD JAZDY	1	629756.0	
17			1	603132.1	X

X - not in standard offer / brak w standardowej ofercie



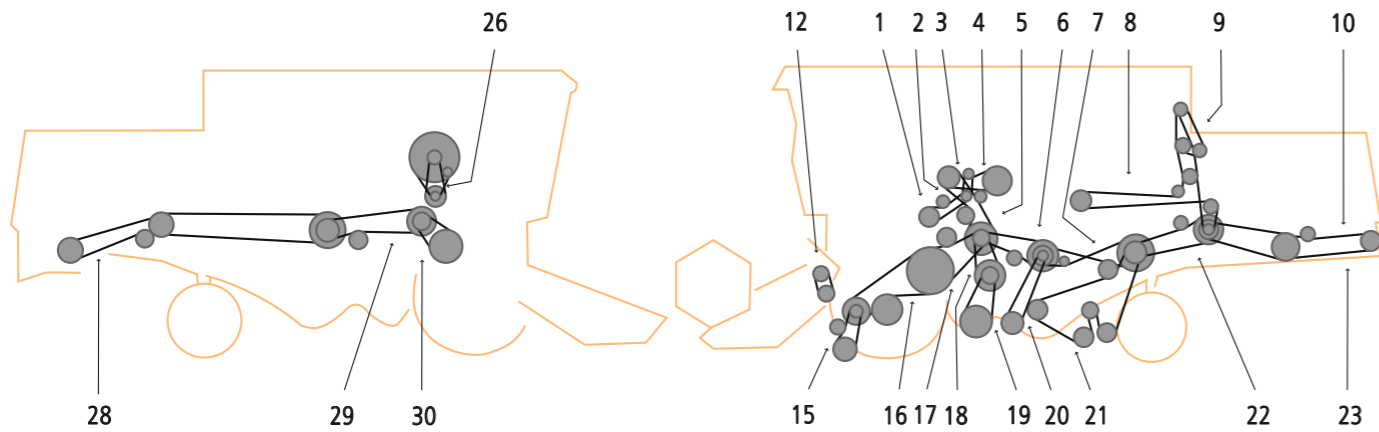


ITEM / POZYCJA	APPLICATION	OPIS	QUANTITY OF V-BELTS IN DRIVE / ILOŚĆ PASÓW W ZESPOLE	OE PART NUMBER / NUMER KATALOGOWY	COMMENT / UWAGI
0	CYLINDER DRIVE	NAPĘD BĘBNA MŁÓCĄCEGO	1	609823.0	
0	THRESHING MACHINE	NAPĘD MŁOCARNI	1	661220.0	
1	TRAVEL DRIVE	NAPĘD JAZDY	1	661362.1	
2	HYDRAULIC PUMP DRIVE	NAPĘD POMPY HYDRAULICZNEJ	1	767057.1	
3	AIR CONDITIONING COMPRESSOR	NAPĘD KOMPRESORA KLIMATYZACJI	1	629908.1	
4	TANK UNLOADING	NAPĘD MECHANIZMU WYSYPU ZBIORNIKA ZBOŻOWEGO	1	629769.0	
5	THRESHING MACHINE	NAPĘD MŁOCARNI	1	661458.0	
6	COUNTERSHAFT	NAPĘD WAŁKA POŚREDNIEGO WIALNI	1	603337.0	
7	SHAKER SHOE DRIVE	NAPĘD ZESPOŁU WIALNI CZYSZCZĄCEJ	1	644141.1	
7	SHAKER SHOE DRIVE	NAPĘD ZESPOŁU WIALNI CZYSZCZĄCEJ	1	603336.1	
11	REEL DRIVE	NAPĘD MOTOWIDŁA	1	670224.1	X
13	FOR MAIZE PICKER	NAPĘD PRZEKŁADNI PRZYSTAWKI	1	692149.0	
13	FOR MAIZE PICKER	NAPĘD PRZEKŁADNI PRZYSTAWKI	1	692150.0	
13	FOR MULTIMASTER	NAPĘD PRZYSTAWKI MULTIMASTER	1	629142.0	
16	CUTTING TABLE	NAPĘD KOSY	1	671013.1	
18	KNIFE DRIVE	NAPĘD KOSY	1	713506.2	
20	HEADER DRIVE	NAPĘD HEDERA	2	661337.0	
20	HEADER DRIVE	NAPĘD HEDERA	2	661378.1	
21	ACCELERATOR	NAPĘD PRZYSPIESZACZA	1	661031.0	
22	BLOWER	NAPĘD WIALNI CZYSZCZĄCEJ	1	671209.0	X
22	BLOWER	NAPĘD WIALNI CZYSZCZĄCEJ	1	603380.1	
23	SHAKER SHOE DRIVE	NAPĘD KOSZA SITOWEGO	1	609762.0	
23	SHAKER SHOE DRIVE	NAPĘD KOSZA SITOWEGO	2	603017.3	
24	STRAW WALKER DRIVE	NAPĘD WYTRZĄSACZY	1	506671.2	
25	STRAW DISTRIBUTOR	NAPĘD ROZTRZĄSACZA	1	623427.1	
27	STRAW SHOPPER	NAPĘD POŚREDNI ROZDRABNIACZA SŁOMY	1	060306.2	
29	COOLER	NAPĘD ROTORA KOSZA CHŁODNICY	1	661345.0	
30	COUNTERSHAFT	NAPĘD WAŁKA POŚREDNIEGO KOSZA CHŁODNICY	1	657793.0	
32	STRAW CHOPPER DRIVE	NAPĘD ROZDRABNIACZA SŁOMY	1	061214.0	
32	STRAW CHOPPER DRIVE	NAPĘD ROZDRABNIACZA SŁOMY	1	061360.0	
33	CYLINDER DRIVE	NAPĘD BĘBNA MŁÓCĄCEGO	1	609823.0	
34	CYLINDER DRIVE	NAPĘD BĘBNA MŁÓCĄCEGO	1	661220.0	
35	REEL DRIVE	NAPĘD MOTOWIDŁA	1	670224.1	X
37	AIR EXHAUST	NAPĘD WENTYLATORA SSAĆCEGO	1	644448.0	
40	CHOPPER DRIVE	NAPĘD PRZYSTAWKI	1	695610.0	X
41	CHOPPER DRIVE	NAPĘD PRZYSTAWKI	1	680334.1	
42	CYLINDER DRIVE	NAPĘD BĘBNA MŁÓCĄCEGO	1	644418.0	
43	ALTERNATOR DRIVE	NAPĘD ALTERNATORA	1	133635.0	
43	ALTERNATOR DRIVE	NAPĘD ALTERNATORA	2	133630.0	

X - not in standard offer / brak w standardowej ofercie

ITEM / POZYCJA	APPLICATION	OPIS	QUANTITY OF V-BELTS IN DRIVE / ILOŚĆ PASÓW W ZESPOLE	OE PART NUMBER / NUMER KATALOGOWY	COMMENT / UWAGI
0	THRESHING MACHINE	NAPĘD MŁOCARNI	1	661220.0	
1	TRAVEL DRIVE	NAPĘD JAZDY	1	661239.0	
1	TRAVEL DRIVE	NAPĘD JAZDY	1	661451.0	
2	HYDRAULIC PUMP DRIVE	NAPĘD POMPY HYDRAULICZNEJ	1	633030.2	
2	HYDRAULIC PUMP DRIVE	NAPĘD POMPY HYDRAULICZNEJ	1	767057.1	
3	AIR CONDITIONING COMPRESSOR	NAPĘD KOMPRESORA KLIMATYZACJI	1	629908.1	
3	AIR CONDITIONING COMPRESSOR	NAPĘD KOMPRESORA KLIMATYZACJI	1	661114.0	
4	TANK UNLOADING	NAPĘD ZESPOŁU WYSYPU ZBIORNIKA ZBOŻOWEGO	1	660409.0	
4	TANK UNLOADING	NAPĘD ZESPOŁU WYSYPU ZBIORNIKA ZBOŻOWEGO	1	661093.0	
5	THRESHING MACHINE	NAPĘD MŁOCARNI	1	644403.0	
5	THRESHING MACHINE	NAPĘD MŁOCARNI	1	644404.1	
6	COUNTERSHAFT	NAPĘD WAŁKA POŚREDNIEGO WIALNI CZYSZCZĄCEJ I HEDERU	1	603337.0	
7	SHAKER SHOE DRIVE	NAPĘD ZESPOŁU WIALNI CZYSZCZĄCEJ	1	644141.1	
8	STRAW WALKER DRIVE	NAPĘD WYTRZĄSACZY	1	644447.0	
11	REEL DRIVE	NAPĘD MOTOWIDŁA	1	670224.1	X
13	FOR MULTIMASTER	NAPĘD PRZYSTAWKI MULTIMASTER	1	629142.0	
13	FOR MULTIMASTER	NAPĘD PRZEKŁADNI PRZYSTAWKI	1	692149.0	
13	FOR MULTIMASTER	NAPĘD PRZYSTAWKI	1	692150.0	
16	KNIFE DRIVE	NAPĘD KOSY	1	671013.1	
18	KNIFE DRIVE	NAPĘD KOSY	1	713506.2	
20	HEADER DRIVE	NAPĘD HEDERA	2	661378.1	
21	FEEDER DRUM	NAPĘD BĘBNA WCIĄGAJĄCEGO	1	661031.0	
22	BLOWER	NAPĘD WIALNI CZYSZCZĄCEJ	1	603380.1	
23	SHAKER SHOE DRIVE	NAPĘD KOSZA SITOWEGO	1	609762.0	
24	STRAW WALKER DRIVE	NAPĘD WYTRZĄSACZY	1	506671.2	
25	STRAW DISTRIBUTOR	NAPĘD ROZTRZĄSACZA SŁOMY	1	623427.1	
27	STRAW SHOPPER	NAPĘD POŚREDNI ROZDRABNIACZA SŁOMY	1	060306.2	
30	COOLER	NAPĘD ROTORA KOSZA CHŁODNICY	1	661345.0	
31	COUNTERSHAFT	NAPĘD POŚREDNI KOSZA CHŁODNICY	1	661244.0	
31	COUNTERSHAFT	NAPĘD POŚREDNI KOSZA CHŁODNICY	1	661245.0	
33	STRAW CHOPPER DRIVE	NAPĘD ROZDRABNIACZA SŁOMY	1	061214.0	
33	STRAW CHOPPER DRIVE	NAPĘD ROZDRABNIACZA SŁOMY	1	061353.0	
34	THRESHING MACHINE	NAPĘD BĘBNA MŁÓCĄCEGO	1	609823.0	
35	THRESHING MACHINE	NAPĘD BĘBNA MŁÓCĄCEGO	1	661220.0	
35	THRESHING MACHINE	NAPĘD BĘBNA MŁÓCĄCEGO	1	661298.0	
36	REEL DRIVE	NAPĘD MOTOWIDŁA	1	670224.1	X
40	CHOPPER DRIVE	NAPĘD PRZYSTAWKI	1	695610.0	X
41	CHOPPER DRIVE	NAPĘD SIECZKARNI	1	680334.1	
42	AIR EXHAUST	NAPĘD WENTYLATORA SSAĆCEGO	1	644448.0	

X - not in standard offer / brak w standardowej ofercie



ITEM / POZYCJA	APPLICATION	OPIS	QUANTITY OF V-BELTS IN DRIVE / ILOŚĆ PASÓW W ZESPOLE	OE PART NUMBER / NUMER KATALOGOWY	COMMENT / UWAGI
1	BALER	NAPĘD PRASY	1	506880.0	
2	KNIFE DRIVE	NAPĘD KOSY	1	756051.0	
2	COUNTERSHAFT - STRAW CHOPPER	WĄLEK POŚREDNI I ROZDRABNIACZ SŁOMY	1	801221.0	
3	UNLOADER AUGER DRIVE	NAPĘD ŚLIMAKA WYSYPU ZBIORNIKA	1	756051.0	
3	UNLOADER AUGER DRIVE	NAPĘD ŚLIMAKA WYSYPU ZBIORNIKA	1	756059.0	
4	CLEANING FAN	NAPĘD WIALNI	1	758662.0	
4	CLEANING FAN	NAPĘD WIALNI	1	758719.0	
5	CUTTING TABLE	NAPĘD POŚREDNI HEDERA	1	772657.0	
6	UNLOADER AUGER DRIVE	NAPĘD ŚLIMAKA WYSYPU ZBIORNIKA	1	775698.0	
7	PICK-UP	NAPĘD PODBIERACZA PRASY	1	800309.0	
8	STRAW CHOPPER DRIVE	NAPĘD ROZDRABNIACZA SŁOMY	1	506940.0	
9	SHAKER SHOE FANNING MILL	NAPĘD WIALNI, WYTRZĄSACZY	1	775049.0	
10	HYDRAULIC PUMP DRIVE	NAPĘD POMPY HYDRAULICZNEJ	1	755070.0	
11	TRACTION DRIVE	NAPĘD JAZDY	1	750284.0	
11	TRACTION DRIVE	NAPĘD JAZDY	1	750316.0	
12	THRESHING MACHINE	NAPĘD MŁOCARNI	1	750888.0	
13	TRACTION DRIVE	NAPĘD JAZDY	1	751112.0	
14	SHAKER SHOE. FAN. BALER	NAPĘD KOSZA SITOWEGO	1	772658.0	
14	SHAKER SHOE. FAN. BALER	NAPĘD KOSZA SITOWEGO	1	772659.0	X
15	STRAW WALKER DRIVE	NAPĘD WYTRZĄSACZY, KOSZA SITOWEGO	1	773313.0	
15	STRAW WALKER DRIVE	NAPĘD WYTRZĄSACZY, KOSZA SITOWEGO	1	774100.0	
16	COUNTERSHAFT - STRAW CHOPPER	WĄLEK POŚREDNI I ROZDRABNIACZ SŁOMY	1	801221.0	

X - not in standard offer / brak w standardowej ofercie

ITEM / POZYCJA	APPLICATION	OPIS	QUANTITY OF V-BELTS IN DRIVE / ILOŚĆ PASÓW W ZESPOLE	OE PART NUMBER / NUMER KATALOGOWY	COMMENT / UWAGI
1	HYDRAULIC REMOTE CONTROL	HYDRAULICZNE ZDALNE STEROWANIE	1	211238.0	X
2	ANGLE GEAR BOX. RPM 540	NAPĘD PRZEKŁADNI	1	943227.0	
3	ANGLE GEAR BOX. RPM 750	NAPĘD PRZEKŁADNI	1	943234.0	X
4	ANGLE GEAR BOX. RPM 1000	NAPĘD PRZEKŁADNI	1	211148.1	

X - not in standard offer / brak w standardowej ofercie

Claas Jaguar 675

ITEM / POZYCJA	APPLICATION	OPIS	QUANTITY OF V-BELTS IN DRIVE / ILOŚĆ PASÓW W ZESPOLE	OE PART NUMBER / NUMER KATALOGOWY	COMMENT / UWAGI
1			1	629836.0	
2			1	070310.1	
3			1	070953.1	
5			1	609823.0	
6			1	644016.1	
7	FOR HYDRAULIC PUMP	POMPA HYDRAULICZNA	1	750193.2	
8	FOR AIR CONDITIONING	KLIMATYZACJA	1	659025.0	X
9			1	072110.0	
14	FOR ALTERNATOR AT OM 421	ALTERNATOR OM 421	1	133528.0	
15	COOLING AT OM 421	URZĄDZENIE CHŁODZĄCE OM 421	2	133630.1	
15	COOLING AND ALTERNATOR AT OM 360	URZĄDZENIE CHŁODZĄCE I ALTERNATOR OM 421	2	685693.0	

X - not in standard offer / brak w standardowej ofercie

Claas Jaguar 675 HYDRO

ITEM / POZYCJA	APPLICATION	OPIS	QUANTITY OF V-BELTS IN DRIVE / ILOŚĆ PASÓW W ZESPOLE	OE PART NUMBER / NUMER KATALOGOWY	COMMENT / UWAGI
1	FEEDER DRIVE	NAPĘD PRZENOŚNIKA POCHYLNEGO	1	629836.0	
2			1	070310.1	
4			1	070953.1	
5	FOR HYDRAULIC PUMP	POMPA HYDRAULICZNA	1	750193.2	
6	FOR AIR CONDITIONING	KLIMATYZACJA	1	659025.0	X
7			1	176543.1	
9			1	072110.0	
13	FOR ALTERNATOR	ALTERNATOR	1	133528.0	
14	FOR COOLING	URZĄDZENIE CHŁODZĄCE	2	133630.1	

X - not in standard offer / brak w standardowej ofercie



ITEM / POZYCJA	APPLICATION	OPIS	QUANTITY OF V-BELTS IN DRIVE / ILOŚĆ PASÓW W ZESPOLE	OE PART NUMBER / NUMER KATALOGOWY	COMMENT / UWAGI
1	FEEDER DRIVE	NAPĘD PRZENOŚNIKA POCHYLEGO	1	629836.0	
2			1	070310.1	
3			1	070953.1	
5			1	609823.0	
6			1	644016.1	
7	FOR HYDRAULIC PUMP	POMPA HYDRAULICZNA	1	750193.2	
8	FOR AIR CONDITIONING	KLIMATYZACJA	1	659025.0	X
9			1	072110.0	
14	FOR ALTERNATOR AT OM 421	ALTERNATOR OM 421	1	133528.0	
15	COOLING AT OM 421	URZĄDZENIE CHŁODZĄCE OM 421	2	133630.1	
15	COOLING AND ALTERNATOR AT OM 360	URZĄDZENIE CHŁODZĄCE I ALTERNATOR OM 421	2	685693.0	

X - not in standard offer / brak w standardowej ofercie

Claas Jaguar 680 HYDRO

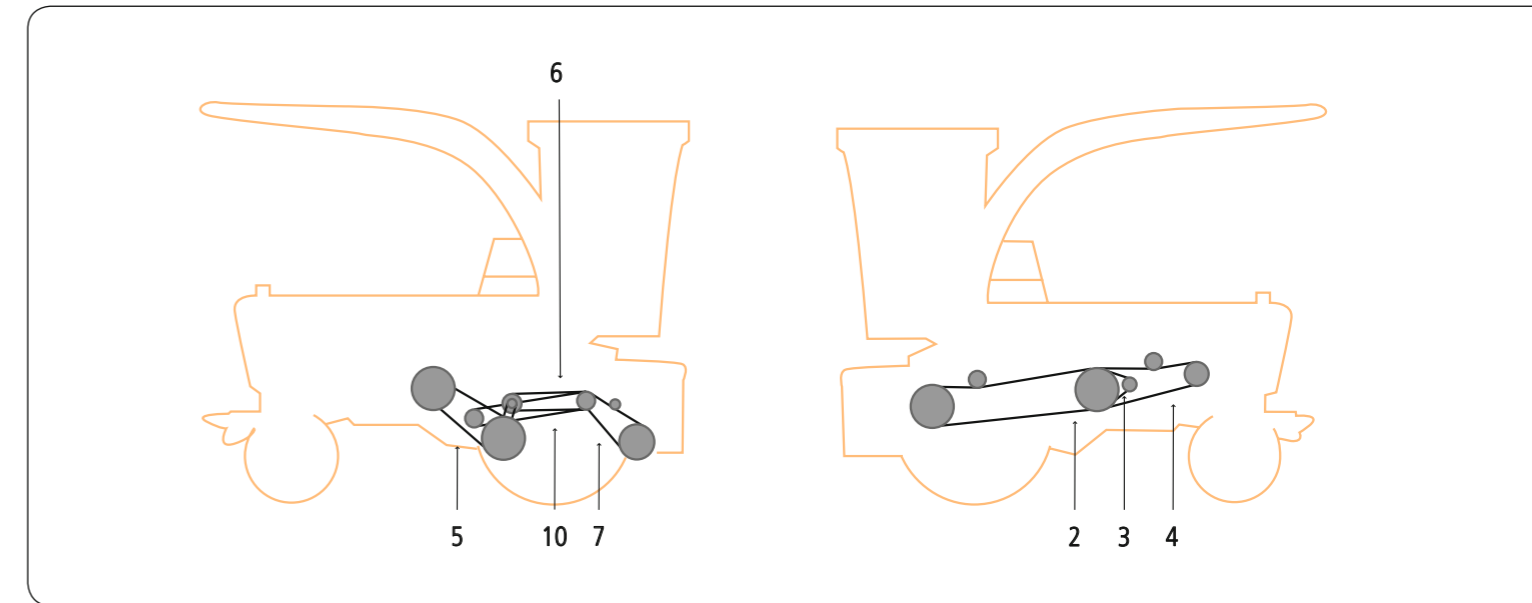
ITEM / POZYCJA	APPLICATION	OPIS	QUANTITY OF V-BELTS IN DRIVE / ILOŚĆ PASÓW W ZESPOLE	OE PART NUMBER / NUMER KATALOGOWY	COMMENT / UWAGI
1			1	629836.0	
2			1	070310.1	
4			1	070953.1	
5	FOR HYDRAULIC PUMP	POMPA HYDRAULICZNA	1	750193.2	
6	FOR AIR CONDITIONING	KLIMATYZACJA	1	659025.0	X
7			1	176543.1	
9			1	072110.0	
13	FOR ALTERNATOR	ALTERNATOR	1	133528.0	
14	FOR COOLING	URZĄDZENIE CHŁODZĄCE	2	133630.1	

X - not in standard offer / brak w standardowej ofercie

Claas Jaguar 682

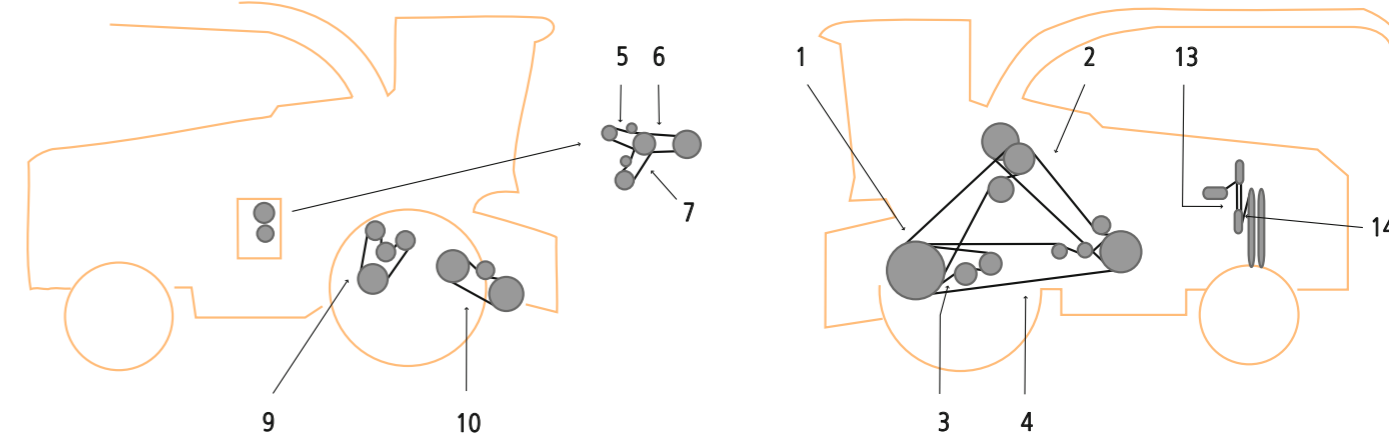
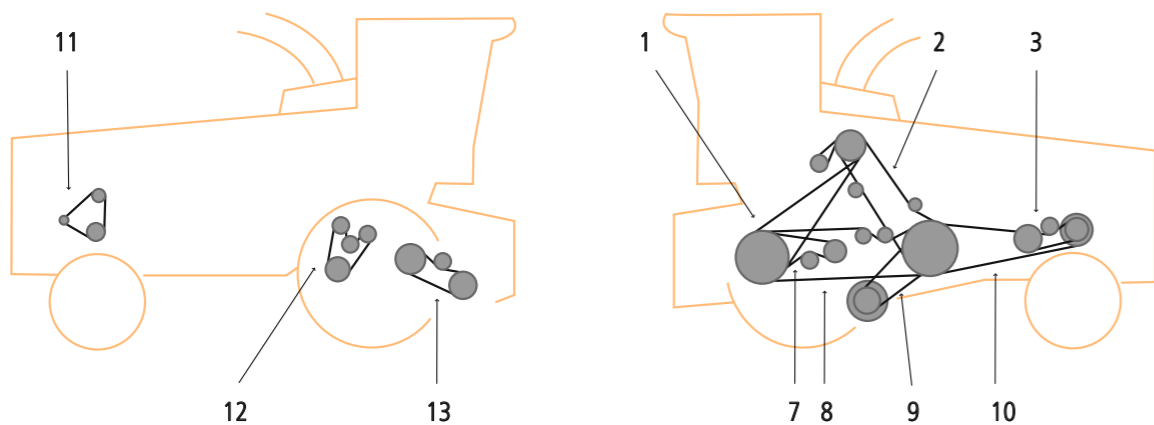
ITEM / POZYCJA	APPLICATION	OPIS	QUANTITY OF V-BELTS IN DRIVE / ILOŚĆ PASÓW W ZESPOLE	OE PART NUMBER / NUMER KATALOGOWY	COMMENT / UWAGI
1			1	629732.2	
2			1	070310.1	
3	FOR HYDRAULIC PUMP TO NO. 18600321	POMPA HYDRAULICZNA DO NUMERU 18600321	1	750294.0	
7			1	629763.0	
8			1	073202.1	
9	AT MECHANICAL GROUND DRIVE	MECHANICZNY NAPĘD JAZDNY	1	629756.0	
9	AT HYDRAULIC GROUND DRIVE	HYDRAULICZNY NAPĘD JEZDNY	1	073203.0	
10	MOTOR - INTERMEDIATE DRIVE FROM NO. 18600322	SILNIK - NAPĘD POŚREDNI OD NUMERU 18600322	1	073199.0	
11	ALTERNATOR MERCEDES FROM NO. 18600322	ALTERNATOR MERCEDES OD NUMERU 18600322	1	133641.0	
11	ALTERNATOR PERKINS TO NO. 18600321	ALTERNATOR PERKINS OD NUMERU 18600321	2	602387.1	
12			1	073204.0	
13	AT 4G - CHAIN DRIVE	DO 4G - NAPĘD ŁAŃCUCHOWY	1	644015.1	

X - not in standard offer / brak w standardowej ofercie



ITEM / POZYCJA	APPLICATION	OPIS	QUANTITY OF V-BELTS IN DRIVE / ILOŚĆ PASÓW W ZESPOLE	OE PART NUMBER / NUMER KATALOGOWY	COMMENT / UWAGI
2	TRACTION DRIVE	NAPĘD JAZDY	1	063309.0	
3	HYDRAULIC PUMP DRIVE	NAPĘD POMPY HYDRAULICZNEJ	1	633030.1	
4	ENGINE	NAPĘD POŚREDNI Z SILNIKA	1	063285.0	
5	TRACTION DRIVE	NAPĘD JAZDY	1	629412.0	
5	TRACTION DRIVE	NAPĘD JAZDY	1	629737.0	
6	FEEDER DRIVE	NAPĘD PRZENOŚNIKA POCHYLEGO	1	618123.0	
7	FEEDER DRIVE	NAPĘD PRZENOŚNIKA POCHYLEGO	1	063940.0	
10	FEEDER DRIVE	NAPĘD PRZENOŚNIKA POCHYLEGO	1	062294.0	

X - not in standard offer / brak w standardowej ofercie

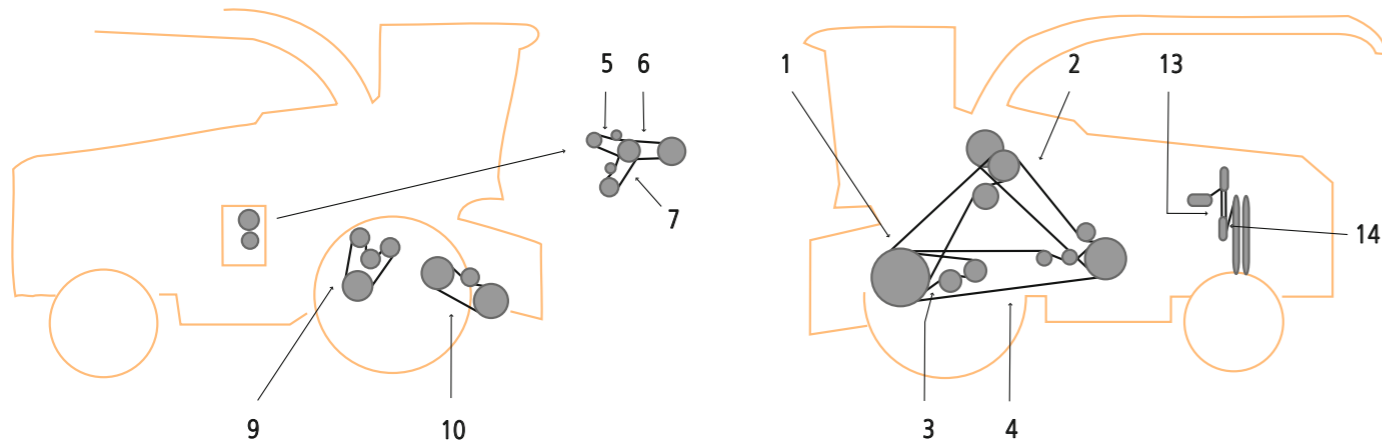


ITEM / POZYCJA	APPLICATION	OPIS	QUANTITY OF V-BELTS IN DRIVE / ILOŚĆ PASÓW W ZESPOLE	OE PART NUMBER / NUMER KATALOGOWY	COMMENT / UWAGI
1	TRACTION DRIVE	NAPĘD JAZDY	1	629732.2	
2	STRAW WALKER DRIVE	NAPĘD WYTRZAŚCZY	1	070310.1	
3	HYDRAULIC PUMP DRIVE	NAPĘD POMPY HYDRAULICZNEJ	1	750294.0	
7	CORN CRACKER DRIVE	NAPĘD ROZDRABNIACZA KUKURYDZY	1	629763.0	
8	THRESHING DRUM	NAPĘD BĘBNA MLÓCĄCEGO	1	073202.0	
9	HYDROSTATIC DRIVE	NAPĘD HYDROSTATYCZNY	1	073203.0	
9	TRACTION DRIVE	NAPĘD JAZDY	1	629756.0	
10	ENGINE	NAPĘD POŚREDNI Z SILNIKA	1	073201.0	
11	ALTERNATOR DRIVE	NAPĘD ALTERNATORA	1	602387.0	
12	CORN CRACKER DRIVE	NAPĘD ROZDRABNIACZA KUKURYDZY	1	073204.0	
13	FEEDER DRIVE	NAPĘD PRZENOŚNIKA POCHYLEGO	1	644015.1	
13	FEEDER DRIVE	NAPĘD PRZENOŚNIKA POCHYLEGO	1	673614.0	

X - not in standard offer / brak w standardowej ofercie

ITEM / POZYCJA	APPLICATION	OPIS	QUANTITY OF V-BELTS IN DRIVE / ILOŚĆ PASÓW W ZESPOLE	OE PART NUMBER / NUMER KATALOGOWY	COMMENT / UWAGI
1	DRUM	NAPĘD MLÓCARNI	2	629836.0	
2	FEEDER DRIVE	NAPĘD PRZENOŚNIKA POCHYLEGO	1	070310.1	
3	LEFT CORN-CRACKER DRIVE		1	629769.0	
4	HEAD DRUM DRIVE	NAPĘD MLÓCARNI	1	070952.2	
5	HYDRAULIC PUMP DRIVE	NAPĘD POMPY HYDRAULICZNEJ	1	750193.2	
6	AIR CONDITIONING COMPRESSOR	NAPĘD KOMPRESORA KLIMATYZACJI	1	659025.0	X
7	HYDRAULIC SPEED DRIVE	NAPĘD HYDRAULICZNY	1	673625.0	
7	HYDRAULIC SPEED DRIVE	NAPĘD HYDRAULICZNY	1	176543.0	
9	RIGHT CORN - CRACKER DRIVE		1	072110.0	
10	CHOPPER DRIVE	NAPĘD PRZYSTAWKI	1	673614.0	
13	ALTERNATOR DRIVE	NAPĘD ALTERNATORA	1	133528.0	
14	COOLING FAN	NAPĘD POMPY WODNEJ	2	133630.0	
15	FOR COMBINE PLATFORM		1	673614.0	

X - not in standard offer / brak w standardowej ofercie



ITEM / POZYCJA	APPLICATION	OPIS	QUANTITY OF V-BELTS IN DRIVE / ILOŚĆ PASÓW W ZESPOLE	OE PART NUMBER / NUMER KATALOGOWY	COMMENT / UWAGI
1	DRUM	NAPĘD MŁOCARNI	2	629836.0	
2	FEEDER DRIVE	NAPĘD PRZENOŚNIKA POCHYLEGO	1	070310.1	
3	ALTERNATOR DRIVE	NAPĘD ALTERNATORA	1	133528.0	
4	COOLING FAN	NAPĘD POMPY WODNEJ	2	133630.0	
5	CORN CRACKER DRIVE	NAPĘD ROZDRABNIACZA KUKURYDZY	1	629763.0	
6	HEAD DRUM DRIVE	NAPĘD MŁOCARNI	1	070952.2	
6	HEAD DRUM DRIVE	NAPĘD MŁOCARNI	1	074771.1	
6	HEAD DRUM DRIVE	NAPĘD MŁOCARNI	1	074803.1	
7	HYDRAULIC PUMP DRIVE	NAPĘD POMPY HYDRAULICZNEJ	1	750193.2	
8	AIR CONDITIONING COMPRESSOR	NAPĘD KOMPRESORA KLIMATYZACJI	1	659025.0	X
9	TRACTION DRIVE	NAPĘD JAZDY	1	176543.0	
10	CORN CRACKER DRIVE	NAPĘD ROZDRABNIACZA KUKURYDZY	1	073204.0	
11	FEEDER DRIVE	NAPĘD PRZENOŚNIKA POCHYLEGO	1	673614.0	
15	FOR COMBINE PLATFORM		1	673614.0	

X - not in standard offer / brak w standardowej ofercie

ITEM / POZYCJA	APPLICATION	OPIS	QUANTITY OF V-BELTS IN DRIVE / ILOŚĆ PASÓW W ZESPOLE	OE PART NUMBER / NUMER KATALOGOWY	COMMENT / UWAGI
1			1	629732.2	
2			1	070310.1	
4			1	629763.0	
5			1	073202.1	
6	AT MECHANICAL GROUND DRIVE	MECHANICZNY NAPĘD JAZDNY	1	629756.0	
6	AT HYDRAULIC GROUND DRIVE	HYDRAULICZNY NAPĘD JEZDNY	1	073203.0	
7	MOTOR - INTERMEDIATE DRIVE	SILNIK - NAPĘD POŚREDNI	1	073199.0	
8	FOR AIR CONDITIONING	KLIMATYZACJA	1	667560.1	
9	FOR ALTERNATOR	ALTERNATOR	1	133641.0	
10			1	073204.0	
11	FOR FEEDER HOUSING	ZESPOŁ PRZENOŚNIKA POCHYLNEGO	1	673614.1	

X - not in standard offer / brak w standardowej ofercie

Claas Jaguar 820

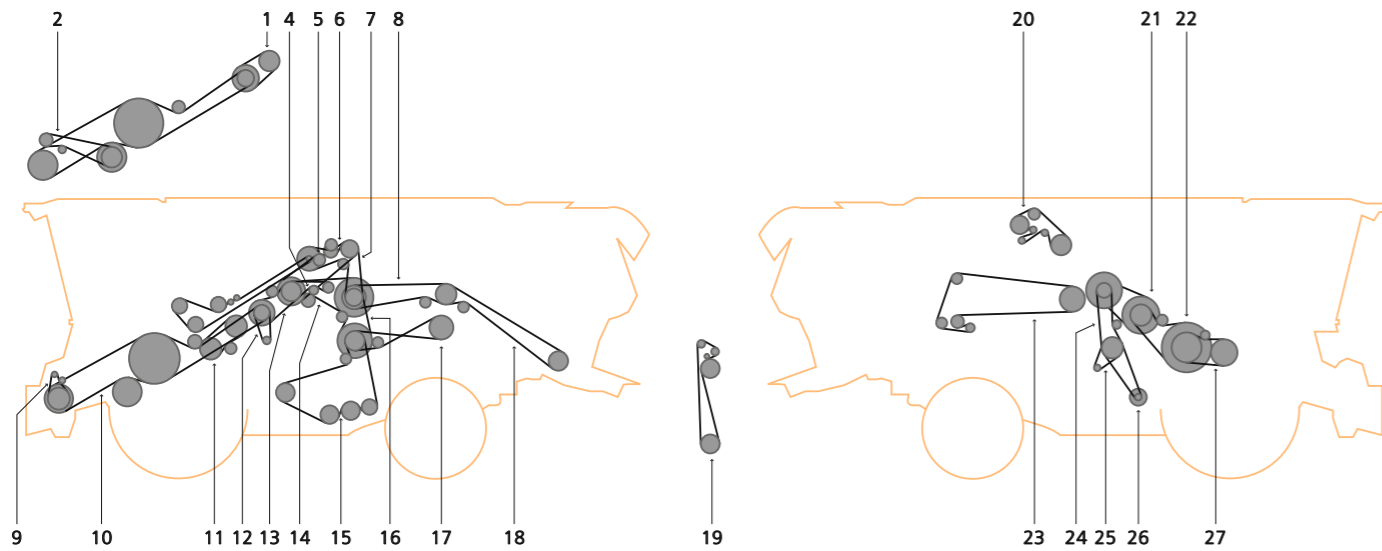
ITEM / POZYCJA	APPLICATION	OPIS	QUANTITY OF V-BELTS IN DRIVE / ILOŚĆ PASÓW W ZESPOLE	OE PART NUMBER / NUMER KATALOGOWY	COMMENT / UWAGI
1	MAIN DRIVE	NAPĘD GŁÓWNY	1	077797.0	
2	ALTERNATOR DRIVE	NAPĘD ALTERNATORA	1	512087.0	
3	COMPRESSOR DRIVE	NAPĘD KOMPRESORA	1	052393.1	
4	FAN DRIVE	NAPĘD WENTYLATORA	1	077400.0	
5	CLEANING FAN DRIVE	NAPĘD WIALNI CZYSZCZĄCEJ	1	077276.0	

X - not in standard offer / brak w standardowej ofercie

Claas Jaguar 830

ITEM / POZYCJA	APPLICATION	OPIS	QUANTITY OF V-BELTS IN DRIVE / ILOŚĆ PASÓW W ZESPOLE	OE PART NUMBER / NUMER KATALOGOWY	COMMENT / UWAGI
1	MAIN DRIVE	NAPĘD GŁÓWNY	1	067745.0	
3			1	076403.1	
3			1	067789.0	
4	CHOPPER DRIVE	NAPĘD PRZENOŚNIKA POCHYLNEGO	1	984885.0	
4	CHOPPER DRIVE	NAPĘD PRZENOŚNIKA POCHYLNEGO	1	987883.0	

X - not in standard offer / brak w standardowej ofercie



ITEM / POZYCJA	APPLICATION	OPIS	QUANTITY OF V-BELTS IN DRIVE / ILOŚĆ PASÓW W ZESPOLE	OE PART NUMBER / NUMER KATALOGOWY	COMMENT / UWAGI
1	MAIN DRIVE	NAPĘD GŁÓWNY	1	077796.0	
2	ALTERNATOR DRIVE	NAPĘD ALTERNATORA	1	512087.0	
3	COMPRESSOR DRIVE	NAPĘD KOMPRESORA	1	052393.1	
4	FAN DRIVE	NAPĘD WENTYLATORA	1	077400.0	
5	CLEANING FAN DRIVE	NAPĘD WIALNI CZYSZCZĄCEJ	1	077276.0	
6			1	076403.1	

X - not in standard offer / brak w standardowej ofercie

ITEM / POZYCJA	APPLICATION	OPIS	QUANTITY OF V-BELTS IN DRIVE / ILOŚĆ PASÓW W ZESPOLE	OE PART NUMBER / NUMER KATALOGOWY	COMMENT / UWAGI
1			1	665833.0	X
2			1	665999.2	X
4			1	746508.3	X
5			1	660587.0	X
6			1	660762.1	X
7			1	660315.0	
8			1	644889.0	
9			1	325728.0	X
10			1	665798.0	X
10			1	665827.1	X
11			1	667249.0	
12			1	746508.3	X
12			1	775698.0	
13			1	665957.1	X
14			1	644209.2	X
15			1	667651.0	
16			1	667252.0	
17			1	670796.0	X
18			1	628888.0	
18			1	670723.0	X
19			1	539443.0	X
20			1	628964.1	X
21			1	667248.0	
21			1	744965.0	X
22			1	176442.1	
22			1	644965.0	
23			1	628991.0	
24			1	746506.0	
25			1	660962.0	X
26			1	667457.0	
27			1	667251.1	

X - not in standard offer / brak w standardowej ofercie

ITEM / POZYCJA	APPLICATION	OPIS	QUANTITY OF V-BELTS IN DRIVE / ILOŚĆ PASÓW W ZESPOLE	OE PART NUMBER / NUMER KATALOGOWY	COMMENT / UWAGI
1	MAIN DRIVE	NAPĘD GŁÓWNY	1	067746.0	
3			1	076403.1	
3			1	067789.0	
4	CHOPPER DRIVE	NAPĘD PRZENOŚNIKA POCHYLNEGO	1	984885.0	
4	CHOPPER DRIVE	NAPĘD PRZENOŚNIKA POCHYLNEGO	1	987883.0	

X - not in standard offer / brak w standardowej ofercie

ITEM / POZYCJA	APPLICATION	OPIS	QUANTITY OF V-BELTS IN DRIVE / ILOŚĆ PASÓW W ZESPOLE	OE PART NUMBER / NUMER KATALOGOWY	COMMENT / UWAGI
1	MAIN DRIVE	NAPĘD GŁÓWNY	1	067746.0	
3			1	076403.1	
3			1	067789.0	
4	CHOPPER DRIVE	NAPĘD PRZENOŚNIKA POCHYLNEGO	1	984885.0	
4	CHOPPER DRIVE	NAPĘD PRZENOŚNIKA POCHYLNEGO	1	987883.0	

X - not in standard offer / brak w standardowej ofercie

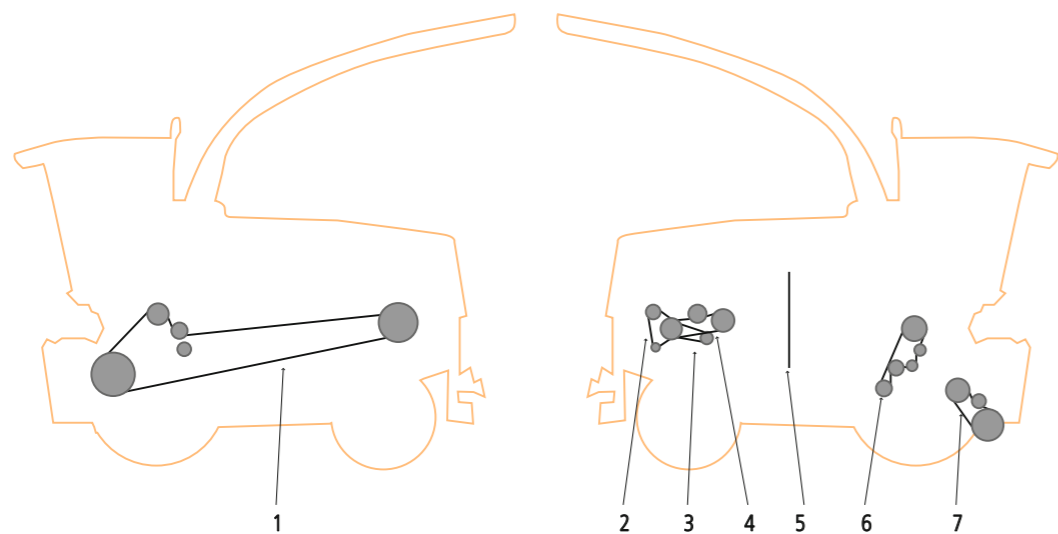
ITEM / POZYCJA	APPLICATION	OPIS	QUANTITY OF V-BELTS IN DRIVE / ILOŚĆ PASÓW W ZESPOLE	OE PART NUMBER / NUMER KATALOGOWY	COMMENT / UWAGI
1	MAIN DRIVE	NAPĘD GŁÓWNY	1	067746.0	
3			1	076403.1	
3			1	067789.0	
4	CHOPPER DRIVE	NAPĘD PRZENOŚNIKA POCHYLNEGO	1	984885.0	
4	CHOPPER DRIVE	NAPĘD PRZENOŚNIKA POCHYLNEGO	1	987883.0	

X - not in standard offer / brak w standardowej ofercie

ITEM / POZYCJA	APPLICATION	OPIS	QUANTITY OF V-BELTS IN DRIVE / ILOŚĆ PASÓW W ZESPOLE	OE PART NUMBER / NUMER KATALOGOWY	COMMENT / UWAGI
1	MAIN DRIVE	NAPĘD GŁÓWNY	1	067746.0	
3			1	076403.1	
3			1	067789.0	
4	CHOPPER DRIVE	NAPĘD PRZENOŚNIKA POCHYLNEGO	1	984885.0	
4	CHOPPER DRIVE	NAPĘD PRZENOŚNIKA POCHYLNEGO	1	987883.0	

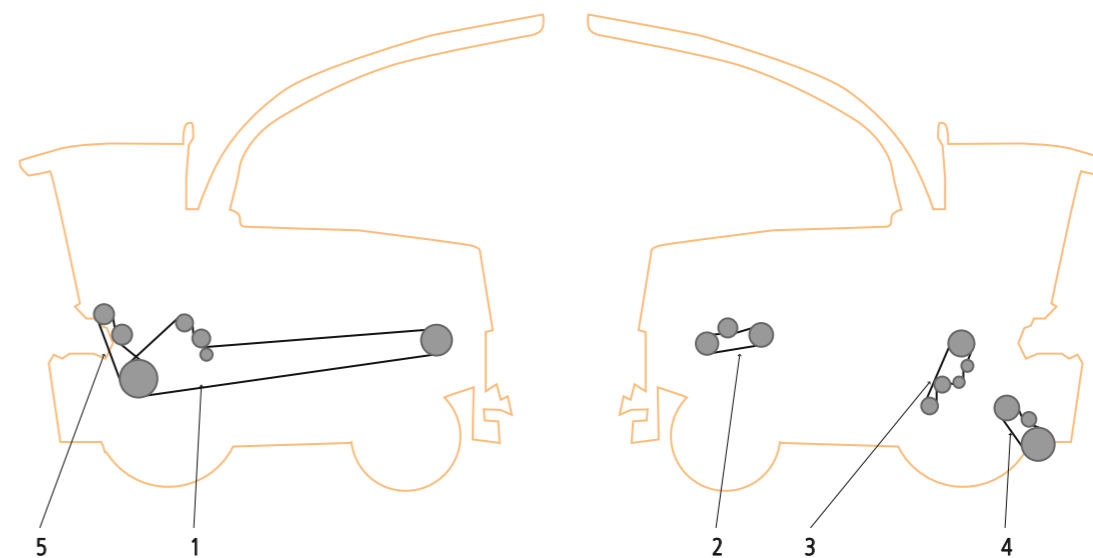
X - not in standard offer / brak w standardowej ofercie





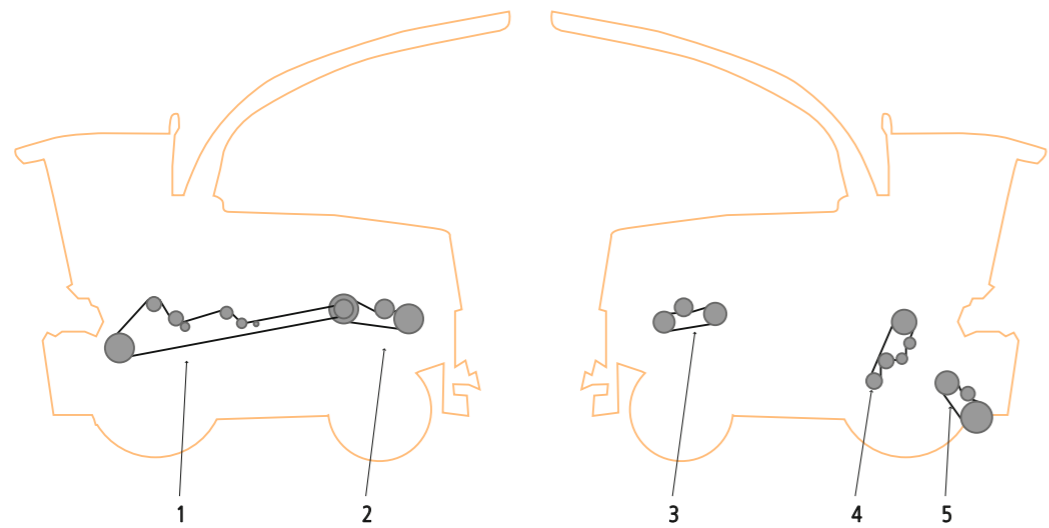
ITEM / POZYCJA	APPLICATION	OPIS	QUANTITY OF V-BELTS IN DRIVE / ILOŚĆ PASÓW W ZESPOLE	OE PART NUMBER / NUMER KATALOGOWY	COMMENT / UWAGI
1			1	076401.0	
1	MAIN DRIVE	NAPĘD GŁÓWNY	1	077796.0	
2	GENERATOR	NAPĘD GENERATORA	1	512087.0	
3	COMPRESSOR	NAPĘD KOMPRESORA	1	052393.1	
4			2	742206.0	
4	AIR FAN	NAPĘD WENTYLATORA	1	077400.0	
5	CLEANING FAN DRIVE	NAPĘD WIALNI CZYSZCZĄCEJ	1	077276.0	
6	CORN CRACKER DRIVE	NAPĘD ROZDRABNIACZA KUKURYDZY	1	076403.1	
7			1	984885.0	

X - not in standard offer / brak w standardowej ofercie



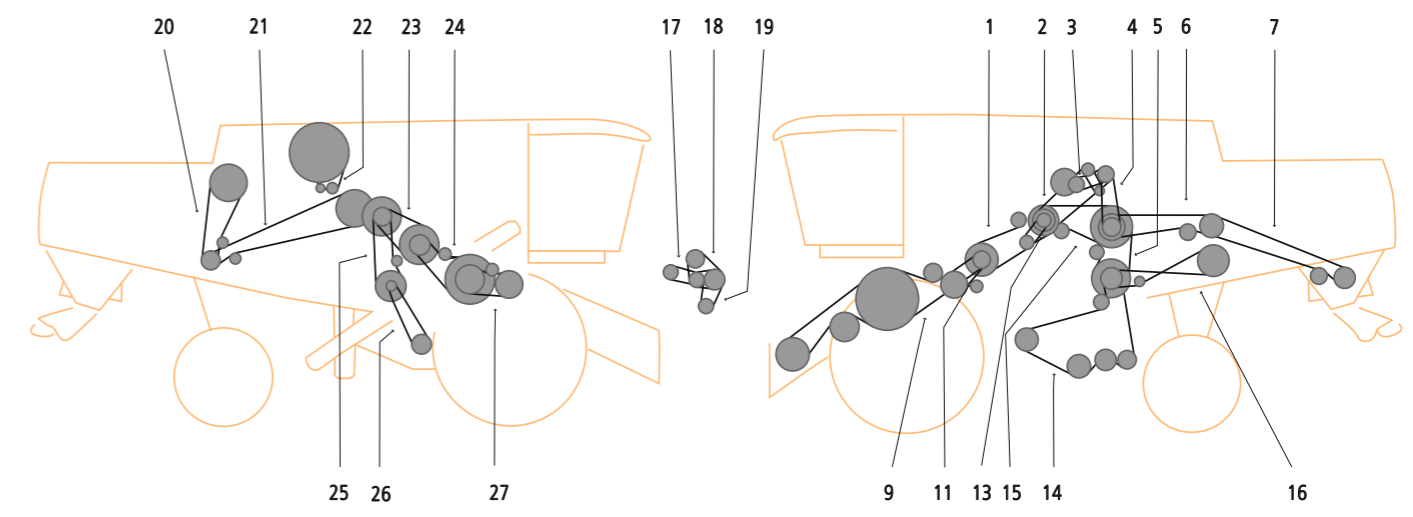
ITEM / POZYCJA	APPLICATION	OPIS	QUANTITY OF V-BELTS IN DRIVE / ILOŚĆ PASÓW W ZESPOLE	OE PART NUMBER / NUMER KATALOGOWY	COMMENT / UWAGI
1			1	067747.1	
1			1	067745.0	
1			1	067746.0	
2			1	067289.0	X
2			1	067290.0	X
2			1	142232.0	X
3	CORN CRACKER DRIVE	NAPĘD ROZDRABNIACZA KUKURYDZY	1	076403.1	
3			1	067789.0	
4			1	629769.1	
4			1	984885.0	
4			1	987883.0	
5			1	495067.1	
1			1	090266.0	X

X - not in standard offer / brak w standardowej ofercie



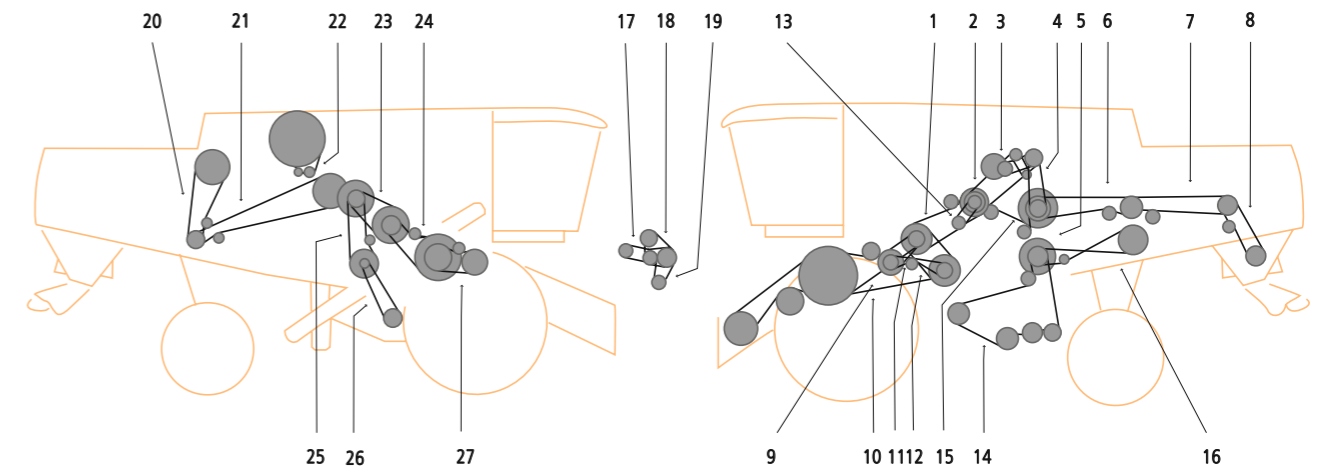
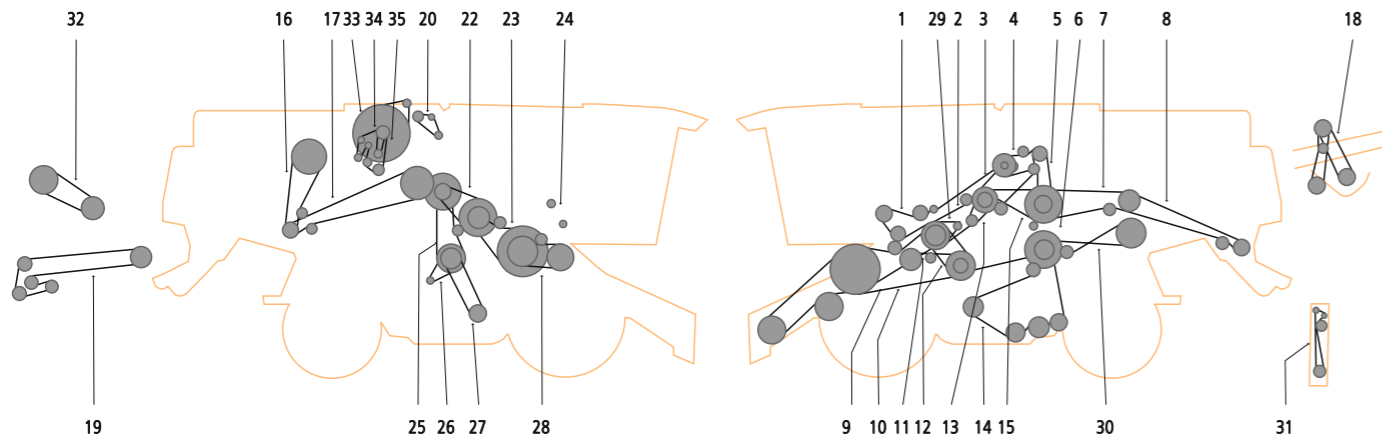
ITEM / POZYCJA	APPLICATION	OPIS	QUANTITY OF V-BELTS IN DRIVE / ILOŚĆ PASÓW W ZESPOLE	OE PART NUMBER / NUMER KATALOGOWY	COMMENT / UWAGI
1			1	090266.0	X
1			1	090267.0	X
1			1	140756.0	X
2			1	140755.0	X
3			1	742026.1	
3			1	140765.0	X
4			1	090255.0	X
4			1	090256.1	X
5			1	629769.1	

X - not in standard offer / brak w standardowej ofercie



ITEM / POZYCJA	APPLICATION	OPIS	QUANTITY OF V-BELTS IN DRIVE / ILOŚĆ PASÓW W ZESPOLE	OE PART NUMBER / NUMER KATALOGOWY	COMMENT / UWAGI
0	THRESHING DRUM DRIVE	NAPĘD BĘBNA MŁÓCĄCEGO	1	667248.0	
0	KNIFE DRIVE	NAPĘD KOSY	1	742025.0	
0	REEL DRIVE	NAPĘD MOTOWIDŁA	1	670244.1	X
1	CUTTERBAR DRIVE	NAPĘD POŚREDNI HEDERA	1	667947.0	
2	THRESHING MACHINE	NAPĘD MŁOCARNI	1	667680.0	
3	UNLOADER DRIVE	NAPĘD WYSYPY	1	667681.0	
4	STRAW CHOPPER DRIVE. 1 STAGE	NAPĘD ROZDRABNIACZA SŁOMY (1 STOPIEŃ)	1	667981.2	
5	SIEVE PAN DRIVE. 2 STAGE	NAPĘD KOSZA SITOWEGO (2 STOPIEŃ)	1	667252.0	
6	STRAW CHOPPER DRIVE. 2 STAGE	NAPĘD ROZDRABNIACZA SŁOMY (2 STOPIEŃ)	1	667683.0	
7	STRAW CHOPPER DRIVE. 3 STAGE	NAPĘD ROZDRABNIACZA SŁOMY (3 STOPIEŃ)	1	644771.0	
9	CUTTERBAR DRIVE	NAPĘD POŚREDNI HEDERA (2 STOPIEŃ)	2	667454.0	
11	IMPELLER DRUM DRIVE	NAPĘD ODRZUTNIKA	1	667249.0	
13	HYDRAULIC PUMP DRIVE	NAPĘD POMPY HYDRAULICZNEJ	1	758719.0	
14	SIEVE PAN DRIVE. 3 STAGE	NAPĘD KOSZA SITOWEGO (3 STOPIEŃ)	1	667651.0	
15	SIEVE PAN DRIVE. 1 STAGE	NAPĘD KOSZA SITOWEGO (1 STOPIEŃ)	1	644209.0	
16	STRAW WALKER DRIVE	NAPĘD WYTRZĄSACZY	1	667477.0	
17	AIR CONDITIONING COMPRESSOR	NAPĘD KOMPRESORA KLIMATYZACJI	1	667560.1	
18	FAN AND ROTARY SCREEN DRIVE	NAPĘD WENTYLATORA CHŁODNICY	1	667242.0	
19	ALTERNATOR DRIVE	NAPĘD ALTERNATORA	1	667673.0	
20	REAR AGIATATOR DRIVE	NAPĘD TYLNEGO RAFFERA	1	667973.0	
21	FRONT AGIATATOR	NAPĘD PRZEDNIEGO RAFFERA	1	667974.0	
22	ROTARY SCREEN DRIVE	NAPĘD KOSZA CHŁODNICY	1	667561.1	
23	THRESHING DRUM	NAPĘD BĘBNA MŁÓCĄCEGO	1	661427.0	X
24	CYLINDER DRIVE	NAPĘD BĘBNA MŁÓCĄCEGO	1	667934.0	
25	CLEANING FAN DRIVE (1 STAGE)	NAPĘD WIALNI CZYSZCZĄCEJ (1 STOPIEŃ)	1	667957.0	
26	FAN INTERMEDIATE DRIVE	NAPĘD POŚREDNI WIALNI	1	667457.0	
27	THRESHING DRUM DRIVE	NAPĘD PRZEKŁADNI BĘBNA MŁÓCĄCEGO	1	667251.0	

X - not in standard offer / brak w standardowej ofercie

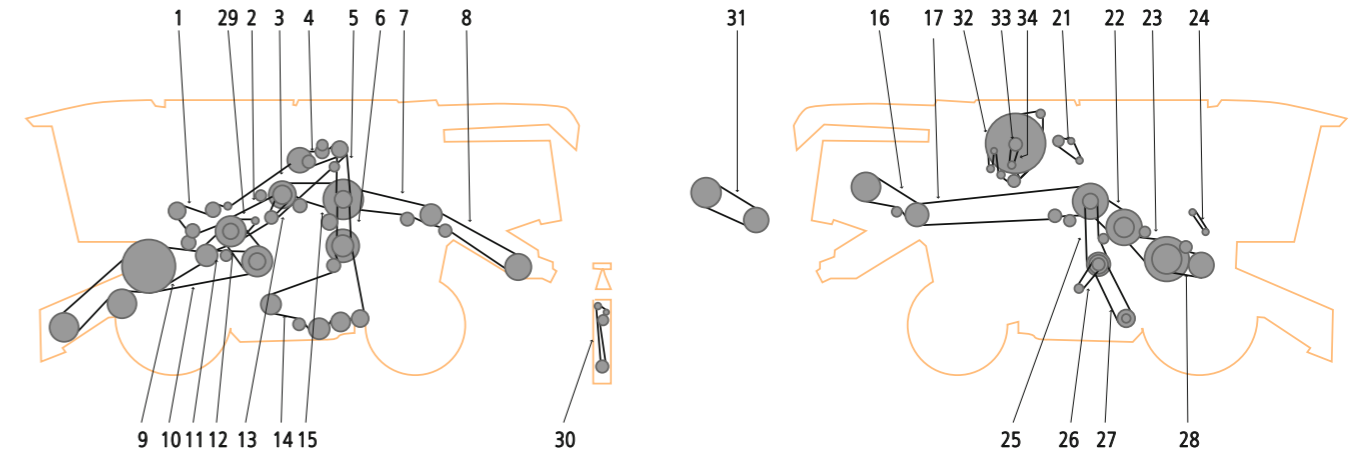
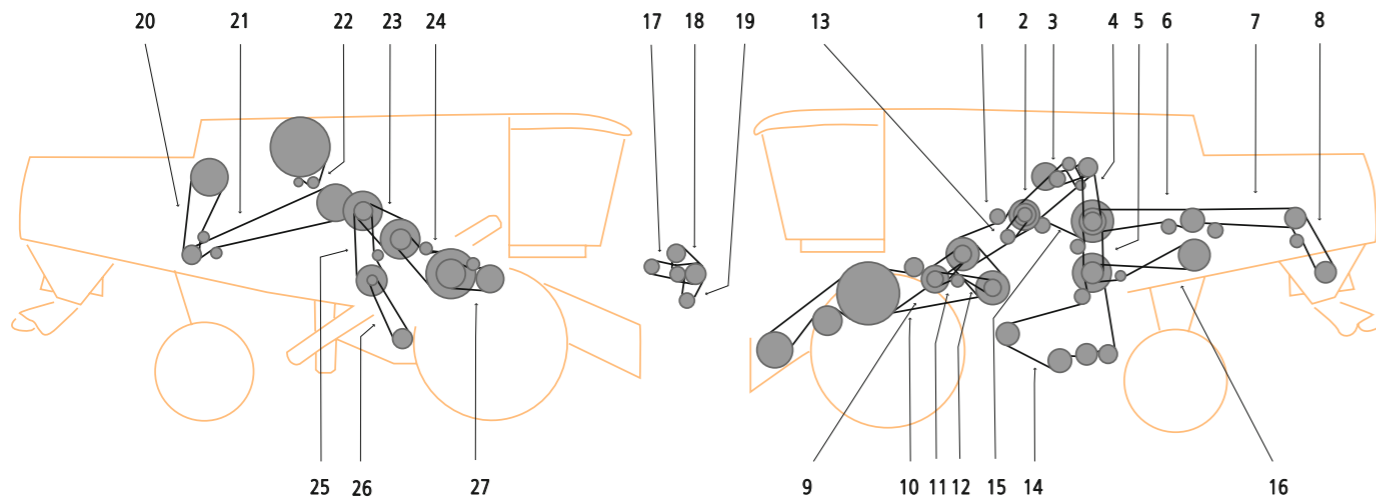


ITEM / POZYCJA	APPLICATION	OPIS	QUANTITY OF V-BELTS IN DRIVE / ILOŚĆ PASÓW W ZESPOLE	OE PART NUMBER / NUMER KATALOGOWY	COMMENT / UWAGI
1			1	755537.0	X
1			1	758711.0	X
2	CLUTCH FOR CUTTERBAR DRIVE	NAPĘD POŚREDNI HEDERU	1	667255.0	
3			1	352371.1	
4	GRAIN TANK UNLOADING	NAPĘD ZESPOŁU WYSYPU ZBIORNIKA ZBOŻOWEGO	1	667250.0	
5			1	667958.3	
6	SIEVE PAN DRIVE	NAPĘD KOSZA SITOWEGO	1	667252.0	
7			1	667683.1	
8			1	667683.1	
8	KNIFE DRIVE	NAPĘD KOSY	1	061701.2	
9	CUTTERBAR DRIVE	NAPĘD POŚREDNI HEDERA	2	667454.0	
10			2	667551.1	
11	IMPELLER DRUM DRIVE	NAPĘD WSTECZNY ODRZUTNIKA	1	667249.0	
12	CUTTERBAR VARIABLE SPEED DRIVE	NAPĘD POŚREDNI HEDERA	1	667530.1	X
13	RADIATOR FAN	NAPĘD WENTYLATORA CHŁODNICY	1	758719.0	
14			1	667651.0	
15			1	644209.0	
16	REAR AGIATATOR DRIVE	NAPĘD TYLNEGO RAFFERA	1	667973.0	
17	FRONT AGIATATOR	NAPĘD PRZEDNIEGO RAFFERA	1	667974.0	
18	STRAW CHOPPER	NAPĘD POŚREDNI ROZDRABNIACZA SŁOMY	1	667684.0	
19			1	509035.1	
20			1	754315.1	X
22	THRESHING DRUM DRIVE	NAPĘD BĘBNA MŁÓCĄCEGO	1	667248.0	
22	THRESHING DRUM DRIVE	NAPĘD BĘBNA MŁÓCĄCEGO	1	661427.0	X
23			1	176442.1	
23			1	644902.0	
24			1	642492.0	X
25	FAN DRIVE	NAPĘD WENTYLATORA	1	742026.0	
25	FAN DRIVE	NAPĘD WENTYLATORA	1	667957.0	
26			1	644781.0	
26			1	644843.0	
27	FAN INTERMEDIATE DRIVE	NAPĘD POŚREDNI WIALNI	1	667457.0	
28			1	667251.1	
29			1	829094.0	
30	STRAW WALKER DRIVE	NAPĘD WYTRZĄSĄCZY	1	667477.0	
31			1	539443.0	X
32	THRESHING DRUM DRIVE	NAPĘD BĘBNA MŁÓCĄCEGO	1	667248.0	
33			1	545689.0	
34			1	796475.0	X
35			1	796450.0	X

X - not in standard offer / brak w standardowej ofercie

ITEM / POZYCJA	APPLICATION	OPIS	QUANTITY OF V-BELTS IN DRIVE / ILOŚĆ PASÓW W ZESPOLE	OE PART NUMBER / NUMER KATALOGOWY	COMMENT / UWAGI
0	STRAW SPREADER DRIVE	NAPĘD ROZTRZĄSACZA SŁOMY	1	539433.0	X
0	ROTARY SCREEN DRIVE	NAPĘD KOSZA CHŁODNICY	1	667456.0	
0	KNIFE DRIVE	NAPĘD KOSY	1	742025.0	
0	REEL DRIVE	NAPĘD MOTOWIDŁA	1	670244.1	X
1	CLUTCH FOR CUTTERBAR DRIVE	NAPĘD POSREDNI HEDERU	1	667255.0	
2	THRESHING MACHINE	NAPĘD MŁOCARNI	1	667680.0	
3	UNLOADER DRIVE	NAPĘD WYSYPU	1	667681.0	
4	STRAW CHOPPER DRIVE. 1 STAGE	NAPĘD ROZDRABNIACZA SŁOMY (1 STOPIEŃ)	1	667981.2	
5	SIEVE PAN DRIVE. 2 STAGE	NAPĘD KOSZA SITOWEGO (2 STOPIEŃ)	1	667252.0	
6	STRAW CHOPPER DRIVE. 2 STAGE	NAPĘD ROZDRABNIACZA SŁOMY (2 STOPIEŃ)	1	667633.0	X
7	STRAW CHOPPER DRIVE. 3 STAGE	NAPĘD ROZDRABNIACZA SŁOMY (3 STOPIEŃ)	1	667683.0	
8	STRAW CHOPPER DRIVE. 4 STAGE	NAPĘD ROZDRABNIACZA SŁOMY (4 STOPIEŃ)	1	667684.0	
9	CUTTERBAR DRIVE. WITHOUT VARI-DRIVE	NAPĘD POŚREDNI HEDERA	2	667454.0	
10	CUTTERBAR DRIVE. WITHOUT VARI-DRIVE	NAPĘD POŚREDNI HEDERA	2	667551.0	
11	IMPELLER DRUM DRIVE	NAPĘD ODRZUTNIKA	1	667249.0	
12	CUTTERBAR VARIABLE SPEED DRIVE	NAPĘD POŚREDNI HEDERA	1	667530.0	X
13	HYDRAULIC PUMP DRIVE	NAPĘD POMPY HYDRAULICZNEJ	1	758719.0	
14	SIEVE PAN DRIVE. 3 STAGE	NAPĘD KOSZA SITOWEGO (3 STOPIEŃ)	1	667651.0	
15	SIEVE PAN DRIVE. 1 STAGE	NAPĘD KOSZA SITOWEGO (1 STOPIEŃ)	1	644209.0	
16	STRAW WALKER DRIVE	NAPĘD WYTRZĄSĄCZY	1	667477.0	
17	AIR CONDITIONING COMPRESSOR	NAPĘD KOMPRESORA KLIMATYZACJI	1	667560.1	
18	FAN AND ROTARY SCREEN DRIVE	NAPĘD WENTYLATORA CHŁODNICY	1	667242.0	
19	ALTERNATOR DRIVE	NAPĘD ALTERNATORA	1	667673.0	
20	REAR AGIATATOR DRIVE	NAPĘD TYLNEGO RAFFERA	1	667973.0	
21	FRONT AGIATATOR	NAPĘD PRZEDNIEGO RAFFERA	1	667974.0	
22	ROTARY SCREEN DRIVE	NAPĘD KOSZA CHŁODNICY	1	667561.1	
23	THRESHING DRUM DRIVE	NAPĘD BĘBNA MŁÓCĄCEGO	1	667248.0	
24	THRESHING DRUM DRIVE	NAPĘD PRZEKŁADNI BĘBNA MŁÓCĄCEGO	1	667458.0	
25	CLEANING FAN DRIVE (1 STAGE)	NAPĘD WIALNI CZYSZCZĄCEJ (1 STOPIEŃ)	1	742026.0	
26	CLEANING FAN DRIVE (1 STAGE)	NAPĘD WIALNI CZYSZCZĄCEJ (1 STOPIEŃ)	1	667457.0	
27	SPEED REDUCING GEAR BOX	NAPĘD PRZEKŁADNI BĘBNA MŁÓCĄCEGO	1	667251.0	

X - not in standard offer / brak w standardowej ofercie

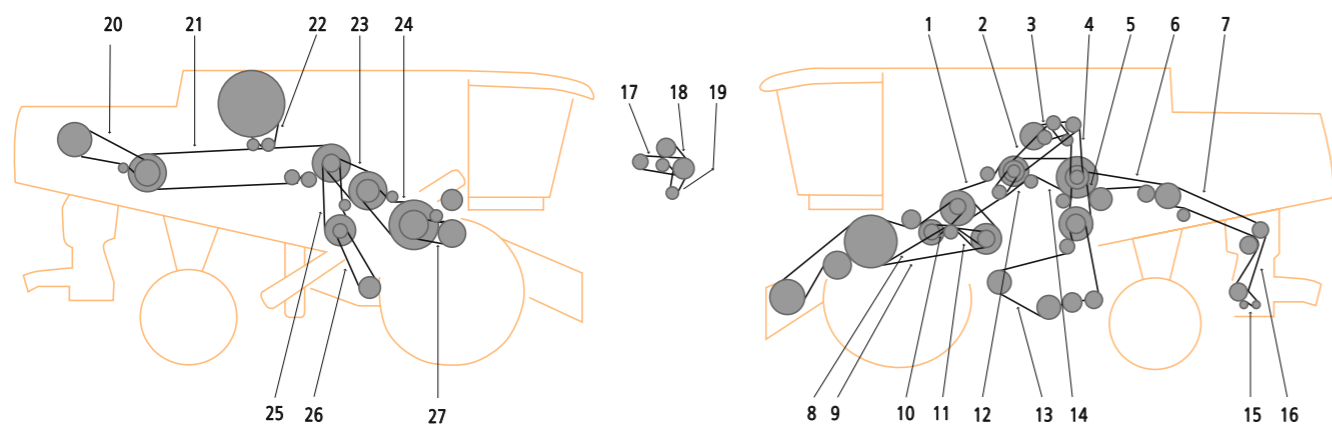


ITEM / POZYCJA	APPLICATION	OPIS	QUANTITY OF V-BELTS IN DRIVE / ILOŚĆ PASÓW W ZESPOLE	OE PART NUMBER / NUMER KATALOGOWY	COMMENT / UWAGI
0	REEL DRIVE	NAPĘD MOTOWIDŁA	1	670244.1	X
0	KNIFE DRIVE	NAPĘD KOSY	1	742025.0	
1	CLUTCH FOR CUTTERBAR DRIVE	NAPĘD POŚREDNI HEDERU	1	667255.0	
2	THRESHING MACHINE	NAPĘD MŁOCARNI	1	667453.0	
3	UNLOADER DRIVE	NAPĘD WYSYPU	1	667250.0	
4	STRAW CHOPPER DRIVE. 1 STAGE	NAPĘD ROZDRABNIACZA SŁOMY (1 STOPIEŃ)	1	667958.2	
5	SIEVE PAN DRIVE. 2 STAGE	NAPĘD KOSZA SITOWEGO (2 STOPIEŃ)	1	667252.0	
6	STRAW CHOPPER DRIVE. 2 STAGE	NAPĘD ROZDRABNIACZA SŁOMY (2 STOPIEŃ)	1	061700.1	
7	STRAW CHOPPER DRIVE. 3 STAGE	NAPĘD ROZDRABNIACZA SŁOMY (3 STOPIEŃ)	1	061700.1	
8	STRAW CHOPPER DRIVE. 4 STAGE	NAPĘD ROZDRABNIACZA SŁOMY (4 STOPIEŃ)	1	661093.0	
9	CUTTERBAR DRIVE. WITHOUT VARI-DRIVE	NAPĘD POŚREDNI HEDERA	2	667454.0	
10	CUTTERBAR DRIVE. WITH VARI-DRIVE	NAPĘD POŚREDNI HEDERA	2	667551.0	
11	IMPELLER DRUM DRIVE	NAPĘD ODRZUTNIKA	1	667249.0	
12	CUTTERBAR VARIABLE SPEED DRIVE	NAPĘD POŚREDNI HEDERA	1	667530.0	X
13	HYDRAULIC PUMP DRIVE	NAPĘD POMPY HYDRAULICZNEJ	1	758719.0	
14	SIEVE PAN DRIVE. 3 STAGE	NAPĘD KOSZA SITOWEGO (3 STOPIEŃ)	1	667651.0	
15	SIEVE PAN DRIVE. 1 STAGE	NAPĘD KOSZA SITOWEGO (1 STOPIEŃ)	1	644209.0	
16	STRAW WALKER DRIVE	NAPĘD WYTRZĄSACZY	1	667477.0	
17	AIR CONDITIONING COMPRESSOR	NAPĘD KOMPRESORA KLIMATYZACJI	1	667560.1	
18	FAN AND ROTARY SCREEN DRIVE	NAPĘD WENTYLATORA CHŁODNICY	1	667242.0	
19	ROTARY SCREEN DRIVE	NAPĘD KOSZA CHŁODNICY	1	667456.0	
20	REAR AGIATATOR DRIVE	NAPĘD TYLNEGO RAFFERA	1	667973.0	
21	FRONT AGIATATOR	NAPĘD PRZEDNIEGO RAFFERA	1	667974.0	
22	ROTARY SCREEN DRIVE	NAPĘD KOSZA CHŁODNICY	1	667561.1	
23	THRESHING DRUM DRIVE	NAPĘD BĘBNA MŁÓCĄCEGO	1	667248.0	
24	THRESHING DRUM DRIVE	NAPĘD PRZEKŁADNI BĘBNA MŁÓCĄCEGO	1	667458.0	
25	CLEANING FAN DRIVE (1 STAGE)	NAPĘD WIALNI CZYSZCZĄCEJ (1 STOPIEŃ)	1	742026.0	
26	FAN INTERMEDIATE DRIVE	NAPĘD POŚREDNI WIALNI	1	667457.0	
27	SPEED REDUCING GEAR BOX	NAPĘD PRZEKŁADNI BĘBNA MŁÓCĄCEGO	1	667251.0	

X - not in standard offer / brak w standardowej ofercie

ITEM / POZYCJA	APPLICATION	OPIS	QUANTITY OF V-BELTS IN DRIVE / ILOŚĆ PASÓW W ZESPOLE	OE PART NUMBER / NUMER KATALOGOWY	COMMENT / UWAGI
1			1	755508.0	X
1			1	758710.0	X
2	CLUTCH FOR CUTTERBAR DRIVE	NAPĘD POŚREDNI HEDERU	1	667255.0	
3			1	352403.0	
4	GRAIN TANK UNLOADING	NAPĘD ZESPOŁU WYSYPU ZBIORNIKA ZBOŻOWEGO	1	667250.0	
5			1	667958.3	
6	SIEVE PAN DRIVE	NAPĘD KOSZA SITOWEGO	1	667252.0	
7	STRAW CHOPPER	NAPĘD POŚREDNI ROZDRABNIACZA SŁOMY	1	061700.1	
8			1	350463.0	
9	CUTTERBAR DRIVE	NAPĘD POŚREDNI HEDERA	2	667454.0	
10			2	667551.1	
11	IMPELLER DRUM DRIVE	NAPĘD WSTECZNY ODRZUTNIKA	1	667249.0	
12	CUTTERBAR DRIVE	NAPĘD POŚREDNI HEDERA	1	667530.1	X
13	RADIATOR FAN	NAPĘD WENTYLATORA CHŁODNICY	1	758719.0	
14			1	667651.0	
15	SIEVE PAN DRIVE	NAPĘD KOSZA SITOWEGO	1	644209.0	
16	HYBRID DRIVE. 2 STAGE	NAPĘD HYBRYDOWY (2 STOPIEŃ)	1	629510.1	
17			1	749886.1	
21			1	754315.1	X
22	THRESHING DRUM DRIVE	NAPĘD BĘBNA MŁÓCĄCEGO	1	667248.0	
23			1	176442.1	
24			1	642492.0	X
25	FAN DRIVE	NAPĘD WENTYLATORA	1	742026.0	
26			1	644781.0	
27	FAN INTERMEDIATE DRIVE	NAPĘD POŚREDNI WIALNI	1	667457.0	
28			1	667251.1	
29			1	829004.0	X
30			1	539443.0	X
31	THRESHING DRUM DRIVE	NAPĘD BĘBNA MŁÓCĄCEGO	1	667248.0	
32			1	545689.0	
33			1	796474.0	X
34			1	796450.0	X

X - not in standard offer / brak w standardowej ofercie



ITEM / POZYCJA	APPLICATION	OPIS	QUANTITY OF V-BELTS IN DRIVE / ILOŚĆ PASÓW W ZESPOLE	OE PART NUMBER / NUMER KATALOGOWY	COMMENT / UWAGI
0	REEL DRIVE	NAPĘD MOTOWIDŁA	1	670244.1	X
0	KNIFE DRIVE	NAPĘD KOSY	1	742025.0	
1	CLUTCH FOR CUTTERBAR DRIVE	NAPĘD POŚREDNI HEDERU	1	667255.0	
2	THRESHING MACHINE	NAPĘD MŁOCARNI	1	667881.0	
3	UNLOADER DRIVE	NAPĘD WYSYPU	1	667250.0	
4	STRAW CHOPPER DRIVE. 1 STAGE	NAPĘD ROZDRABNIACZA SŁOMY (1 STOPIEŃ)	1	644685.1	
5	SIEVE PAN DRIVE. 2 STAGE	NAPĘD KOSZA SITOWEGO (2 STOPIEŃ)	1	667252.0	
6	STRAW CHOPPER DRIVE. 2 STAGE	NAPĘD ROZDRABNIACZA SŁOMY (2 STOPIEŃ)	1	061700.1	
7	STRAW CHOPPER DRIVE. 3 STAGE	NAPĘD ROZDRABNIACZA SŁOMY (3 STOPIEŃ)	1	661298.0	
7	STRAW CHOPPER DRIVE. 3 STAGE	NAPĘD ROZDRABNIACZA SŁOMY (3 STOPIEŃ)	1	749712.0	
8	CUTTERBAR DRIVE WITHOUT VARI-DRIVE	NAPĘD POŚREDNI HEDERA	2	667454.0	
9	CUTTERBAR DRIVE WITH VARI-DRIVE	NAPĘD POŚREDNI HEDERA	2	667551.0	
10	IMPELLER DRUM DRIVE	NAPĘD ODRZUTNIKA	1	667249.0	
11	CUTTERBAR VARIABLE SPEED DRIVE	NAPĘD POŚREDNI HEDERA	1	667530.0	X
12	HYDRAULIC PUMP DRIVE	NAPĘD POMPY HYDRAULICZNEJ	1	758719.0	
12	HYDRAULIC PUMP DRIVE	NAPĘD POMPY HYDRAULICZNEJ	1	233843.1	
13	SIEVE PAN DRIVE. 3 STAGE	NAPĘD KOSZA SITOWEGO (3 STOPIEŃ)	1	667651.0	
14	SIEVE PAN DRIVE. 1 STAGE	NAPĘD KOSZA SITOWEGO (1 STOPIEŃ)	1	644209.0	
15	UNI SPREADER DRIVE. 2 STAGE	NAPĘD ROZTRZĄSACZA SŁOMY (2 STOPIEŃ)	1	667891.0	X
16	UNI SPREADER DRIVE. 1 STAGE	NAPĘD ROZTRZĄSACZA SŁOMY (1 STOPIEŃ)	1	667798.2	
17	AIR CONDITIONING COMPRESSOR	NAPĘD KOMPRESORA KLIMATYZACJI	1	667560.1	
18	FAN AND ROTARY SCREEN DRIVE	NAPĘD WENTYLATORA CHŁODNICY	1	667242.0	
19	ROTARY SCREEN DRIVE	NAPĘD KOSZA CHŁODNICY	1	667456.0	
20	HYBRID DRIVE. 2 STAGE	NAPĘD HYBRYDOWY (2 STOPIEŃ)	1	667427.0	
20	HYBRID DRIVE. 2 STAGE	NAPĘD HYBRYDOWY (2 STOPIEŃ)	1	667983.0	
21	HYBRID DRIVE. 1 STAGE	NAPĘD HYBRYDOWY (2 STOPIEŃ)	1	667554.0	
22	ROTARY SCREEN DRIVE	NAPĘD KOSZA CHŁODNICY	1	667561.1	
23	THRESHING DRUM DRIVE	NAPĘD BĘBNA MŁOCĄCEGO	1	667248.0	
24	THRESHING DRUM DRIVE	NAPĘD PRZEKŁADNI BĘBNA MŁOCĄCEGO	1	667458.0	
25	CLEANING FAN DRIVE (1 STAGE)	NAPĘD WIALNI CZYSZCZĄCEJ (1 STOPIEŃ)	1	742026.0	
26	FAN INTERMEDIATE DRIVE	NAPĘD POŚREDNI WIALNI	1	667457.0	
27	SPEED REDUCING GEAR BOX	NAPĘD PRZEKŁADNI BĘBNA MŁOCĄCEGO	1	667251.0	

X - not in standard offer / brak w standardowej ofercie

ITEM / POZYCJA	APPLICATION	OPIS	QUANTITY OF V-BELTS IN DRIVE / ILOŚĆ PASÓW W ZESPOLE	OE PART NUMBER / NUMER KATALOGOWY	COMMENT / UWAGI
2	CUTTERBAR DRIVE, 1STE STA	NAPĘD PRZENOŚNIKA POCHYLNego, PIERWSZY STOPIEŃ	1	667255.0	
3	THRESHING MECHANISM DRIVE	NAPĘD MŁOCARNI	1	667881.0	
4	GRAIN TANK UNLOADING	NAPĘD ZESPOŁU WYSYPU ZBIORNIKA ZBOŻOWEGO	1	667250.0	
5	CHOPPER DRIVE 1STE STAGE	NAPĘD PRZENOŚNIKA POCHYLNego PIERWSZY STOPIEŃ	1	644966.0	
6	SIEVE PAN, 2ND STAGE	NAPĘD KOSZA SITOWEGO, DRUGI STOPIEŃ	1	667252.0	
7	CHOPPER DRIVE, 2ND STAGE	NAPĘD PRZENOŚNIKA POCHYLNego, DRUGI STOPIEŃ	1	644889.0	
8			1	644890.0	
8	CHOPPER DRIVE, 3RD STAGE ONL	NAPĘD PRZENOŚNIKA POCHYLNego, TRZECI STOPIEŃ	1	350463.0	
11	SYNCHRONOUS DRIVE	NAPĘD SYNCHRONICZNY	1	667249.0	
12	CUTTERBAR VARIATOR	NAPĘD POŚREDNI HEDERA WARIATOR	1	667530.1	X
13	AT SPREADER FAN	WENTYLATOR ROZTRZĄSACZA	1	233843.1	
13	AT CHAFF SPREADER	ROZTRZĄSACZ PLEW	1	758719.0	
14	CLEANING, 3RD STAGE	WIALNIA CZYSZCZĄCA, TRZECI STOPIEŃ	1	644866.0	
15	CLEANING, 1STE STAGE	WIALNIA CZYSZCZĄCA, PIERWSZY STOPIEŃ	1	644209.0	
16	HYBRID DRIVE, 2ND STAGE	NAPĘD HYBRYDOWY, DRUGI STOPIEŃ	1	629510.1	
17	HYBRID DRIVE, 1STE STAGE	NAPĘD HYBRYDOWY, PIERWSZY STOPIEŃ	1	749886.1	
18	RADIATOR SCREEN 2ND STAGE	FILTR CHŁODNICY, DRUGI STOPIEŃ	1	545689.0	
19	FAN DRIVE / C12	NAPĘD WENTYLATORA / C12	1	761979.1	X
22			1	667248.0	
23	DRUM DRIVE	NAPĘD BĘBNA MŁOCĄCEGO	1	176442.1	
25	FAN DRIVE	NAPĘD WENTYLATORA	1	742026.0	
26	SUCTION FAN	FILTR	1	644781.0	
27			1	667457.0	
28	DRUM DRIVE	NAPĘD BĘBNA MŁOCĄCEGO	1	667251.1	
29	HYDRAULIC REEL DRIVE	HYDRAULICZNY NAPĘD MOTOWIDŁA	1	829094.0	
31	HYBRID VARIABLE SPEED DRIVE	NAPĘD HYBRYDOWY ZMIENA PRĘDKOŚĆ	1	667248.0	
32	SPREADER FAN, 2ND STAGE	WENTYLATOR ROZTRZĄSACZA, DRUGI STOPIEŃ	1	667891.1	X
33	SPREADER FAN, 1STE STAGE	WENTYLATOR ROZTRZĄSACZA, PIERWSZY STOPIEŃ	1	644942.0	
34			1	765985.0	

X - not in standard offer / brak w standardowej ofercie



ITEM / POZYCJA	APPLICATION	OPIS	QUANTITY OF V-BELTS IN DRIVE / ILOŚĆ PASÓW W ZESPOLE	OE PART NUMBER / NUMER KATALOGOWY	COMMENT / UWAGI
1	1STE STAGE CUTTERBAR	NAPĘD POŚREDNI HEDERA, PIERWSZY STOPIEŃ	1	667255.0	
2	THRESHING MECHANISM	ZESPÓŁ MŁOCARNI	1	667881.0	
3	GRAIN TANK UNLOADING	NAPĘD WYSYPU ZBIORNIKA ZIARNA	1	667250.0	
4	1STE STAGE CHOPPER FROM NO. 46800071	ROZDRABNIACZ, PIERWSZY STOPIEŃ OD NUMERU 46800071	1	644966.0	
4	1STE STAGE CHOPPER TO NO. 46800070	ROZDRABNIACZ, PIERWSZY STOPIEŃ, DO NUMERU 46800070	1	644685.1	
5	2ND STAGE CLEANING	WIALNIA CZYSZCZĄCA, PIERWSZY STOPIEŃ	1	667252.0	
6	2ND STAGE CHOPPER FROM NO. 46800071	ROZDRABNIACZ, DRUGI STOPIEŃ OD NUMERU 46800071	1	644889.0	
6	2ND STAGE CHOPPER TO NO. 46800070	ROZDRABNIACZ, DRUGI STOPIEŃ DO NUMERU 46800070	1	061700.1	
7	3RD STAGE CHOPPER FROM NO. 46800071	ROZDRABNIACZ, TRZECI STOPIEŃ OD NUMERU 46800071	1	644890.0	
7	3RD STAGE CHOPPER TO NO. 46800070	ROZDRABNIACZ, TRZECI STOPIEŃ DO NUMERU 46800070	1	749712.0	
10	IMPELLER DRUM	NAPĘD ODRZUTNIKA	1	667249.0	
12	STRAW SPREADER	ROZTRZĄSACZ SŁOMY	1	233843.1	
12	STRAW SPREADER	ROZTRZĄSACZ SŁOMY	1	758719.0	
13	3RD STAGE CLEANING	WIALNIA CZYSZCZĄCA, TRZECI STOPIEŃ	1	644866.0	
14	1STE STAGE CLEANING	WIALNIA CZYSZCZĄCA, PIERWSZY STOPIEŃ	1	644209.0	
15			1	667891.1	X
16			1	667798.2	
16			1	644942.0	
17	COMPRESSOR	KOMPRESOR	1	667560.1	
18	MOTOR FAN	WENTYLATOR SILNIKA	1	667242.0	
19			1	667456.0	
20	2ND STAGE HYBRID FROM NO. 46800081	NAPĘD HYBRYDOWY, DRUGI STOPIEŃ OD NUMERU 46800081	1	629510.1	
20			1	667458.0	
20			1	667983.0	
21			1	667554.0	
21			1	749886.1	
22			1	667561.1	
23	DRUM VARIABLE SPEED DRIVE	NAPĘD BĘBNA ZMIENNA PRĘDKOŚĆ	1	667248.0	
24	THRESHING DRUM	NAPĘD BĘBNA MŁOĄCEGO	1	667255.0	
24	THRESHING DRUM	NAPĘD BĘBNA MŁOĄCEGO	1	176442.1	
25			1	742026.0	
26	FAN VARIABLE SPEED DRIVE	NAPĘD WENTYLATORA ZMIENNA PRĘDKOŚĆ	1	667457.0	
27	ACCELERATOR	ALTERNATOR	1	667251.1	
28	SUCTION FAN	FILTR	1	644781.0	

X - not in standard offer / brak w standardowej ofercie

ITEM / POZYCJA	APPLICATION	OPIS	QUANTITY OF V-BELTS IN DRIVE / ILOŚĆ PASÓW W ZESPOLE	OE PART NUMBER / NUMER KATALOGOWY	COMMENT / UWAGI
2	CUTTERBAR DRIVE, 1STE STAGE	NAPĘD PRZENOŚNIKA POCHYLNEGO, PIERWSZY STOPIEŃ	1	644892.0	
3	THRESHING MECHANISM DRIVE P02/540/541/560/ P02/670/671/680/681	NAPĘD MŁOCARNI P02/540/541/560/ P02/670/671/680/681	1	352371.1	
3	THRESHING MECHANISM DRIVE P02/590/591/660/661	NAPĘD MŁOCARNI P02/590/591/660/661	1	667453.0	
4	GRAIN TANK UNLOADING	NAPĘD WYSYPU ZBIORNIKA ZIARNA	1	667250.0	
5	CHOPPER DRIVE 1STE STAGE AT MOTOR 3126B AND C9	NAPĘD PRZENOŚNIKA POCHYLNEGO PIERWSZY STOPIEŃ DO SILNIKA 3126B I C9	1	667958.3	
5	CHOPPER DRIVE 1STE STAGE AT MOTOR C6.6	NAPĘD PRZENOŚNIKA POCHYLNEGO PIERWSZY STOPIEŃ DO SILNIKA C6.6	1	355696.0	X
6	SIEVE PAN, 2ND STAGE	NAPĘD KOSZA SITOWEGO, DRUGI STOPIEŃ	1	667252.0	
7	CHOPPER DRIVE, 2ND STAGE	NAPĘD PRZENOŚNIKA POCHYLNEGO, DRUGI STOPIEŃ	1	061700.1	
8	CHOPPER DRIVE, 3RD STAGE RIGID CHOPPER	NAPĘD PRZENOŚNIKA POCHYLNEGO, TRZECI STOPIEŃ	1	628888.0	
11	SYNCHRONOUS DRIVE	NAPĘD SYNCHRONICZNY	1	667249.0	
12	CUTTERBAR VARIATOR	NAPĘD POŚREDNI HEDERA WARIATOR	1	667530.1	X
13	CHAFF SPREADER	ROZTRZĄSACZ PLEW	1	746508.1	
14	CLEANING, 3RD STAGE	WIALNIA CZYSZCZĄCA, TRZECI STOPIEŃ	1	667651.0	
15	CLEANING, 1STE STAGE	WIALNIA CZYSZCZĄCA, PIERWSZY STOPIEŃ	1	644209.0	
19			1	628991.0	
22			1	661427.0	X
22	FROM NO. 58300369	OD NUMERU 58300369	1	667248.0	
23	DRUM DRIVE	NAPĘD BĘBNA MŁOĄCEGO	1	644902.0	
23	DRUM DRIVE	NAPĘD BĘBNA MŁOĄCEGO	1	176442.1	
25	FAN DRIVE	NAPĘD WENTYLATORA	2	778717.1	
26			1	644843.0	
27			1	667457.0	
28	DRUM DRIVE	NAPĘD BĘBNA MŁOĄCEGO	1	667251.1	
29	HYDRAULIC REEL DRIVE	HYDRAULICZNY NAPĘD MOTOWIDŁA	1	829094.0	
30	STRAW WALKER DRIVE	NAPĘD WYTRZĄSACZY	1	667477.0	
33	RADIATOR SCREEN 2ND STAGE	FILTR CHŁODNICZY, DRUGI STOPIEŃ	1	545689.0	
34	AT MOTOR 3126B	DO SILNIKA 3126B	1	796474.0	X
35	AT MOTOR C9	DO SILNIKA C9	1	584627.1	X
35	AT MOTOR C6.6	DO SILNIKA C6.6	1	580157.0	X
35	FAN DRIVE AT MOTOR 3126B	NAPĘD WENTYLATORA DO SILNIKA 3126B	1	796450.0	X
36			1	765985.0	

X - not in standard offer / brak w standardowej ofercie

ITEM / POZYCJA	APPLICATION	OPIS	QUANTITY OF V-BELTS IN DRIVE / ILOŚĆ PASÓW W ZESPOLE	OE PART NUMBER / NUMER KATALOGOWY	COMMENT / UWAGI
2	CUTTERBAR DRIVE 1STE STAGE	NAPĘD POŚREDNI HEDERA, PIERWSZY STOPIEŃ	1	644892.0	
3	"THRESHING MECHANISM DRIVE P02/660/661 FROM NO. 58200137"	"NAPĘD MŁOCARNI P02/660/661 OD NUMERU 58200137"	1	352403.0	
3	THRESHING MECHANISM DRIVE P02/540/541/670/671	NAPĘD MŁOCARNI P02/540/541/670/671	1	352371.1	
3	THRESHING MECHANISM DRIVE P02/590/591 P02/660/661	NAPĘD MŁOCARNI P02/590/591 P02/660/661	1	667453.0	
4	GRAIN TANK UNLOADING	NAPĘD WYSYPU ZBIORNIKA ZIARNA	1	667250.0	
5	CHOPPER DRIVE 1STE STAGE AT MOTOR 3126B, C9	NAPĘD PRZENOŚNIKA POCHYLNEGO PIERWSZY STOPIEŃ DO SILNIKA 3126B, C9	1	667958.3	
5	CHOPPER DRIVE 1STE STAGE AT MOTOR C6.6	NAPĘD PRZENOŚNIKA POCHYLNEGO PIERWSZY STOPIEŃ DO SILNIKA C6.6	1	355696.0	X
6	SIEVE PAN 2ND STAGE	NAPĘD KOSZA SITOWEGO, DRUGI STOPIEŃ	1	667252.0	
7	CHOPPER DRIVE 2ND STAGE	NAPĘD PRZENOŚNIKA POCHYLNEGO DRUGI STOPIEŃ	1	061700.1	
8	CHOPPER DRIVE 3RD STAGE RIGID CHOPPER	NAPĘD PRZENOŚNIKA POCHYLNEGO TRZECI STOPIEŃ	1	628888.0	
11	SYNCHRONOUS DRIVE	NAPĘD SYNCHRONICZNY	1	667249.0	
12	CUTTERBAR VARIATOR	NAPĘD POŚREDNI HEDERA WARIATOR	1	667530.1	X
13	CHAFF SPREADER	ROZTRZĄSACZ PLEW	1	746508.1	
14	CLEANING, 3RD STAGE	WIALNIA CZYSZCZĄCA, TRZECI STOPIEŃ	1	667651.0	
15	CLEANING, 1STE STAGE	WIALNIA CZYSZCZĄCA, PIERWSZY STOPIEŃ	1	644209.0	
19			1	628991.0	
22	DRUM VARIATOR	NAPĘD BĘBNA WARIATOR	1	667248.0	
23	DRUM DRIVE	NAPĘD BĘBNA	1	176442.1	
25	FAN DRIVE	NAPĘD WENTYLATORA	1	746506.0	
26	SUCTION FAN	FILTR	1	644781.0	
27			1	667457.0	
28	DRUM DRIVE	NAPĘD BĘBNA	1	667251.1	
29	HYDRAULIC REEL DRIVE	HYDRAULICZNY NAPĘD MOTOWIDŁA	1	829094.0	
30	STRAW WALKER DRIVE	NAPĘD WYTRZĄSACZY	1	667477.0	
33	RADIATOR SCREEN 2ND STAGE	FILTR CHŁODNICZY, DRUGI STOPIEŃ	1	545689.0	
34	AT MOTOR 3126B	DO SILNIKA 3126B	1	796474.0	X
35	AT MOTOR C9	DO SILNIKA C9	1	584627.1	X
35	AT MOTOR C6.6	DO SILNIKA C6.6	1	580157.0	X
35	FAN DRIVE AT MOTOR 3126B	NAPĘD WENTYLATORA DO SILNIKA 3126B	1	796450.0	X
36			1	765985.0	

X - not in standard offer / brak w standardowej ofercie

ITEM / POZYCJA	APPLICATION	OPIS	QUANTITY OF V-BELTS IN DRIVE / ILOŚĆ PASÓW W ZESPOLE	OE PART NUMBER / NUMER KATALOGOWY	COMMENT / UWAGI
2	THRESHING MECHANISM DRIVE P02/540/541/560/ P02/670/671/680/681	NAPĘD MŁOCARNI P02/540/541/560/ P02/670/671/680/681	1	644892.0	
3	THRESHING MECHANISM DRIVE P02/590/591/660/661	NAPĘD MŁOCARNI P02/590/591/660/661	1	352371.1	
3	GRAIN TANK UNLOADING	NAPĘD WYSYPU ZBIORNIKA ZIARNA	1	667453.0	
4	CHOPPER DRIVE 1STE STAGE AT MOTOR 3126B AND C9	NAPĘD PRZENOŚNIKA POCHYLNEGO PIERWSZY STOPIEŃ DO SILNIKA 3126B I C9	1	667250.0	
5	CHOPPER DRIVE 1STE STAGE AT MOTOR C6.6	NAPĘD PRZENOŚNIKA POCHYLNEGO PIERWSZY STOPIEŃ DO SILNIKA C6.6	1	667958.3	
5	SIEVE PAN, 2ND STAGE	NAPĘD KOSZA SITOWEGO, DRUGI STOPIEŃ	1	355696.0	X
6	CHOPPER DRIVE, 2ND STAGE	NAPĘD PRZENOŚNIKA POCHYLNEGO, DURGI STOPIEŃ	1	667252.0	
7	CHOPPER DRIVE, 3RD STAGE RIGID CHOPPER	NAPĘD PRZENOŚNIKA POCHYLNEGO, TRZECI STOPIEŃ	1	061700.1	
8	SYNCHRONOUS DRIVE	NAPĘD SYNCHRONICZNY	1	628888.0	
11	CUTTERBAR VARIATOR	NAPĘD POŚREDNI HEDERA WARIATOR	1	667249.0	
12	CHAFF SPREADER	ROZTRZĄSACZ PLEW	1	667530.1	X
13	CLEANING, 3RD STAGE	WIALNIA CZYSZCZĄCA, TRZECI STOPIEŃ	1	746508.1	
14	CLEANING, 1STE STAGE	WIALNIA CZYSZCZĄCA, PIERWSZY STOPIEŃ	1	667651.0	
15			1	644209.0	
19	FROM NO. 58300369	OD NUMERU 58300369	1	628991.0	
22	DRUM DRIVE LEXION 530, 520, 510	NAPĘD BĘBNA MŁOĄCEGO LEXION 530, 520, 510	1	667248.0	
23	FAN DRIVE	NAPĘD WENTYLATORA	1	176442.1	
25			1	746506.0	
26			1	644781.0	
27	DRUM DRIVE	NAPĘD BĘBNA MŁOĄCEGO	1	667457.0	
28	HYDRAULIC REEL DRIVE	HYDRAULICZNY NAPĘD MOTOWIDŁA	1	667251.1	
29	STRAW WALKER DRIVE	NAPĘD WYTRZĄSACZY	1	829094.0	
30	RADIATOR SCREEN 2ND STAGE	FILTR CHŁODNICZY, DRUGI STOPIEŃ	1	667477.0	
33	AT MOTOR 3126B	DO SILNIKA 3126B	1	545689.0	
34	AT MOTOR C9	DO SILNIKA C9	1	796474.0	X
35	AT MOTOR C6.6	DO SILNIKA C6.6	1	584627.1	X
35	FAN DRIVE AT MOTOR 3126B	NAPĘD WENTYLATORA DO SILNIKA 3126B	1	580157.0	X
35			1	796450.0	X
36			1	765985.0	

X - not in standard offer / brak w standardowej ofercie

ITEM / POZYCJA	APPLICATION	OPIS	QUANTITY OF V-BELTS IN DRIVE / ILOŚĆ PASÓW W ZESPOLE	OE PART NUMBER / NUMER KATALOGOWY	COMMENT / UWAGI
2	CUTTERBAR DRIVE - 1ST STAGE	NAPĘD POŚREDNI HEDERA, PIERWSZY STOPIEŃ	1	644892.0	
3	THRESHING MECHANISM ENGINE C9	ZESPÓŁ MŁOCARNI SILNIK C9	1	352403.0	
3	THRESHING MECHANISM AT CATERPILLAR C13, C10	ZESPÓŁ MŁOCARNI W CATERPILLAR C13, C10	1	667881.0	
3	THRESHING MECHANISM ENGINE 3126B, C6.6	ZESPÓŁ MŁOCARNI SILNIK 3126B, C6.6	1	667453.0	
4	DISCHARGE DRIVE GRAIN TANK	NAPĘD WYSYPU ZBIORNIKA ZIARNA	1	667250.0	
5	"CHOPPER DRIVE - 1ST STAGE AT MOTOR C13, C10, C9 AND 3126B"	"NAPĘD PRZENOŚNIKA POCHYLNEGO, PIERWSZY STOPIEŃ W SILNIKU C13, C10, C9 I 3126B"	1	667958.3	
5	CHOPPER DRIVE - 1ST STAGE AT MOTOR C6.6	NAPĘD PRZENOŚNIKA POCHYLNEGO, PIERWSZY STOPIEŃ DO SILNIKA C6.6	1	355696.0	X
6	SIEVE PAN DRIVE - 2ND STAGE	NAPĘD KOSZA SITOWEGO, DRUGI STOPIEŃ	1	667252.0	
7	CHOPPER DRIVE - 2ND STAGE	NAPĘD PRZENOŚNIKA POCHYLNEGO, DRUGI STOPIEŃ	1	061700.1	
8	CHOPPER DRIVE - 3RD STAGE RIGID CHOPPER	NAPĘD PRZENOŚNIKA POCHYLNEGO, TRZECI STOPIEŃ	1	628888.0	
11	SYNCHRONOUS DRIVE	NAPĘD SYNCHRONICZNY	1	667249.0	
12	CUTTERBAR DRIVE WITH VARIABLE SPEED DRIVE	NAPĘD POŚREDNI HEDERA ZE ZMIENNA PRĘDKOŚCIĄ	1	667530.1	X
13	CHAFF SPREADER DRIVE	NAPĘD ROZTRZĄSACZA PLEW	1	746508.1	
14	CLEANING - 3RD STAGE	WIALNIA CZYSZCZĄCA, TRZECI STOPIEŃ	1	667651.0	
15	CLEANING - 1ST STAGE	WIALNIA CZYSZCZĄCA, PIERWSZY STOPIEŃ	1	644209.0	
19			1	628991.0	
22	DRUM DRIVE VARIABLE SPEED	NAPĘD BĘBNA MŁOCĄCEGO ZMIENNA PREKOŚĆ	1	667248.0	
23	DRUM DRIVE	NAPĘD BĘBNA MŁOCĄCEGO	1	176442.1	
25	FAN DRIVE	NAPĘD WENTYLATORA	1	746506.0	
26	SUCTION FAN	FILTR	1	644781.0	
27	FAN DRIVE VARIABLE SPEED	NAPĘD WENTYLATORA ZMIENNA PRĘDKOŚĆ	1	667457.0	
28	DRUM DRIVE	NAPĘD BĘBNA MŁOCĄCEGO	1	667251.1	
29	HYDRAULIC REEL PUMP DRIVE	HYDRAULICZNY NAPĘD POMPY MOTOWIDŁA	1	829094.0	
30	STRAW WALKER DRIVE	NAPĘD WYTRZĄSACZY	1	667477.0	
33			1	545689.0	
34	ENGINE 3126 B	SILNIK 3126 B	1	796474.0	X
35	FAN DRIVE	NAPĘD WENTYLATORA	1	584627.1	X
35	FAN DRIVE (UP TO NR. 58401486)	NAPĘD WENTYLATORA (DO NUMERU 58401486)	1	743910.1	X
35	FAN DRIVE AT MOTOR C6.6	NAPĘD WENTYLATORA DO SILNIKA C6.6	1	580157.0	X
35	FAN DRIVE - ENGINE 3126B AND AT C9	NAPĘD WENTYLATORA - SILNIK 3126B I C9	1	796450.0	X

X - not in standard offer / brak w standardowej ofercie

ITEM / POZYCJA	APPLICATION	OPIS	QUANTITY OF V-BELTS IN DRIVE / ILOŚĆ PASÓW W ZESPOLE	OE PART NUMBER / NUMER KATALOGOWY	COMMENT / UWAGI
2	CUTTERBAR DRIVE - 1ST STAGE	NAPĘD POŚREDNI HEDERA, PIERWSZY STOPIEŃ	1	644892.0	
3	THRESHING MECHANISM ENGINE C9	ZESPÓŁ MŁOCARNI SILNIK C9	1	352403.0	
3	THRESHING MECHANISM AT CATERPILLAR C13, C10	ZESPÓŁ MŁOCARNI W CATERPILLAR C13, C10	1	667881.0	
3	THRESHING MECHANISM ENGINE 3126B, C6.6	NAPĘD ZESPOŁU MŁOCARNI 3126B, C6.6	1	667453.0	
4	DISCHARGE DRIVE GRAIN TANK	NAPĘD WYSYPU ZBIORNIKA ZIARNA	1	667250.0	
5	"CHOPPER DRIVE - 1ST STAGE AT MOTOR C13, C10, C9 AND 3126B"	"NAPĘD PRZENOŚNIKA POCHYLNEGO, PIERWSZY STOPIEŃ DO SILNIKA C13, C10, C9 I 3126B"	1	667958.3	
5	CHOPPER DRIVE - 1ST STAGE AT ENGINE C6.6	NAPĘD PRZENOŚNIKA POCHYLNEGO, PIERWSZY STOPIEŃ DO SILNIKA C6.6	1	355696.0	X
6	SIEVE PAN DRIVE - 2ND STAGE	NAPĘD KOSZA SITOWEGO, DRUGI STOPIEŃ	1	667252.0	
7	CHOPPER DRIVE - 2ND STAGE	NAPĘD PRZENOŚNIKA POCHYLNEGO, DRUGI STOPIEŃ	1	061700.1	
8	CHOPPER DRIVE - 3RD STAGE RIGID CHOPPER	NAPĘD PRZENOŚNIKA POCHYLNEGO, TRZECI STOPIEŃ	1	628888.0	
11	SYNCHRONOUS DRIVE	NAPĘD SYNCHRONICZNY	1	667249.0	
12	CUTTERBAR DRIVE WITH VARIABLE SPEED DRIVE	NAPĘD POŚREDNI HEDERA ZE ZMIENNA PRĘDKOŚCIĄ	1	667530.1	X
13	CHAFF SPREADER DRIVE	NAPĘD ROZTRZĄSACZA PLEW	1	746508.1	
14	CLEANING - 3RD STAGE	WIALNIA CZYSZCZĄCA, TRZECI STOPIEŃ	1	667651.0	
15	CLEANING - 1ST STAGE	WIALNIA CZYSZCZĄCA, PIERWSZY STOPIEŃ	1	644209.0	
19			1	628991.0	
22	DRUM DRIVE VARIABLE SPEED	NAPĘD BĘBNA MŁOCĄCEGO ZMIENNA PREKOŚĆ	1	667248.0	
23	DRUM DRIVE	NAPĘD BĘBNA MŁOCĄCEGO	1	176442.1	
25	FAN DRIVE	NAPĘD WENTYLATORA	1	746506.0	
26	SUCTION FAN	FILTR	1	644781.0	
27	FAN DRIVE VARIABLE SPEED	NAPĘD WENTYLATORA ZMIENNA PRĘDKOŚĆ	1	667457.0	
28	DRUM DRIVE	NAPĘD BĘBNA MŁOCĄCEGO	1	667251.1	
29	HYDRAULIC REEL PUMP DRIVE	HYDRAULICZNY NAPĘD POMPY MOTOWIDŁA	1	829094.0	
30	STRAW WALKER DRIVE	NAPĘD WYTRZĄSACZY	1	667477.0	
33			1	545689.0	
34	ENGINE 3126 B	SILNIK 3126 B	1	796474.0	X
35	FAN DRIVE C9	NAPĘD WENTYLATORA C9	1	584627.1	X
35	FAN DRIVE (UP TO NR. 58401486)	NAPĘD WENTYLATORA (DO NUMERU 58401486)	1	743910.1	X
35	FAN DRIVE AT MOTOR C6.6	NAPĘD WENTYLATORA DO SILNIKA C6.6	1	580157.0	X
35	FAN DRIVE - ENGINE 3126B	NAPĘD WENTYLATORA - SILNIK 3126B	1	796450.0	X

X - not in standard offer / brak w standardowej ofercie

ITEM / POZYCJA	APPLICATION	OPIS	QUANTITY OF V-BELTS IN DRIVE / ILOŚĆ PASÓW W ZESPOLE	OE PART NUMBER / NUMER KATALOGOWY	COMMENT / UWAGI
2	CUTTERBAR DRIVE - 1ST STAGE	NAPĘD POŚREDNI HEDERA, PIERWSZY STOPIEŃ	1	644892.0	
3	THRESHING MECHANISM DRIVE	NAPĘD MŁOCARNI	1	667452.1	
4	DISCHARGE DRIVE GRAIN TANK	NAPĘD WYSYPU ZBIORNIKA ZIARNA	1	667250.0	
5	CHOPPER DRIVE - 1ST STAGE	NAPĘD PRZENOŚNIKA POCHYLNEGO, PIERWSZY STOPIEŃ	1	667958.3	
6	"SIEVE PAN DRIVE - 2ND STAGE (FROM NR. 58500163-58500093-107)"	"NAPĘD KOSZA SITOWEGO, DRUGI STOPIEŃ (OD NUMERU 58500163-58500093-107)"	1	644902.0	
6	TO NR. 58500092 -NR. 58500108-162	DO NUMERU 58500092 -NR. 58500108-162	1	667252.0	
7	CHOPPER DRIVE - 2ND STAGE	NAPĘD PRZENOŚNIKA POCHYLNEGO , DRUGI STOPIEŃ	1	061700.1	
8	CHOPPER DRIVE - 3RD STAGE	NAPĘD PRZENOŚNIKA POCHYLNEGO , TRZECI STOPIEŃ	1	628978.0	
11	SYNCHRONOUS DRIVE	NAPĘD SYNCHRONICZNY	1	667249.0	
12	CUTTERBAR DRIVE WITH VARIABLE SPEED DRIVE	NAPĘD POŚREDNI HEDERA ZE ZMIENNA PRĘDKOŚCIĄ	1	667530.1	X
13	CHAFF SPREADER DRIVE	NAPĘD ROZTRZĄSACZA PLEW	1	746508.1	
14	CLEANING (TO NR. 58500092 - NR. 58500108-162)	WIALNIA CZYSZCZĄCA (DO NUMERU 58500092 - NR. 58500108-162)	1	667651.0	
14	CLEANING - 3RD STAGE (FROM NR. 58500163-58500093-107)	WIALNIA CZYSZCZĄCA, TRZECI STOPIEŃ(OD NR. 58500163-58500093-107)	1	756466.0	
15	CLEANING - 1ST STAGE	WIALNIA CZYSZCZĄCA, PIERWSZY STOPIEŃ	1	644209.0	
16	HYBRID DRIVE - 2ND STAGE (UP TO NR. 58500162)	NAPĘD HYBRYDOWY, DRUGI STOPIEŃ (DO NR. 58500162)	1	749895.0	
16	HYBRID DRIVE - 2ND STAGE (FROM NR. 58500163)	NAPĘD HYBRYDOWY, DRUGI STOPIEŃ (OD NR. 58500163)	1	628792.0	
17	HYBRID DRIVE - 1ST STAGE	NAPĘD HYBRYDOWY, PIERWSZY STOPIEŃ	1	749886.1	
22	DRUM DRIVE VARIABLE SPEED	NAPĘD BĘBNA, ZMIENNA PRĘDKOŚĆ	1	667248.0	
23	DRUM DRIVE	NAPĘD BĘBNA	1	176442.1	
25	FAN DRIVE (FROM NR. 58500163-NR. 58500093-107)	NAPĘD WENTYLATORA (OD NR. 58500163-NR. 58500093-107)	1	667957.0	
25	FAN DRIVE (TO NR. 58500092 -NR. 58500108-162)	NAPĘD WENTYLATORA (DO NR. 58500092 -NR. 58500108-162)	1	746506.0	
26			1	644781.0	
26			1	667367.0	
27	FAN DRIVE VARIABLE SPEED (FROM NR. 58500163-NR. 58500093-107)	NAPĘD WENTYLATORA ZMIENNA PRĘDKOŚĆ (OD NR. 58500163-NR. 58500093-107)	1	744785.0	
27	FAN DRIVE VARIABLE SPEED (TO NR. 58100092 - NR. 58500108-162)	NAPĘD WENTYLATORA ZMIENNA PRĘDKOŚĆ (DO NR. 58100092 - NR. 58500108-162)	1	667457.0	
28	DRUM DRIVE	NAPĘD BĘBNA MŁOCAČEGO	1	667251.1	
29	HYDRAULIC REEL PUMP DRIVE	HYDRAULICZNY NAPĘD POMPY MOTOWIDŁA	1	829094.0	
31	HYBRID VARIABLE SPEED DRIVE (UP TO NR. 58500162)	NAPĘD HYBRYDOWY ZMIENNA PRĘDKOŚĆ (DO NR. 58500162)	1	667248.0	
32			1	545689.0	
34	FAN DRIVE (UP TO NR. 58500252)	NAPĘD WENTYLATORA (DO NR. 58500252)	1	743910.1	X
36	FROM NR. 58500163-NR. 58500093-107	OD NR. 58500163-NR. 58500093-107	1	628847.1	X

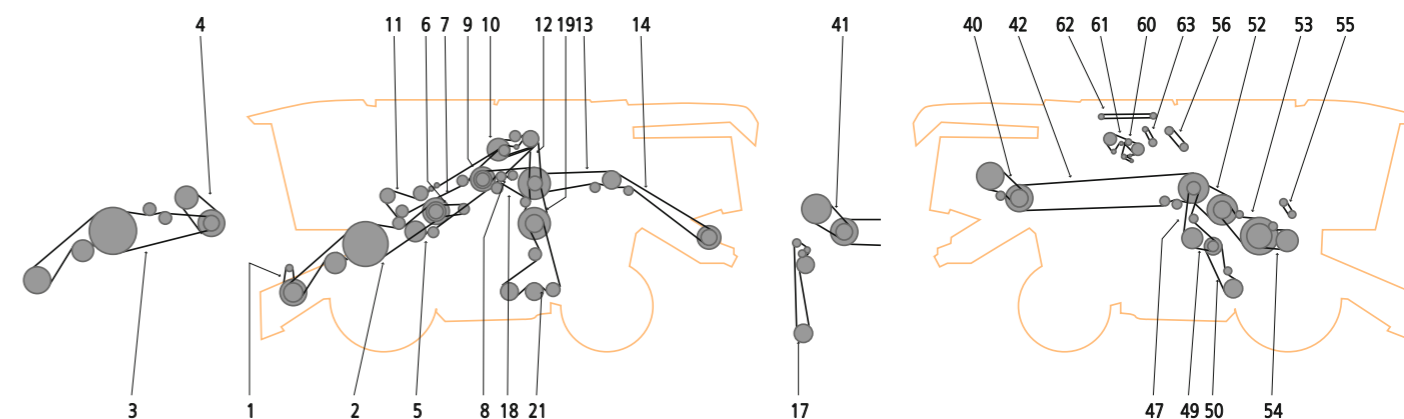
X - not in standard offer / brak w standardowej ofercie

ITEM / POZYCJA	APPLICATION	OPIS	QUANTITY OF V-BELTS IN DRIVE / ILOŚĆ PASÓW W ZESPOLE	OE PART NUMBER / NUMER KATALOGOWY	COMMENT / UWAGI
2	CUTTERBAR DRIVE - 1ST STAGE	NAPĘD POŚREDNI HEDERA, PIERWSZY STOPIEŃ	1	644892.0	
3	THRESHING MECHANISM DRIVE	NAPĘD MŁOCARNI	1	644884.0	
4	DISCHARGE DRIVE GRAIN TANK	NAPĘD WYSYPU ZBIORNIKA ZIARNA	1	667981.2	
5	CHOPPER DRIVE - 1ST STAGE	NAPĘD PRZENOŚNIKA POCHYLNEGO, 1ST STAGE	1	644885.0	
6	SIEVE PAN DRIVE - 2ND STAGE	NAPĘD KOSZA SITOWEGO, DRUGI STOPIEŃ	1	667252.0	
7	CHOPPER DRIVE - 2ND STAGE	NAPĘD PRZENOŚNIKA POCHYLNEGO , DRUGI STOPIEŃ	1	644889.0	
8			1	644890.0	
8	CHOPPER DRIVE - 3RD STAGE ONLY FOR RICE	NAPĘD PRZENOŚNIKA POCHYLNEGO , TRZECI STOPIEŃONLY FOR RICE	1	628978.0	
11	SYNCHRONOUS DRIVE	NAPĘD SYNCHRONICZNY	1	667249.0	
12	CUTTERBAR DRIVE WITH VARIABLE SPEED DRIVE	NAPĘD POŚREDNI HEDERA ZE ZMIENNA PRĘDKOŚCIĄ	1	667530.1	X
13	AT SPREADER FAN	WENTYLATOR ROZTRZĄSACZA	1	233843.1	
13			1	746508.1	
14	CLEANING - 3RD STAGE	WIALNIA CZYSZCZĄCA, TRZECI STOPIEŃ	1	644866.0	
15	CLEANING - 1ST STAGE	WIALNIA CZYSZCZĄCA, PIERWSZY STOPIEŃ	1	644209.0	
16	HYBRID DRIVE - 2ND STAGE (UP TO NR. 58600056)	NAPĘD HYBRYDOWY, DRUGI STOPIEŃ (DO NR. 58600056)	1	749895.0	
16	HYBRID DRIVE - 2ND STAGE (FROM NR. 58600057)	NAPĘD HYBRYDOWY, DRUGI STOPIEŃ (OD NR. 58600057)	1	628792.0	
17	HYBRID DRIVE - 1ST STAGE	NAPĘD HYBRYDOWY, PIERWSZY STOPIEŃ	1	749886.1	
18			1	545689.0	
20	ENGINE	SILNIK	1	744873.0	X
22	DRUM DRIVE VARIABLE SPEED	NAPĘD BĘBNA, ZMIENNA PRĘDKOŚĆ	1	667248.0	
23	DRUM DRIVE	NAPĘD BĘBNA	1	644965.0	
25	FAN DRIVE	NAPĘD WENTYLATORA	1	746506.0	
26	SUCTION FAN	FILTR	1	644781.0	
27	FAN DRIVE VARIABLE SPEED	NAPĘD WENTYLATORA ZMIENNA PRĘDKOŚĆ	1	667457.0	
28	DRUM DRIVE	NAPĘD BĘBNA MŁOCAČEGO	1	667251.1	
29	HYDRAULIC REEL PUMP DRIVE	HYDRAULICZNY NAPĘD POMPY MOTOWIDŁA	1	829094.0	
31	HYBRID VARIABLE SPEED DRIVE (UP TO NR. 58600056)	NAPĘD HYBRYDOWY ZMIENNA PRĘDKOŚĆ (DO NR. 58600056)	1	667248.0	
32			1	667891.1	X
33			1	644942.0	
33			1	667252.0	
35			1	661425.0	
36			1	758719.0	

X - not in standard offer / brak w standardowej ofercie

ITEM / POZYCJA	APPLICATION	OPIS	QUANTITY OF V-BELTS IN DRIVE / ILOŚĆ PASÓW W ZESPOLE	OE PART NUMBER / NUMER KATALOGOWY	COMMENT / UWAGI
2	CUTTERBAR DRIVE, 1STE STAGE	NAPĘD PRZENOŚNIKA POCHYLNEGO, PIERWSZY STOPIEŃ	1	644892.0	
3	THRESHING MECHANISM DRIVE	NAPĘD MŁOCARNI	1	667452.1	
4	GRAIN TANK UNLOADING	NAPĘD WYSYPU ZBIORNIKA ZIARNA	1	667250.0	
5	CHOPPER DRIVE 1STE STAGE	NAPĘD PRZENOŚNIKA POCHYLNEGO, PIERWSZY STOPIEŃ	1	667958.3	
6	SIEVE PAN 2ND STAGE	NAPĘD KOSZA SITOWEGO, DRUGI STOPIEŃ	1	644902.0	
7	CHOPPER DRIVE 2ND STAGE	NAPĘD PRZENOŚNIKA POCHYLNEGO DRUGI STOPIEŃ	1	644890.0	
8	CHOPPER DRIVE 3RD STAGE	NAPĘD PRZENOŚNIKA POCHYLNEGO 3RD STAGE	1	355658.0	X
11	SYNCHRONOUS DRIVE	NAPĘD SYNCHRONICZNY	1	667249.0	
12	CUTTERBAR VARIATOR	NAPĘD POŚREDNI HEDERA WARIATOR	1	667530.1	X
13	CHAFF SPREADER	ROZTRZĄSACZ PLEW	1	746508.1	
14	CLEANING 3RD STAGE	WIALNIA CZYSZCZĄCA, TRZECI STOPIEŃ	1	756466.0	
15	CLEANING 1STE STAGE	WIALNIA CZYSZCZĄCA, PIERWSZY STOPIEŃ	1	644209.0	
16	HYBRID DRIVE 2ND STAGE	NAPĘD HYBRYDOWY, DRUGI STOPIEŃ	1	628792.0	
17	HYBRID DRIVE 1STE STAGE	NAPĘD HYBRYDOWY, PIERWSZY STOPIEŃ	1	644961.0	
22	DRUM VARIATOR	NAPĘD BĘBNA WARIATOR	1	667248.0	
23	DRUM DRIVE	NAPĘD BĘBNA	1	176442.1	
25	FAN DRIVE 1STE STAGE	NAPĘD WENTYLATORA, PIERWSZY STOPIEŃ	1	667957.0	
26	SUCTION FAN	FILTR	1	667367.0	
27	FAN DRIVE 3RD STAGE	NAPĘD WENTYLATORA, TRZECI STOPIEŃ	1	744785.0	
28	DRUM DRIVE	NAPĘD BĘBNA	1	667251.1	
29	HYDRAULIC REEL DRIVE	HYDRAULICZNY NAPĘD MOTOWIDŁA	1	829094.0	
32			1	545689.0	
35			1	765985.0	
36	FAN VARIABLE SPEED DRIVE 2ND STAGE	NAPĘD WENTYLATORA ZMIENNA PRĘDKOŚĆ, DRUGI STOPIEŃ	1	628847.1	X

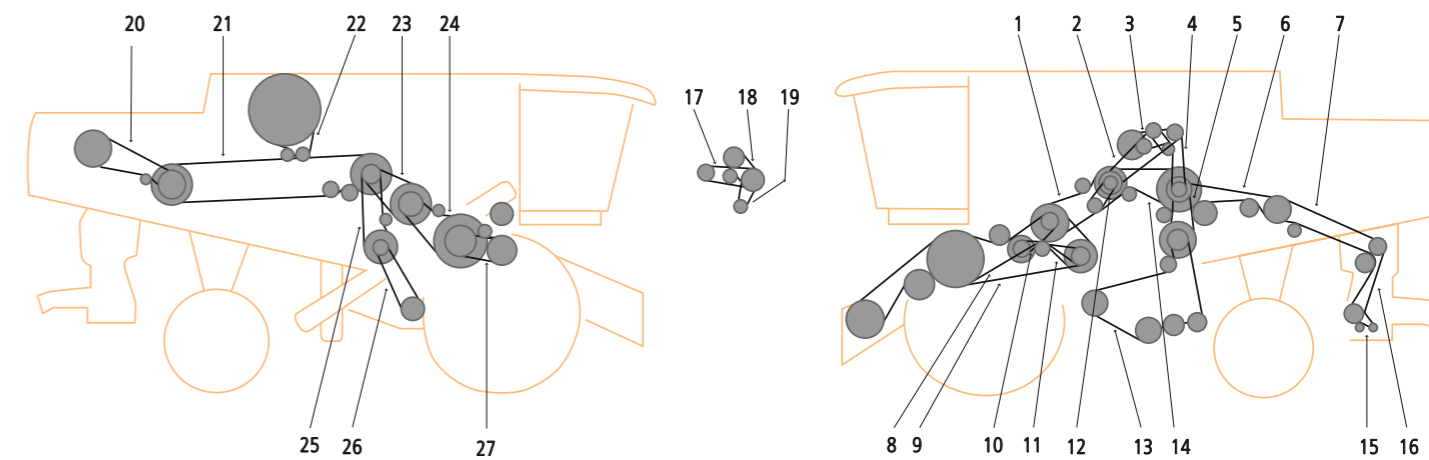
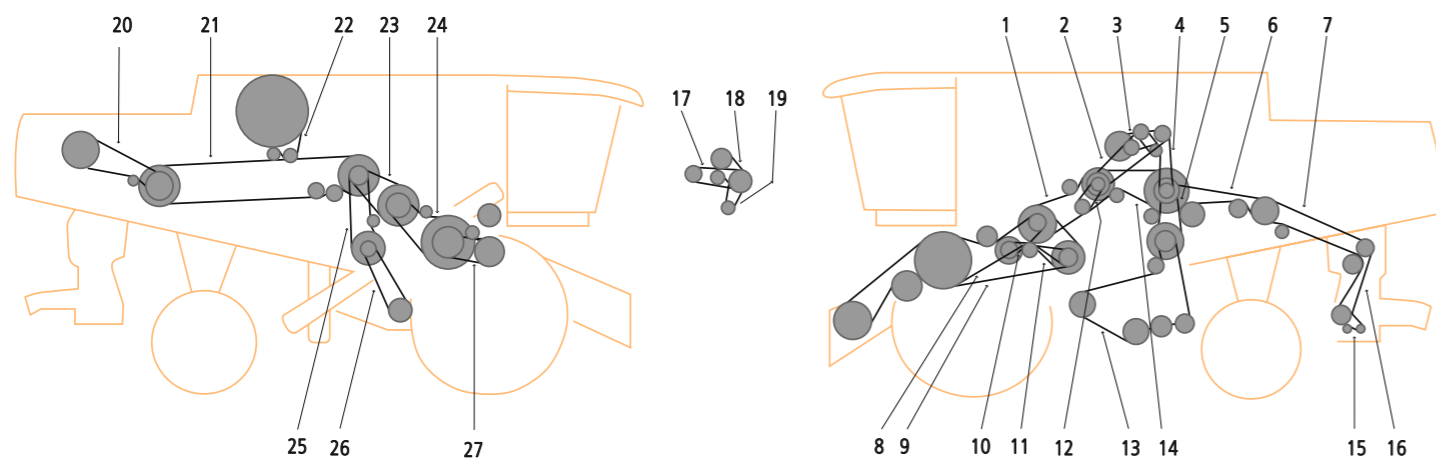
X - not in standard offer / brak w standardowej ofercie



ITEM / POZYCJA	APPLICATION	OPIS	QUANTITY OF V-BELTS IN DRIVE / ILOŚĆ PASÓW W ZESPOLE	OE PART NUMBER / NUMER KATALOGOWY	COMMENT / UWAGI
1			1	765985.0	
2			2	628579.0	
3			3	628779.0	
4			1	660568.0	X
4			1	744870.0	
4			1	980851.0	
5	IMPELLER DRUM DRIVE	NAPĘD WSTECZNY ODRZUTNIKA	1	667249.0	
6			1	829094.0	
7			1	644892.0	
7			1	749859.0	X
8			1	746508.1	
9			1	644884.0	
10	STRAW CHOPPER DRIVE. 1 STAGE	NAPĘD ROZDRABNIACZA SŁOMY (1 STOPIEŃ)	1	667981.2	
11			1	785868.0	X
12	CHOPPER DRIVE	NAPĘD SIECZKARNI	1	644885.0	
13			1	644889.0	
14			1	628978.0	
17			1	539443.0	X
18	SIEVE PAN DRIVE	NAPĘD KOSZA SITOWEGO	1	644209.0	
19			1	644902.0	
21			1	756466.0	
40			1	628792.0	
41			1	744965.0	X
42			1	644961.0	
42			1	749886.1	
47	FAN DRIVE	NAPĘD WENTYLATORA	1	667957.0	
49			1	628847.1	X
50			1	744785.0	
52			1	744965.0	X
53			1	644965.0	
54			1	667251.1	
55			1	642492.0	X
56			1	795266.0	X
60			1	744873.0	X
60			1	798779.0	X
61			1	628964.1	X
62			1	796567.0	X
63			1	744874.1	

X - not in standard offer / brak w standardowej ofercie





ITEM / POZYCJA	APPLICATION	OPIS	QUANTITY OF V-BELTS IN DRIVE / ILOŚĆ PASÓW W ZESPOLE	OE PART NUMBER / NUMER KATALOGOWY	COMMENT / UWAGI
1	TURNING DRUM DRIVE	NAPĘD PRZENOŚNIKA POCHYLEGO	1	610197.0	
2	TURNING DRUM DRIVE	NAPĘD PRZENOŚNIKA POCHYLEGO	1	500863.0	
3	COUNTERSHAFT BALER	NAPĘD ROZDRABNIACZA SŁOMY	1	551068.0	
4	MAIN DRIVE	NAPĘD GŁÓWNY	1	630144.0	
5	CLEANING FAN	NAPĘD WIALNI	1	610196.0	X
5	CLEANING FAN	NAPĘD WIALNI	1	610835.0	X
5	CLEANING FAN	NAPĘD WIALNI	1	653121.0	
6	KNIFE DRIVE	NAPĘD KOSY	1	610833.0	
7	CYLINDER DRIVE	NAPĘD BĘBNA MŁÓCĄCEGO	2	617309.0	
8	SIEVE BOX	NAPĘD KOSZA SITOWEGO	1	523252.0	
9	FLAT BELT	PAS PŁASKI	1	630025.0	
9	FLAT BELT	PAS PŁASKI	1	630043.0	
10	HYDRAULIC PUMP DRIVE	NAPĘD POMPY HYDRAULICZNEJ	1	767057.0	
11	SIEVE BOX	NAPĘD KOSZA SITOWEGO	1	772658.0	
12	REEL DRIVE	NAPĘD MOTOWIDŁA	1	778561.0	X
13	PICK-UP	NAPĘD PODBIERACZA PRASY	1	800309.0	
14	UNLOADER AUGER DRIVE	NAPĘD ŚLIMAKA WYSYPU ZBIORNIKA	1	636021.0	
14	GRAIN TANK DRIVE	NAPĘD ZBIORNIKA ZBOŻOWEGO	1	636021.1	
15	TRACTION DRIVE	NAPĘD JAZDY	1	630156.0	X
16	THROW OFF DRIVE	NAPĘD ODRZUTNIKA SŁOMY	1	750294.0	
17	STRAW SHAKER	NAPĘD ZESPOŁU WYTRZĄSACZY	1	801222.0	

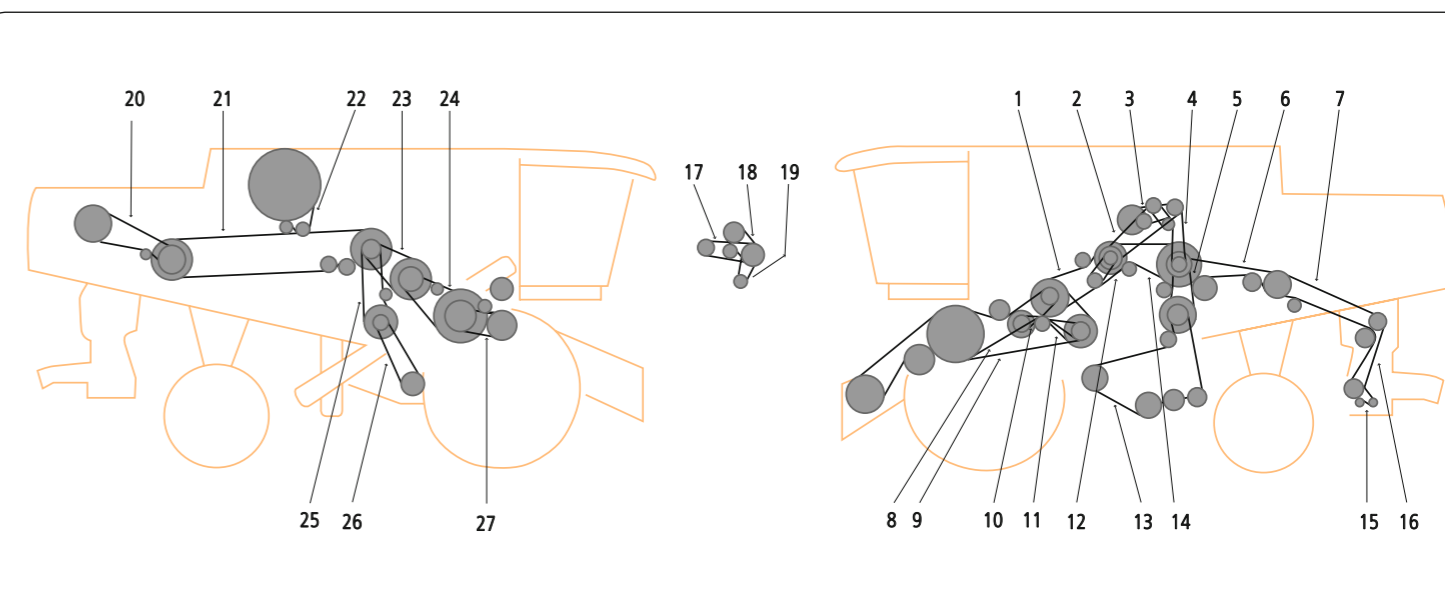
X - not in standard offer / brak w standardowej ofercie

ITEM / POZYCJA	APPLICATION	OPIS	QUANTITY OF V-BELTS IN DRIVE / ILOŚĆ PASÓW W ZESPOLE	OE PART NUMBER / NUMER KATALOGOWY	COMMENT / UWAGI
1	SEPARATOR CYLINDER	NAPĘD BĘBNA SEPARATORA	1	644016.1	
2	HYDRAULIC PUMP	POMPA HYDRAULICZNA	1	656028.0	
3	AIR CONDITIONING COMPRESSOR	NAPĘD KOMPRESORA KLIMATYZACJI	1	621903.1	
4	GRAIN TANK UNLOADING	NAPĘD ZESPOŁU WYSYPU ZBIORNIKA ZBOŻOWEGO	1	660409.0	
6	RETURNS AUGER	NAPĘD ZESPOŁU WIALNI	1	603337.0	
7	SHAKER SHOE DRIVE	NAPĘD ZESPOŁU WIALNI CZYSZCZĄCEJ	1	603336.1	
9	STRAW DISTRIBUTOR	NAPĘD ROZTRZĄSACZA SŁOMY	1	623427.1	
10	STRAW DISTRIBUTOR	NAPĘD ROZTRZĄSACZA SŁOMY	1	755070.1	
13	STRAW CHOPPER DRIVE	NAPĘD ROZDRABNIACZA SŁOMY	1	061214.0	
13	STRAW CHOPPER DRIVE	NAPĘD ROZDRABNIACZA SŁOMY	1	061353.1	
14	CLEANING FAN DRIVE	NAPĘD WIALNI CZYSZCZĄCEJ	1	671209.0	X
15	KNIFE DRIVE	NAPĘD KOSY	2	603017.3	
19	STRAW WALKER DRIVE	NAPĘD WYTRZĄSACZY	1	506671.2	
20			1	545689.0	
21	KNIFE DRIVE	NAPĘD KOSY	1	056961.0	
22	AIR EXHAUST	NAPĘD WENTYLATORA SSĄCEGO	1	644448.0	
23	CYLINDER DRIVE	NAPĘD BĘBNA MŁÓCĄCEGO	1	609823.0	
24	THRESHING MACHINE	NAPĘD MŁOCARNI	1	661220.1	
26			1	661429.0	

X - not in standard offer / brak w standardowej ofercie

ITEM / POZYCJA	APPLICATION	OPIS	QUANTITY OF V-BELTS IN DRIVE / ILOŚĆ PASÓW W ZESPOLE	OE PART NUMBER / NUMER KATALOGOWY	COMMENT / UWAGI
	ALTERNATOR TILL NR. 932002271	ALTERNATOR DO NR. 932002271	1	545954.0	X
	ALTERNATOR FROM NO. 93202272	ALTERNATOR OD NUMERU 93202272	1	796998.0	X
1			1	644016.1	
8			1	644447.0	
9			1	623427.1	
11	N = 660	N = 660	1	785341.0	
11	N = 519	N = 519	1	066034.0	
13	FOR CORN	DO KUKURYDZY	1	061214.0	
13			1	061353.1	
14			1	671209.0	X
15			2	603017.3	
17			1	544147.0	
19			1	506671.2	
20	FROM NO. 93202272	OD NUMERU 93202272	1	821734.2	
20	TO NO. 93202271	DO NUMERU 93202271	1	545689.0	
21			1	056961.0	
22			1	644448.0	
23			1	661427.0	X
24	DRUM VARIABLE SPEED DRIVE	NAPĘD BĘBNA ZMIENNA PRĘDKOŚĆ	1	661220.1	
26	DIRECT DRIVE	NAPĘD BEZPOŚREDNI	1	661429.0	

X - not in standard offer / brak w standardowej ofercie



ITEM / POZYCJA	APPLICATION	OPIS	QUANTITY OF V-BELTS IN DRIVE / ILOŚĆ PASÓW W ZESPOLE	OE PART NUMBER / NUMER KATALOGOWY	COMMENT / UWAGI
2	HYDRAULIC PUMP	POMPA HYDRAULICZNA	1	656028.0	
3	AIR CONDITIONING COMPRESSOR	NAPĘD KOMPRESORA KLIMATYZACJI	1	621903.1	
4			1	544166.0	
5			1	544164.0	
6	RETURNS AUGER	NAPĘD ZESPOŁU WIALNI	1	603337.0	
7	SHAKER SHOE DRIVE	NAPĘD ZESPOŁU WIALNI CZYSZCZĄCEJ	1	644141.1	
9	STRAW DISTRIBUTOR	NAPĘD ROZTRZĄSACZA SŁOMY	1	623427.1	
10	STRAW DISTRIBUTOR	NAPĘD ROZTRZĄSACZA SŁOMY	1	755070.1	
13	STRAW CHOPPER DRIVE	NAPĘD ROZDRABNIACZA SŁOMY	1	061214.0	
14	BLOWER	NAPĘD WIALNI CZYSZCZĄCEJ	1	603380.1	
15			1	609762.0	
19	STRAW WALKER DRIVE	NAPĘD WYTRZĄSACZY	1	506671.2	
23	CYLINDER DRIVE	NAPĘD BĘBNA MŁÓCĄCEGO	1	609823.0	
24	THRESHING MACHINE	NAPĘD MŁOCARNI	1	661220.1	

X - not in standard offer / brak w standardowej ofercie

ITEM / POZYCJA	APPLICATION	OPIS	QUANTITY OF V-BELTS IN DRIVE / ILOŚĆ PASÓW W ZESPOLE	OE PART NUMBER / NUMER KATALOGOWY	COMMENT / UWAGI
1	GROUND DRIVE	NAPĘD JEZDNY	1	644465.0	
2	HYDRAULIC PUMP	POMPA HYDRAULICZNA	1	767057.1	
3	AIR CONDITIONER	KLIMATYZACJA	1	629908.1	
5	THRESHING MECHANISM	ZESPÓŁ MŁOCARNI	1	661458.0	
6			1	603337.0	
7			1	603336.1	
8			1	644447.0	
11	AT 3.6M - 5.1M	DO 3.6M - 5.1M	1	670224.1	X
13	FOR CORN PICKER	DO KUKURYDZY	1	692149.0	
13	FOR CORN PICKER	DO KUKURYDZY	1	692150.0	
16	AT 6.0M - 6.6M	DO 6.0M - 6.6M	1	671013.1	
18	AT 3.6M - 5.1M	DO 3.6M - 5.1M	1	713506.2	
22	FAN	WENTYLATOR	1	671209.0	X
23			2	603017.3	
24	STRAW WALKER	NAPĘD WYTRZĄSACZY	1	506671.2	
27	STRAW CHOPPER	ROZDRABNIACZ SŁOMY	1	060306.2	
29			1	661345.0	
30			1	657793.0	
32	FOR CORN CHOPPER	DO KUKURYDZY - ROZDRABNIACZ	1	061213.0	
32	FOR GRAIN CHOPPER	DO ZIARNA - ROZDRABNIACZ	1	061361.0	
33	AT 2 STAGE DRIVE	NAPĘD DURGII STOPIEŃ	1	609823.0	
35	AT 6.0M - 6.6M	DO 6.0M - 6.6M	1	670224.1	X
37	SUCTION FAN	FILTR	1	644448.0	
41	CHOPPER	ROZDRABNIACZ	1	680334.1	
43	AT PERKINS 1006.6 T	DO PERKINS 1006.6 T	2	147233.1	
43	AT MERCEDES OM 366 A	DO MERCEDES OM 366 A	2	133630.1	

X - not in standard offer / brak w standardowej ofercie

ITEM / POZYCJA	APPLICATION	OPIS	QUANTITY OF V-BELTS IN DRIVE / ILOŚĆ PASÓW W ZESPOLE	OE PART NUMBER / NUMER KATALOGOWY	COMMENT / UWAGI
1	GROUND DRIVE	NAPĘD JEZDNY	1	661362.1	
1	AT MERCEDES OM 366 LA WITH 163 KW	DO MERCEDES OM 366 LA Z 163 KW	1	661451.0	
2	HYDRAULIC PUMP	POMPA HYDRAULICZNA	1	767057.1	
3	AIR CONDITIONER	KLIMATYZACJA	1	629908.1	
4	AT MERCEDES OM 366 LA WITH 163 KW	DO MERCEDES OM 366 LA Z 163 KW	1	660409.0	
5	THRESHING MECHANISM	ZESPÓŁ MŁOCARNI	1	661458.0	
5	AT MERCEDES OM 366 LA WITH 163 KW	DO MERCEDES OM 366 LA Z 163 KW	1	644404.1	
6			1	603337.0	
7			1	644141.1	
7			1	603336.1	
8			1	644447.0	
11	AT 3.9M - 5.1M	DO 3.9M - 5.1M	1	670224.1	X
13	FOR CORN PICKER	DO KUKURYDZY	1	692149.0	
13	FOR CORN PICKER	DO KUKURYDZY	1	692150.0	
13			1	629142.0	
16	AT 6.0M - 7.5M	DO 6.0M - 7.5M	1	671013.1	
18	AT 3.9M - 5.1M	DO 3.9M - 5.1M	1	713506.2	
22			1	671209.0	X
22			1	603380.1	
23	SIEVE PAN	NAPĘD KOSZA SITOWEGO	2	603017.3	
23	SIEVE PAN	NAPĘD KOSZA SITOWEGO	1	609762.0	
24	STRAW WALKER	NAPĘD WYTRZĄSACZY	1	506671.2	
25	STRAW SPREADER	ROZTRZĄSACZ SŁOMY	1	623427.1	
27	STRAW CHOPPER	ROZDRABNIACZ SŁOMY	1	060306.2	
29			1	661345.0	
30			1	657793.0	
32	FOR CORN CHOPPER	DO KUKURYDZY - ROZDRABNIACZ	1	061214.0	
32	TO NO. 09350551	DO NR. 09350551	1	061360.0	
33	AT 2 STAGE DRIVE	NAPĘD DURGII STOPIEŃ	1	609823.0	
35	AT 6.0M - 7.5M	DO 6.0M - 7.5M	1	670224.1	X
37	SUCTION FAN	FILTR	1	644448.0	
41	CHOPPER	ROZDRABNIACZ	1	680334.1	
43	AT PERKINS 1006.6 T	DO PERKINS 1006.6 T	2	147233.1	
43	AT MERCEDES OM 366 LA	DO MERCEDES OM 366 LA	2	133635.1	
43	AT MERCEDES OM 366 A	DO MERCEDES OM 366 A	2	133630.1	

X - not in standard offer / brak w standardowej ofercie

ITEM / POZYCJA	APPLICATION	OPIS	QUANTITY OF V-BELTS IN DRIVE / ILOŚĆ PASÓW W ZESPOLE	OE PART NUMBER / NUMER KATALOGOWY	COMMENT / UWAGI
1	WITH MERCEDES OM 906 LA	Z MERCEDES OM 906 LA	1	644016.1	
1	GROUND DRIVE	NAPĘD JEZDNY	1	661362.1	
1	AT MERCEDES OM 366 LA WITH 163 KW	DO MERCEDES OM 366 LA Z 163 KW	1	661451.0	
2	HYDRAULIC PUMP	POMPA HYDRAULICZNA	1	767057.1	
2	HYDRAULIC PUMP WITH MERCEDES OM 906 LA	POMPA HYDRAULICZNA Z MERCEDES OM 906 LA	1	656028.0	
3	AIR CONDITIONING WITH MERCEDES OM 906 LA	KLIMATYZACJA Z MERCEDES OM 906 LA	1	621903.1	
3	AIR CONDITIONER	KLIMATYZACJA	1	629908.1	
4	AT MERCEDES OM 366 LA WITH 163 KW	DO MERCEDES OM 366 LA Z 163 KW	1	660409.0	
4	GRAIN TANK	GRAIN TANK	1	629769.1	
4			1	544166.0	
5	THRESHING MECHANISM	ZESPÓŁ MŁOCARNI	1	661458.0	
5	WITH MERCEDES OM 906 LA	DO MERCEDES OM 906 LA	1	544164.0	
5	AT MERCEDES OM 366 LA WITH 163 KW	DO MERCEDES OM 366 LA Z 163 KW	1	644404.1	
6			1	603337.0	
7			1	603336.1	
8			1	644447.0	
11	AT 3.9M - 5.1M	DO 3.9M - 5.1M	1	670224.1	X
13	FOR CORN PICKER	DO KUKURYDZY	1	692149.0	
13	FOR CORN PICKER	DO KUKURYDZY	1	692150.0	
13			1	661362.1	
16	AT 6.0M - 7.5M	DO 6.0M - 7.5M	1	671013.1	
18	AT 3.9M - 5.1M	DO 3.9M - 5.1M	1	713506.2	
21	ACCELERATOR	ALTERNATOR	1	661031.1	
22			1	671209.0	X
23	SIEVE PAN	NAPĘD KOSZA SITOWEGO	2	603017.3	
24	STRAW WALKER	NAPĘD WYTRZĄSACZY	1	506671.2	
25	STRAW SPREADER	ROZTRZĄSACZ SŁOMY	1	623427.1	
29			1	545668.1	
29			1	661345.0	
30	MERCEDES OM 366 LA	MERCEDES OM 366 LA	1	657793.0	
30	PERKINS 1006.6 T	PERKINS 1006.6 T	1	657793.0	
30	MERCEDES OM 366 LA 163 KW	MERCEDES OM 366 LA 163 KW	1	661244.0	
30	WITH MERCEDES OM 906 LA	Z MERCEDES OM 906 LA	1	545689.0	
32	FOR CORN - CHOPPER	DO KUKURYDZY - ROZDRABNIACZ	1	061214.0	
32			1	061353.1	
33	AT DOMINATOR 204 MEGA WITH N = 650 - 1500 MIN-1	DO DOMINATOR 204 MEGA Z N = 650 - 1500 MIN-1	1	609823.0	
33	AT 2 STAGE DRIVE	NAPĘD DURGI STOPIEŃ	1	609823.0	
34	AT DOMINATOR 204 MEGA WITH N = 650 - 1500 MIN-1	DO DOMINATOR 204 MEGA Z N = 650 - 1500 MIN-1	1	661220.1	
34	AT 2 STAGE DRIVE	NAPĘD DURGI STOPIEŃ	1	661220.1	
35	AT 6.0M - 7.5M	DO 6.0M - 7.5M	1	670224.1	X
37	SUCTION FAN	FILTR	1	644448.0	
41	CHOPPER	ROZDRABNIACZ	1	680334.1	
43	AT PERKINS 1006.6 T	DO PERKINS 1006.6 T	2	147233.1	
43	MERCEDES 366 LA (147 KW)	MERCEDES 366 LA (147 KW)	2	133635.1	
43	MERCEDES 366 LA (163 KW)	MERCEDES 366 LA (163 KW)	2	133642.0	

X - not in standard offer / brak w standardowej ofercie

ITEM / POZYCJA	APPLICATION	OPIS	QUANTITY OF V-BELTS IN DRIVE / ILOŚĆ PASÓW W ZESPOLE	OE PART NUMBER / NUMER KATALOGOWY	COMMENT / UWAGI
1	GROUND DRIVE	NAPĘD JEZDNY	1	661362.1	
1	AT MERCEDES OM 366 LA WITH 163 KW	DO MERCEDES OM 366 LA Z 163 KW	1	661451.0	
2	HYDRAULIC PUMP	POMPA HYDRAULICZNA	1	767057.1	
3	AIR CONDITIONER	KLIMATYZACJA	1	629908.1	
4	AT MERCEDES OM 366 LA WITH 163 KW	DO MERCEDES OM 366 LA Z 163 KW	1	660409.0	
5	THRESHING MECHANISM	ZESPÓŁ MŁOCARNI	1	661458.0	
5	AT MERCEDES OM 366 LA WITH 163 KW	DO MERCEDES OM 366 LA Z 163 KW	1	644404.1	
6			1	603337.0	
7	GRAIN ELEVATOR - 204 MEGA FROM NO. 09350930	NAPĘD PRZENOŚNIKA ZBOŻOWEGO - 204 MEGA OD NUMERU 09350930	1	644141.1	
8			1	644447.0	
11	AT 3.9M - 5.1M	DO 3.9M - 5.1M	1	670224.1	X
13	FOR CORN PICKER	DO KUKURYDZY	1	692149.0	
13	FOR CORN PICKER	DO KUKURYDZY	1	692150.0	
13			1	629142.0	
16	AT 6.0M - 7.5M	DO 6.0M - 7.5M	1	671013.1	
18	AT 3.9M - 5.1M	DO 3.9M - 5.1M	1	713506.2	
22			1	603380.1	
23	SIEVE PAN	NAPĘD KOSZA SITOWEGO	1	609762.0	
24	STRAW WALKER	NAPĘD WYTRZĄSACZY	1	506671.2	
25	STRAW SPREADER	ROZTRZĄSACZ SŁOMY	1	623427.1	
27	STRAW CHOPPER	ROZDRABNIACZ SŁOMY	1	060306.2	
29			1	661345.0	
30			1	657793.0	
32	FOR CORN CHOPPER	DO KUKURYDZY - ROZDRABNIACZ	1	061214.0	
32	TO NO. 09350551	DO NR. 09350551	1	061360.0	
33	AT DOMINATOR 204 MEGA WITH N = 650 - 1500 MIN-1	DO DOMINATOR 204 MEGA Z N = 650 - 1500 MIN-1	1	609823.0	
33	AT 2 STAGE DRIVE	NAPĘD DURGI STOPIEŃ	1	609823.0	
35	AT 6.0M - 7.5M	DO 6.0M - 7.5M	1	670224.1	X
37	SUCTION FAN	FILTR	1	644448.0	
41	CHOPPER	ROZDRABNIACZ	1	680334.1	
43	AT PERKINS 1006.6 T	DO PERKINS 1006.6 T	2	147233.1	
43	AT MERCEDES OM 366 LA	DO MERCEDES OM 366 LA	2	133635.1	
43	AT MERCEDES OM 366 A	DO MERCEDES OM 366 A	2	133630.1	

X - not in standard offer / brak w standardowej ofercie

ITEM / POZYCJA	APPLICATION	OPIS	QUANTITY OF V-BELTS IN DRIVE / ILOŚĆ PASÓW W ZESPOLE	OE PART NUMBER / NUMER KATALOGOWY	COMMENT / UWAGI
1	WITH MERCEDES OM 906 LA	Z MERCEDES OM 906 LA	1	644016.1	
1	GROUND DRIVE	NAPĘD JEZDNY	1	661362.1	
1	AT MERCEDES OM 366 LA WITH 163 KW	DO MERCEDES OM 366 LA WITH 163 KW	1	661451.0	
2	HYDRAULIC PUMP	POMPA HYDRAULICZNA	1	767057.1	
2	HYDRAULIC PUMP WITH MERCEDES OM 906 LA	POMPA HYDRAULICZNA Z MERCEDES OM 906 LA	1	656028.0	
3	AIR CONDITIONING WITH MERCEDES OM 906 LA	KLIMATYZACJA Z MERCEDES OM 906 LA	1	621903.1	
3	AIR CONDITIONER	KLIMATYZACJA	1	629908.1	
4	AT MERCEDES OM 366 LA WITH 163 KW	DO MERCEDES OM 366 LA Z 163 KW	1	660409.0	
4	GRAIN TANK	ZBIORNIK ZIARNA	1	629769.1	
4			1	544166.0	
5	THRESHING MECHANISM	ZESPÓŁ MŁOCARNI	1	661458.0	
5	WITH MERCEDES OM 906 LA	Z MERCEDES OM 906 LA	1	544164.0	
5	AT MERCEDES OM 366 LA WITH 163 KW	DO MERCEDES OM 366 LA Z 163 KW	1	644404.1	
6			1	603337.0	
7			1	644141.1	
8			1	644447.0	
11	AT 3.9M - 5.1M	DO 3.9M - 5.1M	1	670224.1	X
13	FOR CORN PICKER	DO KUKURYDZY	1	692149.0	
13	FOR CORN PICKER	DO KUKURYDZY	1	692150.0	
13			1	661362.1	
16	AT 6.0M - 7.5M	DO 6.0M - 7.5M	1	671013.1	
18	AT 3.9M - 5.1M	DO 3.9M - 5.1M	1	713506.2	
21			1	661031.1	
22			1	603380.1	
23	SIEVE PAN	NAPĘD KOSZA SITOWEGO	1	609762.0	
24	STRAW WALKER	NAPĘD WYTRZĄSACZY	1	506671.2	
25	STRAW SPREADER	ROZTRZĄSACZ SŁOMY	1	623427.1	
27	STRAW CHOPPER	ROZDRABNIACZ SŁOMY	1	644538.0	
29			1	545668.1	
29			1	661345.0	
30	MERCEDES OM 366 LA	MERCEDES OM 366 LA	1	657793.0	
30	PERKINS 1006.6 T	PERKINS 1006.6 T	1	657793.0	
30	MERCEDES OM 366 LA 163 KW	MERCEDES OM 366 LA 163 KW	1	661244.0	
30	WITH MERCEDES OM 906 LA	Z MERCEDES OM 906 LA	1	545689.0	
32	FOR CORN - CHOPPER	DO KUKURYDZY - ROZDRABNIACZ	1	061214.0	
32			1	061353.1	
32			1	644539.0	
33	AT DOMINATOR 204 MEGA WITH N = 650 - 1500 MIN-1	DO DOMINATOR 204 MEGA Z N = 650 - 1500 MIN-1	1	609823.0	
33	AT 2 STAGE DRIVE	NAPĘD DURGI STOPIEŃ	1	609823.0	
34	AT DOMINATOR 204 MEGA WITH N = 650 - 1500 MIN-1	DO DOMINATOR 204 MEGA Z N = 650 - 1500 MIN-1	1	661220.1	
34	AT 2 STAGE DRIVE	NAPĘD DURGI STOPIEŃ	1	661220.1	
35	AT 6.0M - 7.5M	DO 6.0M - 7.5M	1	670224.1	X
37	SUCTION FAN	FILTR	1	644448.0	
41	CHOPPER	ROZDRABNIACZ	1	680334.1	
43	AT PERKINS 1006.6 T	DO PERKINS 1006.6 T	2	147233.1	
43	MERCEDES 366 LA (147 KW)	MERCEDES 366 LA (147 KW)	2	133635.1	
43	MERCEDES 366 LA (163 KW)	MERCEDES 366 LA (163 KW)	2	133642.0	

X - not in standard offer / brak w standardowej ofercie

ITEM / POZYCJA	APPLICATION	OPIS	QUANTITY OF V-BELTS IN DRIVE / ILOŚĆ PASÓW W ZESPOLE	OE PART NUMBER / NUMER KATALOGOWY	COMMENT / UWAGI
1	OM 441 A GROUND DRIVE	OM 441 A NAPĘD JEZDNY	1	661239.1	
1	OM 366 LA GROUND DRIVE	OM 366 LA NAPĘD JEZDNY	1	661451.0	
2	OM 441 A HYDRAULIC PUMP	OM 441 A POMPA HYDRAULICZNA	1	633030.2	
2	OM 366 LA HYDRAULIC PUMP	OM 366 LA POMPA HYDRAULICZNA	1	767057.1	
3	OM 366 LA AIR CONDITIONING	OM 366 LA KLIMATYZACJA	1	629908.1	
3	OM 441 A AIR CONDITIONING	OM 441 A KLIMATYZACJA	1	661114.0	
4	OM 366 LA GRAIN TANK	OM 366 LA ZBIORNIK ZIARNA	1	660409.0	
4	OM 441 A GRAIN TANK	OM 441 A ZBIORNIK ZIARNA	1	661093.0	
5	OM 441 A THRESHING MECHANISM	OM 441 A ZESPÓŁ MŁOCARNI	1	644403.0	
5	OM 366 LA THRESHING MECHANISM	OM 366 LA ZESPÓŁ MŁOCARNI	1	644404.1	
6			1	603337.0	
7			1	644141.1	
8			1	644447.0	
11	AT 4.5M - 5.1M	DO 4.5M - 5.1M	1	670224.1	X
13	FOR CORN PICKER	DO KUKURYDZY	1	692149.0	
13	FOR CORN PICKER	DO KUKURYDZY	1	692150.0	
13			1	629142.0	
16	AT 6.0M - 9.0M	DO 6.0M - 9.0M	1	671013.1	
18	AT 4.5M - 5.1M	DO 4.5M - 5.1M	1	713506.2	
20			1	644399.0	
22	FAN	WENTYLATOR	1	603380.1	
23	SIEVE BOX	KOSZ SITOWY	1	609762.0	
24	STRAW WALKER	NAPĘD WYTRZĄSACZY	1	506671.2	
25	STRAW SPREADER	ROZTRZĄSACZ SŁOMY	1	623427.1	
30			1	661345.0	
31	OM 366 LA INTERMEDIATE DRIVE	OM 366 LA WAŁ POŚREDNI	1	661244.0	
31	OM 441 A INTERMEDIATE DRIVE	OM 441 A WAŁ POŚREDNI	1	661245.0	
33	FOR CORN CHOPPER	DO KUKURYDZY - ROZDRABNIACZ	1	061214.0	
33	FOR GRAIN CHOPPER	DO ZIARNA - ROZDRABNIACZ	1	061353.1	
34	DRUM GEAR	ZESPÓŁ BĘBNA	1	609823.0	
35	AT N 510 - 1400 MIN-1	DO N 510 - 1400 MIN-1	1	661298.0	
36	AT 6.0M - 9.0M	DO 6.0M - 9.0M	1	670224.1	X
41	CHOPPER	ROZDRABNIACZ	1	680334.1	
42			1	644448.0	

X - not in standard offer / brak w standardowej ofercie



ITEM / POZYCJA	APPLICATION	OPIS	QUANTITY OF V-BELTS IN DRIVE / ILOŚĆ PASÓW W ZESPOLE	OE PART NUMBER / NUMER KATALOGOWY	COMMENT / UWAGI
1	OM 441 A GROUND DRIVE	OM 441 A NAPĘD JEZDNY	1	661239.1	
1	OM 366 LA GROUND DRIVE	OM 366 LA NAPĘD JEZDNY	1	661451.0	
2	OM 441 A HYDRAULIC PUMP	OM 441 A POMPA HYDRAULICZNA	1	633030.2	
2	OM 366 LA HYDRAULIC PUMP	OM 366 LA POMPA HYDRAULICZNA	1	767057.1	
3	OM 366 LA AIR CONDITIONING	OM 366 LA KLIMATYZACJA	1	629908.1	
3	OM 441 A AIR CONDITIONING	OM 441 A KLIMATYZACJA	1	661114.0	
4	OM 366 LA GRAIN TANK	OM 366 LA ZBIORNIK ZIARNA	1	660409.0	
4	OM 441 A GRAIN TANK	OM 441 A ZBIORNIK ZIARNA	1	661093.0	
5	OM 441 A THRESHING MECHANISM	OM 441 A ZESPÓŁ MŁOCARNI	1	644403.0	
5	OM 366 LA THRESHING MECHANISM	OM 366 LA ZESPÓŁ MŁOCARNI	1	644404.1	
6			1	603337.0	
7			1	644141.1	
8			1	644447.0	
11	AT 4.5M - 5.1M	DO 4.5M - 5.1M	1	670224.1	X
13	FOR CORN PICKER	DO KUKURYDZY	1	692149.0	
13	FOR CORN PICKER	DO KUKURYDZY	1	692150.0	
13			1	629142.0	
16	AT 6.0M - 9M	DO 6.0M - 9M	1	671013.1	
18	AT 4.5M - 5.1M	DO 4.5M - 5.1M	1	713506.2	
21	ACCELERATOR	ALTERNATOR	1	661031.1	
22	FAN	WENTYLATOR	1	603380.1	
23	SIEVE BOX	KOSZ SITOWY	1	609762.0	
24	STRAW WALKER	NAPĘD WYTRZĄSACZY	1	506671.2	
25	STRAW SPREADER	ROZTRZĄSACZ SŁOMY	1	623427.1	
27	STRAW CHOPPER FROM NO. 94501059	ROZDRABNIACZ SŁOMY OD NUMERU 94501059	1	644538.0	
30			1	661345.0	
31	OM 366 LA INTERMEDIATE DRIVE	OM 366 LA WAŁ POŚREDNI	1	661244.0	
31	OM 441 A INTERMEDIATE DRIVE	OM 441 A WAŁ POŚREDNI	1	661245.0	
33	FOR CORN CHOPPER	DO KUKURYDZY - ROZDRABNIACZ	1	061214.0	
33	FOR GRAIN CHOPPER TO NO. 94501058	DO ZIARNA - ROZDRABNIACZ DO NR. 94501058	1	061353.1	
33	FOR GRAIN CHOPPER FROM NO. 94501059	DO ZIARNA - ROZDRABNIACZ OD NUMERU 94501059	1	644539.0	
34	DRUM GEAR	ZESPÓŁ BĘBNA	1	609823.0	
35	DRUM DRIVE	NAPĘD BĘBNA MŁOČĄCEGO	1	661220.1	
36	AT 6.0M - 9M	DO 6.0M - 9M	1	670224.1	X
41	CHOPPER	ROZDRABNIACZ	1	680334.1	
42	TO NO. 94501058	DO NR. 94501058	1	644448.0	
42	FOR FROM NO. 94501059	OD NUMERU 94501059	1	644537.0	

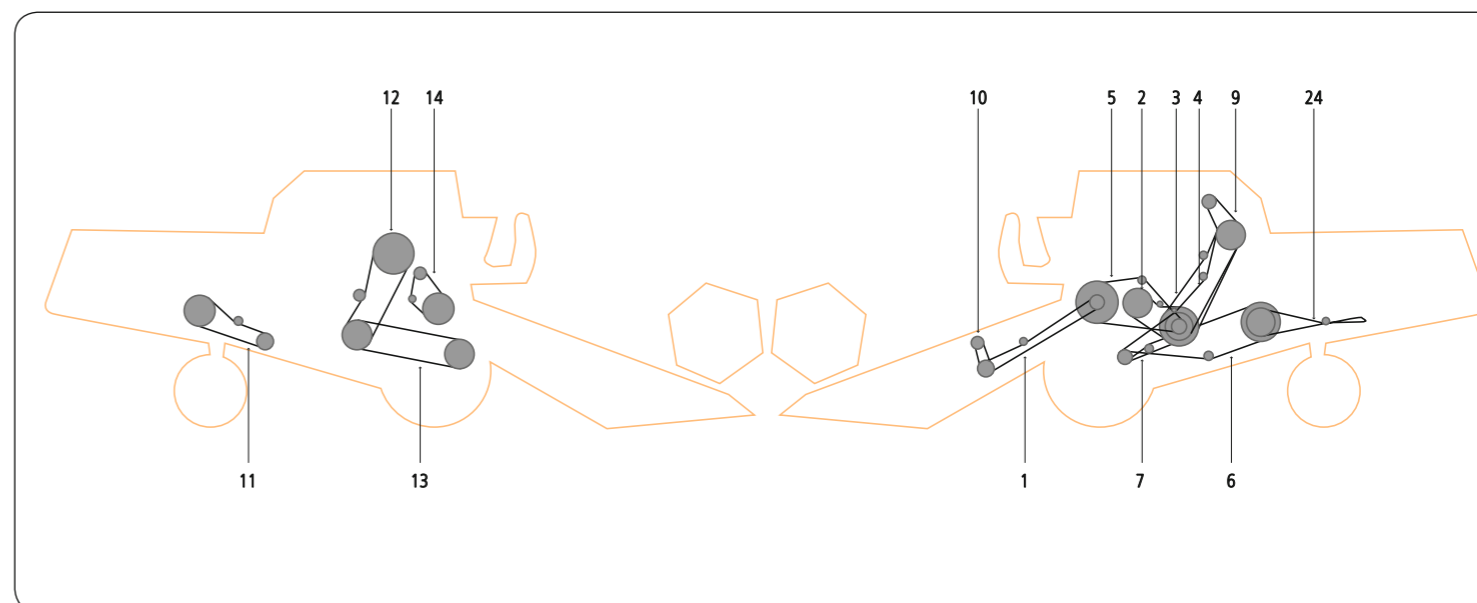
X - not in standard offer / brak w standardowej ofercie

ITEM / POZYCJA	APPLICATION	OPIS	QUANTITY OF V-BELTS IN DRIVE / ILOŚĆ PASÓW W ZESPOLE	OE PART NUMBER / NUMER KATALOGOWY	COMMENT / UWAGI
	ALTERNATOR FROM NR. 83500255	ALTERNATOR OD NR. 83500255	1	545954.0	X
	ALTERNATOR FROM NO. 83500256	ALTERNATOR OD NUMERU 83500256	1	796998.0	X
1			1	644016.1	
2			1	656028.0	
3			1	621903.1	
4			1	544166.0	
5			1	544164.0	
6			1	603337.0	
6			1	667238.0	
7			1	644141.1	
8			1	644447.0	
9			1	623427.1	
11	N = 660	N = 660	1	785341.0	
11	N = 519	N = 519	1	066034.0	
13			1	544172.0	
14			1	603380.1	
15			1	609762.0	
17			1	644538.0	
19			1	506671.2	
20	FROM NO. 83500256	OD NUMERU 83500256	1	821734.2	
20	TO NO. 83500255	DO NR. 83500255	1	545689.0	
21	TO NO. 83500255	DO NR. 83500255	1	545668.1	
22			1	644537.0	
23	TWO STAGE DRIVE	NAPĘD DWUSTOPNIOWY	1	661427.0	X
24	DRUM VARIABLE SPEED DRIVE N = 650 - 1500	NAPĘD BĘBNA MŁOČĄCEGO ZMIENNA PRĘDKOŚĆ N = 650 - 1500	1	661220.1	

X - not in standard offer / brak w standardowej ofercie

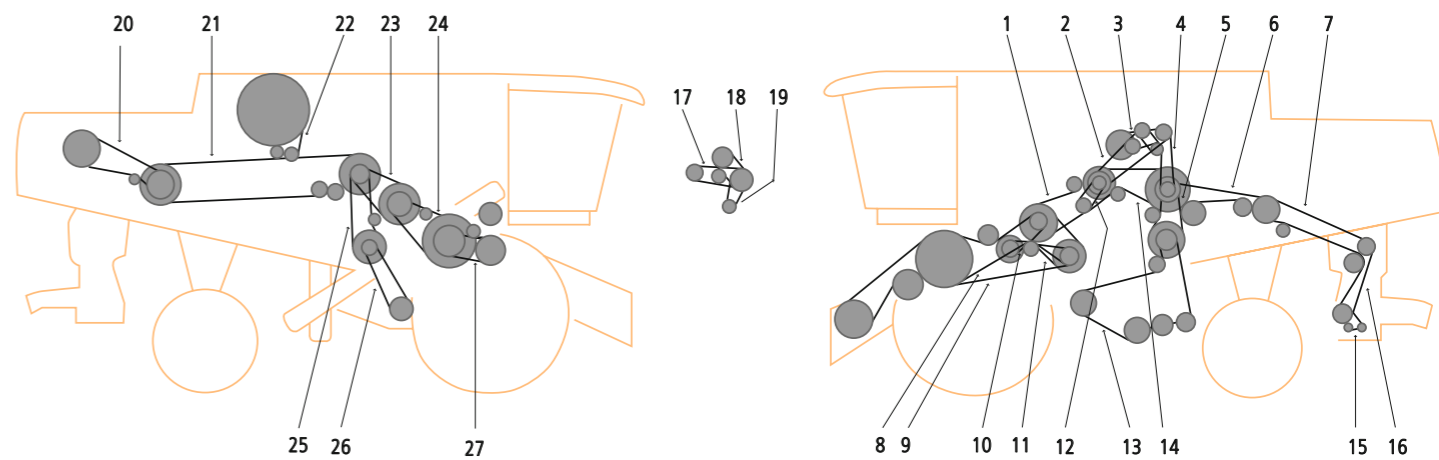
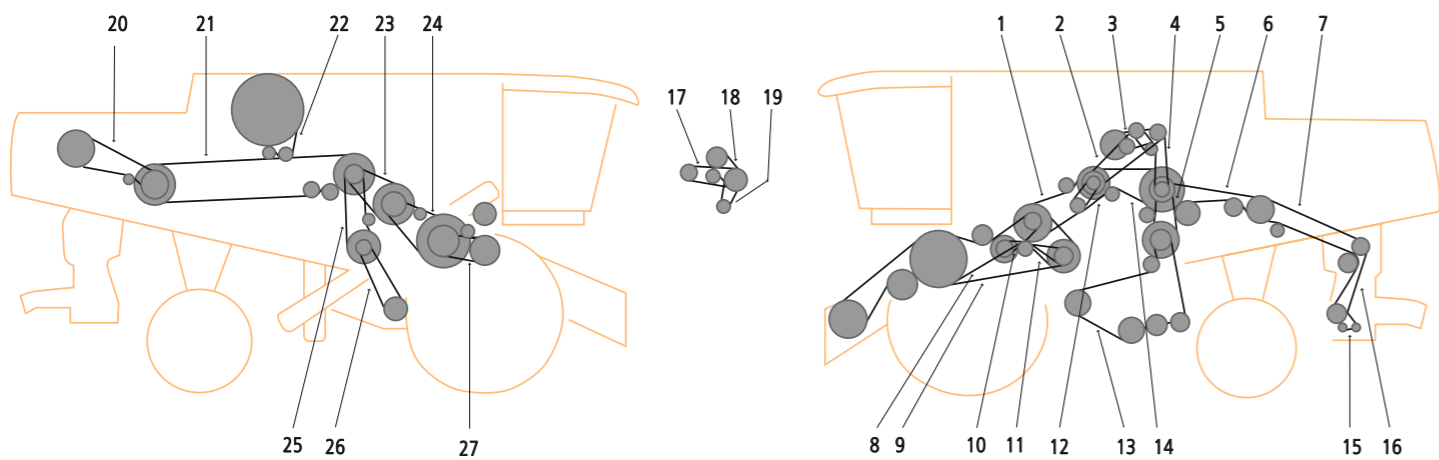
ITEM / POZYCJA	APPLICATION	OPIS	QUANTITY OF V-BELTS IN DRIVE / ILOŚĆ PASÓW W ZESPOLE	OE PART NUMBER / NUMER KATALOGOWY	COMMENT / UWAGI
	ALTERNATOR DRIVE (TILL NR. 84500261)	NAPĘD ALTERNATORA (DO NR. 84500261)	1	545954.0	X
	ALTERNATOR DRIVE (FROM NR. 84500262)	NAPĘD ALTERNATORA (OD NR. 84500262)	1	796998.0	X
1			2	544049.1	
2			1	656028.0	
2			1	629002.1	
3			1	621903.1	
4			1	544166.0	
5			1	544164.0	
6			1	603337.0	
6			1	667238.0	
7			1	644141.1	
8			1	644447.0	
9			1	623427.1	
11			1	785341.0	
11			1	066034.0	
13			1	544172.0	
14			1	603380.1	
15			1	609762.0	
17			1	644538.0	
19			1	506671.2	
20	FROM NR. 84500262	OD NR. 84500262	1	821734.2	
20	TO NR. 84500261	DO NR. 84500261	1	545689.0	
21	TO NR. 84500261	DO NR. 84500261	1	545668.1	
22			1	644537.0	
23	TO NR. 84500386	DO NR. 84500386	1	609823.0	
23	FROM NR. 84500387	OD NR. 84500387	1	661427.0	X
24	DRUM DRIVE VARIABLE SPEED (N=650-1500 RPM)	NAPĘD BĘBNA MŁÓCĄCEGO ZMIENNA PREKOŚĆ(N=650-1500 RPM)	1	661220.1	

X - not in standard offer / brak w standardowej ofercie



ITEM / POZYCJA	APPLICATION	OPIS	QUANTITY OF V-BELTS IN DRIVE / ILOŚĆ PASÓW W ZESPOLE	OE PART NUMBER / NUMER KATALOGOWY	COMMENT / UWAGI
1	HEADER DRIVE	NAPĘD HEDERA	2	610830.0	
1	HEADER DRIVE	NAPĘD HEDERA	1	610833.0	
2	CYLINDER DRIVE	NAPĘD BĘBNA MŁÓCĄCEGO	2	617309.0	
3	MAIN DRIVE	NAPĘD GŁÓWNY	1	630144.0	
3	MAIN DRIVE	NAPĘD GŁÓWNY	1	653059.0	
3	MAIN DRIVE	NAPĘD GŁÓWNY	1	653062.0	
3	MAIN DRIVE	NAPĘD GŁÓWNY	1	653064.0	
4	MAIN DRIVE	NAPĘD BĘBNA MŁÓCĄCEGO	1	653060.0	
5	CUTTING TABLE	NAPĘD PRZENOŚNIKA POCHYLEGO	1	653063.0	
6	SHAKER SHOE DRIVE	NAPĘD KOSZA SITOWEGO	1	653120.0	
7	CLEANING FAN DRIVE	NAPĘD WIALNI CZYSZCZĄCEJ	1	653121.0	
8	STRAW SPREADER DRIVE	NAPĘD ROZTRZĄSACZA SŁOMY	1	653450.0	
9	HYDRAULIC PUMP DRIVE	NAPĘD POMPY HYDRAULICZNEJ	1	656028.0	
10	REEL DRIVE	NAPĘD MOTOWIDŁA	1	778561.0	X
11	STRAW WALKER DRIVE	NAPĘD WYTRZĄSACZY	1	653933.0	
12	UNLOADER DRIVE	NAPĘD WYSYPU	1	654534.0	
13	TRACTION DRIVE	NAPĘD JAZDY	1	655408.0	
14	THROW OFF DRIVE	NAPĘD ODRZUTNIKA SŁOMY	1	750294.0	

X - not in standard offer / brak w standardowej ofercie

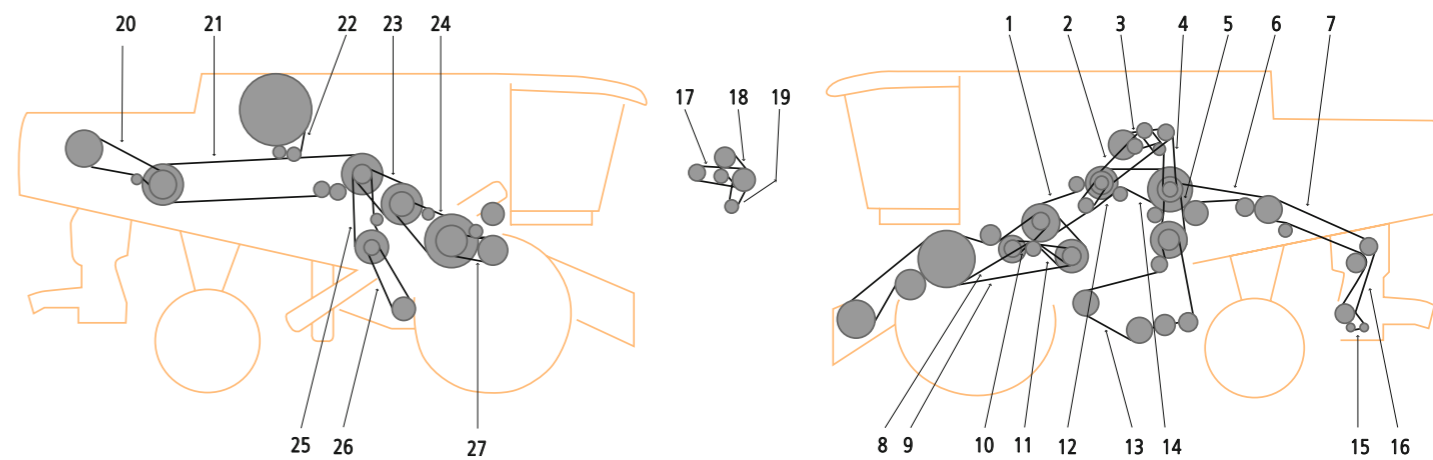
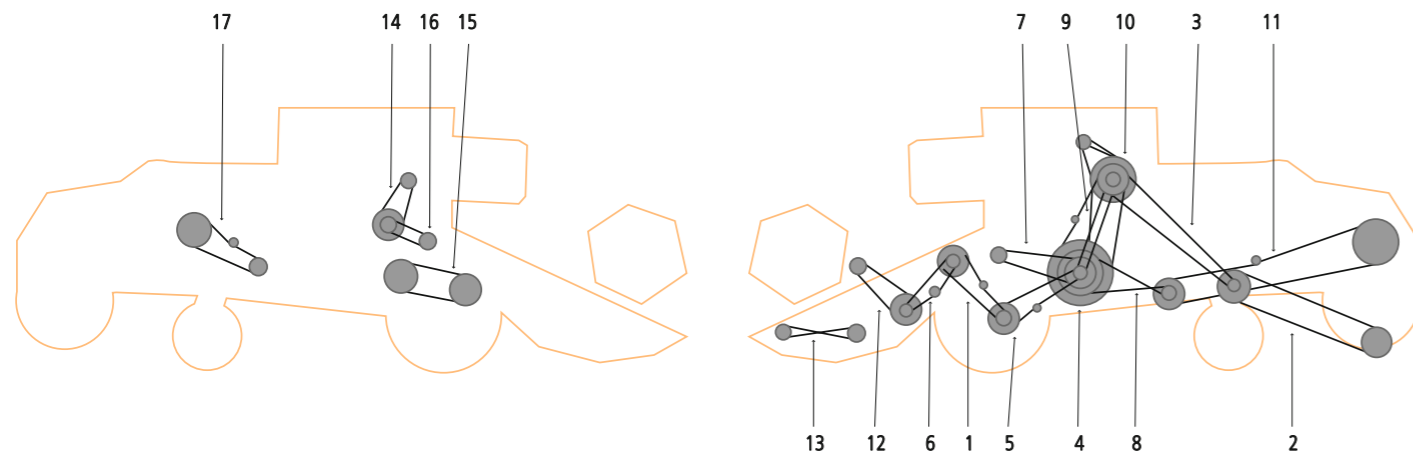


ITEM / POZYCJA	APPLICATION	OPIS	QUANTITY OF V-BELTS IN DRIVE / ILOŚĆ PASÓW W ZESPOLE	OE PART NUMBER / NUMER KATALOGOWY	COMMENT / UWAGI
1	MAIN DRIVE	NAPĘD GŁÓWNY	1	653060.0	
2	HYDRAULIC PUMP DRIVE	NAPĘD POMPY HYDRAULICZNEJ	1	656028.0	
3	MAIN DRIVE	NAPĘD GŁÓWNY	1	630144.0	
3	MAIN DRIVE	NAPĘD GŁÓWNY	1	653059.0	
3	MAIN DRIVE	NAPĘD GŁÓWNY	1	653062.0	
3	MAIN DRIVE	NAPĘD GŁÓWNY	1	653064.0	
4	REEL DRIVE	NAPĘD MOTOWIDŁA	1	778561.0	X
5	HEADER DRIVE	NAPĘD HEDERA	2	610830.0	
5	HEADER DRIVE	NAPĘD HEDERA	1	610833.0	
6	CUTTING TABLE	NAPĘD PRZENOŚNIKA POCHYLEGO	1	653063.0	
7	CYLINDER DRIVE	NAPĘD BĘBNA MŁÓCĄCEGO	2	617309.0	
8	CLEANING FAN DRIVE	NAPĘD WIALNI CZYSZCZĄCEJ	1	653121.0	
9	SHAKER SHOE DRIVE	NAPĘD KOSZA SITOWEGO	1	653120.0	
10	GRAIN TANK DRIVE	NAPĘD KOSZA SITOWEGO	1	634019.0	
10	GRAIN TANK DRIVE	NAPĘD ZBIORNIKA ZBOŻOWEGO	1	653450.0	
11	STRAW WALKER DRIVE	NAPĘD WYTRZĄSACZY	1	653933.0	
11	STRAW WALKER DRIVE	NAPĘD WYTRZĄSACZY	1	755070.0	
12	TURNING DRUM DRIVE	NAPĘD ODRZUTNIKA SŁOMY	1	750294.0	
13	UNLOADER AUGER DRIVE	NAPĘD ŚLIMAKA WYSYPU ZBIORNIKA	1	653779.0	
14	TRACTION DRIVE	NAPĘD JAZDY	1	655408.0	

X - not in standard offer / brak w standardowej ofercie

ITEM / POZYCJA	APPLICATION	OPIS	QUANTITY OF V-BELTS IN DRIVE / ILOŚĆ PASÓW W ZESPOLE	OE PART NUMBER / NUMER KATALOGOWY	COMMENT / UWAGI
1	MAIN DRIVE	NAPĘD GŁÓWNY	1	653060.0	
2	HYDRAULIC PUMP DRIVE	NAPĘD POMPY HYDRAULICZNEJ	1	656028.0	
3	MAIN DRIVE	NAPĘD GŁÓWNY	1	630144.0	
3	MAIN DRIVE	NAPĘD GŁÓWNY	1	653059.0	
3	MAIN DRIVE	NAPĘD GŁÓWNY	1	653062.0	
3	MAIN DRIVE	NAPĘD GŁÓWNY	1	653064.0	
4	REEL DRIVE	NAPĘD MOTOWIDŁA	1	778561.0	X
5	HEADER DRIVE	NAPĘD HEDERA	2	610830.0	
5	HEADER DRIVE	NAPĘD HEDERA	1	610833.0	
6	CUTTING TABLE	NAPĘD PRZENOŚNIKA POCHYLEGO	1	653063.0	
7	CYLINDER DRIVE	NAPĘD BĘBNA MŁÓCĄCEGO	2	617309.0	
8	CLEANING FAN DRIVE	NAPĘD WIALNI CZYSZCZĄCEJ	1	653380.0	
9	SHAKER SHOE DRIVE	NAPĘD KOSZA SITOWEGO	1	653120.0	
10	GRAIN TANK DRIVE	NAPĘD KOSZA SITOWEGO	1	634019.0	
10	GRAIN TANK DRIVE	NAPĘD KOSZA SITOWEGO	1	653450.0	
11	TURNING DRUM	NAPĘD ODRZUTNIKA SŁOMY	1	750294.0	
12	STRAW WALKER DRIVE	NAPĘD WYTRZĄSACZY	1	653933.0	
12	STRAW WALKER DRIVE	NAPĘD WYTRZĄSACZY	1	755070.0	
13	UNLOADER DRIVE	NAPĘD WYSYPU	1	654534.0	
14	TRACTION DRIVE	NAPĘD JAZDY	1	655408.0	
15	SHAKER SHAFT DRIVE	NAPĘD WYTRZĄSACZY	1	687046.0	

X - not in standard offer / brak w standardowej ofercie

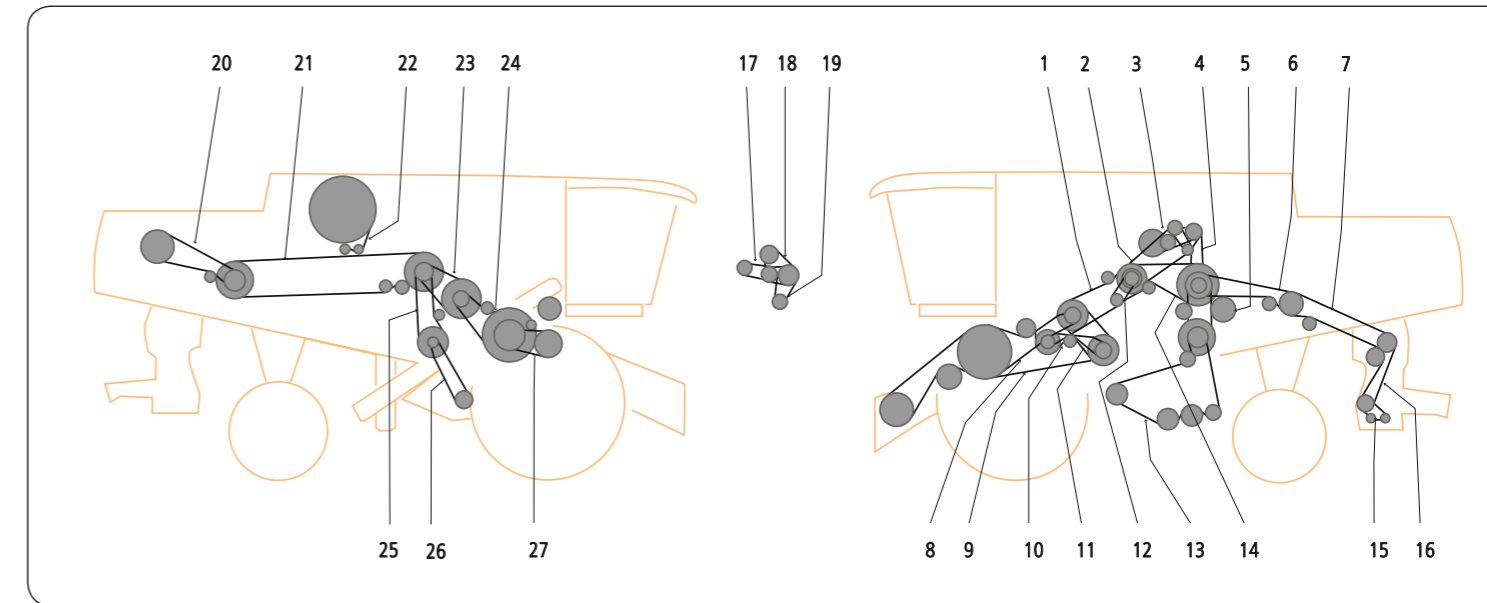
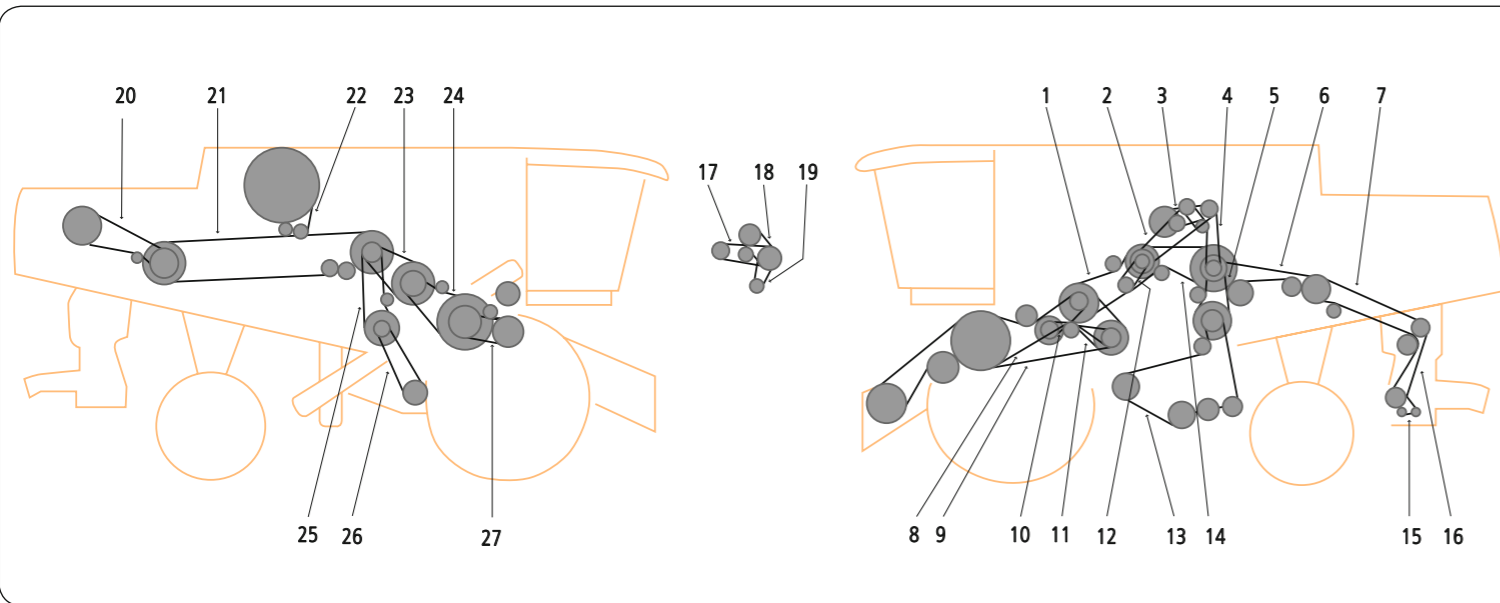


ITEM / POZYCJA	APPLICATION	OPIS	QUANTITY OF V-BELTS IN DRIVE / ILOŚĆ PASÓW W ZESPOLE	OE PART NUMBER / NUMER KATALOGOWY	COMMENT / UWAGI
1	CUTTING TABLE	NAPĘD PRZENOŚNIKA POCHYLEGO	1	610197.0	
1	CUTTING TABLE	NAPĘD PRZENOŚNIKA POCHYLEGO	1	500863.0	
3	STRAW CHOPPER DRIVE	NAPĘD ROZDRABNIACZA SŁOMY	1	551068.0	
4	MAIN DRIVE	NAPĘD GŁÓWNY	1	630144.0	
5	SHAKER SHOE FANNING MILL	NAPĘD WIALNI, WYTRZĄSACZY	1	610835.0	X
5	SHAKER SHOE FANNING MILL	NAPĘD WIALNI, WYTRZĄSACZY	1	610196.0	X
5	SHAKER SHOE FANNING MILL	NAPĘD WIALNI, WYTRZĄSACZY	1	653121.0	
6	HEADER DRIVE	NAPĘD HEDERA	1	610833.0	
7	CYLINDER DRIVE	NAPĘD BĘBNA MŁÓCĄCEGO	2	617309.0	
8	SHAKER SHOE DRIVE	NAPĘD KOSZA SITOWEGO	1	623252.0	
9	MAIN DRIVE	NAPĘD GŁÓWNY	1	630043.0	
9	MAIN DRIVE	NAPĘD GŁÓWNY	1	630025.0	
10	HYDRAULIC PUMP DRIVE	NAPĘD POMPY HYDRAULICZNEJ	1	767057.0	
11	SHAKER SHOE DRIVE	NAPĘD KOSZA SITOWEGO	1	772658.0	
12	REEL DRIVE	NAPĘD MOTOWIDŁA	1	778561.0	X
13	PICK-UP	NAPĘD PODBIERACZA PRASY	1	800309.0	
14	UNLOADER AUGER DRIVE	NAPĘD ŚLIMAKA WYSYPU ZBIORNIKA	1	636021.0	
14	UNLOADER AUGER DRIVE	NAPĘD ŚLIMAKA WYSYPU ZBIORNIKA	1	636021.1	
15	TRACTION DRIVE	NAPĘD JAZDY	1	630156.0	X
16	TURNING DRUM DRIVE	NAPĘD ODRZUTNIKA SŁOMY	1	750294.0	
17	STRAW WALKER DRIVE	NAPĘD WYTRZĄSACZY	1	801222.0	

X - not in standard offer / brak w standardowej ofercie

ITEM / POZYCJA	APPLICATION	OPIS	QUANTITY OF V-BELTS IN DRIVE / ILOŚĆ PASÓW W ZESPOLE	OE PART NUMBER / NUMER KATALOGOWY	COMMENT / UWAGI
1	BALER	NAPĘD PRASY	1	500863.0	
2	RADIATOR FAN	NAPĘD WENTYLATORA CHŁODNICY	1	758662.0	
2	RADIATOR FAN	NAPĘD WENTYLATORA CHŁODNICY	1	758719.0	
3	KNIFE DRIVE	NAPĘD KOSY	1	770214.0	
3	KNIFE DRIVE	NAPĘD KOSY	2	778717.0	
4	UNLOADER AUGER DRIVE	NAPĘD ŚLIMAKA WYSYPU ZBIORNIKA	1	775698.0	
5	REEL DRIVE	NAPĘD MOTOWIDŁA	1	778561.0	X
6	CYLINDER DRIVE	NAPĘD BĘBNA MŁÓCĄCEGO	1	779039.0	X
7	CUTTING TABLE	NAPĘD POŚREDNI HEDERA	1	779214.0	
7	CUTTING TABLE	NAPĘD POŚREDNI HEDERA	1	779272.0	
8	UNLOADER AUGER DRIVE	NAPĘD ŚLIMAKA WYSYPU ZBIORNIKA	1	780419.0	
9	PICK-UP	NAPĘD PODBIERACZA PRASY	1	800309.0	
10	STRAW CHOPPER DRIVE	NAPĘD ROZDRABNIACZA SŁOMY	1	551190.0	
11	TRACTION DRIVE	NAPĘD JAZDY	1	751112.0	
13	TRACTION DRIVE	NAPĘD JAZDY	1	758853.0	
14	THRESHING MACHINE	NAPĘD MŁOCARNI	1	758854.0	
16	SHAKER SHAFT DRIVE	NAPĘD WYTRZĄSACZY	1	779212.0	X
17	SHAKER SHAFT DRIVE	NAPĘD WYTRZĄSACZY	1	779213.0	

X - not in standard offer / brak w standardowej ofercie



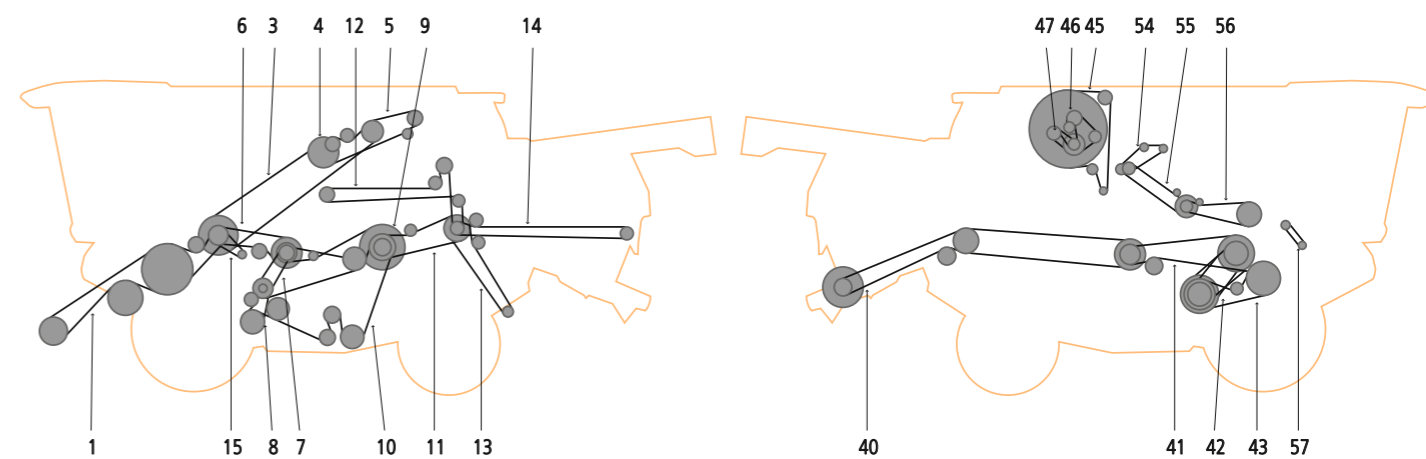
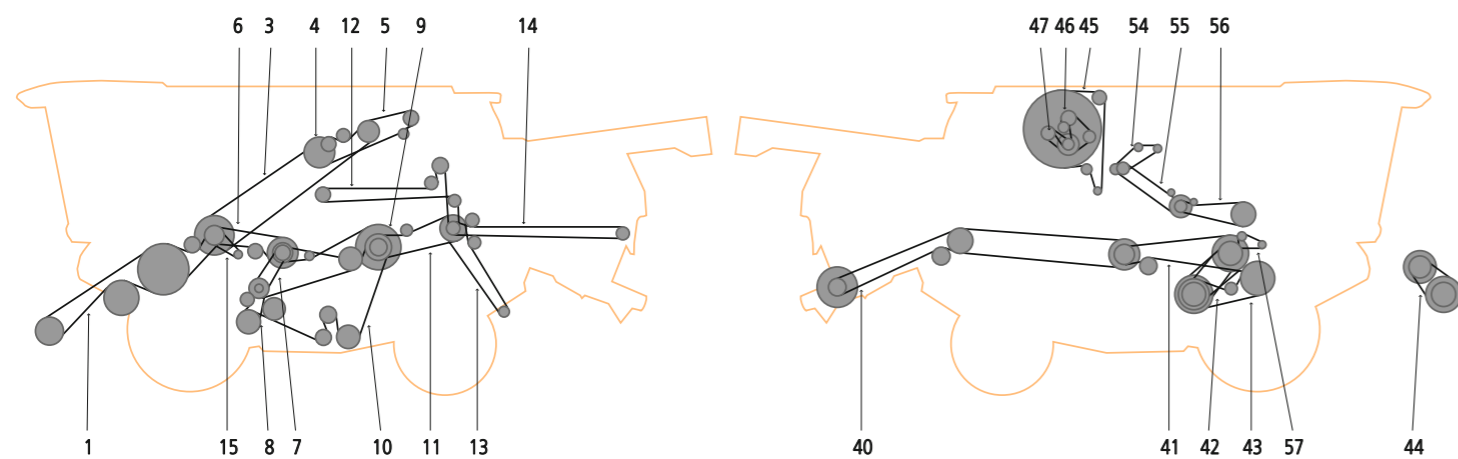
ITEM / POZYCJA	APPLICATION	OPIS	QUANTITY OF V-BELTS IN DRIVE / ILOŚĆ PASÓW W ZESPOLE	OE PART NUMBER / NUMER KATALOGOWY	COMMENT / UWAGI
1	HEADER DRIVE	NAPĘD HEDERA	2	610830.0	
1	HEADER DRIVE	NAPĘD HEDERA	1	610833.0	
2	CYLINDER DRIVE	NAPĘD BĘBNA MŁÓCĄCEGO	2	617309.0	
3	MAIN DRIVE	NAPĘD GŁÓWNY	1	630144.0	
3	MAIN DRIVE	NAPĘD GŁÓWNY	1	653059.0	
3	MAIN DRIVE	NAPĘD GŁÓWNY	1	653062.0	
3	MAIN DRIVE	NAPĘD GŁÓWNY	1	653064.0	
4	CYLINDER DRIVE	NAPĘD BĘBNA MŁÓCĄCEGO	1	653060.0	
5	CUTTING TABLE	NAPĘD PRZENOŚNIKA POCHYLEGO	1	653063.0	
6	SHAKER SHOE DRIVE	NAPĘD KOSZA SITOWEGO	1	653120.0	
7	CLEANING FAN DRIVE	NAPĘD WIALNI CZYSZCZĄCEJ	1	653121.0	
8	CLEANING FAN DRIVE	NAPĘD WIALNI CZYSZCZĄCEJ	1	653450.0	
9	HYDRAULIC PUMP DRIVE	NAPĘD POMPY HYDRAULICZNEJ	1	656028.0	
10	REEL DRIVE	NAPĘD MOTOWIDŁA	1	778561.0	X
11	UNLOADER DRIVE	NAPĘD WYSYPU	1	653779.0	
12	STRAW WALKER DRIVE	NAPĘD WYTRZĄSACZY	1	653933.0	
13	TRACTION DRIVE	NAPĘD JAZDY	1	655408.0	
14	TURNING DRUM DRIVE	NAPĘD ODRZUTNIKA SŁOMY	1	750294.0	

X - not in standard offer / brak w standardowej ofercie

ITEM / POZYCJA	APPLICATION	OPIS	QUANTITY OF V-BELTS IN DRIVE / ILOŚĆ PASÓW W ZESPOLE	OE PART NUMBER / NUMER KATALOGOWY	COMMENT / UWAGI
1	HEADER DRIVE	NAPĘD HEDERA	2	610830.0	
1	HEADER DRIVE	NAPĘD HEDERA	1	610833.0	
2	CYLINDER DRIVE	NAPĘD BĘBNA MŁÓCĄCEGO	2	617309.0	
3	MAIN DRIVE	NAPĘD GŁÓWNY	1	630144.0	
3	MAIN DRIVE	NAPĘD GŁÓWNY	1	653059.0	
3	MAIN DRIVE	NAPĘD GŁÓWNY	1	653062.0	
3	MAIN DRIVE	NAPĘD GŁÓWNY	1	653064.0	
4	HYDRAULIC PUMP DRIVE	NAPĘD POMPY HYDRAULICZNEJ	1	633030.0	
5	CYLINDER DRIVE	NAPĘD BĘBNA MŁÓCĄCEGO	1	653060.0	
6	CUTTING TABLE	NAPĘD PRZENOŚNIKA POCHYLEGO	1	653063.0	
7	SHAKER SHOE DRIVE	NAPĘD KOSZA SITOWEGO	1	653120.0	
8	CLEANING FAN DRIVE	NAPĘD WIALNI CZYSZCZĄCEJ	1	653121.0	
8	CLEANING FAN DRIVE	NAPĘD WIALNI CZYSZCZĄCEJ	1	653380.0	
9	REEL DRIVE	NAPĘD MOTOWIDŁA	1	778561.0	X
10	TRACTION DRIVE	NAPĘD JAZDY	1	631904.0	X
10	TRACTION DRIVE	NAPĘD JAZDY	1	655408.0	
11	UNLOADER DRIVE	NAPĘD WYSYPU	1	654013.0	
12	TURNING DRUM DRIVE	NAPĘD ODRZUTNIKA SŁOMY	1	750294.0	
13	STRAW WALKER DRIVE	NAPĘD WYTRZĄSACZY	1	653933.0	
13	STRAW WALKER DRIVE	NAPĘD WYTRZĄSACZY	1	801222.0	

X - not in standard offer / brak w standardowej ofercie



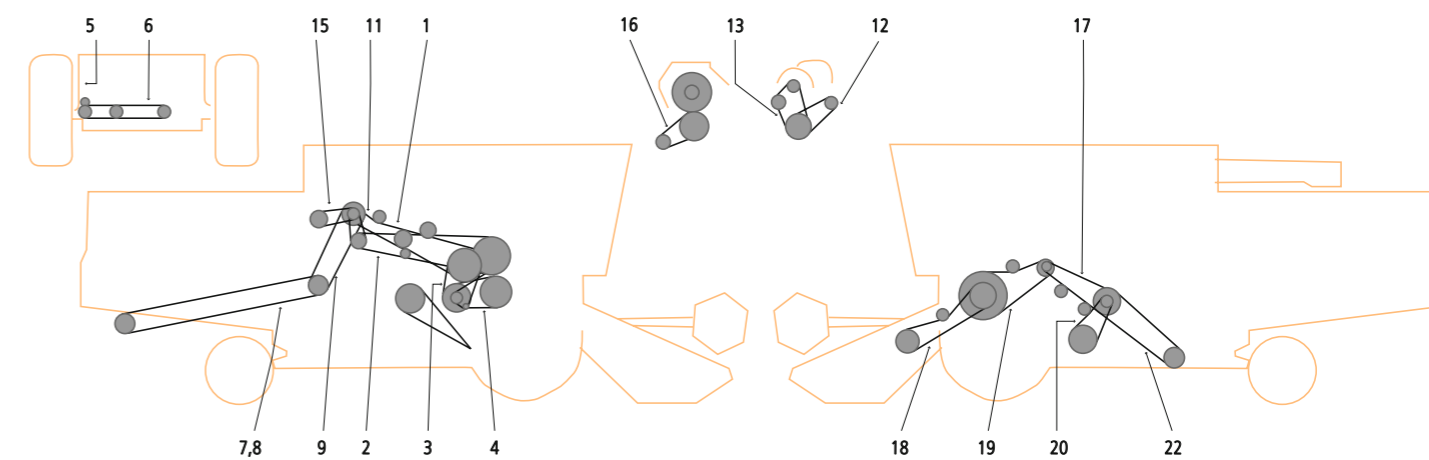
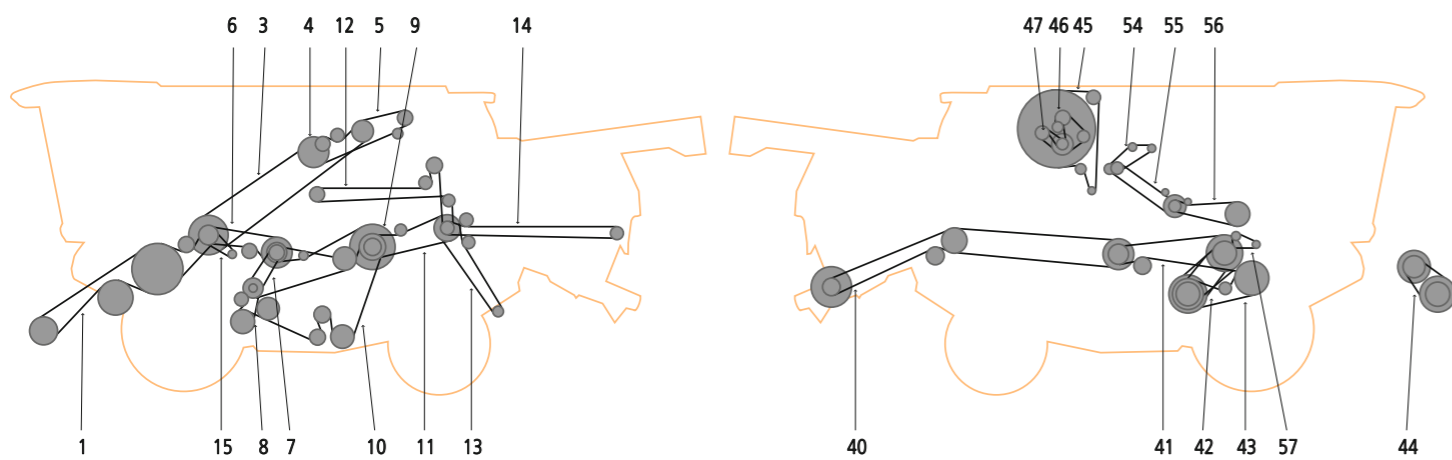


ITEM / POZYCJA	APPLICATION	OPIS	QUANTITY OF V-BELTS IN DRIVE / ILOŚĆ PASÓW W ZESPOLE	OE PART NUMBER / NUMER KATALOGOWY	COMMENT / UWAGI
1			2	554017.0	
3			1	549099.0	
4			1	667251.1	
5	STRAW WALKER	WYTRZĄSACZ	2	603247.1	
6	BLOWER	NAPĘD WIALNI CZYSZCZĄCEJ	1	603337.0	
7			1	644362.0	
8	ROTARY SIEVE DRIVE	NAPĘD KOSZA FILTRACYJNEGO	1	644267.0	
9	FAN INTERMEDIATE DRIVE	NAPĘD POŚREDNI WIALNI	1	644141.1	
10	SIEVE PAN	NAPĘD KOSZA SITOWEGO	1	609762.0	
11	STRAW WALKER	WYTRZĄSACZ	1	506671.2	
12	STRAW WALKER DRIVE	NAPĘD WYTRZĄSACZY	1	644447.0	
13			1	544216.0	
14			1	629402.0	
15	ROTARY SIEVE DRIVE	NAPĘD KOSZA FILTRACYJNEGO	1	633030.2	
40			1	544172.0	
41	STRAW CHOPPER	NAPĘD POŚREDNI ROZDRABNIACZA SŁOMY	1	061700.1	
42	THRESHING DRUM	NAPĘD MŁOCARNI	1	661427.0	X
43	THRESHING MACHINE	NAPĘD MŁOCARNI	1	661220.1	
44			1	661429.0	
45	CLEANING FAN DRIVE	NAPĘD WIALNI CZYSZCZĄCEJ	1	077276.0	
46			1	799181.0	X
47			1	549752.0	
54			1	549538.1	X
55			1	552312.0	X
56			1	552312.0	X
57			1	600981.0	X

X - not in standard offer / brak w standardowej ofercie

ITEM / POZYCJA	APPLICATION	OPIS	QUANTITY OF V-BELTS IN DRIVE / ILOŚĆ PASÓW W ZESPOLE	OE PART NUMBER / NUMER KATALOGOWY	COMMENT / UWAGI
1			2	554017.0	
3			1	549099.0	
4			1	667251.1	
5			2	544049.1	
6	BLOWER	NAPĘD WIALNI CZYSZCZĄCEJ	1	603337.0	
7			1	644362.0	
8			1	538714.0	
9	FAN INTERMEDIATE DRIVE	NAPĘD POŚREDNI WIALNI	1	644141.1	
10	SIEVE PAN	NAPĘD KOSZA SITOWEGO	1	609762.0	
11	STRAW WALKER	WYTRZĄSACZ	1	506671.2	
12	STRAW WALKER DRIVE	NAPĘD WYTRZĄSACZY	1	644447.0	
13			1	544216.0	
14			1	629402.0	
15	ROTARY SIEVE DRIVE	NAPĘD KOSZA FILTRACYJNEGO	1	633030.2	
40			1	544172.0	
41	STRAW CHOPPER	NAPĘD POŚREDNI ROZDRABNIACZA SŁOMY	1	061700.1	
42	THRESHING DRUM	NAPĘD MŁOCARNI	1	661427.0	X
43	THRESHING MACHINE	NAPĘD MŁOCARNI	1	661220.1	
44			1	661429.0	
45	CLEANING FAN DRIVE	NAPĘD WIALNI CZYSZCZĄCEJ	1	077276.0	
46			1	799181.0	X
47			1	549752.0	
54			1	549538.1	X
55			1	552312.0	X
56			1	552312.0	X
57			1	600981.0	X

X - not in standard offer / brak w standardowej ofercie

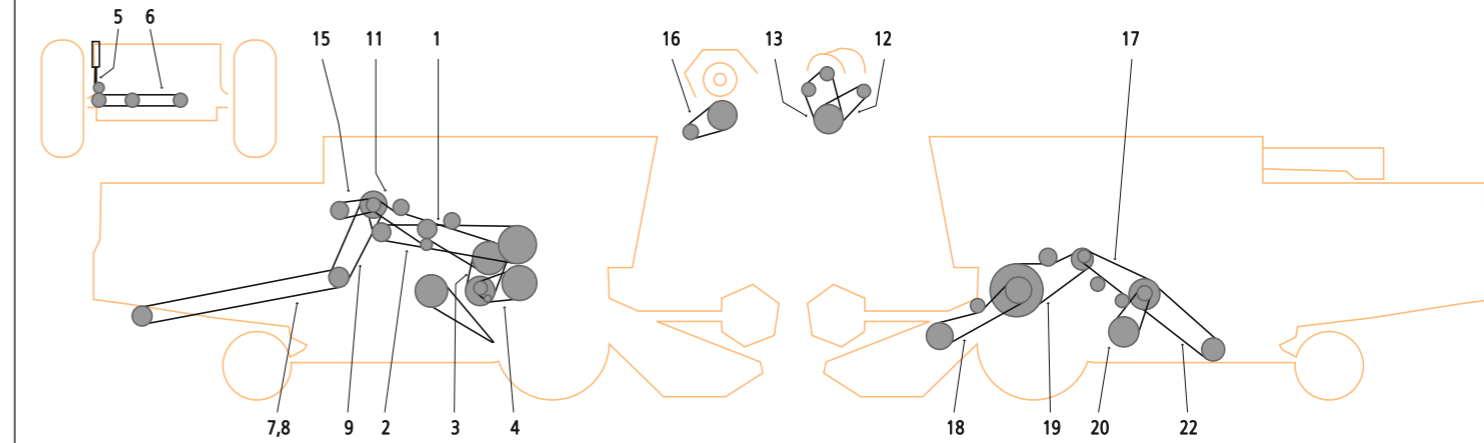
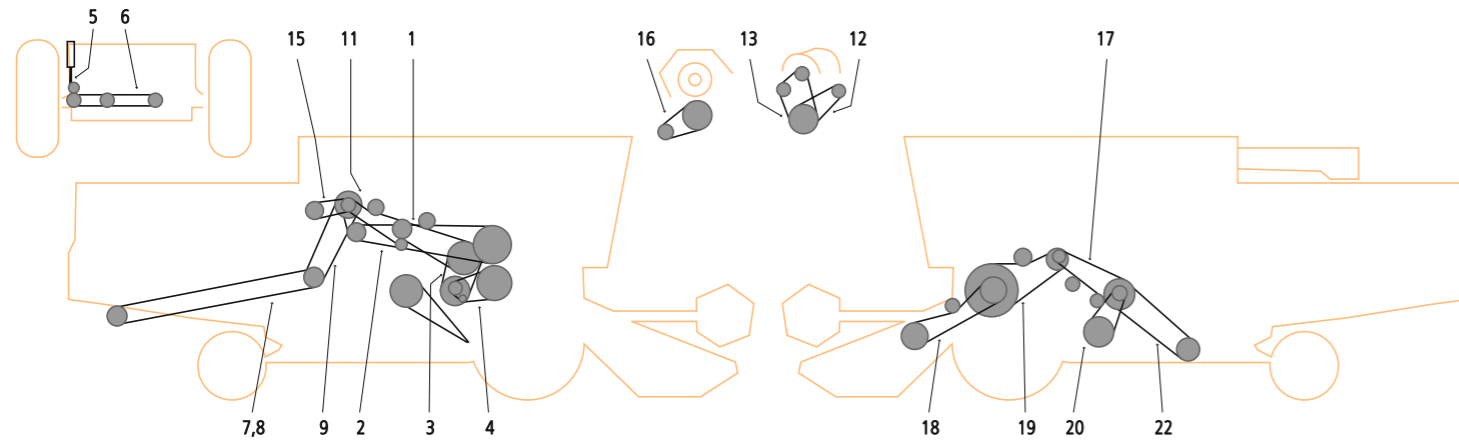


ITEM / POZYCJA	APPLICATION	OPIS	QUANTITY OF V-BELTS IN DRIVE / ILOŚĆ PASÓW W ZESPOLE	OE PART NUMBER / NUMER KATALOGOWY	COMMENT / UWAGI
1			2	549055.0	
2			1	661031.1	
3			1	549099.0	
4			1	667251.1	
5			2	544049.1	
6	BLOWER	NAPĘD WIALNI CZYSZCZĄCEJ	1	603337.0	
7			1	644362.0	
8			1	538714.0	
9	FAN INTERMEDIATE DRIVE	NAPĘD POŚREDNI WIALNI	1	644141.1	
10			1	549151.0	
10	SIEVE PAN	NAPĘD KOSZA SITOWEGO	1	609762.0	
11	STRAW WALKER	WYTRZĄSACZ	1	506671.2	
12	STRAW WALKER DRIVE	NAPĘD WYTRZĄSACZY	1	644447.0	
13			1	544216.0	
14			1	629402.0	
15	ROTARY SIEVE DRIVE	NAPĘD KOSZA FILTRACYJNEGO	1	633030.2	
40			1	544172.0	
41	STRAW CHOPPER	NAPĘD POŚREDNI ROZDRABNIACZA SŁOMY	1	061700.1	
42	THRESHING DRUM	NAPĘD MŁOCARNI	1	661427.0	X
43	THRESHING MACHINE	NAPĘD MŁOCARNI	1	661220.1	
45	CLEANING FAN DRIVE	NAPĘD WIALNI CZYSZCZĄCEJ	1	077276.0	
46			1	799181.0	X
47			1	549752.0	
54			1	549538.1	X
55			1	552312.0	X
56			1	552312.0	X
57			1	600981.0	X

X - not in standard offer / brak w standardowej ofercie

ITEM / POZYCJA	APPLICATION	OPIS	QUANTITY OF V-BELTS IN DRIVE / ILOŚĆ PASÓW W ZESPOLE	OE PART NUMBER / NUMER KATALOGOWY	COMMENT / UWAGI
0			1	01141510	
0			1	01141789	
0			1	01141530	
0	CUTTING TABLE	NAPĘD PRZENOŚNIKA POCHYLEGO	1	01141941	
0	IMPELLER DRUM DRIVE	NAPĘD ODRZUTNIKA	1	01141591	
0	ENGINE	ODBIÓR MOCY Z SILNIKA	1	01141613	X
0	AIR CONDITIONING COMPRESSOR	NAPĘD KOMPRESORA KLIMATYZACJI	1	06212866	
1	ENGINE - STRAW STRIPPER DRUM	ODBIÓR MOCY SILNIK - ODRZUTNIK	1	06215248	
2	ENGINE - GRAIN TANK EMPTYING	ODBIÓR MOCY SILNIK - WYSYP ZBIORNIKA ZBOŻA	2	01141666	
3	THRESHING DRUM	NAPĘD MŁOCARNI	1	06215222	
4	COUNTERSHAFT - THRESING DRUM	NAPĘD WAŁKA POŚREDNIEGO MŁOCARNI	3	06256546	
5	STRAW WALKERS TRANSMISSION - FAN	NAPĘD WYTRZĄSACZA SŁOMY	1	01139242	
6	CLEANING FAN DRIVE	NAPĘD WIALNI CZYSZCZĄCEJ	1	06210890	
8	STRAW CHOPPER DRIVE	NAPĘD ROZDRABNIACZA SŁOMY	1	01141645	
8	STRAW CHOPPER DRIVE	NAPĘD ROZDRABNIACZA SŁOMY	1	01141749	
9	ENGINE - CHOPPER TRANSMISSION	NAPĘD POŚREDNI ROZDRABNIACZA SŁOMY	1	1210737011900	
11	ENGINE - GRAIN TANK CLUTCH	NAPĘD SPRZĘGŁA ZBIORNIKA ZBOŻA	1	01141613	X
12	ALTERNATOR DRIVE	NAPĘD ALTERNATORA	1	02235180	
13	BLOWER DRIVE	NAPĘD WENTYLATORA CHŁODNICY	1	02235177	
13	BLOWER DRIVE	NAPĘD WENTYLATORA CHŁODNICY	2	02234343	
15	AIR CONDITIONING COMPRESSOR	NAPĘD KOMPRESORA KLIMATYZACJI	1	01139229	
16	ALTERNATOR DRIVE	NAPĘD ALTERNATORA	1	02235713	
17	STRAW STRIPPER DRUM - WALKERS TRANSMISSION	PRZENIESIENIE NAPĘDU ODRZUTNIK - WYTRZĄSACZE	2	06256619	
18	CUTTING TABLE	NAPĘD PRZENOŚNIKA POCHYLEGO	2	01141595	
18	MAIZE PICKING - ATTACHMENTS DRIVE	PRZYSTAWKA KUKURYDZIANA	1	01141615	
19	STRAW STRIPPER DRUM - FEED CHANNEL	NAPĘD POŚREDNI PRZENOŚNIKA POCHYLEGO	1	01141608	
19	STRAW STRIPPER DRUM - FEED CHANNEL MAIZEEQ	NAPĘD POŚREDNI PRZENOŚNIKA POCHYLEGO	1	06215268	
20	WALKERS TRANSMISSION - SHAKER SHOE TRANSMISSION	NAPĘD WYTRZĄSACZA KOSZA SITOWEGO	1	06256714	
22	WALKERS TRANSMISSION - RETURNS ELEVATOR	NAPĘD WYTRZĄSACZA PRZENOŚNIKA KŁOSOWEGO	1	06210917	

X - not in standard offer / brak w standardowej ofercie

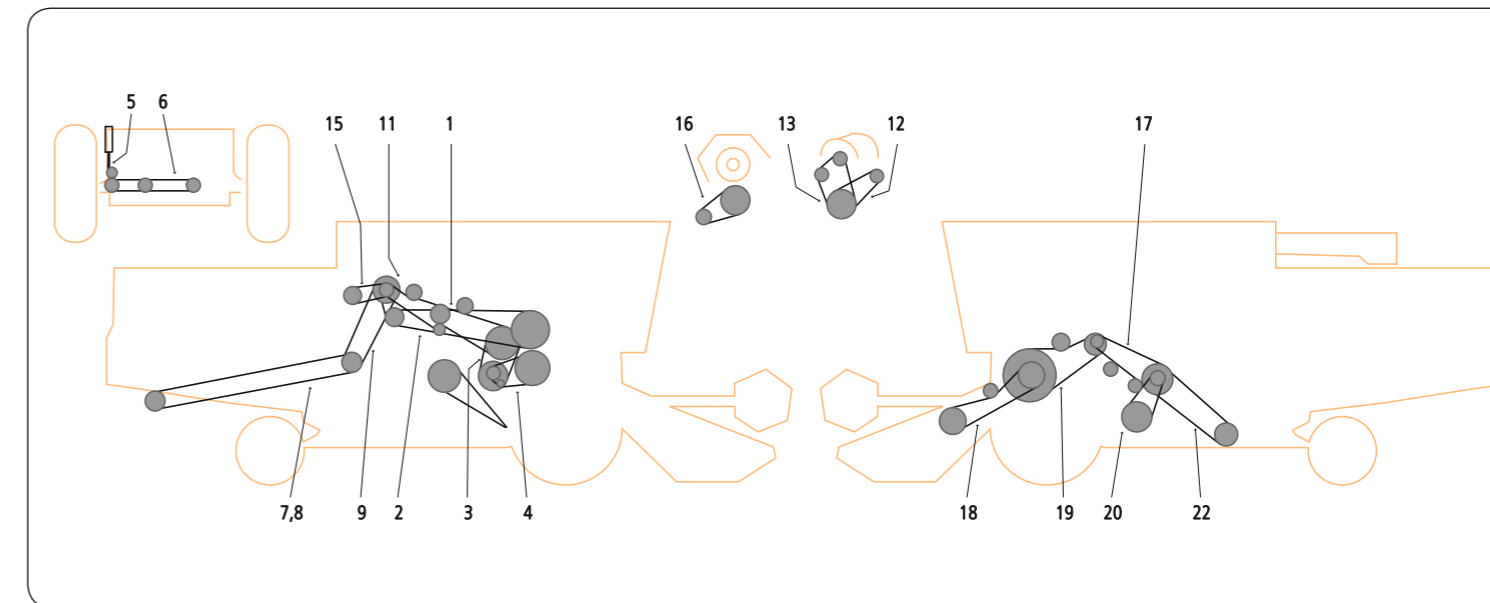
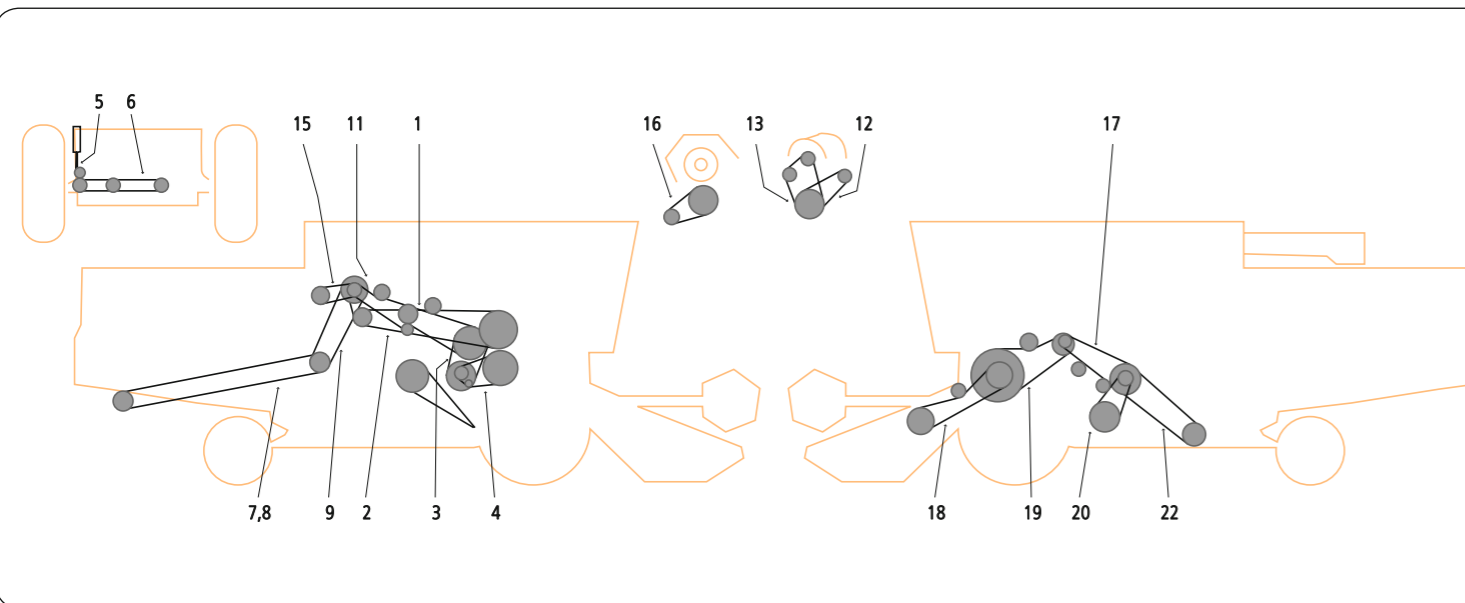


ITEM / POZYCJA	APPLICATION	OPIS	QUANTITY OF V-BELTS IN DRIVE / ILOŚĆ PASÓW W ZESPOLE	OE PART NUMBER / NUMER KATALOGOWY	COMMENT / UWAGI
1	STRAW STRIPPER DRUM	NAPĘD BĘBNA MŁÓCĄCEGO	1	06234476	
2	UNLOADING DRIVE	NAPĘD ZESPOŁU WYŁADUNKU	1	06212915	
3	TRACTION DRIVE	NAPĘD JAZDY	1	06236657	X
4	STRAW CHOPPER COUNTERSHAFT	NAPĘD ROZDRABNIACZA SŁOMY	1	06211034	
5	PLATFORM CHANNEL	NAPĘD PRZENOŚNIKA	1	06311053	
6	COUNTERSHAFT PICK UP	WAŁ POŚREDNI - PODBIERACZ	1	01130742	
7	PICK-UP	NAPĘD PODBIERACZA PRASY	1	06210915	
8	GRAIN ELEVATOR	NAPĘD PRZENOŚNIKA ZBOŻOWEGO	1	06210922	
8	GRAIN ELEVATOR	NAPĘD PRZENOŚNIKA ZBOŻOWEGO	1	880022000000	X
9	STRAW BALER	NAPĘD PRASY	1	01139090	
10	COUNTERSHAFT BALER	WAŁ POŚREDNI - PRASA	1	01139089	
11	STRAW CHOPPER	NAPĘD ROZDRABNIACZA SŁOMY	1	01139085	
12			1	06212870	
13	REEL DRIVE	NAPĘD MOTOWIDŁA	1	06215195	
14	RETURNS ELEVATOR	ELEWATOR KŁOSOWY	1	01100903	
15	SHAKER SHOE DRIVE	NAPĘD ZESPOŁU KOSZA SITOWEGO	1	01116080	X
15	RADIATOR FAN	NAPĘD WENTYLATORA CHŁODNICY	1	01139216	
15	ALTERNATOR DRIVE	NAPĘD ALTERNATORA	1	01139217	

X - not in standard offer / brak w standardowej ofercie

ITEM / POZYCJA	APPLICATION	OPIS	QUANTITY OF V-BELTS IN DRIVE / ILOŚĆ PASÓW W ZESPOLE	OE PART NUMBER / NUMER KATALOGOWY	COMMENT / UWAGI
1	ANGULAR GEAR - STRAW STRIPPER DRUM	NAPĘD PRZEKŁADNI	1	06234476	
2	COUNTERSHAFT - GRAIN TANK	WAŁEK POŚREDNI - ZBIORNIK ZBOŻOWY	1	06212915	
3	ANGULAR GEAR - TRAVEL DRIVE	NAPĘD PRZEKŁADNI	1	06236657	X
4	STRAW STRIPPER DRUM - RETURN AUGER	NAPĘD ŚLIMAKA	1	06211034	
5	STRAW STRIPPER DRUM - CONVEYOR PASSAGE	PRZENOŚNIK	1	06211053	
6	ANGULAR GEAR - CHOPPER TRANSMISSION	NAPĘD PRZEKŁADNI	1	06211001	
7	CHOPPER TRANSMISSION - CHOPPER / M660	NAPĘD SIECZKARNI	1	01139082	
7	CHOPPER TRANSMISSION - CHOPPER / M770	NAPĘD SIECZKARNI	1	06211004	
9	GRAIN AUGER - STRAW WALKER	NAPĘD PRZENOŚNIKA ŚLIMAKOWEGO	1	06210922	
10	RETURN AUGER - CHOPPER / M660	NAPĘD ŚLIMAKA PRZENOŚNIKA KŁOSOWEGO	1	01139085	
10	RETURN AUGER - CHOPPER / M770	NAPĘD ŚLIMAKA PRZENOŚNIKA KŁOSOWEGO	1	06211010	
11	STRAW STRIPPER DRUM - COUNTERSHAFT	NAPĘD ODRZUTNIKA SŁOMY	1	01139247	
15	COUNTERSHAFT - REEL COUNTERSHAFT	MOTOWIDŁO	1	06212870	
16	REEL COUNTERSHAFT - REEL COUNTERSHAFT	MOTOWIDŁO	1	06215195	
18	RETURN AUGER - VARIATOR	NAPĘD ŚLIMAKA PRZENOŚNIKA KŁOSOWEGO	1	01100903	
19	VARIATOR - FAN	WIALNIA	1	01116080	X
21	BLOWER DRIVE	NAPĘD WENTYLATORA SILNIKA	1	02235175	
22	GENERATOR DRIVE	NAPĘD GENERATORA	1	02235178	

X - not in standard offer / brak w standardowej ofercie

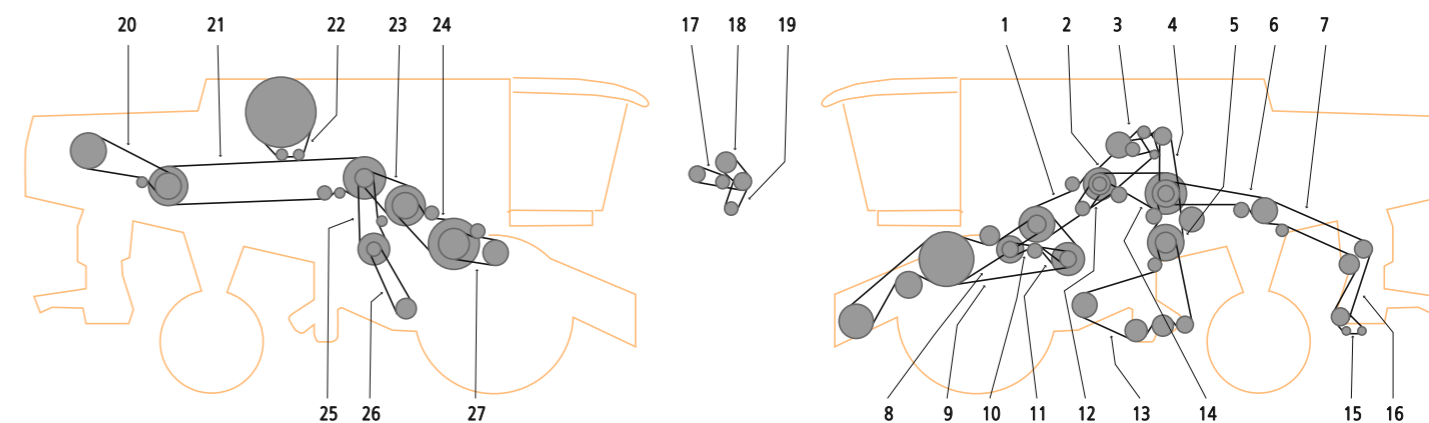
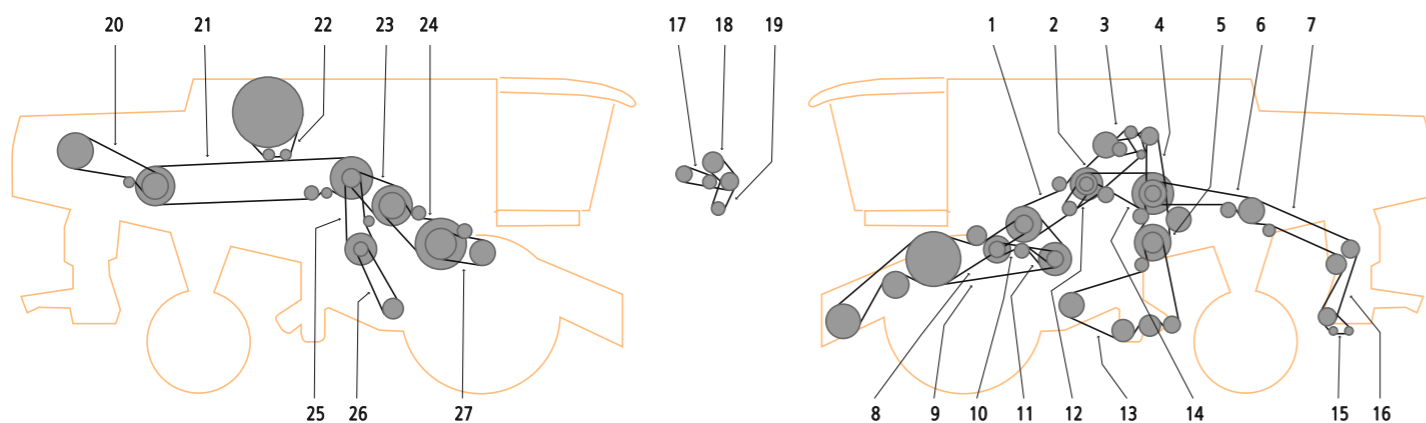


ITEM / POZYCJA	APPLICATION	OPIS	QUANTITY OF V-BELTS IN DRIVE / ILOŚĆ PASÓW W ZESPOLE	OE PART NUMBER / NUMER KATALOGOWY	COMMENT / UWAGI
1	STRAW STRIPPER DRUM	NAPĘD BĘBNA MŁÓCĄCEGO	1	06234476	
2	UNLOADING SYSTEM	SYSTEM ROZŁADUNKU	1	06212915	
3	UNLOADING SYSTEM	SYSTEM ROZŁADUNKU	1	01139247	
4	TRACTION DRIVE	NAPĘD JAZDY	1	06236657	X
5	STRAW CHOPPER	NAPĘD ROZDRABNIACZA SŁOMY	1	06211034	
6	STRAW STRIPPER DRUM	NAPĘD BĘBNA MŁÓCĄCEGO	1	06211053	
7	PLATFORM CHANNEL	NAPĘD PRZENOŚNIKA	1	01130742	
8	PICK-UP	NAPĘD PODBIERACZA PRASY	1	06210915	
9	GRAIN ELEVATOR SHAKER	NAPĘD PRZENOŚNIKA ZIARNOWEGO	1	06210922	
10	CHOPPER DRIVE	NAPĘD SIECZKARNI	1	06211010	
11	REEL VARIATOR	NAPĘD MOTOWIDŁA	1	06212870	
12	REEL DRIVE	NAPĘD MOTOWIDŁA	1	06215195	
13	RETURNS ELEVATOR	ELEWATOR KŁOSOWY	1	01100903	
14	SHAKER SHOE DRIVE	NAPĘD ZESPOŁU KOSZA SITOWEGO	1	01116080	X
14	ALTERNATOR DRIVE	NAPĘD ALTERNATORA	1	01139216	
14	RADIATOR FAN	NAPĘD WENTYLATORA CHŁODNICY	1	01139220	

X - not in standard offer / brak w standardowej ofercie

ITEM / POZYCJA	APPLICATION	OPIS	QUANTITY OF V-BELTS IN DRIVE / ILOŚĆ PASÓW W ZESPOLE	OE PART NUMBER / NUMER KATALOGOWY	COMMENT / UWAGI
0	GEN. DRIVE (ENGINE) / -2280 M980/922	NAPĘD GENERATORA	1	01168304	
0	BLOWER DRIVE (ENGINE) / M980	NAPĘD WENTYLATORA SILNIKA	1	02235175	
0	GEN. DRIVE (ENGINE) / +2281 M900-980	NAPĘD GENERATORA	1	02235178	
0	GEN. DRIVE (ENGINE) / -1980 M1002	NAPĘD GENERATORA	1	02235179	
0	GEN. DRIVE (ENGINE) / +1981 M1002/1080	NAPĘD GENERATORA	1	02235180	
0	BLOWER DRIVE (ENGINE) / M1080	NAPĘD WENTYLATORA SILNIKA	1	02235254	
0	BLOWER DRIVE (ENGINE) / M900/922	NAPĘD WENTYLATORA SILNIKA	1	02235531	
0	BLOWER DRIVE (ENGINE) / M1002	NAPĘD WENTYLATORA SILNIKA	1	02235533	
1	ENGINE - COUNTERSHAFT / M900/922/980/1080	WAŁ POŚREDNI - SILNIK	1	06215236	
1	ENGINE - COUNTERSHAFT / M1002	WAŁ POŚREDNI - SILNIK	1	06215237	
2	COUNTERSHAFT - FAN	WENTYLATOR	1	06215197	X
3	THRESHING DRUM	NAPĘD MŁOCARNI	1	06215220	X
4	REEL VARIATOR	NAPĘD MOTOWIDŁA	1	06215217	
5	SCHAFT KNIFE DRIVE	NAPĘD KOSY	1	06212919	X
6	PLATFORM FEED CHANNEL	NAPĘD PRZENOŚNIKA	1	06210989	
7	COUNTERSHAFT - TRAVEL VARI. / -4232 M900-1002	NAPĘD WAŁKA POŚREDNIEGO JAZDY	1	06215213	X
7	COUNTERSHAFT - TRAVEL VARI. / +4233 M980/1080	NAPĘD WAŁKA POŚREDNIEGO JAZDY	1	06215215	X
8	COUNTERSHAFT GRAIN TANK	WAŁEK POŚREDNI - ZBIORNIK ZBOŻOWY	1	06212924	
9	TENS ARM /M900+2660.M922+2706.M1002+2827		1	06210991	
9	TENS ARM /M900-2659.M922-2530.M1002-2826		1	06212925	
10	RETURNS ELEVATOR	ELEWATOR KŁOSOWY	1	06210991	
10	RETURNS ELEVATOR	ELEWATOR KŁOSOWY	1	06212925	
11	COUNTERSHAFT - STRAW STRIPPER DRUM	NAPĘD WAŁKA POŚREDNIEGO	1	06215250	
12	GRAIN ELEVATOR	NAPĘD PRZENOŚNIKA ZBOŻOWEGO	1	06210921	
13	CHOPPER DRIVE	NAPĘD SIECZKARNI	1	06211001	
14	CHOPPER DRIVE	NAPĘD SIECZKARNI	1	06211006	

X - not in standard offer / brak w standardowej ofercie



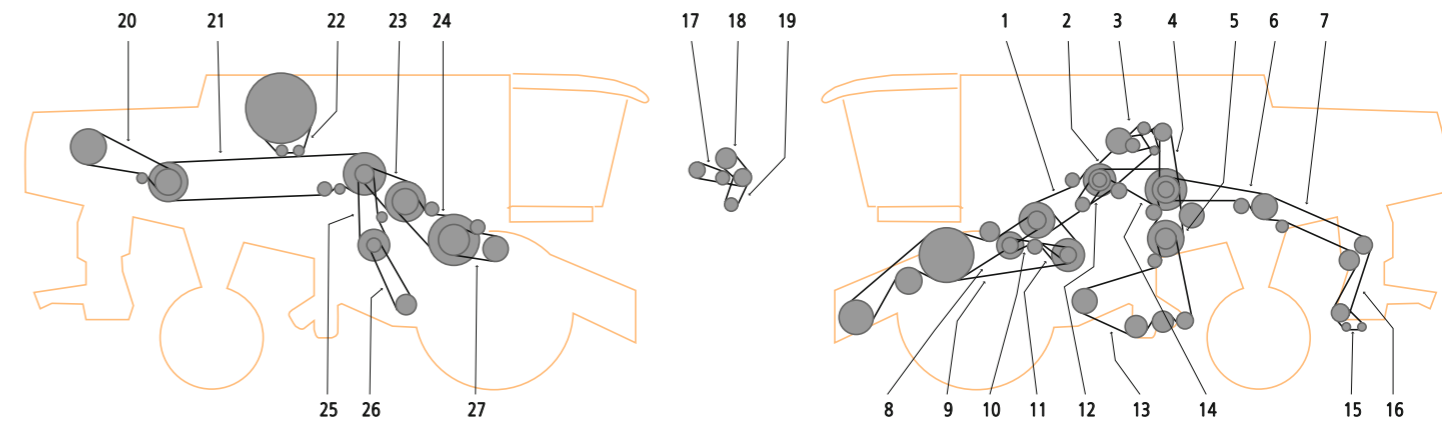
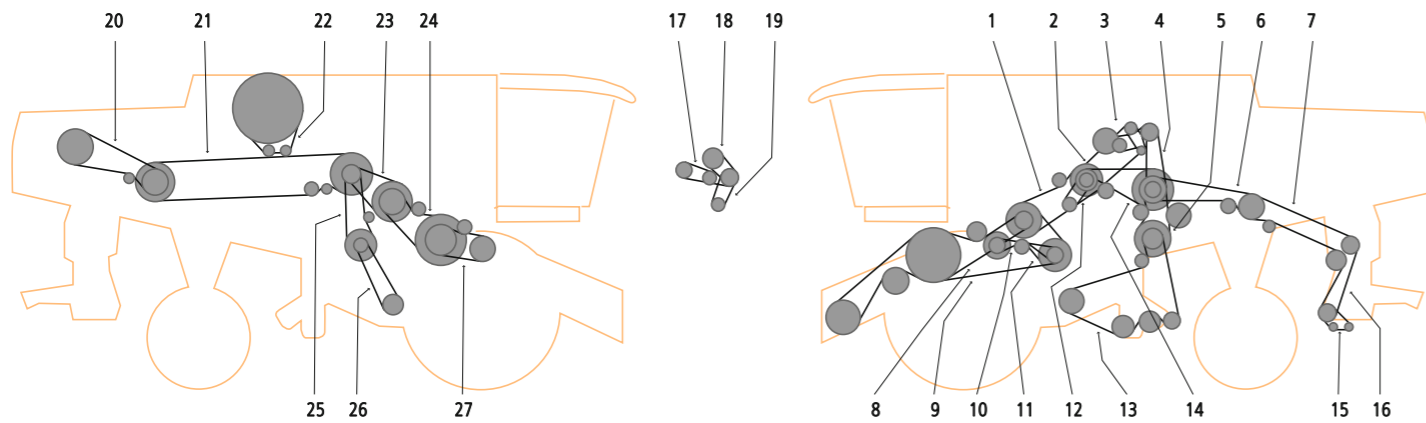
ITEM / POZYCJA	APPLICATION	OPIS	QUANTITY OF V-BELTS IN DRIVE / ILOŚĆ PASÓW W ZESPOLE	OE PART NUMBER / NUMER KATALOGOWY	COMMENT / UWAGI
0	CUTTING MECH. COUNTERSHAFT - KNIFE DRIVE	NAPĘD PRZEKŁADNI NAPĘDU KOSY	1	06210991	
0	REEL VARIATOR	NAPĘD MOTOWIDŁA	1	06215217	
1	STRAW STRIPPER DRUM	NAPĘD BĘBNA MŁÓCĄCEGO	1	1111610000000	X
3	GEARBOX GRAIN TANK	NAPĘD PRZEKŁADNI	1	06241147	
4	STRAW STRIPPER DRUM	NAPĘD BĘBNA MŁÓCĄCEGO	1	880079000000	X
5	RETURNS ELEVATOR	ELEWATOR KŁOSOWY	1	06240268	
6	STRAW STRIPPER DRUM	NAPĘD BĘBNA MŁÓCĄCEGO	1	06211026	
7	PLATFORM FEED CHANNEL	NAPĘD PRZENOŚNIKA	1	06211026	
8	COUNTERSHAFT FEED CHANNEL	WAŁ POŚREDNI - PRZENOŚNIK POCHYLEY	1	06210915	
9	COUNTERSHAFT PICK UP	WAŁ POŚREDNI - PODBIERACZ	1	06210915	
10	HYDRAULIC STEERING	HYDRAULICZNE STEROWANIE	1	01139231	
11	COUNTERSHAFT BALER	WAŁ POŚREDNI - PRASA	1	01139301	
12	BALER	NAPĘD PRASY	1	06210997	
13	REEL COUNTERSHAFT	MOTOWIDŁO	1	06215196	X
14	COUNTERSHAFT FAN	WENTYLATOR	1	06240407	
15	COUNTERSHAFT FAN	WENTYLATOR	1	06215199	
16	ALTERNATOR DRIVE	NAPĘD ALTERNATORA	1	01139218	
17	RADIATOR FAN	NAPĘD WENTYLATORA CHŁODNICY	1	01139221	
17	RADIATOR FAN	NAPĘD WENTYLATORA CHŁODNICY	1	01139222	X
18	HYDRAULIC PUMP	POMPA HYDRAULICZNA	1	01139223	
19	THRESHING DRUM	NAPĘD MŁOCARNI	1	06215222	

X - not in standard offer / brak w standardowej ofercie

ITEM / POZYCJA	APPLICATION	OPIS	QUANTITY OF V-BELTS IN DRIVE / ILOŚĆ PASÓW W ZESPOLE	OE PART NUMBER / NUMER KATALOGOWY	COMMENT / UWAGI
0	CUTTING MECH. COUNTERSHAFT - KNIFE DRIVE	NAPĘD PRZEKŁADNI NAPĘDU KOSY	1	06210991	
0	REEL VARIATOR	NAPĘD MOTOWIDŁA	1	06215217	
1	ENGINE - STRAW STRIPPER DRUM	NAPĘD ODRZUTNIKA SŁOMY	1	06528420	
3	GRAIN TANK	ZBIORNIK ZIARNA	1	06241147	
4	STRAW STRIPPER DRUM - COUNTERSHAFT	NAPĘD ODRZUTNIKA SŁOMY	1	06212933	
5	COUNTERSHAFT - RETURN ELEVATOR	NAPĘD PRZENOŚNIKA POWROTNEGO	1	06240268	
6	STRAW STRIPPER DRUM - COUNTERSHAFT	NAPĘD ODRZUTNIKA SŁOMY	1	06211026	
7	STRAW STRIPPER DRUM - FEED CHANNEL	NAPĘD BĘBEN MŁÓCĄCY-PRZENOŚNIK POCHYLEY	1	06211031	
8	CHOPPER DRIVE	NAPĘD SIECZKARNI	1	01141798	
9	CHOPPER DRIVE	NAPĘD SIECZKARNI	1	01136747	
10	ENGINE - COMPRESSOR	SILNIK-KOMPRESOR	1	06212866	
11	FAN SPEED VARIATOR	NAPĘD WIALNI	1	06215199	
12	THRESHING DRUM SPEED VARIATOR	NAPĘD MŁOCARNI	1	06215222	
13	BLOWER DRIVE	NAPĘD WENTYLATORA SILNIKA	1	02235254	
14	GENERATOR DRIVE	NAPĘD GENERATORA	1	02235180	

X - not in standard offer / brak w standardowej ofercie



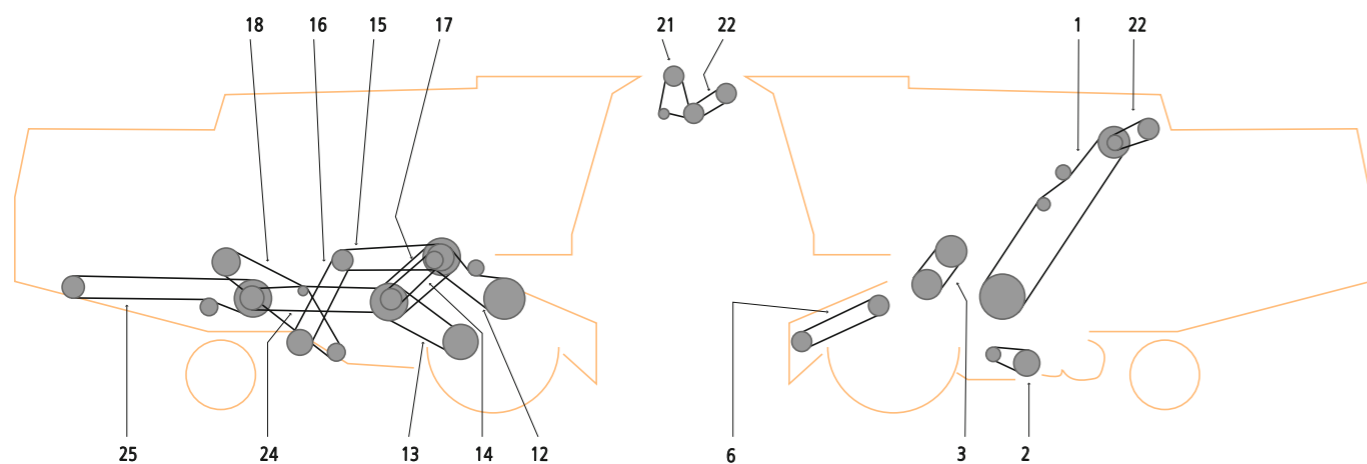


ITEM / POZYCJA	APPLICATION	OPIS	QUANTITY OF V-BELTS IN DRIVE / ILOŚĆ PASÓW W ZESPOLE	OE PART NUMBER / NUMER KATALOGOWY	COMMENT / UWAGI
0	CUTTING MECH. COUNTERSHAFT - KNIFE DRIVE	NAPĘD PRZEKŁADNI NAPĘDU KOSY	1	06210991	
0	REEL VARIATOR	NAPĘD MOTOWIDŁA	1	06215217	
1	STRAW STRIPPER DRUM	NAPĘD BĘBNA MŁÓCĄCEGO	1	06215248	
2	GRAIN TANK DISCHARGE	NAPĘD ZESPOŁU WYSYPU ZBIORNIKA ZBOŻOWEGO	1	06215234	
3	THRESHING VARI-DRIVE	NAPĘD MŁOCARNI	1	06215221	X
3	THRESHING VARI-DRIVE	NAPĘD MŁOCARNI	1	06215222	
4	COUNTERSHAFT THRESHING DRUM	WAŁ POŚREDNI - BĘBEN MŁÓCĄCY	1	1210710000000	
4	COUNTERSHAFT THRESHING DRUM	WAŁ POŚREDNI - BĘBEN MŁÓCĄCY	1	06256381	
5	SHAKER SHOE FAN DRIVE	NAPĘD WIALNI	1	01139241	
6	FAN DRIVE	NAPĘD WENTYLATORA	1	06210869	
7	CHOPPER TRANSMISSION	NAPĘD SIECZKARNI	1	01129970	
8	CHOPPER TRANSMISSION	NAPĘD SIECZKARNI	1	1210740000000	
9	GRAIN TANK CLUTCH	ZBIORNIK ZIARNA	1	06211014	
10	FEED CHANNEL	NAPĘD PRZENOŚNIKA POCHYLEGO	1	06215233	
11	SHAKER TRANSMISSION	NAPĘD WIALNI	2	06256619	
12	RETURNS ELEVATOR	ELEWATOR KŁOSOWY	1	06210917	
13	SHAKER SHOE DRIVE	NAPĘD ZESPOŁU KOSZA SITOWEGO	1	06256714	
14	MAIN DRIVE	NAPĘD GŁÓWNY	1	06255583	
15	TRACTION VARI-DRIVE	NAPĘD JAZDY	1	06215222	
16	GRAIN TANK DISCHARGE	NAPĘD ZESPOŁU WYSYPU ZBIORNIKA ZBOŻOWEGO	1	0621852	X

X - not in standard offer / brak w standardowej ofercie

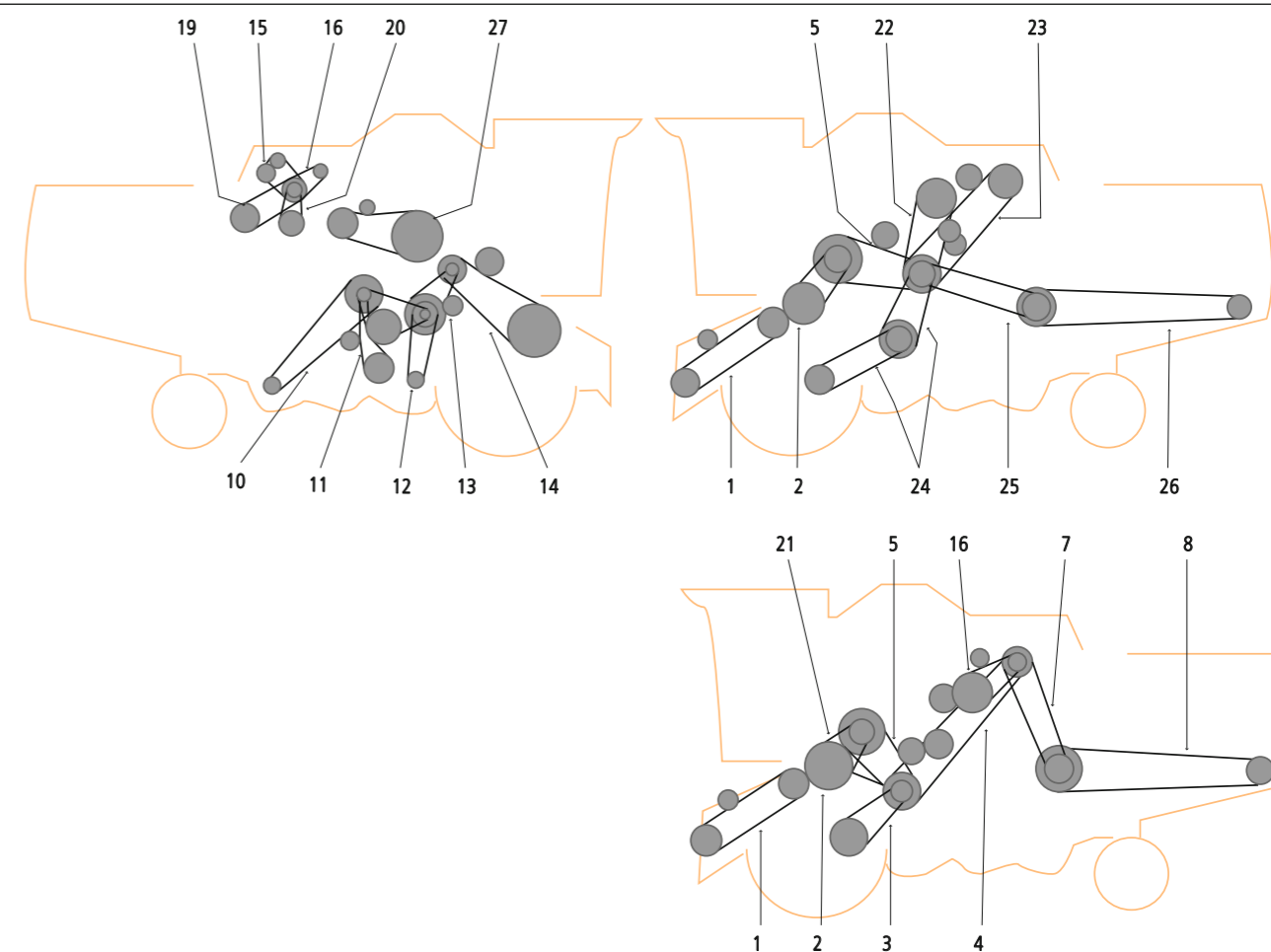
ITEM / POZYCJA	APPLICATION	OPIS	QUANTITY OF V-BELTS IN DRIVE / ILOŚĆ PASÓW W ZESPOLE	OE PART NUMBER / NUMER KATALOGOWY	COMMENT / UWAGI
0			1	01141613	X
0			1	01141645	
0			2	02234343	
0			1	06210890	
0			1	06211014	
0			1	06211034	
0			1	06212866	
0			1	06215242	
1	STRAW STRIPPER DRUM	NAPĘD BĘBNA MŁÓCĄCEGO	1	06215259	
2	GRAIN TANK DISCHARGE	NAPĘD ZESPOŁU WYSYPU ZBIORNIKA ZBOŻOWEGO	1	06215235	X
3	THRESHING DRUM VARIATOR	NAPĘD BĘBNA MŁÓCĄCEGO	1	06215221	X
3	THRESHING DRUM VARIATOR	NAPĘD BĘBNA MŁÓCĄCEGO	1	06215222	
4	COUNTERSHAFT THRESHING DRUM	WAŁ POŚREDNI - BĘBEN MŁÓCĄCY	1	06256381	
4	COUNTERSHAFT THRESHING DRUM	WAŁ POŚREDNI - BĘBEN MŁÓCĄCY	3	06256546	
5	SHAKER SHOE FAN	NAPĘD WIALNI	1	01139242	
6	FAN DRIVE	NAPĘD WENTYLATORA	1	06210869	
7	ENGINE - DYNAMO	ALTERNATOR	1	01139216	
8	CHOPPER TRANSMISSION	NAPĘD SIECZKARNI	1	06257897	
9	CHOPPER TRANSMISSION	NAPĘD SIECZKARNI	1	1210740000000	
10	KNIFE DRIVE	NAPĘD KOSY	1	06212919	X
11	FEED CHANNEL	NAPĘD PRZENOŚNIKA POCHYLEGO	1	06215233	
12	SHAKER TRANSMISSION	NAPĘD WIALNI	2	06256619	
13	RETURNS ELEVATOR	ELEWATOR KŁOSOWY	1	06210917	
14	SHAKER SHOE DRIVE	NAPĘD ZESPOŁU KOSZA SITOWEGO	1	06256714	
15	REEL VARIATOR	NAPĘD MOTOWIDŁA	1	890009000000	X

X - not in standard offer / brak w standardowej ofercie



ITEM / POZYCJA	APPLICATION	OPIS	QUANTITY OF V-BELTS IN DRIVE / ILOŚĆ PASÓW W ZESPOLE	OE PART NUMBER / NUMER KATALOGOWY	COMMENT / UWAGI
0	COUNTERSHAFT - KNIFE DRIVE	WAŁEK POŚREDNI NAPĘDU KOSY	1	06210991	
0	REEL DRIVE	NAPĘD MOTOWIDŁA	1	06215217	
1	MAIN DRIVE	NAPĘD GŁÓWNY	1	06215243	
1	MAIN DRIVE	NAPĘD GŁÓWNY	1	06285949	
2	COUNTERSHAFT - FAN	NAPĘD WAŁKA POŚREDNIEGO	1	06215197	X
3	STRAW STRIPPER DRUM - THRESHING DRUM	NAPĘD MŁOCARNI	1	06215220	X
6	FEED CHANNEL - COUNTERSHAFT	NAPĘD WAŁKA POŚREDNIEGO PRZENOŚNIKA POCHYLEGO	1	06215205	
12	STRAW STRIPPER DRUM - FEED CHANNEL	NAPĘD BĘBEN MŁOCĄCY-PRZENOŚNIK POCHYLEY	1	06215204	
13	COUNTERSHAFT - TRAVEL SPEED	NAPĘD WAŁKA POŚREDNIEGO JAZDY	1	06215216	X
14	COUNTERSHAFT - GRAIN TANK COUNTERSHAFT	NAPĘD WAŁKA POŚREDNIEGO ZBIORNIKA ZBOŻOWEGO	1	06212924	
15	STRAW STRIPPER DRUM - TENSION ARM	NAPĘD BĘBNA ODRZUTNIKA	1	06210991	
16	TENSION ARM - RETURNS ELEVATOR	NAPĘD ELEWATORA KŁOSOWEGO	1	06210991	
18	GRAIN ELEVATOR - STRAW WALKERS	NAPĘD ZBIORNIK ZBOŻOWY-WYTRZĄSACZE	1	06210927	
22	ALTERNATOR DRIVE	NAPĘD ALTERNATORA	1	02235180	
24	STRAW CHOPPER DRIVE	NAPĘD ROZDRABNIACZA SŁOMY	1	06273236	

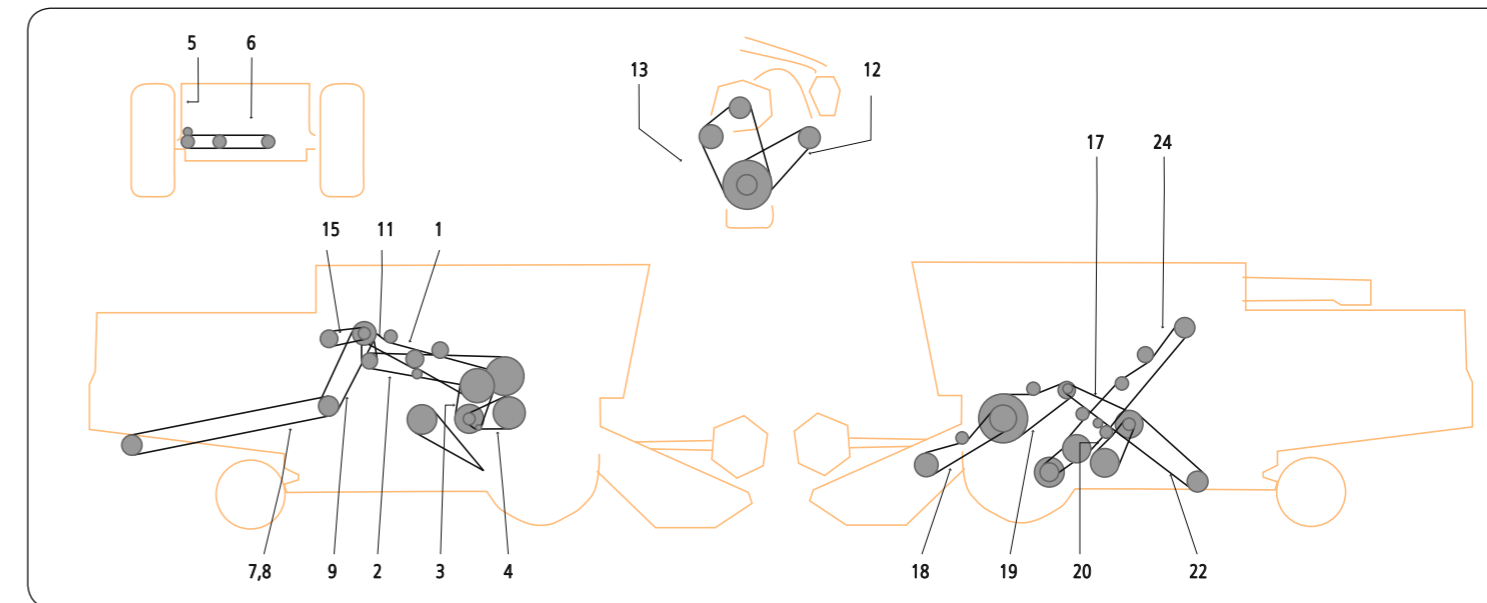
X - not in standard offer / brak w standardowej ofercie



ITEM / POZYCJA	APPLICATION	OPIS	QUANTITY OF V-BELTS IN DRIVE / ILOŚĆ PASÓW W ZESPOLE	OE PART NUMBER / NUMER KATALOGOWY	COMMENT / UWAGI
0	COUNTERSHAFT - KNIFE DRIVE	NAPĘD POŚREDNI NAPĘDU KOSY	1	06210991	
0	REEL DRIVE	NAPĘD MOTOWIDŁA	1	06215217	
1	FEED CHANNEL - COUNTERSHAFT	NAPĘD WAŁKA POŚREDNIEGO PRZENOŚNIKA POCHYLEGO	1	06215205	
2	STRAW STRIPPER DRUM - THRESHING DRUM	NAPĘD ODRZUTNIKA	1	06215220	X
3	DRIVING SPEED	NAPĘD JAZDY	1	06215214	X
4	ENGINE - COUNTERSHAFT	NAPĘD GŁÓWNY	1	06215258	
4	ENGINE - COUNTERSHAFT	NAPĘD GŁÓWNY	1	06215262	X
5	COUNTERSHAFT - STRAW STRIPPER DRUM	NAPĘD WAŁKA POŚREDNIEGO	1	06215239	
5	COUNTERSHAFT - STRAW STRIPPER DRUM	NAPĘD WAŁKA POŚREDNIEGO	1	06215253	
7	ENGINE - CHOPPER TRANSMISSION	NAPĘD POŚREDNI ROZDRABNIACZA SŁOMY	1	06210851	
7	ENGINE - CHOPPER TRANSMISSION	NAPĘD POŚREDNI ROZDRABNIACZA SŁOMY	1	06215245	
8	CHOPPER TRANSMISSION	NAPĘD POŚREDNI SŁOMY	1	01139258	
8	CHOPPER TRANSMISSION	NAPĘD POŚREDNI SŁOMY	1	01139260	
10	COUNTERSHAFT - RETURNS ELEVATOR	NAPĘD PRZENOŚNIKA KŁOSOWEGO	1	06210922	
10	COUNTERSHAFT - RETURNS ELEVATOR / MAIZE	NAPĘD PRZENOŚNIKA KŁOSOWEGO	1	06210923	
11	COUNTERSHAFT - WALKER + SHAKER SHOE DRIVE	NAPĘD POŚREDNI WYTRZĄSACZY	1	06215255	
12	CLEANING FAN DRIVE	NAPĘD WIALNI CZYSZCZĄCEJ	1	06215202	
13	STRAW STRIPPER DRUM - COUNTERSHAFT	NAPĘD ODRZUTNIKA SŁOMY	1	06215240	
14	STRIPPER DRUM - FEED CHANNEL	ZESPÓŁ NAPĘDOWY ODRZUTNIKA	1	06215238	
14	STRIPPER DRUM - FEED CHANNEL	ZESPÓŁ NAPĘDOWY ODRZUTNIKA	1	06215203	
15	BLOWER DRIVE	NAPĘD WENTYLATORA CHŁODNICY	2	02234343	
15	BLOWER DRIVE	NAPĘD WENTYLATORA CHŁODNICY	1	02235532	
16	ALTERNATOR DRIVE	NAPĘD ALTERNATORA	1	02235180	
19	ENGINE - COMPRESSOR	SILNIK-KOMPRESOR	1	01139233	

ITEM / POZYCJA	APPLICATION	OPIS	QUANTITY OF V-BELTS IN DRIVE / ILOŚĆ PASÓW W ZESPOLE	OE PART NUMBER / NUMER KATALOGOWY	COMMENT / UWAGI
20	RADIATOR FAN	Wentylator chłodnicy silnika	1	01139204	
22	COUNTERSHAFT - GRAIN TANK	Wałek pośredni - zbiornik zbożowy	1	06210975	
23	ENGINE - COUNTERSHAFT	Napęd główny	1	06215257	
25	COUNTERSHAFT - CHOPPER TRANSMISSION	Przeniesienie napędu wałka pośredniego	1	0880077536350	X
26	COUNTERSHAFT - CHOPPER TRANSMISSION	Przeniesienie napędu rozdrabniacz słomy	1	01139259	
27	GRAIN TANK DRIVE	Napęd zbiornika zbożowego	1	06210990	
27	GRAIN TANK DRIVE	Napęd zbiornika zbożowego	1	06210993	

X - not in standard offer / brak w standardowej ofercie

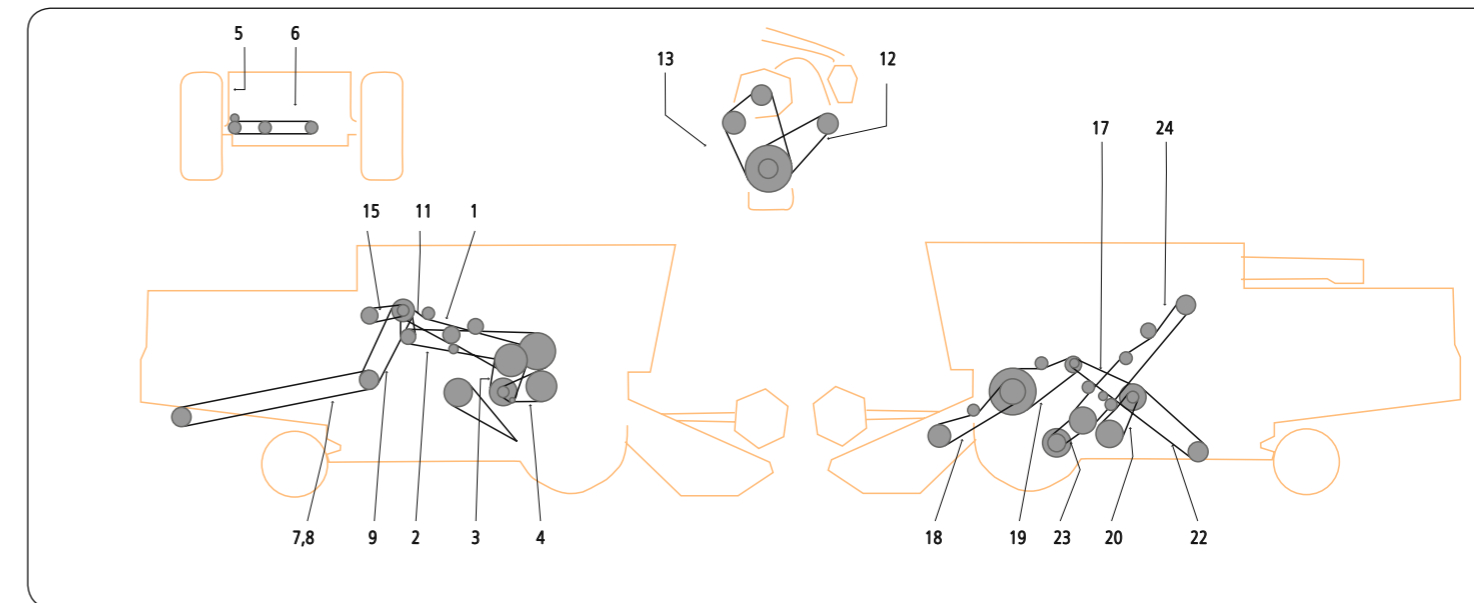


ITEM / POZYCJA	APPLICATION	OPIS	QUANTITY OF V-BELTS IN DRIVE / ILOŚĆ PASÓW W ZESPOLE	OE PART NUMBER / NUMER KATALOGOWY	COMMENT / UWAGI
1	COUNTERSHAFT - THRESHING DRUM	NAPĘD WAŁKA POŚREDNIEGO MŁOCARNI	1	01141591	
2	ENGINE - GRAIN TANK EMPTYING	ODBIÓR MOCY SILNIK - WYSYP ZBIORNIKA ZBOŻA	2	01141666	
3	THROW OFF DRIVE	NAPĘD ODRZUTNIKA SŁOMY	1	06215222	
4	SPEED REDUCING GEAR BOX	NAPĘD PRZEKŁADNI BĘBNA MŁÓCĄCEGO	3	06256546	
5	SHAKER SHOE DRIVE	NAPĘD ZESPOŁU KOSZA SITOWEGO	1	01139241	
11	GRAIN TANK	ZBIORNIK ZIARNA	1	01141613	X
17	STRAW WALKER	NAPĘD ZESPOŁU WYTRZĄSACZY	2	06256619	
18	ELEVATOR DRIVE	NAPĘD PRZENOŚNIKA	2	01141595	
18	ELEVATOR DRIVE	NAPĘD PRZENOŚNIKA	1	01141615	
19	TURNING DRUM DRIVE	NAPĘD ODRZUTNIKA SŁOMY	1	01141608	
20	SHAKER SHOE DRIVE	NAPĘD ZESPOŁU KOSZA SITOWEGO	1	06256714	
23	DRIVING SPEED	NAPĘD JAZDY	1	01141971	X
24	TRACTION DRIVE	NAPĘD JAZDY	1	06215244	X

X - not in standard offer / brak w standardowej ofercie

ITEM / POZYCJA	APPLICATION	OPIS	QUANTITY OF V-BELTS IN DRIVE / ILOŚĆ PASÓW W ZESPOLE	OE PART NUMBER / NUMER KATALOGOWY	COMMENT / UWAGI
1				06211031	
2				01141820	X
3				01141850	
4				01141816	
5				01141819	
6				01141918	
7				01141912	
8				01141909	
9				01141938	
10				01141917	
11				01141958	
12				06215214	X
13				06215222	
14				01141944	X

X - not in standard offer / brak w standardowej ofercie



ITEM / POZYCJA	APPLICATION	OPIS	QUANTITY OF V-BELTS IN DRIVE / ILOŚĆ PASÓW W ZESPOLE	OE PART NUMBER / NUMER KATALOGOWY	COMMENT / UWAGI
0	TRACTION DRIVE	NAPĘD JAZDY	1	01141971	X
0	REEL DRIVE	NAPĘD MOTOWIDŁA	1	06215217	
0	CUTTING MECH. COUNTERSHAFT - KNIFE DRIVE	NAPĘD PRZEKŁADNI NAPĘDU KOSY	1	06210991	
1	STRAW STRIPPER DRUM	NAPĘD ODRZUTNIKA SŁOMY	1	01141591	
2	UNLOADER DRIVE	NAPĘD WYSYPU	2	01141666	
3	THRESHING DRUM	NAPĘD ODRZUTNIKA ZBOŻA	1	06215222	
4	COUNTERSHAFT - THRESHING DRUM	NAPĘD BĘBNA MŁÓCĄCEGO	3	06256546	
5	STRAW WALKERS TRANSMISSION - FAN	NAPĘD ZESPOŁU WIALNI CZYSZCZĄCEJ	1	01139241	
6	CLEANING FAN DRIVE	NAPĘD WIALNI CZYSZCZĄCEJ	1	06210890	
8	STRAW CHOPPER DRIVE	NAPĘD ROZDRABNIACZA SŁOMY	1	01141645	
9	ENGINE - CHOPPER TRANSMISSION	NAPĘD POŚREDNI ROZDRABNIACZA SŁOMY	1	1210737011900	
11	ENGINE - GRAIN TANK CLUTCH	NAPĘD SPRZĘGŁA ZBIORNIKA ZBOŻA	1	06211014	
11	ENGINE - GRAIN TANK CLUTCH	NAPĘD SPRZĘGŁA ZBIORNIKA ZBOŻA	1	01141613	X
12	ALTERNATOR DRIVE	NAPĘD ALTERNATORA	1	02235180	
13	BLOWER DRIVE	NAPĘD WENTYLATORA CHŁODNICY	2	02234343	
15	AIR CONDITIONING COMPRESSOR	NAPĘD KOMPRESORA KLIMATYZACJI	1	06212866	
17	STRAW STRIPPER DRUM - WALKERS TRANSMISSION	NAPĘD ODRZUTNIKA	2	06256619	
18	HEADER DRIVE	NAPĘD HEDERA	2	01141595	
18	HEADER DRIVE	NAPĘD HEDERA	1	01141615	
19	STRAW STRIPPER DRUM - FEED CHANNEL	NAPĘD PRZENOŚNIKA POCHYLEGO	1	01141608	
20	WALKERS TRANSMISSION - SHAKER SHOE TRANSMISSION	NAPĘD WYTRZĄSACZY, KOSZA SITOWEGO	1	06256714	
22	WALKERS TRANSMISSION - RETURN ELEVATOR	NAPĘD WYTRZĄSACZY, PRZENOŚNIKA KŁOSOWEGO	1	06210917	
23	TRACTION DRIVE	NAPĘD JAZDY	1	06215223	X
24	ENGINE - COUNTERSHAFT	NAPĘD GŁÓWNY	1	06215244	X

X - not in standard offer / brak w standardowej ofercie

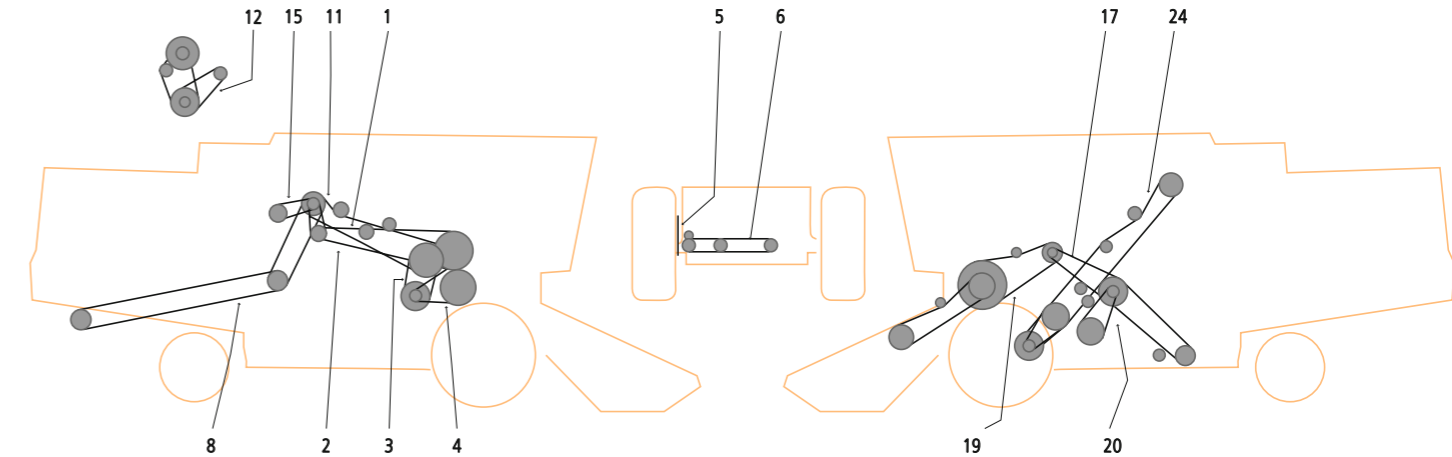
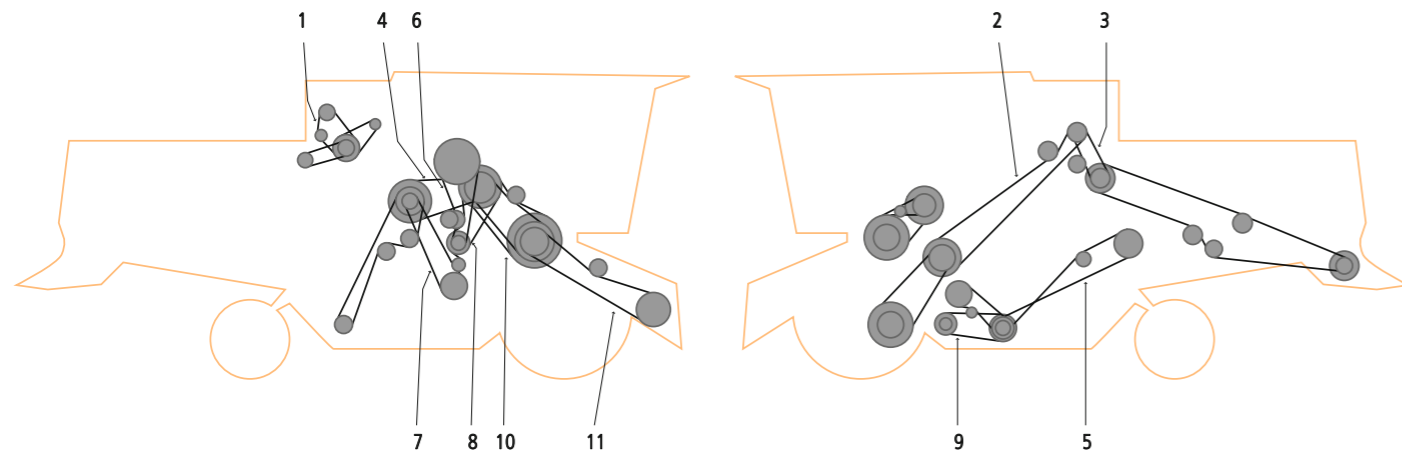
ITEM / POZYCJA	APPLICATION	OPIS	QUANTITY OF V-BELTS IN DRIVE / ILOŚĆ PASÓW W ZESPOLE	OE PART NUMBER / NUMER KATALOGOWY	COMMENT / UWAGI
1			1	06211034	
2			3	06256714	
3			3	06256546	
4			2	06256619	
5			1	01141789	
6			1	01141591	
7			1	01141666	
8			1	01141613	X
9			1	06215222	
10			1	01141971	X
11			1	01139241	

X - not in standard offer / brak w standardowej ofercie

ITEM / POZYCJA	APPLICATION	OPIS	QUANTITY OF V-BELTS IN DRIVE / ILOŚĆ PASÓW W ZESPOLE	OE PART NUMBER / NUMER KATALOGOWY	COMMENT / UWAGI
1	ENGINE - STRAW STRIPPER DRUM	ODBIÓR MOCY SILNIKA - ODRZUTNIK	1	06211034	
2	REEL DRIVE	NAPĘD MOTOWIDŁA	1	06215217	
3			2	02235177	
4			3	06256714	
5			3	06256546	
6			2	06256619	
7			1	01141789	
8	STRAW CHOPPER	SIECZKARNIA SŁOMY	1	01141941	
9			1	01141591	
10	KNIFE DRIVE	NAPĘD NOŻA	1	06210991	
11			1	01141666	
12			1	01141613	X
13			1	06215222	
14			1	01139241	
15			1	01139242	
16			1	01141645	
17			2	02234343	
18			1	02235180	
19			1	06210890	
20			2	06257898	

X - not in standard offer / brak w standardowej ofercie



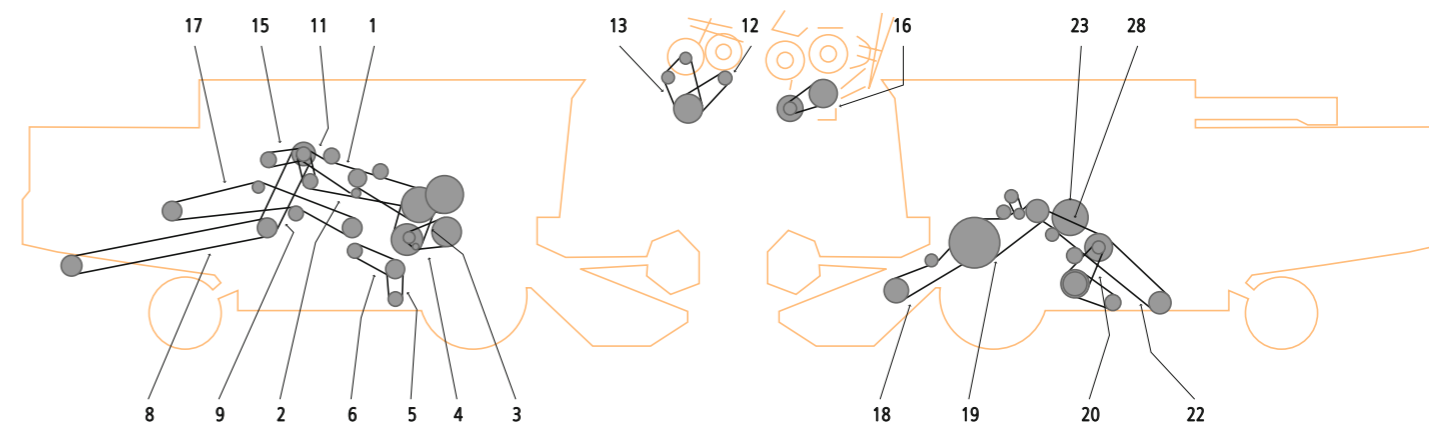
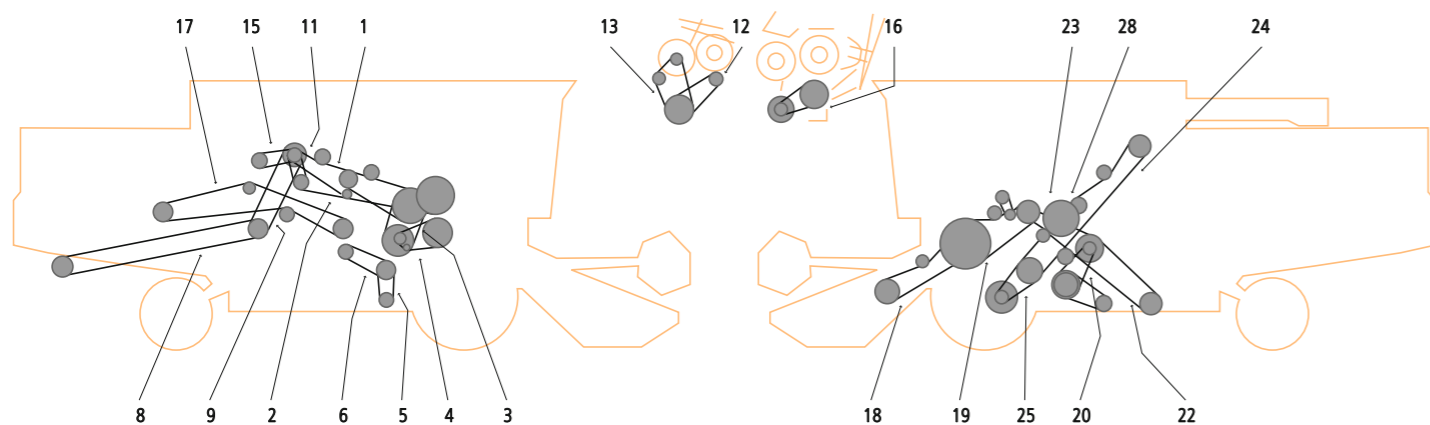


ITEM / POZYCJA	APPLICATION	OPIS	QUANTITY OF V-BELTS IN DRIVE / ILOŚĆ PASÓW W ZESPOLE	OE PART NUMBER / NUMER KATALOGOWY	COMMENT / UWAGI
1	RADIATOR FAN	NAPĘD WENTYLATORA CHŁODNICY	1	02235254	
2	MAIN DRIVE	NAPĘD GŁÓWNY	1	06215258	
3	STRAW SHOPPER	NAPĘD POŚREDNI ROZDRABNIACZA SŁOMY	1	06215239	
4	SHAKER SHOE DRIVE	NAPĘD KOSZA SITOWEGO	1	01145262	
5	STRAW WALKER DRIVE	NAPĘD WYTRZĄSACZY	1	01145263	
6	UNLOADER DRIVE	NAPĘD WYSYPU	1	01141917	
7	SHAKER SHOE DRIVE	NAPĘD KOSZA SITOWEGO	1	01145260	
8	TURNING DRUM DRIVE	NAPĘD ODRZUTNIKA SŁOMY	1	01145261	
9	CLEANING FAN DRIVE	NAPĘD WIALNI CZYSZCZĄCEJ	1	01145224	X
10	ELEVATOR DRIVE	NAPĘD PRZENOŚNIKA	1	01141816	
11	ELEVATOR DRIVE	NAPĘD PRZENOŚNIKA	1	01145226	

X - not in standard offer / brak w standardowej ofercie

ITEM / POZYCJA	APPLICATION	OPIS	QUANTITY OF V-BELTS IN DRIVE / ILOŚĆ PASÓW W ZESPOLE	OE PART NUMBER / NUMER KATALOGOWY	COMMENT / UWAGI
1	TURNING DRUM DRIVE	NAPĘD ODRZUTNIKA SŁOMY	1	01141591	
2	GRAIN TANK CLUTCH	NAPĘD SPRZĘGŁA ZBIORNIKA ZIARNA	1	01141686	X
3	BEATER DRIVE	NAPĘD ZESPOŁU MŁÓCARNI	1	06215222	
4	STRAW STRIPPER DRUM	NAPĘD ZESPOŁU BĘBNA MŁÓCĄCEGO	3	06256546	
5	SHAKER SHOE DRIVE	NAPĘD ZESPOŁU WIALNI CZYSZCZĄCEJ, KOSZA SIŁOWEGO	1	01136241	X
6	CLEANING FAN DRIVE	NAPĘD WIALNI CZYSZCZĄCEJ	1	06210890	
8	STRAW CHOPPER DRIVE	NAPĘD ROZDRABNIACZA SŁOMY	1	01141645	
11	GRAIN TANK CLUTCH	NAPĘD SPRZĘGŁA ZBIORNIKA ZIARNA	1	01141613	X
12	ALTERNATOR DRIVE	NAPĘD ALTERNATORA	1	02235180	
15	AIR CONDITIONING COMPRESSOR	NAPĘD KOMPRESORA KLIMATYZACJI	1	01145318	
15	AIR CONDITIONING COMPRESSOR	NAPĘD KOMPRESORA KLIMATYZACJI	1	06212866	
17	STRAW WALKER DRIVE	NAPĘD KOSZA SITOWEGO, WYTRZĄSACZY	2	06256619	
19	STRAW STRIPPER DRUM - FEED CHANNEL	NAPĘD ODRZUTNIKA PRZENOŚNIKA POCHYLEGO	1	01141608	
19	ELEVATOR DRIVE	NAPĘD PRZENOŚNIKA	1	01141941	
20	STRAW WALKER DRIVE	NAPĘD KOSZA SITOWEGO, WYTRZĄSACZY	1	06256714	
24	MAIN DRIVE	NAPĘD GŁÓWNY	1	06215244	X

X - not in standard offer / brak w standardowej ofercie

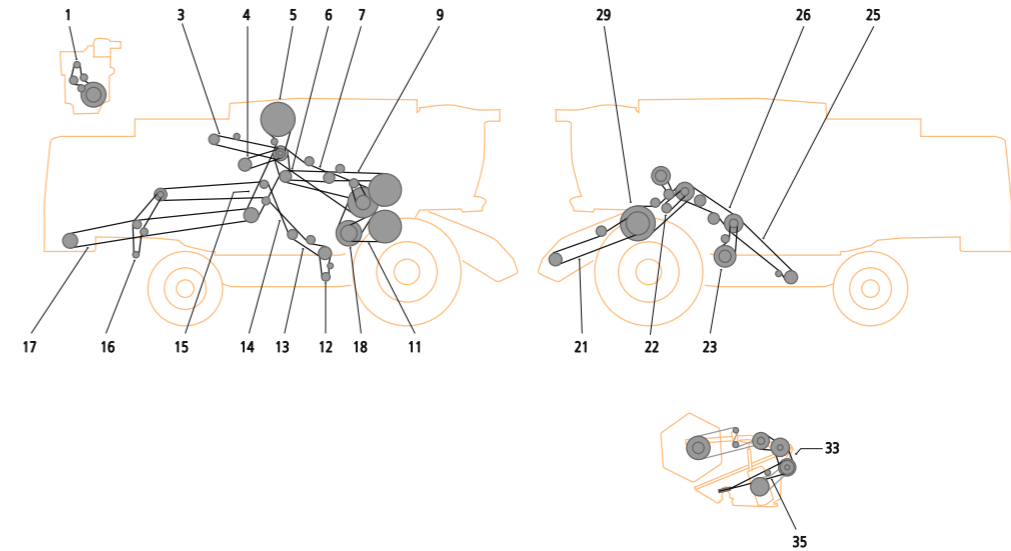
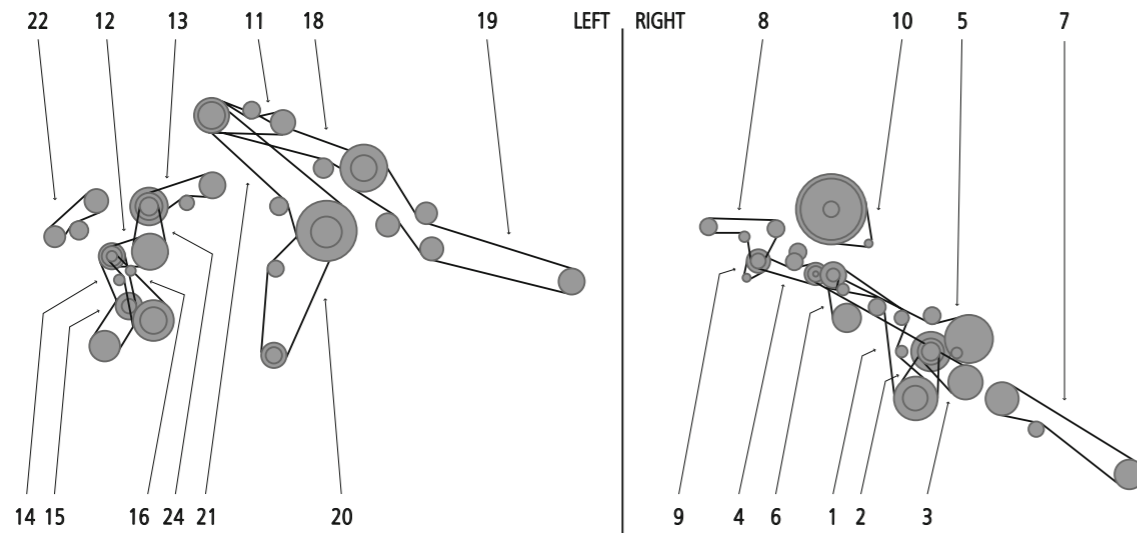


ITEM / POZYCJA	APPLICATION	OPIS	QUANTITY OF V-BELTS IN DRIVE / ILOŚĆ PASÓW W ZESPOLE	OE PART NUMBER / NUMER KATALOGOWY	COMMENT / UWAGI
1	ENGINE - STRAW STRIPPER DRUM	NAPĘD ODRZUTNIKA SŁOMY	1	01145050	
2	UNLOADER DRIVE	NAPĘD WYSYPU	2	01145055	
3	THRESHING DRUM	NAPĘD MŁOCARNI	1	01145026	X
4	COUNTERSHAFT - THRESHING DRUM	NAPĘD WAŁKA POŚREDNIEGO MŁOCARNI	3	01145049	
5	CLEANING FAN DRIVE	NAPĘD WIALNI CZYSZCZĄCEJ	1	01145097	X
6	STRAW WALKERS TRANSMISSION	NAPĘD WYTRZĄSACZY SŁOMY	1	01145202	
8	STRAW CHOPPER DRIVE	NAPĘD ROZDRABNIACZA SŁOMY	1	01145187	
8	STRAW CHOPPER DRIVE	NAPĘD ROZDRABNIACZA SŁOMY	1	01145188	
9	ENGINE - CHOPPER TRANSMISSION	NAPĘD POŚREDNI ROZDRABNIACZA SŁOMY	1	06257898	
11	ENGINE - GRAIN TANK CLUTCH	NAPĘD SPRZĘGŁA ZBIORNIKA ZBOŻA	1	01141613	X
12	ALTERNATOR DRIVE	NAPĘD ALTERNATORA	1	02235180	
13	BLOWER DRIVE	NAPĘD WENTYLATORA CHŁODNICY	1	02235177	
13	BLOWER DRIVE	NAPĘD WENTYLATORA CHŁODNICY	2	02234343	
15	AIR CONDITIONING COMPRESSOR	NAPĘD KOMPRESORA KLIMATYZACJI	1	06212866	
17	STRAW WALKER DRIVE	NAPĘD WYTRZĄSACZY	1	01145053	
17	STRAW WALKER DRIVE	NAPĘD WYTRZĄSACZY	1	01145054	
18	MAIZE PICKING - ATTACHMENTS DRIVE	PRZYSTAWKA KUKURYDZIANA	1	01145025	
18	HEADER DRIVE	NAPĘD HEDERA	1	01143412	
18	HEADER DRIVE	NAPĘD HEDERA	2	01145211	
19	STRAW STRIPPER DRUM - FEED CHANNEL	NAPĘD ODRZUTNIKA PRZENOŚNIKA POCHYLEGO	1	01141608	
19	MAIZE EQUIPMENT	PRZYSTAWKA KUKURYDZIANA	1	01141941	
20	SHAKER SHAFT DRIVE	NAPĘD WYTRZĄSACZY	3	01143413	
21	STRAW STRIPPER DRUM - WALKER TRANSMISSION	NAPĘD ODRZUTNIKA	2	01145051	
22	WALKERS TRANSMISSION - RETURNS ELEVATOR	NAPĘD WYTRZĄSACZA SŁOMY	1	01145052	
23	STRAW SHIPPER DRUM - TURBO - SEPARATOR	NAPĘD ODRZUTNIKA	2	01143410	
24	ENGINE - COUNTERSHAFT	NAPĘD GŁÓWNY	1	01145102	X
25	TRACTION DRIVE	NAPĘD JAZDY	1	01141944	X

X - not in standard offer / brak w standardowej ofercie

ITEM / POZYCJA	APPLICATION	OPIS	QUANTITY OF V-BELTS IN DRIVE / ILOŚĆ PASÓW W ZESPOLE	OE PART NUMBER / NUMER KATALOGOWY	COMMENT / UWAGI
1	STRAW STRIPPER DRUM	NAPĘD ZESPOŁU BĘBNA MŁÓCĄCEGO	1	01145056	
1	STRAW STRIPPER DRUM	NAPĘD ZESPOŁU BĘBNA MŁÓCĄCEGO	1	01145057	
2	UNLOADER DRIVE	NAPĘD WYSYPU	2	01145055	
3	THRESHING DRUM	NAPĘD MŁOCARNI	1	01145374	X
4	COUNTERSHAFT - THRESHING DRUM	NAPĘD WAŁKA POŚREDNIEGO MŁOCARNI	3	01145049	
5	CLEANING FAN	NAPĘD WIALNI	1	01145332	X
5	CLEANING FAN	NAPĘD WIALNI	1	01145369	X
6	STRAW WALKER DRIVE	NAPĘD WYTRZĄSACZY	1	01145331	
8	STRAW CHOPPER DRIVE	NAPĘD ROZDRABNIACZA SŁOMY	1	01145187	
8	STRAW CHOPPER DRIVE	NAPĘD ROZDRABNIACZA SŁOMY	1	01145188	
9	STRAW CHOPPER DRIVE	NAPĘD ROZDRABNIACZA SŁOMY	2	01145475	
9	STRAW CHOPPER DRIVE	NAPĘD ROZDRABNIACZA SŁOMY	1	01145479	
11	GRAIN TANK CLUTCH	NAPĘD SPRZĘGŁA ZBIORNIKA ZBOŻA	1	01141613	X
12	ALTERNATOR DRIVE	NAPĘD ALTERNATORA	1	02235180	
13	BLOWER DRIVE	NAPĘD WENTYLATORA SILNIKA	1	02235177	
15	COOLING PLANT	NAPĘD URZĄDZENIA CHŁODZĄCEGO	1	01145318	
15	COOLING PLANT	NAPĘD URZĄDZENIA CHŁODZĄCEGO	1	06212866	
16	ALTERNATOR DRIVE	NAPĘD ALTERNATORA	1	02237477	
17	STRAW WALKER DRIVE	NAPĘD WYTRZĄSACZY	1	01145053	
17	STRAW WALKER DRIVE	NAPĘD WYTRZĄSACZY	1	01145054	
18	CUTTING TABLE	NAPĘD KOSY	1	01145025	
19	FEED CHANNEL	NAPĘD PRZENOŚNIKA POCHYLEGO	1	01141941	
19	FEED CHANNEL	NAPĘD PRZENOŚNIKA POCHYLEGO	1	01145329	
20	SHAKER SHOE DRIVE	NAPĘD KOSZA SITOWEGO	3	01143413	
22	RETURNS ELEVATOR	NAPĘD ELEWATORA KŁOSOWEGO	1	01145052	
23	STRAW STRIPPER DRUM	NAPĘD BĘBNA MŁÓCĄCEGO	2	01143410	
24	STRAW STRIPPER DRUM	NAPĘD BĘBNA MŁÓCĄCEGO	2	01145051	

X - not in standard offer / brak w standardowej ofercie

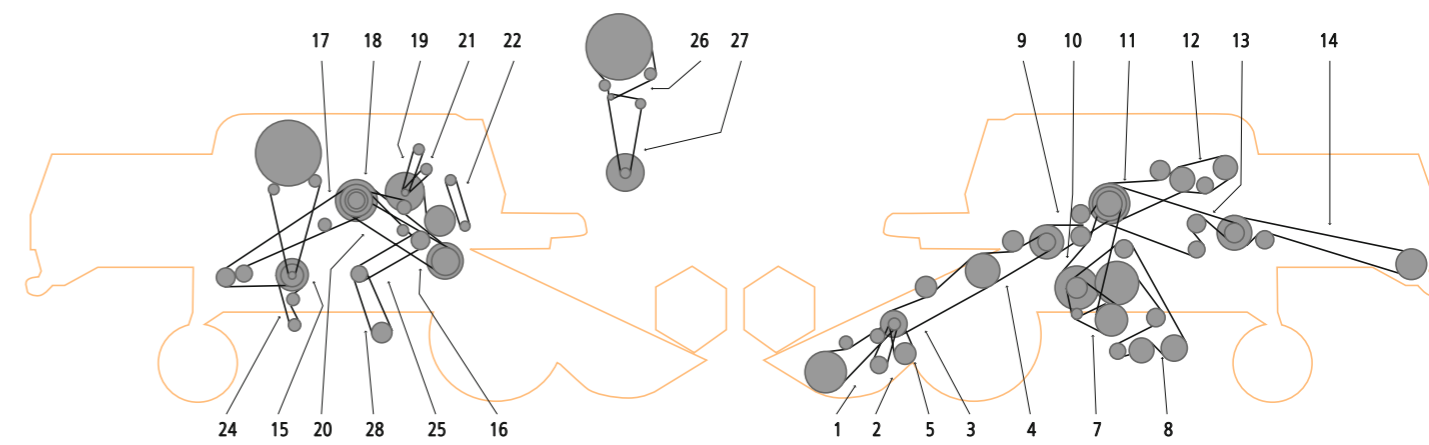
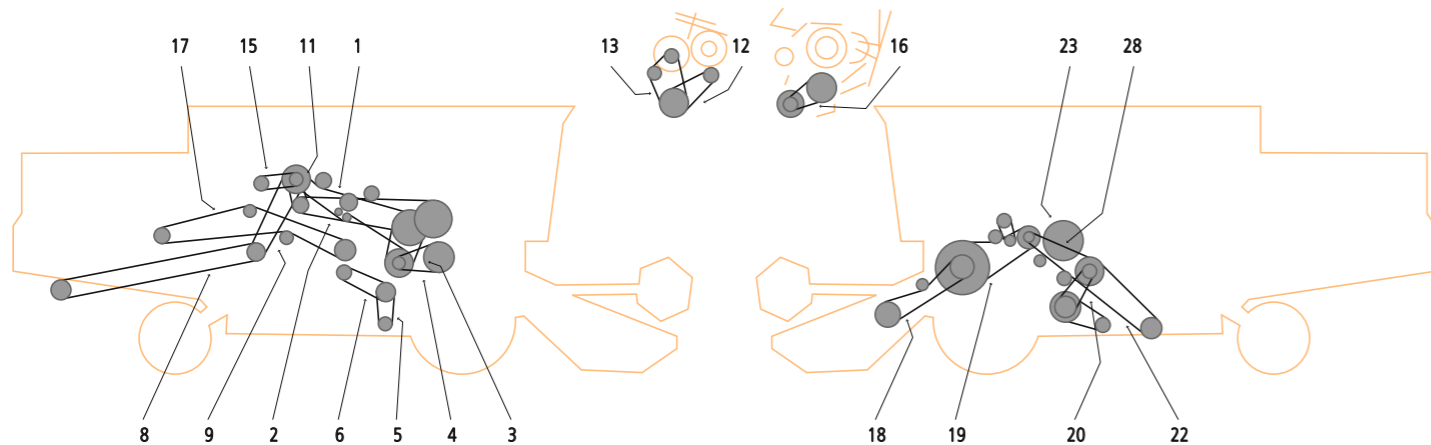


ITEM / POZYCJA	APPLICATION	OPIS	QUANTITY OF V-BELTS IN DRIVE / ILOŚĆ PASÓW W ZESPOLE	OE PART NUMBER / NUMER KATALOGOWY	COMMENT / UWAGI
1	COUNTERSHAFT - THRESHING DRUM	NAPĘD WAŁKA POŚREDNIEGO MŁOCARNI	1	01145744	
2	THRESHING DRUM	NAPĘD MŁOCARNI	1	01145766	
3	BEATER DRIVE	NAPĘD ZESPOŁU MŁOCARNI	2	01145980	X
4	GRAIN TANK	ZBIORNIK ZIARNA	1	01145877	X
5	GRAIN TANK DRIVE	NAPĘD ZBIORNIKA ZBOŻOWEGO	1	01145633	
6	GRAIN TANK DRIVE	NAPĘD ZBIORNIKA ZBOŻOWEGO	1	01145699	
7	ELEVATOR DRIVE	NAPĘD PRZENOŚNIKA	1	01145792	
8	BLOWER DRIVE	NAPĘD WENTYLATORA SILNIKA	1	01145823	
9	ALTERNATOR DRIVE	NAPĘD ALTERNATORA	1	01180173	X
10	ROTARY DUST SCREEN	NAPĘD KOSZA OBROTOWEGO CHŁODNICY	1	01145921	X
11	BEATER DRIVE	NAPĘD ZESPOŁU MŁOCARNI	1	01145742	
12	SEPARATOR CYLINDER	NAPĘD BĘBNA SEPARATORA SŁOMY	3	01145960	
13	STRAW WALKER	NAPĘD ZESPOŁU BĘBNÓW SEPARATORA	2	01145789	
14	CLEANING FAN DRIVE	NAPĘD PRZEKŁADNI WIALNI CZYSZCZĄCEJ	1	01145332	X
15	CLEANING FAN DRIVE	NAPĘD PRZEKŁADNI WIALNI CZYSZCZĄCEJ	1	01145724	X
16	SHAKER SHOE DRIVE	NAPĘD KOSZA SITOWEGO	1	01145961	X
18	STRAW CHOPPER DRIVE	NAPĘD ROZDRABNIACZA SŁOMY	1	01145865	
19	STRAW CHOPPER DRIVE	NAPĘD ROZDRABNIACZA SŁOMY	1	01145866	
20	ELEVATOR DRIVE	NAPĘD PRZENOŚNIKA	1	01146027	X
21	STRAW WALKER DRIVE	NAPĘD WYTRZĄSACZY (LEWA STRONA)	1	01141643	
22	STRAW STRIPPER DRUM	NAPĘD ZESPOŁU BĘBNA MŁÓCĄCEGO	2	01145959	
24	SEPARATOR DRIVE	NAPĘD TURBO-SEPARATORA	1	01141904	X

X - not in standard offer / brak w standardowej ofercie

ITEM / POZYCJA	APPLICATION	OPIS	QUANTITY OF V-BELTS IN DRIVE / ILOŚĆ PASÓW W ZESPOLE	OE PART NUMBER / NUMER KATALOGOWY	COMMENT / UWAGI
1		UKŁAD POMOCNICZNY SILNIKA	1	01183361	X
3		STEROWANIE WNĘTYLATOREM CHŁODZENIA	1	2.419.205.0	X
4		ODBIÓR MOCY SILNIKA	1	16062884	
5		STEROWANIE OBROTÓW KOSZEM	1	0.018.3111.0	X
6		ODBIÓR MOCY SILNIKA	1	16062737/30	
7		ODBIÓR SILNIKA WARIATOR BĘBNA MŁÓCĄCEGO	1	16062883	
9		WAŁ CARDANA SPUST ZBIORNIKA ZIARNA	1	01145055	
11		BĘBEN MŁÓCĄCY	1	01145049	
12		WENTYLATOR	1	01145332	X
13		PRZEKŁADNIA WYTRZĄSACZA	1	01145699	
14		NAPĘD WYTRZĄSACZA	1	01141789	
15		PRZEKŁADANI ROZDRABNIACZA	1	16062738	
16		ROZRZUTNIK	1	0.900.1172.1	X
17		PRZEKŁADNIA ROZDRABNIACZA	1	0.900.1559.7	X
18		BĘBEN MŁÓCĄCY	1	01145374	X
21		KANAŁ ZASILACZA	1	0.0177465.0	X
22		WYRZUTNIK SŁOMY		01145790	
23		WAŁ WYTRZĄSACZA SŁOMY		01143413	
25		PODNOŚNIK ZWROTNY		01145052	
26		WAŁ WYTRZĄSACZA SŁOMY		01145051	
29		KANAŁ PODAJNIKA		01145329	
33				06215217	
35				06210991	
35				01145203	
35				01145143	
36				01145465	X
37				01145884	
37				01145504	
37				01141608	

X - not in standard offer / brak w standardowej ofercie

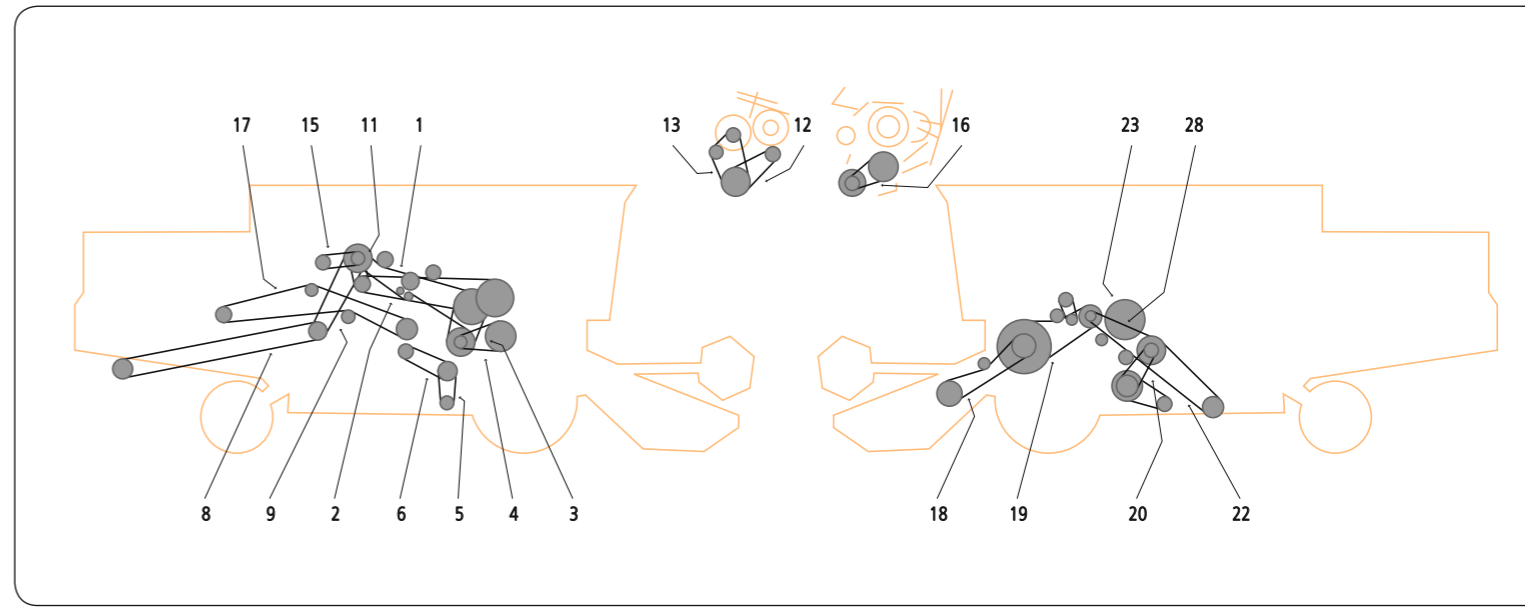
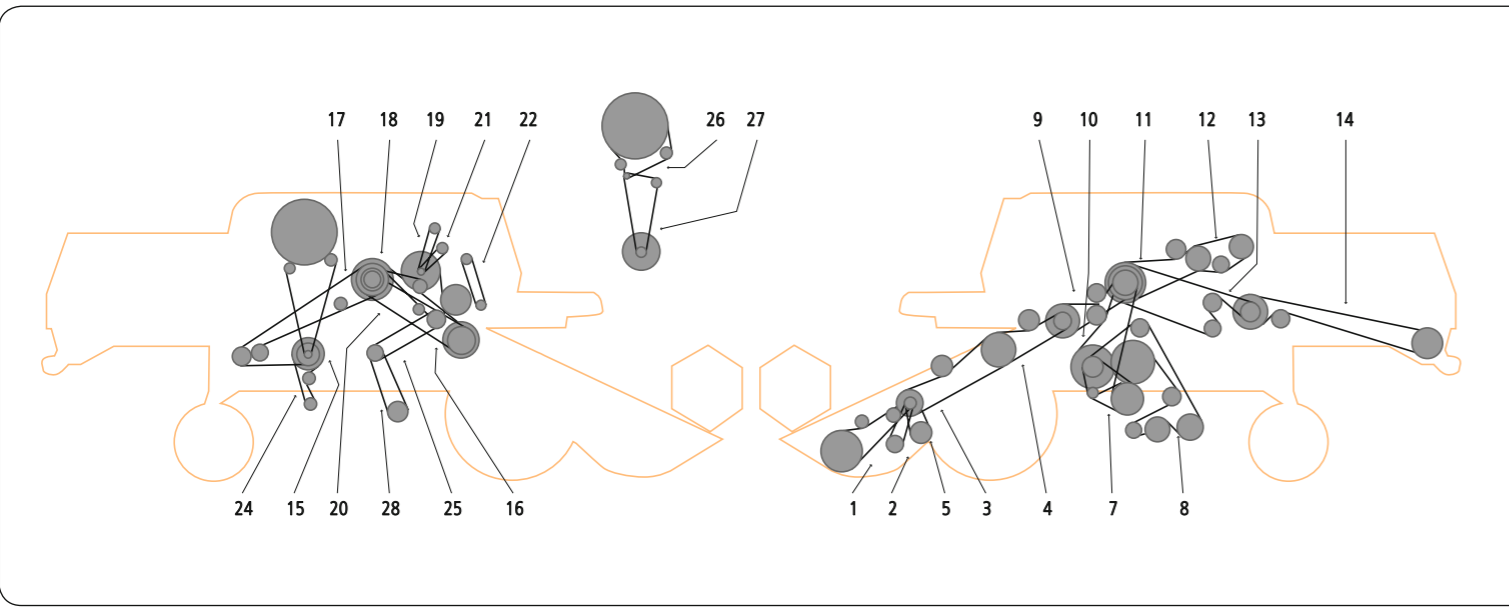


ITEM / POZYCJA	APPLICATION	OPIS	QUANTITY OF V-BELTS IN DRIVE / ILOŚĆ PASÓW W ZESPOLE	OE PART NUMBER / NUMER KATALOGOWY	COMMENT / UWAGI
1	CRANK PULLEY, FEED BEATER		1	41977500	X
2	STRIPPER BEATER, SHAKER	BĘBEN MŁÓCĄCY	1	41974300	
3	GRAIN ELEVATOR	NAPĘD PRZENOŚNIKA ZBOŻOWEGO	1	41934700	
4	RETURN ELEVATOR	NAPĘD PRZENOŚNIKA POWROTNEGO	1	41932800	
5	THRESHING DRUM	NAPĘD MŁOCARNI	1	41995400	
6	FAN, SECOND CLEANER	NAPĘD WIALNI CZYSZCZĄCEJ	1	41974300	
7	TWIN V-BELT PULLEY		1	41966100	
8	REEL	MOTOWIDŁO	1	41969000	
8	REEL	MOTOWIDŁO	1	41969400	
9	FILLING AUGER	NAPĘD ŚLIMAKA ZAŁADUNKU ZBOŻA	1	41964500	
10	COUNTERSHAFT	NAPĘD POŚREDNI KOSZA CHŁODNICY	1	41981300	
11	MAIN BLOWER	GŁÓWNA WIALNIA	1	41944200	
12	STRAW BALER	NAPĘD PRASY	1	41958700	
12	STRAW BALER	NAPĘD PRASY	1	41988400	
13	PICK-UP DEVICE	NAPĘD PODBIERACZA	1	41943200	
14	HYDRAULIC PUMP	POMPA HYDRAULICZNA	1	41902600	

X - not in standard offer / brak w standardowej ofercie

ITEM / POZYCJA	APPLICATION	OPIS	QUANTITY OF V-BELTS IN DRIVE / ILOŚĆ PASÓW W ZESPOLE	OE PART NUMBER / NUMER KATALOGOWY	COMMENT / UWAGI
1	ENGINE	NAPĘD POŚREDNI Z SILNIKA	1	41998700	X
2	COUNTERSHAFT ONE	NAPĘD POŚREDNI KOSZA CHŁODNICY	1	41996400	
3	HYDRAULIC PUMP	POMPA HYDRAULICZNA	1	41922200	X
4	GEAR BOX	NAPĘD PRZEKŁADNI	1	41994300	X
5	VARIATOR PULLEY FOR REEL	MOTOWIDŁO	1	41962000	X
6	REEL	MOTOWIDŁO	1	41939300	
7			1	41926100	
8	COUNTERSHAFT	NAPĘD POŚREDNI KOSZA CHŁODNICY	1	41903000	
9	FEEDER AUGER	NAPĘD PRZENOŚNIKA ZBOŻOWEGO	1	41982400	
10	MAIN BLOWER, SHAKER, BEATER	GŁÓWNA WIALNIA	1	41974300	
11	FILLING AUGER	NAPĘD ŚLIMAKA ZAŁADUNKU ZBOŻA	1	41938900	
12	THRESHING DRUM	NAPĘD BĘBNA MŁÓCĄCEGO	1	41974300	
13	GRAIN ELEVATOR	NAPĘD PRZENOŚNIKA ZBOŻOWEGO	1	41336500	

X - not in standard offer / brak w standardowej ofercie



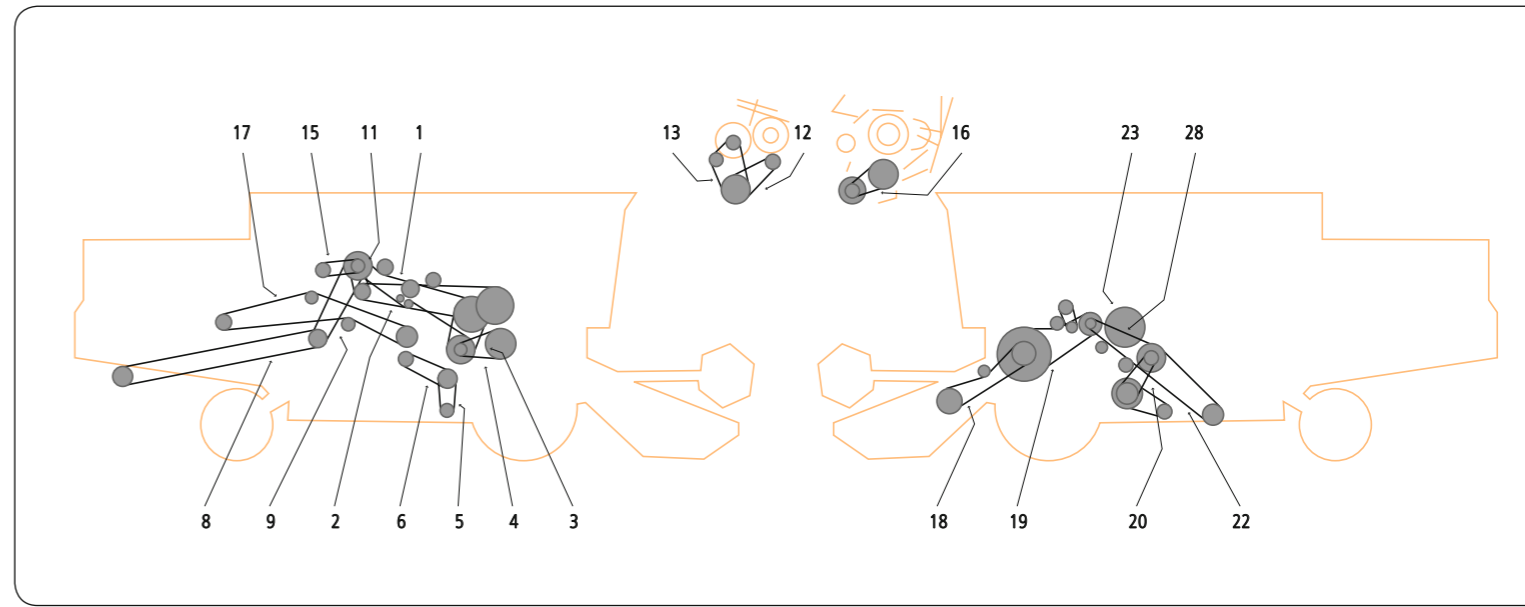
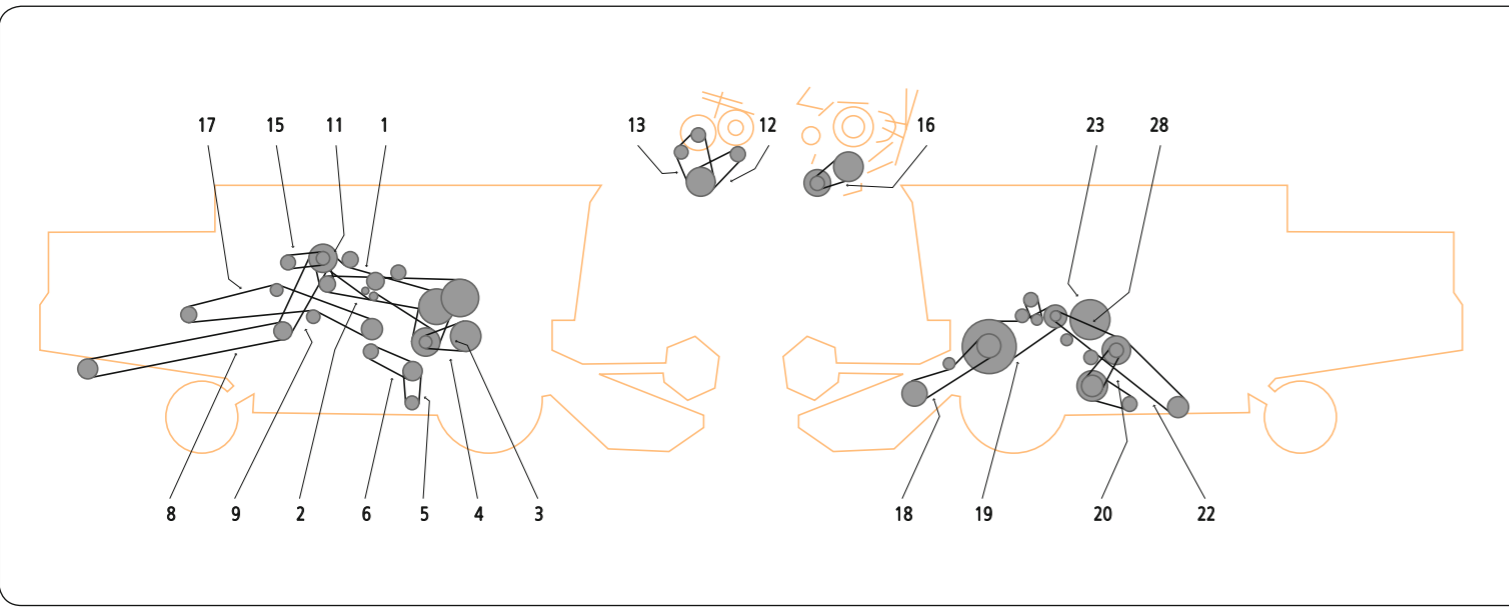
ITEM / POZYCJA	APPLICATION	OPIS	QUANTITY OF V-BELTS IN DRIVE / ILOŚĆ PASÓW W ZESPOLE	OE PART NUMBER / NUMER KATALOGOWY	COMMENT / UWAGI
1	BEATER RETURN ELEVATOR	NAPĘD MŁOCARNI	1	41932800	
2			1	41904900	
3	ROLLER CHAIN	NAPĘD SEPARATORA	1		X
4	COUNTERSHAFT	NAPĘD POŚREDNI KOSZA CHŁODNICY	1	41954800	
5	COUNTERSHAFT	NAPĘD POŚREDNI KOSZA CHŁODNICY	1	41995700	
6	DRIVING GEAR FOR AUGER	NAPĘD PRZEKŁADNI	1	41955800	
7			1	41962600	X
8	PICK-UP DEVICE	NAPĘD PODBIERACZA	1	41964600	
10	STRAW CUTTER	SIECZKARNIA	1	41957900	

X - not in standard offer / brak w standardowej ofercie

ITEM / POZYCJA	APPLICATION	OPIS	QUANTITY OF V-BELTS IN DRIVE / ILOŚĆ PASÓW W ZESPOLE	OE PART NUMBER / NUMER KATALOGOWY	COMMENT / UWAGI
1	FILLING ELEVATOR	NAPĘD ZESPOŁU ZAŁADUNKU	1	41935700	
2	UPPER RETURN AUGER. SPREADER AUGER	NAPĘD GÓRNEGO ŚLIMAKA PRZENOŚNIKA	1	41933300	
3	GRAIN ELEVATOR. RETURN ELEVATOR	NAPĘD GÓRNEGO PRZENOŚNIKA ZIARNOWEGO	1	41932600	
4	COUNTERSHAFT	NAPĘD POŚREDNI KOSZA CHŁODNICY	1	41998900	
5	HYDRAULIC PUMP	POMPA HYDRAULICZNA	1	41996700	
6	DRIVING GEAR	KOŁO CZYNNNE	1	41996300	
7	AWNER	NAPĘD ŻUBROWNIKA	1	41974300	
8	STRAW SHAKER	NAPĘD ZESPOŁU WYTRZĄSACZY	1	41966500	
10	UPPER FEEDER SHAFT	GÓRNY PRZENOŚNIK	1	41937300	
11	KNIFE DRIVE	NAPĘD KOSY	1	41964400	
12	FEEDER AUGER	NAPĘD PRZENOŚNIKA ZBOŻOWEGO	1	41953700	
13	HYDRAULIC DRIVE VARIATOR	NAPĘD HYDRAULICZNY	1	41996500	
15	SPRING LOADED DRIVE VARIATOR	NAPĘD ZAŁADUNKU	1	41994300	X
16	STRAW GUIDE	WYTRZĄSACZ	1	41926100	
17	STRAW CHOPPER	NAPĘD ROZDRABNIACZA SŁOMY	1	41959100	
18	THRESHING DRUM	NAPĘD MŁOCARNI	1	41994900	X
20	STRAW GUIDE	WYTRZĄSACZ	1	41996100	
21	MAIN FAN VARIATOR	GŁÓWNA WIALNIA	1	41928100	
22	MAIN FAN	GŁÓWNA WIALNIA	1	41930300	
24	UPPER FEEDER SHAFT	GÓRNY PRZENOŚNIK	1	41954800	
25	PICK UP DRUM	NAPĘD PODBIERACZA BĘBNA	1	41964600	

X - not in standard offer / brak w standardowej ofercie





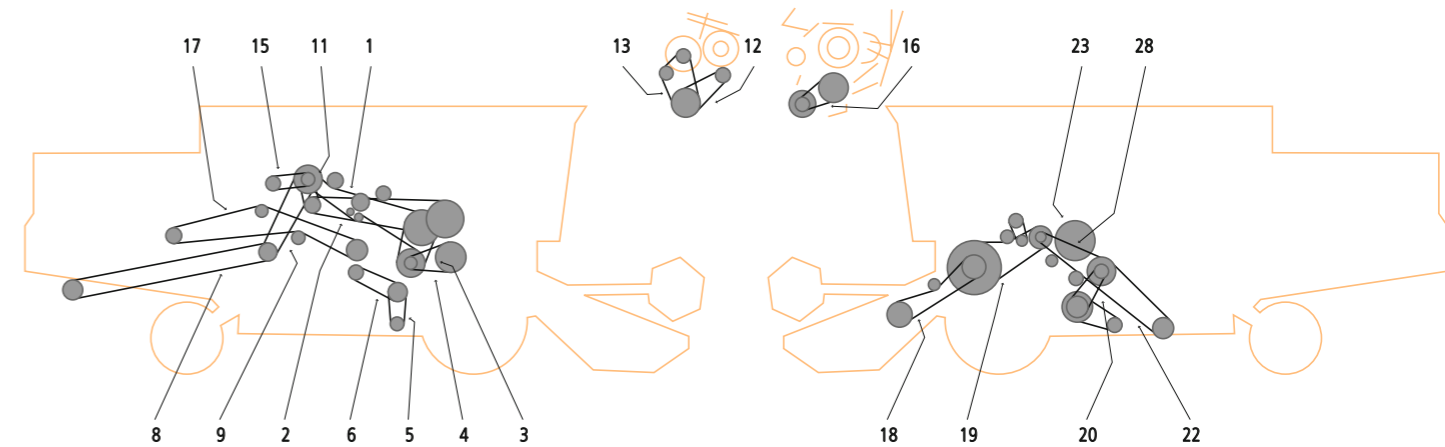
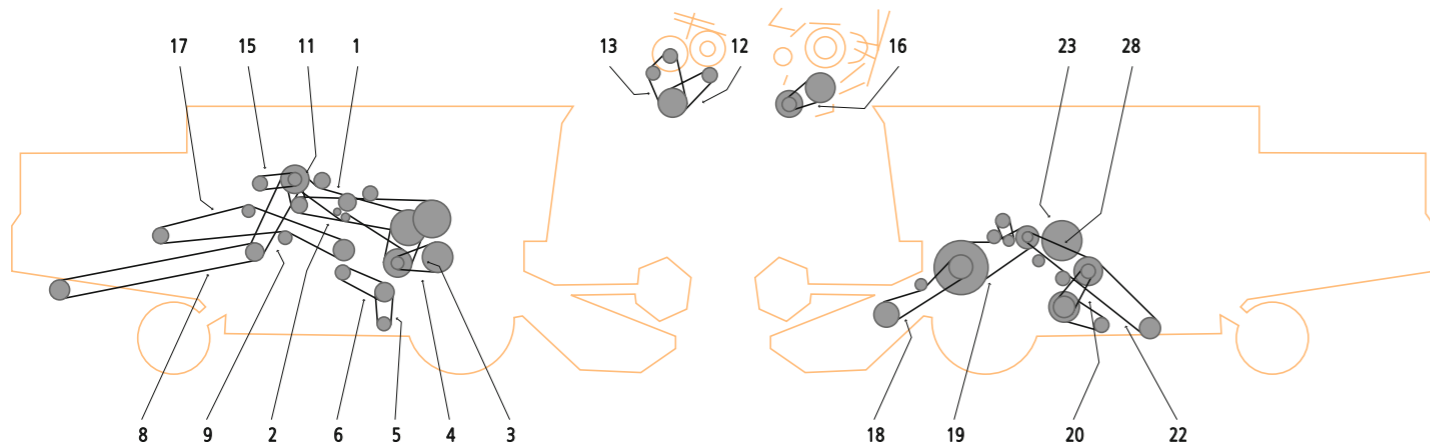
ITEM / POZYCJA	APPLICATION	OPIS	QUANTITY OF V-BELTS IN DRIVE / ILOŚĆ PASÓW W ZESPOLE	OE PART NUMBER / NUMER KATALOGOWY	COMMENT / UWAGI
1	FAN	NAPĘD WENTYLATORA	1	41928100	
2	COUNTERSHAFT	NAPĘD POŚREDNI KOSZA CHŁODNICY	1	41996400	
4	FAN	NAPĘD WENTYLATORA	1	41974300	
5	DRIVING GEAR	KOŁO CZYNNE	1	41996600	
6	HYDRAULIC DRIVE VARIATOR	NAPĘD HYDRAULICZNY	1	41996500	
7	GEAR BOX	NAPĘD PRZEKŁADNI	1	41994300	X
9	GRAIN ELEVATOR	NAPĘD PRZENOŚNIKA ZBOŻOWEGO	1	41931900	
10	SHAKER DRIVE	NAPĘD WYTRZĄSACZY POPRZECZNYCH	1	41966900	
11	FILLING AUGER	NAPĘD ŚLIMAKA ZAŁADUNKU ZBOŻA	1	41997600	
12	UPPER RETURN AUGER	NAPĘD GÓRNEGO ŚLIMAKA PRZENOŚNIKA	1	41965200	
13	FEEDER SHAFT	PRZENOŚNIK	1	41967400	
14	FEEDER AUGER	NAPĘD PRZENOŚNIKA ZBOŻOWEGO	1	41953700	
20	UPPER RETURN AUGER	NAPĘD GÓRNEGO ŚLIMAKA PRZENOŚNIKA	1	41923000	X
21	THRESHING DRUM	NAPĘD MŁOCARNI	1	41995200	X
22	THRESHING DRUM	NAPĘD MŁOCARNI	1	41981900	
23	VARIATOR PULLEY FOR MAIN BLOWER	GŁÓWNA WIALNIA	1	41932900	
24	MAIN BLOWER	GŁÓWNA WIALNIA	1	41931900	
25	PUMP FOR HYDRAULIC STEERING	HYDRAULICZNE STEROWANIE	1	41905200	
27	FEEDER SHAFT	PRZENOŚNIK	1	41967400	
29	CRANK PULLEY		1	41964400	

X - not in standard offer / brak w standardowej ofercie

ITEM / POZYCJA	APPLICATION	OPIS	QUANTITY OF V-BELTS IN DRIVE / ILOŚĆ PASÓW W ZESPOLE	OE PART NUMBER / NUMER KATALOGOWY	COMMENT / UWAGI
1	FILLING ELEVATOR	NAPĘD ZESPOŁU ZAŁADUNKU	1	41935700	
2	UPPER RETURN AUGER. SPREADING AUGER	NAPĘD GÓRNEGO ŚLIMAKA PRZENOŚNIKA	1	41933300	
3	GRAIN ELEVATOR. RETURN ELEVATOR	NAPĘD GÓRNEGO PRZENOŚNIKA ZIARNOWEGO	1	41932600	
4	COUNTERSHAFT	NAPĘD POŚREDNI KOSZA CHŁODNICY	1	41998900	
5	HYDRAULIC PUMP	POMPA HYDRAULICZNA	1	41996700	
6	DRIVING GEAR	KOŁO CZYNNE	1	41996300	
7	AWNER	NAPĘD ŻUBROWNIKA	1	41974300	
8	STRAW SHAKER	NAPĘD ZESPOŁU WYTRZĄSACZY	1	41966500	
10	UPPER FEEDER SHAFT	GÓRNY PRZENOŚNIK	1	41937300	
11	KNIFE DRIVE	NAPĘD KOSY	1	41964400	
12	FEEDER AUGER	NAPĘD PRZENOŚNIKA ZBOŻOWEGO	1	41953700	
13	HYDRAULIC DRIVE VARIATOR	NAPĘD HYDRAULICZNY	1	41996500	
15	SPRING LOADED DRIVE VARIATOR	NAPĘD ZAŁADUNKU	1	41994300	X
16	STRAW GUIDE	WYTRZĄSACZ	1	41926100	
17	STRAW CHOPPER	NAPĘD ROZDRABNIACZA SŁOMY	1		X
18	THRESHING DRUM	NAPĘD MŁOCARNI	1	41994900	X
20	STRAW GUIDE	WYTRZĄSACZ	1	41996100	
21	MAIN FAN VARIATOR	GŁÓWNA WIALNIA	1	41928100	
22	MAIN FAN	GŁÓWNA WIALNIA	1	41930300	
24	UPPER FEEDER SHAFT	GÓRNY PRZENOŚNIK	1	41954800	
25	PICK UP DRUM	NAPĘD PODBIERACZA BĘBNA	1	41964600	

X - not in standard offer / brak w standardowej ofercie



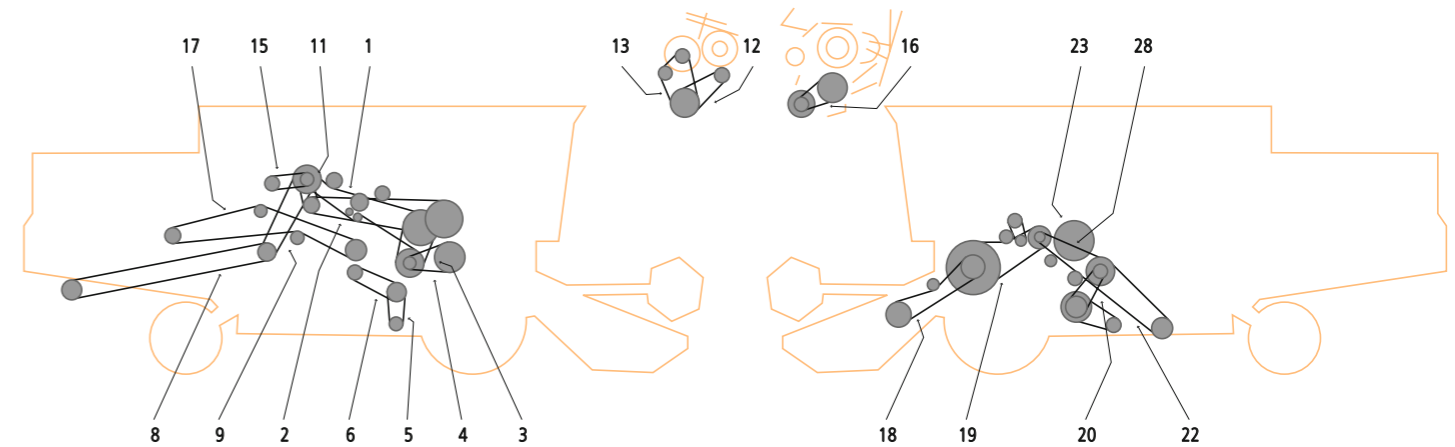
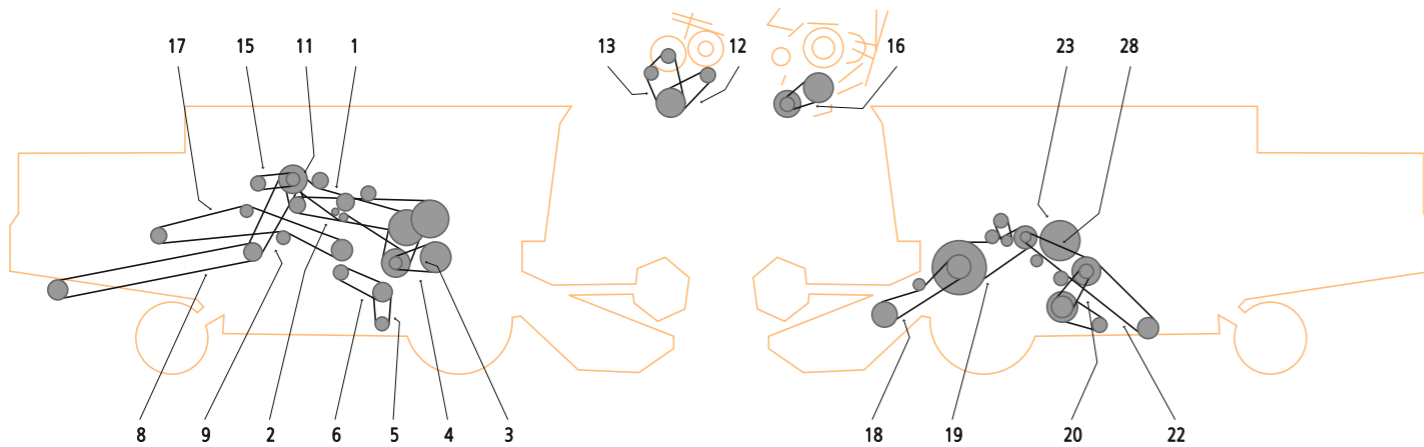


ITEM / POZYCJA	APPLICATION	OPIS	QUANTITY OF V-BELTS IN DRIVE / ILOŚĆ PASÓW W ZESPOLE	OE PART NUMBER / NUMER KATALOGOWY	COMMENT / UWAGI
1			1	41983500	
2			1	41964300	
5			1	41950600	
6			1	41950900	
9			1	41987200	
10			1	41935200	
12			1	41928900	
13			1	41942100	
14			1	41987300	
15			1	41912200	
18			1	41935900	
19			1	41950400	
20			1	41929200	

X - not in standard offer / brak w standardowej ofercie

ITEM / POZYCJA	APPLICATION	OPIS	QUANTITY OF V-BELTS IN DRIVE / ILOŚĆ PASÓW W ZESPOLE	OE PART NUMBER / NUMER KATALOGOWY	COMMENT / UWAGI
1	FEEDER AUGER	NAPĘD PRZENOŚNIKA ZBOŻOWEGO	1	41983500	
2	COUNTERSHAFT	NAPĘD POŚREDNI KOSZA CHŁODNICY	1	41964300	
2	KNIFE DRIVE	NAPĘD KOSY	1	41964300	
3	UPPER FEEDER SHAFT	GÓRNY PRZENOŚNIK	1	41955400	
3	COUNTERSHAFT	NAPĘD POŚREDNI KOSZA CHŁODNICY	1	41955400	
4	UPPER FEEDER SHAFT	GÓRNY PRZENOŚNIK	1	41993900	X
4	UPPER FEEDER SHAFT	GÓRNY PRZENOŚNIK	1	41994000	X
5	GRAIN ELEVATOR	NAPĘD PRZENOŚNIKA ZBOŻOWEGO	1	41954100	
5	ECCENTRIC SHAFT	NAPĘD MIMOŚRODOWY	1	41982200	
6	CENTRE SHAFT	ŚRODKOWY WAŁEK	1	41987100	
6	STRAW SHAKER. RETURN AUGER	NAPĘD ZESPOŁU WYTRZĄSACZY	1	41989900	
7	INTERMEDIATE SHAFT	NAPĘD PRZENOŚNIKA POCHYLEGO	1	41950000	
7	ENGINE	NAPĘD POŚREDNI Z SILNIKA	1	41994600	
8	STRAW GUIDE	WYTRZĄSACZ	1	41956000	X
9	STRAW GUIDE	WYTRZĄSACZ	1	41950000	
9	COUNTERSHAFT	NAPĘD POŚREDNI KOSZA CHŁODNICY	1	41995600	
10	ECCENTRIC SHAFT	NAPĘD MIMOŚRODOWY	1	41952200	
10	HYDRAULIC PUMP	POMPA HYDRAULICZNA	1	41997200	
11	RETURN AUGER	NAPĘD ŚLIMAKA PRZENOŚNIKA KŁOSOWEGO	1	41989900	
11	COUNTER DRIVE (STRAW CUTTER)	NAPĘD POMOCNICZY	1	41999600	
11	COUNTER DRIVE	NAPĘD POMOCNICZY	1	41999700	
12	STRAW CUTTER	SIECZKARNIA	1	41999800	
13	STRAW CHOPPER	NAPĘD ROZDRABNIACZA SŁOMY	1	41940900	
13	STRAW GUIDE. DISCHARGE AUGER	WYTRZĄSACZ	1	41995100	X
14	MAIN FAN	GŁÓWNA WIALNIA	1	41957600	
14	THRESHING DRUM	NAPĘD MŁOCARNI	1	41957800	
15	MAIN FAN	GŁÓWNA WIALNIA	1	41950100	
15	COUNTERSHAFT	NAPĘD POŚREDNI KOSZA CHŁODNICY	1	41995200	X
16	VARIATOR FOR MAIN FAN	GŁÓWNA WIALNIA	1	41950200	
16	DISCHARGE AUGER	NAPĘD WYSYPU ZBIORNIKA	1	41994900	X
17	MAIN FAN	GŁÓWNA WIALNIA	1	41950300	
18	GRAIN AUGER. ECCENTRIC SHAFT	NAPĘD PRZENOŚNIKA ŚLIMAKOWEGO	1	41983100	

X - not in standard offer / brak w standardowej ofercie

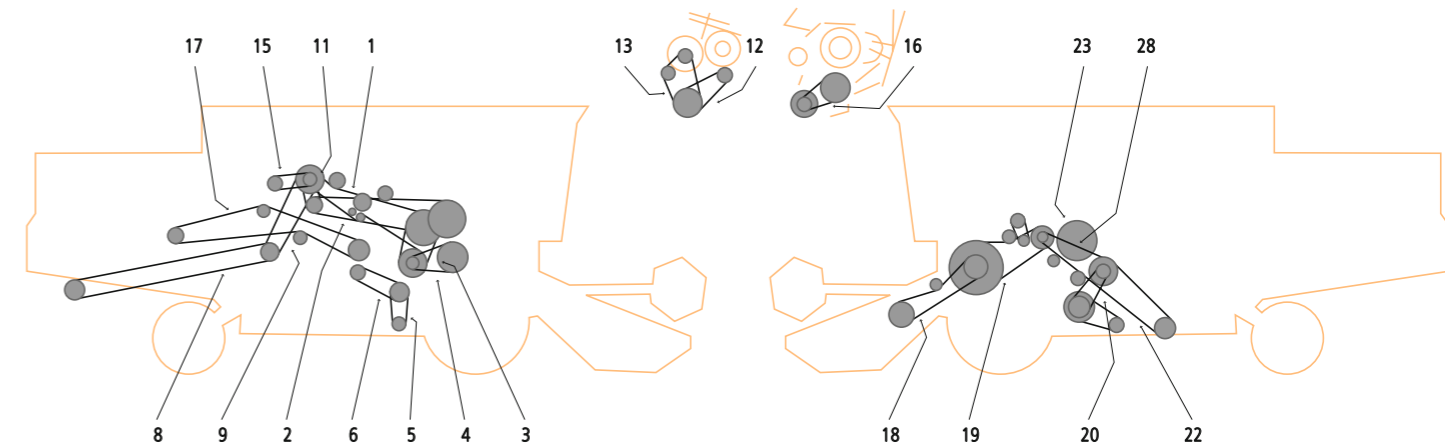
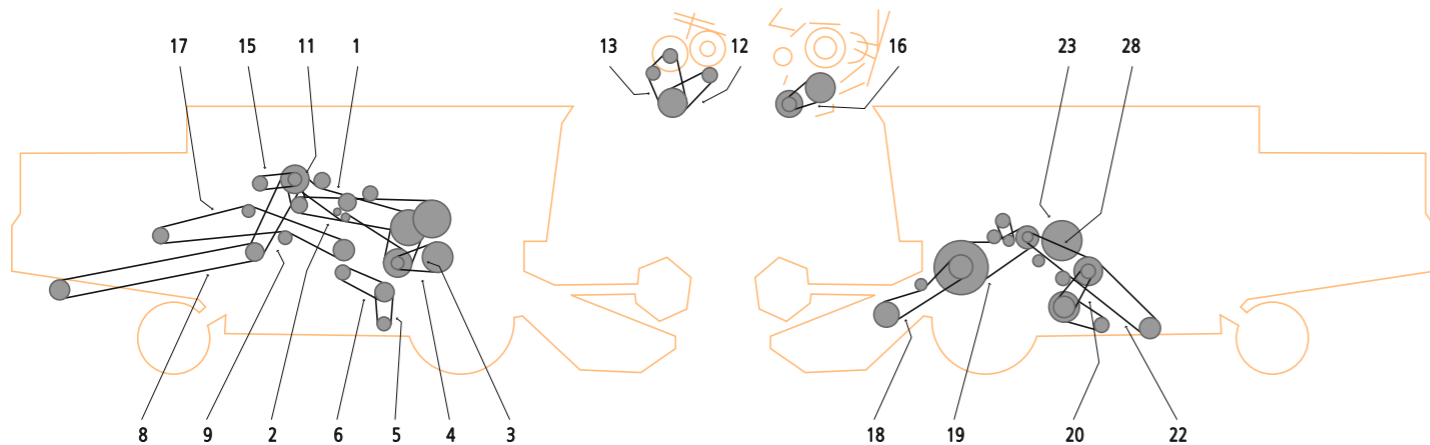


ITEM / POZYCJA	APPLICATION	OPIS	QUANTITY OF V-BELTS IN DRIVE / ILOŚĆ PASÓW W ZESPOLE	OE PART NUMBER / NUMER KATALOGOWY	COMMENT / UWAGI
1	FEEDER AUGER	NAPĘD PRZENOŚNIKA ZBOŻOWEGO	1	41983500	
2	KNIFE DRIVE	NAPĘD KOSY	1	41964300	
3	COUNTERSHAFT	NAPĘD POŚREDNI KOSZA CHŁODNICY	1	41955400	
4	UPPER FEEDER SHAFT	GÓRNY PRZENOŚNIK	1	41994000	X
5	ECCENTRIC SHAFT	NAPĘD MIMOŚRODOWY	1	41982200	
6	STRAW SHAKER. RETURN AUGER	NAPĘD ZESPOŁU WYTRZĄSACZY	1	41989900	
7	INTERMEDIATE SHAFT	NAPĘD PRZENOŚNIKA POCHYLEGO	1	41950000	
8	STRAW GUIDE	WYTRZĄSACZ	1	41956000	X
9	COUNTERSHAFT	NAPĘD POŚREDNI KOSZA CHŁODNICY	1	41995600	
10	HYDRAULIC PUMP	POMPA HYDRAULICZNA	1	41997200	
11	COUNTER DRIVE (STRAW CUTTER)	NAPĘD POMOCNICZY	1	41999700	
12	STRAW CUTTER	SIECZKARNIA	1	41999800	
13	STRAW GUIDE. DISCHARGE AUGER	WYTRZĄSACZ	1	41995100	X
14	THRESHING DRUM	NAPĘD MŁOCARNI	1	41957800	
15	COUNTERSHAFT	NAPĘD POŚREDNI KOSZA CHŁODNICY	1	41995200	X
16	VARIATOR FOR MAIN FAN	GLÓWNA WIALNIA	1	41950200	
17	MAIN FAN	GLÓWNA WIALNIA	1	41950300	
18	GRAIN AUGER. ECCENTRIC SHAFT	NAPĘD PRZENOŚNIKA ŚLIMAKOWEGO	1	41983100	

X - not in standard offer / brak w standardowej ofercie

ITEM / POZYCJA	APPLICATION	OPIS	QUANTITY OF V-BELTS IN DRIVE / ILOŚĆ PASÓW W ZESPOLE	OE PART NUMBER / NUMER KATALOGOWY	COMMENT / UWAGI
1	FEEDER AUGER	NAPĘD PRZENOŚNIKA ZBOŻOWEGO	1	41983500	
2	KNIFE DRIVE	NAPĘD KOSY	1	41964300	
2	KNIFE DRIVE	NAPĘD KOSY	1	41964300	
3	COUNTERSHAFT	NAPĘD POŚREDNI KOSZA CHŁODNICY	1	41955400	
4	UPPER FEEDER SHAFT	GÓRNY PRZENOŚNIK	1	41994000	X
5	ECCENTRIC SHAFT	NAPĘD MIMOŚRODOWY	1	41986900	
6	RETURN AUGER	NAPĘD ŚLIMAKA PRZENOŚNIKA KŁOSOWEGO	1		X
7	CENTRE SHAFT	ŚRODKOWY WAŁEK	1	41950000	
8	STRAW GUIDE	WYTRZĄSACZ	1	41986800	
9	COUNTERSHAFT	NAPĘD POŚREDNI KOSZA CHŁODNICY	1		X
10	ENGINE	NAPĘD POŚREDNI Z SILNIKA	1	41997200	
11	COUNTER DRIVE	NAPĘD POMOCNICZY	1	41999700	
12	STRAW CHOPPER	NAPĘD ROZDRABNIACZA SŁOMY	1	41999800	
13	DISCHARGE AUGER	NAPĘD WYSYPU ZBIORNIKA	1		X
14	THRESHING DRUM	NAPĘD MŁOCARNI	1	41957800	
15	SELECTOR (SPRING LOADED)	NAPĘD ZAŁADUNKU	1	41995200	X
16	SELECTOR FOR MAIN FAN	WIALNIA	1	41950200	
17	MAIN FAN	GLÓWNA WIALNIA	1	41950300	
18	GRAIN AUGER	NAPĘD PRZENOŚNIKA ŚLIMAKOWEGO	1	41987000	
19	OIL PUMP	NAPĘD POMPY	1	41996700	

X - not in standard offer / brak w standardowej ofercie

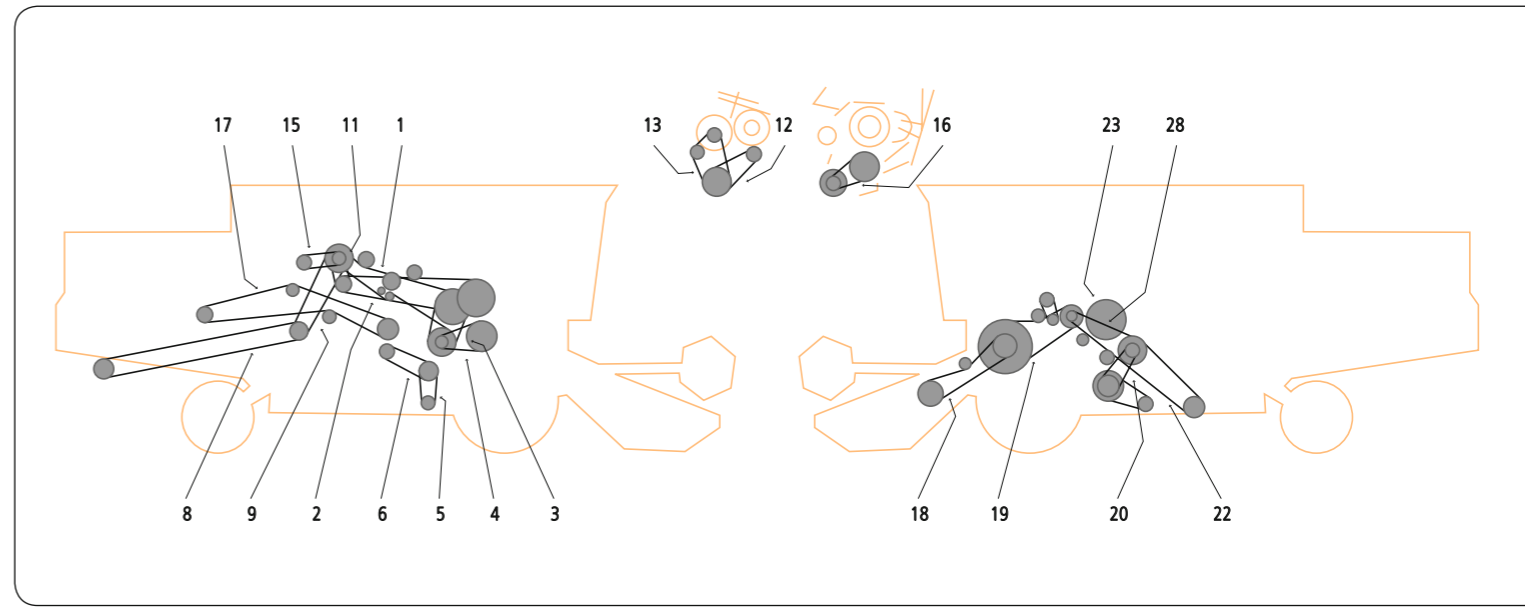
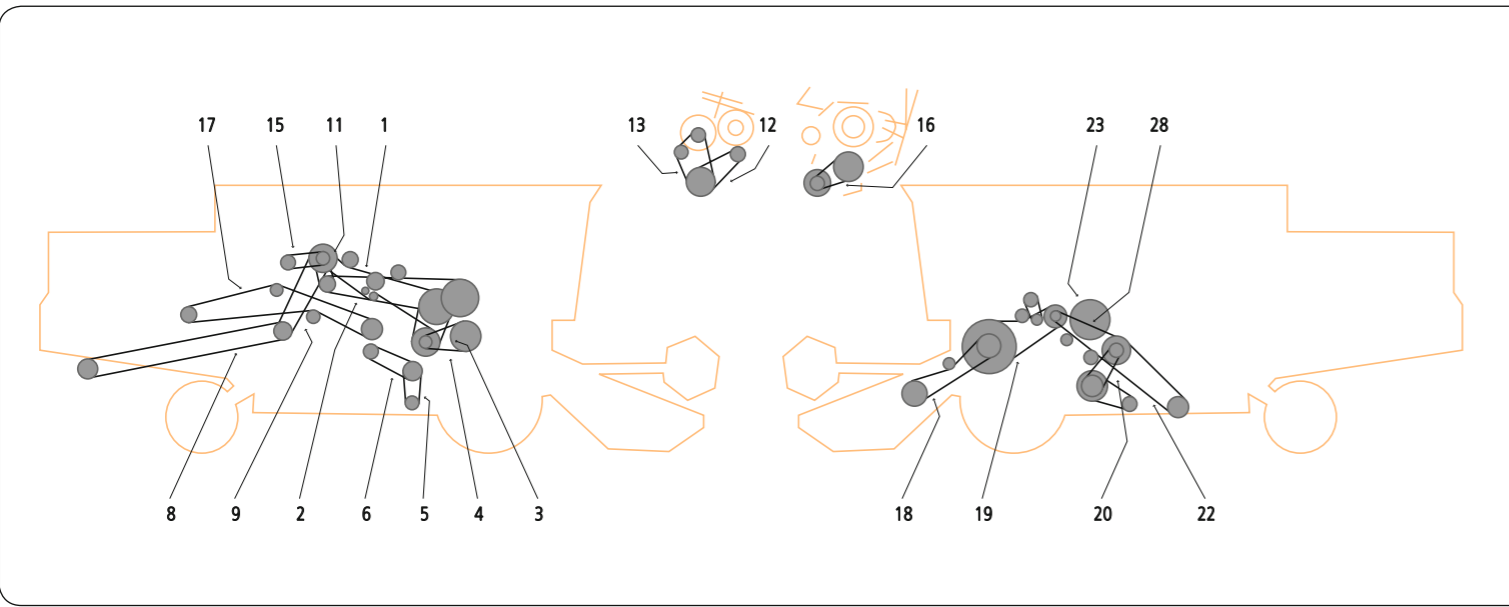


ITEM / POZYCJA	APPLICATION	OPIS	QUANTITY OF V-BELTS IN DRIVE / ILOŚĆ PASÓW W ZESPOLE	OE PART NUMBER / NUMER KATALOGOWY	COMMENT / UWAGI
1	UPPER RETURN AUGER	NAPĘD GÓRNEGO ŚLIMAKA PRZENOŚNIKA	1	41926400	
2	DISTRIBUTING AUGER	NAPĘD WYSYPU ZBIORNIKA	1	41935300	
3	STRIPPER BEATER	BĘBEN MŁÓCĄCY	1		X
4	PROPULSION PUMP	NAPĘD POMPY	1		X
5	HYDRAULIC PUMP	POMPA HYDRAULICZNA	1	41924900	
6	STRAW CHOPPER	NAPĘD ROZDRABNIACZA SŁOMY	1	41986500	
7	FEEDER DRUM	NAPĘD BĘBNA WCIĄGAJACEGO	1	41929500	
7	FEEDER DRUM	NAPĘD BĘBNA WCIĄGAJACEGO	1	41986400	
8	COUNTERSHAFT	NAPĘD POŚREDNI KOSZA CHŁODNICY	1	41927000	
9	UPPER FEEDER SHAFT	GÓRNY PRZENOŚNIK	1	41983900	
10	COUNTER DRIVE. STRAW CHOPPER	NAPĘD POMOCNICZY	1	41955900	
11	COUNTER DRIVE	NAPĘD POMOCNICZY	1		X
13	AWNER SHAFT	NAPĘD ŻUBROWNIKA	1		X
14	INTERMEDIATE SHAFT	NAPĘD PRZENOŚNIKA POCHYLEGO	1	41926600	
15	GRAIN ELEVATOR	NAPĘD PRZENOŚNIKA ZBOŻOWEGO	1	41937600	
16	DISCHARGE AUGER	NAPĘD WYSYPU ZBIORNIKA	1	41983400	X
17	ECCENTRIC SHAFT	NAPĘD MIMOŚRODOWY	1	41926300	
18	MAIN FAN	GLÓWNA WIALNIA	1	41930300	
19	ECCENTRIC SHAFT	NAPĘD MIMOŚRODOWY	1	41934900	
20	STRIPPER BEATER	BĘBEN MŁÓCĄCY	1	41980600	X

X - not in standard offer / brak w standardowej ofercie

ITEM / POZYCJA	APPLICATION	OPIS	QUANTITY OF V-BELTS IN DRIVE / ILOŚĆ PASÓW W ZESPOLE	OE PART NUMBER / NUMER KATALOGOWY	COMMENT / UWAGI
1	UPPER RETURN AUGER	NAPĘD GÓRNEGO ŚLIMAKA PRZENOŚNIKA	1	41964300	
2	FILLING AUGER	NAPĘD ŚLIMAKA ZAŁADUNKU ZBOŻA	1		X
3	STRIPPER BEATER	BĘBEN MŁÓCĄCY	1		X
4	PROPULSION PUMP	NAPĘD POMPY	1		X
5	HYDRAULIC PUMP	POMPA HYDRAULICZNA	1	41924900	
6	STRAW CHOPPER	NAPĘD ROZDRABNIACZA SŁOMY	1	41986500	
7	FEEDER DRUM	NAPĘD BĘBNA WCIĄGAJACEGO	1	41929500	
7	FEEDER DRUM	NAPĘD BĘBNA WCIĄGAJACEGO	1	41986400	
8	COUNTERSHAFT	NAPĘD POŚREDNI KOSZA CHŁODNICY	1	41992700	
9	UPPER FEEDER SHAFT	GÓRNY PRZENOŚNIK	1	41983900	
10	COUNTER DRIVE	NAPĘD POMOCNICZY	1	41955900	
11	ECCENTRIC SHAFT	NAPĘD MIMOŚRODOWY	1		X
13	AWNER SHAFT	NAPĘD ŻUBROWNIKA	1		X
14	INTERMEDIATE SHAFT	NAPĘD PRZENOŚNIKA POCHYLEGO	1	41926600	
15	GRAIN ELEVATOR	NAPĘD PRZENOŚNIKA ZBOŻOWEGO	1	41937600	
16	DISCHARGE AUGER	NAPĘD WYSYPU ZBIORNIKA	1	41984300	
17	ECCENTRIC SHAFT	NAPĘD MIMOŚRODOWY	1	41926300	
18	MAIN FAN	GLÓWNA WIALNIA	1	41930300	
19	MAIN FAN SELECTOR	GLÓWNA WIALNIA	1	41934900	
20	DISCHARGE AUGER	NAPĘD WYSYPU ZBIORNIKA	1	41980300	X
20	STRIPPER BEATER	BĘBEN MŁÓCĄCY	1	41980600	X

X - not in standard offer / brak w standardowej ofercie

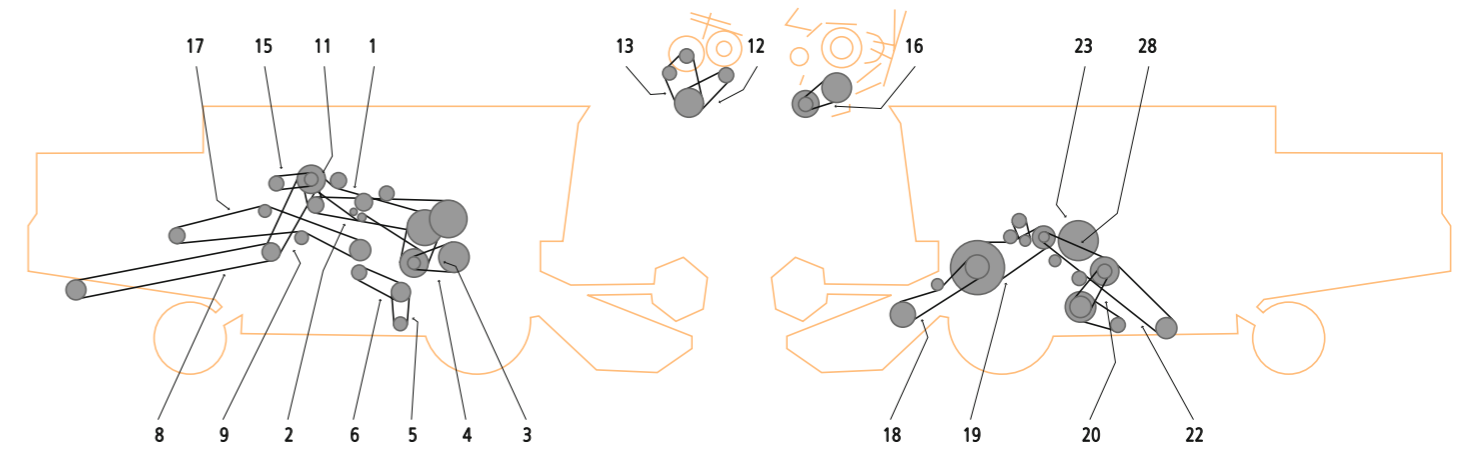
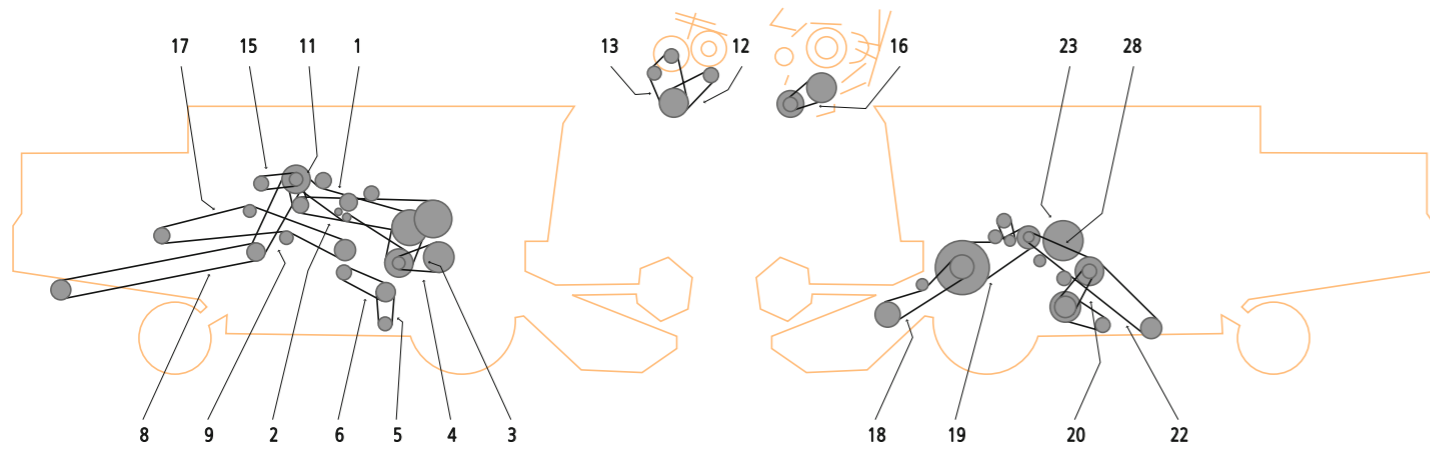


ITEM / POZYCJA	APPLICATION	OPIS	QUANTITY OF V-BELTS IN DRIVE / ILOŚĆ PASÓW W ZESPOLE	OE PART NUMBER / NUMER KATALOGOWY	COMMENT / UWAGI
1	UPPER RETURN AUGER	NAPĘD GÓRNEGO ŚLIMAKA PRZENOŚNIKA	1	41964300	
2	STRIPPER BEATER	BĘBEN MŁÓCĄCY	1		X
3	ENGINE	NAPĘD POŚREDNI Z SILNIKA	1		X
4	PROPULSION SELECTOR	NAPĘD WYBIERAKA	1	41980100	
5	HYDRAULIC PUMP	POMPA HYDRAULICZNA	1	41924900	
6	STRAW CHOPPER	NAPĘD ROZDRABNIACZA SŁOMY	1	41986500	
7	FEEDER DRUM	NAPĘD BĘBNA WCIĄGAJACEGO	1	41929500	
7	FEEDER DRUM	NAPĘD BĘBNA WCIĄGAJACEGO	1	41986400	
8	COUNTERSHAFT	NAPĘD POŚREDNI KOSZA CHŁODNICY	1	41992700	
9	UPPER FEEDER SHAFT	GÓRNY PRZENOŚNIK	1	41983900	
10	GEAR BOX	NAPĘD PRZEKŁADNI	1		X
11	COUNTER DRIVE	NAPĘD POMOCNICZY	1	41955900	
12	ECCENTRIC SHAFT	NAPĘD MIMOŚRODOWY	1		X
13	GRAIN ELEVATOR	NAPĘD PRZENOŚNIKA ZBOŻOWEGO	1		X
14	INTERMEDIATE SHAFT	NAPĘD PRZENOŚNIKA POCHYLEGO	1	41926600	
15	STRIPPER BEATER	BĘBEN MŁÓCĄCY	1	41937600	
16	DISCHARGE AUGER	NAPĘD WYSYPU ZBIORNIKA	1	41984300	
17	ECCENTRIC SHAFT	NAPĘD MIMOŚRODOWY	1	41926300	
18	MAIN FAN	GLÓWNA WIALNIA	1	41930300	
19	MAIN FAN SELECTOR	GLÓWNA WIALNIA	1	41934900	
20	THRESHING DRUM	NAPĘD MŁOCARNI	1	41980000	X

X - not in standard offer / brak w standardowej ofercie

ITEM / POZYCJA	APPLICATION	OPIS	QUANTITY OF V-BELTS IN DRIVE / ILOŚĆ PASÓW W ZESPOLE	OE PART NUMBER / NUMER KATALOGOWY	COMMENT / UWAGI
1	UPPER RETURN AUGER	NAPĘD GÓRNEGO ŚLIMAKA PRZENOŚNIKA	1	41926400	
2	DISTRIBUTING AUGER	NAPĘD WYSYPU ZBIORNIKA	1	41935300	
3	STRIPPER BEATER	BĘBEN MŁÓCĄCY	1		X
4	PROPULSION SELECTOR	NAPĘD WYBIERAKA	1	41980100	
5	HYDRAULIC PUMP	POMPA HYDRAULICZNA	1	41924900	
5	ENGINE	NAPĘD POŚREDNI Z SILNIKA	1	41925300	
6	STRAW CHOPPER	NAPĘD ROZDRABNIACZA SŁOMY	1	41986500	
7	FEEDER DRUM	NAPĘD BĘBNA WCIĄGAJACEGO	1	41929500	
7	FEEDER DRUM	NAPĘD BĘBNA WCIĄGAJACEGO	1	41986400	
8	COUNTERSHAFT	NAPĘD POŚREDNI KOSZA CHŁODNICY	1	41992700	
9	UPPER FEEDER SHAFT	GÓRNY PRZENOŚNIK	1	41983900	
10	GEAR BOX	NAPĘD PRZEKŁADNI	1		X
10	GEAR BOX	NAPĘD PRZEKŁADNI	1		X
11	COUNTER DRIVE. STRAW CHOPPER	NAPĘD POMOCNICZY	1	41955900	
12	STRAW SHAKER	NAPĘD ZESPOŁU WYTRZĄSACZY	1		X
13	AWNER SHAFT	NAPĘD ŻUBROWNIKA	1		X
14	INTERMEDIATE SHAFT	NAPĘD PRZENOŚNIKA POCHYLEGO	1	41926600	
15	GRAIN ELEVATOR	NAPĘD PRZENOŚNIKA ZBOŻOWEGO	1	41937600	
16	DISCHARGE AUGER	NAPĘD WYSYPU ZBIORNIKA	1	41984300	
17	ECCENTRIC SHAFT	NAPĘD MIMOŚRODOWY	1	41926300	
17	ECCENTRIC SHAFT	NAPĘD MIMOŚRODOWY	1	41928800	
18	MAIN FAN	GLÓWNA WIALNIA	1	41928800	
18	MAIN FAN	GLÓWNA WIALNIA	1	41930300	
19	ECCENTRIC SHAFT	NAPĘD MIMOŚRODOWY	1	41934900	
19	AWNER SHAFT	NAPĘD ŻUBROWNIKA	1	41966500	
20	STRIPPER BEATER	BĘBEN MŁÓCĄCY	1	41980000	X

X - not in standard offer / brak w standardowej ofercie



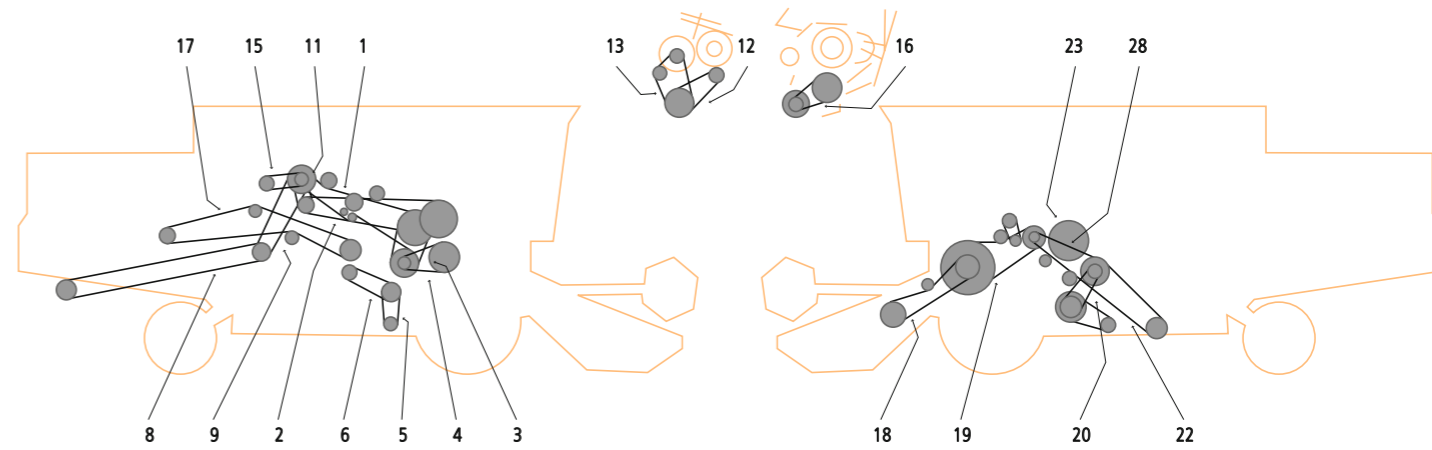
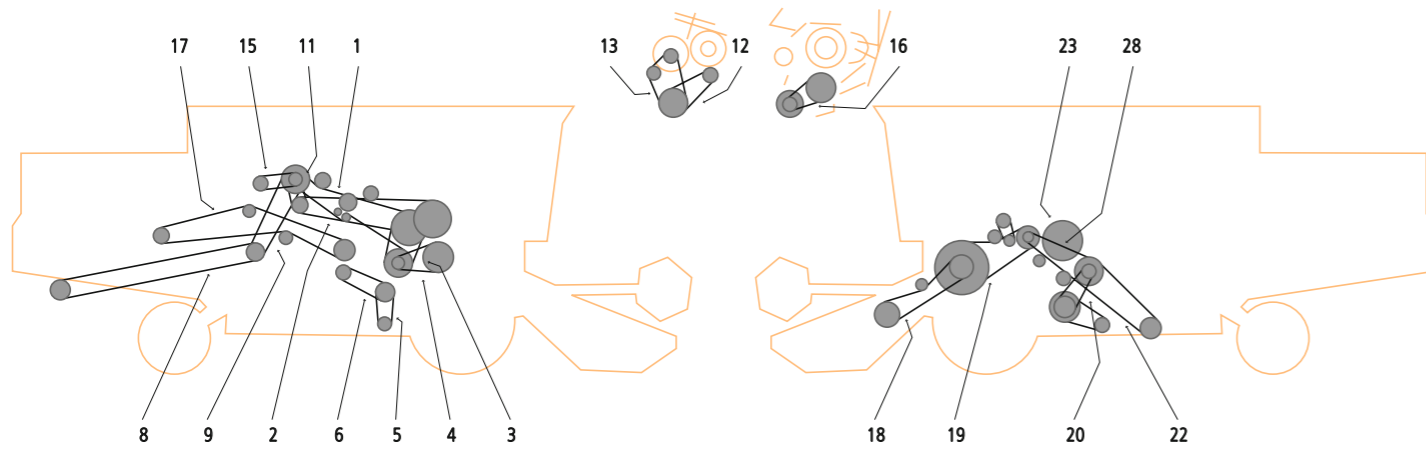
ITEM / POZYCJA	APPLICATION	OPIS	QUANTITY OF V-BELTS IN DRIVE / ILOŚĆ PASÓW W ZESPOLE	OE PART NUMBER / NUMER KATALOGOWY	COMMENT / UWAGI
1	STRIPPER BEATER	BĘBEN MŁÓCĄCY	1	41926400	
2	FILLING AUGER	NAPĘD ŚLIMAKA ZAŁADUNKU ZBOŻA	1	41935300	
3	STRIPPER BEATER	BĘBEN MŁÓCĄCY	1	41992200	
4	HYDRAULIC PUMP	POMPA HYDRAULICZNA	1	41924900	
5	PROPULSION PUMP	NAPĘD POMPY	1	41992100	
6	STRAW CHOPPER	NAPĘD ROZDRABNIACZA SŁOMY	1	41958500	
7	FEEDER DRUM	NAPĘD BĘBNA WCIĄGAJACEGO	1	41929500	
9	COUNTERSHAFT	NAPĘD POŚREDNI KOSZA CHŁODNICY	1	41992700	
10	UPPER FEEDER SHAFT	GÓRNY PRZENOŚNIK	1	41983900	
11	COUNTER DRIVE STRAW CHOPPER	NAPĘD POMOCNICZY	1	41955900	
12	ECCENTRIC SHAFT. STRAW SHAKER	NAPĘD MIMOŚRODOWY	1	41972800	
13	AWNER SHAFT. FAN SHAFT	NAPĘD ŻUBROWNIKA	1	41978500	X
14	INTERMEDIATE SHAFT	NAPĘD PRZENOŚNIKA POCHYLEGO	1	41926600	
15	GRAIN ELEVATOR	NAPĘD PRZENOŚNIKA ZBOŻOWEGO	1	41937600	
16	DISCHARGE AUGER	NAPĘD WYSYPU ZBIORNIKA	1	41984300	
17	MAIN FAN SELECTOR	GLÓWNA WIALNIA	1	41926300	
18	MAIN FAN	GLÓWNA WIALNIA	1	41930300	
19	ECCENTRIC SHAFT	NAPĘD MIMOŚRODOWY	1	41934900	
20	THRESHING DRUM	NAPĘD MŁOCARNI	1	41980300	X

X - not in standard offer / brak w standardowej ofercie

ITEM / POZYCJA	APPLICATION	OPIS	QUANTITY OF V-BELTS IN DRIVE / ILOŚĆ PASÓW W ZESPOLE	OE PART NUMBER / NUMER KATALOGOWY	COMMENT / UWAGI
1	STRIPPER BEATER	BĘBEN MŁÓCĄCY	1	41964300	
2	FILLING AUGER	NAPĘD ŚLIMAKA ZAŁADUNKU ZBOŻA	1	41972200	
2	FILLING AUGER	NAPĘD ŚLIMAKA ZAŁADUNKU ZBOŻA	1	41972300	
3	STRIPPER BEATER	BĘBEN MŁÓCĄCY	1	41992200	
4	HYDRAULIC PUMP	POMPA HYDRAULICZNA	1	41924900	
5	PROPULSION PUMP	NAPĘD POMPY	1	41992100	
6	STRAW CHOPPER	NAPĘD ROZDRABNIACZA SŁOMY	1	41958500	
7	FEEDER DRUM	NAPĘD BĘBNA WCIĄGAJACEGO	1	41929500	
9	COUNTER SHAFT	NAPĘD POŚREDNI KOSZA	1	41992700	
10	UPPER FEEDER SHAFT	GÓRNY PRZENOŚNIK	1	41983900	
11	COUNTER DRIVE. STRAW CHOPPER	NAPĘD POMOCNICZY	1	41955900	
12	ECCENTRIC SHAFT. STRAW SHAKER	NAPĘD MIMOŚRODOWY	1	41972800	
13	AWNER SHAFT. FAN SHAFT	NAPĘD ŻUBROWNIKA	1	41978500	X
14	INTERMEDIATE SHAFT	NAPĘD PRZENOŚNIKA POCHYLEGO	1	41926600	
15	GRAIN ELEVATOR	NAPĘD PRZENOŚNIKA ZBOŻOWEGO	1	41937600	
16	DISCHARGE AUGER	NAPĘD WYSYPU ZBIORNIKA	1	41984300	
17	MAIN FAN SELECTOR	GLÓWNA WIALNIA	1	41926300	
18	MAIN FAN	GLÓWNA WIALNIA	1	41930300	
19	ECCENTRIC SHAFT	NAPĘD MIMOŚRODOWY	1	41934900	
20	THRESHING DRUM	NAPĘD MŁOCARNI	1	41980300	X

X - not in standard offer / brak w standardowej ofercie





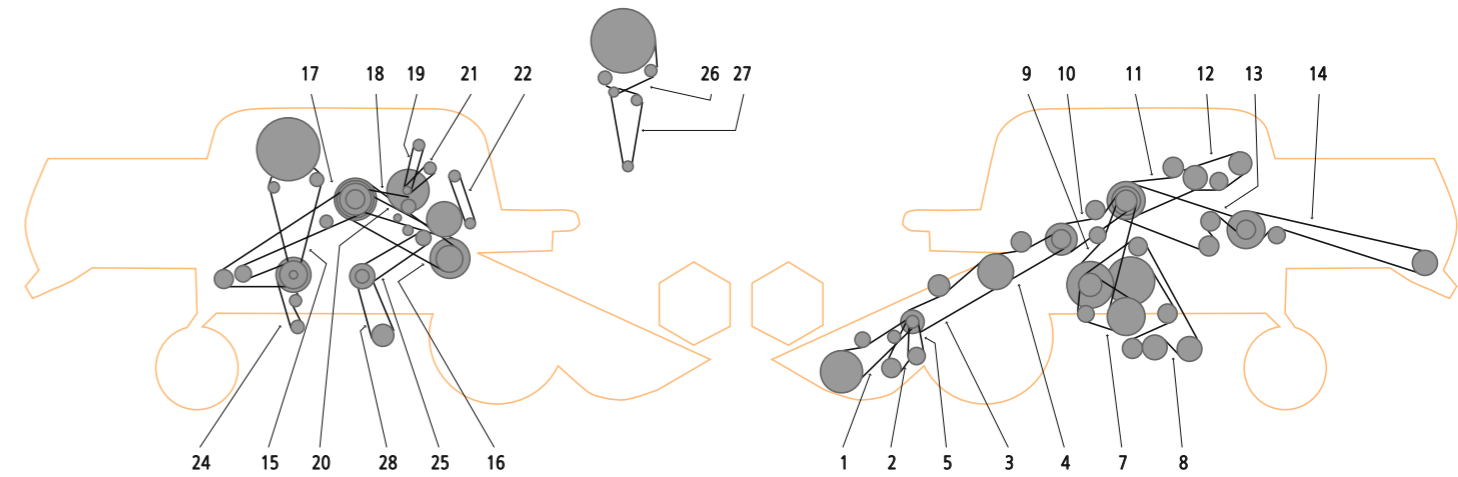
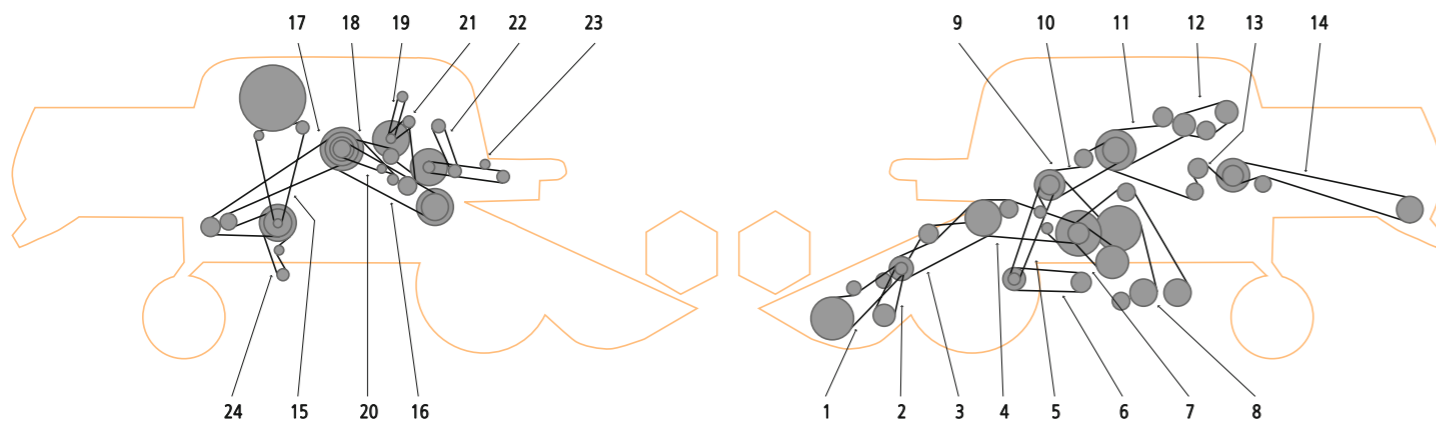
ITEM / POZYCJA	APPLICATION	OPIS	QUANTITY OF V-BELTS IN DRIVE / ILOŚĆ PASÓW W ZESPOLE	OE PART NUMBER / NUMER KATALOGOWY	COMMENT / UWAGI
1	STRIPPER BEATER	BĘBEN MŁÓCĄCY	1	41926400	
2	FILLING AUGER	NAPĘD ŚLIMAKA ZAŁADUNKU ZBOŻA	1	41935300	
3	STRIPPER BEATER	BĘBEN MŁÓCĄCY	1	41992200	
4	HYDRAULIC PUMP	POMPA HYDRAULICZNA	1	41924900	
5	PROPULSION PUMP	NAPĘD POMPY	1	41992100	
6	STRAW CHOPPER	NAPĘD ROZDRABNIACZA SŁOMY	1	41958500	
7	FEEDER DRUM	NAPĘD BĘBNA WCIĄGAJACEGO	1	41953700	
8	COUNTERSHAFT	NAPĘD POŚREDNI KOSZA CHŁODNICY	1	41964400	
9	COUNTERSHAFT	NAPĘD POŚREDNI KOSZA CHŁODNICY	1	41992400	
10	UPPER FEEDER SHAFT	GÓRNY PRZENOŚNIK	1	41983900	
11	COUNTER DRIVE. STRAW CHOPPER	NAPĘD POMOCNICZY	1	41955900	
12	ECCENTRIC SHAFT. STRAW SHAKER	NAPĘD MIMOŚRODOWY	1	41972800	
13	AWNER SHAFT. FAN SHAFT	NAPĘD ŻUBROWNIKA	1	41958500	
14	INTERMEDIATE SHAFT	NAPĘD PRZENOŚNIKA POCHYLEGO	1	41926600	
15	GRAIN ELEVATOR	NAPĘD PRZENOŚNIKA ZBOŻOWEGO	1	41937600	
16	DISCHARGE AUGER	NAPĘD WYSYPY ZBIORNIKA	1	41984300	
17	MAIN FAN SELECTOR	GLÓWNA WIALNIA	1	41926300	
17	MAIN FAN SELECTOR	GLÓWNA WIALNIA	1	41928800	
18	MAIN FAN	GLÓWNA WIALNIA	1	41928800	
18	MAIN FAN	GLÓWNA WIALNIA	1	41930300	
19	ECCENTRIC SHAFT	NAPĘD MIMOŚRODOWY	1	41934900	
19	ECCENTRIC SHAFT	NAPĘD MIMOŚRODOWY	1	41966500	
20	THRESHING DRUM	NAPĘD MŁOCARNI	1	41980200	

X - not in standard offer / brak w standardowej ofercie

ITEM / POZYCJA	APPLICATION	OPIS	QUANTITY OF V-BELTS IN DRIVE / ILOŚĆ PASÓW W ZESPOLE	OE PART NUMBER / NUMER KATALOGOWY	COMMENT / UWAGI
1	UPPER RETURN AUGER	NAPĘD GÓRNEGO ŚLIMAKA PRZENOŚNIKA	1	41964300	
2	FILLING AUGER	NAPĘD ŚLIMAKA ZAŁADUNKU ZBOŻA	1	41972100	
3	STRIPPER BEATER	BĘBEN MŁÓCĄCY	1	41991600	
4	HYDRAULIC PUMP	POMPA HYDRAULICZNA	1	41991400	
5	STRAW CHOPPER	NAPĘD ROZDRABNIACZA SŁOMY	1	41958500	
6	FEEDER DRUM	NAPĘD BĘBNA WCIĄGAJACEGO	1	41929500	
7	COUNTERSHAFT	NAPĘD POŚREDNI KOSZA CHŁODNICY	1	41989100	
8	UPPER FEEDER SHAFT	GÓRNY PRZENOŚNIK	1	41988900	
9	COUNTER DRIVE. STRAW CHOPPER	NAPĘD POMOCNICZY	1	41955900	
10	STRAW SHAKER. ECCENTRIC SHAFT	NAPĘD ZESPOŁU WYTRZĄSACZY	1	41972800	
13	FAN SHAFT. AWNER SHAFT	NAPĘD WAŁKA POŚREDNIEGO DMUCHAWY	1	41978500	X
14	INTERMEDIATE SHAFT	NAPĘD PRZENOŚNIKA POCHYLEGO	1	41912300	
15	INTERMEDIATE SHAFT	NAPĘD PRZENOŚNIKA POCHYLEGO	1	41927800	
16	GRAIN ELEVATOR	NAPĘD PRZENOŚNIKA ZBOŻOWEGO	1	41935700	
17	DISCHARGE AUGER	NAPĘD WYSYPY ZBIORNIKA	1	41988700	
18	MAIN FAN SELECTOR	GLÓWNA WIALNIA	1	41926300	
19	MAIN FAN	GLÓWNA WIALNIA	1	41930300	
20	ECCENTRIC SHAFT	NAPĘD MIMOŚRODOWY	1	41935500	
21	THRESHING DRUM	NAPĘD MŁOCARNI	1	41980800	

X - not in standard offer / brak w standardowej ofercie



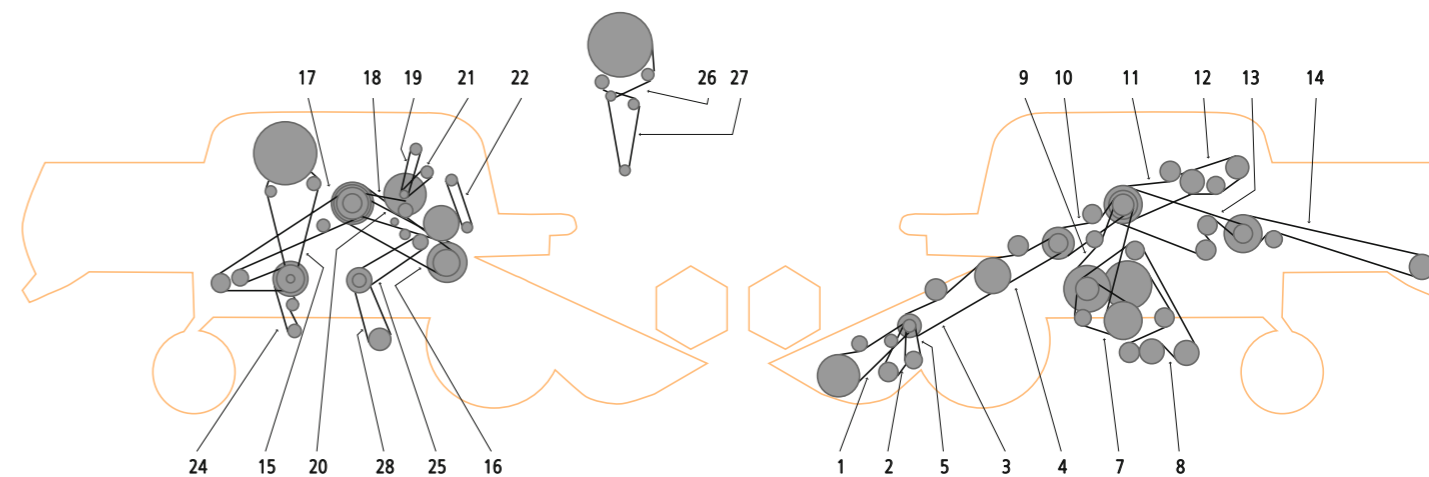
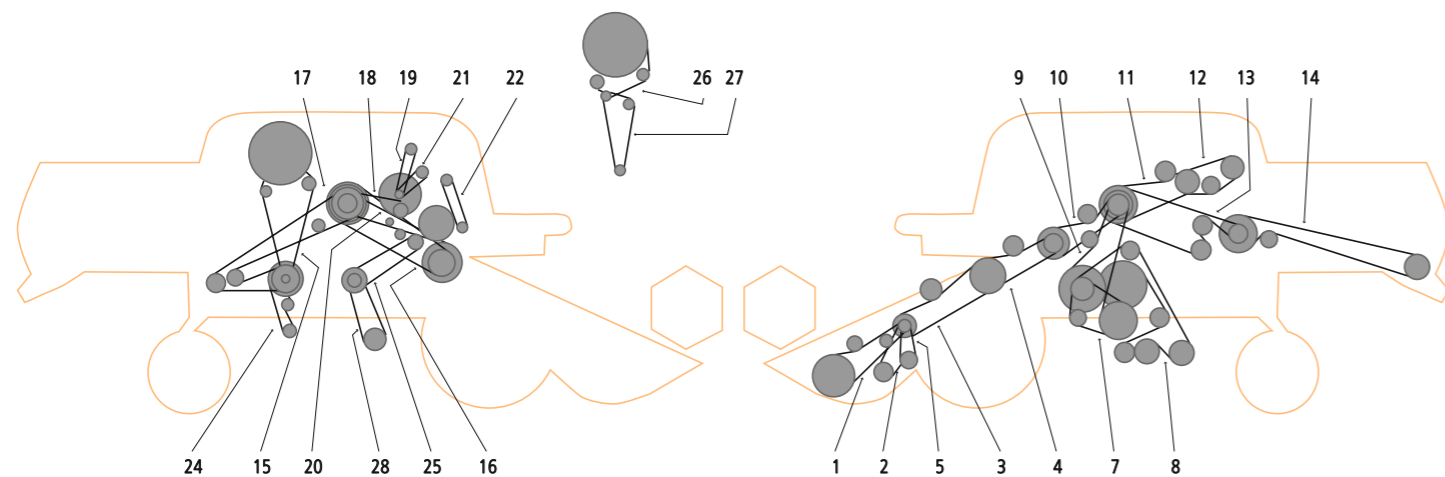


ITEM / POZYCJA	APPLICATION	OPIS	QUANTITY OF V-BELTS IN DRIVE / ILOŚĆ PASÓW W ZESPOLE	OE PART NUMBER / NUMER KATALOGOWY	COMMENT / UWAGI
1	AUGER DRIVE	NAPĘD ŚLIMAKA HEDERA	1	41983500	
2	KNIFE DRIVE	NAPĘD KOSY	1	41964300	
3	ELEVATOR DRIVE	NAPĘD PRZENOŚNIKA	1	41993000	
4	BEATER TO STRAW ELEVATOR	NAPĘD POŚREDNI PRZENOŚNIKA POCHYLEGO	1	41993100	
5	CLEANING FAN DRIVE	NAPĘD WIALNI CZYSZCZĄCEJ	1	41950600	
6	CLEANING FAN DRIVE	NAPĘD WIALNI CZYSZCZĄCEJ	1	41950900	
7	STRAW WALKER DRIVE	NAPĘD ZESPOŁU KOSZA SITOWEGO, WYTRZĄSACZY	1	41982400	
8	STRAW WALKER DRIVE	NAPĘD WYTRZĄSACZY	1	41990100	
9	INTERMEDIATE DRIVE SHAFT	NAPĘD WAŁKA POŚREDNIEGO	1	41987200	
10	TURNING DRUM DRIVE	NAPĘD ODRZUTNIKA SŁOMY	1	41935200	
11	MAIN DRIVE	NAPĘD GŁÓWNY	1	41993400	
12	HYDRAULIC PUMP DRIVE	NAPĘD POMPY HYDRAULICZNEJ	1	41928900	
12	HYDRAULIC PUMP DRIVE	NAPĘD POMPY HYDRAULICZNEJ	1	41929000	
12	HYDRAULIC PUMP DRIVE	NAPĘD POMPY HYDRAULICZNEJ	1	41929200	
12	HYDRAULIC PUMP DRIVE	NAPĘD POMPY HYDRAULICZNEJ	1	41930200	
13	STRAW CHOPPER DRIVE	NAPĘD ZESPOŁU ROZDRABNIACZA SŁOMY	1	41942100	
14	STRAW CHOPPER DRIVE	NAPĘD ROZDRABNIACZA SŁOMY	1	41987300	
15	INTERMEDIATE DRIVE SHAFT	NAPĘD WAŁKA POŚREDNIEGO	1	41912400	
16	THRESHING MACHINE	NAPĘD ZESPOŁU MŁOCARNI	1	41980400	
16	THRESHING MACHINE	NAPĘD ZESPOŁU MŁOCARNI	1	41999200	
17	SHAKER SHOE DRIVE	NAPĘD ZESPOŁU WIALNI CZYSZCZĄCEJ	1	41990200	
18	TANK UNLOADING	NAPĘD ZESPOŁU WYŁADUNKU	1	41935900	
18	TANK UNLOADING	NAPĘD ZESPOŁU WYŁADUNKU	2	41936200	
20	TURNING DRUM DRIVE	NAPĘD ODRZUTNIKA SŁOMY	1	41982400	
24	MAIN SHAFT DRIVE	NAPĘD MŁOCARNI	1	41929100	
25	CLEANING FAN DRIVE	NAPĘD GŁÓWNY WIALNI CZYSZCZĄCEJ	1	41982200	
26	RADIATOR FAN	NAPĘD WENTYLATORA CHŁODNICY	1	41905300	
27	RADIATOR FAN	NAPĘD WENTYLATORA CHŁODNICY	1	41911000	

X - not in standard offer / brak w standardowej ofercie

ITEM / POZYCJA	APPLICATION	OPIS	QUANTITY OF V-BELTS IN DRIVE / ILOŚĆ PASÓW W ZESPOLE	OE PART NUMBER / NUMER KATALOGOWY	COMMENT / UWAGI
1	FEEDER DRUM	NAPĘD BĘBNA WCIĄGAJACEGO	1	41983500	
1	FEEDER DRUM	NAPĘD BĘBNA WCIĄGAJACEGO	1	41983500	
1	FEEDER DRUM	NAPĘD BĘBNA WCIĄGAJACEGO	1	41983600	
2	CRANKSHAFT	NAPĘD NOŻY	1	41963900	
2	CRANKSHAFT	NAPĘD NOŻY	1	41964300	
3	COUNTERSHAFT	NAPĘD POŚREDNI KOSZA CHŁODNICY	1	41989200	
3	COUNTERSHAFT	NAPĘD POŚREDNI KOSZA CHŁODNICY	1	41989400	
4	UPPER FEEDER SHAFT	GÓRNY PRZENOŚNIK	1	41991700	
7	ECCENTRIC SHAFT	NAPĘD MIMOŚRODOWY	1	41982400	
7	ECCENTRIC SHAFT	NAPĘD MIMOŚRODOWY	1	41982500	
8	STRAW SHAKER CRANK GRAIN AUGER	NAPĘD ZESPOŁU WYTRZĄSACZY	1	41990100	
8	STRAW SHAKER CRANK GRAIN AUGER	NAPĘD ZESPOŁU WYTRZĄSACZY	1	41990200	
8	STRAW SHAKER CRANK	NAPĘD ZESPOŁU WYTRZĄSACZY	1	41990300	X
8	STRAW SHAKER CRANK	NAPĘD ZESPOŁU WYTRZĄSACZY	1	41990400	
9	INTERMEDIATE SHAFT	NAPĘD PRZENOŚNIKA POCHYLEGO	1	41987800	
9	INTERMEDIATE SHAFT	NAPĘD PRZENOŚNIKA POCHYLEGO	1	41988000	
10	STRIPPER BEATER	BĘBEN MŁOCĄCY	3	41934800	
11	COUNTER SELECTOR	NAPĘD POMOCNICZY	1	41993400	
12	HYDRAULIC PUMP	POMPA HYDRAULICZNA	1	41929000	
12	HYDRAULIC PUMP	POMPA HYDRAULICZNA	1	41930200	
13	COUNTER DRIVE STRAW	NAPĘD POMOCNICZY	1	41942100	
14	STRAW CHOPPER	NAPĘD ROZDRABNIACZA SŁOMY	1	41987300	
15	AWNER SHAFT	NAPĘD ŻUBROWNIKA	1	41912300	
15	AWNER SHAFT	NAPĘD ŻUBROWNIKA	1	41912400	
16	THRESHING DRUM	NAPĘD MŁOCARNI	1	41980400	
17	FAN SHAFT AWNER SHAFT	NAPĘD WAŁKA POŚREDNIEGO DMUCHAWY	1	41990200	
17	FAN SHAFT AWNER SHAFT	NAPĘD WAŁKA POŚREDNIEGO DMUCHAWY	1	41990400	
18	DISCHARGE AUGER	NAPĘD WYSYPU ZBIORNIKA	2	41936200	
20	STRIPPER BEATER	BĘBEN MŁOCĄCY	1	41982500	
24	SEED GRINDER	ROZDRABNIANIE ZIARNA	1	41929100	
25	MAIN FAN SELECTOR	GŁÓWNA WIALNIA	1	41987900	
26	COUNTER DRIVE RADIATOR	NAPĘD POMOCNICZY	1	41905300	
27	COUNTER DRIVE RADIATOR	NAPĘD POMOCNICZY	1	41911000	
28	MAIN FAN	GŁÓWNA WIALNIA	1	41982100	
28	MAIN FAN	GŁÓWNA WIALNIA	1	41982200	
28	MAIN FAN	GŁÓWNA WIALNIA	1	41987900	

X - not in standard offer / brak w standardowej ofercie

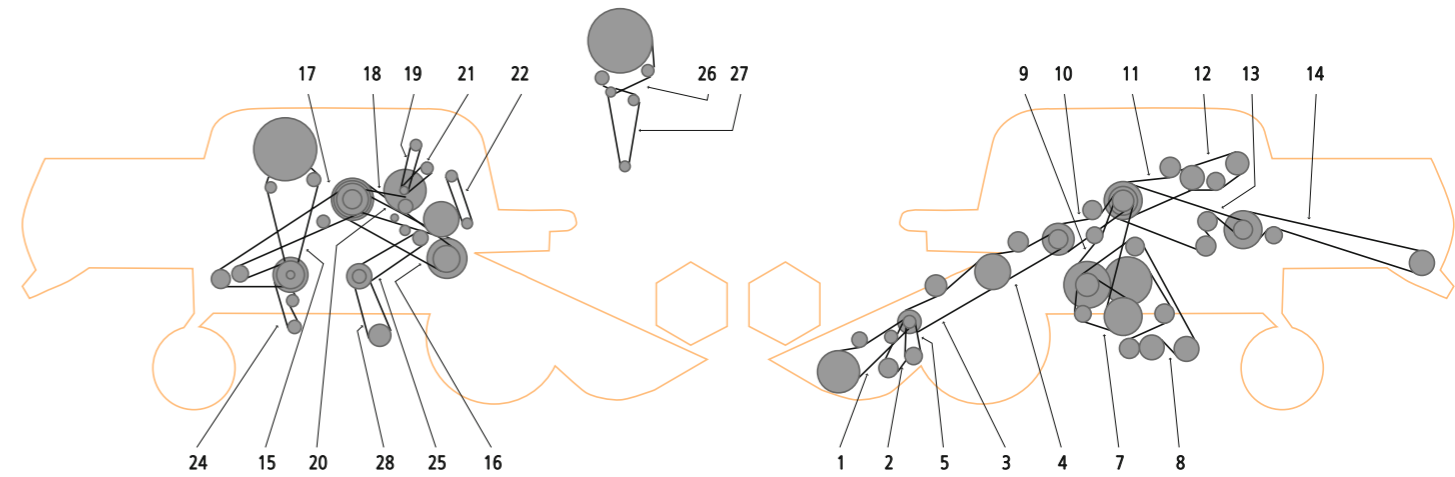
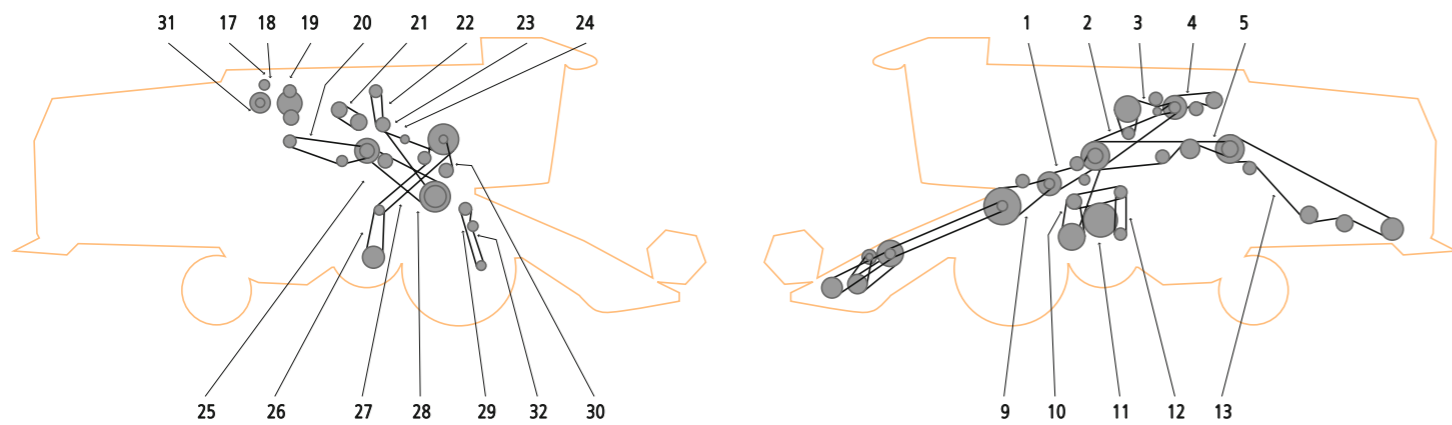


ITEM / POZYCJA	APPLICATION	OPIS	QUANTITY OF V-BELTS IN DRIVE / ILOŚĆ PASÓW W ZESPOLE	OE PART NUMBER / NUMER KATALOGOWY	COMMENT / UWAGI
1	FEEDER DRUM	NAPĘD BĘBNA WCIĄGAJĄCEGO	1	41983500	
1	FEEDER DRUM	NAPĘD BĘBNA WCIĄGAJĄCEGO	1	41983500	
1	FEEDER DRUM	NAPĘD BĘBNA WCIĄGAJĄCEGO	1	41983600	
2	CRANKSHAFT	NAPĘD NOŻY	1	41963900	
2	CRANKSHAFT	NAPĘD NOŻY	1	41964300	
3	COUNTERSHAFT	NAPĘD POŚREDNI KOSZA CHŁODNICY	1	41989200	
3	COUNTERSHAFT	NAPĘD POŚREDNI KOSZA CHŁODNICY	1	41989400	
4	UPPER FEEDER SHAFT	GÓRNY PRZENOŚNIK	1	41991700	
7	ECCENTRIC SHAFT	NAPĘD MIMOŚRODOWY	1	41982400	
7	ECCENTRIC SHAFT	NAPĘD MIMOŚRODOWY	1	41982500	
8	STRAW SHAKER CRANK GRAIN AUGER	NAPĘD ZESPOŁU WYTRZĄSACZY	1	41990100	
8	STRAW SHAKER CRANK GRAIN AUGER	NAPĘD ZESPOŁU WYTRZĄSACZY	1	41990200	
8	GRAIN AUGER - LOWER RETURN AUGER	NAPĘD PRZENOŚNIKA ŚLIMAKOWEGO	1	41990300	X
8	STRAW SHAKER CRANK GRAIN AUGER	NAPĘD ZESPOŁU WYTRZĄSACZY	1	41990400	
9	INTERMEDIATE SHAFT	NAPĘD PRZENOŚNIKA POCHYLEGO	1	41987800	
9	INTERMEDIATE SHAFT	NAPĘD PRZENOŚNIKA POCHYLEGO	1	41988000	
10	STRIPPER BEATER	BĘBEN MŁÓCĄCY	3	41934800	
11	COUNTERSHAFT	NAPĘD POŚREDNI KOSZA CHŁODNICY	1	41993400	
12	ENGINE - HYDRAULIC PUMP	SILNIK - POMPA HYDRAULICZNA	1	41929000	
12	HYDRAULIC PUMP	POMPA HYDRAULICZNA	1	41930200	
13	COUNTER DRIVE STRAW	NAPĘD POMOCNICZY	1	41942100	
14	STRAW CHOPPER	NAPĘD ROZDRABNIACZA SŁOMY	1	41987300	
15	AWNER SHAFT	NAPĘD ŻUBROWNIKA	1	41912300	
15	AWNER SHAFT	NAPĘD ŻUBROWNIKA	1	41912400	
16	THRESHING DRUM	NAPĘD MŁOCARNI	1	41980900	
17	FAN SHAFT AWNER SHAFT	NAPĘD WAŁKA POŚREDNIEGO DMUCHAWY	1	41990200	
17	FAN SHAFT AWNER SHAFT	NAPĘD WAŁKA POŚREDNIEGO DMUCHAWY	1	41990400	
18	DISCHARGE AUGER	NAPĘD WYSYPU ZBIORNIKA	2	41936200	
20	STRIPPER BEATER	BĘBEN MŁÓCĄCY	1	41982500	
24	SEED GRINDER	ROZDRABNIANIE ZIARNA	1	41929100	
25	MAIN FAN SELECTOR	GLÓWNA WIALNIA	1	41987900	
26	COUNTER DRIVE RADIATOR	NAPĘD POMOCNICZY	1	41905300	
27	COUNTER DRIVE RADIATOR	NAPĘD POMOCNICZY	1	41911000	
28	MAIN FAN SELECTOR - MAIN FAN	GLÓWNA WIALNIA	1	41982100	
28	MAIN FAN	GLÓWNA WIALNIA	1	41982200	
28	MAIN FAN	GLÓWNA WIALNIA	1	41987900	

X - not in standard offer / brak w standardowej ofercie

ITEM / POZYCJA	APPLICATION	OPIS	QUANTITY OF V-BELTS IN DRIVE / ILOŚĆ PASÓW W ZESPOLE	OE PART NUMBER / NUMER KATALOGOWY	COMMENT / UWAGI
1	FEEDER DRUM	NAPĘD BĘBNA WCIĄGAJĄCEGO	1	41983500	
1	FEEDER DRUM	NAPĘD BĘBNA WCIĄGAJĄCEGO	1	41983500	
1	FEEDER DRUM	NAPĘD BĘBNA WCIĄGAJĄCEGO	1	41983600	
2	CRANKSHAFT	NAPĘD NOŻY	1	41964100	
2	CRANKSHAFT	NAPĘD NOŻY	1	41964300	
2	CRANKSHAFT	NAPĘD NOŻY	1	41964300	
3	COUNTERSHAFT	NAPĘD POŚREDNI KOSZA CHŁODNICY	1	41993000	
4	UPPER FEEDER SHAFT	GÓRNY PRZENOŚNIK	1	41993100	
5			1	41950600	
6			1	41950900	
7	ECCENTRIC SHAFT	NAPĘD MIMOŚRODOWY	1	41982400	
8	STRAW SHAKER CRANK GRAIN AUGER	NAPĘD ZESPOŁU WYTRZĄSACZY	1	41990100	
9	INTERMEDIATE SHAFT	NAPĘD PRZENOŚNIKA POCHYLEGO	1	41987200	
10	STRIPPER BEATER	BĘBEN MŁÓCĄCY	1	41935200	
11	COUNTER SELECTOR	NAPĘD POMOCNICZY	1	41993400	
12	HYDRAULIC PUMP	POMPA HYDRAULICZNA	1	41929000	
12	HYDRAULIC PUMP	POMPA HYDRAULICZNA	1	41930200	
12	HYDRAULIC PUMP	POMPA HYDRAULICZNA	1	41930300	
13	COUNTERDRIVE STRAW	NAPĘD POMOCNICZY	1	41942100	
14	STRAW CHOPPER	NAPĘD ROZDRABNIACZA SŁOMY	1	41987600	
15	AWNER SHAFT	NAPĘD ŻUBROWNIKA	1	41912400	
16	THRESHING DRUM	NAPĘD MŁOCARNI	1	41980400	
16	THRESHING DRUM	NAPĘD MŁOCARNI	1	41999200	
17	FAN SHAFT AWNER SHAFT	NAPĘD WAŁKA POŚREDNIEGO DMUCHAWY	1	41990200	
18	DISCHARGE AUGER	NAPĘD WYSYPU ZBIORNIKA	1	41935900	
18	DISCHARGE AUGER	NAPĘD WYSYPU ZBIORNIKA	2	41936200	
20	STRIPPER BEATER	BĘBEN MŁÓCĄCY	1	41982400	
24	SEED GRINDER	ROZDRABNIANIE ZIARNA	1	41929100	
25	MAIN FAN SELECTOR	GLÓWNA WIALNIA	1	41982200	
26	COUNTERDRIVE RADIATOR	NAPĘD POMOCNICZY	1	41905300	
27	COUNTERDRIVE RADIATOR	NAPĘD POMOCNICZY	1	41911000	

X - not in standard offer / brak w standardowej ofercie

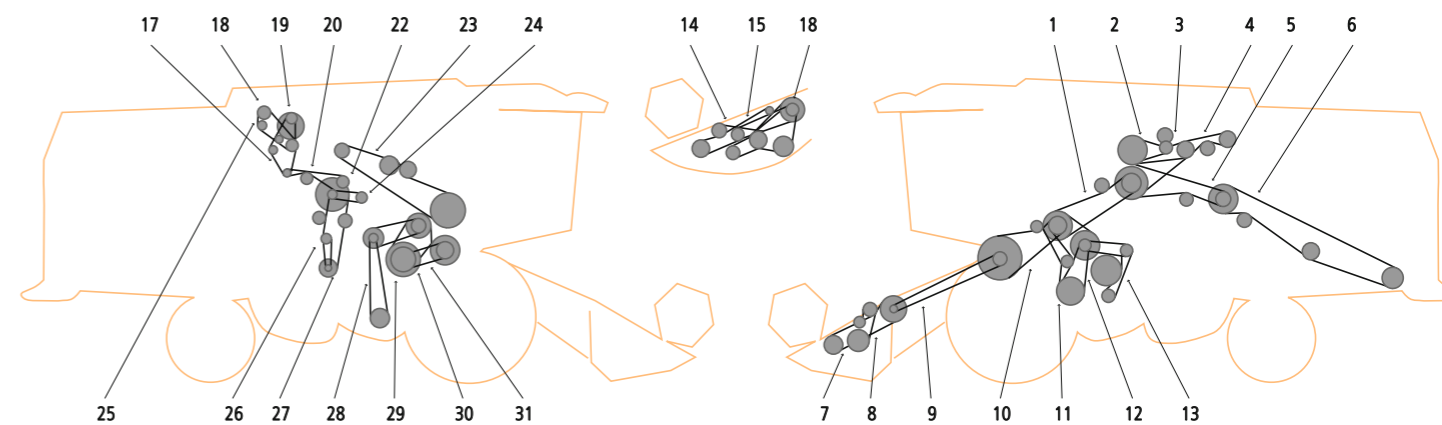
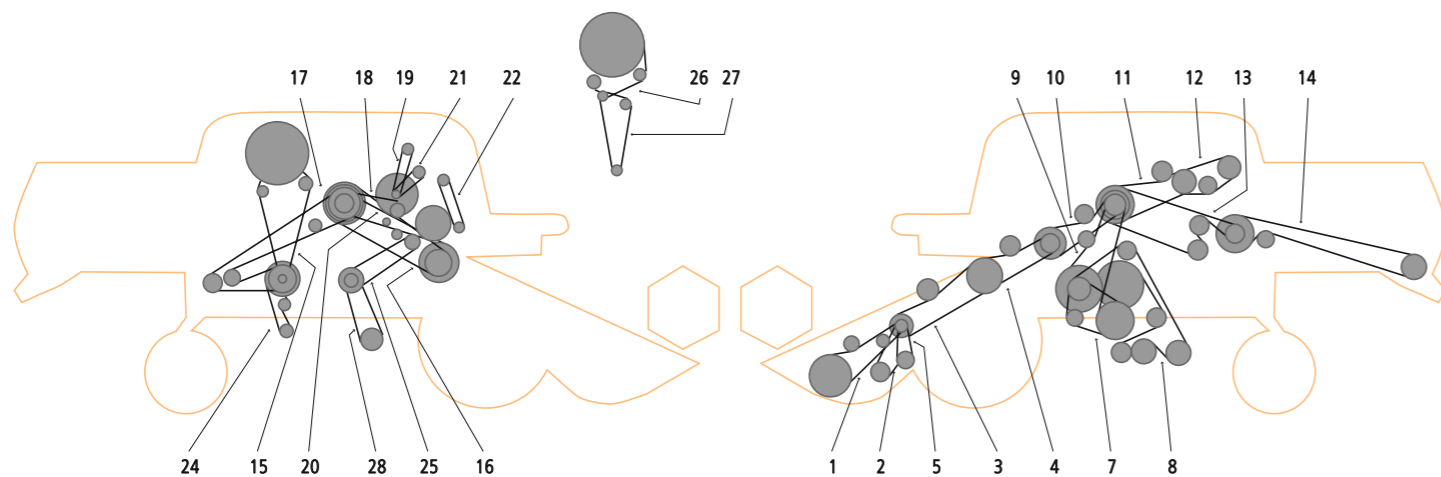


ITEM / POZYCJA	APPLICATION	OPIS	QUANTITY OF V-BELTS IN DRIVE / ILOŚĆ PASÓW W ZESPOLE	OE PART NUMBER / NUMER KATALOGOWY	COMMENT / UWAGI
1	STRIPPER BEATER	BĘBEN MŁÓCĄCY	3	41934800	
2	COUNTERSHAFT	NAPĘD POŚREDNI KOSZA CHŁODNICY	1	41990051	
3	DISCHARGE AUGER SHAFT	NAPĘD WYSYPU ZBIORNIKA	1	41990050	
4	DIESEL ENGINE		3	41934000	
5	INTERMEDIATE DRIVE F. STRAW CHOPPER	NAPĘD POŚREDNI ROZDRABNIACZA SŁOMY	1	41942200	
6	KNIFE DRIVE	NAPĘD KOSY	1	41985600	
9	UPPER FEEDER SHAFT	GÓRNY PRZENOŚNIK	1	41991700	
10	ECCENTRIC SHAFT	NAPĘD MIMOŚRODOWY	1	41982100	
11	INTERMEDIATE SHAFT	NAPĘD PRZENOŚNIKA POCHYLEGO	1	41984100	
12	STRAW SHAKER CRANK	NAPĘD ZESPOŁU WYTRZĄSACZY	1	41990068	
13	STRAW CHOPPER	NAPĘD ROZDRABNIACZA SŁOMY	1	41978400	
17	AIR CONDITIONING	NAPĘD KLIMATYZACJI	1	41909000	X
17	AIR CONDITIONING	NAPĘD KLIMATYZACJI	1	41991000	
18	SUCTION STRAINER - AIR CONDITIONING	FILTR - KLIMATYZACJA	1	41991200	
19	SUCTION STRAINER	FILTR	1	41990009	
20	DUST EXTRACTOR	ODDZIELACZ PYŁU	1	41936700	
21	DISCHARGE AUGER SHAFT	NAPĘD WYSYPU ZBIORNIKA	1	41979600	
23	INTERMEDIATE DRIVE F. FILL ELEVATOR	WYSYP ZBOŻA	1	41950100	
25	COUNTERSHAFT - GRAIN SEPARATOR	WAŁEK POŚREDNI - ODDZIELACZ	1	41982100	
26	MAIN FAN	GLÓWNA WIALNIA	1	41982100	
27	MAIN FAN VARIATOR	GLÓWNA WIALNIA	1	41987900	
28	THRESHING DRUM	NAPĘD MŁOCARNI	1	41980900	
29	DISCHARGE AUGER	NAPĘD WYSYPU ZBIORNIKA	1	41950400	
31	SUCTION STRAINER - AIR CONDITIONING	FILTR - KLIMATYZACJA	1	41990008	

X - not in standard offer / brak w standardowej ofercie

ITEM / POZYCJA	APPLICATION	OPIS	QUANTITY OF V-BELTS IN DRIVE / ILOŚĆ PASÓW W ZESPOLE	OE PART NUMBER / NUMER KATALOGOWY	COMMENT / UWAGI
1	FEEDER DRUM	NAPĘD BĘBNA WCIĄGAJACEGO	1	41983500	
1	FEEDER DRUM	NAPĘD BĘBNA WCIĄGAJACEGO	1	41983600	
2	CRANKSHAFT	NAPĘD NOŻY	1	41963900	
2	CRANKSHAFT	NAPĘD NOŻY	1	41964300	
3	COUNTERSHAFT	NAPĘD POŚREDNI KOSZA CHŁODNICY	1	41989200	
3	COUNTERSHAFT	NAPĘD POŚREDNI KOSZA CHŁODNICY	1	41989400	
4	UPPER FEEDER SHAFT	GÓRNY PRZENOŚNIK	1	41991700	
7	ECCENTRIC SHAFT	NAPĘD MIMOŚRODOWY	1	41982400	
7	ECCENTRIC SHAFT	NAPĘD MIMOŚRODOWY	1	41982500	
8	STRAW SHAKER CRANK	NAPĘD ZESPOŁU WYTRZĄSACZY	1	41990069	
8	STRAW SHAKER CRANK GRAIN AUGER	NAPĘD ZESPOŁU WYTRZĄSACZY	1	41990100	
8	STRAW SHAKER CRANK	NAPĘD ZESPOŁU WYTRZĄSACZY	1	41990300	X
8	STRAW SHAKER CRANK	NAPĘD ZESPOŁU WYTRZĄSACZY	1	41990400	
9	INTERMEDIATE SHAFT	NAPĘD PRZENOŚNIKA POCHYLEGO	1	41987800	
9	INTERMEDIATE SHAFT	NAPĘD PRZENOŚNIKA POCHYLEGO	1	41988000	
10	STRIPPER BEATER	BĘBEN MŁÓCĄCY	3	41934800	
11	COUNTER SELECTOR	NAPĘD POMOCNICZY	1	41991300	
11	COUNTER SELECTOR	NAPĘD POMOCNICZY	1	41993400	
12	HYDRAULIC PUMP	POMPA HYDRAULICZNA	1	41930200	
13	COUNTER DRIVE STRAW	NAPĘD POMOCNICZY	1	41942100	
14	STRAW CHOPPER	NAPĘD ROZDRABNIACZA SŁOMY	1	41987300	
15	AWNER SHAFT	NAPĘD ŻUBROWNIKA	1	41912300	
15	AWNER SHAFT	NAPĘD ŻUBROWNIKA	1	41912400	
16	THRESHING DRUM	NAPĘD MŁOCARNI	1	41980400	
17	FAN SHAFT AWNER SHAFT	NAPĘD WAŁKA POŚREDNIEGO DMUCHAWY	1	41990069	
17	FAN SHAFT AWNER SHAFT	NAPĘD WAŁKA POŚREDNIEGO DMUCHAWY	1	41990200	
18	DISCHARGE AUGER	NAPĘD WYSYPU ZBIORNIKA	2	41936200	
20	STRIPPER BEATER	BĘBEN MŁÓCĄCY	1	41982400	
24	SEED GRINDER	ROZDRABNIANIE ZIARNA	1	41929100	
25	MAIN FAN SELECTOR	GLÓWNA WIALNIA	1	41987900	
26	COUNTER DRIVE RADIATOR	NAPĘD POMOCNICZY	1	41905300	
27	COUNTER DRIVE RADIATOR	NAPĘD POMOCNICZY	1	41911000	
28	MAIN FAN SELECTOR - MAIN FAN	GLÓWNA WIALNIA	1	41982100	
28	MAIN FAN SELECTOR - MAIN FAN	GLÓWNA WIALNIA	1	41982200	
28	MAIN FAN SELECTOR - MAIN FAN	GLÓWNA WIALNIA	1	41987900	

X - not in standard offer / brak w standardowej ofercie



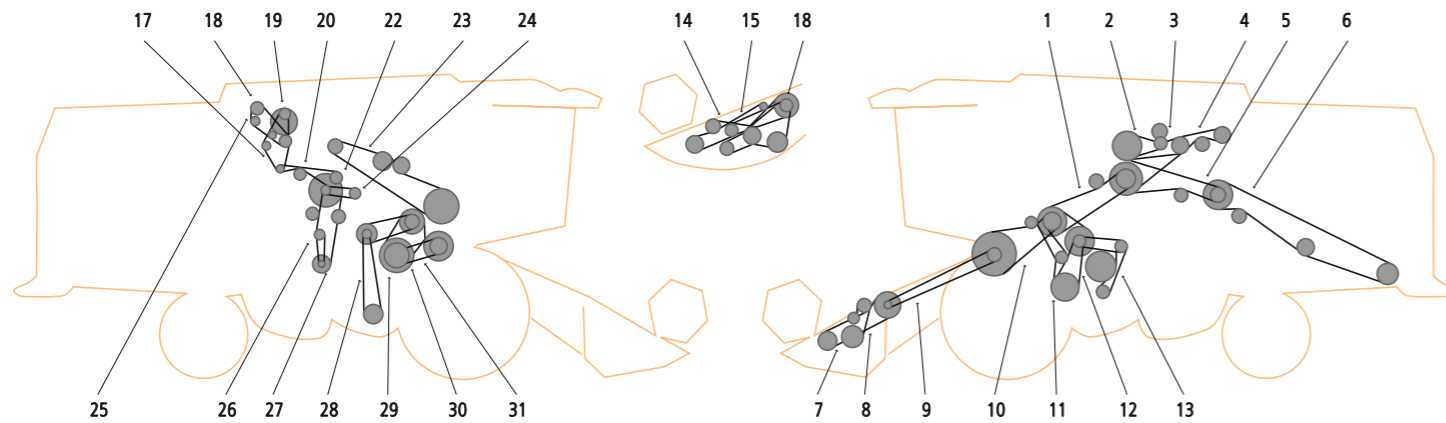
ITEM / POZYCJA	APPLICATION	OPIS	QUANTITY OF V-BELTS IN DRIVE / ILOŚĆ PASÓW W ZESPOLE	OE PART NUMBER / NUMER KATALOGOWY	COMMENT / UWAGI
1			2	41933700	
2			1	41979400	
3			1	41979100	
4			1	41934600	
5			1	41979600	
6			1	41978900	
7			1	41983500	
7			1	41983600	
8			1	41963900	
11			1	41979800	
12			1	41990001	
13			2	41933700	
14			1	41979000	
17			1	41911000	
18			1	41991200	
19			1	41986100	
20			1	41998800	
22			2	41937500	
23			1	41978800	
27			1	41981200	
28			1	41981100	
29			1	41981000	X
30			1	41985200	
31			1	41985300	

X - not in standard offer / brak w standardowej ofercie

ITEM / POZYCJA	APPLICATION	OPIS	QUANTITY OF V-BELTS IN DRIVE / ILOŚĆ PASÓW W ZESPOLE	OE PART NUMBER / NUMER KATALOGOWY	COMMENT / UWAGI
1	COUNTERSHAFT	NAPĘD POŚREDNI KOSZA CHŁODNICY	1	41979900	
2	DISCHARGE AUGER SHAFT	NAPĘD WYSYPU ZBIORNIKA	1	41979400	
3	DIESEL ENGINE		1	41979100	
4	TRACTION PUMP	POMPA	1	41934200	
5	INTERMEDIATE DRIVE F. STRAW CHOPPER	NAPĘD POŚREDNI ROZDRABNIACZA SŁOMY	1	41979600	
6	STRAW CHOPPER	NAPĘD ROZDRABNIACZA SŁOMY	1	41978900	
7	KNIFE DRIVE	NAPĘD KOSY	1	41985600	
7	KNIFE DRIVE	NAPĘD KOSY	1	41986200	
10	UPPER FEEDER SHAFT	GÓRNY PRZENOŚNIK	1	41979800	
11	STRIPPER BEATER	BĘBEN MŁÓCĄCY	1	41990001	
12	ECCENTRIC SHAFT - INTERMEDIATE SHAFT	NAPĘD MIMOŚRODOWY	2	41933700	
13	STRAW SHAKER CRANK	NAPĘD ZESPOŁU WYTRZĄSĄCZY	1	41979000	
14	KNIFE DRIVE	NAPĘD KOSY	1	41986300	
17	DIESEL ENGINE		1	41911000	
18	COMPRESSOR	NAPĘD KOMPRESORA	1	41991200	
19	INTERMEDIATE DRIVE F. FILL ELEVATOR	NAPĘD ZAŁADUNKU	1	41986100	
20	DUST EXTRACTOR - COUNTERSHAFT	ODPYLACZ - WAŁEK POŚREDNI	1	41998800	
22	COUNTERSHAFT	NAPĘD POŚREDNI KOSZA CHŁODNICY	2	41937500	
23	DISCHARGE AUGER SHAFT	NAPĘD WYSYPU ZBIORNIKA	1	41978800	
23	DISCHARGE AUGER SHAFT	NAPĘD WYSYPU ZBIORNIKA	1	41979200	
25	AIR CONDITIONING - COMPRESSOR	KLIMATYZACJA - KOMPRESOR	1	41909000	X
27	MAIN FAN RADIATOR	GŁÓWNA WIALNIA	1	41981200	
28	MAIN FAN	GŁÓWNA WIALNIA	1	41981100	
29	INTERMEDIATE DRIVE. VARIATOR	NAPĘD POŚREDNI	1	41981000	X
30	INTERMEDIATE DRIVE. VARIATOR	NAPĘD POŚREDNI	1	41985200	
31	THRESHING DRUM	NAPĘD MŁOCARNI	1	41985300	

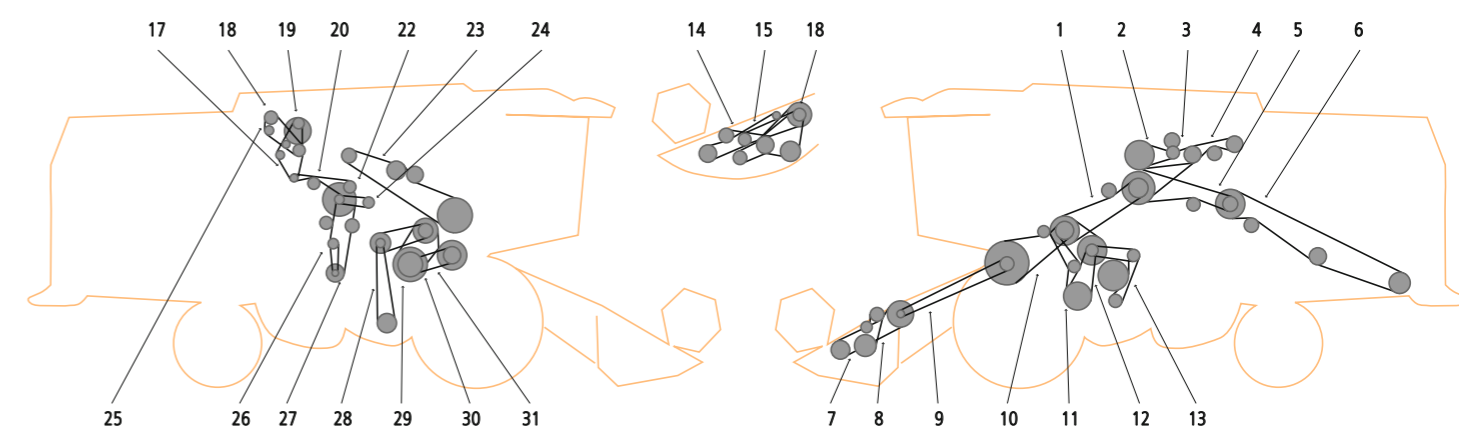
X - not in standard offer / brak w standardowej ofercie





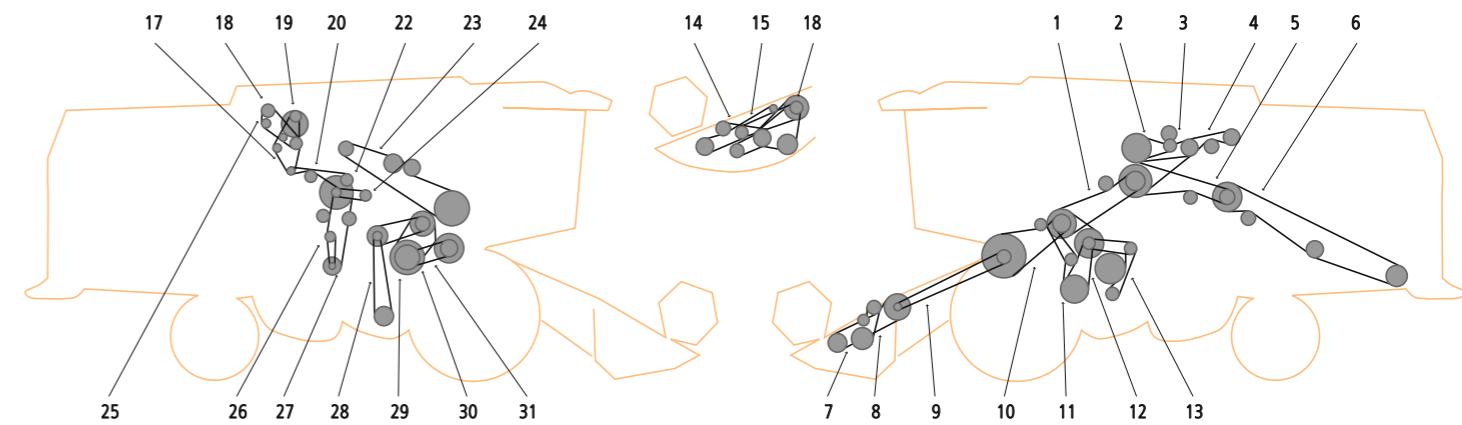
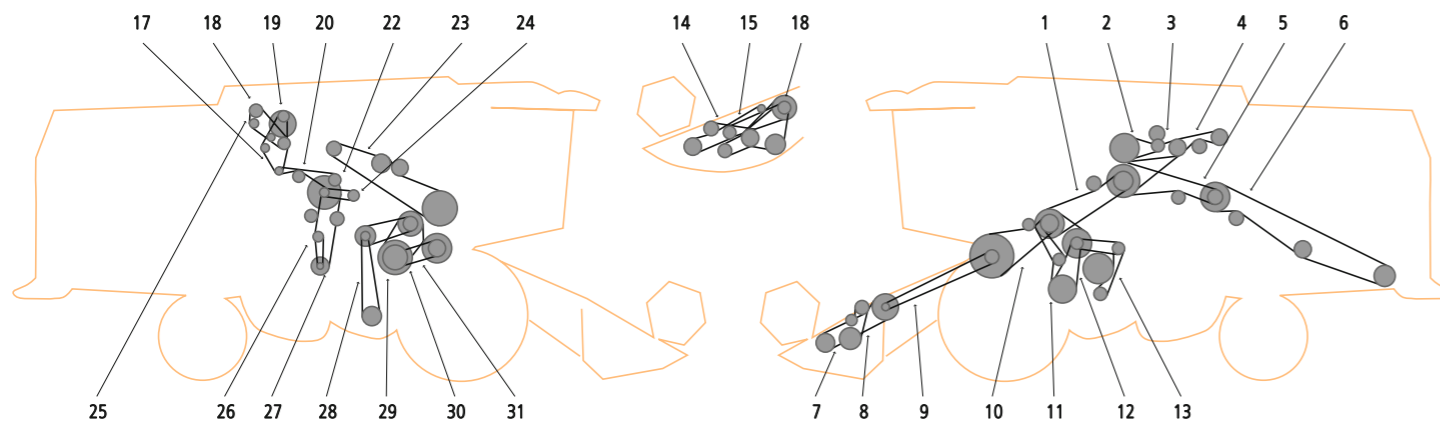
ITEM / POZYCJA	APPLICATION	OPIS	QUANTITY OF V-BELTS IN DRIVE / ILOŚĆ PASÓW W ZESPOLE	OE PART NUMBER / NUMER KATALOGOWY	COMMENT / UWAGI
1	REEL	MOTOWIDŁO	1	20X3150	
2	KNIFE DRIVE	NAPĘD KOSY	1	20X2500	
3	FEEDER AUGER	NAPĘD PRZENOŚNIKA ZBOŻOWEGO	1	22X1700	
4	TABLE DRIVE	NAPĘD	1	20X2500	
5	TRACTION VARI-DRIVE	NAPĘD JAZDY	1	60X18X1400	X
6	TRACTION DRIVE	NAPĘD JAZDY	1	32X2800	
7	REEL COUNTERSHAFT	MOTOWIDŁO	1	17X2240	
8	HYDRAULIC PUMP	POMPA HYDRAULICZNA	1	9.5X1275	
9	MAIN DRIVE	NAPĘD GŁÓWNY	1	80X3370	
10	UNLOADING DRIVE	NAPĘD ZESPOŁU WYŁADUNKU	1	19X1975	
11	GRAIN TANK	ZBIORNIK ZIARNA	1	17X1320	
12	FILLING DRIVE	NAPĘD ZESPOŁU ZAŁADUNKU	1	12.5X2150	
13	BALER	NAPĘD PRASY	1	25X8600	
14	STRAW WALKER	WYTRZĄSACZ	1	17X2400	
15	GRAIN TAILINGS AUGER	NAPĘD ŚLIMAKA	1	20X1000	X
16	AUGER COUNTERSHAFT	NAPĘD ŚLIMAKA	1	17X1320	
17	FAN DRIVE	NAPĘD WENTYLATORA	1	20X3150	
19	RADIATOR FAN	NAPĘD WENTYLATORA CHŁODNICY	1	19X2770	
20	RADIATOR FAN	NAPĘD WENTYLATORA CHŁODNICY	1	12.5X1175	

X - not in standard offer / brak w standardowej ofercie



ITEM / POZYCJA	APPLICATION	OPIS	QUANTITY OF V-BELTS IN DRIVE / ILOŚĆ PASÓW W ZESPOLE	OE PART NUMBER / NUMER KATALOGOWY	COMMENT / UWAGI
1	REEL	MOTOWIDŁO	1	20X4000	
2	REEL VARIATOR	NAPĘD MOTOWIDŁA	1	38X17X1493	X
3	KNIFE	KOSA	1	22X2000	
4	TABLE DRIVE	NAPĘD	1	22X3330	
5	FAN DRIVE	NAPĘD WENTYLATORA	1	22X3740	
6	ELEVATOR DRIVE	NAPĘD PRZENOŚNIKA	1	CCX5000	
7	STRAW WALKER	WYTRZĄSACZ	2	22X3330	
8	MAIN DRIVE	NAPĘD GŁÓWNY	1	110X3855	
9	HYDRAULIC PUMP	POMPA HYDRAULICZNA	2	12.5X1350	
10	RADIATOR FAN	NAPĘD WENTYLATORA CHŁODNICY	1	12.5X1225	
12	GRAIN TANK	ZBIORNIK ZIARNA	2	10X850	
13	DE-AWNER RETURN BELT	NAPĘD ŻUBROWNIKA	1	22X4400	
14	UNLOADING DRIVE	NAPĘD ZESPOŁU WYŁADUNKU	1	22X1950	
15	ELEVATOR DRIVE	NAPĘD PRZENOŚNIKA	1	17X1900	
16	FAN DRIVE	NAPĘD WENTYLATORA	1	BBX3500	
17	LOWER ELEVATOR DRIVE	NAPĘD DOLNEGO PRZENOŚNIKA	1	17X5000	
18	STRAW WALKER	WYTRZĄSACZ	1	22X3100	
19	THRESHING VARI-DRIVE	NAPĘD MŁOCARNI	1	55X25X2070	X
20	GRAIN AND TAILINGS AUGER	NAPĘD ŚLIMAKA	1	17X1060	

X - not in standard offer / brak w standardowej ofercie



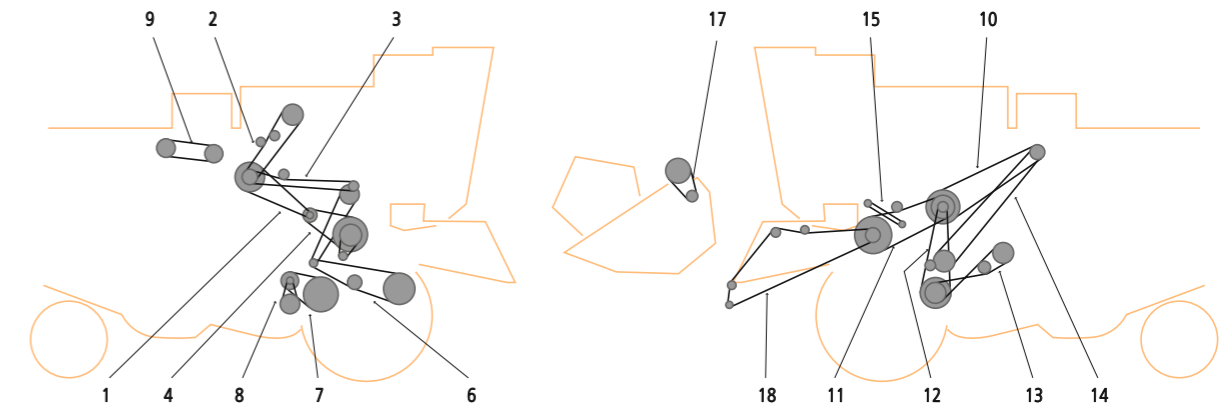
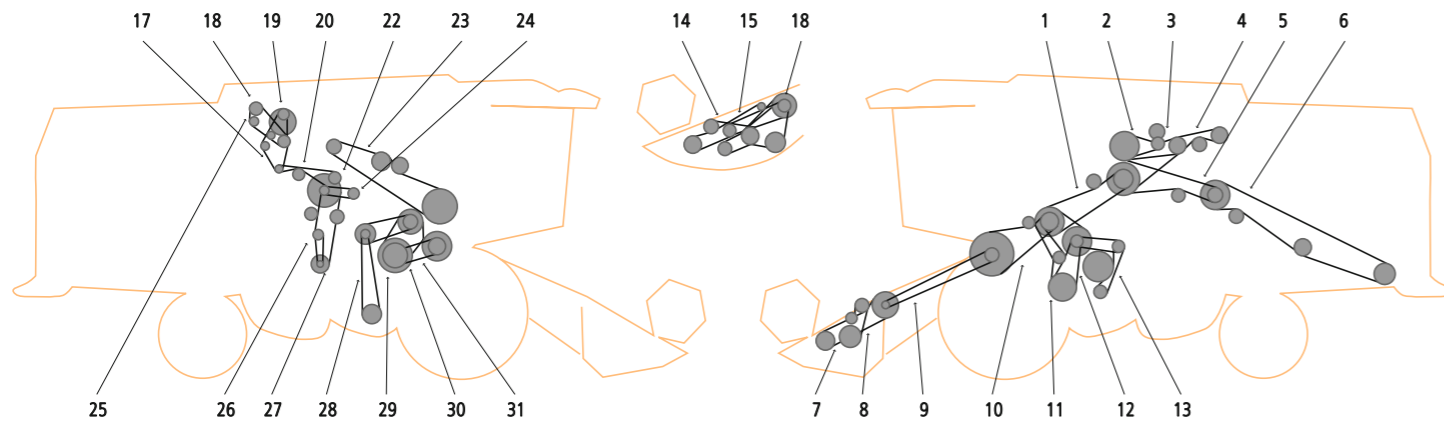
ITEM / POZYCJA	APPLICATION	OPIS	QUANTITY OF V-BELTS IN DRIVE / ILOŚĆ PASÓW W ZESPOLE	OE PART NUMBER / NUMER KATALOGOWY	COMMENT / UWAGI
1	REEL DRIVE	NAPĘD MOTOWIDŁA	1	20X4000	
1	REEL DRIVE	NAPĘD MOTOWIDŁA	1	20X4250	
2	REEL VARIATOR	NAPĘD MOTOWIDŁA	1	38X17X1493	X
3	KNIFE	KOSA	1	22X2000	
3	RICE		1	32X14X2000	
4	TABLE DRIVE	NAPĘD	1	22X3330	
4	RICE		1	32X14X4620	X
5	FAN DRIVE	NAPĘD WENTYLATORA	1	25X3750	
6	ELEVATOR DRIVE	NAPĘD PRZENOŚNIKA	1	HCCX5280	
7	STRAW ELEVATOR	NAPĘD ROZTRZĄSACZA	2	22X3330	
8	MAIN DRIVE	NAPĘD GŁÓWNY	1	3/HB/3830	
9	RADIATOR FAN	NAPĘD WENTYLATORA CHŁODNICY	1	12.5X1250	
10	HYDRAULIC PUMP	POMPA HYDRAULICZNA	1	17X1450	
12	GRAIN TANK	ZBIORNIK ZIARNA	1	17X1090	X
13	DE-AWNER RETURN BELT	NAPĘD ŻUBROWNIKA	1	22X5055	
14	UNLOADING DRIVE	NAPĘD ZESPOŁU WYŁADUNKU	2	22X1870	
15	ELEVATOR DRIVE	NAPĘD PRZENOŚNIKA	1	17X1850	
16	FAN DRIVE	NAPĘD WENTYLATORA	1	BBX3500	
17	LOWER ELEVATOR DRIVE	NAPĘD DOLNEGO PRZENOŚNIKA	1	17X5000	
18	STRAW WALKER	WYTRZĄSACZ	1	22X3200	
19	FAN VARI-DRIVE	NAPĘD WIALNI	1	35X17X1844	X
20	THRESHING DRIVE	NAPĘD MŁOCARNI	1	55X25X2070	X
21	GRAIN TAILINGS AUGER	NAPĘD ŚLIMAKA	1	17X1150	

X - not in standard offer / brak w standardowej ofercie

ITEM / POZYCJA	APPLICATION	OPIS	QUANTITY OF V-BELTS IN DRIVE / ILOŚĆ PASÓW W ZESPOLE	OE PART NUMBER / NUMER KATALOGOWY	COMMENT / UWAGI
1	REEL DRIVE	NAPĘD MOTOWIDŁA	1	20X4000	
1	REEL DRIVE	NAPĘD MOTOWIDŁA	1	20X4250	
2	REEL VARIATOR	NAPĘD MOTOWIDŁA	1	38X17X1493	X
3	KNIFE	KOSA	1	22X2000	
3	RICE		1	32X14X2000	
4	TABLE DRIVE	NAPĘD	1	22X3330	
4	RICE		1	32X14X4620	X
5	FAN DRIVE	NAPĘD WENTYLATORA	1	25X3750	
6	ELEVATOR DRIVE	NAPĘD PRZENOŚNIKA	1	HCCX5280	
7	STRAW ELEVATOR	NAPĘD ROZTRZĄSACZA	2	22X3330	
8	MAIN DRIVE	NAPĘD GŁÓWNY	1	4/HB/1490	
9	RADIATOR FAN	NAPĘD WENTYLATORA CHŁODNICY	1	12.5X1275	
9	RADIATOR FAN (TURBO ENG.)	NAPĘD WENTYLATORA	1	12.5X1350	
10	HYDRAULIC PUMP	POMPA HYDRAULICZNA	1	17X1400	
12	GRAIN TANK	ZBIORNIK ZIARNA	1	17X1090	X
13	DE-AWNER RETURN BELT	NAPĘD ŻUBROWNIKA	1	22X5055	
14	UNLOADING DRIVE	NAPĘD ZESPOŁU WYŁADUNKU	2	22X1870	
15	ELEVATOR DRIVE	NAPĘD PRZENOŚNIKA	1	17X1950	
16	FAN DRIVE	NAPĘD WENTYLATORA	1	BBX3500	
17	LOWER ELEVATOR DRIVE	NAPĘD DOLNEGO PRZENOŚNIKA	1	17X4830	
18	STRAW WALKER	WYTRZĄSACZ	1	22X3200	
19	FAN VARI-DRIVE	NAPĘD WIALNI	1	35X17X1844	X
20	THRESHING DRIVE	NAPĘD MŁOCARNI	1	55X25X2070	X
21	GRAIN TAILINGS AUGER	NAPĘD ŚLIMAKA	1	17X1250	
22	CLEANING FAN DRIVE	NAPĘD WIALNI CZYSZCZĄCEJ	1	13X2550	
23	CLEANING FAN DRIVE	NAPĘD WIALNI CZYSZCZĄCEJ	1	13X1090	

X - not in standard offer / brak w standardowej ofercie



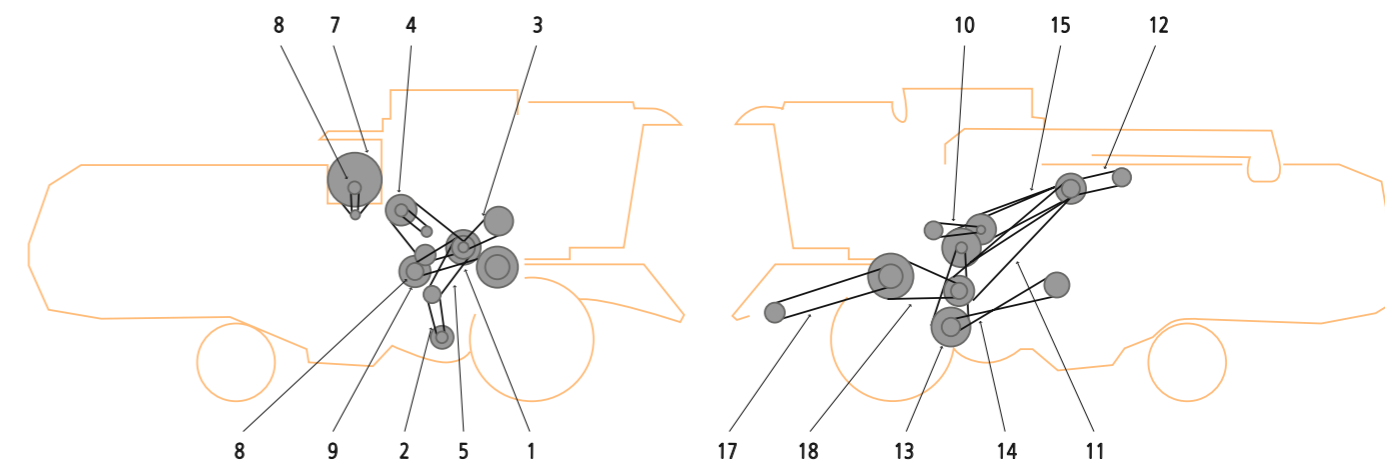
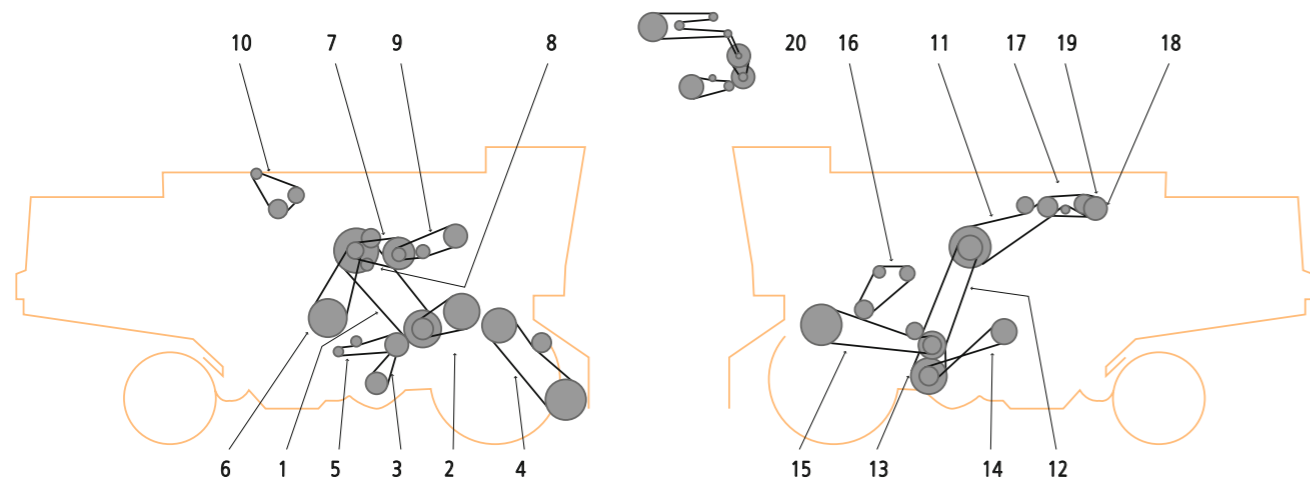


ITEM / POZYCJA	APPLICATION	OPIS	QUANTITY OF V-BELTS IN DRIVE / ILOŚĆ PASÓW W ZESPOLE	OE PART NUMBER / NUMER KATALOGOWY	COMMENT / UWAGI
1	COUNTERSHAFT ELEVATOR	NAPĘD PRZENOŚNIKA	1		
2	ELEVATOR DRIVE UPPER	NAPĘD GÓRNEGO PRZENOŚNIKA	1		
3	RETURN ELEVATOR	NAPĘD PRZENOŚNIKA POWROTNEGO	1		
4	DISCHARGE AUGER	NAPĘD WYSYPU ZBIORNIKA	1		
5	FAN DRIVE	NAPĘD WENTYLATORA	1		
6	CYLINDER VARI-DRIVE	NAPĘD BĘBNA MLÓCĄCEGO	1	50X2315	
7	FAN VARI-DRIVE	NAPĘD WIALNI	1	35X1228	X
8	MAIN DRIVE	NAPĘD GŁÓWNY	1	50X3020	
9	CUTTING TABLE	NAPĘD POŚREDNI HEDERA	1		
10	HYDRAULIC PUMP	POMPA HYDRAULICZNA	1		
11	MAIN DRIVE	NAPĘD GŁÓWNY	1		
12	STRAW SHAKER	NAPĘD ZESPOŁU WYTRZĄSACZY	1		
13	FEEDER SHAFT. SIEVE BOX	PRZENOŚNIK	1		
14	SHAKER SHOE DRIVE	NAPĘD ZESPOŁU KOSZA SITOWEGO	1		

X - not in standard offer / brak w standardowej ofercie

ITEM / POZYCJA	APPLICATION	OPIS	QUANTITY OF V-BELTS IN DRIVE / ILOŚĆ PASÓW W ZESPOLE	OE PART NUMBER / NUMER KATALOGOWY	COMMENT / UWAGI
6			1	4250121772	
10			1	4250121764	
16			2	4250121780	

X - not in standard offer / brak w standardowej ofercie

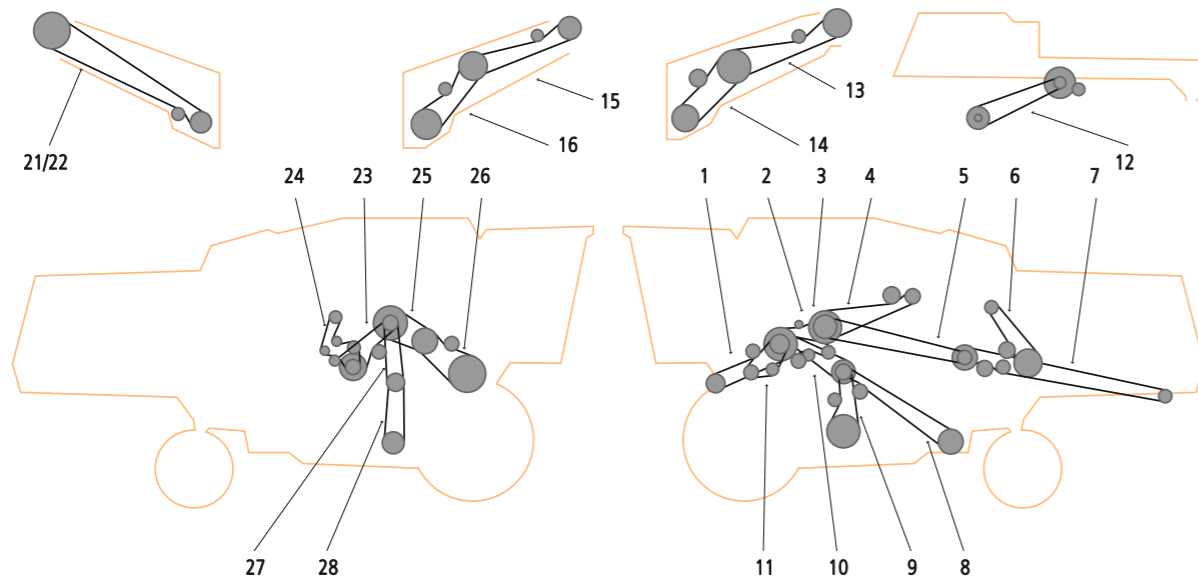


ITEM / POZYCJA	APPLICATION	OPIS	QUANTITY OF V-BELTS IN DRIVE / ILOŚĆ PASÓW W ZESPOLE	OE PART NUMBER / NUMER KATALOGOWY	COMMENT / UWAGI
2			1	4240023387	
4			1	4240023395	
11			1	4240023370	
15			1	4240023395	

X - not in standard offer / brak w standardowej ofercie

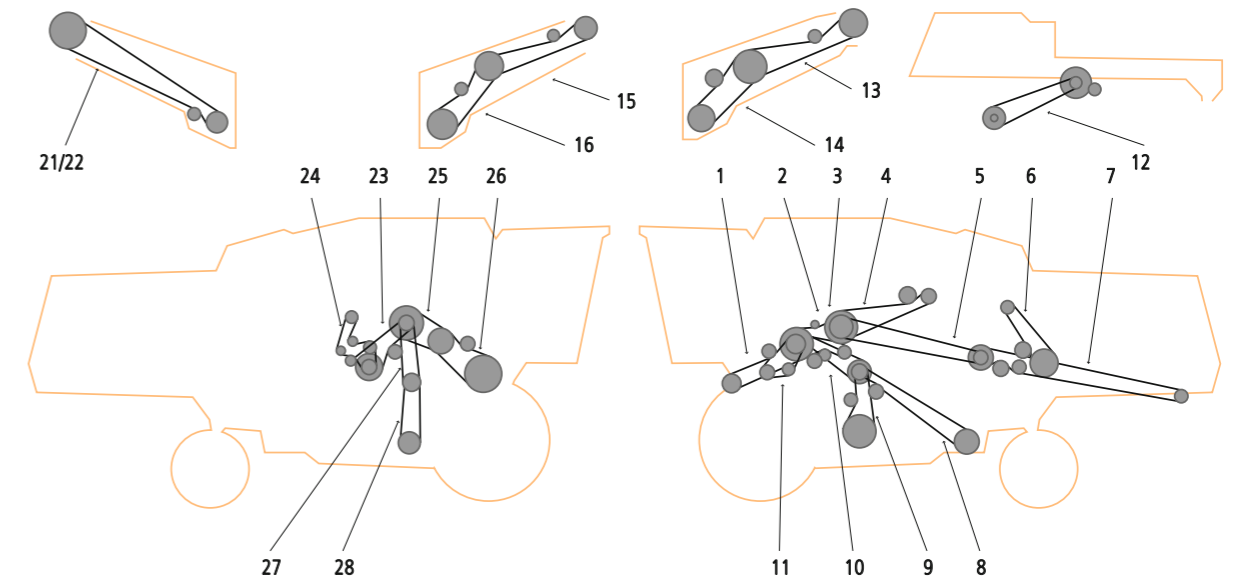
ITEM / POZYCJA	APPLICATION	OPIS	QUANTITY OF V-BELTS IN DRIVE / ILOŚĆ PASÓW W ZESPOLE	OE PART NUMBER / NUMER KATALOGOWY	COMMENT / UWAGI
10			1	61020978	
11			1	60168160	
15			2	61020986	
16			1	61009074	
17			1	61004680	

X - not in standard offer / brak w standardowej ofercie



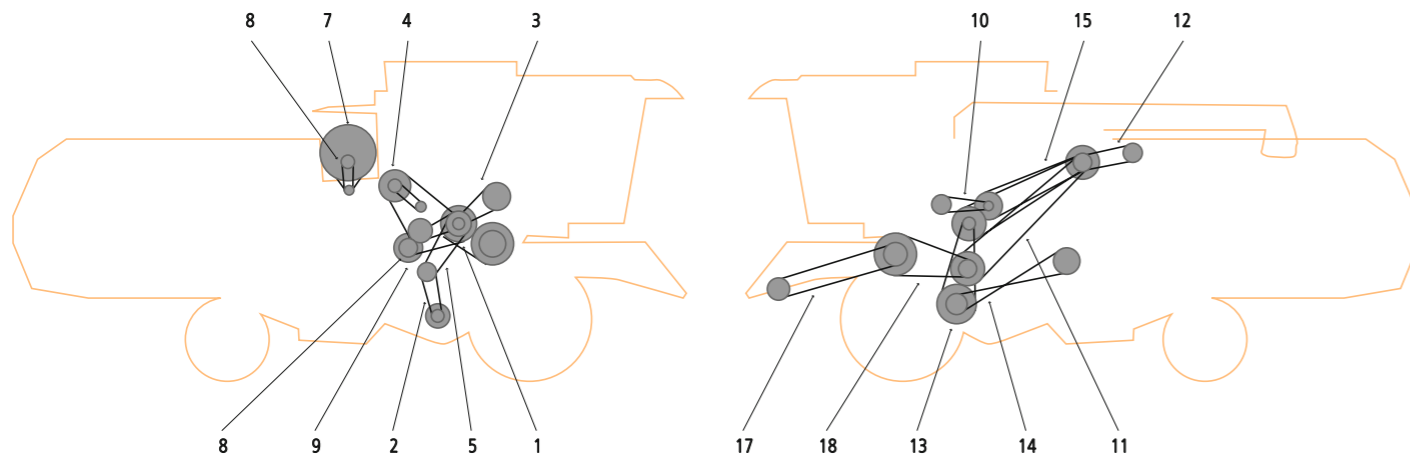
ITEM / POZYCJA	APPLICATION	OPIS	QUANTITY OF V-BELTS IN DRIVE / ILOŚĆ PASÓW W ZESPOLE	OE PART NUMBER / NUMER KATALOGOWY	COMMENT / UWAGI
1	REEL SPEED VARI-DRIVE	NAPĘD MOTOWIDŁA	1	Z20459	X
2	STRAW ELEVATOR DRIVE	NAPĘD PRZENOŚNIKA POCHYLEGO	1	Z20460	
3	REEL DRIVE	NAPĘD MOTOWIDŁA	1	Z20562	
4	HYDRAULIC PUMP	POMPA HYDRAULICZNA	1	Z21137	
4	HYDRAULIC PUMP	POMPA HYDRAULICZNA	1	Z21171	
4	HYDRAULIC PUMP	POMPA HYDRAULICZNA	1	Z21254	
4	HYDRAULIC PUMP	POMPA HYDRAULICZNA	1	Z23752	
5	UNLOADING SYSTEM	SYSTEM ROZŁADUNKU	1	Z21398	
5	UNLOADING SYSTEM	SYSTEM ROZŁADUNKU	1	Z21400	
6	THRESHING DRUM DRIVE	NAPĘD BĘBNA MŁÓCĄCEGO	1	Z21401	
6	THRESHING DRUM DRIVE	NAPĘD BĘBNA MŁÓCĄCEGO	1	Z21402	
7	SICKLE KNIFE DRIVE	NAPĘD KOSY	1	Z23693	
8	TRACTION DRIVE	NAPĘD JAZDY	1	H25645	
9	FAN VARI-DRIVE	NAPĘD WIALNI	1	Z20459	X
10	FAN DRIVE	NAPĘD WENTYLATORA	1	Z20703	
11	CYLINDER DRIVE	NAPĘD BĘBNA MŁÓCĄCEGO	1	Z20823	
12	ROTARY SCREEN. ELEVATOR	KOSZ CHŁODNICY - PRZENOŚNIK	1	Z20743	
13	PUMP DRIVE ENGINE	NAPĘD POMPY HYDRAULICZNEJ Z SILNIKA	1	T23505	

X - not in standard offer / brak w standardowej ofercie



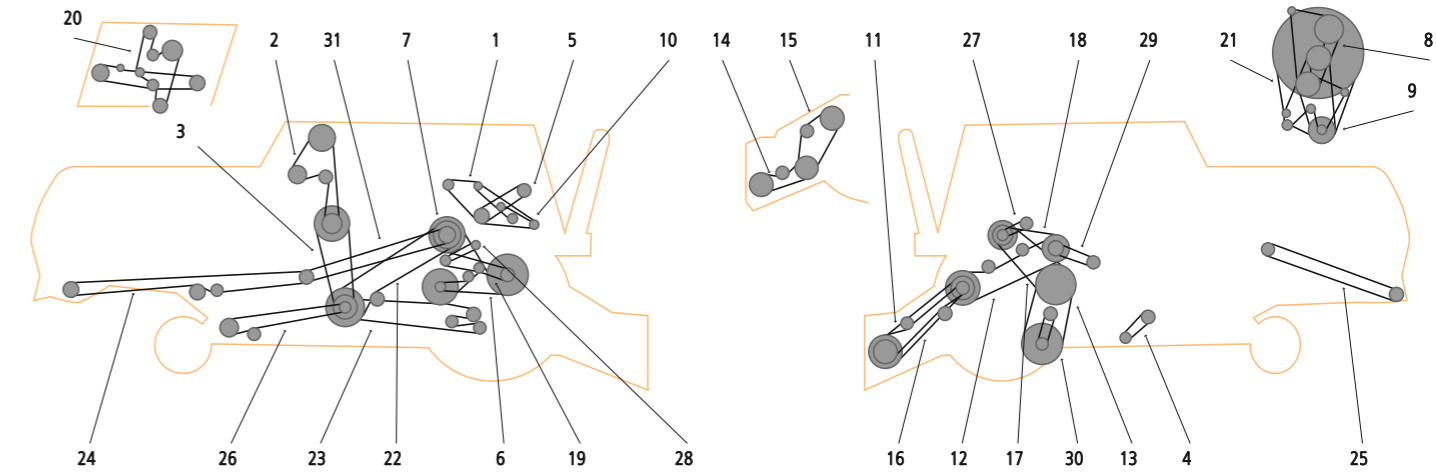
ITEM / POZYCJA	APPLICATION	OPIS	QUANTITY OF V-BELTS IN DRIVE / ILOŚĆ PASÓW W ZESPOLE	OE PART NUMBER / NUMER KATALOGOWY	COMMENT / UWAGI
1	REEL VARIATOR	NAPĘD MOTOWIDŁA	1	Z20459	X
2	REEL DRIVE	NAPĘD MOTOWIDŁA	1	Z20562	
3	HYDRAULIC PUMP	POMPA HYDRAULICZNA	1	Z21171	
3	HYDRAULIC PUMP	POMPA HYDRAULICZNA	1	Z21254	
4	UNLOADING SYSTEM	SYSTEM ROZŁADUNKU	1	Z21398	
4	UNLOADING SYSTEM	SYSTEM ROZŁADUNKU	1	Z21400	
5	THRESHING DRUM DRIVE	NAPĘD BĘBNA MŁÓCĄCEGO	1	Z21403	
6	SICKLE KNIFE DRIVE	NAPĘD KOSY	1	Z21500	
7	STRAW ELEVATOR	NAPĘD ROZTRZĄSACZA	1	Z21501	
9	FAN VARI-DRIVE	NAPĘD WIALNI	1	Z20459	X
10	FAN DRIVE	NAPĘD WENTYLATORA	1	Z20703	
11	ROTARY SCREEN. ELEVATOR	KOSZ CHŁODNICY - PRZENOŚNIK	1	Z20743	
12	CYLINDER DRIVE	NAPĘD BĘBNA MŁÓCĄCEGO	1	Z20823	
13	PUMP DRIVE ENGINE	NAPĘD POMPY HYDRAULICZNEJ Z SILNIKA	1	T23505	
13	PUMP DRIVE ENGINE	NAPĘD POMPY HYDRAULICZNEJ Z SILNIKA	1	Z22208	

X - not in standard offer / brak w standardowej ofercie



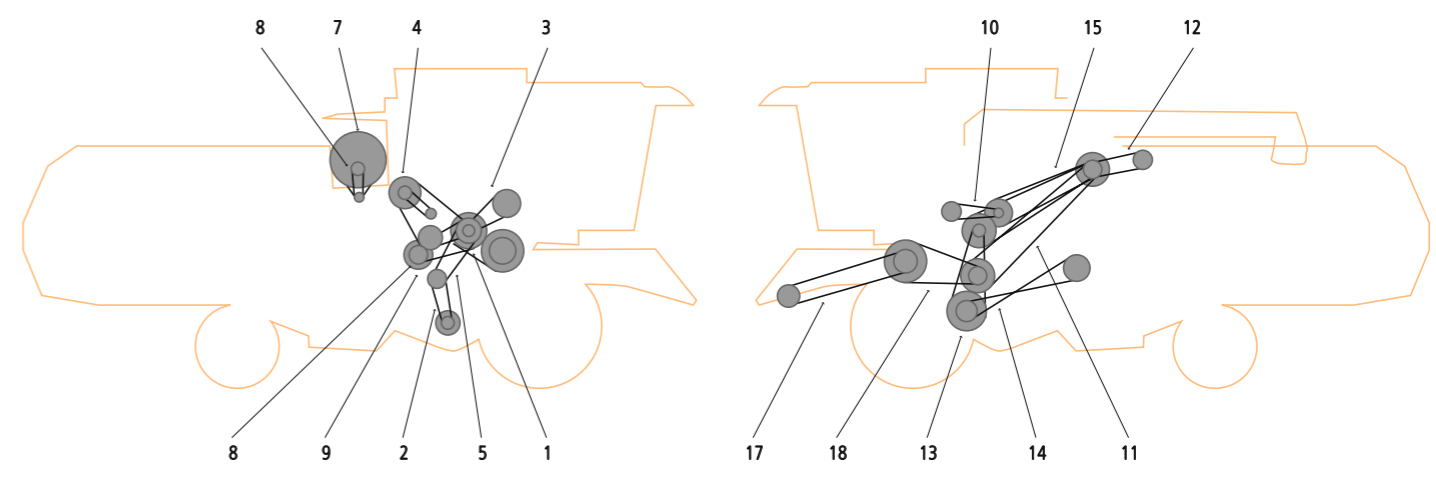
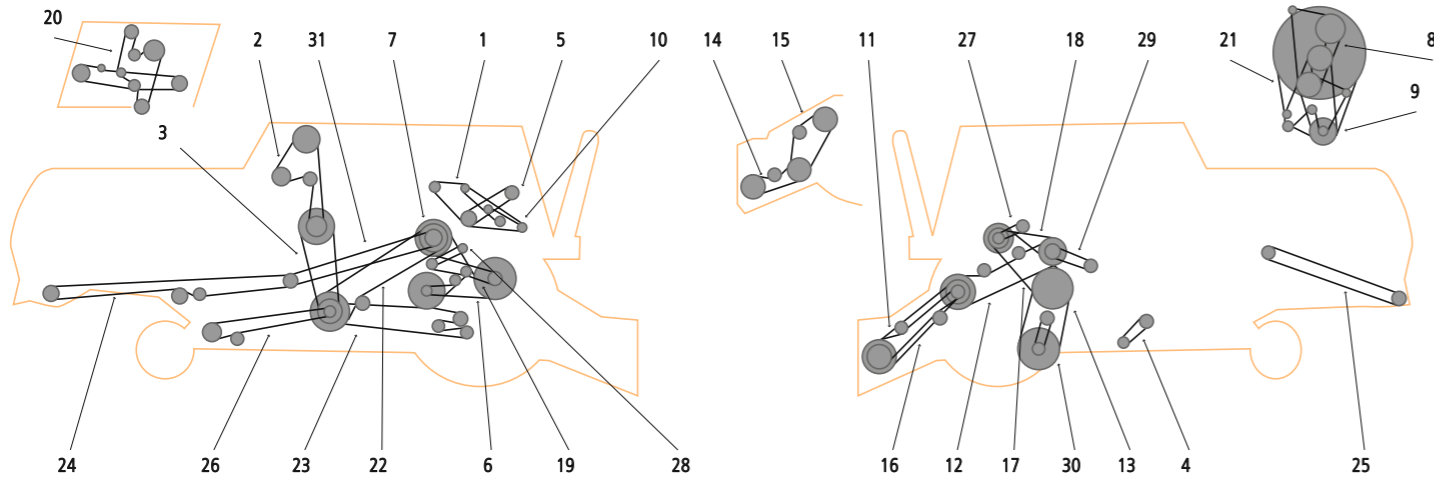
ITEM / POZYCJA	APPLICATION	OPIS	QUANTITY OF V-BELTS IN DRIVE / ILOŚĆ PASÓW W ZESPOLE	OE PART NUMBER / NUMER KATALOGOWY	COMMENT / UWAGI
1	KNIFE DRIVE	NAPĘD KOSY	1	188716C1	
1	REEL VARIATOR	NAPĘD MOTOWIDŁA	1	Z20459	X
2	REEL DRIVE. PRIMARY FRONT	NAPĘD MOTOWIDŁA	1	132374C1	
2	REEL DRIVE	NAPĘD MOTOWIDŁA	1	Z20562	
3	DRAPER. COUNTERSHAFT DRIVE	NAPĘD PRZENOŚNIKA	1	1336591C1	
3	HYDRAULIC PUMP	POMPA HYDRAULICZNA	1	Z21254	
4	MAIN DRIVE	NAPĘD GŁÓWNY	1	1276589C1	
4	UNLOADING SYSTEM	SYSTEM ROZŁADUNKU	1	Z21400	
5	DRAPER DRIVE WIDE OPENING	NAPĘD PRZENOŚNIKA	1	617910R1	
5	SICKLE KNIFE DRIVE	NAPĘD KOSY	1	Z21500	
5	SICKLE KNIFE DRIVE	NAPĘD KOSY	1	Z21501	
6	DRAPER DRIVE. NARROW OPENING	NAPĘD PRZENOŚNIKA	1	1276707C1	
6	STRAW ELEVATOR	NAPĘD ROZTRZĄSACZA	1	Z21501	
7	THRESHING DRUM	NAPĘD MŁOCARNI	1	Z22648	
9	FAN VARI-DRIVE	NAPĘD WIALNI	1	Z20459	X
10	FAN DRIVE	NAPĘD WENTYLATORA	1	Z20703	
11	ROTARY SCREEN - ELEVATOR	KOSZ CHŁODNICY - PRZENOŚNIK	1	Z20743	
12	CYLINDER DRIVE	NAPĘD BĘBNA MŁÓCĄCEGO	1	Z20823	
13	PUMP DRIVE - ENGINE	NAPĘD POMPY HYDRAULICZNEJ Z SILNIKA	1	Z22208	

X - not in standard offer / brak w standardowej ofercie



ITEM / POZYCJA	APPLICATION	OPIS	QUANTITY OF V-BELTS IN DRIVE / ILOŚĆ PASÓW W ZESPOLE	OE PART NUMBER / NUMER KATALOGOWY	COMMENT / UWAGI
1	REEL DRIVE	NAPĘD MOTOWIDŁA	1	Z20562	
2	REEL VARIATOR	NAPĘD MOTOWIDŁA	1	Z20459	X
2	REEL VARIATOR	NAPĘD MOTOWIDŁA	1	Z30692	
3	SICKLE KNIFE DRIVE	NAPĘD KOSY	1	Z23693	
4	STRAW ELEVATOR	NAPĘD ROZTRZĄSACZA	1	Z21501	
4	STRAW ELEVATOR	NAPĘD ROZTRZĄSACZA	1	Z30130	
4	STRAW ELEVATOR	NAPĘD ROZTRZĄSACZA	1	Z31816	
5	TRACTION VARI-DRIVE	NAPĘD JAZDY	1	Z31367	X
6	THRESHING DRUM DRIVE	NAPĘD BĘBNA MŁÓCĄCEGO	1	Z31191	
7	UNLOADING SYSTEM	SYSTEM ROZŁADUNKU	1	Z21400	
8	HYDRAULIC PUMP	POMPA HYDRAULICZNA	1	Z30593	
9	STRAW WALKER	WYTRZĄSACZ	1	Z25473	
10	PURIFY DRIVE	NAPĘD CZYSZCZALNI	1	Z31283	
11	FAN DRIVE	NAPĘD WENTYLATORA	1	Z20703	
12	FAN VARI-DRIVE	NAPĘD WIALNI	1	Z20459	X
13	CYLINDER VARI-DRIVE	NAPĘD BĘBNA MŁÓCĄCEGO	1	Z20823	
14	ROTARY SCREEN DRIVE	NAPĘD KOSZA CHŁODNICY	1	Z28458	
15	WATER PUMP DRIVE	NAPĘD POMPY WODNEJ	1	T20334	
16	STRAW WALKER	WYTRZĄSACZ	1	Z30920	

X - not in standard offer / brak w standardowej ofercie



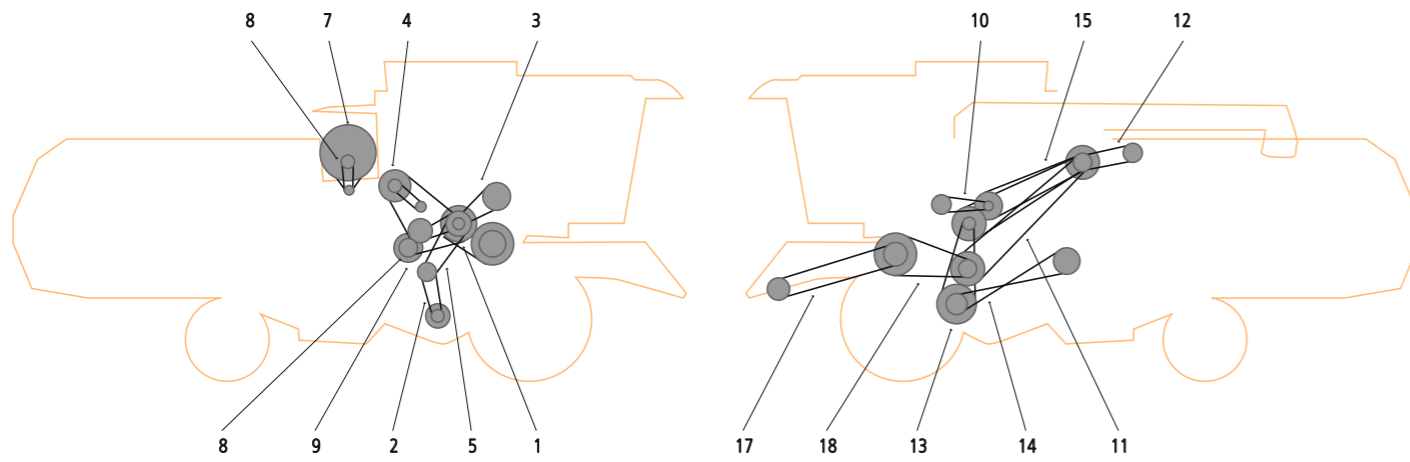
ITEM / POZYCJA	APPLICATION	OPIS	QUANTITY OF V-BELTS IN DRIVE / ILOŚĆ PASÓW W ZESPOLE	OE PART NUMBER / NUMER KATALOGOWY	COMMENT / UWAGI
1	REEL DRIVE	NAPĘD MOTOWIDŁA	1	Z20562	
2	REEL VARIATOR	NAPĘD MOTOWIDŁA	1	Z20459	X
2	REEL VARIATOR	NAPĘD MOTOWIDŁA	1	Z30692	
3	SICKLE KNIFE DRIVE	NAPĘD KOSY	1	Z30130	
4	STRAW ELEVATOR	NAPĘD ROZTRZĄSACZA	1	Z21501	
6	THRESHING DRUM DRIVE	NAPĘD BĘBNA MLÓCĄCEGO	1	Z21403	
6	THRESHING DRUM DRIVE	NAPĘD BĘBNA MLÓCĄCEGO	1	Z29962	
6	THRESHING DRUM DRIVE	NAPĘD BĘBNA MLÓCĄCEGO	1	Z32173	
7	UNLOADING SYSTEM	SYSTEM ROZŁADUNKU	1	Z21400	
8	HYDRAULIC PUMP	POMPA HYDRAULICZNA	1	Z30593	
9	STRAW WALKER	WYTRZĄSACZ	1	Z30920	
10	PURIFY DRIVE	NAPĘD CZYSZCZALNI	1	Z31283	
11	FAN DRIVE	NAPĘD WENTYLATORA	1	Z20703	
12	FAN VARI-DRIVE	NAPĘD WIALNI	1	Z20459	X
13	CYLINDER VARI-DRIVE	NAPĘD BĘBNA MLÓCĄCEGO	1	Z20823	
14	ROTARY SCREEN DRIVE	NAPĘD KOSZA CHŁODNICY	1	Z28458	
15	WATER PUMP DRIVE	NAPĘD POMPY WODNEJ	1	AT28030	
15	WATER PUMP DRIVE	NAPĘD POMPY WODNEJ	1	T20334	
15	WATER PUMP DRIVE	NAPĘD POMPY WODNEJ	1	T23505	
16	STRAW WALKER	WYTRZĄSACZ	1	Z25473	

X - not in standard offer / brak w standardowej ofercie

ITEM / POZYCJA	APPLICATION	OPIS	QUANTITY OF V-BELTS IN DRIVE / ILOŚĆ PASÓW W ZESPOLE	OE PART NUMBER / NUMER KATALOGOWY	COMMENT / UWAGI
1	REEL DRIVE	NAPĘD MOTOWIDŁA	1	Z20562	
2	REEL DRIVE	NAPĘD MOTOWIDŁA	1	Z20459	X
2	REEL DRIVE	NAPĘD MOTOWIDŁA	1	Z30692	
3	KNIFE DRIVE	NAPĘD KOSY	1	Z30130	
4	STRAW ELEVATOR DRIVE	NAPĘD PRZENOŚNIKA POCHYLEGO	1	Z32568	
4	STRAW ELEVATOR DRIVE	NAPĘD PRZENOŚNIKA POCHYLEGO	1	Z21501	
6	MAIN DRIVE	NAPĘD GŁÓWNY	1	Z21403	
7	UNLOADER AUGER DRIVE	NAPĘD ŚLIMAKA WYSYPU ZBIORNIKA	1	Z21400	
8	HYDRAULIC PUMP DRIVE	NAPĘD POMPY HYDRAULICZNEJ	1	Z30593	
9	STRAW WALKER	NAPĘD ROZTRZĄSACZA SŁOMY	1	Z33774	
11	CLEANING FAN DRIVE	NAPĘD WIALNI CZYSZCZĄCEJ	1	Z34405	
12	CLEANING FAN DRIVE	NAPĘD WIALNI CZYSZCZĄCEJ	1	Z20459	X
13	CYLINDER DRIVE	NAPĘD ODRZUTNIKA	1	Z20823	
14	ELEVATOR DRIVE	NAPĘD PRZENOŚNIKA	1	Z20743	
15	WATER PUMP DRIVE	NAPĘD POMPY WODNEJ	1	Z32190	X
16	COOLER	NAPĘD ROTORA KOSZA CHŁODNICY	1	Z31283	
	ALTERNATOR DRIVE	NAPĘD ALTERNATORA	1	AT28030	

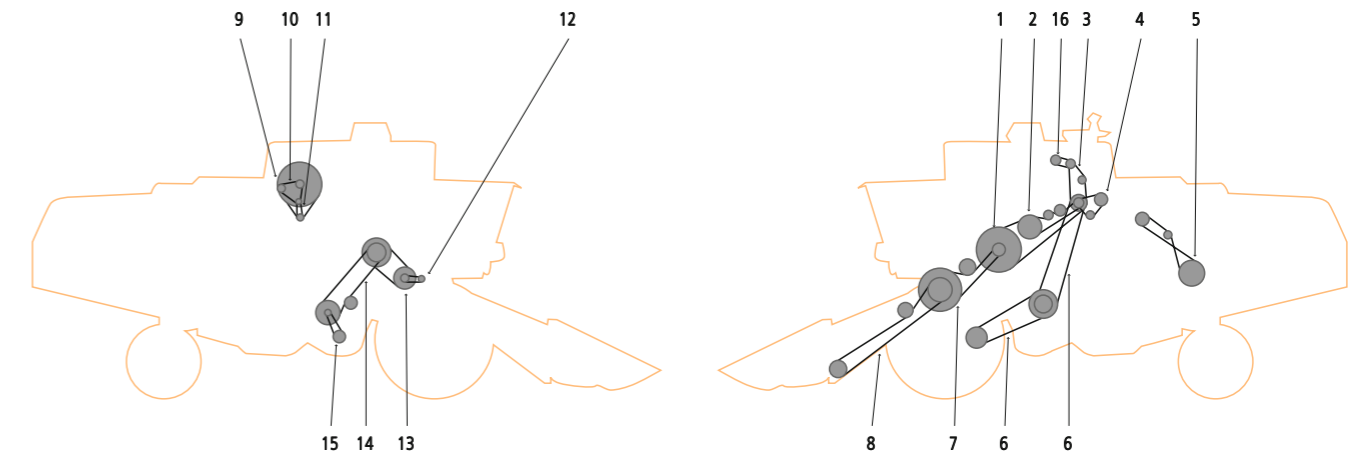
X - not in standard offer / brak w standardowej ofercie





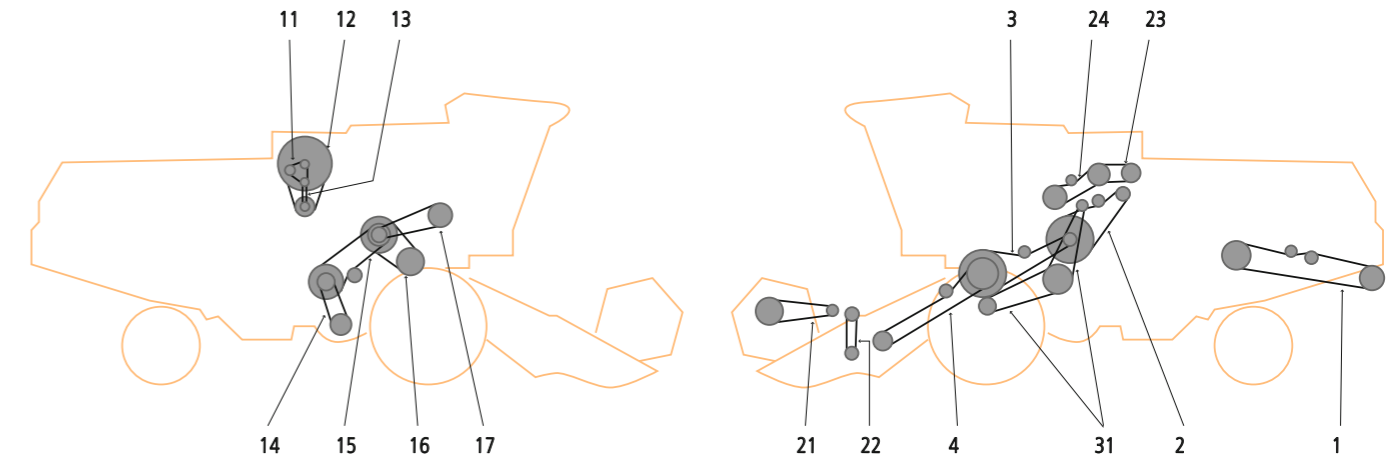
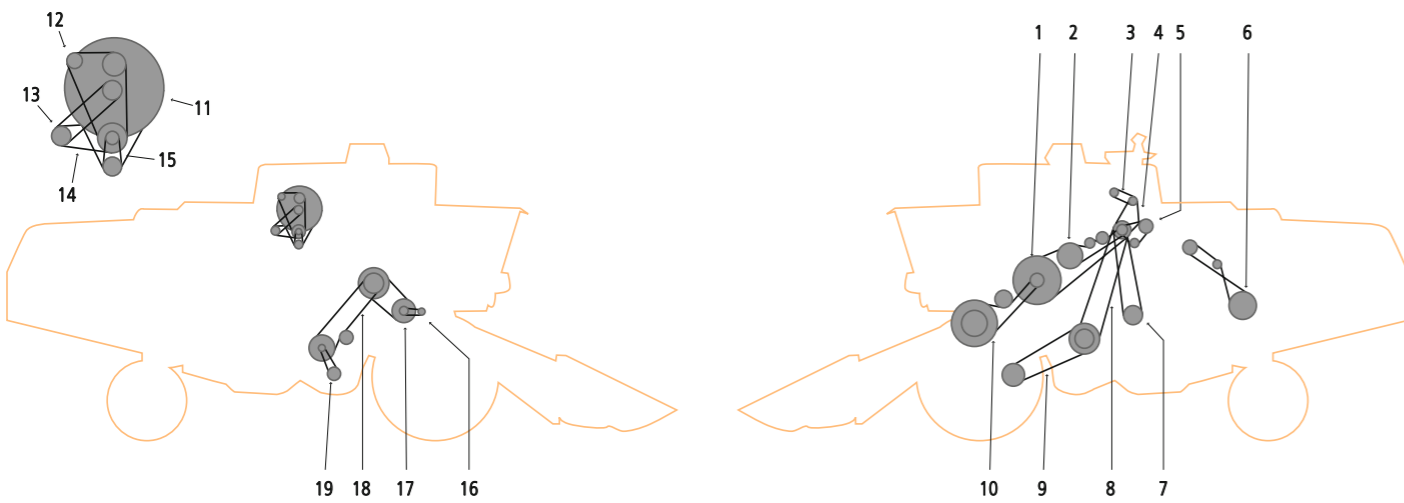
ITEM / POZYCJA	APPLICATION	OPIS	QUANTITY OF V-BELTS IN DRIVE / ILOŚĆ PASÓW W ZESPOLE	OE PART NUMBER / NUMER KATALOGOWY	COMMENT / UWAGI
1	REEL DRIVE	NAPĘD MOTOWIDŁA	1	Z20562	
2	REEL DRIVE	NAPĘD MOTOWIDŁA	1	Z30692	
2	REEL DRIVE	NAPĘD MOTOWIDŁA	1	Z20459	X
3	KNIFE DRIVE	NAPĘD KOSY	1	Z30130	
4	STRAW ELEVATOR DRIVE	NAPĘD PRZENOŚNIKA POCHYLEGO	1	Z21501	
4	STRAW ELEVATOR DRIVE	NAPĘD PRZENOŚNIKA POCHYLEGO	1	Z32568	
6	MAIN DRIVE	NAPĘD GŁÓWNY	1	Z21403	
7	UNLOADER AUGER DRIVE	NAPĘD ŚLIMAKA WYSYPU ZBIORNIKA	1	Z21400	
8	HYDRAULIC PUMP DRIVE	NAPĘD POMPY HYDRAULICZNEJ	1	Z30593	
9	STRAW CHOPPER DRIVE	NAPĘD ROZDRABNIACZA SŁOMY	1	Z33774	
10	STRAW WALKER DRIVE	NAPĘD WYTRZAŚACZA POPRZECZNEGO	1	Z32883	
11	ROTARY DUST SCREEN	NAPĘD KOSZA OBROTOWEGO CHŁODNICY	1	Z31283	
12	CLEANING FAN DRIVE	NAPĘD WIALNI CZYSZCZĄCEJ	1	Z34405	
13	CLEANING FAN DRIVE	NAPĘD WIALNI CZYSZCZĄCEJ	1	Z20459	X
14	CYLINDER DRIVE	NAPĘD ODRZUTNIKA	1	Z20823	
15	ELEVATOR DRIVE	NAPĘD PRZENOŚNIKA	1	Z20743	
16	COOLER	NAPĘD ROTORA KOSZA CHŁODNICY	1	Z32190	X
	WATER PUMP, FAN, ALTERNATOR	NAPĘD POMPY WODNEJ, WENTYLATORA	1	AT28030	

X - not in standard offer / brak w standardowej ofercie



ITEM / POZYCJA	APPLICATION	OPIS	QUANTITY OF V-BELTS IN DRIVE / ILOŚĆ PASÓW W ZESPOLE	OE PART NUMBER / NUMER KATALOGOWY	COMMENT / UWAGI
1			1	Z33790	
2			1	Z47911	
3			1	CA20518	
4			1	Z34828	
5	965H AND 965 ONLY ; SERIAL NO -026422	965H I 965 ; SERIAL -026422	1	Z33605	
5	SERIAL NO 026423-	SERIAL 026423-	1	Z35965	
6			2	Z33967	
7			1	Z38186	
7			1	Z21501	
8	965H AND 968H ONLY ; SERIAL NO -024652	965H AND 968H ; SERIAL -024652	1	Z25670	
8	965H AND 968H ONLY ; SERIAL NO 024653-	965H AND 968H ; SERIAL 024653-	1	Z39312	
8	965 ONLY; SERIAL NO -024652	965; SERIAL -024652	1	Z30130	
8	966 ONLY; SERIAL NO -024652	966; SERIAL -024652	1	Z36949	
8	967 ONLY; SERIAL NO -024653	967; SERIAL -024653	1	Z39313	
8	968 ONLY; SERIAL NO -024653	968; SERIAL -024653	1	Z39314	
9			1	AT28030	
10			1	Z31283	
11			1	Z32190	X
12			1	Z31867	X
13			1	Z20823	
14			1	Z34405	
15			1	Z41178	X
16			1	CA20514	

X - not in standard offer / brak w standardowej ofercie

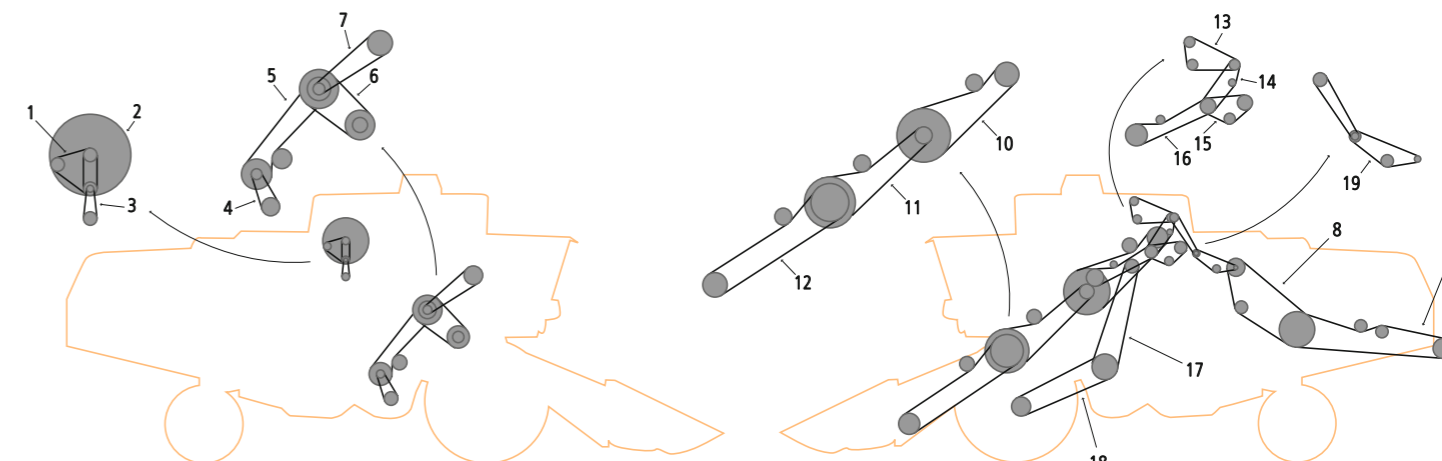
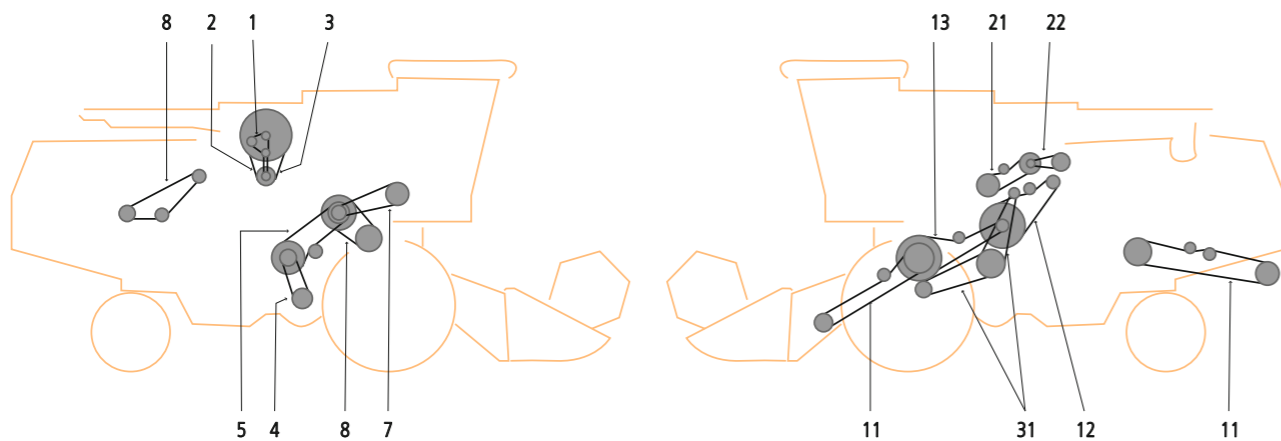


ITEM / POZYCJA	APPLICATION	OPIS	QUANTITY OF V-BELTS IN DRIVE / ILOŚĆ PASÓW W ZESPOLE	OE PART NUMBER / NUMER KATALOGOWY	COMMENT / UWAGI
1	985ONLY -18432	985 -18432	1	Z33790	
1	018433-	018433-	1	Z38697	
2	985 ONLY	985	1	Z47911	
2			1	Z47912	
3			1	CA20514	
4			1	CA20518	
5			1	Z34828	
6	-26422	-26422	1	Z33605	
6	026423-	026423-	1	Z35965	
7			1	Z41563	
8	985 ONLY	985	1	AZ22914	
9	985 ONLY	985	1	Z34099	X
10			1	Z38186	
11	985 ONLY	985	1	Z37192	
11			1	Z38704	
12			1	H79235	
13	985 ONLY	985	1	Z38149	X
13			1	Z38703	X
14	985 ONLY	985	1	Z38148	
14			1	Z38702	X
15	985 ONLY	985	1	Z37191	
15			1	Z38692	X
16			1	Z39750	X
17			1	Z37473	X
18			1	Z34405	
19			1	Z41178	X

X - not in standard offer / brak w standardowej ofercie

ITEM / POZYCJA	APPLICATION	OPIS	QUANTITY OF V-BELTS IN DRIVE / ILOŚĆ PASÓW W ZESPOLE	OE PART NUMBER / NUMER KATALOGOWY	COMMENT / UWAGI
1	STRAW WALKER	NAPĘD ROZTRZĄSACZA SŁOMY	1	Z33774	
2	CUTTING TABLE DRIVE	PRZENOŚNIK POCHYŁY	1	Z46222	
2	CUTTING TABLE DRIVE	PRZENOŚNIK POCHYŁY	1	Z31191	
3	CUTTING TABLE DRIVE	PRZENOŚNIK POCHYŁY	1	Z38186	
3	CUTTING TABLE DRIVE	PRZENOŚNIK POCHYŁY	1	Z20460	
3	CUTTING TABLE DRIVE	PRZENOŚNIK POCHYŁY	1	Z21501	
4	CUTTING TABLE DRIVE	PRZENOŚNIK POCHYŁY	1	Z23693	
4	CUTTING TABLE DRIVE	PRZENOŚNIK POCHYŁY	1	Z46874	
4	CUTTING TABLE DRIVE	PRZENOŚNIK POCHYŁY	1	Z39313	
11	WATER PUMP, FAN, ALTERNATOR	NAPĘD POMPY WODNEJ, WENTYLATORA	1	T20334	
12	ROTARY SCREEN DRIVE	NAPĘD ZESPOŁU ROTORA KOSZA CHŁODNICY	1	Z31283	
13	ROTARY SCREEN DRIVE	NAPĘD ZESPOŁU ROTORA KOSZA CHŁODNICY	1	Z32190	X
14	CLEANING FAN DRIVE	NAPĘD WIALNI CZYSZCZĄCEJ	1	Z41178	X
15	CLEANING FAN DRIVE	NAPĘD WIALNI CZYSZCZĄCEJ	1	Z34405	
16	CYLINDER DRIVE	NAPĘD ODRZUTNIKA	1	Z53288	
17	ELEVATOR DRIVE	NAPĘD PRZENOŚNIKA	1	Z20743	
21	REEL DRIVE	NAPĘD MOTOWIDŁA	1	Z44740	
22	REEL DRIVE	NAPĘD KOSY	1	Z36813	X
23	HYDRAULIC PUMP DRIVE	NAPĘD POMPY HYDRAULICZNEJ	1	Z42382	
24	DISCHARGE DRIVE	NAPĘD WYSYPY	1	Z43253	
31	MAIN DRIVE	NAPĘD JAZDY	1	Z36120	

X - not in standard offer / brak w standardowej ofercie

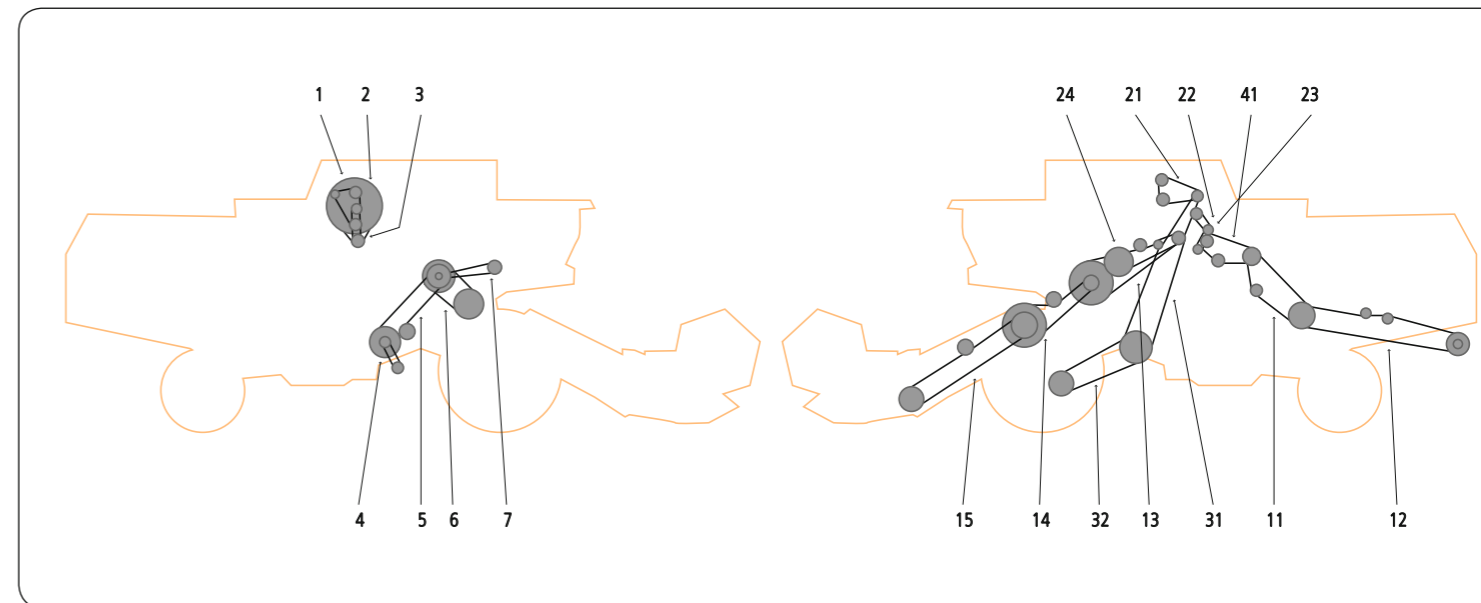
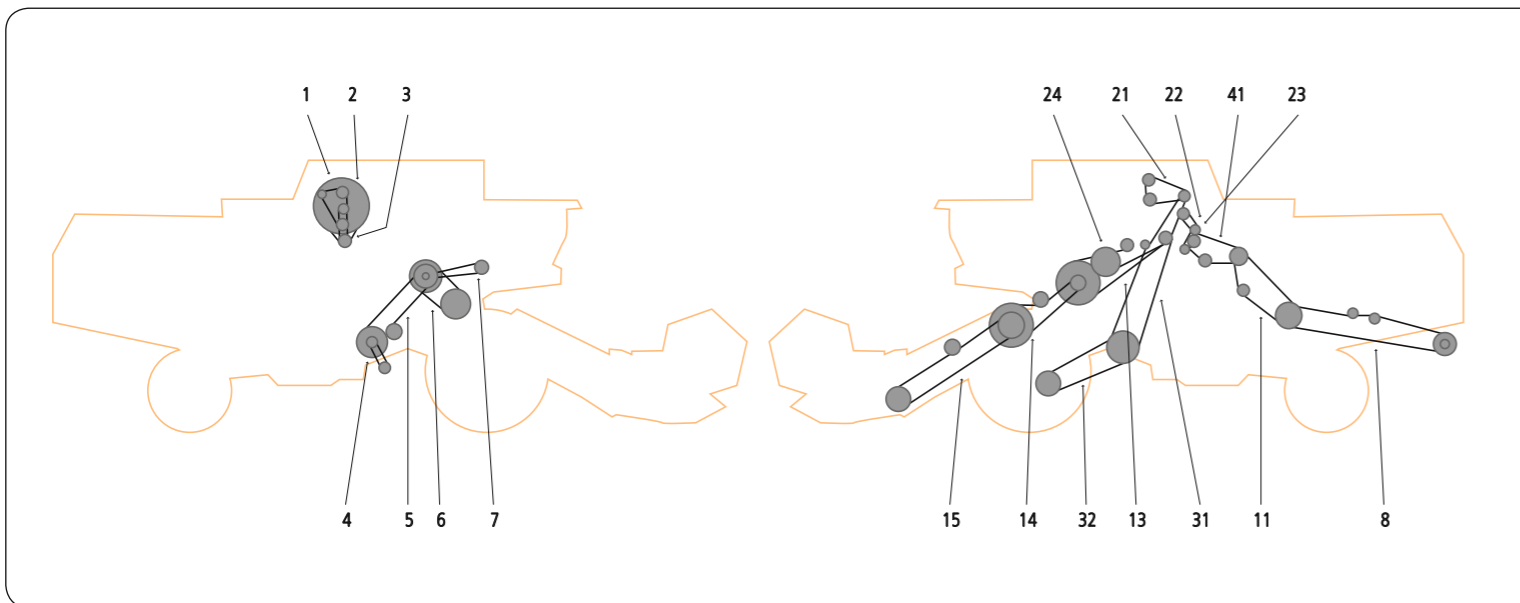


ITEM / POZYCJA	APPLICATION	OPIS	QUANTITY OF V-BELTS IN DRIVE / ILOŚĆ PASÓW W ZESPOLE	OE PART NUMBER / NUMER KATALOGOWY	COMMENT / UWAGI
1	WATER PUMP, FAN, ALTERNATOR	NAPĘD POMPY WODNEJ, WENTYLATORA	1	AT28030	
2	ROTARY SCREEN DRIVE	NAPĘD ZESPOŁU ROTORA KOSZA CHŁODNICY	1	Z31283	
3	ROTARY SCREEN DRIVE	NAPĘD ZESPOŁU ROTORA KOSZA CHŁODNICY	1	Z32190	X
4	CLEANING FAN DRIVE	NAPĘD WIALNI CZYSZCZĄCEJ	1	Z41178	X
5	CLEANING FAN DRIVE	NAPĘD WIALNI CZYSZCZĄCEJ	1	Z34405	
6	CYLINDER DRIVE	NAPĘD ODRZUTNIKA	1	Z53288	
7	ELEVATOR DRIVE	NAPĘD PRZENOŚNIKA	1	Z20743	
8	STRAW WALKER DRIVE	NAPĘD WYTRZĄSACZA POPRZECZNEGO	1	Z35965	
11	STRAW WALKER	NAPĘD ROZTRZĄSACZA SŁOMY	1	Z33774	
12	CUTTING TABLE	NAPĘD POŚREDNI HEDERA	1	Z46222	
12	CUTTING TABLE	NAPĘD POŚREDNI HEDERA	1	Z21403	
13	HEADER DRIVE	NAPĘD HEDERA	1	Z38186	
13	HEADER DRIVE	NAPĘD HEDERA	1	Z21501	
14	HEADER DRIVE	NAPĘD HEDERA	1	Z39312	
14	HEADER DRIVE	NAPĘD HEDERA	1	Z39313	
21	DISCHARGE DRIVE	NAPĘD WYSYPU	1	Z43253	
22	HYDRAULIC PUMP DRIVE	NAPĘD POMPY HYDRAULICZNEJ	1	Z42382	

X - not in standard offer / brak w standardowej ofercie

ITEM / POZYCJA	APPLICATION	OPIS	QUANTITY OF V-BELTS IN DRIVE / ILOŚĆ PASÓW W ZESPOLE	OE PART NUMBER / NUMER KATALOGOWY	COMMENT / UWAGI
1			1	AR72036	
2			1	Z34786	
3			1	Z32190	X
4			1	Z41178	X
5			1	Z34405	
6			1	Z53288	
7	-41201	-41201	1	Z45026	
8			1	Z35965	
9			1	Z33774	
10			1	Z33790	
11			1	Z38186	
11			1	Z21501	
12	1065 ONLY	1065	1	Z39313	
12	1065 ONLY	1065	1	Z39314	
12	1068H ONLY	1068H	1	Z39312	
13			1	Z42756	X
14	-33562	-33562	1	CA22534	
14	033563-	033563-	1	Z45482	
15			1	Z34828	
16			1	Z47911	
17	1065 ONLY	1065	1	AZ40077	
17	1068H ONLY	1068H	1	Z33967	
18	1065 ONLY	1065	1	Z34099	X
18	1068H ONLY	1068H	1	Z33967	
19			2	Z43863	

X - not in standard offer / brak w standardowej ofercie

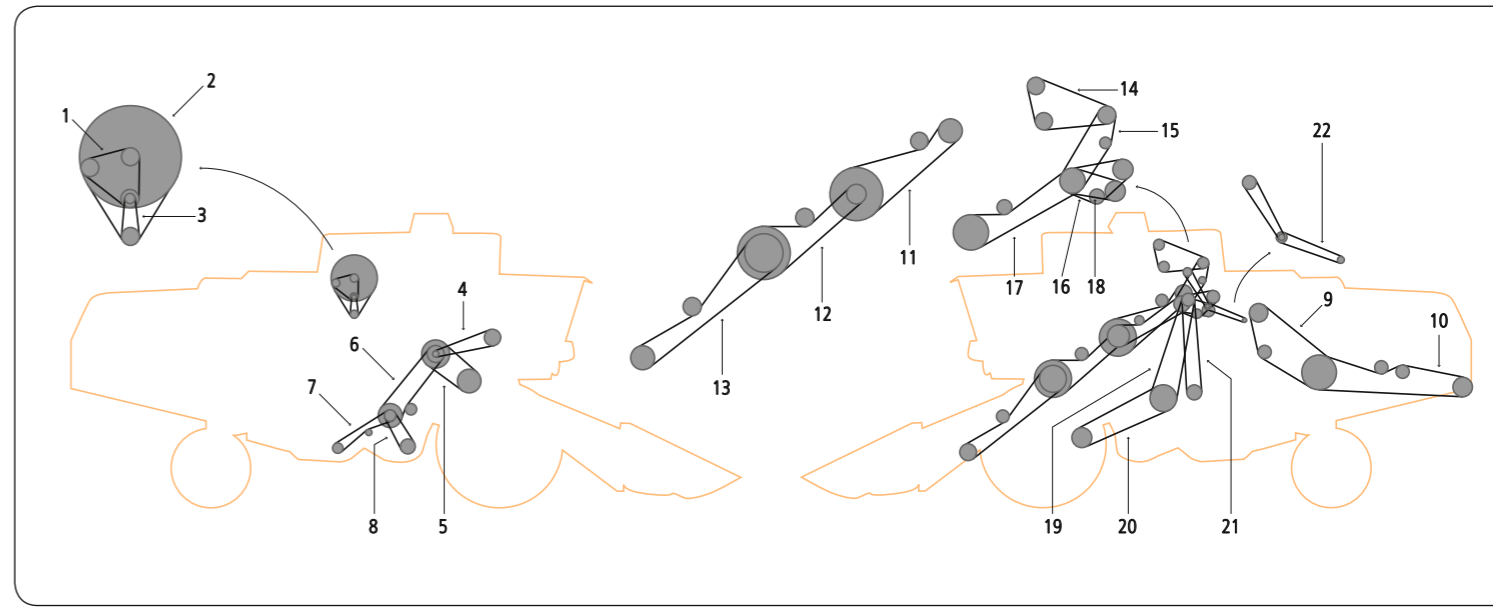
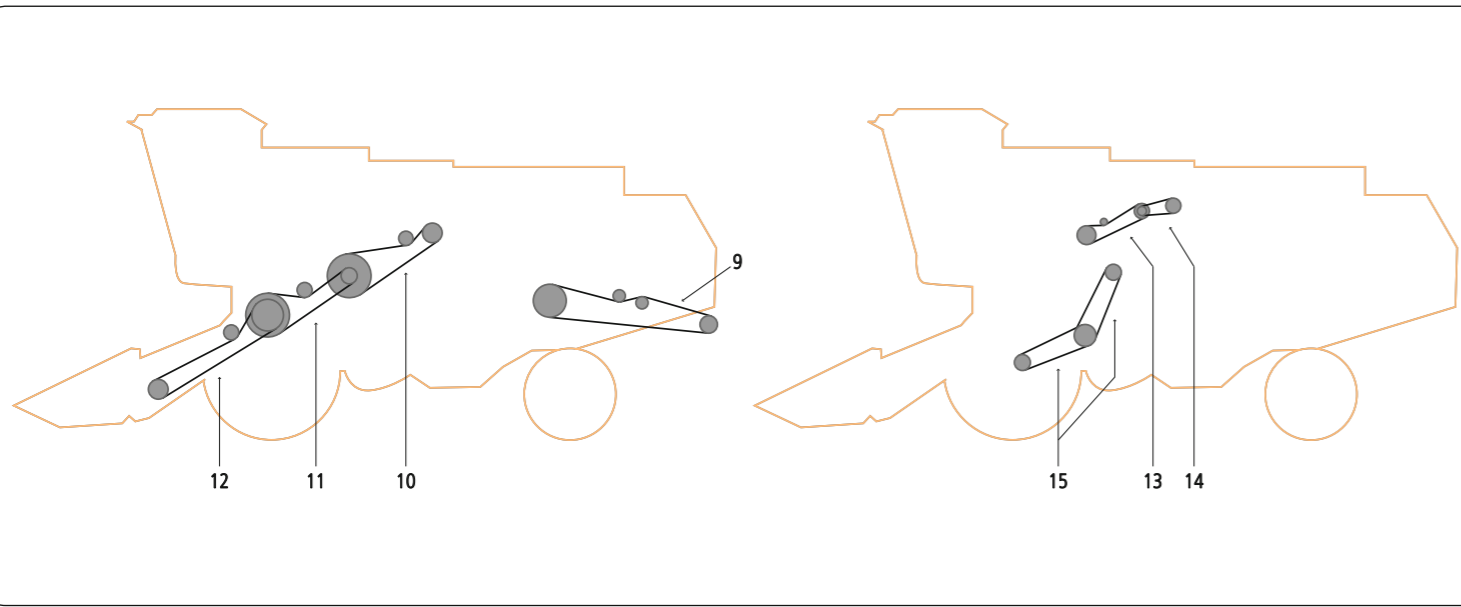


ITEM / POZYCJA	APPLICATION	OPIS	QUANTITY OF V-BELTS IN DRIVE / ILOŚĆ PASÓW W ZESPOLE	OE PART NUMBER / NUMER KATALOGOWY	COMMENT / UWAGI
0	CUTTING TABLE DRIVE (1072)	NAPĘD POŚREDNI HEDERA	1	Z39313	
1	FAN BELT (1075 - TO NR 44386)	PAS WENTYLATORA	1	AR72036	
1	FAN BELT (1072)	PAS WENTYLATORA	1	AT28030	
1	FAN BELT (1075 HY 4 - TO NO 44386)	PAS WENTYLATORA	1	H79235	
2	(1075 HY 4)		1	Z38149	X
3	(1075 HY 4)		1	Z38148	
4	1072 FROM NO 39787-1075-1075 HY4 FROM NO 44387		1	Z34786	
4	ROTARY SCREEN (1075 HY 4 - TO NO 44386)	NAPĘD KOSZA CHŁODNICY	1	Z37192	
5	ROTARY SCREEN (1072 - 1075)	NAPĘD KOSZA CHŁODNICY	1	Z32190	X
5	ROTARY SCREEN (1075 HY 4 - TO NO 44386)	NAPĘD KOSZA CHŁODNICY	1	Z37191	
5	ROTARY SCREEN (1075 HY 4 FROM NO 44387)	NAPĘD KOSZA CHŁODNICY	1	Z45191	X
6	CYLINDER VARI-DRIVE (1072)	NAPĘD BĘBNA MLÓCĄCEGO	1	Z20823	
6	CYLINDER DRIVE (1075 + 1075 HY 4)	NAPĘD BĘBNA MLÓCĄCEGO	1	Z37473	X
7	FAN VARI-DRIVE	NAPĘD WIALNI	1	Z34405	
8	FAN VARI-DRIVE	NAPĘD WIALNI	1	Z41178	X
9	(FROM NO 44137)		1	Z45026	
10	(1075 HY 4 - FROM NO 44387)		1	Z45192	X
11	SHAKER DRIVE	NAPĘD WYTRZĄSACZY POPRZECZNYCH	1	Z35965	
12	STRAW WALKER	WYTRZĄSACZ	1	Z33774	
13			1	Z33790	
14	MAIN DRIVE (GRAIN)	NAPĘD GŁÓWNY	1	Z21501	
14	MAIN DRIVE (MAIZE - 1075/1075 HY 4)	NAPĘD GŁÓWNY	1	Z38186	
15	CUTTING TABLE DRIVE (1075/1075 HY 4)	NAPĘD POŚREDNI HEDERA	1	Z39314	
21	AIR CONDITIONING	NAPĘD KLIMATYZACJI	1	Z42756	X
22			1	Z42757	
23	HYDRAULIC PUMP	POMPA HYDRAULICZNA	1	Z34828	
24	DISCHARGE DRIVE	NAPĘD WYSYPU	1	Z47911	
31	MAIN DRIVE (1075)	NAPĘD GŁÓWNY	2	AZ22914	
32	(-1075)		1	Z34099	X
33	(1075 HY 4)		1	Z41728	
41			1	Z43863	

X - not in standard offer / brak w standardowej ofercie

ITEM / POZYCJA	APPLICATION	OPIS	QUANTITY OF V-BELTS IN DRIVE / ILOŚĆ PASÓW W ZESPOLE	OE PART NUMBER / NUMER KATALOGOWY	COMMENT / UWAGI
1	FAN BELT (1085 TO NO 44387 - 1085 HY 4)	Pas wentylatora	1	H79236	
2	FAN DRIVE (TO NO 44386)	Napęd wentylatora	1	Z38703	X
3	FAN DRIVE (TO NO 44386)	Napęd wentylatora	1	Z38702	X
4	ROTARY SCREEN (1085 TO NO 44386 - 1085 HY4)	Napęd kosza chłodnicy	1	Z38704	
5	ROTARY SCREEN (1085 TO NO 44386 - 1085 HY4)	Napęd kosza chłodnicy	1	Z38692	X
6	CYLINDER VARI-DRIVE	Napęd bębna mlócającego	1	Z37473	X
7	FAN VARI-DRIVE	Napęd wialni	1	Z34405	
8	FAN VARI-DRIVE	Napęd wialni	1	Z41178	X
9	(1085 FROM NO 44387)		1	Z45191	X
10	(1085 FROM NO 44387)		1	Z34786	
11	(1085 FROM NO 44387)		1	H79235	
12	(1085 FROM NO 44387)		1	Z45192	X
12	(1085 HY 4 FROM NO 44387)		1	Z45367	
13	(FROM NO 44137)		1	Z45026	
21	SHAKER DRIVE	Napęd wytrząsaczy poprzecznych	1	Z35965	
22	STRAW WALKER	Wytrząsacz	1	Z33774	
23	CUTTING TABLE LEAD-IN (1085 FROM NO 44387)	Napęd pośredni hedera	1	Z33790	
23	CUTTING TABLE LEAD-IN (1085-TO NO 44386-1085 HY4)	Napęd pośredni hedera	1	Z38697	
24			1	Z43890	
31			1	Z42756	X
32	AIR CONDITIONING FROM NO 33563	Napęd klimatyzacji	1	Z42758	
33	HYDRAULIC PUMP	Pompa hydrauliczna	1	Z34828	
34			1	Z47912	
41	MAIN DRIVE (1085)	Napęd główny	2	AZ22914	
42	MAIN DRIVE (1085)	Napęd główny	1	Z34099	X
43	(1085 HY 4)		1	Z41563	
51			1	Z43863	

X - not in standard offer / brak w standardowej ofercie



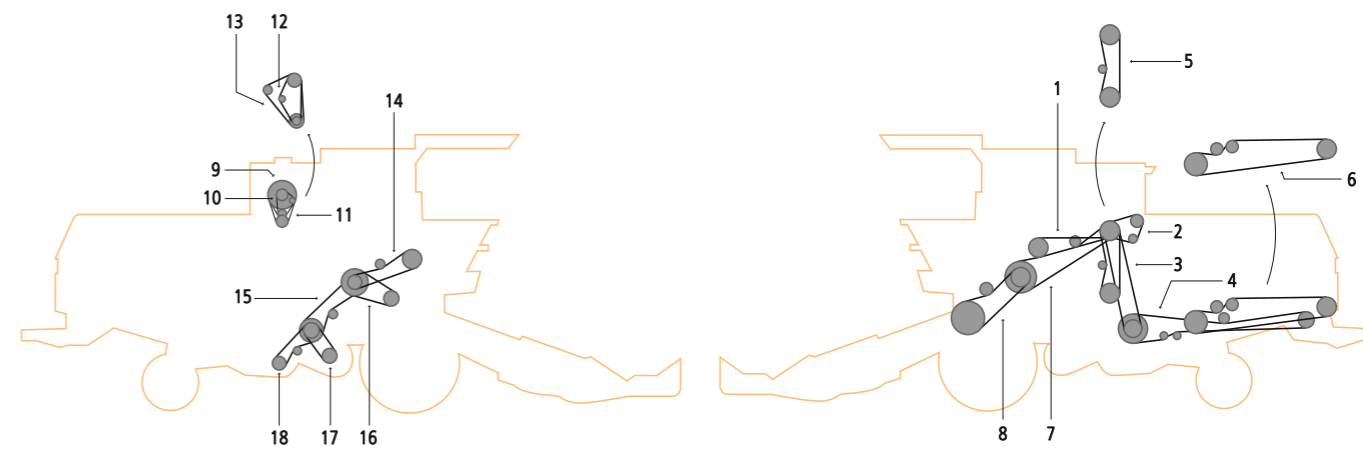
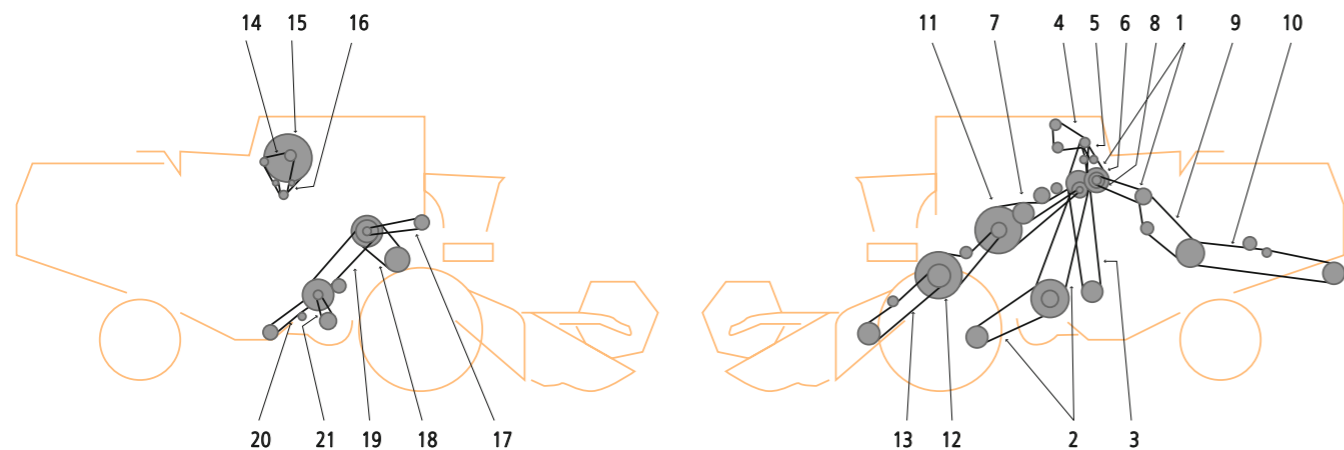
ITEM / POZYCJA	APPLICATION	OPIS	QUANTITY OF V-BELTS IN DRIVE / ILOŚĆ PASÓW W ZESPOLE	OE PART NUMBER / NUMER KATALOGOWY	COMMENT / UWAGI
1	1155 ONLY	1155	1	T20334	
1	1157 ONLY	1157	1	AT28030	
1	1158 ONLY	1158	1	AR72036	
2	1155, 1157 ONLY	1155, 1157	1	Z31283	
2	1158 ONLY	1158	1	Z38704	
3			1	Z32190	X
4			1	Z20459	X
5			1	Z34405	
6			1	Z53288	
7			1	Z20743	
8			1	Z35965	
9			1	Z33774	
10			1	Z46222	
11			1	Z21501	
12			1	Z39313	
12			1	Z39312	
13			1	Z43253	
14			1	Z42382	
15			2	Z34121	

X - not in standard offer / brak w standardowej ofercie

ITEM / POZYCJA	APPLICATION	OPIS	QUANTITY OF V-BELTS IN DRIVE / ILOŚĆ PASÓW W ZESPOLE	OE PART NUMBER / NUMER KATALOGOWY	COMMENT / UWAGI
1			1	AR72036	
2	1166H4 ONLY	1166H4	1	Z46764	
2	1166 ONLY	1166	1	Z34786	
3			1	Z32190	X
4			1	Z45026	
5			1	Z53288	
5			1	Z44936	X
6			1	Z46366	
7			1	Z47912	
8			1	Z46365	
9			1	Z35965	
10			1	Z32041	
11			1	Z33790	
12			1	Z38186	
12			1	Z21501	
13			1	Z39313	
13			1	Z39314	
14	1166H4 ONLY	1166H4	1	Z42756	X
15	1166H4 ONLY	1166H4	1	Z45482	
16			1	Z34828	
17			1	Z51212	
18			1	Z46759	X
19	1166 ONLY	1166	1	AZ37807	
20	1167 ONLY	1167	1	Z34099	X
21	1166H4 ONLY	1166H4	1	Z53290	
22	1166 ONLY	1166	2	Z43863	

X - not in standard offer / brak w standardowej ofercie



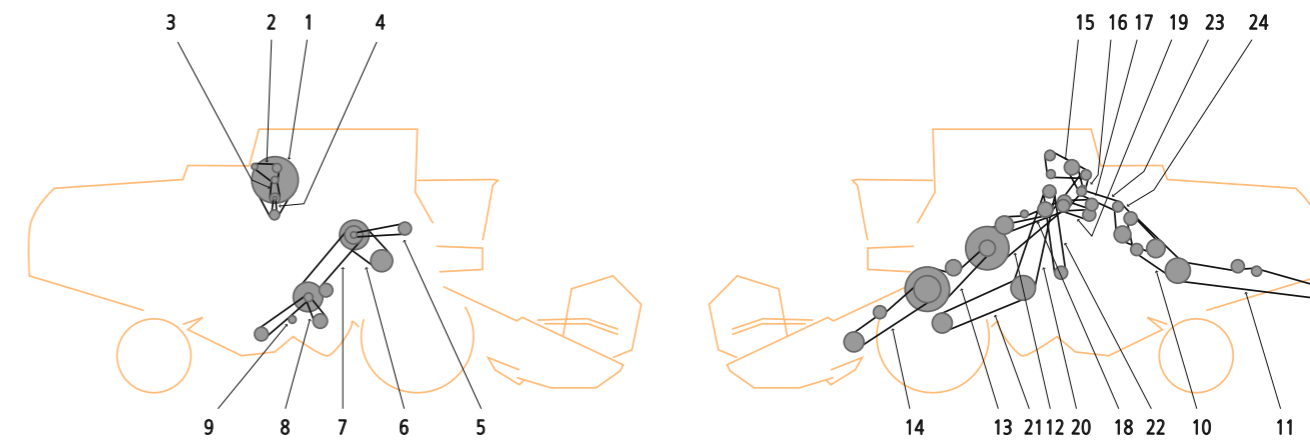
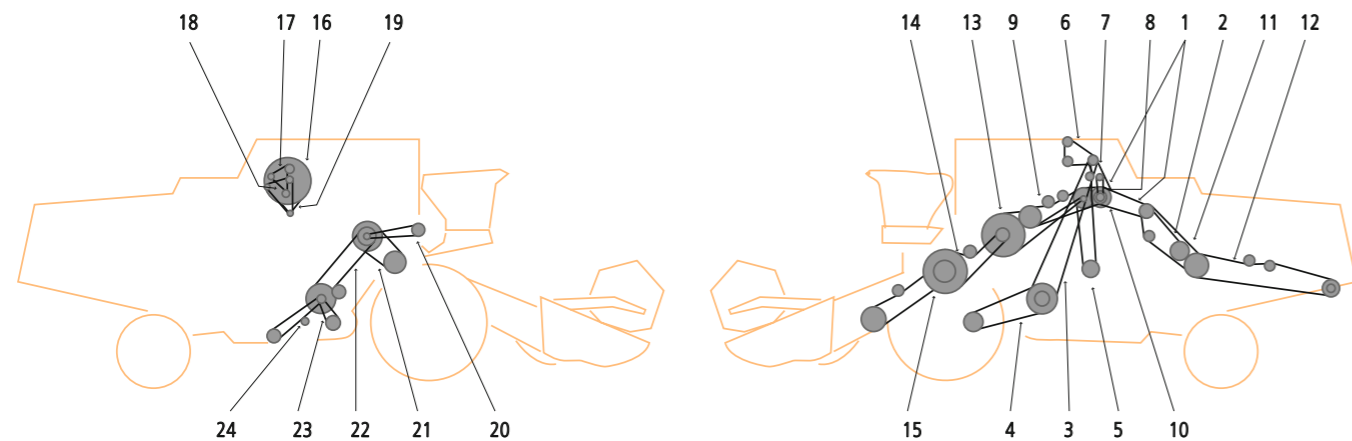


ITEM / POZYCJA	APPLICATION	OPIS	QUANTITY OF V-BELTS IN DRIVE / ILOŚĆ PASÓW W ZESPOLE	OE PART NUMBER / NUMER KATALOGOWY	COMMENT / UWAGI
3	HYDRAULIC PUMP DRIVE	NAPĘD POMPY HYDRAULICZNEJ	1	Z53290	
4	AIR CONDITIONING	NAPĘD WENTYLATORA KLIMATYZACJI	1	Z42756	X
5	AIR CONDITIONING	NAPĘD WENTYLATORA KLIMATYZACJI	1	Z45482	
6	HYDRAULIC PUMP DRIVE	NAPĘD POMPY HYDRAULICZNEJ	1	Z34828	
7	UNLOADER DRIVE	NAPĘD WYSYPU	1	Z51212	
8	AIR CONDITIONING COMPRESSOR	NAPĘD KOMPRESORA KLIMATYZACJI	1	Z46759	X
9	STRAW WALKER DRIVE	NAPĘD WYTRZAŚCZA POPRZECZNEGO	1	Z35965	
10	STRAW WALKER	NAPĘD ROZTRZAŚCZA SŁOMY	1	Z32041	
11	CUTTING TABLE	NAPĘD POŚREDNI HEDERA	1	Z33790	
12	CUTTING TABLE	NAPĘD POŚREDNI HEDERA	1	Z38186	
12	CUTTING TABLE	NAPĘD POŚREDNI HEDERA	1	Z21501	
13	HEADER DRIVE	NAPĘD HEDERA	1	Z39312	
14	WATER PUMP DRIVE	NAPĘD POMPY WODNEJ	1	AR72036	
15	COOLER	NAPĘD ROTORA KOSZA CHŁODNICY	1	Z46764	
16	COOLER	NAPĘD ROTORA KOSZA CHŁODNICY	1	Z32190	X
17	UNLOADER DRIVE	NAPĘD WYSYPU	1	Z45026	
18	THROW OFF DRIVE	NAPĘD ODRZUTNIKA SŁOMY	1	Z20823	
19	STRAW WALKER DRIVE	NAPĘD WYTRZAŚCZY	1	Z46366	
20	STRAW WALKER DRIVE	NAPĘD WYTRZAŚCZY	1	Z47912	
21	CLEANING FAN DRIVE	NAPĘD WIALNI CZYSZCZĄCEJ	1	Z46365	

X - not in standard offer / brak w standardowej ofercie

ITEM / POZYCJA	APPLICATION	OPIS	QUANTITY OF V-BELTS IN DRIVE / ILOŚĆ PASÓW W ZESPOLE	OE PART NUMBER / NUMER KATALOGOWY	COMMENT / UWAGI
1			1	CQ03265	
2			1	CQ17755	
3			1	CQ34345	
4			1	CQ28344	X
5			1	Z46709	
6			1	CQ03478	
7			1	Z46463	
8			1	Z43890	
9			1	CQ08239	
10			1		
11			1	S17044	X
12			1	CQ03492	
13			1	R123451	X
14			1	Z45026	
15			1	SA00601	
16			1	Z44936	X
17			1	Z41178	X
18	-38094	-38094	1	CQ13837	
18	038095-	038095-	1	CQ31965	

X - not in standard offer / brak w standardowej ofercie

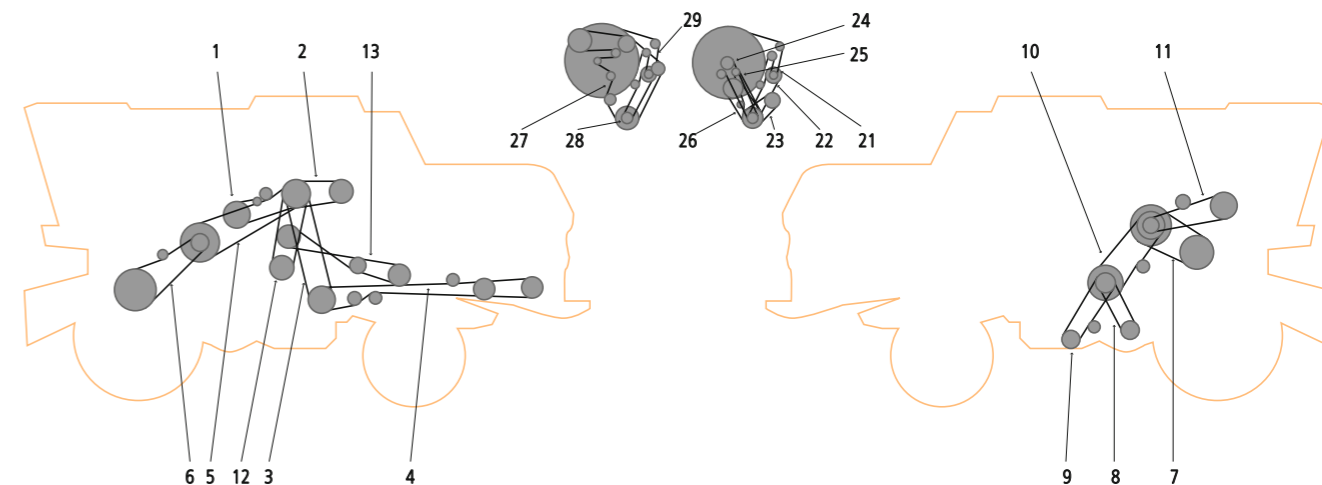
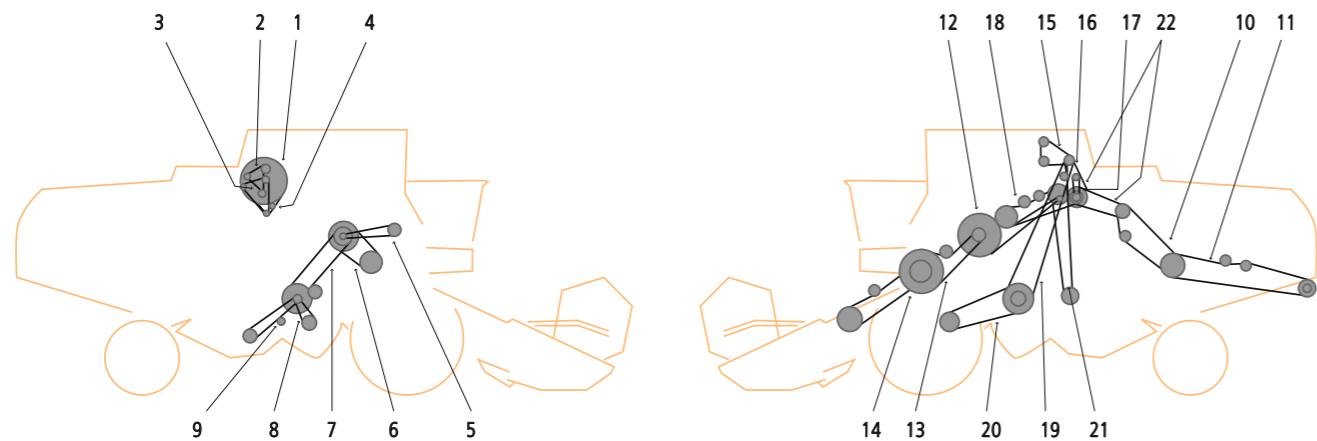


ITEM / POZYCJA	APPLICATION	OPIS	QUANTITY OF V-BELTS IN DRIVE / ILOŚĆ PASÓW W ZESPOLE	OE PART NUMBER / NUMER KATALOGOWY	COMMENT / UWAGI
1	AIR CONDITIONING	NAPĘD WENTYLATORA KLIMATYZACJI	1	Z43863	
2	COOLER	NAPĘD ROTORA KOSZA CHŁODNICY	1	Z38704	
3	GROUND SPEED DRIVE	NAPĘD JAZDY	2	AZ37807	
4	GROUND SPEED DRIVE	NAPĘD JAZDY	1	Z34099	X
5	HYDROSTATIC PUMP DRIVE / 1174 HY 4	NAPĘD POMPY HYDROSTATYCZNEJ / 1174 HY 4	1	Z41728	
6	AIR CONDITIONING	NAPĘD WENTYLATORA KLIMATYZACJI	1	Z42756	X
7	AIR CONDITIONING	NAPĘD WENTYLATORA KLIMATYZACJI	1	Z45482	
8	HYDRAULIC PUMP DRIVE	NAPĘD POMPY HYDRAULICZNEJ	1	Z34828	
9	UNLOADER DRIVE	NAPĘD WYSYPU	1	Z51212	
10	AIR CONDITIONING COMPRESSOR	NAPĘD KOMPRESORA KLIMATYZACJI	1	Z46759	X
11	SHAKER DRIVE	NAPĘD WYTRZĄSACZY POPRZECZNYCH	1	Z35965	
12	STRAW WALKER	NAPĘD ROZTRZĄSACZA SŁOMY	1	Z32041	
13	CUTTING TABLE	NAPĘD POŚREDNI HEDERA	1	Z33790	
14	CUTTING TABLE	NAPĘD POŚREDNI HEDERA	1	Z38186	
14	CUTTING TABLE	NAPĘD POŚREDNI HEDERA	1	Z21501	
15	HEADER DRIVE	NAPĘD HEDERA	1	Z39313	
15	HEADER DRIVE	NAPĘD HEDERA	1	Z39314	
16	AIR CONDITIONING	NAPĘD ROTORA KOSZA CHŁODNICY	1	Z46764	
16	AIR CONDITIONING WITH SEPARATE CONDENSER COOLING	NAPĘD ROTORA KOSZA CHŁODNICY	1	Z38704	
17	WATER PUMP DRIVE	NAPĘD POMPY WODNEJ	1	AR72036	
18	AIR CONDITIONING / 1174 HY 4	NAPĘD WENTYLATORA / 1174 HY 4	1	Z45367	
19	COOLER	NAPĘD ROTORA KOSZA CHŁODNICY	1	Z32190	X
19	COOLER	NAPĘD ROTORA KOSZA CHŁODNICY	1	Z38692	X
20	ELEVATOR DRIVE	NAPĘD PRZENOŚNIKA	1	Z45026	
21	CYLINDER DRIVE	NAPĘD ODRZUTNIKA	1	Z20823	
21	CYLINDER DRIVE	NAPĘD BĘBNA MŁÓCĄCEGO	1	Z44936	X
22	STRAW WALKER DRIVE	NAPĘD WYTRZĄSACZY	1	Z46366	
23	CLEANING FAN DRIVE	NAPĘD WIALNI CZYSZCZĄCEJ	1	Z46365	
24	STRAW WALKER DRIVE	NAPĘD WYTRZĄSACZY	1	Z47912	

X - not in standard offer / brak w standardowej ofercie

ITEM / POZYCJA	APPLICATION	OPIS	QUANTITY OF V-BELTS IN DRIVE / ILOŚĆ PASÓW W ZESPOLE	OE PART NUMBER / NUMER KATALOGOWY	COMMENT / UWAGI
1	COOLER	NAPĘD ROTORA KOSZA CHŁODNICY	1	Z46764	
1	COOLER	NAPĘD CHŁODNICY	1	Z38704	
2	WATER PUMP DRIVE	NAPĘD POMPY WODNEJ	1	H79236	
2	WATER PUMP, FAN, ALTERNATOR / 1177	NAPĘD POMPY WODNEJ, WENTYLATORA / 1177	2	AR72036	
3	AIR CONDITIONING	NAPĘD WENTYLATORA	1	Z45367	
4	COOLER	NAPĘD ROTORA KOSZA CHŁODNICY	1	Z38692	X
5	ELEVATOR DRIVE	NAPĘD PRZENOŚNIKA	1	Z45026	
6	CYLINDER DRIVE	NAPĘD BĘBNA MŁOCARNI, ODRZUTNIKA	1	Z44936	X
7	STRAW WALKER DRIVE	NAPĘD WYTRZĄSACZY, WIALNI CZYSZCZĄCEJ	1	Z46366	
8	CLEANING FAN DRIVE	NAPĘD WIALNI CZYSZCZĄCEJ	1	Z46365	
9	STRAW WALKER DRIVE	NAPĘD WYTRZĄSACZY, WIALNI CZYSZCZĄCEJ	1	Z47912	
10	SHAKER DRIVE	NAPĘD WYTRZĄSACZY POPRZECZNYCH	1	Z35965	
11	STRAW WALKER	NAPĘD ROZTRZĄSACZA SŁOMY	1	Z32041	
12	CUTTERBAR DRIVE / 1177	NAPĘD POŚREDNI HEDERU, ODRZUTNIKA / 1177	1	Z33790	
13	CUTTERBAR DRIVE / 1177 HY4	NAPĘD POŚREDNI HEDERU, ODRZUTNIKA / 1177 HY4	1	Z38697	
13	CUTTERBAR DRIVE	NAPĘD POŚREDNI HEDERU, ODRZUTNIKA	1	Z38186	
14	HEADER DRIVE	NAPĘD HEDERA	1	Z39314	
15	AIR CONDITIONING	NAPĘD WENTYLATORA KLIMATYZACJI	1	Z42756	X
16	AIR CONDITIONING / 1177 HY4	NAPĘD WENTYLATORA KLIMATYZACJI / 1177 HY4	1	Z42757	
16	AIR CONDITIONING / 1177	NAPĘD WENTYLATORA KLIMATYZACJI / 1177	1	Z45482	
17	HYDRAULIC PUMP DRIVE	NAPĘD POMPY HYDRAULICZNEJ	1	Z34828	
18	UNLOADER DRIVE	NAPĘD WYSYPU	1	Z51212	
19	AIR CONDITIONING COMPRESSOR	NAPĘD KOMPRESORA KLIMATYZACJI	1	Z46759	X
20	GROUND SPEED DRIVE / 1177	NAPĘD JAZDY / 1177	2	AZ37807	
21	GROUND SPEED DRIVE / 1177	NAPĘD JAZDY / 1177	1	Z34099	X
22	HYDROSTATIC PUMP DRIVE / 1177 HY4	NAPĘD POMPY HYDROSTATYCZNEJ / 1177 HY4	1	Z46709	
23	AIR CONDITIONING	NAPĘD WENTYLATORA SSĄCEGO KLIMATYZACJI	1	Z43863	
24	COOLER	NAPĘD ROTORA KOSZA CHŁODNICY	1	Z38704	

X - not in standard offer / brak w standardowej ofercie

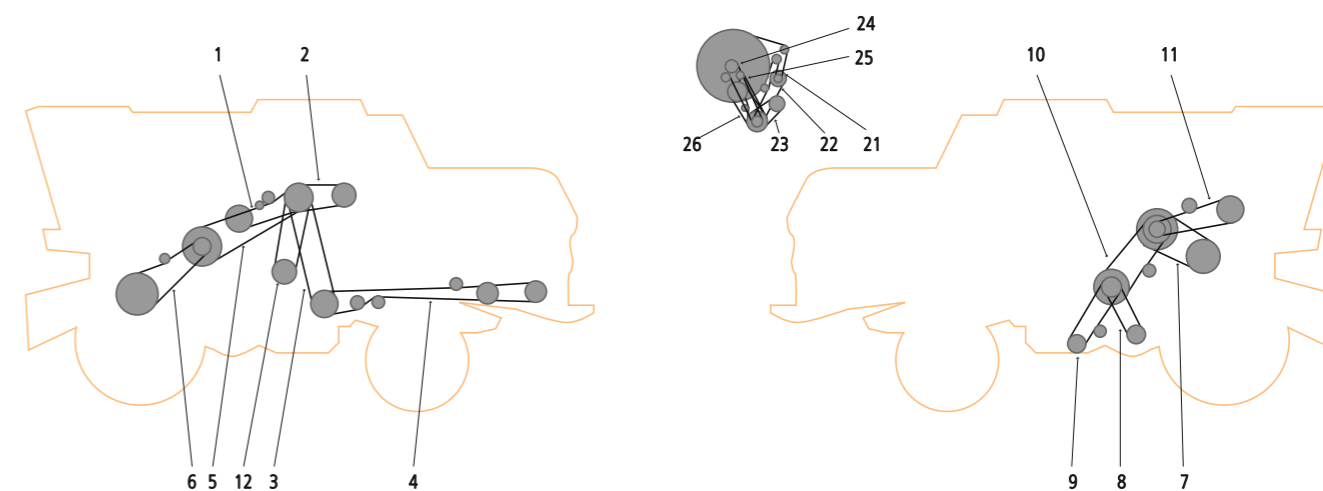
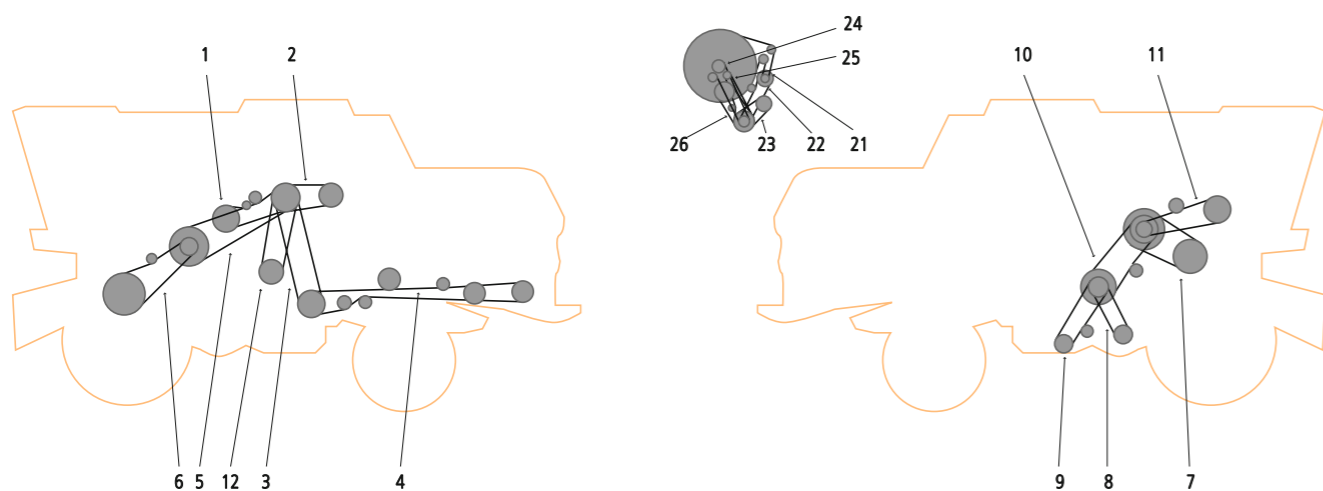


ITEM / POZYCJA	APPLICATION	OPIS	QUANTITY OF V-BELTS IN DRIVE / ILOŚĆ PASÓW W ZESPOLE	OE PART NUMBER / NUMER KATALOGOWY	COMMENT / UWAGI
0	CHOPPER DRIVE	NAPĘD SIECZKARNI	1	Z51707	
1	AIR CONDITIONING	NAPĘD WENTYLATORA SSAĆEGO KLIMATYZACJI	1	Z38704	
2	WATER PUMP DRIVE	NAPĘD POMPY WODNEJ	1	H79236	
3	AIR CONDITIONING	NAPĘD WENTYLATORA	1	Z45367	
4	ROTARY SCREEN DRIVE	NAPĘD ZESPOŁU ROTORA KOSZA CHŁODNICY	1	Z38692	X
5	ELEVATOR DRIVE	NAPĘD PRZENOŚNIKA	1	Z45026	
6	CYLINDER DRIVE	NAPĘD BĘBNA MŁÓCĄCEGO	1	Z44936	X
7	SHAKER SHOE DRIVE	NAPĘD KOSZA SITOWEGO	1	Z46366	
8	CLEANING FAN DRIVE	NAPĘD WIALNI CZYSZCZĄCEJ	1	Z46365	
9	RETURNS AUGER	NAPĘD ZESPOŁU WIALNI	1	Z47912	
10	STRAW WALKER DRIVE	NAPĘD WYTRZĄSACZY	1	Z35965	
11	STRAW WALKER	NAPĘD ROZTRZĄSACZA SŁOMY	1	Z32041	
12	CUTTING TABLE	NAPĘD POŚREDNI HEDERA	1	Z46463	
13	IMPELLER DRUM DRIVE	NAPĘD POŚREDNI ODRZUTNIKA	1	Z43890	
14	STRAW ELEVATOR DRIVE	NAPĘD PRZEKŁADNI PRZENOŚNIKA POCHYLEGO	1	Z43888	
14	ELEVATOR DRIVE	NAPĘD PRZENOŚNIKA	1	Z43889	
15	AIR CONDITIONING	NAPĘD WENTYLATORA	1	Z42756	X
17	HYDRAULIC PUMP DRIVE	NAPĘD POMPY HYDRAULICZNEJ	1	Z34828	
18	UNLOADER DRIVE	NAPĘD WYSYPU	1	Z51212	
20	GROUND SPEED DRIVE / 1188	NAPĘD JAZDY / 1188	1	Z34099	X
22	AIR CONDITIONING	NAPĘD WENTYLATORA KLIMATYZACJI	1	Z43863	

X - not in standard offer / brak w standardowej ofercie

ITEM / POZYCJA	APPLICATION	OPIS	QUANTITY OF V-BELTS IN DRIVE / ILOŚĆ PASÓW W ZESPOLE	OE PART NUMBER / NUMER KATALOGOWY	COMMENT / UWAGI
1			1	CQ03265	
2			1	CQ17755	
3			1	CQ35426	
4			1	CQ39824	
5			1	Z46463	
6			1	Z43890	
7	CYLINDER DRIVE	NAPĘD BĘBNA MŁÓCĄCEGO	1	Z44936	X
8	FAN DRIVE	NAPĘD WENTYLATORA	1	Z41178	X
9			1	CQ31965	
10			1	SA00601	
11			1	Z45026	
12			1	Z46709	
13			1	CQ42150	
21	COOLING FAN	NAPĘD POMPY WODNEJ	1	H145158	X
21	COOLING FAN	NAPĘD POMPY WODNEJ	1	H145158	X
22			1	CQ37755	
22			1	CQ37755	
23			1	M82461	X
23			1	M82461	X
24			1	CQ40222	
24			1	CQ40222	
25				CQ42066	X
25				CQ42066	X
26			1	M45862	X
26			1	M45862	X
27				CQ71839	X
27				CQ71839	X
27				CQ71838	X
28				CQ72707	X
28				CQ72707	X
28				CQ72707	X
29				CQ61084	X
29				CQ61084	X
29				CQ61084	X

X - not in standard offer / brak w standardowej ofercie

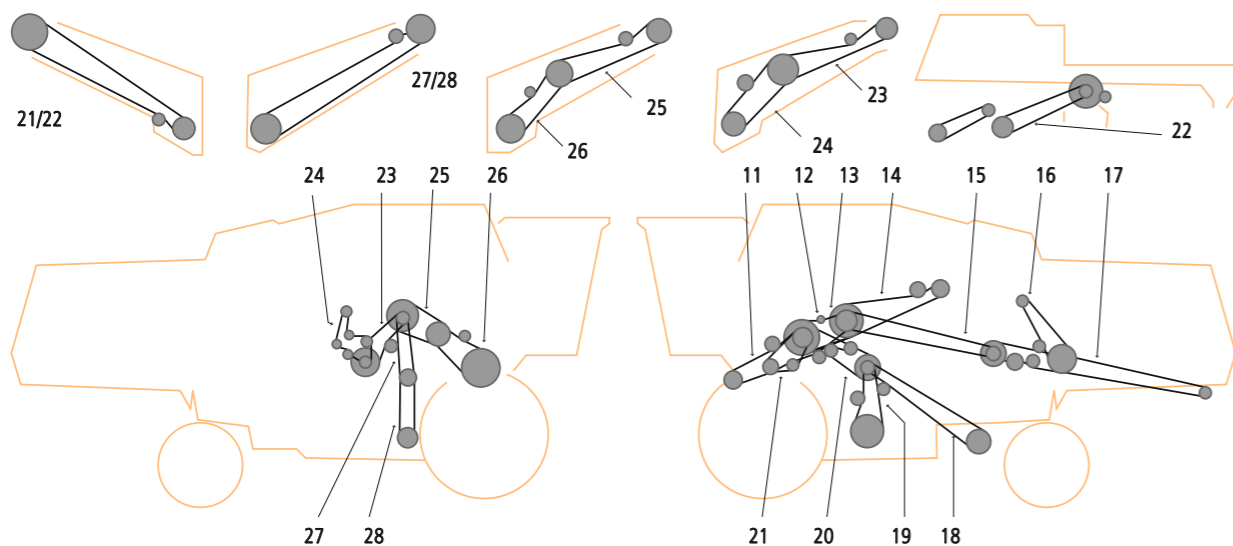


ITEM / POZYCJA	APPLICATION	OPIS	QUANTITY OF V-BELTS IN DRIVE / ILOŚĆ PASÓW W ZESPOLE	OE PART NUMBER / NUMER KATALOGOWY	COMMENT / UWAGI
1			1	CQ03265	
2				CQ74130	X
3			1	CQ35426	
4			1	CQ39824	
4				CQ35559	
5			1	Z46463	
6			1	Z43890	
7	CYLINDER DRIVE	NAPĘD BĘBNA MŁÓCĄCEGO	1	Z44936	X
8	FAN DRIVE	NAPĘD WENTYLATORA	1	Z41178	X
9			1	CQ31965	
10			1	SA00601	
11			1	Z45026	
12			1	Z46709	
21	COOLING FAN	NAPĘD POMPY WODNEJ	1	H145158	X
22			1	CQ37755	
23			1	M82461	X
24			1	CQ40222	
25				CQ45617	X
26			1	M45862	X

X - not in standard offer / brak w standardowej ofercie

ITEM / POZYCJA	APPLICATION	OPIS	QUANTITY OF V-BELTS IN DRIVE / ILOŚĆ PASÓW W ZESPOLE	OE PART NUMBER / NUMER KATALOGOWY	COMMENT / UWAGI
1			1	CQ03265	
2	EUROPEN EDITION	EDYCJA EUROPEJSKA	1	CQ75223	X
2	SOUTH AMERICAN EDITION	EDYCJA NA AMERYKĘ POŁUDNIOWĄ		CQ74130	X
3			1	CQ35426	
4			1	CQ39824	
4				CQ35559	
5			1	Z46463	
6			1	Z43890	
7	CYLINDER DRIVE	NAPĘD BĘBNA MŁÓCĄCEGO	1	Z44936	X
8	FAN DRIVE	NAPĘD WENTYLATORA	1	Z41178	X
9			1	CQ31965	
10			1	SA00601	
11			1	Z45026	
12			1	Z46709	
21	COOLING FAN	NAPĘD POMPY WODNEJ	1	H145158	X
22			1	CQ37755	
23			1	M82461	X
24				CQ35531	
25				CQ40221	X
26			1	M45862	X

X - not in standard offer / brak w standardowej ofercie

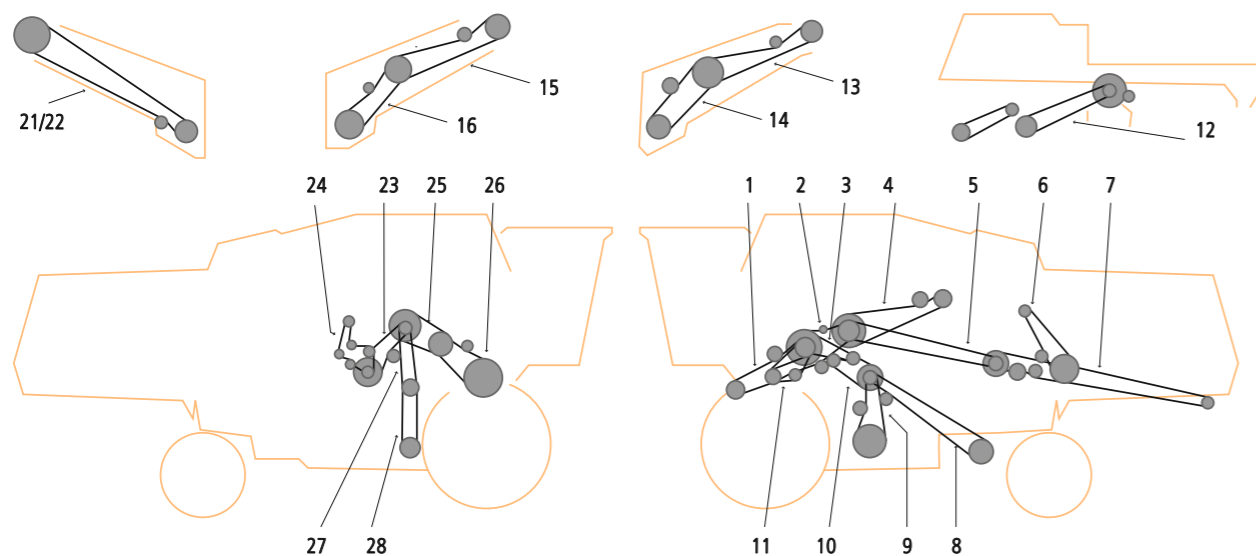


ITEM / POZYCJA	APPLICATION	OPIS	QUANTITY OF V-BELTS IN DRIVE / ILOŚĆ PASÓW W ZESPOLE	OE PART NUMBER / NUMER KATALOGOWY	COMMENT / UWAGI
26	ELEVATOR DRIVE	NAPĘD PRZENOŚNIKA	1	Z61153	
26	ELEVATOR DRIVE	NAPĘD PRZENOŚNIKA	1	Z61827	
26	ELEVATOR DRIVE	NAPĘD PRZENOŚNIKA	1	Z62213	
26	ELEVATOR DRIVE	NAPĘD PRZENOŚNIKA	1	Z55459	
27	ELEVATOR DRIVE	NAPĘD PRZENOŚNIKA	1	Z61164	
27	ELEVATOR DRIVE	NAPĘD PRZENOŚNIKA	1	Z62551	
27	ELEVATOR DRIVE	NAPĘD PRZENOŚNIKA	1	Z54406	
27	ELEVATOR DRIVE	NAPĘD PRZENOŚNIKA	1	Z62214	
28	ELEVATOR DRIVE	NAPĘD PRZENOŚNIKA	1	Z60930	
28	ELEVATOR DRIVE	NAPĘD PRZENOŚNIKA	1	Z62552	

X - not in standard offer / brak w standardowej ofercie

ITEM / POZYCJA	APPLICATION	OPIS	QUANTITY OF V-BELTS IN DRIVE / ILOŚĆ PASÓW W ZESPOLE	OE PART NUMBER / NUMER KATALOGOWY	COMMENT / UWAGI
1	ELEVATOR DRIVE	NAPĘD PRZENOŚNIKA	1	Z61151	
1			1	Z54406	
1			1	Z55801	
2	ELEVATOR DRIVE	NAPĘD PRZENOŚNIKA	1	Z58752	
2	HEADER DRIVE	NAPĘD HEDERA	1	Z59419	
3	GRAIN ELEVATOR	ELEWATOR ZIARNA	1	Z59556	
3	GRAIN ELEVATOR	ELEWATOR ZIARNA	1	Z63005	
4	GRAIN ELEVATOR	ELEWATOR ZIARNA	1	Z59557	
5	THRESHING MACHINE	NAPĘD MŁOCARNI	1	Z44936	X
6	THRESHING MACHINE	NAPĘD MŁOCARNI	1	Z61858	
7			1	Z62110	
8			1	Z62111	
11	FEEDER DRIVE	NAPĘD ZESPOŁU PRZENOŚNIKA POCHYLEGO	1	Z59344	
12	HYDRAULIC PUMP DRIVE	NAPĘD POMPY HYDRAULICZNEJ	1	Z57084	
13	IMPELLER DRUM DRIVE	NAPĘD WSTECZNY ODRZUTNIKA	1	Z64912	
13	IMPELLER DRUM DRIVE	NAPĘD WSTECZNY ODRZUTNIKA	1	Z61150	
13	IMPELLER DRUM DRIVE	NAPĘD WSTECZNY ODRZUTNIKA	1	Z52909	
14	MAIN BELT	PAS GŁÓWNY	1	Z61857	
15	STRAW CHOPPER DRIVE	NAPĘD ROZDRABNIACZA SŁOMY	1	Z59286	
16	STRAW WALKER DRIVE	NAPĘD WYTRZĄSACZA POPRZECZNEGO	1	Z59114	
17	STRAW CHOPPER DRIVE	NAPĘD ROZDRABNIACZA SŁOMY	1	Z59342	
18	ELEVATOR DRIVE	NAPĘD PRZENOŚNIKA	1	Z60135	
19	SHAKER SHOE DRIVE	NAPĘD KOSZA SITOWEGO	1	Z59322	
20	STRAW WALKER INTERMEDIATE SHAFT DRIVE	NAPĘD POŚREDNI ZESPOŁU WYTRZĄSACZY	1	Z56959	
21	IMPELLER DRUM DRIVE	NAPĘD WSTECZNY ODRZUTNIKA	1	Z56421	
22	UNLOADER DRIVE	NAPĘD WYSYPU	1	Z48212	
23	ELEVATOR DRIVE	NAPĘD PRZENOŚNIKA	1	Z61152	
23	ELEVATOR DRIVE	NAPĘD PRZENOŚNIKA	1	Z60931	
24	ELEVATOR DRIVE	NAPĘD PRZENOŚNIKA	1	Z61154	X
24	ELEVATOR DRIVE	NAPĘD PRZENOŚNIKA	1	Z62211	X
25	ELEVATOR DRIVE	NAPĘD PRZENOŚNIKA	1	Z61152	
25	ELEVATOR DRIVE	NAPĘD PRZENOŚNIKA	1	Z60931	
25	ELEVATOR DRIVE	NAPĘD PRZENOŚNIKA	1	Z54807	
25	ELEVATOR DRIVE	NAPĘD PRZENOŚNIKA	1	Z58751	

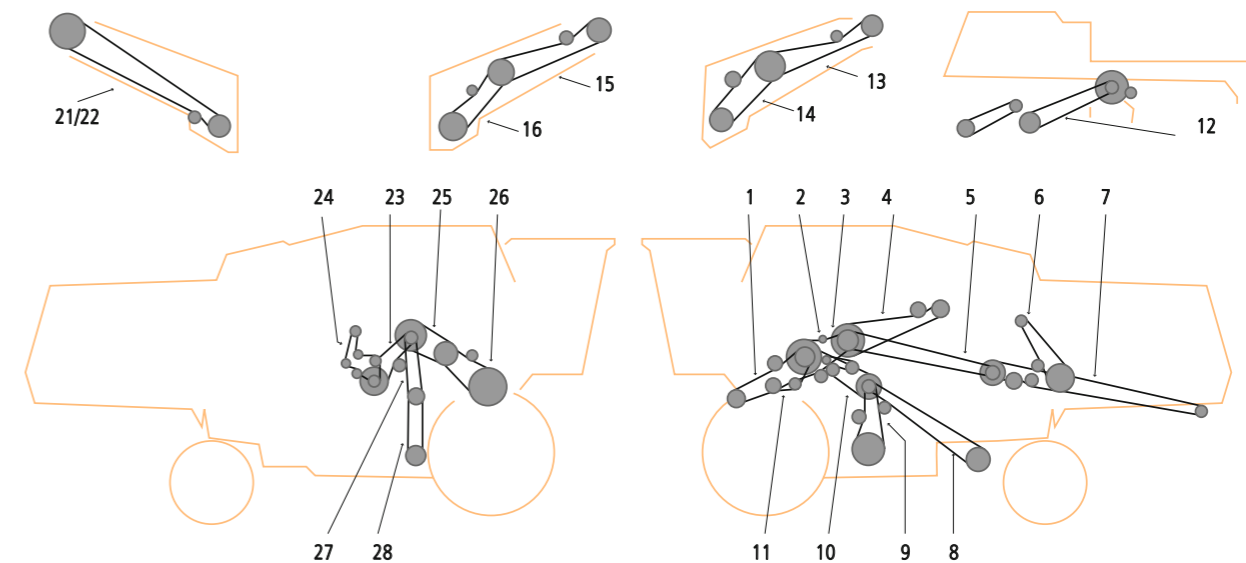
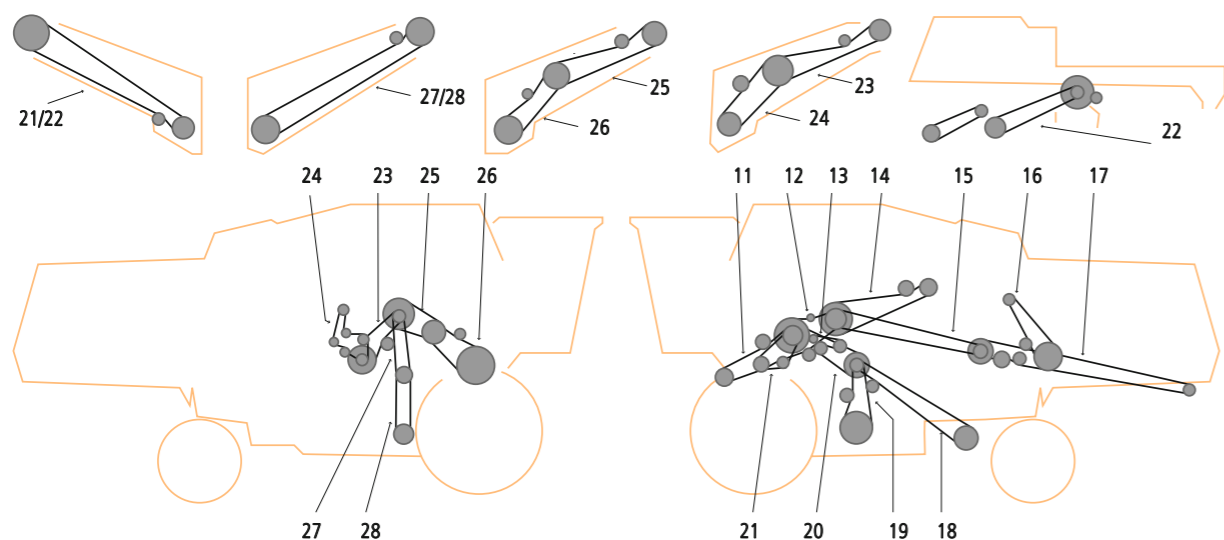




ITEM / POZYCJA	APPLICATION	OPIS	QUANTITY OF V-BELTS IN DRIVE / ILOŚĆ PASÓW W ZESPOLE	OE PART NUMBER / NUMER KATALOGOWY	COMMENT / UWAGI
25	DRUM - BEATER SHAFT	NAPĘD MŁOCARNI	1	Z44936	X
26	MAIN SHAFT DRIVE	NAPĘD MŁOCARNI	1	Z61858	
27			1	Z62110	
28	CLEANING FAN	NAPĘD WIALNI	1	Z62111	

X - not in standard offer / brak w standardowej ofercie

ITEM / POZYCJA	APPLICATION	OPIS	QUANTITY OF V-BELTS IN DRIVE / ILOŚĆ PASÓW W ZESPOLE	OE PART NUMBER / NUMER KATALOGOWY	COMMENT / UWAGI
1	FEEDER DRIVE	NAPĘD ZESPOŁU PRZENOŚNIKA POCHYLEGO	1	Z59344	
1	FEEDER DRIVE	NAPĘD ZESPOŁU PRZENOŚNIKA POCHYLEGO	1	Z61151	
2	HYDRAULIC REEL DRIVE	NAPĘD HYDRAULICZNY MOTOWIDEŁ	1	Z57084	
3	IMPELLER DRUM DRIVE	NAPĘD WSTECZNY ODRZUTNIKA	1	Z64912	
3	IMPELLER DRUM DRIVE	NAPĘD WSTECZNY ODRZUTNIKA	1	Z61150	
3	IMPELLER DRUM DRIVE	NAPĘD WSTECZNY ODRZUTNIKA	1	Z52909	
4	MAIN BELT	PAS GŁÓWNY	1	Z61857	
5	STRAW CHOPPER DRIVE	NAPĘD ROZDRABNIACZA SŁOMY	1	Z59286	
6	STRAW WALKER DRIVE	NAPĘD WYTRZĄSACZA POPRZECZNEGO	1	Z59114	
7	STRAW CHOPPER DRIVE	NAPĘD ROZDRABNIACZA SŁOMY	1	Z59342	
8	ELEVATOR DRIVE	NAPĘD PRZENOŚNIKA	1	Z60135	
9	IMPELLER DRUM DRIVE	NAPĘD WSTECZNY ODRZUTNIKA	1	Z56421	
10	STRAW WALKER INTERMEDIATE SHAFT DRIVE	NAPĘD POŚREDNI ZESPOŁU WYTRZĄSACZY	1	Z56959	
11	SHAKER SHOE DRIVE	NAPĘD KOSZA SITOWEGO	1	Z59322	
12	UNLOADER DRIVE	NAPĘD WYSYPU	1	Z48212	
12	ELEVATOR DRIVE	NAPĘD PRZENOŚNIKA	1	Z59419	
13	ELEVATOR DRIVE	NAPĘD PRZENOŚNIKA	1	Z61152	
13	ELEVATOR DRIVE	NAPĘD PRZENOŚNIKA	1	Z60931	
14	ELEVATOR DRIVE	NAPĘD PRZENOŚNIKA	1	Z61154	X
14	ELEVATOR DRIVE	NAPĘD PRZENOŚNIKA	1	Z62211	X
15	ELEVATOR DRIVE	NAPĘD PRZENOŚNIKA	1	Z61152	
15	ELEVATOR DRIVE	NAPĘD PRZENOŚNIKA	1	Z60931	
15	ELEVATOR DRIVE	NAPĘD PRZENOŚNIKA	1	Z54807	
15	ELEVATOR DRIVE	NAPĘD PRZENOŚNIKA	1	Z58751	
16	ELEVATOR DRIVE	NAPĘD PRZENOŚNIKA	1	Z61153	
16	ELEVATOR DRIVE	NAPĘD PRZENOŚNIKA	1	Z61827	
16	ELEVATOR DRIVE	NAPĘD PRZENOŚNIKA	1	Z62213	
16	ELEVATOR DRIVE	NAPĘD PRZENOŚNIKA	1	Z55459	
21	ELEVATOR DRIVE	NAPĘD PRZENOŚNIKA	1	Z55801	
21	ELEVATOR DRIVE	NAPĘD PRZENOŚNIKA	1	Z54406	
22	ELEVATOR DRIVE	NAPĘD PRZENOŚNIKA	1	Z58752	
22	ELEVATOR DRIVE	NAPĘD PRZENOŚNIKA	1	Z59419	
23	GRAIN ELEVATOR	NAPĘD PRZENOŚNIKA ZBOŻOWEGO	1	Z59556	
23	GRAIN ELEVATOR	NAPĘD PRZENOŚNIKA ZBOŻOWEGO	1	Z63005	
24	GRAIN ELEVATOR	NAPĘD PRZENOŚNIKA ZBOŻOWEGO	1	Z59557	

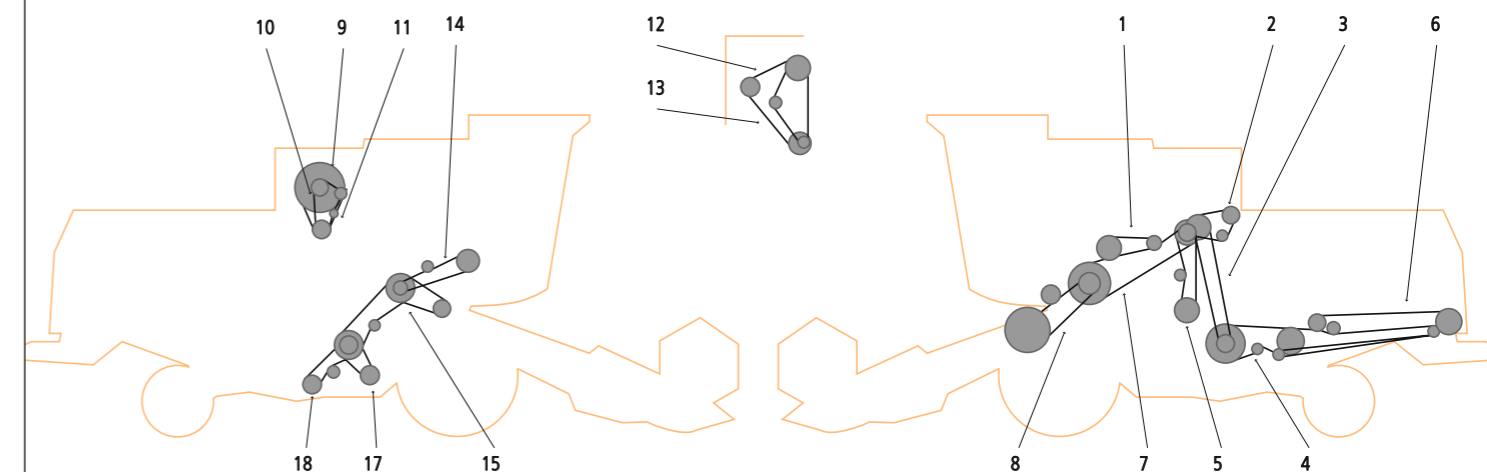
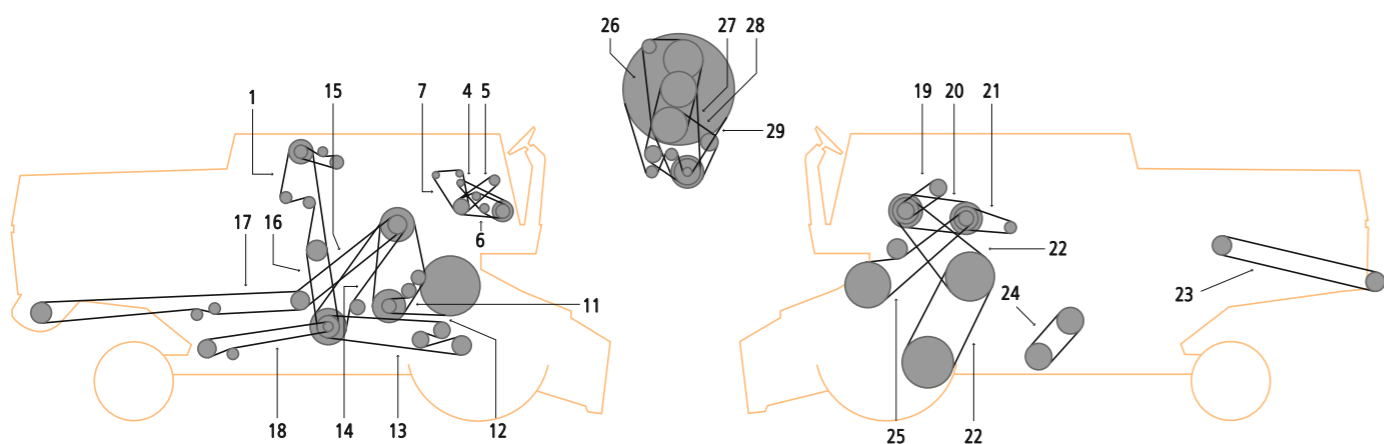


ITEM / POZYCJA	APPLICATION	OPIS	QUANTITY OF V-BELTS IN DRIVE / ILOŚĆ PASÓW W ZESPOLE	OE PART NUMBER / NUMER KATALOGOWY	COMMENT / UWAGI
11	FEEDER DRIVE	NAPĘD ZESPOŁU PRZENOŚNIKA POCHYLEGO	1	Z59344	
11	FEEDER DRIVE	NAPĘD ZESPOŁU PRZENOŚNIKA POCHYLEGO	1	Z61151	
12	HYDRAULIC REEL DRIVE	NAPĘD HYDRAULICZNY MOTOWIDEŁ	1	Z57084	
13	IMPELLER DRUM DRIVE	NAPĘD WSTECZNY ODRZUTNIKA	1	Z64912	
13	IMPELLER DRUM DRIVE	NAPĘD WSTECZNY ODRZUTNIKA	1	Z61150	
14	MAIN BELT	PAS GŁÓWNY	1	Z61857	
15	STRAW CHOPPER DRIVE	NAPĘD ROZDRABNIACZA SŁOMY	1	Z59286	
16	STRAW WALKER DRIVE	NAPĘD WYTRZĄSACZA POPRZECZNEGO	1	Z59114	
17	STRAW CHOPPER DRIVE	NAPĘD ROZDRABNIACZA SŁOMY	1	Z59342	
18	ELEVATOR DRIVE	NAPĘD PRZENOŚNIKA	1	Z60135	
19	SHAKER SHOE DRIVE	NAPĘD KOSZA SITOWEGO	1	Z59322	
22	UNLOADER DRIVE	NAPĘD WYSYPU	1	Z48212	
23	ELEVATOR DRIVE	NAPĘD PRZENOŚNIKA	1	Z61152	
23	ELEVATOR DRIVE	NAPĘD PRZENOŚNIKA	1	Z60931	
24	ELEVATOR DRIVE	NAPĘD PRZENOŚNIKA	1	Z62211	X
25	ELEVATOR DRIVE	NAPĘD PRZENOŚNIKA	1	Z61152	
25	ELEVATOR DRIVE	NAPĘD PRZENOŚNIKA	1	Z60931	
25	ELEVATOR DRIVE	NAPĘD PRZENOŚNIKA	1	Z54807	
25	ELEVATOR DRIVE	NAPĘD PRZENOŚNIKA	1	Z58751	
26	ELEVATOR DRIVE	NAPĘD PRZENOŚNIKA	1	Z61827	
26	ELEVATOR DRIVE	NAPĘD PRZENOŚNIKA	1	Z62213	
27	ELEVATOR DRIVE	NAPĘD PRZENOŚNIKA	1	Z62551	
27	ELEVATOR DRIVE	NAPĘD PRZENOŚNIKA	1	Z54406	
28	ELEVATOR DRIVE	NAPĘD PRZENOŚNIKA	1	Z62552	
28	ELEVATOR DRIVE	NAPĘD PRZENOŚNIKA	1	Z62214	
28	CLEANING FAN	NAPĘD WIALNI	1	Z62111	

X - not in standard offer / brak w standardowej ofercie

ITEM / POZYCJA	APPLICATION	OPIS	QUANTITY OF V-BELTS IN DRIVE / ILOŚĆ PASÓW W ZESPOLE	OE PART NUMBER / NUMER KATALOGOWY	COMMENT / UWAGI
1	FEEDER DRIVE	NAPĘD ZESPOŁU PRZENOŚNIKA POCHYLEGO	1	Z59344	
1	FEEDER DRIVE	NAPĘD ZESPOŁU PRZENOŚNIKA POCHYLEGO	1	Z61151	
2	HYDRAULIC REEL DRIVE	NAPĘD HYDRAULICZNY MOTOWIDEŁ	1	Z57084	
3	IMPELLER DRUM DRIVE	NAPĘD WSTECZNY ODRZUTNIKA	1	Z64912	
3	IMPELLER DRUM DRIVE	NAPĘD WSTECZNY ODRZUTNIKA	1	Z61150	
4	MAIN BELT	PAS GŁÓWNY	1	Z61857	
5	STRAW CHOPPER DRIVE	NAPĘD ROZDRABNIACZA SŁOMY	1	Z59286	
6	STRAW WALKER DRIVE	NAPĘD WYTRZĄSACZA POPRZECZNEGO	1	Z59114	
7	STRAW CHOPPER DRIVE	NAPĘD ROZDRABNIACZA SŁOMY	1	Z59342	
8	ELEVATOR DRIVE	NAPĘD PRZENOŚNIKA	1	Z60135	
9	IMPELLER DRUM DRIVE	NAPĘD WSTECZNY ODRZUTNIKA	1	Z56421	
10	STRAW WALKER INTERMEDIATE SHAFT DRIVE	NAPĘD POŚREDNI WYTRZĄSACZY	1	Z56959	
11	SHAKER SHOE DRIVE	NAPĘD KOSZA SITOWEGO	1	Z59322	
12	UNLOADER DRIVE	NAPĘD WYSYPU	1	Z48212	
13	ELEVATOR DRIVE	NAPĘD PRZENOŚNIKA	1	Z61152	
13	ELEVATOR DRIVE	NAPĘD PRZENOŚNIKA	1	Z60931	
14	ELEVATOR DRIVE	NAPĘD PRZENOŚNIKA	1	Z62211	X
15	ELEVATOR DRIVE	NAPĘD PRZENOŚNIKA	1	Z61152	
15	ELEVATOR DRIVE	NAPĘD PRZENOŚNIKA	1	Z60931	
15	ELEVATOR DRIVE	NAPĘD PRZENOŚNIKA	1	Z54807	
15	ELEVATOR DRIVE	NAPĘD PRZENOŚNIKA	1	Z58751	
16	ELEVATOR DRIVE	NAPĘD PRZENOŚNIKA	1	Z61827	
16	ELEVATOR DRIVE	NAPĘD PRZENOŚNIKA	1	Z62213	
21	ELEVATOR DRIVE	NAPĘD PRZENOŚNIKA	1	Z54406	
22	ELEVATOR DRIVE	NAPĘD PRZENOŚNIKA	1	Z59419	
23	ELEVATOR DRIVE	NAPĘD PRZENOŚNIKA	1	Z63005	
24	ELEVATOR DRIVE	NAPĘD PRZENOŚNIKA	1	Z59557	
25	DRUM - BEATER SHAFT	NAPĘD MŁOCARNI	1	Z44936	X
26	MAIN SHAFT DRIVE	NAPĘD MŁOCARNI	1	Z61858	
27			1	Z62110	
28	CLEANING FAN	NAPĘD WIALNI	1	Z62111	

X - not in standard offer / brak w standardowej ofercie

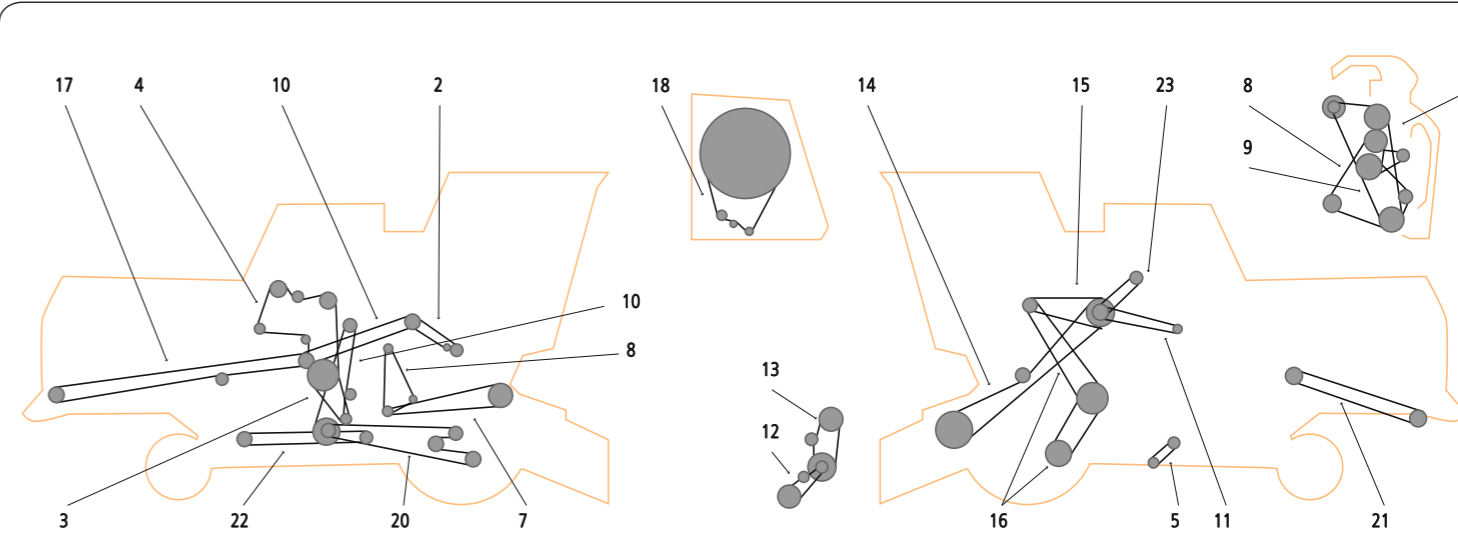
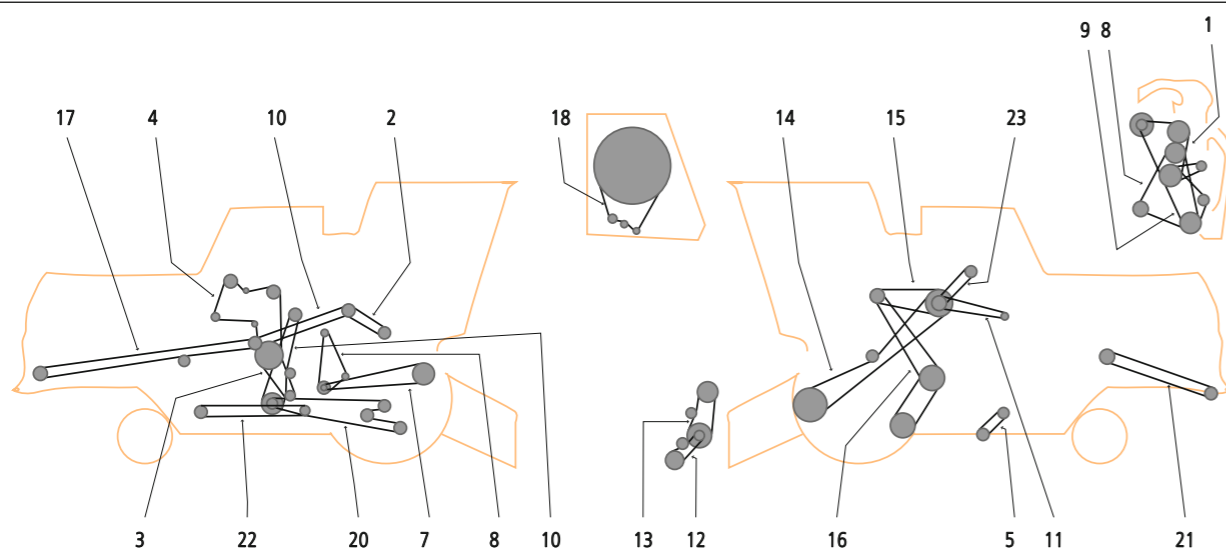


ITEM / POZYCJA	APPLICATION	OPIS	QUANTITY OF V-BELTS IN DRIVE / ILOŚĆ PASÓW W ZESPOLE	OE PART NUMBER / NUMER KATALOGOWY	COMMENT / UWAGI
1	CLEAN GRAIN ELEVATOR -101300	NAPĘD PRZENOŚNIKA ZIARNA -101300	1	E60212	
1	CLEAN GRAIN ELEVATOR 150001-	NAPĘD PRZENOŚNIKA ZIARNA 150001-	1	H87648	
4	ENGINE FAN -100000	NAPĘD WENTYLATORA -100000	1	H79236	
5	COMPRESSOR,GASOLINE -100000	NAPĘD KOMPRESORA -100000	1	H80896	
5	COMPRESSOR, DIESEL -100000	NAPĘD KOMPRESORA -100000	1	H81742	
5	COMPRESSOR 100001-101300	NAPĘD KOMPRESORA 100001-101300	1	H63772	
5	COMPRESSOR 150001-	NAPĘD KOMPRESORA 150001-	1	H86273	
6	ENGINE FAN COUNTERSHAFT -100000	POŚREDNI WAŁ NAPĘDU WENTYLATORA -100000	1	H79235	
7	ALTERNATOR AND WATER PUMP	NAPĘD ALTERNATORA POMPY WODNEJ	1	H80897	
9	ROTARY DEFLECTOR 853-	ODRZUTNIK 853-	1	H86060	
9	ROTARY DEFLECTOR 100001-	ODRZUTNIK 100001-	1	H86039	
11	CYLINDER INTERMEDIATE SHAFT	NAPĘD POŚREDNI CYLINDRA	1	H75816	X
12	CYLINDER, MATCHED SET OF THREE	NAPĘD BĘBNA MŁÓCĄCEGO, 3 W ZESPOLE	1	AH80500	
13	SHOE GRAIN SUPPLY AUGERS	NAPĘD ŚLIMAKA	1	H79285	
14	SECONDARY COUNTERSHAFT	NAPĘD WAŁKA POŚREDNIEGO (POMOCNICZY)	1	H138762	
15	FRONT STRAW CHOPPER	NAPĘD ROZDRABIACZA SŁOMY, PRZÓD	1	H20407	
16	CLEAN GRAIN ELEVATOR COUNTERSHAFT	POŚREDNI NAPĘD PRZENOŚNIKA ZIARNA	1	H23817	
17	REAR STRAW CHOPPER	NAPĘ ROZDRABIACZA SŁOMY, TYŁ	1	H79787	
18	TAILINGS LOWER AUGER	NAPĘD DOLNEGO ŚLIMAKA KŁOSOWEGO	1	E63031	
19	UNLOADING AUGER COUNTERSHAFT	NAPĘD ŚLIMAKA WYSYPU ZBIORNIKA	1	H76136	
20			1	AH98052	
21	HYDROSTATIC REEL PUMP	NAPĘD POMPY MOTOWIDŁA	1	H77683	X
22	PROPULSION	NAPĘD	1	H75911	X
23	STRAW SPREADER	ROZTRZĄSACZ	1	H80159	
24	CLEANING FAN	NAPĘD WIALNI CZYSZCZĄCEJ	1	H80726	
25	PLATFORM AND FEEDER HOUSE UPPER	PLATFORMA I ZESPÓŁ PODAJNIKA POCHYLNEGO GORNY	1	H76028	
26	ALTERNATOR AND WATER PUMP	NAPĘD ALTERNATOR, POMPY WODNEJ	1	H80897	
27	ENGINE FAN	NAPĘD WENTYLATORA	1	H86271	
28	ENGINE FAN AND ROTARY SCREEN DRIVE SHAFT	NAPĘD WENTYLATORA I NAPĘD KOSZA CHŁODZĄCEGO	1	H86273	
29	ROTARY SCREEN	NAPĘD KOSZA CHŁODZĄCEGO	1	H86259	X

X - not in standard offer / brak w standardowej ofercie

ITEM / POZYCJA	APPLICATION	OPIS	QUANTITY OF V-BELTS IN DRIVE / ILOŚĆ PASÓW W ZESPOLE	OE PART NUMBER / NUMER KATALOGOWY	COMMENT / UWAGI
0			1	H87296	
1	ALTERNATOR AND WATER PUMP 292 GAS	NAPĘD ALTERNATORA, POMPY WODNEJ	1	H30634	X
1	ALTERNATOR AND WATER PUMP 329DH-02	NAPĘD ALTERNATORA, POMPY WODNEJ	1	H80896	
2	ALTERNATOR AND WATER PUMP 329DH-02AND03	NAPĘD ALTERNATORA, POMPY WODNEJ	1	H82724	
3	CLEAN GRAIN ELEVATOR U-JOINT LOADING AUGER	NAPĘD ŚLIMAKA	1	E60212	
3	CLEAN GRAIN ELEVATOR	NAPĘD PRZENOŚNIKA ZIARNA	1	H87648	
4	CLEAN GRAIN ELEVATOR COUNTERSHAFT	NAPĘD PRZENOŚNIKA ZIARNA	1	H23817	
5	ENGINE FAN AND ROTARY SCREEN DRIVE SHAFT	NAPĘD KOSZA CHŁODNICY I WENTYLATORA	1	H86275	X
6	CLEANING FAN	NAPĘD WIALNI	1	H80726	
7	COMPRESSOR. AC 329 DIESEL	NAPĘD KOMPRESORA	1	H77683	X
7	(GAS) COMPRESSOR. AC 292	NAPĘD KOMPRESORA	1	H80896	
7	COMPRESSOR. AC 6329DH-01	NAPĘD KOMPRESORA	1	H86275	X
8	(DIESEL) COMPRESSOR. AC 292	NAPĘD KOMPRESORA	1	H80896	
9	CYLINDER DRIVE	NAPĘD BĘBNA MŁÓCĄCEGO	1	AH80500	
10	ENGINE FAN	NAPĘD WENTYLATORA	1	H79236	
10	ENGINE FAN. CAB W/AIR CONDITIONING	NAPĘD KLIMATYZACJI	1	H86271	
11	ENGINE FAN COUNTERSHAFT	POŚREDNI WAŁ NAPĘDU WENTYLATORA	1	H79235	
12	STRAW CHOPPER, FRONT	SIECZKARNIA PRZEDNIA	1	H20407	
14	PLATFORM AND CORN HEAD	NAPĘD PRZYSTAWKI KUKURYDZY	3	AH76154	
15	PLATFORM AND CORN HEAD LOWER VARIABLE	NAPĘD PRZYSTAWKI KUKURYDZY	3	AH87197	
16	PLATFORM AND CORN HEAD MIDDLE VARIABLE	NAPĘD PRZYSTAWKI KUKURYDZY	1	H84441	X
17	PLATFORM AND FEEDER HOUSE UPPER	NAPĘD GÓRNEGO PRZENOŚNIKA ZBOŻA	1	H76028	
18	PRIMARY COUNTERSHAFT	NAPĘD WAŁKA POŚREDNIEGO (GŁÓWNY)	2	AH98052	
19	PROPULSION. LOWER (BELT DRIVE)	NAPĘD DOLNY	1	H76136	
21	STRAW CHOPPER, REAR	SIECZKARNIA TYLNA	1	H79787	
22	ROTARY DEFLECTOR	ODRZUTNIK	1	H86039	
22	ROTARY DEFLECTOR	ODRZUTNIK	1	H86060	
23	COUNTERSHAFT DRIVE (SECONDARY)	NAPĘD WAŁKA POŚREDNIEGO (POMOCNICZY)	1	H138762	
23	ROTARY SCREEN DRIVE	NAPĘD KOSZA CHŁODNICY	1	H86259	X
25	SHOE GRAIN SUPPLY AUGERS	NAPĘD ŚLIMAKA	1	H79285	
26	STRAW SPREADER	ROZTRZĄSACZ	1	H80159	
27	TAILINGS LOWER AUGER	DOLNY ŚLIMAK	1	E63031	
28	UNLOADING AUGER COUNTERSHAFT	NAPĘD ŚLIMAKA	1	H76136	
29	GOVERNOR	NAPĘD REGULATORY PRZEKŁADNI	1	H82479	
31	CLEAN GRAIN ELEVATOR AND LOADING AUGER EXT	NAPĘD ŚLIMAKA	1	H81222	

X - not in standard offer / brak w standardowej ofercie



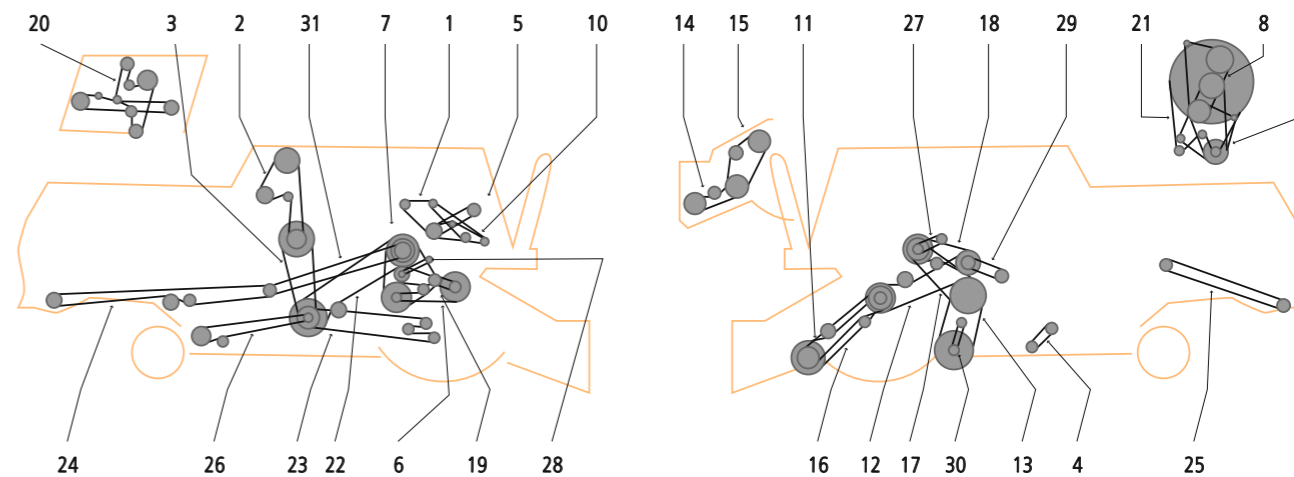
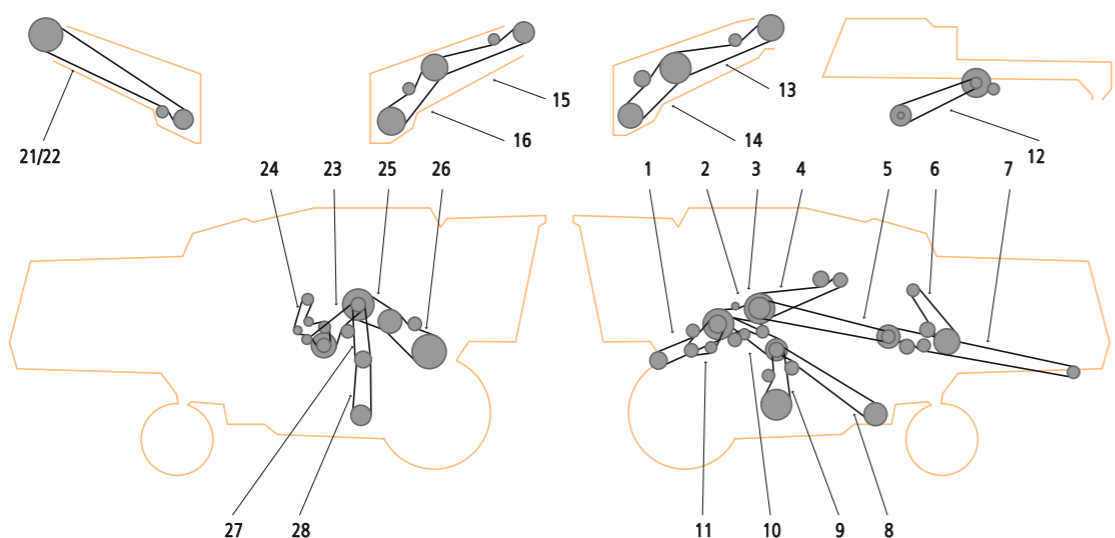
ITEM / POZYCJA	APPLICATION	OPIS	QUANTITY OF V-BELTS IN DRIVE / ILOŚĆ PASÓW W ZESPOLE	OE PART NUMBER / NUMER KATALOGOWY	COMMENT / UWAGI
1	ALTERNATOR AND WATER PUMP DRIVE	NAPĘD ALTERNATORA, POMPY WODNEJ	1	J101813	X
1	ALTERNATOR AND WATER PUMP DRIVE	NAPĘD ALTERNATORA, POMPY WODNEJ	1	H82724	
2	AIR CONDITIONING COMPRESSOR	NAPĘD KOMPRESORA KLIMATYZACJI	1	H86275	X
3	ENGINE FAN	NAPĘD WENTYLATORA	1	H86271	
3	ENGINE FAN	NAPĘD WENTYLATORA	1	H94373	X
4	FAN AND ROTARY SCREEN DRIVE	NAPĘD WENTYLATORA CHŁODNICY	1	H86275	X
5	ROTARY SCREEN DRIVE	NAPĘD KOSZA CHŁODNICY	1	H86259	X
6	COUNTERSHAFT DRIVE (PRIMARY)	NAPĘD WAŁKA POŚREDNIEGO (GŁÓWNY)	2	AH98052	
8	UNLOADING AUGER COUNTERSHAFT	NAPĘD ŚLIMAKA WYSYPU ZBIORNIKA	1	H76136	
9	CLEANING FAN	NAPĘD WIALNI	1	H80726	
10	STRAW SPREADER	ROZTRZĄSACZ	1	H80159	
11	HYDROSTATIC REEL PUMP DRIVE	NAPĘD POMPY HYDROSTATYCZNEJ MOTOWIDEŁ	1	H77683	X
12	PLATFORM AND FEEDER HOUSE UPPER	NAPĘD GÓRNEGO PRZENOŚNIKA ZBOŻA	1	H76028	
13	PLATFORM AND CORN HEAD	NAPĘD PRZYSTAWKI KUKURYDZY	1	P46553	X
14	PLATFORM AND CORN HEAD	NAPĘD PRZYSTAWKI KUKURYDZY	3	AH87197	
14	PLATFORM RICE. GRAIN. CORN FEEDER HOUSE	NAPĘD PRZENOŚNIKA ZBOŻA	3	AH76154	
14	STRAW SPREADER	ROZTRZĄSACZ	1	Z33774	
15	BEATER DRIVE	NAPĘD MŁOCARNI	1	H101352	
15	BEATER DRIVE	NAPĘD MŁOCARNI	1	H86039	
15	BEATER DRIVE	NAPĘD MŁOCARNI	1	Z33790	
16	SHOE GRAIN SUPPLY AUGERS	PRZENOŚNIK ŚLIMAKOWY ZIARNA	1	H79285	
16	FEEDER HOUSE DRIVE	NAPĘD PRZENOŚNIKA ZIARNA	1	Z38186	
17	CLEAN GRAIN ELEVATOR DRIVE	NAPĘD PRZENOŚNIKA ZIARNA	1	H81222	
17	FRONT STRAW CHOPPER	NAPĘD ROZDRABNIACZA SŁOMY	1	Z44761	
18	CLEAN GRAIN ELEVATOR COUNTERSHAFT	NAPĘD POŚREDNI PRZENOŚNIKA ZIARNA	1	H23817	
18	REAR STRAW CHOPPER DRIVE	TYLNI NAPĘD ROZDRABNIACZA SŁOMY	1	Z44930	
20	CYLINDER DRIVE	NAPĘD BĘBNA MŁOČĄCEGO	1	AH80500	
21	TAILINGS LOWER AUGER DRIVE	NAPĘD DOLNEGO ŚLIMAKA KŁOSOWEGO	1	E63031	
22	REAR STRAW CHOPPER DRIVE	TYLNI NAPĘD ROZDRABNIACZA SŁOMY	1	H79787	
23	FRONT STRAW CHOPPER	NAPĘD ROZDRABNIACZA SŁOMY	1	H20407	
24	COUNTERSHAFT DRIVE (SECONDARY)	NAPĘD WAŁKA POŚREDNIEGO (POMOCNICZY)	1	H138762	
x			1	H87296	

X - not in standard offer / brak w standardowej ofercie

ITEM / POZYCJA	APPLICATION	OPIS	QUANTITY OF V-BELTS IN DRIVE / ILOŚĆ PASÓW W ZESPOLE	OE PART NUMBER / NUMER KATALOGOWY	COMMENT / UWAGI
0	CYLINDER DRIVE	NAPĘD BĘBNA MŁOČĄCEGO	1	Z65924	X
1			1	AR72036	
2			1	Z34786	
3			1	Z32190	X
4			1	Z41178	X
5			1	Z34405	
6			1	Z44936	X
7			1	Z45026	
8			2	AZ35635	
9			1	Z34099	X
10			1	Z42756	X
11			1	Z45482	
12			1	Z34828	
13			1	Z47911	
14	STRAW SPREADER	ROZTRZĄSACZ	1	Z33774	
15	BEATER DRIVE	NAPĘD MŁOCARNI	1	Z33790	
16	FEEDER HOUSE DRIVE	NAPĘD PRZENOŚNIKA ZIARNA	1	Z38186	
17	STRAW CHOPPER, FRONT	SIECZKARNIA PRZEDNIA	1	Z44761	
18	STRAW CHOPPER, REAR	SIECZKARNIA TYLNA	1	Z44930	
19			1	Z43863	
20			1	Z38704	

X - not in standard offer / brak w standardowej ofercie





ITEM / POZYCJA	APPLICATION	OPIS	QUANTITY OF V-BELTS IN DRIVE / ILOŚĆ PASÓW W ZESPOLE	OE PART NUMBER / NUMER KATALOGOWY	COMMENT / UWAGI
0			2	Z55645	
1	ALTERNATOR AND WATER PUMP	NAPĘD ALTERNATORA, POMPY WODNEJ	1	AR72036	
2	CENTER SHAFT TO ROTARY SCREEN	NAPĘD KOSZA CHŁODNICY	1	Z46764	
3	CRANKSHAFT TO CENTER SHAFT	NAPĘD NOŻY - WAŁ POŚREDNI	1	Z32190	X
4	CLEANING FAN	NAPĘD WIALNI	1	Z46365	
5	SEPARATOR	NAPĘD SEPARATORA	1	Z46366	
6	CYLINDER DRIVE	NAPĘD BĘBNA MŁÓCĄCEGO	1	Z44936	X
7	TAILINGS ELEVATOR	NAPĘD ŚLIMAKA	1	Z45026	
8	CLEAN GRAIN ELEVATOR	NAPĘD PRZENOŚNIKA ZIARNA	1	Z47912	
9	STRAW SPREADER	ROZTRZĄSACZ	1	Z32041	
10	BEATER DRIVE	NAPĘD MŁOCARNI	1	Z33790	
11	FEEDER HOUSE DRIVE	NAPĘD PRZENOŚNIKA ZIARNA	1	Z38186	
12	STRAW CHOPPER, FRONT	SIECZKARNIA PRZEDNIA	1	Z44761	
13	STRAW CHOPPER, REAR	SIECZKARNIA TYLNA	1	Z47763	
14	MAIN HYDRAULIC PUMP	GLÓWNA POMPA HYDRAULICZNA	1	Z34828	
15	COMPRESSOR	NAPĘD KOMPRESORA	1	Z46759	X
16	UNLOADER AUGER DRIVE	NAPĘD ŚLIMAKA WYSYPY ZBIORNIKA	1	Z51212	
17	UPPER GROUND SPEED DRIVE	NAPĘD POŚREDNI JAZDY GÓRNY	2	AZ37807	
18	LOWER GROUND SPEED DRIVE	NAPĘD POŚREDNI JAZDY DOLNY	1	Z34099	X
19	HYDROSTATIC DRIVE	NAPĘD HYDROSTATYCZNY	1	Z53290	

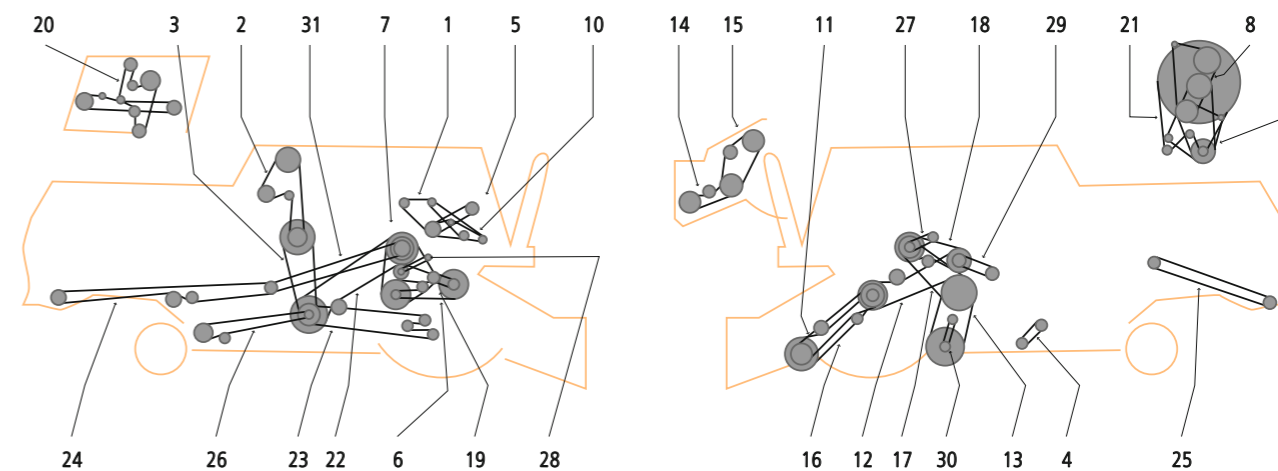
X - not in standard offer / brak w standardowej ofercie

ITEM / POZYCJA	APPLICATION	OPIS	QUANTITY OF V-BELTS IN DRIVE / ILOŚĆ PASÓW W ZESPOLE	OE PART NUMBER / NUMER KATALOGOWY	COMMENT / UWAGI
1	SICKLE DRIVE	NAPĘD KOSY	1	856559	X
1	ALTERNATOR AND WATER PUMP DRIVE	NAPĘD ALTERNATORA, POMPY WODNEJ	1	H82724	
1	COUNTERSHAFT DRIVE (PRIMARY)	NAPĘD WAŁKA POŚREDNIEGO (GLÓWNY)	2	AH75638	
2	U-JOINT LOADING AUGER	NAPĘD PRZENOŚNIKA ŚLIMAKOWEGO	1	H23950	
2	SICKLE DRIVE	NAPĘD KOSY	1	857862	X
3	CLEAN GRAIN ELEVATOR COUNTERSHAFT	NAPĘD POŚREDNI PRZENOŚNIKA ZIARNA	1	H27433	
4	CLEANING FAN	NAPĘD WIALNI	1	H108668	
5	AIR CONDITIONING COMPRESSOR	NAPĘD KOMPRESORA KLIMATYZACJI	1	H80896	
6	CYLINDER DRIVE	NAPĘD BĘBNA MŁÓCĄCEGO	1	AH80505	
6	CYLINDER DRIVE	NAPĘD BĘBNA MŁÓCĄCEGO	1	AH80503	
6	CYLINDER DRIVE	NAPĘD BĘBNA MŁÓCĄCEGO	1	H96423	
7	CYLINDER INTERMEDIATE SHAFT	NAPĘD POŚREDNI BĘBNA	1	H113749	X
8	ENGINE FAN	NAPĘD WENTYLATORA	1	H86271	
8	ENGINE FAN	NAPĘD WENTYLATORA	1	H86272	X
11	FEEDER CONVEYOR DRIVE	NAPĘD PRZENOŚNIKA ZASILAJĄCEGO	1	H77766	
11	FEEDER CONVEYOR DRIVE	NAPĘD PRZENOŚNIKA ZASILAJĄCEGO	1	H125380	
12	PLATFORM AND FEEDER HOUSE UPPER	NAPĘD GÓRNEGO PRZENOŚNIKA ZBOŻA	1	H76030	
12	PLATFORM AND FEEDER HOUSE UPPER	NAPĘD GÓRNEGO PRZENOŚNIKA ZBOŻA	1	H23927	
13	PROPULSION HYDROSTATIC DRIVE LOWER	NAPĘD HYDROSTATYCZNY, NAPĘD DOLNY	2	AH84633	
13	PROPULSION HYDROSTATIC DRIVE LOWER	NAPĘD HYDROSTATYCZNY, NAPĘD DOLNY	1	H88576	X
13	PROPULSION POSI-TORQUE LOWER	NAPĘD DOLNY	1	H75846	X
14	PLATFORM AND CORN HEAD	NAPĘD PRZYSTAWKI KUKURYDZY	3	AH76154	
15	PLATFORM AND CORN HEAD	NAPĘD PRZYSTAWKI KUKURYDZY	1	P46553	X
15	PLATFORM AND CORN HEAD	NAPĘD PRZYSTAWKI KUKURYDZY	1	H84441	X
16	PLATFORM AND FEEDER HOUSE LOWER	NAPĘD DOLNEGO PRZENOŚNIKA	1	H77765	
16	PLATFORM AND FEEDER HOUSE LOWER	NAPĘD DOLNEGO PRZENOŚNIKA	1	H79796	
17	PROPULSION HYDROSTATIC DRIVE UPPER	NAPĘD HYDROSTATYCZNY, NAPĘD GÓRNY	2	AH84633	
17	PROPULSION POSI-TORQUE UPPER	NAPĘD GÓRNY	2	AH21301	
17	PROPULSION HYDROSTATIC DRIVE UPPER	NAPĘD HYDROSTATYCZNY, NAPĘD GÓRNY	1	H88576	X
18	COUNTERSHAFT DRIVE (PRIMARY)	NAPĘD WAŁKA POŚREDNIEGO (GLÓWNY)	1	H84462	
19	ROTARY REFLECTOR	ODRZUTNIK	1	H86039	
19	ROTARY DEFLECTOR	ODRZUTNIK	1	H86061	
20	CLEAN GRAIN ELEVATOR DRIVE	NAPĘD PRZENOŚNIKA ZIARNA	1	H77766	
21	ROTARY SCREEN DRIVE	NAPĘD KOSZA CHŁODNICY	1	H86259	X
22	COUNTERSHAFT DRIVE (SECONDARY)	NAPĘD WAŁKA POŚREDNIEGO (POMOCNICZY)	1	H77019	
23	SHOE GRAIN SUPPLY AUGERS	PRZENOŚNIK ŚLIMAKOWY ZIARNA	1	H77010	
24	STRAW CHOPPER REAR	SIECZKARNIA	1	H79789	
25	STRAW SPREADER	ROZTRZĄSACZ	1	H26858	



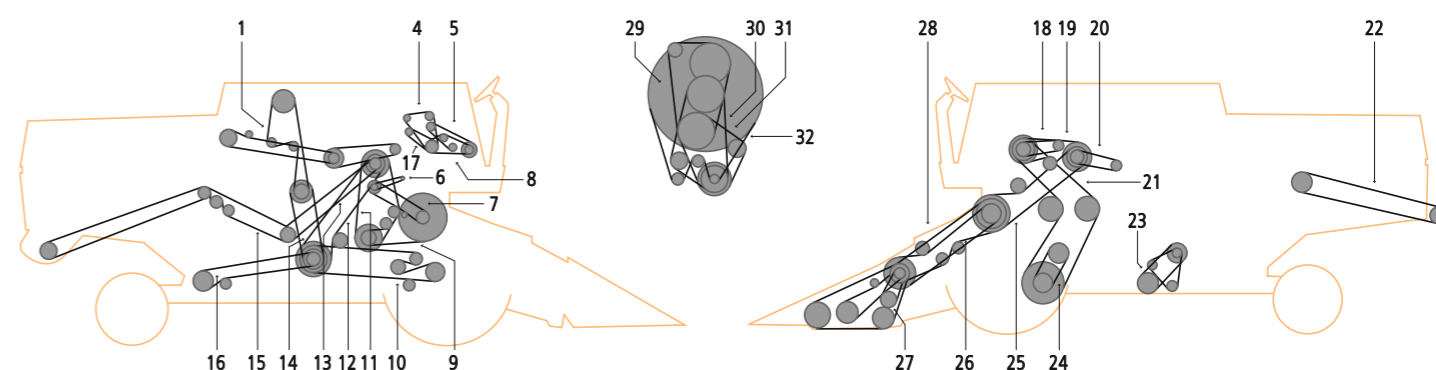
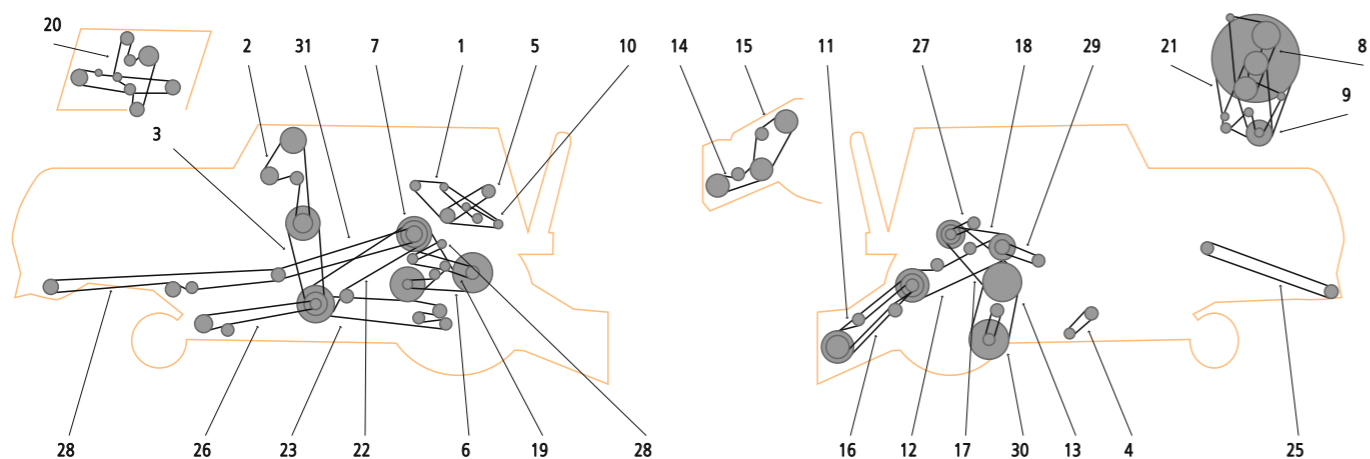
ITEM / POZYCJA	APPLICATION	OPIS	QUANTITY OF V-BELTS IN DRIVE / ILOŚĆ PASÓW W ZESPOLE	OE PART NUMBER / NUMER KATALOGOWY	COMMENT / UWAGI
26	TAILINGS LOWER AUGER DRIVE	NAPĘD DOLNEGO ŚLIMAKA KŁOSOWEGO	1	N110085	
29	HYDROSTATIC REEL PUMP DRIVE	NAPĘD POMPY HYDROSTATYCZNEJ MOTOWIDEŁ	1	H77683	X
30	HYDROSTATIC PUMP DRIVE	NAPĘD POMPY HYDROSTATYCZNEJ	1	T12042	X
30	HYDROSTATIC PUMP DRIVE	NAPĘD POMPY HYDROSTATYCZNEJ	1	T199T	X
31	STRAW CHOPPER DRIVE	NAPĘD ROZDRABNIACZA SŁOMY	1	H80103	
x			1	H85377	X
x	LOWER GROUND SPEED DRIVE	NAPĘD POŚREDNI JAZDY DOLNY	1	H75846	X

X - not in standard offer / brak w standardowej ofercie



ITEM / POZYCJA	APPLICATION	OPIS	QUANTITY OF V-BELTS IN DRIVE / ILOŚĆ PASÓW W ZESPOLE	OE PART NUMBER / NUMER KATALOGOWY	COMMENT / UWAGI
5	AIR CONDITIONING COMPRESSOR	NAPĘD KOMPRESORA KLIMATYZACJI	1	H87459	X
5	AIR CONDITIONING COMPRESSOR	NAPĘD KOMPRESORA KLIMATYZACJI	1	R71603	
9	ENGINE FAN AND ROTARY SCREEN DRIVE SHAFT	NAPĘD WENTYLATORA I PRZESIEWACZA BĘBNOWEGO	1	H137207	
17	PROPULSION POSI-TORQUE UPPER	NAPĘD GÓRNY	2	AH21301	
17	PROPULSION POSI-TORQUE UPPER	NAPĘD GÓRNY	2	AH87127	
18	COUNTERSHAFT DRIVE (PRIMARY)	NAPĘD WAŁKA POŚREDNIEGO (GŁÓWNY)	1	H84462	
18	COUNTERSHAFT DRIVE (PRIMARY)	NAPĘD WAŁKA POŚREDNIEGO (GŁÓWNY)	1	H108175	
27	UNLOADING AUGER COUNTERSHAFT	NAPĘD ŚLIMAKA WYSYPU ZBIORNIKA	1	H76150	
27	UNLOADING AUGER COUNTERSHAFT	NAPĘD ŚLIMAKA WYSYPU ZBIORNIKA	1	H84424	X

X - not in standard offer / brak w standardowej ofercie



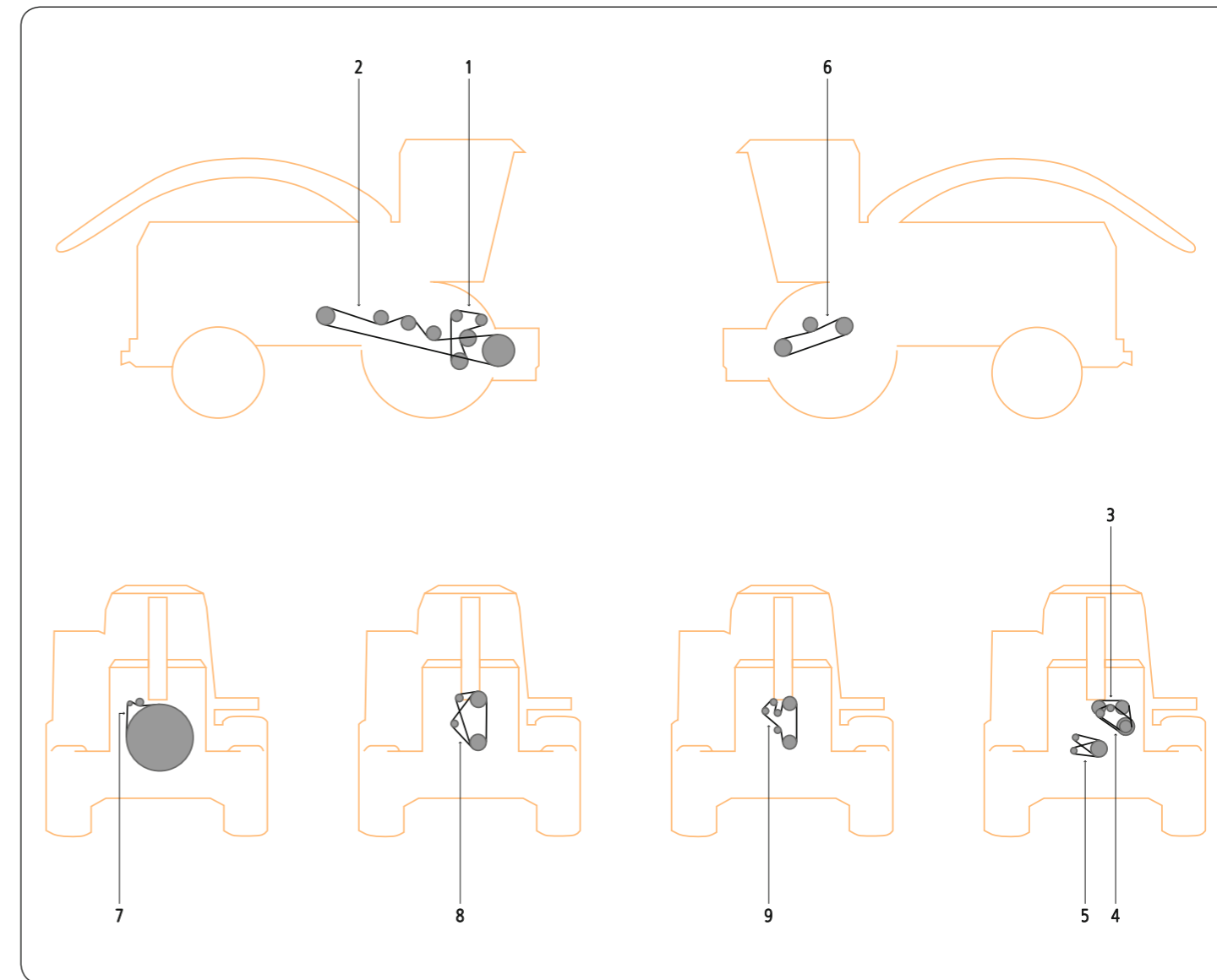
ITEM / POZYCJA	APPLICATION	OPIS	QUANTITY OF V-BELTS IN DRIVE / ILOŚĆ PASÓW W ZESPOLE	OE PART NUMBER / NUMER KATALOGOWY	COMMENT / UWAGI
1	DISCHARGE AUGER	NAPĘD WYSYPU ZBIORNIKA	1	P41508	
2	TRACTION DRIVE	NAPĘD JAZDY	1	AH79627	
3	PURIFY DRIVE	NAPĘD CZYSZCZALNI	1	H76273	
4	PUMP DRIVE	NAPĘD POMPY	1	H81378	
5	FEED CHANNEL (UPPER)	NAPĘD GÓRNEGO PRZENOŚNIKA	1	H76030	
6	SICKLE KNIFE DRIVE	NAPĘD KOSY	1	H81222	
7	CUTTING TABLE	NAPĘD POŚREDNI HEDERA	1	H81524	
8	GRAIN ELEVATOR	NAPĘD PRZENOŚNIKA ZBOŻOWEGO	1	H23950	
9	ALTERNATOR DRIVE	NAPĘD ALTERNATORA	1	H82724	
9	ALTERNATOR DRIVE	NAPĘD ALTERNATORA	1	R52507	
10	FAN DRIVE	NAPĘD WENTYLATORA	1	H79237	
11			1	H86060	
12	FAN DRIVE	NAPĘD WENTYLATORA	1	H79235	
13	CYLINDER DRIVE	NAPĘD BĘBNA MŁÓCĄCEGO	1	H84421	
14	FEED CHANNEL	NAPĘD PRZENOŚNIKA POCHYLEGO	1	H77010	
15	CYLINDER INTERMEDIATE DRIVE	NAPĘD BĘBNA MŁÓCĄCEGO	1	H75565	X
16			1	H77019	
17			1	H80103	
18	GRAIN ELEVATOR	NAPĘD PRZENOŚNIKA ZBOŻOWEGO	1	H27433	
19	AUGER DRIVE	NAPĘD ŚLIMAKA	1	N110085	
20	SECONDARY SHAFT	POMOCNICZY WAŁEK	1	H84425	

X - not in standard offer / brak w standardowej ofercie

ITEM / POZYCJA	APPLICATION	OPIS	QUANTITY OF V-BELTS IN DRIVE / ILOŚĆ PASÓW W ZESPOLE	OE PART NUMBER / NUMER KATALOGOWY	COMMENT / UWAGI
1	CLEAN GRAIN ELEVATOR	NAPĘD PRZENOŚNIKA ZIARNA	1	H23950	
4	ALTERNATOR AND WATER PUMP, DIESEL -1500	NAPĘD ALTERNATORA, POMPY WODNEJ, DIESEL -1500	1	H82724	
4	ALTERNATOR AND WATER PUMP, DIESEL 1501-163500	NAPĘD ALTERNATORA, POMPY WODNEJ, DIESEL 1501-163500	1	R52507	
4	1501-353900	1501-353900	1	R52603	X
4	ALTERNATOR AND WATER PUMP, TURBO	NAPĘD ALTERNATORA, POMPY WODNEJ, TURBO	1	R70871	X
4	ALTERNATOR AND WATER PUMP, TURBO 163501-163500	NAPĘD ALTERNATORA, POMPY WODNEJ, TURBO 163501-163500	1	H79236	
4	ALTERNATOR AND WATER PUMP, GASOLINE -163500	NAPĘD ALTERNATORA, POMPY WODNEJ, BENZYNA -163500	1	H80896	
5	ENGINE FAN, GASOLINE -163500	NAPĘD WENTYLATORA, BENZYNA -163500	1	H79237	
5	ENGINE FAN, DIESEL -1500	NAPĘD WENTYLATORA, DIESEL -1500	1	H79237	
5	ENGINE FAN, DIESEL 1501 - 163500	NAPĘD WENTYLATORA, DIESEL 1501 - 163500	1	H84740	X
6			1	H83077	X
7	-1739	-1739	1	H82318	X
7	ROTARY DEFLECTOR -111600	ODRZUTNIK -111600	1	H86060	
7	ROTARY DEFLECTOR 111601-353600	ODRZUTNIK 111601-353600	1	H86039	
7	ROTARY DEFLECTOR 353601-	ODRZUTNIK 353601-	1	H101352	
8	ENGINE FAN COUNTERSHAFT, GASOLINE -163500	POŚREDNI WAŁ NAPĘDU WENTYLATORA, BENZYNA -163500	1	H79235	
8	ENGINE FAN COUNTERSHAFT, DIESEL -1500	POŚREDNI WAŁ NAPĘDU WENTYLATORA, DIESEL -1500	1	H79235	
8	ENGINE FAN COUNTERSHAFT, DIESEL 1501-163500	POŚREDNI WAŁ NAPĘDU WENTYLATORA, DIESEL 1501-163500	1	H85382	X
9	CYLINDER (350-1058RPM)	NAPĘD BĘBNA MŁÓCĄCEGO (350-1058 RPM)	1	AH80503	
9	1501-353900	1501-353900	1	H84421	
9	CYLINDER (350-1058RPM)	NAPĘD BĘBNA MŁÓCĄCEGO (350-1058 RPM),	1	H96408	
10	SHOE GRAIN SUPPLY AUGERS	NAPĘD ŚLIMAKA	1	H77010	
11	CYLINDER,INTERMEDIATE SHAFT -353900	NAPĘD POŚREDNI BĘBNA -353900	1	H75565	X
11	CYLINDER,INTERMEDIATE SHAFT	NAPĘD POŚREDNI BĘBNA	1	H113749	X
12	SECONDARY COUNTERSHAFT	NAPĘD WAŁKA POŚREDNIEGO (POMOCNICZY)	1	H77019	
13	FRONT STRAW CHOPPER	NAPĘD ROZDRABNIACZA SŁOMY, PRZÓD	1	H80103	
14	CLEAN GRAIN ELEVATOR COUNTERSHAFT	NAPĘD POŚREDNI PRZENOŚNIKA ZIARNA	1	H27433	
15	REAR, STRAW CHOPPER	NAPĘD ROZDRABNIACZA SŁOMY, TYŁ	1	H81653	X
16	TAILINGS LOWER AUGER -1000	NAPĘD DOLNEGO ŚLIMAKA KŁOSOWEGO -1000	1	P50335	X
16	TAILINGS LOWER AUGER 1001-	NAPĘD DOLNEGO ŚLIMAKA KŁOSOWEGO 1001-	1	N110085	
17	163501-353900	163501-353900	1	R46098	X
17	-353900	-353900	1	R69562	X
17	COMPRESSOR	NAPĘD KOMPRESORA	1	R71603	
18	UNLOADING AUGER COUNTERSHAFT -163500	NAPĘD ŚLIMAKA WYSYPU ZBIORNIKA	1	P41508	

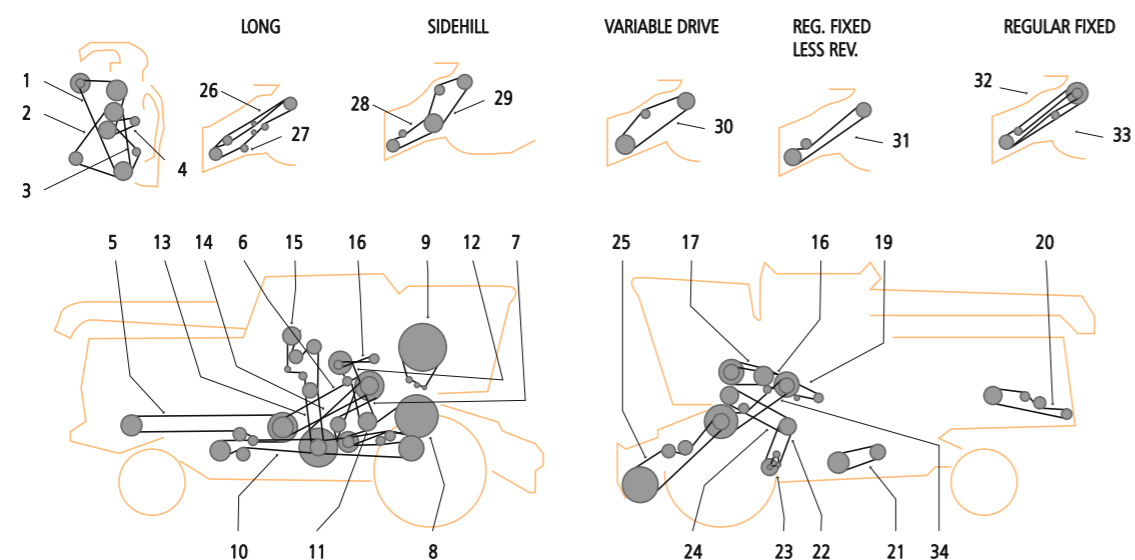
ITEM / POZYCJA	APPLICATION	OPIS	QUANTITY OF V-BELTS IN DRIVE / ILOŚĆ PASÓW W ZESPOLE	OE PART NUMBER / NUMER KATALOGOWY	COMMENT / UWAGI
18	UNLOADING AUGER COUNTERSHAFT (6404TH-02) 163501-	NAPĘD ŚLIMAKA WYSYPU ZBIORNIKA	1	H84424	X
19	PRIMARY COUNTERSHAFT, MATCHED PAIR -1500	GLÓWNY NAPĘD WAŁKA POŚREDNIEGO	1	AH79671	X
19	PRIMARY COUNTERSHAFT, (3C MULTISELECTION) 1501-163500	GLÓWNY NAPĘD WAŁKA POŚREDNIEGO	1	H84462	
19	163501-353900	163501-353900	1	H84425	
19	PRIMARY COUNTERSHAFT (6404TH-02)	GLÓWNY NAPĘD WAŁKA POŚREDNIEGO	1	H108175	
20	HYDROSTATIC REEL PUMP	NAPĘD POMPY MOTOWIDŁA	1	H77683	X
21	PROPULSION	NAPĘD	1	AH79627	
22	STRAW SPREADER	ROZTRZAŚCZACZ	1	H26858	
23	-353900	-353900	1	H76273	
23	CLEANING FAN	NAPĘD WIALNI CZYSZCZĄCEJ	1	H108668	
24	CHARGE PUMP	NAPĘD POMPY	1	H81378	
25	PLATFORM AND FEEDER HOUSE UPPER	PLATFORMA I ZESPÓŁ PODAJNIKA POCHYLNEGO GORNY	1	H76030	
26	FEEDER CONVEYOR	NAPĘD PRZENOŚNIKA ZASILAJĄCEGO	1	H81222	
27	SICKLE DRIVE	NAPĘD KOSY	1	H81524	
28	PLATFORM AND FEEDER HOUSE LOWER	PLATFORMA I ZESPÓŁ PODAJNIKA POCHYLNEGO DOLNY	1	H33885	
29	ALTERNATOR AND WATER PUMP	NAPĘD ALTERNATORA POMPY WODNEJ	1	H79236	
30	ENGINE FAN	NAPĘD WENTYLATORA	1	H86271	
31	ENGINE FAN AND ROTARY SCREEN DRIVE SHAFT	NAPĘD WENTYLATORA I PRZESIEWACZA BĘBNOWEGO	1	H86273	
32	ROTARY SCREEN	NAPĘD KOSZA CHŁODNICY	1	H86259	X

X - not in standard offer / brak w standardowej ofercie



ITEM / POZYCJA	APPLICATION	OPIS	QUANTITY OF V-BELTS IN DRIVE / ILOŚĆ PASÓW W ZESPOLE	OE PART NUMBER / NUMER KATALOGOWY	COMMENT / UWAGI
0			1	AZ43804	
0			1	AZ39676	
1			1	AZ39677	
2	6610	6610	1	AZ51314	X
2	6610	6610	1	AZ51311	X
2	6710	6710	1	AZ51313	X
2	6710	6710	1	AZ51310	X
2	SERIALS 6810, 6910	SERIAL 6810, 6910	1	AZ51312	X
2	SERIALS 6810, 6910	SERIAL 6810, 6910	1	AZ51309	X
3	SERIALS 6810, 6910	SERIAL 6810, 6910	1	AZ42604	X
3	SERIALS 6810, 6910	SERIAL 6810, 6910	1	AZ51087	
4			1		
5	SERIALS 6810, 6910	SERIAL 6810, 6910	2	Z58886	
6			1	AZ39676	
6			1	AZ39678	
7			1	Z48567	X
8	6610 FOR ENGINE 6076HZ030	6610 DLA SILNIKA 6076HZ030	2	Z55738	
8	6710	6710	2	Z55771	
9	6710 FOR ENGINE 6081HZ004	6710 DLA SILNIKA 6081HZ004	1	R136235	X

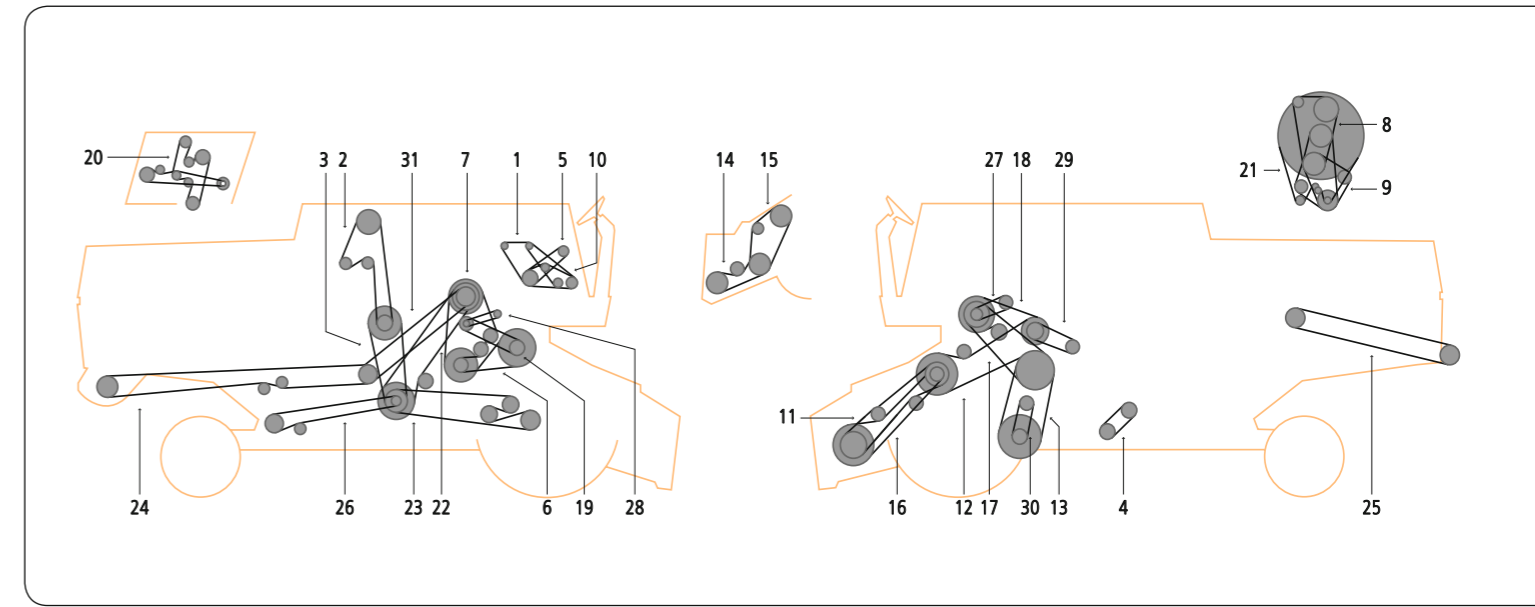
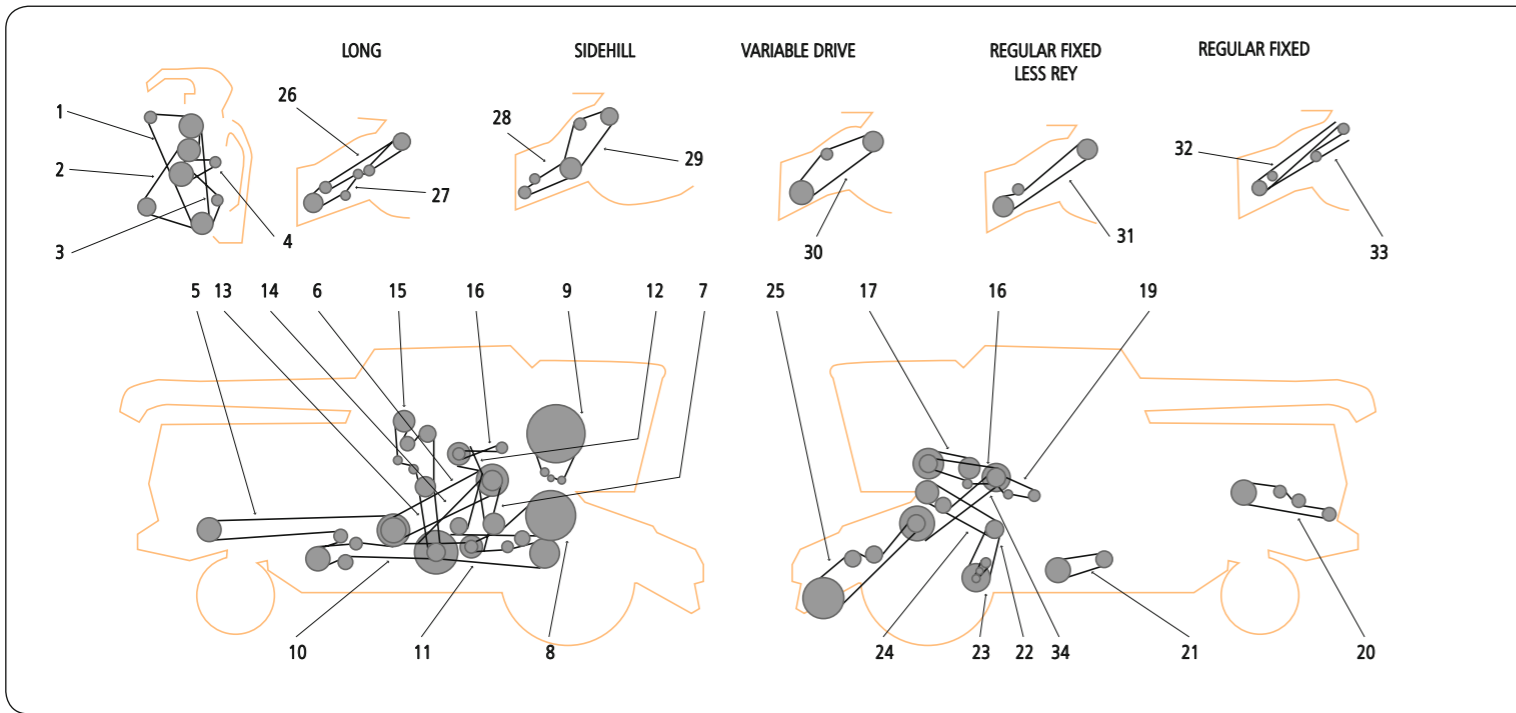
X - not in standard offer / brak w standardowej ofercie



ITEM / POZYCJA	APPLICATION	OPIS	QUANTITY OF V-BELTS IN DRIVE / ILOŚĆ PASÓW W ZESPOLE	OE PART NUMBER / NUMER KATALOGOWY	COMMENT / UWAGI
28	MULTI-GROOVE		2	AH89436	
29	FEEDER HOUSE LOWER DRIVE	DOLNY NAPĘD PRZENOŚNIKA	1	H97929	
29	FEEDER HOUSE UPPER DRIVE	GÓRNY NAPĘD PRZENOŚNIKA	1	H84441	X
30	FEEDER HOUSE DRIVE CONVEYOR	NAPĘD PRZENOŚNIKA ZASILAJĄCEGO	1	H110921	X
30	FEEDER HOUSE LOWER DRIVE	DOLNY NAPĘD PRZENOŚNIKA	1	H116422	X
31	FEEDER HOUSE LOWER DRIVE	DOLNY NAPĘD PRZENOŚNIKA	1	Z30130	
32	FEEDER HOUSE LOWER DRIVE	DOLNY NAPĘD PRZENOŚNIKA	1	H77765	
33	FEEDER HOUSE DRIVE CONVEYOR	NAPĘD PRZENOŚNIKA ZASILAJĄCEGO	1	H77766	
34	FEEDER HOUSE, LESS REVERSER	PRZENOŚNIK	1	H76030	
34	FEEDER HOUSE, REVERSER, VARI-DRIVE	PRZENOŚNIK	1	H23927	

X - not in standard offer / brak w standardowej ofercie

ITEM / POZYCJA	APPLICATION	OPIS	QUANTITY OF V-BELTS IN DRIVE / ILOŚĆ PASÓW W ZESPOLE	OE PART NUMBER / NUMER KATALOGOWY	COMMENT / UWAGI
0	TORQUE-SENSING COUNTERSHAFT DRIVE		1	H113749	X
0	UPPER COUNTERSHAFT DRIVE	NAPĘD GÓRNEGO WAŁKA POŚREDNIEGO	1	P49415	
1	ALTERNATOR AND WATER PUMP DRIVE	NAPĘD ALTERNATORA, POMPY WODNEJ	1	H79236	
2	ROTARY SCREEN DRIVE SHAFT	NAPĘD ZESPOŁU ROTORA KOSZA CHŁODNICZY	1	H86273	
3	ENGINE FAN	NAPĘD WENTYLATORA	1	H86272	X
4	AIR CONDITIONING COMPRESSOR	NAPĘD KOMPRESORA KLIMATYZACJI	1	H113565	
4	AIR CONDITIONING COMPRESSOR	NAPĘD KOMPRESORA KLIMATYZACJI	1	R71603	
5	STRAW CHOPPER REAR	SIECZKARNIA	1	H103344	
6	STRAW CHOPPER DRIVE	NAPĘD ROZDRABNIACZA SŁOMY	1	H101436	
7	LOWER COUNTERSHAFT DRIVE	NAPĘD DOLNEGO WAŁKA POŚREDNIEGO	1	E60212	
8	CYLINDER DRIVE	NAPĘD BĘBNA MLÓCĄCEGO	1	H96423	
8	CYLINDER DRIVE	NAPĘD BĘBNA MLÓCĄCEGO	1	H96408	
8	CYLINDER DRIVE	NAPĘD BĘBNA MLÓCĄCEGO	1	H96422	
8	CYLINDER DRIVE	NAPĘD BĘBNA MLÓCĄCEGO	1	H110375	
9	ROTARY SCREEN DRIVE	NAPĘD KOSZA CHŁODNICZY	1	H86259	X
10	TAILINGS AUGER DRIVE	NAPĘD ŚLIMAKA KŁOSOWEGO	1	H118730	
11	SHOE SUPPLY AUGERS DRIVE	NAPĘD PRZENOŚNIKA ŚLIMAKOWEGO	1	H77010	
12	BEATER DRIVE	NAPĘD MLÓCARNI	1	H96414	
12	BEATER DRIVE	NAPĘD MLÓCARNI	1	H101469	
13	CLEAN GRAIN ELEVATOR COUNTERSHAFT	NAPĘD POŚREDNI PRZENOŚNIKA ZIARNA	1	H27433	
14	COUNTERSHAFT DRIVE (SECONDARY)	NAPĘD WAŁKA POŚREDNIEGO (POMOCNICZY)	1	H81222	
14	COUNTERSHAFT DRIVE (SECONDARY)	NAPĘD WAŁKA POŚREDNIEGO (POMOCNICZY)	1	H110300	
15	CLEAN GRAIN ELEVATOR AND LOADING DRIVE	NAPĘD PRZENOŚNIKA CZYSZCZENIA ZIARNA I ZAŁADUNKU	1	H77766	
17	UNLOADING AUGER DRIVE	NAPĘD ŚLIMAKA WYSYPY ZBIORNIKA	2	AH96300	
18	MULTI-GROOVE SEPARATOR DRIVE	NAPĘD WYTRZĄSACZY	1	H108175	
19	HYDRAULIC REEL PUMP DRIVE	NAPĘD POMPY HYDRAULICZNEJ MOTOWIDEŁ	1	H86275	X
19	HYDRAULIC REEL PUMP DRIVE	NAPĘD POMPY HYDRAULICZNEJ MOTOWIDEŁ	1	H137207	
20	FRONT STRAW SPREADER DRIVE	PRZEDNI NAPĘD ROZTRZĄSACZA SŁOMY	1	H112421	
21	CLEANING FAN DRIVE	NAPĘD WIALNI CZYSZCZĄCEJ	1	H108668	
22	LOWER GROUND SPEED DRIVE	NAPĘD POŚREDNI JAZDY DOLNY	2	AH84633	
22	LOWER GROUND SPEED DRIVE	NAPĘD POŚREDNI JAZDY DOLNY	1	H75846	X
23	HYDROSTATIC CHARGE PUMP DRIVE	NAPĘD POMPY HYDROSTATYCZNEJ	1	T32517	X
23	HYDROSTATIC CHARGE PUMP DRIVE	NAPĘD POMPY HYDROSTATYCZNEJ	1	T199T	X
24	UPPER GROUND SPEED DRIVE	NAPĘD POŚREDNI JAZDY GÓRNY	2	AH84633	
24	POSI-TORQUE UPPER GROUND DRIVE	NAPĘD POŚREDNI JAZDY GÓRNY	2	AH87127	
25	FEEDER HOUSE DRIVE	NAPĘD PRZENOŚNIKA ZIARNA	1	H111519	
26	FEEDER CONVEYOR DRIVE	NAPĘD PRZENOŚNIKA ZASILAJĄCEGO	1	H125380	
27	FEEDER HOUSE LOWER DRIVE	DOLNY NAPĘD PRZENOŚNIKA	1	H79796	



ITEM / POZYCJA	APPLICATION	OPIS	QUANTITY OF V-BELTS IN DRIVE / ILOŚĆ PASÓW W ZESPOLE	OE PART NUMBER / NUMER KATALOGOWY	COMMENT / UWAGI
1	ALTERNATOR AND WATER PUMP	NAPĘD ALTERNATORA, POMPY WODNEJ	1	H79236	
2	COMPRESSOR. AIR CONDITIONING	NAPĘD KOMPRESORA KLIMATYZACJI	1	R71603	
3	ENGINE FAN	NAPĘD WENTYLATORA	1	H86272	X
4	ROTARY SCREEN DRIVE SHAFT	NAPĘD KOSZA CHŁODNICY	1	H86273	
5	LEFT-HAND SIDE	LEWA STRONA	1	H136881	
6	BEATER DRIVE	NAPĘD MŁOCARNI	1	H101469	
7	TORQUE-SENSING COUNTERSHAFT DRIVE		1	H113749	X
8	CYLINDER (STANDARD)	NAPĘD BĘBNA MŁÓCĄCEGO	1	H110375	
8	CYLINDER (OPTIONAL)	NAPĘD BĘBNA MŁÓCĄCEGO	1	H96422	
8	CYLINDER (SLOW SPEED)	NAPĘD BĘBNA MŁÓCĄCEGO	1	H96423	
9	DRIVE. CLEAN GRAIN ELEVATOR AND LOADING	NAPĘD PRZENOŚNIKA ZIARNA	1	H23950	
10	DRIVE. CLEAN GRAIN ELEVATOR COUNTERSHAFT	NAPĘD PRZENOŚNIKA ZIARNA	1	H27433	
11	DRIVE. CLEAN GRAIN ELEVATOR AND LOADING	NAPĘD PRZENOŚNIKA ZIARNA	1	H77766	
12	CLEAN GRAIN ELEVATOR COUNTERSHAFT	NAPĘD PRZENOŚNIKA ZIARNA	1	H27433	
13	COUNTERSHAFT DRIVE (SECONDARY)	NAPĘD WAŁKA POŚREDNIEGO (POMOCNICZY)	1	H110300	
13	COUNTERSHAFT DRIVE (SECONDARY)	NAPĘD WAŁKA POŚREDNIEGO (POMOCNICZY)	1	H81222	
14	DRIVE. SHOE SUPPLY AUGERS	NAPĘD ŚLIMAKA	1	H77010	
15	DRIVE. TAILINGS AUGER	NAPĘD ŚLIMAKA	1	H118730	
16	REAR STRAW CHOPPER DRIVE	TYLNI NAPĘD ROZDRABNIACZA SŁOMY	1	H103344	
17	STRAW CHOPPER DRIVE	NAPĘD ROZDRABNIACZA SŁOMY	1	H101436	
18	FRONT STRAW SPREADER DRIVE	PRZEDNI ROZTRZĄSACZ	1	H112421	
19			1	H86275	X
20	CLEANING FAN DRIVE	NAPĘD WIALNI	1	H108668	
21	SICKLE DRIVE	NAPĘD KOSY	1	H81524	
22	UNLOADING AUGER DRIVE	NAPĘD ŚLIMAKA	2	AH96300	
23	FEEDER HOUSE DRIVE	NAPĘD PRZENOŚNIKA ZIARNA	1	H23927	
24	FEEDER HOUSE LOWER DRIVE	DOLNY NAPĘD PRZENOŚNIKA	1	H77765	
25	MULTI-GROOVE. SEPARATOR DRIVE	NAPĘD WYTRZĄSACZY	1	H108175	
26	HYDROSTATIC GROUND DRIVE	NAPĘD HYDROSTATYCZNY	1	AH79627	
27	HYDROSTATIC CHARGE PUMP DRIVE	NAPĘD POMPY HYDROSTATYCZNEJ	1	H86273	
28	FEEDER HOUSE DRIVE	NAPĘD PRZENOŚNIKA ZIARNA	1	H76030	
29	FEEDER CONVEYOR DRIVE	NAPĘD PRZENOŚNIKA ZASILAJĄCEGO	1	H81222	
30	FEEDER HOUSE LOWER DRIVE	DOLNY NAPĘD PRZENOŚNIKA	1	H33885	

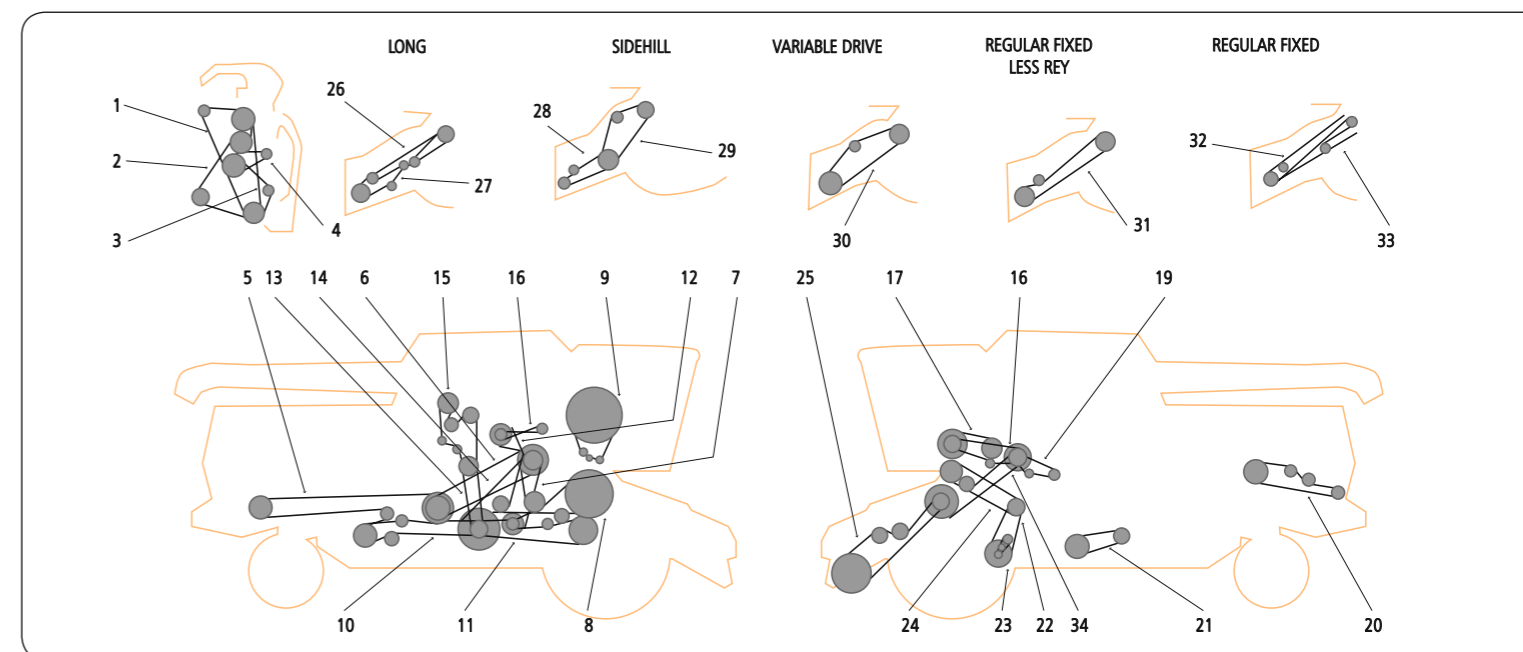
X - not in standard offer / brak w standardowej ofercie

ITEM / POZYCJA	APPLICATION	OPIS	QUANTITY OF V-BELTS IN DRIVE / ILOŚĆ PASÓW W ZESPOLE	OE PART NUMBER / NUMER KATALOGOWY	COMMENT / UWAGI
1	ALTERNATOR AND WATER PUMP (DIESEL)	ALTERNATOR I POMPA WODNA (DIESEL)	1	AR41576	X
1	ALTERNATOR AND WATER PUMP	ALTERNATOR I POMPA WODNA	1	H80896	
1	ALTERNATOR AND WATER PUMP (DIESEL)	ALTERNATOR I POMPA WODNA (DIESEL)	1	H82724	
1	ALTERNATOR AND WATER PUMP 404TH-01	ALTERNATOR I POMPA WODNA 404TH-01	1	R70871	X
1	ALTERNATOR AND WATER PUMP 404TH-01	ALTERNATOR I POMPA WODNA 404TH-01	1	H79236	
1	ALTERNATOR AND WATER PUMP 404DH-04	ALTERNATOR I POMPA WODNA 404DH-04	1	R52507	
2	CLEAN GRAIN ELEVATOR	NAPĘD PRZENOŚNIKA ZIARNA	1	H23950	
3	CLEAN GRAIN ELEVATOR COUNTERSHAFT	NAPĘD PRZENOŚNIKA ZIARNA WAŁ POŚREDNI	1	H27433	
4	CLEANING FAN	NAPĘD WIALNI	1	H108668	
5	COMPRESSOR. AC 404DH-04	KOMPRESOR KLIMATYZACJI 404DH-04	1	H87459	X
5	COMPRESSOR. AC (GAS)	KOMPRESOR KLIMATYZACJI (GAS)	1	H80897	
5	COMPRESSOR. AC 404TH-01	KOMPRESOR KLIMATYZACJI 404TH-01	1	H80896	
5	COMPRESSOR. AC 404TH-01	KOMPRESOR KLIMATYZACJI 404TH-01	1	R71603	
6	280-845 RPM	280-845 RPM	1	AH80505	
6	407-1228 RPM	407-1228 RPM	1	AH80503	
6	287-873 RPM	287-873 RPM	1	H96423	
6	414-1250 RPM	414-1250 RPM	1	H96408	
7			1	H113749	X
8	ENGINE FAN	WENTYLATOR	1	H86271	
9	ENGINE FAN AND ROTARY SCREEN DRIVE SHAFT 404DH-04	NAPĘD KOSZA CHŁODNICY I WENTYLATORA 404DH-04	1	H137207	
9	ENGINE FAN AND ROTARY SCREEN DRIVE SHAFT 404TH-01	NAPĘD KOSZA CHŁODNICY I WENTYLATORA 404TH-01	1	H86273	
10	ENGINE FAN COUNTERSHAFT 404TH-01	POŚREDNI WAŁ NAPĘDU WENTYLATORA 404TH-01	1	H84745	
10	ENGINE FAN COUNTERSHAFT 404DH-01	POŚREDNI WAŁ NAPĘDU WENTYLATORA 404DH-01	1	H79235	
11	FEEDER CONVEYOR (REGULAR FEEDER HOUSE)	NAPĘD PRZENOŚNIKA ZASILAJĄCEGO (STANDARDOWY)	1	H77766	
11	FEEDER CONVEYOR (LONG FEEDER HOUSE)	NAPĘD PRZENOŚNIKA ZASILAJĄCEGO (DŁUGI)	1	H125380	
12	PLATFORM AND FEEDER HOUSE UPPER	NAPĘD GÓRNEGO PRZENOŚNIKA	1	H76030	
12	PLATFORM AND FEEDER HOUSE VARI-SPEED UPPER	NAPĘD GÓRNEGO PRZENOŚNIKA ZMIENNA PRĘDKOŚĆ	1	H23927	
13	PROPULSION HYDROSTATIC DRIVE LOWER	DOLNY NAPĘD HYDROSTATYCZNY	2	AH84633	
13	PROPULSION POSI-TORQUE LOWER	NAPĘD DOLNY	1	H75846	X
14	PLATFORM AND CORN HEAD	NAPĘD PRZYSTAWKI KUKURYDZY	1	AH76154	
14	PLATFORM AND CORN HEAD LOWER VARIABLE	DOLNY NAPĘD PRZYSTAWKI KUKURYDZY	1	AH89436	
14	PROPULSION BELT DRIVE LOWER	NAPĘD DOLNY	1	H75846	X
15	PLATFORM AND CORN HEAD MIDDLE VARI	ŚRODKOWY NAPĘD PRZYSTAWKI KUKURYDZY	1	P46553	X
15	PLATFORM AND CORN HEAD MIDDLE VARI	ŚRODKOWY NAPĘD PRZYSTAWKI KUKURYDZY	1	H84441	X
16	PLATFORM AND FEEDER HOUSE LOWER REGULAR	NAPĘD DOLNEGO PRZENOŚNIKA (STANDARDOWY)	1	H77765	
16	PLATFORM AND FEEDER HOUSE LOWER LONG	NAPĘD DOLNEGO PRZENOŚNIKA (DŁUGI)	1	H79796	



ITEM / POZYCJA	APPLICATION	OPIS	QUANTITY OF V-BELTS IN DRIVE / ILOŚĆ PASÓW W ZESPOLE	OE PART NUMBER / NUMER KATALOGOWY	COMMENT / UWAGI
17	PROPULSION HYDROSTATIC DRIVE UPPER	GÓRNY NAPĘD HYDROSTATYCZNY	2	AH84633	
17	PROPULSION POSI-TORQUE UPPER 404D	NAPĘD GÓRNY 404D	2	AH21301	
17	PROPULSION POSI-TORQUE UPPER 404T	NAPĘD GÓRNY 404T	2	AH87127	
17	PROPULSION DRIVE UPPER	NAPĘD GÓRNY	1	H75846	X
18	PRIMARY COUNTERSHAFT	NAPĘD WAŁKA POŚREDNIEGO (GŁÓWNY)	1	H84462	
18	PRIMARY COUNTERSHAFT 404TH-01	NAPĘD WAŁKA POŚREDNIEGO (GŁÓWNY) 404TH-01	1	H108175	
18	PRIMARY COUNTERSHAFT	NAPĘD WAŁKA POŚREDNIEGO (GŁÓWNY)	2	AH75638	
19	ROTARY REFLECTOR	ODRZUTNIK	1	H86039	
19	ROTARY DEFLECTOR	ODRZUTNIK	1	H86061	
20	CLEAN GRAIN ELEVATOR	NAPĘD PRZENOŚNIKA ZIARNA	1	H77766	
21	ROTARY SCREEN	NAPĘD KOSZA CHŁODNICY	1	H86259	X
22	SECONDARY COUNTERSHAFT	NAPĘD WAŁKA POŚREDNIEGO (POMOCNICZY)	1	H77019	
23	SHOE GRAIN SUPPLY AUGERS	PRZENOŚNIK ŚLIMAKOWY ZIARNA	1	H77010	
24	STRAW CHOPPER. REAR	SIECZKARNIA TYŁ	1	H79789	
25	STRAW SPREADER	ROZTRZĄSACZ	1	H26858	
26	TAILINGS LOWER AUGER	DOLNY ŚLIMAK	1	N110085	
27	UNLOADING AUGER COUNTERSHAFT	NAPĘD ŚLIMAKA WYSYPU ZBIORNIKA	1	H76150	
27	UNLOADING AUGER COUNTERSHAFT 404TH-01	NAPĘD ŚLIMAKA WYSYPU ZBIORNIKA 404TH-01	1	H84424	X
29	HYDROSTATIC REEL PUMP	NAPĘD POMPY HYDROSTATYCZNEJ MOTOWIDEŁ	1	H77683	X
30	CHARGE PUMP. HYDROSTATIC DRIVE	NAPĘD POMPY HYDROSTATYCZNEJ	1	T12042	X
30	CHARGE PUMP. HYDROSTATIC DRIVE	NAPĘD POMPY HYDROSTATYCZNEJ	1	T199T	X
31	STRAWCHOPPER	SIECZKARNIA	1	H80103	
0			1	AR41628	X
0			1	H84740	X

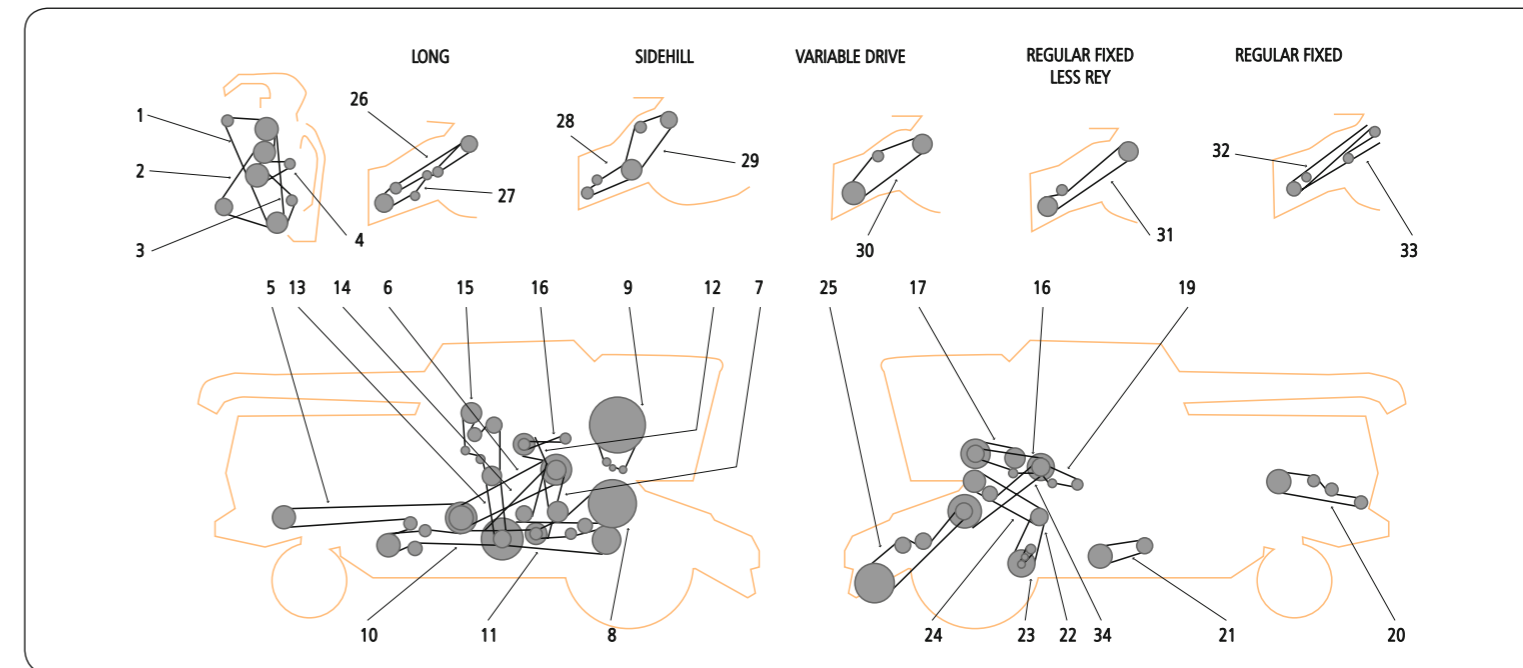
X - not in standard offer / brak w standardowej ofercie



ITEM / POZYCJA	APPLICATION	OPIS	QUANTITY OF V-BELTS IN DRIVE / ILOŚĆ PASÓW W ZESPOLE	OE PART NUMBER / NUMER KATALOGOWY	COMMENT / UWAGI
1	ALTERNATOR AND WATER PUMP	NAPĘD ALTERNATORA, POMPY WODNEJ	1	H79236	
2	COMPRESSOR. AIR CONDITIONING	NAPĘD KOMPRESORA KLIMATYZACJI	1	H113565	
2	COMPRESSOR. AIR CONDITIONING	NAPĘD KOMPRESORA KLIMATYZACJI	1	R71603	
3	FAN	NAPĘD WENTYLATORA	1	H86271	
4	ROTARY SCREEN DRIVE SHAFT	NAPĘD KOSZA CHŁODNICY	1	H86273	
5	ROTARY SCREEN DRIVE	NAPĘD KOSZA CHŁODNICY	1	H86259	X
6	DRIVE. UPPER COUNTERSHAFT 2480 MM	NAPĘD WAŁKA POŚREDNIEGO (GÓRNY)	1	P49415	
7	DRIVE. LOWER COUNTERSHAFT 2650 MM	NAPĘD WAŁKA POŚREDNIEGO (DOLNY)	1	E60212	
8	REAR STRAW CHOPPER DRIVE	TYLNI NAPĘD ROZDRABNIACZA SŁOMY	1	H103344	
9	STRAW CHOPPER DRIVE	NAPĘD ROZDRABNIACZA SŁOMY	1	H101436	
10	TORQUE-SENSING COUNTERSHAFT DRIVE		1	H113749	X
11	CYLINDER (STANDARD)	NAPĘD BĘBNA MŁÓCĄCEGO	1	H110375	
11	CYLINDER (OPTIONAL)	NAPĘD BĘBNA MŁÓCĄCEGO	1	H96422	
11	CYLINDER (315 TO 830 RPM)	NAPĘD BĘBNA MŁÓCĄCEGO	1	H96423	
12	DRIVE. CLEAN GRAIN ELEVATOR AND LOADING	NAPĘD PRZENOŚNIKA ZIARNA	1	H77766	
12	CYLINDER	NAPĘD BĘBNA MŁÓCĄCEGO	1	H96408	
13	CLEAN GRAIN ELEVATOR COUNTERSHAFT	NAPĘD PRZENOŚNIKA ZIARNA	1	H27433	
14	COUNTERSHAFT DRIVE (SECONDARY)	NAPĘD WAŁKA POŚREDNIEGO (POMOCNICZY)	1	H110300	
14	COUNTERSHAFT DRIVE (SECONDARY)	NAPĘD WAŁKA POŚREDNIEGO (POMOCNICZY)	1	H81222	
15	DRIVE. SHOE SUPPLY AUGERS	NAPĘD ŚLIMAKA	1	H77010	
16	DRIVE. TAILINGS AUGER	NAPĘD ŚLIMAKA	1	H118730	
17	BEATER (150 PERCENT BEATER SPEED)	NAPĘD BĘBNA MŁÓCĄCEGO	1	H101469	
17	BEATER (100 PERCENT BEATER SPEED)	NAPĘD BĘBNA MŁÓCĄCEGO	1	H96414	
18	FEEDER HOUSE DRIVE	NAPĘD PRZENOŚNIKA ZIARNA	1	H76030	
19	FEEDER CONVEYOR DRIVE	NAPĘD PRZENOŚNIKA ZASILAJĄCEGO	1	H125380	
20	FEEDER HOUSE LOWER DRIVE	DOLNY NAPĘD PRZENOŚNIKA	1	H79796	
21	FEEDER HOUSE DRIVE	NAPĘD PRZENOŚNIKA ZIARNA	1	H76030	
22	FEEDER CONVEYOR DRIVE	NAPĘD PRZENOŚNIKA ZASILAJĄCEGO	1	H77766	
23	LOWER DRIVE	DOLNY NAPĘD	1	H77765	
24	UNLOADING AUGER DRIVE	NAPĘD ŚLIMAKA	2	AH96300	
25	FEEDER HOUSE DRIVE	NAPĘD PRZENOŚNIKA ZIARNA	1	H23927	
26	FEEDER HOUSE LOWER DRIVE (REGULAR)	DOLNY NAPĘD PRZENOŚNIKA	1	H111519	
26	FEEDER HOUSE LOWER DRIVE (LONG)	DOLNY NAPĘD PRZENOŚNIKA	1	H97929	
27	MULTI-GROOVE SEPARATOR DRIVE	NAPĘD WYTRZĄSACZY	1	H108175	
28	FEEDER HOUSE DRIVE	NAPĘD PRZENOŚNIKA ZIARNA	1	H76030	
29	LOWER DRIVE	DOLNY NAPĘD	1	Z30130	

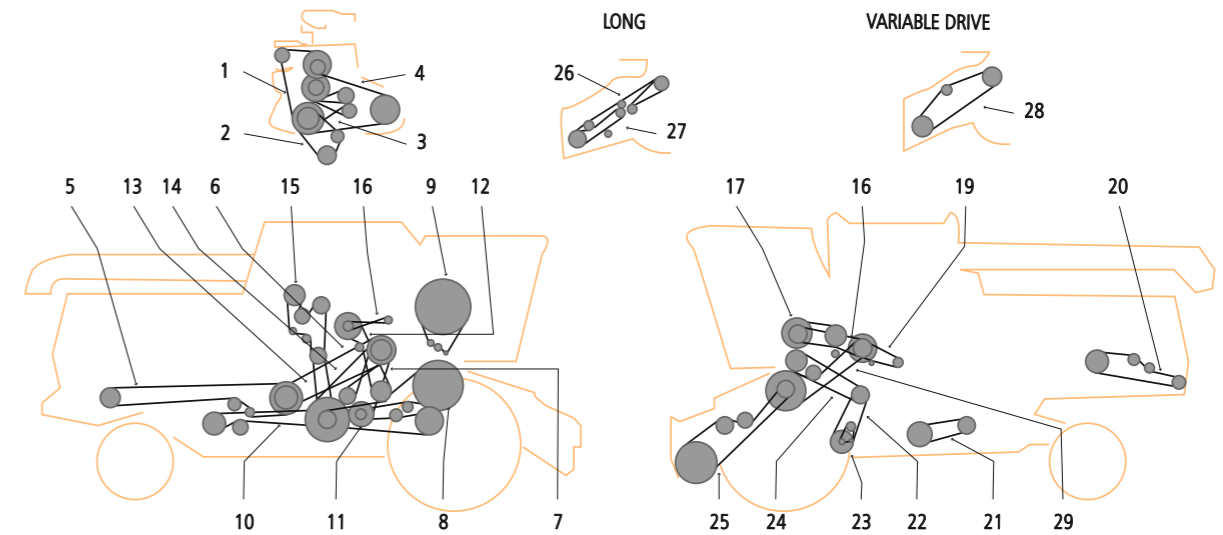
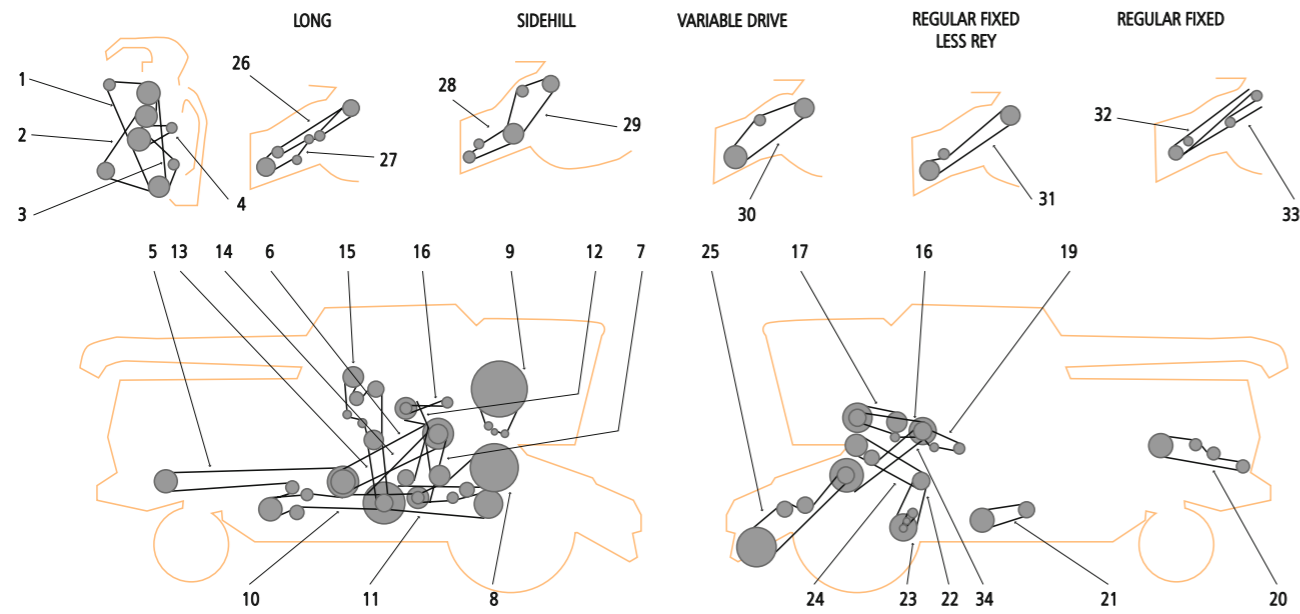
ITEM / POZYCJA	APPLICATION	OPIS	QUANTITY OF V-BELTS IN DRIVE / ILOŚĆ PASÓW W ZESPOLE	OE PART NUMBER / NUMER KATALOGOWY	COMMENT / UWAGI
30	CLEANING FAN DRIVE	NAPĘD WIALNI	1	H108669	
31	FEEDER HOUSE DRIVE CONVEYOR	NAPĘD PRZENOŚNIKA ZASILAJĄCEGO	1	H110921	X
32	FEEDER HOUSE DRIVE	NAPĘD PRZENOŚNIKA ZIARNA	1	H23927	
33	FRONT STRAW SPREADER DRIVE	PRZEDNI ROZTRZĄSACZ	1	H112421	
34	UPPER GROUND SPEED DRIVE	NAPĘD POŚREDNI JAZDY GÓRNY	2	AH87127	
35	LOWER GROUND SPEED DRIVE	NAPĘD POŚREDNI JAZDY DOLNY	1	H75846	X
36	UPPER GROUND SPEED DRIVE	NAPĘD POŚREDNI JAZDY GÓRNY	2	AH84633	
37			1	H137207	
38	LOWER GROUND SPEED DRIVE	NAPĘD POŚREDNI JAZDY DOLNY	2	AH84633	
39	HYDROSTATIC CHARGE PUMP DRIVE	NAPĘD POMPY HYDROSTATYCZNEJ	1	T199T	X
39	HYDROSTATIC CHARGE PUMP DRIVE	NAPĘD POMPY HYDROSTATYCZNEJ	1	T32517	X

X - not in standard offer / brak w standardowej ofercie



ITEM / POZYCJA	APPLICATION	OPIS	QUANTITY OF V-BELTS IN DRIVE / ILOŚĆ PASÓW W ZESPOLE	OE PART NUMBER / NUMER KATALOGOWY	COMMENT / UWAGI
1	BEATER (150 PERCENT BEATER SPEED)	NAPĘD BĘBNA MŁÓCĄCEGO	1	H77010	
1	BEATER (100 PERCENT BEATER SPEED)	NAPĘD BĘBNA MŁÓCĄCEGO	1	H96414	
2	COMPRESSOR	NAPĘD KOMPRESORA	1	H122189	
2	DRIVE. SHOE SUPPLY AUGERS	NAPĘD ŚLIMAKA	1	H77010	
3	DRIVE. TAILINGS AUGER	NAPĘD ŚLIMAKA	1	H118730	
4	DRIVE. CLEAN GRAIN ELEVATOR COUNTERSHAFT	NAPĘD PRZENOŚNIKA ZIARNA	1	H27433	
5	DRIVE. CLEAN GRAIN ELEVATOR AND LOADING	NAPĘD PRZENOŚNIKA ZIARNA	1	H77766	
6	TORQUE-SENSING COUNTERSHAFT DRIVE		1	H113759	X
7	CYLINDER (STANDARD)	NAPĘD BĘBNA MŁÓCĄCEGO	1	H110375	
7	CYLINDER (315 TO 830 RPM)	NAPĘD BĘBNA MŁÓCĄCEGO	1	H96421	
7	CYLINDER (390 TO 1030 OR 450 T)	NAPĘD BĘBNA MŁÓCĄCEGO	1	H96422	
8	DRIVE. REAR. STRAW CHOPPER	NAPĘD ROZDRABNIACZA SŁOMY	1	H103344	
9			1	H101436	
10	FRONT STRAW SPREADER DRIVE	PRZEDNI ROZTRZĄSACZ	1	H112421	
11	FEEDER CONVEYOR DRIVE	NAPĘD PRZENOŚNIKA ZASILAJĄCEGO	1	H77766	
12	FEEDER HOUSE DRIVE	NAPĘD PRZENOŚNIKA ZIARNA	1	H76030	
13	LOWER DRIVE	DOLNY NAPĘD	1	H77765	
14	UNLOADING AUGER COUNTERSHAFT	NAPĘD ŚLIMAKA	1	H23950	
15	PRIMARY COUNTERSHAFT	NAPĘD WAŁKA POŚREDNIEGO (GŁÓWNY)	1	H94508	
16	DRIVE	NAPĘD	1	H86274	X
17	CLEANING FAN DRIVE	NAPĘD WIALNI	1	H108669	

X - not in standard offer / brak w standardowej ofercie

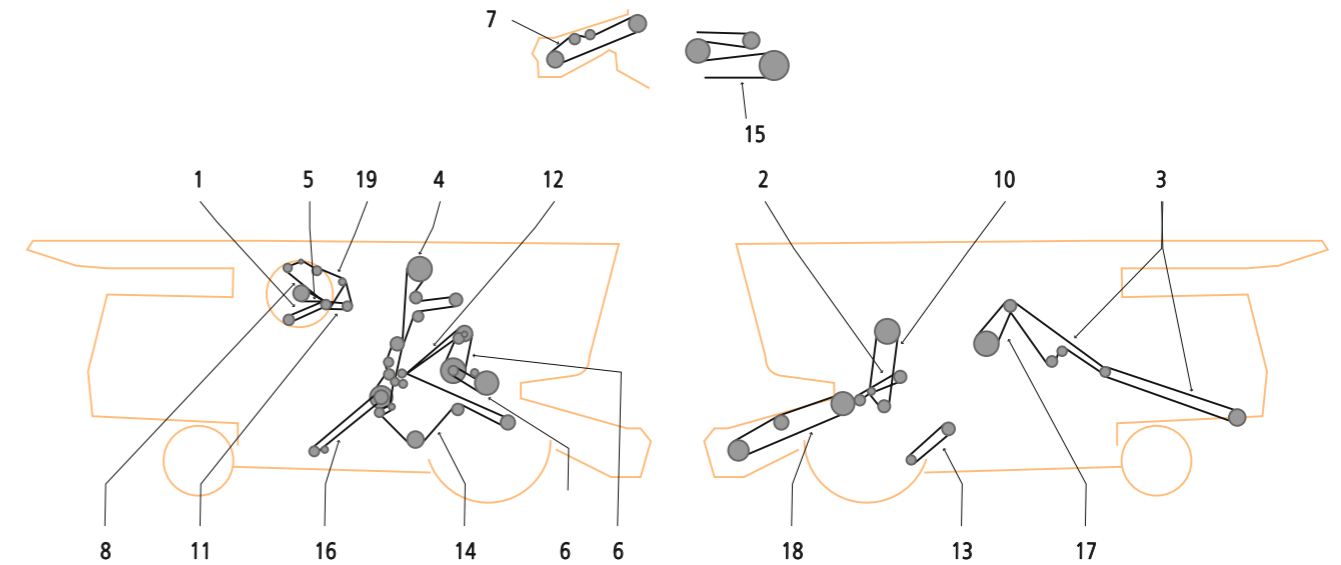
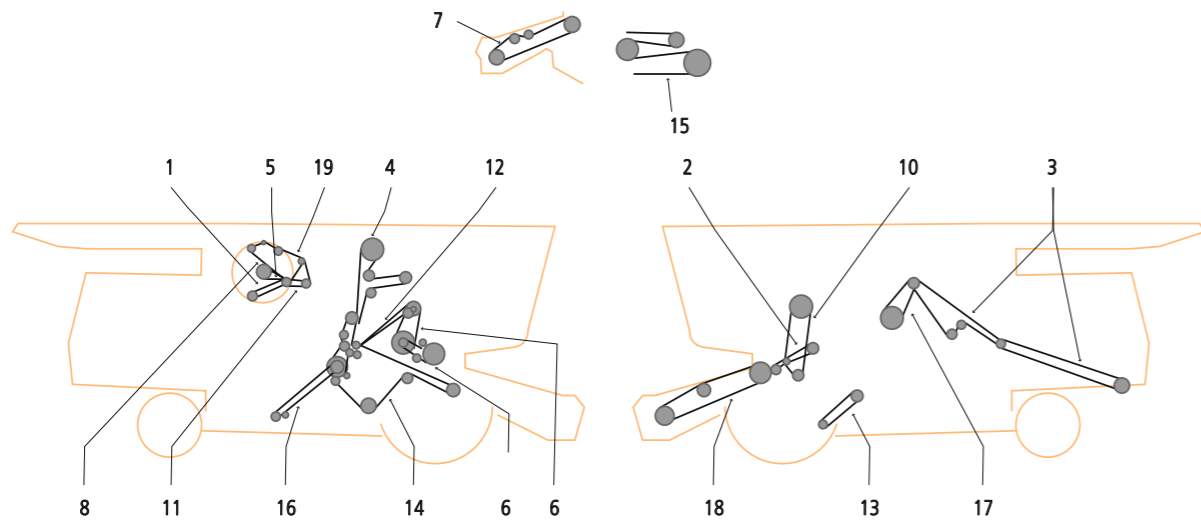


ITEM / POZYCJA	APPLICATION	OPIS	QUANTITY OF V-BELTS IN DRIVE / ILOŚĆ PASÓW W ZESPOLE	OE PART NUMBER / NUMER KATALOGOWY	COMMENT / UWAGI
1	FAN AND HYDRAULIC PUMP	WENTYLATOR I POMPA HYDRAULICZNA	1	AH96333	
3	ROTARY SCREEN DRIVE	NAPĘD KOSZA CHŁODNICY	1	H86273	
4	ALTERNATOR AND WATER PUMP	NAPĘD ALTERNATORA, POMPY WODNEJ	1	H86271	
5	UPPER GROUND SPEED DRIVE	NAPĘD POŚREDNI JAZDY GÓRNY	2	AH84633	
6	LOWER GROUND SPEED DRIVE	NAPĘD POŚREDNI JAZDY DOLNY	2	HAN1220	X
7	HYDROSTATIC CHARGE PUMP DRIVE	NAPĘD POMPY HYDROSTATYCZNEJ	1	T32517	X
8	LEVELLING SYSTEM PUMP	NAPĘD POMPY	1	HAN1177	X
9	ENGINE POWERSHAFT	SILNIK - WAŁ	2	AH84633	
10	ENGINE POWERSHAFT	SILNIK - WAŁ	1	H108175	
11	ENGINE POWERSHAFT	SILNIK - WAŁ	2	AH96300	
12	FEEDER HOUSE LOWER SHAFT	DOLNY NAPĘD PRZENOŚNIKA	1	H111519	
13	FEEDER UPPER SHAFT	GÓRNY PRZENOŚNIK	1	H97929	
14	FEEDER HOUSE UPPER SHAFT	GÓRNY NAPĘD PRZENOŚNIKA	1	H23927	
15	CUTTERBAR DRIVE (HILLSIDE)	NAPĘD POŚREDNI HEDERA	1	H21925	

X - not in standard offer / brak w standardowej ofercie

ITEM / POZYCJA	APPLICATION	OPIS	QUANTITY OF V-BELTS IN DRIVE / ILOŚĆ PASÓW W ZESPOLE	OE PART NUMBER / NUMER KATALOGOWY	COMMENT / UWAGI
1	HYDRAULIC PUMP DRIVE	NAPĘD POMPY HYDRAULICZNEJ	1	AH96333	
2	COMPRESSOR DRIVE	NAPĘD KOMPRESORA	1	R71603	
3	ROTARY SCREEN DRIVE	NAPĘD KOSZA CHŁODNICY	1	H86273	
4	ALTERNATOR AND WATER PUMP DRIVE	NAPĘD ALTERNATORA, POMPY WODNEJ	1	H79236	
4	ALTERNATOR AND WATER PUMP DRIVE	NAPĘD ALTERNATORA, POMPY WODNEJ	1	H86271	
5	ROTARY SCREEN DRIVE	NAPĘD KOSZA CHŁODNICY	1	H86259	X
6	REAR STRAW CHOPPER DRIVE	TYLNI NAPĘD ROZDRABNIACZA SŁOMY	1	H103344	
7	STRAW CHOPPER DRIVE	NAPĘD ROZDRABNIACZA SŁOMY	1	H101436	
8	TORQUE-SENSING COUNTERSHAFT DRIVE		1	H113749	X
9	CYLINDER DRIVE	NAPĘD BĘBNA MŁÓCĄCEGO	1	H96421	
9	CYLINDER DRIVE	NAPĘD BĘBNA MŁÓCĄCEGO	1	H96422	
9	CYLINDER DRIVE	NAPĘD BĘBNA MŁÓCĄCEGO	1	H110375	
10	CLEAN GRAIN ELEVATOR AND LOADING DRIVE	NAPĘD PRZENOŚNIKA CZYSZCZENIA ZIARNA I ZAŁADUNKU	1	H77766	
11	CLEAN GRAIN ELEVATOR COUNTERSHAFT	NAPĘD POŚREDNI PRZENOŚNIKA ZIARNA	1	H27433	
12	COUNTERSHAFT DRIVE (SECONDARY)	NAPĘD WAŁKA POŚREDNIEGO (POMOCNICZY)	1	H81222	
12	COUNTERSHAFT DRIVE (SECONDARY)	NAPĘD WAŁKA POŚREDNIEGO (POMOCNICZY)	1	H110300	
13	SHOE SUPPLY AUGERS DRIVE	NAPĘD PRZENOŚNIKA ŚLIMAKOWEGO	1	H77010	
14	TAILINGS AUGER DRIVE	NAPĘD ŚLIMAKA KŁOSOWEGO	1	H118730	
15	BEATER DRIVE	NAPĘD MŁOCARNI	1	H96414	
15	BEATER DRIVE	NAPĘD MŁOCARNI	1	H101469	
16	FEEDER HOUSE DRIVE	NAPĘD PRZENOŚNIKA ZIARNA	1	H76030	
17	FEEDER CONVEYOR DRIVE	NAPĘD PRZENOŚNIKA ZASILAJĄCEGO	1	H125380	
18	FEEDER HOUSE LOWER DRIVE	DOLNY NAPĘD PRZENOŚNIKA	1	H79796	
19	UNLOADING AUGER DRIVE	NAPĘD ŚLIMAKA WYSYPU ZBIORNIKA	2	AH96300	
20	FEEDER HOUSE DRIVE	NAPĘD PRZENOŚNIKA ZIARNA	1	H23927	
21	FEEDER HOUSE LOWER DRIVE	DOLNY NAPĘD PRZENOŚNIKA	1	H97929	
22	MULTI-GROOVE SEPARATOR DRIVE	NAPĘD WYTRZĄSACZY	1	H108175	
23	FEEDER HOUSE DRIVE	NAPĘD PRZENOŚNIKA ZIARNA	1	H76030	
24	LOWER DRIVE	DOLNY NAPĘD	1	H79796	
25	CLEANING FAN DRIVE	NAPĘD WIALNI CZYSZCZĄCEJ	1	H108669	
26	FEEDER HOUSE DRIVE CONVEYOR	NAPĘD PRZENOŚNIKA ZASILAJĄCEGO	1	H110921	X
27	FEEDER HOUSE DRIVE	NAPĘD PRZENOŚNIKA ZIARNA	1	H23927	
28	FRONT STRAW SPREADER DRIVE	PRZEDNI NAPĘD ROZTRZĄSACZA SŁOMY	1	H112421	
29	UPPER GROUND SPEED DRIVE	NAPĘD POŚREDNI JAZDY GÓRNY	2	AH84633	
30	ENGINE FAN AND ROTARY SCREEN DRIVE SHAFT	NAPĘD WENTYLATORA I PRZESIEWACZA BĘBNOWEGO	1	H86275	X
30	ENGINE FAN AND ROTARY SCREEN DRIVE SHAFT	NAPĘD WENTYLATORA I PRZESIEWACZA BĘBNOWEGO	1	H137207	
31	LOWER GROUND SPEED DRIVE	NAPĘD POŚREDNI JAZDY DOLNY	2	AH84633	
32	HYDROSTATIC CHARGE PUMP DRIVE	NAPĘD POMPY HYDROSTATYCZNEJ	1	T32517	X

X - not in standard offer / brak w standardowej ofercie

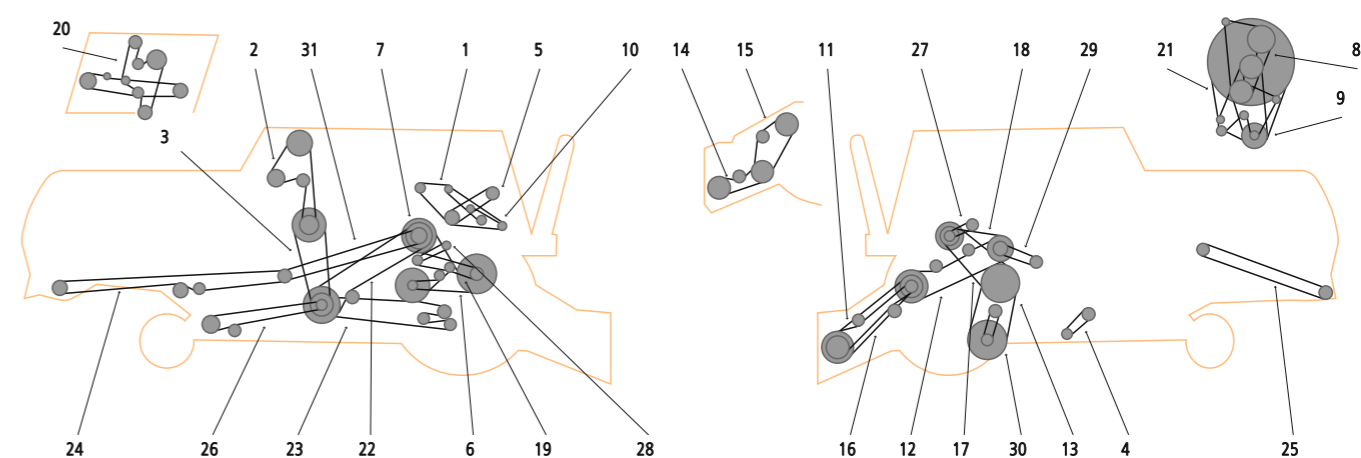
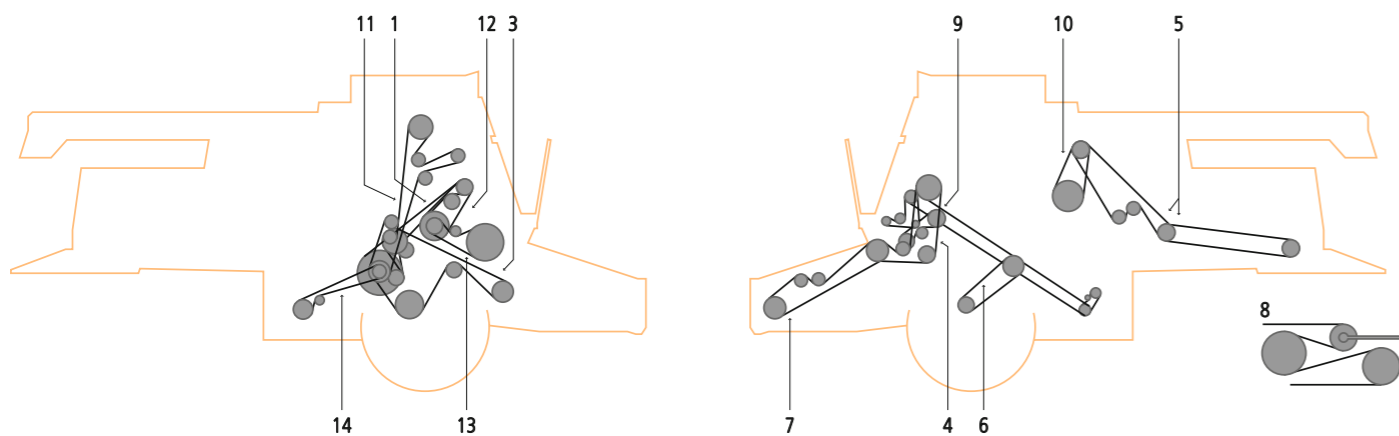


ITEM / POZYCJA	APPLICATION	OPIS	QUANTITY OF V-BELTS IN DRIVE / ILOŚĆ PASÓW W ZESPOLE	OE PART NUMBER / NUMER KATALOGOWY	COMMENT / UWAGI
1	COOLING FAN	NAPĘD POMPY WODNEJ	1	H132809	
2	ROTARY SCREEN DRIVE	NAPĘD KOSZA CHŁODNICY	1	H143869	X
3	ROTARY SCREEN DRIVE	NAPĘD KOSZA CHŁODNICY	1	H134216	X
4	AIR CONDITIONING COMPRESSOR	NAPĘD KOMPRESORA KLIMATYZACJI	1	H134772	
5	CLEAN GRAIN ELEVATOR DRIVE	NAPĘD PRZENOŚNIKA ZIARNA	1	H137830	
6	CYLINDER INTERMEDIATE DRIVE	NAPĘD POŚREDNI BĘBNA	1	H115759	X
6	CLEAN GRAIN ELEVATOR DRIVE	NAPĘD PRZENOŚNIKA ZIARNA	1	H141167	
6	FOR EXTENDED RANGE		1	H137670	X
7	CYLINDER DRIVE	NAPĘD BĘBNA MŁÓCĄCEGO	1	H118618	
7	CYLINDER DRIVE	NAPĘD BĘBNA MŁÓCĄCEGO	1	H115881	
8	LOWER TAILINGS AUGER AND ELEVATOR	DOLNY PRZENOŚNIK NIE DOMŁÓCONYCH KŁOSÓW I PODNOŚNIK	1	N110085	
9	ALTERNATOR DRIVE	NAPĘD ALTERNATORA	2	H145026	
9	ALTERNATOR DRIVE	NAPĘD ALTERNATORA	2	RE44538	X
10	COUNTERSHAFT DRIVE (SECONDARY)	NAPĘD WAŁKA POŚREDNIEGO (POMOCNICZY)	1	H128010	
11	SHOE STRAW WALKER AND CONVEYOR AUGERS	PRZENOŚNIK ŚLIMAKOWY	1	H131169	
12	UNLOADING SYSTEM	SYSTEM ROZŁADUNKU	1	AH127866	
13	SHORT REAR	KRÓTKI TYŁ	1	L4276N	
13	LONG REAR	DŁUGI TYŁ	1	H101436	
13	FRONT STRAW SPREADER DRIVE	PRZEDNI NAPĘD ROZTRZĄSACZA SŁOMY	1	H125380	
14	REGULAR FAN DRIVE	NAPĘD WENTYLATORA	1	H140404	
14	SLOW SPEED		1	H137264	
15	HEADER AND REEL PUMP DRIVE	NAPĘD HEDERU I POMPY MOTOWIDEŁ	1	H125565	
15	HAEDER AND REEL PUMP DRIVE	NAPĘD HEDERU I POMPY MOTOWIDEŁ	1	H140160	
16	FEEDER SPEED HOUSE	NAPĘD PRZENOŚNIKA ZBOŻA	1	H125711	X
17	BEATER DRIVE	NAPĘD MŁOCARNI	1	AH131960	
17	BEATER DRIVE	NAPĘD MŁOCARNI	1	AH139436	
18	FIXED SPEED FEEDER HOUSE WITH REVERSER	PRZENOŚNIK	1	H126345	
19	STRAW SPREADER	ROZTRZĄSACZ	1	Z33774	

X - not in standard offer / brak w standardowej ofercie

ITEM / POZYCJA	APPLICATION	OPIS	QUANTITY OF V-BELTS IN DRIVE / ILOŚĆ PASÓW W ZESPOLE	OE PART NUMBER / NUMER KATALOGOWY	COMMENT / UWAGI
1	COOLING FAN	NAPĘD POMPY WODNEJ	1	H132808	
2	ROTARY SCREEN DRIVE	NAPĘD KOSZA CHŁODNICY	1	H143869	X
3	ROTARY SCREEN DRIVE	NAPĘD KOSZA CHŁODNICY	1	H134216	X
4	AIR CONDITIONING COMPRESSOR	NAPĘD KOMPRESORA KLIMATYZACJI	1	H134437	
5	CLEAN GRAIN ELEVATOR DRIVE	NAPĘD PRZENOŚNIKA ZIARNA	1	H137830	
5	CLEAN GRAIN ELEVATOR DRIVE	NAPĘD PRZENOŚNIKA ZIARNA	1	H141167	
6	CYLINDER INTERMEDIATE DRIVE	NAPĘD POŚREDNI BĘBNA	1	H115759	X
6	FOR EXTENDED RANGE		1	H137670	X
7	CYLINDER DRIVE	NAPĘD BĘBNA MŁÓCĄCEGO	1	H118618	
7	CYLINDER DRIVE	NAPĘD BĘBNA MŁÓCĄCEGO	1	H115881	
8	LOWER TAILINGS AUGER AND ELEVATOR	DOLNY PRZENOŚNIK NIE DOMŁÓCONYCH KŁOSÓW I PODNOŚNIK	1	N110085	
9	ALTERNATOR DRIVE	NAPĘD ALTERNATORA	1	H134344	
10	COUNTERSHAFT DRIVE (SECONDARY)	NAPĘD WAŁKA POŚREDNIEGO (POMOCNICZY)	1	H128010	
11	SHOE STRAW WALKER AND CONVEYOR AUGERS	PRZENOŚNIK ŚLIMAKOWY	1	H131169	
12	UNLOADING SYSTEM	SYSTEM ROZŁADUNKU	1	AH127866	
13	SHORT REAR	KRÓTKI TYŁ	1	P47885	
13	LONG REAR	DŁUGI TYŁ	1	H125381	
13	FRONT STRAW SPREADER DRIVE	PRZEDNI NAPĘD ROZTRZĄSACZA SŁOMY	1	H125380	
14	REGULAR FAN DRIVE	NAPĘD WENTYLATORA	1	H140404	
14	SLOW SPEED		1	H137264	
15	HEADER AND REEL PUMP DRIVE	NAPĘD HEDERU I POMPY MOTOWIDEŁ	1	H125565	
15	HAEDER AND REEL PUMP DRIVE	NAPĘD HEDERU I POMPY MOTOWIDEŁ	1	H140160	
16	FEEDER SPEED HOUSE	NAPĘD PRZENOŚNIKA ZBOŻA	1	H125711	X
17	OPTIONAL BEATER DRIVE	ALTERNATYWNY NAPĘD MŁOCARNI	1	AH131960	
17	BEATER DRIVE	NAPĘD MŁOCARNI	1	AH139436	
18	FIXED SPEED FEEDER HOUSE WITH REVERSER	PRZENOŚNIK	1	H126345	
19	STRAW SPREADER	ROZTRZĄSACZ	1	H128234	

X - not in standard offer / brak w standardowej ofercie



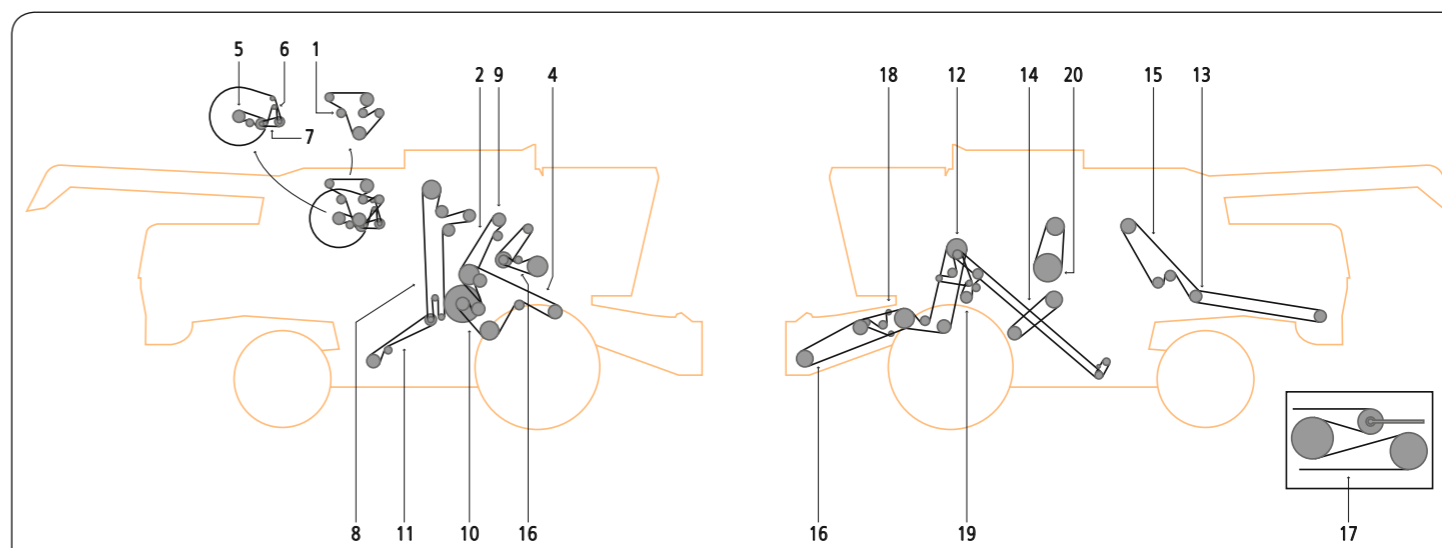
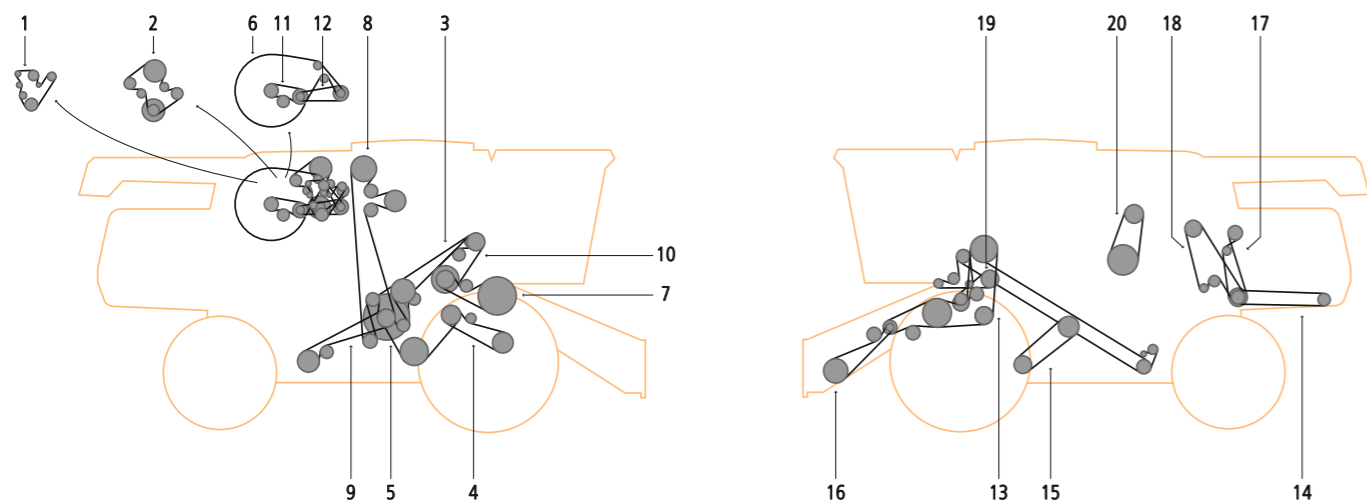
ITEM / POZYCJA	APPLICATION	OPIS	QUANTITY OF V-BELTS IN DRIVE / ILOŚĆ PASÓW W ZESPOLE	OE PART NUMBER / NUMER KATALOGOWY	COMMENT / UWAGI
1	SECONDARY COUNTERSHAFT	NAPĘD WAŁKA POŚREDNIEGO (POMOCNICZY)	1	H128010	
3	SHOE, STRAW WALKER AND CONVEYOR AUGERS	PRZENOŚNIK	1	H131169	
4			1	H140160	
5	FRONT		1	AH200021	X
5	LONG REAR	DŁUGI TYŁ	1	H125381	
5	SHORT REAR	KRÓTKI TYŁ	1	P47885	
6	REGULAR	STANDARDOWY	1	H140404	
6	SLOW SPEED	MAŁA PRĘDKOŚĆ	1	H137264	
7	FIXED SPEED FEEDER HOUSE WITH REVERSER	STAŁA PRĘDKOŚĆ ZESPÓŁ PODAJNIKA POCHYLNEGO	1	H126345	
8	STRAW SPREADER	ROZTRZĄSACZ	1	H128234	
9	FOR (100 PER CENT) REGULAR DRIVE -640400	DLA (100 PROCENT) STANDARDOWEGO NAPĘDU -640400	1	AH120918	X
9	FOR (100 PER CENT) REGULAR DRIVE	DLA (100 PROCENT) STANDARDOWEGO NAPĘDU	1	AH139436	
9	FOR (75 PER CENT) DRIVE	NAPĘD STANDARDOWY (75 PROCENT)	1	AH131960	
10	UNLOADING SYSTEM	SYSTEM WYŁADUNKU	1	AH127866	
11	CLEAN GRAIN ELEVATOR	NAPĘD PRZENOŚNIKA ZIARNA	1	H137830	
12	CYLINDER INTERMEDIATE DRIVE	NAPĘD POŚREDNI CYLINDRA	1	H115759	X
13			1	H115881	
14	LOWER TAILING AUGER AND ELEVATOR	NAPĘD DOLNEGO ŚLIMAKA KŁOSOWEGO I PRZENOŚNIKA	1	N110085	

X - not in standard offer / brak w standardowej ofercie

ITEM / POZYCJA	APPLICATION	OPIS	QUANTITY OF V-BELTS IN DRIVE / ILOŚĆ PASÓW W ZESPOLE	OE PART NUMBER / NUMER KATALOGOWY	COMMENT / UWAGI
0	9560		1	H128234	
1			1	H175632	
2			1	H115881	
3			1	H177263	
4			1	N110085	
5			1	H175742	X
6	9560 / 9580		1	H146636	
6	9540		1	H177589	
7	9540		1	H175467	X
7	9560 / 9580		1	H177186	X
8			1	H176765	X
10			1	H177177	
11			1	H152146	
12			1	H176766	
13	FOR HILLMASTER ONLY		1	H202821	
16			1	AH139436	
17			2	AH158880	

X - not in standard offer / brak w standardowej ofercie



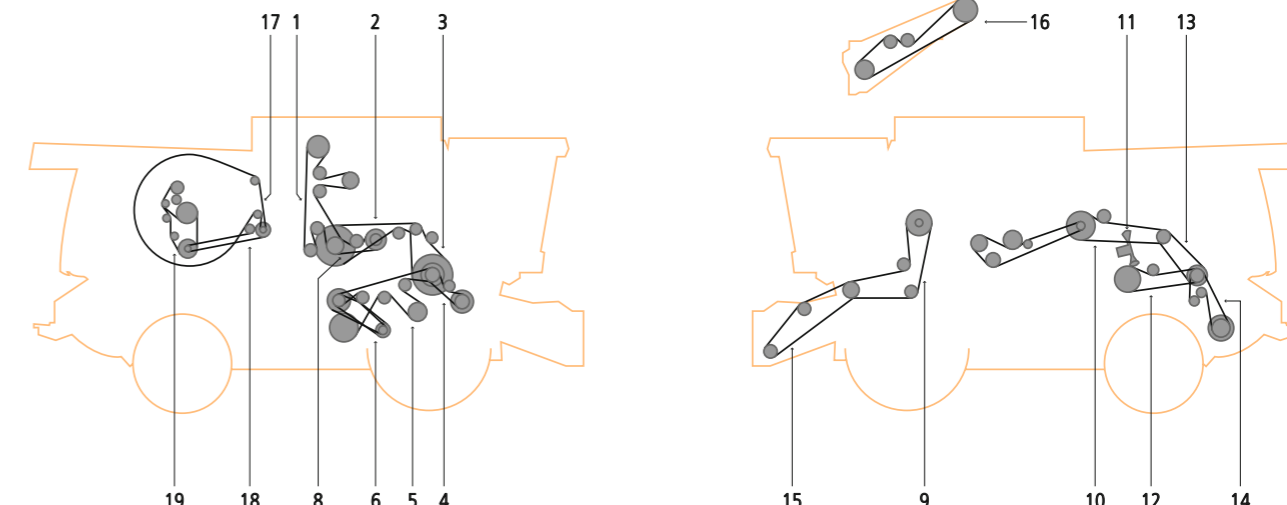
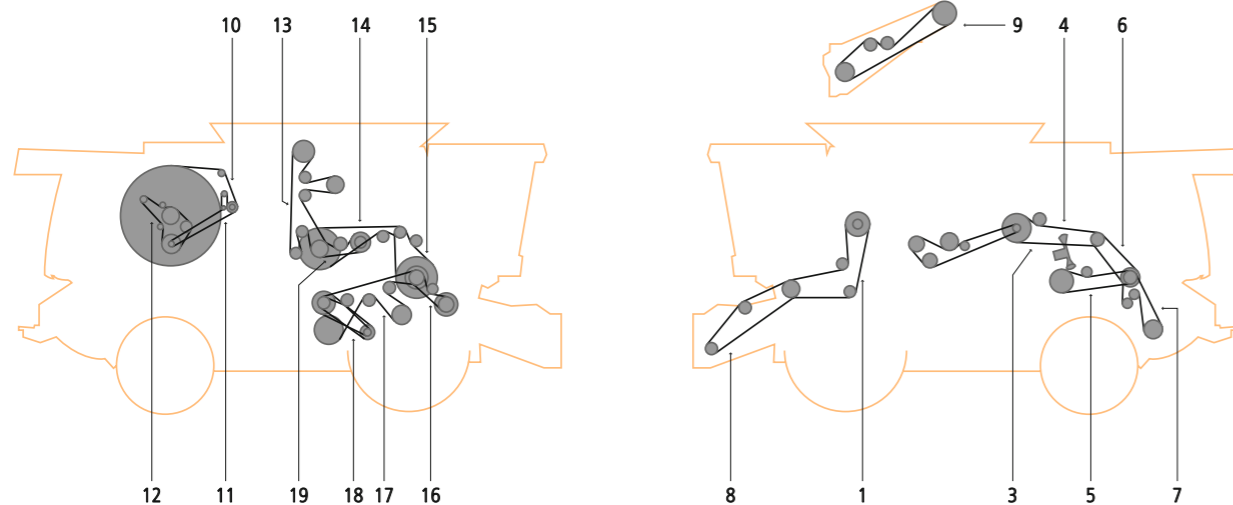


ITEM / POZYCJA	APPLICATION	OPIS	QUANTITY OF V-BELTS IN DRIVE / ILOŚĆ PASÓW W ZESPOLE	OE PART NUMBER / NUMER KATALOGOWY	COMMENT / UWAGI
1	9540 ONLY	9540	1	H177887	X
1	9540 ONLY	9540	1	H166870	X
2	9580 ONLY	9580	1	R164820	X
2	9560 ONLY, -074501	9560, -074501	1	R164820	X
2	9560 ONLY, 074502-	9560, 074502-	1	R500380	X
2	9540 ONLY (S.N. 080016-)	9540 (SERIAL 080016-)	1	H166870	X
2	9560, 9580 ONLY (S.N. 080016-)	9560, 9580 (SERIAL 080016-)	1	R504618	X
3			1	H128010	
4			1	HZ67285	X
5			1	Z58752	
6			1	H175632	
7			1	H115881	
8			1	HXE51300	X
9			1	N110085	
10			1	HXE51101	X
11	9540 ONLY	9540	1	H175467	X
11	9560, 9580 ONLY	9560, 9580	1	H177186	X
12	9540 ONLY	9540	1	H177589	
12	9560, 9580 ONLY	9560, 9580	1	H146636	
13			1	H176765	X
13			1	H177383	
14			1	H177442	
14			1	H177178	
14			1	Z59286	
15			1	H152146	
15			1	H152180	
16			1	H176766	
16			1	H202821	
16			1	H176882	
16			1	Z56959	
17	-76057	-76057	1	Z73879	
17	076058-	076058-	1	Z78834	
18			1	H177177	
19			1	AH139436	
19			1	AH163931	
20			1	AH158880	

X - not in standard offer / brak w standardowej ofercie

ITEM / POZYCJA	APPLICATION	OPIS	QUANTITY OF V-BELTS IN DRIVE / ILOŚĆ PASÓW W ZESPOLE	OE PART NUMBER / NUMER KATALOGOWY	COMMENT / UWAGI
1	ALTERNATOR (95AMP)	ALTERNATOR (95AMP)	1	R500380	X
1	ALTERNATOR (185AMP)	ALTERNATOR (185AMP)	1	H205240	X
2	SECONDARY COUNTERSHAFT	NAPĘD WAŁKA POŚREDNIEGO (POMOCNICZY)	1	H128010	
4	SHOE, WALKER AND CONVEYOR AUGERS	PRZENOŚNIK	1	H131169	
5	COOLING FAN	NAPĘD POMPY WODNEJ	1	H175467	X
6	ROTARY SCREEN	NAPĘD KOSZA CHŁODZĄCEGO	1	H175632	
7	ROTARY SCREEN DRIVE	NAPĘD KOSZA CHŁODZĄCEGO	1	H177589	
8	CLEAN GRAIN ELEVATOR	NAPĘD PRZENOŚNIKA ZIAREN	1	H141166	
9			1	HXE51101	X
10	CYLINDER DRIVE (240-960 RPM)	(240-960 RPM)	1	H115881	
10	CYLINDER DRIVE (150-500 RPM)	(150-500 RPM)	1	H118618	
11	LOWER TAILINGS AUGER AND ELEVATOR	NAPĘD DOLNEGO ŚLIMAKA KŁOSOWEGO I PRZENOŚNIKA	1	N110085	
12	HEADER AND REEL PUMP, STANDARD CAPACITY	NAPĘD HEDERA I POMPA MOTOWIDŁA, POJEMNOŚĆ STANDARDOWA	1	H151952	
12	HEADER AND REEL PUMP, HIGH CAPACITY, 9560 ONLY	NAPĘD HEDERA I POMPA MOTOWIDŁA, POJEMNOŚĆ WYSOKA	1	H155998	
13	STRAW CHOPPER, FINE CUT	NAPĘD ROZDRABNIACZA SŁOMY,	1	H175434	
13	STRAW CHOPPER, STANDARD	NAPĘD ROZDRABNIACZA SŁOMY, STANDARD	1	H160654	
13	STRAW CHOPPER, STANDARD BAILING	NAPĘD ROZDRABNIACZA SŁOMY,	1	H23950	
13	STRAW CHOPPER, WINDROW	NAPĘD ROZDRABNIACZA SŁOMY, ZBOŻE	1	H22529	
14	CLEANING FAN (750-1350RPM)	NAPĘD WIALNI CZYSZCZĄCEJ (750-1350RPM)	1	H152146	
14	CLEANIN FAN (490-980RPM)	NAPĘD WIALNI CZYSZCZĄCEJ (490-980RPM)	1	H152180	
15	STRAW CHOPPER, FRONT	NAPĘD ROZDRABNIACZA SŁOMY, PRZÓD	1	H157726	
16	VARIABLE SPEED, STANDARD CAPACITY, 9560 ONLY	ZMIENNA PRĘDKOŚĆ, STANDARDOWA WYDAJNOŚĆ, 9560	1	H203393	X
16	STANDARD CAPACITY, 9560SH ONLY	STANDARDOWA WYDAJNOŚĆ, 9560SH	1	H161648	X
16	VARIABLE SPEED, HIGH CAPACITY, 9560 ONLY	ZMIENNA PRĘDKOŚĆ, WYSOKA WYDAJNOŚĆ, 9560	1	H218728	
17	STRAW SPREADER	ROZTRZĄSACZ	1	H128234	
18	, 9560 ONLY	9560	1	H171386	
19	75 PERCENT BEATER	75% NAPĘD MŁOCARNI	1	AH163931	
19	100 PERCENT BEATER	100% NAPĘD MŁOCARNI	1	AH139436	
20	UNLOADING SYSTEM	SYSTEM WYŁADUNKU	1	AH158880	

X - not in standard offer / brak w standardowej ofercie

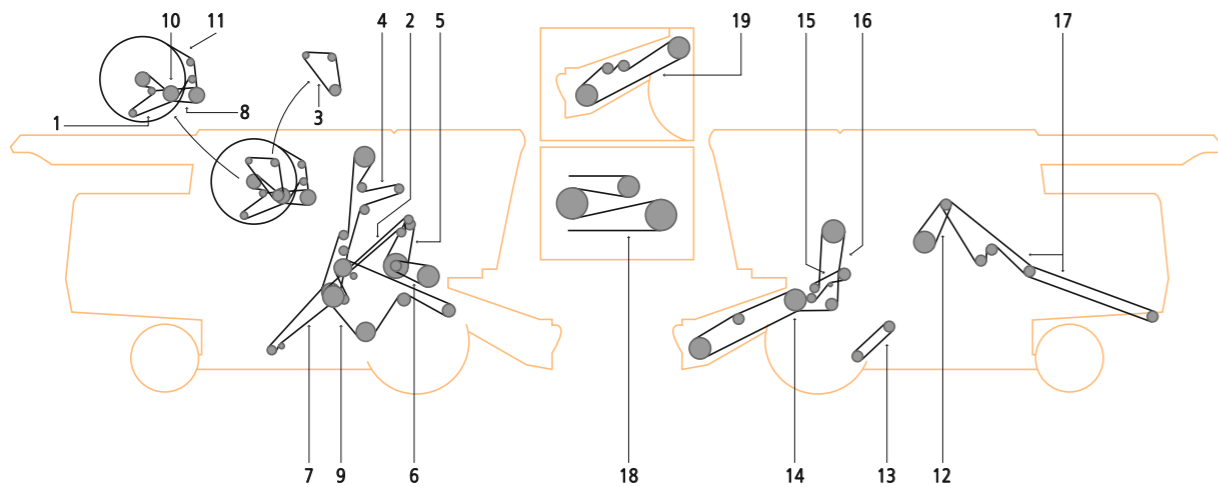


ITEM / POZYCJA	APPLICATION	OPIS	QUANTITY OF V-BELTS IN DRIVE / ILOŚĆ PASÓW W ZESPOLE	OE PART NUMBER / NUMER KATALOGOWY	COMMENT / UWAGI
1	HEADER AND REEL PUMP, STANDARD CAPACITY	NAPĘD HEDERA I POMPA MOTOWIDŁA, POJEMNOŚĆ STANDARDOWA	1	H126345	
1	HEADER AND REEL PUMP, HIGH CAPACITY	NAPĘD HEDERA I POMPA MOTOWIDŁA, POJEMNOŚĆ WYSOKA	1	H209507	
3	UNLOADING AUGER SYSTEM	ZESPÓŁ ŚLIMAKA WYSYPU ZBIORNIKA	1	AH160080	
4	VARIABLE ROTOR DRIVE	NAPĘD ROTORA	1	H221498	X
5	DISCHARGE BEATER	NAPĘD WYŁADUNKU KOMORY	1	H168301	
6	COUNTERSHAFT, DISCHARGE BEATER AND CHOPPER	NAPĘD WAŁKA, WYŁADUNKU KOMORY I ROZDRABNIACZA SŁOMY	1	HXE15671	
7	STRAW CHOPPER	NAPĘD ROZDRABNIANIA SŁOMY	1	H235564	
8	VARIABLE DRIVE FEEDER HOUSE, HIGH CAPACITY	NAPĘD WARIATORA ZESPOŁU PODAJNIKA POCHYLENIEGO, WYSOKA WYDAJNOŚĆ	1	H201334	X
8	VARIABLE DRIVE FEEDER HOUSE, STANDARD CAPACITY	NAPĘD WARIATORA ZESPOŁU PODAJNIKA POCHYLENIEGO, STANDARDOWA WYDAJNOŚĆ	1	H218726	
9	FIXED SPEED FEEDER HOUSE,	STAŁA PRĘDKOŚĆ ZESPÓŁ PODAJNIKA POCHYLENIEGO,	1	H126345	
10	ROTARY SCREEN DRIVE, SCREEN SIDE	NAPĘD KOSZA CHŁODZĄCEGO	1	H175632	
10	9560i STS EUROPEAN EDITION	9560i STS EDYCJA EUROPA	1	H214241	X
11	ROTARY SCREEN DRIVE, ENGINE SIDE	NAPĘD KOSZA CHŁODZĄCEGO	1	H201498	
11	9560i STS EUROPEAN EDITION	9560i STS EDYCJA EUROPA	1	H213353	
12	95 AMP, ALTERNATOR	95 AMP, ALTERNATOR	1	R135606	X
12	185 AMP, ALTERNATOR	185 AMP, ALTERNATOR	1	R135609	X
12	200 AMP, ALTERNATOR	200 AMP, ALTERNATOR	1	R135607	X
12	9560i STS EUROPEAN EDITION	9560i STS EDYCJA EUROPA	1	AT262958	X
13	CLEAN GRAIN ELEVATOR	NAPĘD PRZENOŚNIKA ZIAREN	1	H218645	
14	R.H.JACKSHAFT, REAR	WAŁEK NAPĘDOWY POŚREDNI	1	H154723	
15	R.H.JACKSHAFT, FRONT	WAŁEK NAPĘDOWY POŚREDNI	1	AH202773	
16	FEED ACCELERATOR, STANDARD SPEED, -715300	PODAJNIK, STANDARDOWA PRĘDKOŚĆ, -715300	1	H221731	
16	FEED ACCELERATOR, STANDARD SPEED, 715301-	PODAJNIK, STANDARDOWA PRĘDKOŚĆ, 715301-	1	H236472	
16	FEED ACCELERATOR, SLOW SPEED	PODAJNIK, MAŁA PRĘDKOŚĆ	1	H221732	
17	SHOE FAN AND CONVEYOR AUGERS	PRZENOŚNIK	1	H175587	
18	CLEANING FAN	NAPĘD WIALNI CZYSZCZĄCEJ	1	H206048	
18	CLEANING FAN, SLOW SPEED	NAPĘD WIALNI CZYSZCZĄCEJ	1	H211601	
19	TAILINGS AUGER AND ELEVATOR	NAPĘD ŚLIMAKA KŁOSOWEGO I PRZENOŚNIKA	1	H154731	
19	TAILINGS AUGER AND ELEVATOR, EDIBLE BEAN	NAPĘD ŚLIMAKA KŁOSOWEGO I PRZENOŚNIKA	1	A-C72	X

X - not in standard offer / brak w standardowej ofercie

ITEM / POZYCJA	APPLICATION	OPIS	QUANTITY OF V-BELTS IN DRIVE / ILOŚĆ PASÓW W ZESPOLE	OE PART NUMBER / NUMER KATALOGOWY	COMMENT / UWAGI
1	CLEAN GRAIN ELEVATOR	NAPĘD PRZENOŚNIKA ZIARNA	1	H218645	
2	R.H.JACKSHAFT, REAR	WAŁEK NAPĘDOWY POŚREDNI	1	H154723	
3	R.H.JACKSHAFT, FRONT	WAŁEK NAPĘDOWY POŚREDNI	1	AH202773	
3	R.H.JACKSHAFT, FRONT	WAŁEK NAPĘDOWY POŚREDNI	1	AXE13650	X
3	R.H.JACKSHAFT, FRONT (EDIBLE BEAN)	WAŁEK NAPĘDOWY POŚREDNI	1	A-C144	X
4	FEED ACCELERATOR, STANDARD SPEED	PODAJNIK, STANDARDOWA PRĘDKOŚĆ	1	H236472	
4	FEED ACCELERATOR, SLOW SPEED	PODAJNIK, MAŁA PRĘDKOŚĆ	1	H221732	
5	SHOE FAN AND CONVEYOR AUGERS	NAPĘD WENTYLATOR KOSZA SITOWEGO I PRZENOŚNIKA	1	H175587	
6	CLEANING FAN	NAPĘD WIALNI CZYSZCZĄCEJ	1	H230909	
6	CLEANING FAN, LOW SPEED	NAPĘD WIALNI CZYSZCZĄCEJ	1	H215389	X
8	TAILINGS AUGER AND ELEVATOR	NAPĘD ŚLIMAKA KŁOSOWEGO I PRZENOŚNIKA	1	H154731	
8	TAILINGS AUGER AND ELEVATOR (EDIBLE BEAN)	NAPĘD ŚLIMAKA KŁOSOWEGO I PRZENOŚNIKA	1	A-C72	X
9	HEADER AND REEL PUMP, STANDARD CAPACITY	NAPĘD HEDERA I POMPA MOTOWIDŁA, POJEMNOŚĆ STANDARDOWA	1	H126345	
9	HEADER AND REEL PUMP, HIGH CAPACITY	NAPĘD HEDERA I POMPA MOTOWIDŁA, POJEMNOŚĆ WYSOKA	1	H209507	
10	UNLOADING AUGER SYSTEM	NAPĘD ŚLIMAKA WYSYPU ZBIORNIKA	1	AH160080	
11	VARIABLE ROTOR DRIVE	NAPĘD ROTORA	1	H221498	X
12	DISCHARGE BEATER	NAPĘD WYŁADUNKU KOMORY	1	H219182	
13	COUNTERSHAFT, DISCHARGE BEATER AND CHOPPER	NAPĘD WAŁKA, WYŁADUNKU KOMORY I ROZDRABNIACZA SŁOMY	1	HXE15671	
14	STRAW CHOPPER	NAPĘD ROZDRABNIACZA SŁOMY	1	H235564	
15	VARIABLE DRIVE FEEDER HOUSE, STANDARD CAPACITY	NAPĘD WARIATORA ZESPOŁU PODAJNIKA POCHYLENIEGO, STANDARDOWA WYDAJNOŚĆ	1	H201334	X
15	VARIABLE DRIVE FEEDER HOUSE, HIGH CAPACITY	NAPĘD WARIATORA ZESPOŁU PODAJNIKA POCHYLENIEGO, WYSOKA WYDAJNOŚĆ	1	H218726	
16	FIXED SPEED FEEDER HOUSE	STAŁA PRĘDKOŚĆ ZESPÓŁ PODAJNIKA POCHYLENIEGO	1	H203474	
17	ROTARY SCREEN DRIVE, SCREEN SIDE	NAPĘD KOSZA CHŁODZĄCEGO	1	H221273	
18	ROTARY SCREEN DRIVE, ENGINE SIDE	NAPĘD KOSZA CHŁODZĄCEGO	1	H213353	
19	ALTERNATOR, 200AMP	ALTERNATOR, 200AMP	1	R521053	X

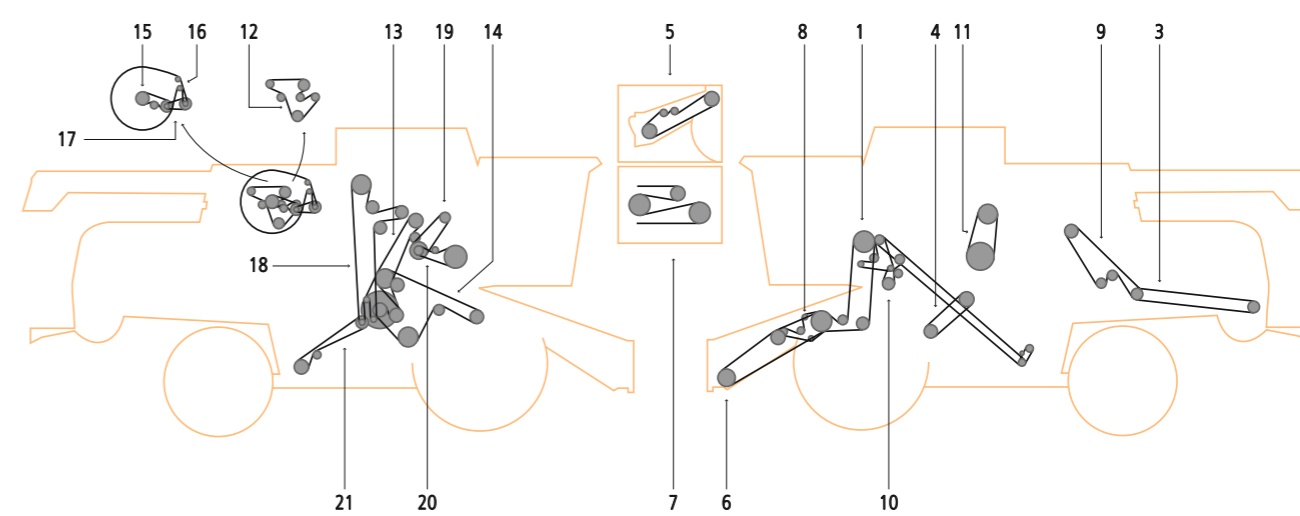
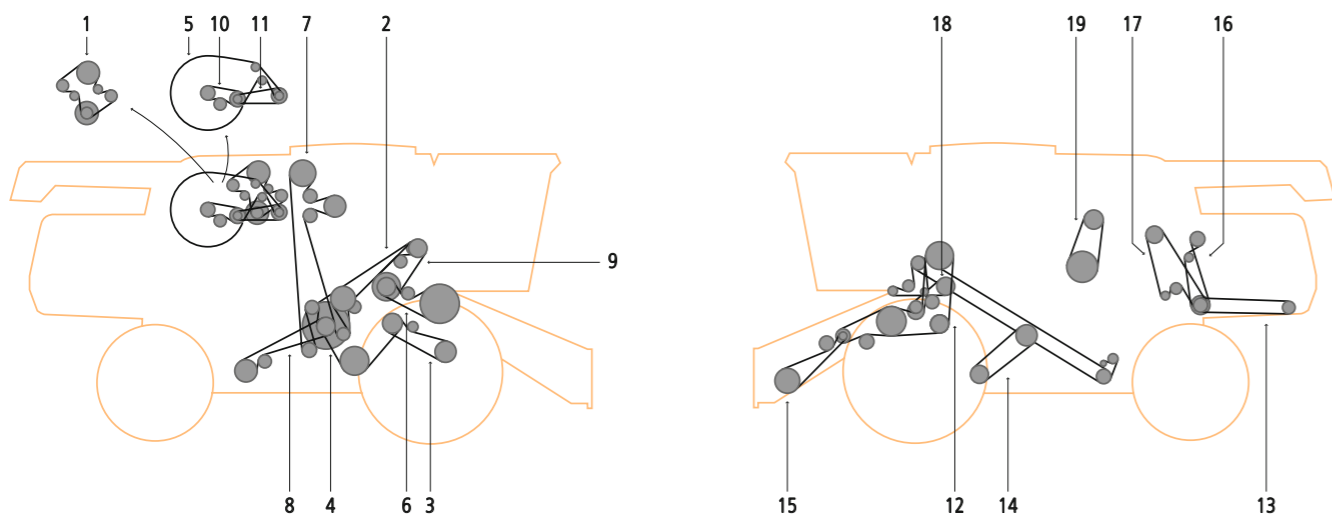
X - not in standard offer / brak w standardowej ofercie



ITEM / POZYCJA	APPLICATION	OPIS	QUANTITY OF V-BELTS IN DRIVE / ILOŚĆ PASÓW W ZESPOLE	OE PART NUMBER / NUMER KATALOGOWY	COMMENT / UWAGI
17	CHOPPER	SIECZKARNIA	1	H23950	
17	FRONT CHOPPER DRIVE	PRZEDNI NAPĘD SIECZKARNI	1	H157726	
17	CHOPPER before SN 640300	SIECZKARNIA PRZED NUMEREM SERII 640300	1	P47885	
18	STRAW SPREADER	ROZTRZAŚCZ	1	H128234	
19	NEW FEEDERHOUSE	ZESPÓŁ PODAJNIKA POCHYLNEGO	1	H126345	
20			1	H125711	X
21			1	H140160	
22			1	H152146	
23			1	H152180	
24			1	H162629	X

X - not in standard offer / brak w standardowej ofercie

ITEM / POZYCJA	APPLICATION	OPIS	QUANTITY OF V-BELTS IN DRIVE / ILOŚĆ PASÓW W ZESPOLE	OE PART NUMBER / NUMER KATALOGOWY	COMMENT / UWAGI
1	AIR CONDITIONING COMPRESSOR Before SN 631200	KOMPRESOR KLIMATYZACJI PRZED NUMEREM SERII 631200	1	H134437	
1	AIR CONDITIONING COMPRESSOR S/N 631201 – 647500	KOMPRESOR KLIMATYZACJI SERIAL 631201 – 647500	1	H81742	
1	AIR CONDITIONING COMPRESSOR After SN 647501	KOMPRESOR KLIMATYZACJI PO NUMERZE SERII 647501	1	H80896	
2	SECONDARY COUNTERSHAFT	NAPĘD WAŁKA POŚREDNIEGO (POMOCNICZY)	1	H128010	
3	ALTERNATOR S/N 630401-631200	ALERNATOR SERIAL 630401-631200	1	RE44538	X
3	ALTERNATOR (UPPER) After SN 645301	ALERNATOR (GÓRNY) PO NUMERZE SERII SN 645301	1	H101813	
3	ALTERNATOR S/N 635301- 643000	ALERNATOR SERIAL 635301- 643000	1	R73189	
4	CLEAN GRAIN ELEVATOR Before SN 640300	NAPĘD PRZENOŚNIKA ZIARNA PRZED NUMEREM SERII 640300	1	H135458	
4	CLEAN GRAIN ELEVATOR After SN 640301	NAPĘD PRZENOŚNIKA ZIARNA PO NUMERZE SERII 640301	1	H141166	
5			1	H210476	X
5			1	H137670	X
6			1	H115881	
6			1	H118618	
7	TAILINGS AUGER & ELEVATOR, LOWER	PRZENOŚNIK NIEDOMŁÓCONYCH KŁOSÓW, DOLNY, LOWER	1	N110085	
8	ROTARY SCREEN DRIVE	NAPĘD KOSZA CHŁODNICY	1	H133577	X
8	ROTARY SCREEN DRIVE After SN 645301	NAPĘD KOSZA CHŁODNICY PO NUMERZE SERII 645301	1	H146636	
8	6419 ROTARY SCREEN DRIVE 92-645300	6419 NAPĘD KOSZA CHŁODNICY 92-645300	1	146637	X
9			1	H131169	
10	Before SN 641716	PRZED NUMEREM SERII 641716	1	H132808	
10	S/N 641717-662523	SERIA 641717-662523	1	H153297	
11	ROTARY SCREEN S/N 636625-641716	NAPĘD KOSZA CHŁODNICY SERIAL 636625-641716	1	AMH143869	X
11	ROTARY SCREEN After SN 641717	NAPĘD KOSZA CHŁODNICY PO NUMERZE SERII 641717	1	AMH145158	X
12	UNLOADING SYSTEM	SYSTEM WYŁADUNKU	1	AH158880	
13	SEPARATOR FAN, SLOW SPEED, 490-980 RPM	NAPĘD DMUCHAWY SEPARATORA, MAŁA PRĘDKOŚĆ, 490-980 RPM	1	H137264	
13	SEPARATOR FAN, REGULAR SPEED	NAPĘD DMUCHAWY SEPARATORA, STANDARDOWA PRĘDKOŚĆ	1	H140404	
14	FEEDERHOUSE, VARIABLE SPEED	ZESPÓŁ PODAJNIKA POCHYLNEGO, ZMIENNA PRĘDKOŚĆ	1	H161648	X
15	NAPĘD MŁOCARNI (PRĘDKOŚĆ 75%)	NAPĘD MŁOCARNI (PRĘDKOŚĆ 75%)	1	AH163931	
15	BEATER DRIVE (100% BEATER SPEED)	NAPĘD MŁOCARNI (PRĘDKOŚĆ 100%)	1	AH139436	
16	HEADER AND REEL PUMP, Before SN 635300	NAPĘD HEDERA I POMPY MOTOWIDEŁ, PRZED NUMEREM SERII 635300	1	H125565	
16	HEADER AND REEL PUMP, After SN 635301	NAPĘD HEDERA I POMPY MOTOWIDEŁ, PO NUMERZE SERII 635301	1	H151952	
17	FRONT CHOPPER DRIVE	PRZEDNI NAPĘD SIECZKARNI	1	H125380	
17	CHOPPER IN REAR	SIECZKARNIA TYŁ	1	H125381	



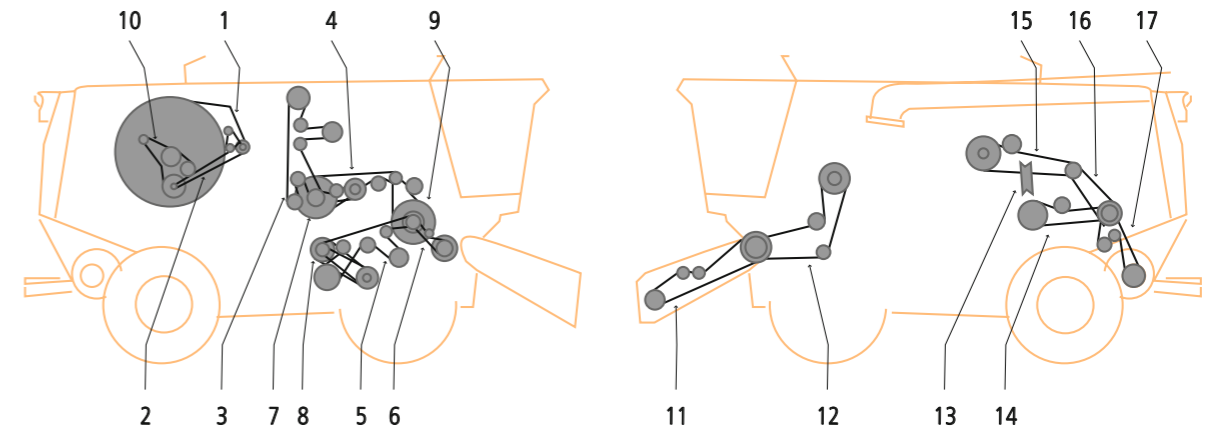
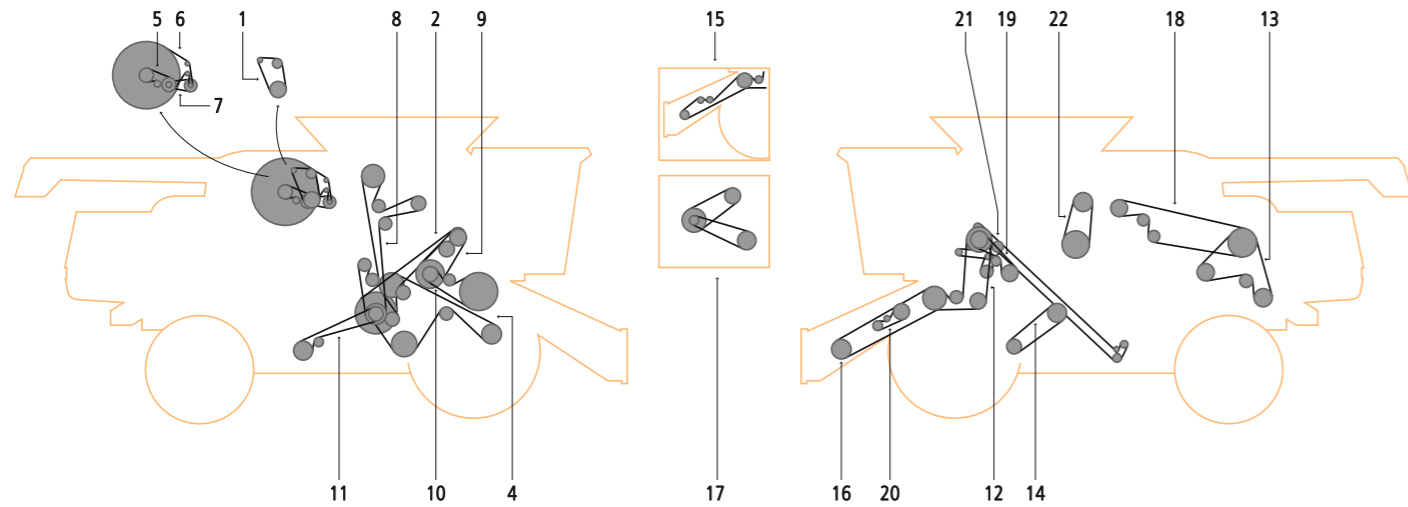
ITEM / POZYCJA	APPLICATION	OPIS	QUANTITY OF V-BELTS IN DRIVE / ILOŚĆ PASÓW W ZESPOLE	OE PART NUMBER / NUMER KATALOGOWY	COMMENT / UWAGI
1	9640 ONLY -077170		1	R164820	X
1	9660,9680 ONLY -077170		1	H178757	X
1	-077170		1	H166870	X
1	077171-		1	R504618	X
2			1	H128010	
3			1	Z67285	
4			1	Z58752	
5	9640 ONLY	9640	1	H175632	
5	9660, 9680 ONLY	9660, 9680	1	H175628	
6			1	H115881	
7			1	HXE51300	X
8			1	N110085	
9			1	HXE51101	X
10	9640 ONLY	9640	1	H177186	X
10	9660, 9680 ONLY	9660, 9680	1	H174455	X
11			1	H146636	
12			1	H176765	X
13			1	H177442	
13			1	H177178	
13			1	Z59286	
14			1	H152146	
14			1	H152180	
15			1	H176766	
15			1	H202821	
16	-76057	-76057	1	Z73879	
16	076058-	076058-	1	Z78834	
17			1	H177177	
18			1	AH139436	
18			1	AH163931	
19			1	AH158880	

X - not in standard offer / brak w standardowej ofercie

ITEM / POZYCJA	APPLICATION	OPIS	QUANTITY OF V-BELTS IN DRIVE / ILOŚĆ PASÓW W ZESPOLE	OE PART NUMBER / NUMER KATALOGOWY	COMMENT / UWAGI
1	HEADER AND REEL PUMP, STANDARD CAPACITY	NAPĘD HEDERA I POMPA MOTOWIDŁA, POJEMNOŚĆ STANDARDOWA	1	H151952	
1	HEADER AND REEL PUMP, HIGH CAPACITY	NAPĘD HEDERA I POMPA MOTOWIDŁA, POJEMNOŚĆ WYSOKA	1	H155998	
3	STRAW CHOPPER, FINE CUT	NAPĘD ROZDRABNIACZA SŁOMY	1	H175434	
3	STRAW CHOPPER, FINE CUT BALING	NAPĘD ROZDRABNIACZA SŁOMY	1	H22529	
3	STRAW CHOPPER, STANDARD	NAPĘD ROZDRABNIACZA SŁOMY	1	H160654	
3	STRAW CHOPPER, STANDARD BALING	NAPĘD ROZDRABNIACZA SŁOMY	1	H23950	
4	CLEANING FAN (750-1350RPM)	NAPĘD WIALNI CZYSZCZĄCEJ (750-1350RPM)	1	H152146	
4	CLEANING FAN (490-980RPM)	NAPĘD WIALNI CZYSZCZĄCEJ (490-980RPM)	1	H152180	
5	FIXED SPEED FEEDERHOUSE W/REVERSER	STAŁA PRĘDKOŚĆ ZESPÓŁ PODAJNIKA POCHYLNEGO	1	H126345	
6	VARIABLE SPEED, STANDARD CAPACITY	ZMIENNA PRĘDKOŚĆ, STANDARDOWA WYDAJNOŚĆ	1	H161648	X
6	VARIABLE LE SPEED, HIGH CAPACITY	ZMIENNA PRĘDKOŚĆ, WYSOKA WYDAJNOŚĆ	1	H218728	
7	STRAW SPREADER	ROZTRZĄSACZ	1	H128234	
8			1	H171386	
9	STRAW CHOPPER, FRONT	NAPĘD ROZDRABNIACZA SŁOMY, PRZÓD	1	H157726	
10	BEATER	NAPĘD MŁÓCARNI	1	AH139436	
11	UNLOADING SYSTEM	SYSTEM WYŁADUNKU	1	AH158880	
12	ALTERNATOR (95AMP)	ALTERNATOR (95AMP)	1	H163515	X
12	ALTERNATOR (185AMP) -695300	ALTERNATOR (185AMP) -695301	1	H166870	X
12	ALTERNATOR (185AMP) 695301-	ALTERNATOR (185AMP) 695301-	1	R164820	X
13	SECONDARY COUNTERSHAFT	NAPĘD WĄŁKA POŚRODNIEGO (POMOCNICZY)	1	H128010	
14	SHOE, WALKER AND CONVEYOR AUGERS	PRZENOŚNIK	1	H131169	
15	COOLING FAN -695300	NAPĘD POMPY WODNEJ	1	H153297	
15	COOLING FAN 695301-	NAPĘD POMPY WODNEJ	1	H177186	X
16	ROTARY SCREEN -690337	NAPĘD KOSZA CHŁODZĄCEGO	1	H145158	X
16	ROTARY SCREEN 690338-	NAPĘD KOSZA CHŁODZĄCEGO	1	H175632	
17	ROTARY SCREEN DRIVE	NAPĘD KOSZA CHŁODZĄCEGO	1	H146636	
18	CLEAN GRAIN ELEVATOR	NAPĘD PRZENOŚNIKA ZIAREN	1	H141166	
19			1	HXE51101	X
20	CYLINDER DRIVE (240-960 RPM)	NAPĘD BĘBNA MŁÓCĄCEGO	1	H115881	
20	CYLINDER DRIVE (150-500 RPM)	NAPĘD BĘBNA MŁÓCĄCEGO	1	H118618	
21	LOWER TAILINGS AUGER AND ELEVATOR	NAPĘD DOLNEGO ŚLIMAKA KŁOSOWEGO I PRZENOŚNIKA	1	N110085	

X - not in standard offer / brak w standardowej ofercie





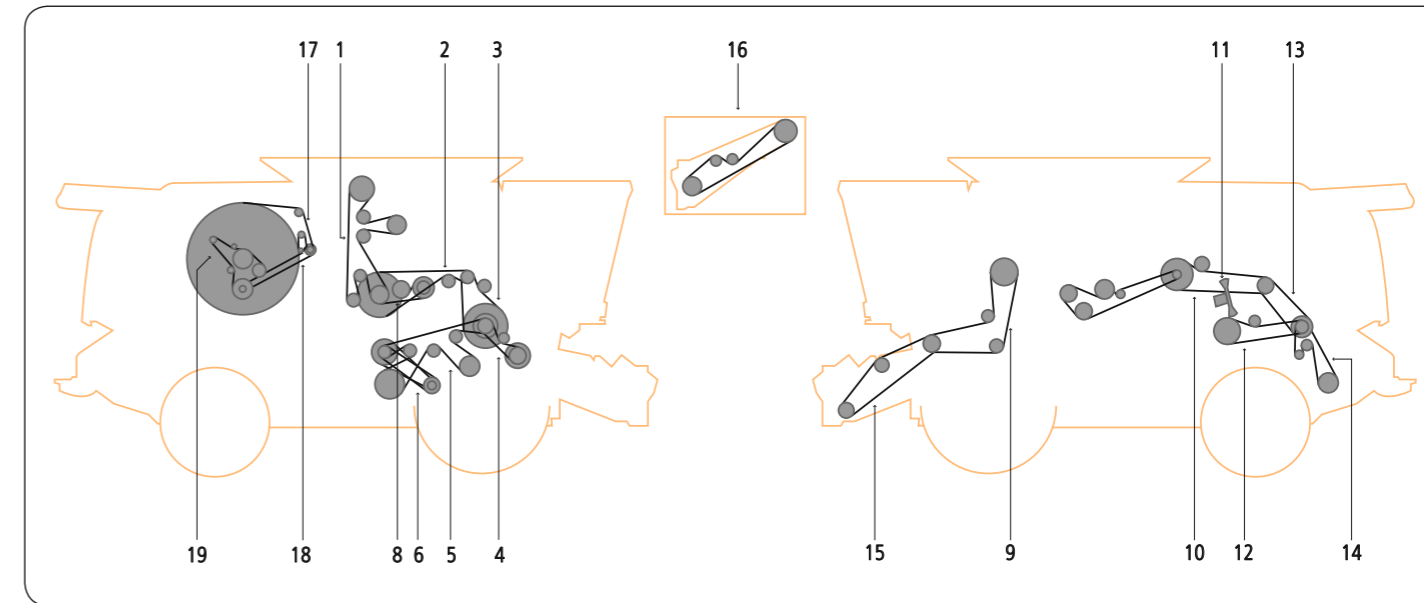
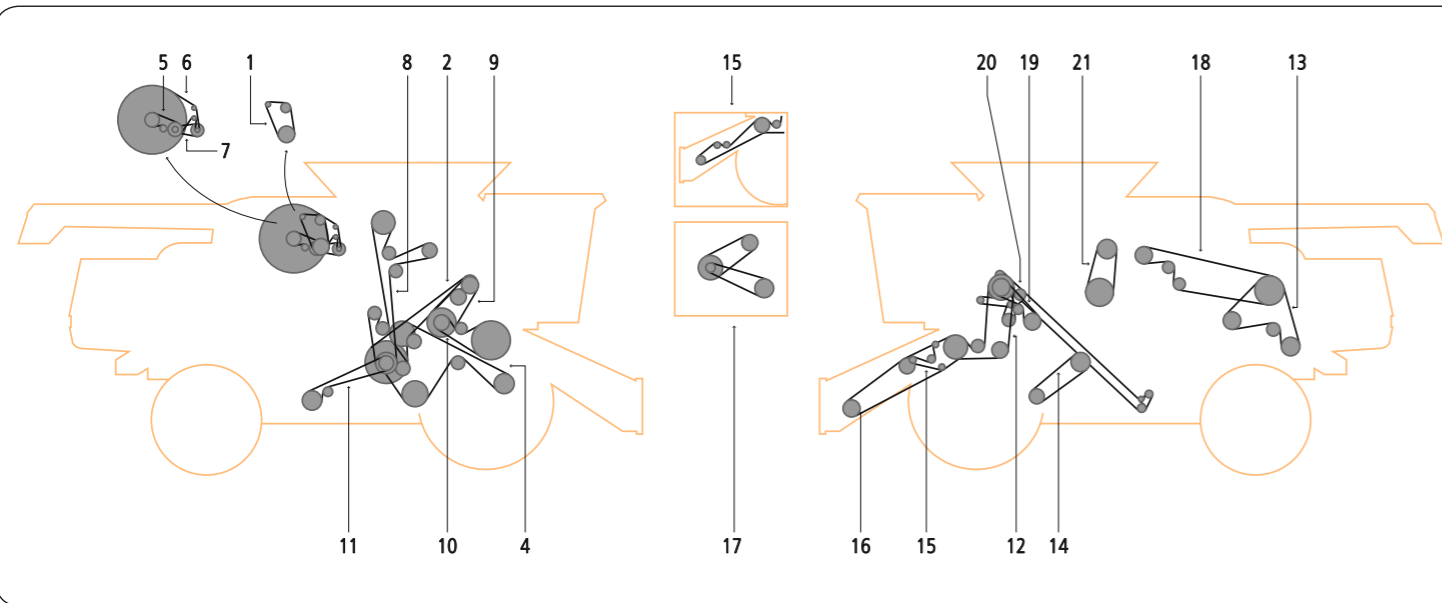
ITEM / POZYCJA	APPLICATION	OPIS	QUANTITY OF V-BELTS IN DRIVE / ILOŚĆ PASÓW W ZESPOLE	OE PART NUMBER / NUMER KATALOGOWY	COMMENT / UWAGI
1	ALTERNATOR (95AMP)	ALTERNATOR (95AMP)	1	H163515	X
1	ALTERNATOR (185AMP) -695400	ALTERNATOR (185AMP) -695400	1	H166870	X
1	ALTERNATOR (185AMP) 695401-	ALTERNATOR (185AMP) 695401-	1	R164820	X
2	SECONDARY COUNTERSHAFT	NAPĘD WAŁKA POŚREDNIEGO (POMOCNICZY)	1	H128010	
4	CONVEYOR AUGER, SIEVE AND CHAFFER	PRZENOŚNIK ŚLIMAKOWY, SITO I PODSIEWACZ	1	H131169	
5	COOLING FAN -695400	NAPĘD POMPY WODNEJ -695400	1	H160405	
5	COOLING FAN 695401-	NAPĘD POMPY WODNEJ 695401-	1	H177186	X
6	ROTARY SCREEN -690400	NAPĘD KOSZA CHŁODZĄCEGO -690400	1	H145158	X
6	ROTARY SCREEN 690401-	NAPĘD KOSZA CHŁODZĄCEGO 690401-	1	H175632	
7	ROTARY SCREEN DRIVE -695400	NAPĘD KOSZA CHŁODZĄCEGO -695400	1	H160406	
7	ROTARY SCREEN DRIVE 695401-	NAPĘD KOSZA CHŁODZĄCEGO 695401-	1	H146636	
8	CLEAN GRAIN ELEVATOR	NAPĘD PRZENOŚNIKA ZIARNA	1	H141166	
9	CYLINDER INTERMEDIATE DRIVE	NAPĘD POŚREDNI CYLINDRA	1	H162629	X
9	CYLINDER INTERMEDIATE DRIVE	NAPĘD POŚREDNI CYLINDRA	1	H210476	X
9	CYLINDER INTERMEDIATE DRIVE (EXTENDED SINGLE RANGE)	NAPĘD POŚREDNI CYLINDRA	1	H137670	X
10	CULINDER DRIVE	NAPĘD CYLINDRA	1	H145994	
10	CULINDER DRIVE	NAPĘD CYLINDRA	1	H118618	
10	CULINDER DRIVE	NAPĘD CYLINDRA	1	H115881	
11	LOWER TAILINGS AUGER AND ELEVATOR	NAPĘD DOLNEGO ŚLIMAKA KŁOSOWEGO I PRZENOŚNIKA	1	N110085	
12	HEADER AND REEL PUMP, STANDARD CAPACITY	NAPĘD HEDERA I POMPA MOTOWIDŁA, POJEMNOŚĆ STANDARDOWA	1	H151952	
12	HEADER AND REEL PUMP, HIGH CAPACITY	NAPĘD HEDERA I POMPA MOTOWIDŁA, POJEMNOŚĆ WYSOKA	1	H155998	
13	CHOPPER DRIVE	NAPĘD SIECZKARNI	1	H162727	
14	CLEANING FAN (750-1350RPM)	NAPĘD WIALNI CZYSZCZĄCEJ (750-1350RPM)	1	H152146	
14	CLEANING FAN (490-980RPM)	NAPĘD WIALNI CZYSZCZĄCEJ (490-980RPM)	1	H152180	
15	FIXED SPEED FEEDER HOUSE W/REVERSER	STAŁA PRĘDKOŚĆ ZESPÓŁ PODAJNIKA POCHYLNEGO	1	H126345	
16	VARIABLE SPEED FEEDER HOUSE, HI CAPACITY	ZESPÓŁ PODAJNIKA POCHYLNEGO, WYSOKA WYDAJNOŚĆ	1	H218728	
16	VARIABLE SPEED FEEDER HOUSE, STANDARD CAPACITY	ZESPÓŁ PODAJNIKA POCHYLNEGO, STANDARDOWA WYDAJNOŚĆ	1	H161648	X
17	STRAW SPREADER, UPPER	ROZTRZĄSACZ	1	H164870	
17	STRAW SPREADER, LOWER	ROZTRZĄSACZ	1	P49604	
18	TINE SEPARATOR DRIVE	NAPĘD SEPARATORA	1	H163106	X
19	OVERSHOT BEATER DRIVE	NAPĘD MŁOCARNI	1	H139963	
20			1	H171386	
21	STRIPPER BEATER DRIVE	BĘBEN MŁOČĄCY	1	H165708	
22	UNLOADING SYSTEM	SYSTEM WYŁADUNKU	1	AH158880	

X - not in standard offer / brak w standardowej ofercie

ITEM / POZYCJA	APPLICATION	OPIS	QUANTITY OF V-BELTS IN DRIVE / ILOŚĆ PASÓW W ZESPOLE	OE PART NUMBER / NUMER KATALOGOWY	COMMENT / UWAGI
1	ROTARY SCREEN DRIVE	NAPĘD KOSZA CHŁODNICY	1	H206807	
2	ROTARY SCREEN DRIVE	NAPĘD KOSZA CHŁODNICY	1	H157104	
3	GRAIN ELEVATOR DRIVE	NAPĘD PRZENOŚNIKA ZIARNOWEGO	1	H158512	
4	RH JACKSHAFT (REAR)	WAŁEK NAPĘDOWY POŚREDNI	1	H154723	
5	SHOE FAN AND CONVEYOR AUGERS	NAPĘD PRZENOŚNIKA ŚLIMAKOWEGO	1	H175587	
6	FEED ACCELERATOR	PRZYSPIESZACZ PODAJNIKA	1	H209606	
6	FEED ACCELERATOR	PRZYSPIESZACZ PODAJNIKA	1	H216027	
7	TAILINGS AUGER AND ELEVATOR DRIVE	NAPĘD ŚLIMAKA I PRZENOŚNIKA KŁOSOWEGO	1	H154731	
8	CLEANING FAN	NAPĘD WIALNI	1	H165072	
9	RH JACKSHAFT	WAŁEK NAPĘDOWY POŚREDNI	1	AH150678	
10	ALTERNATOR DRIVE	NAPĘD ALTERNATORA	1	R135606	X
11	FEEDER HOUSE DRIVE	NAPĘD PRZENOŚNIKA ZIARNA	1	H157732	X
12	HEADER AND REEL PUMP DRIVE	NAPĘD HEDERA I POMPY MOTOWIDŁA	1	H156541	
13	STS VARIABLE DRIVE	NAPĘD WARIATOROWY	1	H165545	X
14	DISCHARGE BEATER DRIVE	NAPĘD WYŁADUNKU KOMORY	1	H168301	
15	UNLOADING AUGER DRIVE	NAPĘD ŚLIMAKA WYSYPU ZBIORNIKA	1	AH160080	
16	COUNTERSHAFT BEATER CHOPPER DRIVE	NAPĘD WAŁKA POŚREDNIEGO MŁOCARNI	1	H157514	
17	STRAW CHOPPER DRIVE	NAPĘD ROZDRABNIACZA SŁOMY	1	H204747	

X - not in standard offer / brak w standardowej ofercie



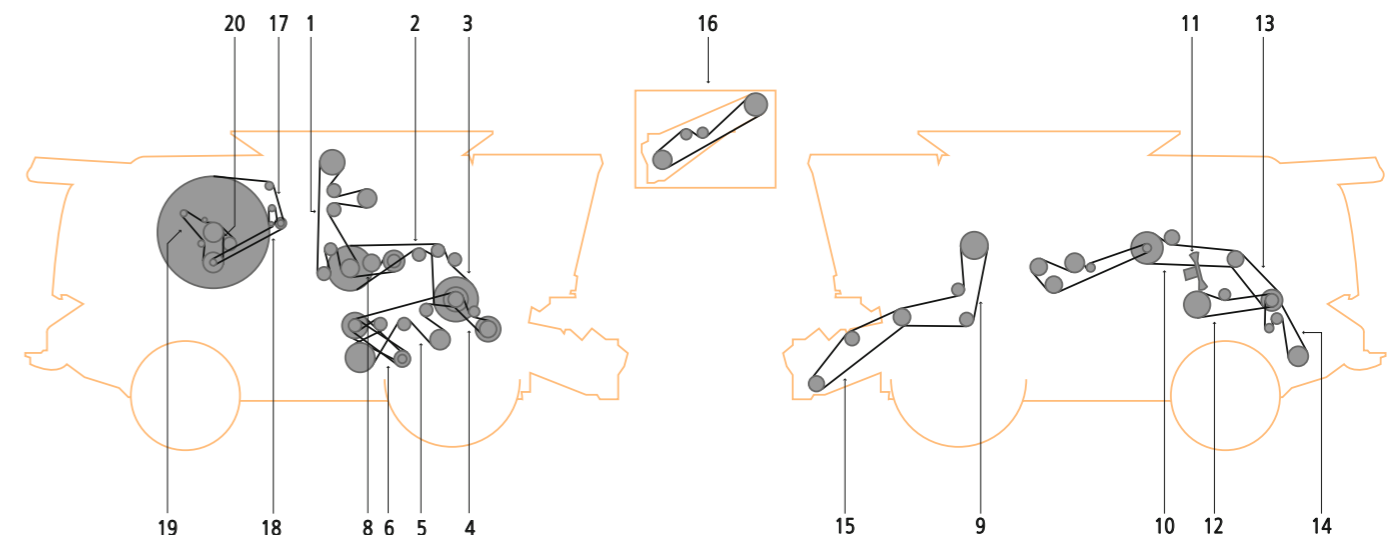
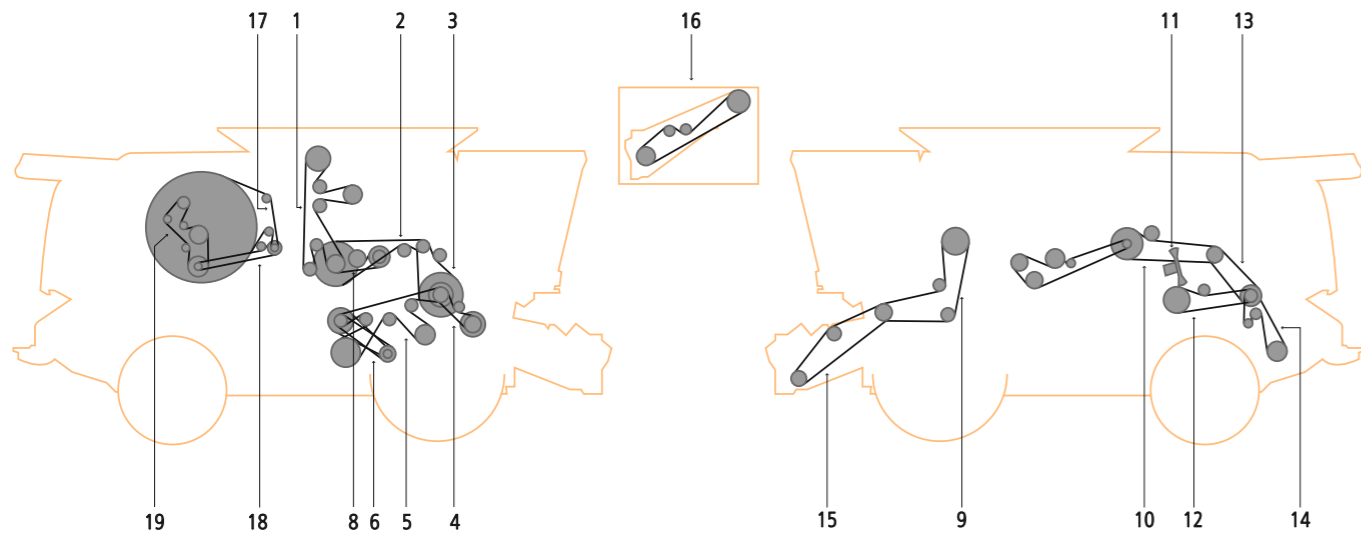


ITEM / POZYCJA	APPLICATION	OPIS	QUANTITY OF V-BELTS IN DRIVE / ILOŚĆ PASÓW W ZESPOLE	OE PART NUMBER / NUMER KATALOGOWY	COMMENT / UWAGI
1	ALTERNATOR, 95 AMP	ALTERNATOR, 95 AMP	1	H163515	X
1	ALTERNATOR, 185 AMP	ALTERNATOR, 185 AMP	1	R164820	X
2	SECONDARY COUNTERSHAFT	NAPĘD WAŁKA POŚREDNIEGO (POMOCNICZY)	1	H128010	
4	CONVEYOR AUGER, SIEVE AND CHAFFER	PRZENOŚNIK ŚLIMAKOWY, SITO I PODSIEWACZ	1	H131169	
5	COOLING FAN	NAPĘD POMPY WODNEJ	1	H177186	X
6	ROTARY SCREEN	NAPĘD KOSZA CHŁODZĄCEGO	1	H175632	
7	ROTARY SCREEN DRIVE	NAPĘD KOSZA CHŁODZĄCEGO	1	H146636	
8	CLEAN GRAIN ELEVATOR	NAPĘD PRZENOŚNIKA ZIAREN	1	H141166	
9	CYLINDER INTERMEDIATE DRIVE	NAPĘD POŚREDNI CYLINDRA	1	H210476	X
10	CYLINDER DRIVE (150-500 RPM)	NAPĘD CYLINDRA (150-500 RPM)	1	H118618	
10	CYLINDER DRIVE (240-960 RPM)	NAPĘD CYLINDRA (240-960 RPM)	1	H115881	
11	LOWER TAILINGS AUGER AND ELEVATOR	NAPĘD DOLNEGO ŚLIMAKA KŁOSOWEGO I PRZENOŚNIKA	1	N110085	
12	HEADER AND REEL PUMP, STANDARD CAPACITY	NAPĘD HEDERA I POMPA MOTOWIDŁA, POJEMNOŚĆ STANDARDOWA	1	H151952	
12	HEADER AND REEL PUMP, HI CAPACITY	NAPĘD HEDERA I POMPA MOTOWIDŁA, POJEMNOŚĆ WYSOKA	1	H155998	
13	CHOPPER DRIVE	NAPĘD SIECZKARNI	1	H162727	
14	CLEANING FAN (750-1350RPM)	NAPĘD WIALNI CZYSZCZĄCEJ (750-1350RPM)	1	H152146	
14	CLEANING FAN (490-980RPM)	NAPĘD WIALNI CZYSZCZĄCEJ (490-980RPM)	1	H152180	
15			1	H171386	
16	VARIABLE SPEED FEEDER HOUSE, HI CAPACITY	ZESPÓŁ PODAJNIKA POCHYLNEGO, WYSOKA WYDAJNOŚĆ	1	H218728	
16	VARIABLE SPEED FEEDER HOUSE, STANDARD CAPACITY	ZESPÓŁ PODAJNIKA POCHYLNEGO, STANDARDOWA WYDAJNOŚĆ	1	H203393	X
17	STRAW SPREADER, UPPER	ROZTRZĄSACZ	1	H164870	
17	STRAW SPREADER, LOWER	ROZTRZĄSACZ	1	P49604	
18	TINE SEPERATOR DRIVE	NAPĘD WYTRZĄSACZA	1	H163106	X
19	OVERSHOT BEATER DRIVE	NAPĘD MŁOCARNI	1	H139963	
20	STRIPPER BEATER DRIVE	BĘBEN MŁOČĄCY	1	H165708	
21	UNLOADING SYSTEM	SYSTEM WYŁADUNKU	1	AH158880	

X - not in standard offer / brak w standardowej ofercie

ITEM / POZYCJA	APPLICATION	OPIS	QUANTITY OF V-BELTS IN DRIVE / ILOŚĆ PASÓW W ZESPOLE	OE PART NUMBER / NUMER KATALOGOWY	COMMENT / UWAGI
1	CLEAN GRAIN ELEVATOR	NAPĘD PRZENOŚNIKA ZIARNA	1	H218645	
2	R.H JACKSHAFT, REAR	WAŁEK NAPĘDOWY POŚREDNI	1	H154723	
3	R.H JACKSHAFT, FRONT	WAŁEK NAPĘDOWY POŚREDNI	1	AH150678	
3	R.H JACKSHAFT, FRONT (EDIBLE BEAN)	WAŁEK NAPĘDOWY POŚREDNI	1	A-C144	X
4	FEED ACCELERATOR, STANDARD SPEED	PODAJNIK, STANDARDOWA PRĘDKOŚĆ	1	H221731	
4	FEED ACCELERATOR, STANDARD SPEED	PODAJNIK, STANDARDOWA PRĘDKOŚĆ	1	H236472	
4	FEED ACCELERATOR, SLOW SPEED	PODAJNIK, MAŁA PRĘDKOŚĆ	1	H221732	
4	FEED ACCELERATOR, HIGH SPEED	PODAJNIK, DUŻA PRĘDKOŚĆ	1	H221733	
5	SHOE FAN AND CONVEYOR AUGERS	PRZENOŚNIK	1	H175587	
6	CLEANING FAN	NAPĘD WIALNI CZYSZCZĄCEJ	1	H206048	
6	CLEANING FAN, SLOW SPEED	NAPĘD WIALNI CZYSZCZĄCEJ	1	H211601	
8	TAILINGS AUGER AND ELEVATOR	NAPĘD ŚLIMAKA KŁOSOWEGO I PRZENOŚNIKA	1	H154731	
8	TAILINGS AUGER AND ELEVATOR (EDIBLE BEAN)	NAPĘD ŚLIMAKA KŁOSOWEGO I PRZENOŚNIKA	1	A-C72	X
9	HEADER AND REEL PUMP, STANDARD CAPACITY	NAPĘD HEDERA I POMPA MOTOWIDŁA	1	H156796	
9	HEADER AND REEL PUMP, HIGH CAPACITY	NAPĘD HEDERA I POMPA MOTOWIDŁA	1	H156541	
10	UNLOADING AUGER SYSTEM	ZESPÓŁ ŚLIMAKA WYSPYU ZBIORNIKA	1	AH160080	
11	VARIABLE ROTOR DRIVE	NAPĘD ROTORA	1	H221498	X
12	DISCHARGE BEATER	NAPĘD WYŁADUNKU KOMORY	1	H168301	
13	COUNTERSHAFT, DISCHARGE BEATER AND CHOPPER	NAPĘD WAŁKA, WYŁADUNKU KOMORY I ROZDRABNIACZA SŁOMY	1	HXE15671	
14	STRAW CHOPPER	NAPĘD ROZDRABNIACZA SŁOMY	1	H235564	
15	VARIABLE DRIVE FEEDER HOUSE, STANDARD CAPACITY, 9660 ONLY	NAPĘD WARIATORA ZESPOŁU PODAJNIKA POCHYLNEGO, STANDARDOWA WYDAJNOŚĆ, 9660	1	H201334	X
15	VARIABLE DRIVE FEEDER HOUSE, HIGH CAPACITY	NAPĘD WARIATORA ZESPOŁU PODAJNIKA POCHYLNEGO, WYSOKA WYDAJNOŚĆ	1	H218726	
15	VARIABLE DRIVE FEEDER HOUSE, HIGH SPEED	NAPĘD WARIATORA ZESPOŁU PODAJNIKA POCHYLNEGO, DUŻA PRĘDKOŚĆ	1	HXE45928	X
16	FIXED SPEED FEEDER HOUSE	STAŁA PRĘDKOŚĆ ZESPÓŁ PODAJNIKA POCHYLNEGO	1	H203474	
17	ROTARY SCREEN DRIVE, SCREEN SIDE -705800	NAPĘD KOSZA CHŁODZĄCEGO -705800	1	H175628	
17	ROTARY SCREEN DRIVE, SCREEN SIDE 705801-	NAPĘD KOSZA CHŁODZĄCEGO 705801-	1	H214241	X
18	ROTARY SCREEN DRIVE, ENGINE SIDE -705800	NAPĘD KOSZA CHŁODZĄCEGO -705800	1	H206807	
18	ROTARY SCREEN DRIVE, ENGINE SIDE 705801-	NAPĘD KOSZA CHŁODZĄCEGO 705801-	1	H213353	
19	ALTERNATOR, 95 AMP	ALTERNATOR, 95 AMP	1	R135606	X
19	ALTERNATOR, 185 AMP	ALTERNATOR, 185 AMP	1	R135609	X
19	ALTERNATOR, 200 AMP	ALTERNATOR, 200 AMP	1	AT262958	X

X - not in standard offer / brak w standardowej ofercie

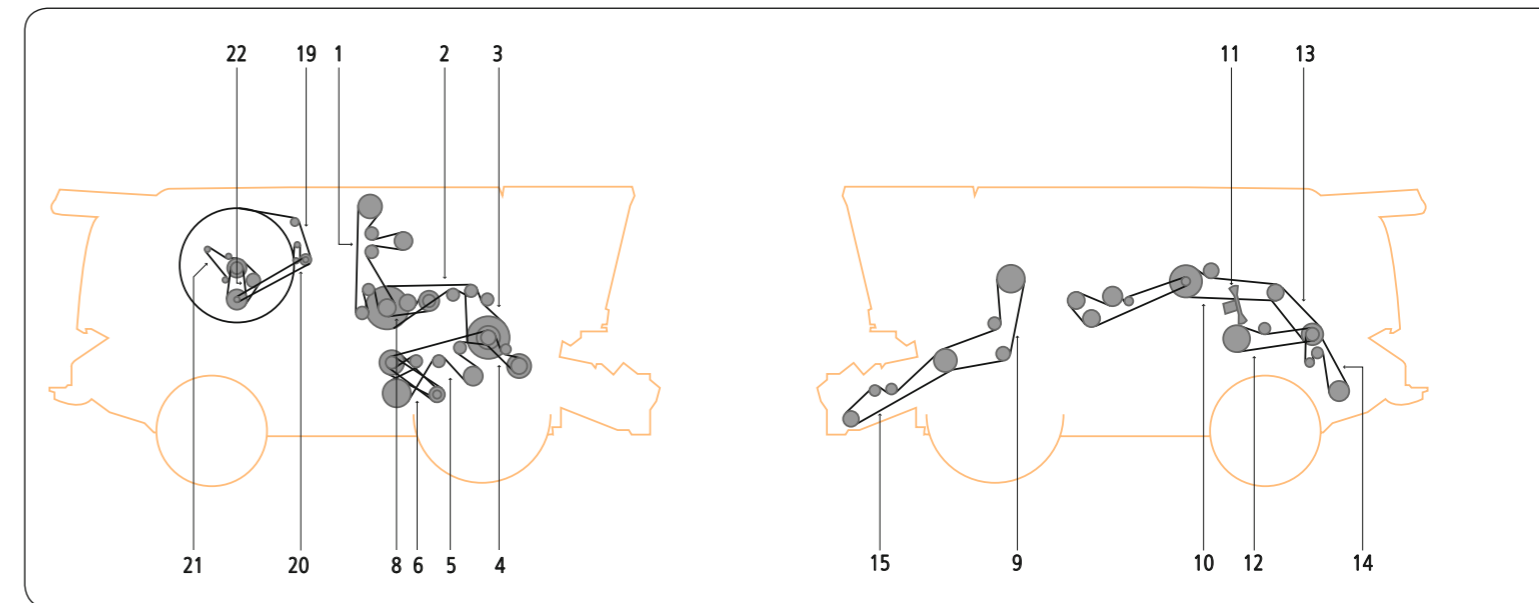
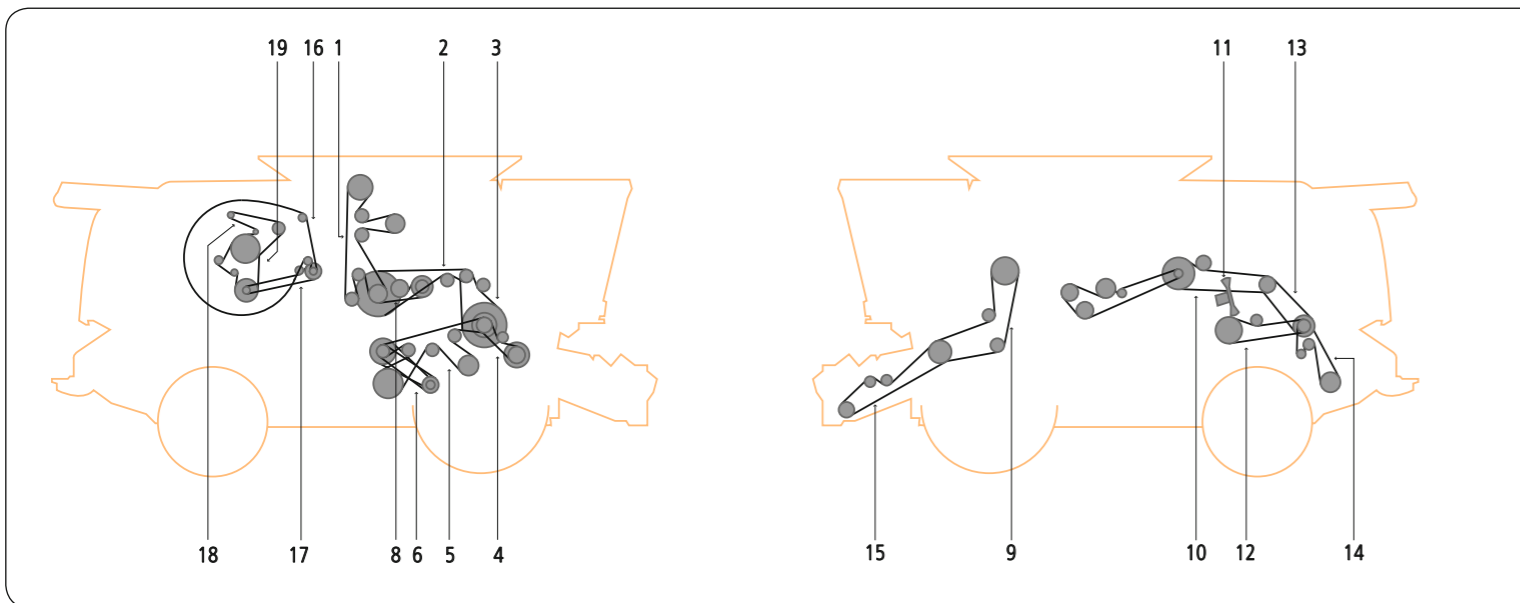


ITEM / POZYCJA	APPLICATION	OPIS	QUANTITY OF V-BELTS IN DRIVE / ILOŚĆ PASÓW W ZESPOLE	OE PART NUMBER / NUMER KATALOGOWY	COMMENT / UWAGI
1	CLEAN GRAIN ELEVATOR	NAPĘD PRZENOŚNIKA ZIARNA	1	H223230	
1	CLEAN GRAIN ELEVATOR / SOUTH AMERICAN EDITION	NAPĘD PRZENOŚNIKA ZIARNA	1	H218645	
2	R.H.JACKSHAFT, REAR	WAŁEK NAPĘDOWY POŚREDNI	1	H154723	
3	R.H.JACKSHAFT, FRONT	WAŁEK NAPĘDOWY POŚREDNI	1	AH150678	
3	R.H.JACKSHAFT, FRONT (EDIBLE BEAN)	WAŁEK NAPĘDOWY POŚREDNI	1	A-C144	X
4	FEED ACCELERATOR, STANDARD SPEED	PODAJNIK, STANDARDOWA PRĘDKOŚĆ	1	H236472	
4	FEED ACCELERATOR, SLOW SPEED	PODAJNIK, MAŁA PRĘDKOŚĆ	1	H221732	
4	FEED ACCELERATOR, HIGH SPEED -730100	PODAJNIK, DUŻA PRĘDKOŚĆ -730100	1	H221733	
4	730101-	730101-	1	H230230	
5	SHOE FAN AND CONVEYOR AUGERS	PRZENOŚNIK	1	H175587	
6	CLEANING FAN	NAPĘD WIALNI CZYSZCZĄCEJ	1	H230909	
6	CLEANING FAN	NAPĘD WIALNI CZYSZCZĄCEJ	1	H215389	X
8	TAILINGS AUGER AND ELEVATOR	NAPĘD ŚLIMAKA KŁOSOWEGO I PRZENOŚNIKA	1	H154731	
8	TAILINGS AUGER AND ELEVATOR (EDIBLE BEAN)	NAPĘD ŚLIMAKA KŁOSOWEGO I PRZENOŚNIKA	1	A-C72	X
9	HEADER AND REEL PUMP (FIXED SPEED)	NAPĘD HEDERA I POMPA MOTOWIDŁA	1	H156796	
9	HEADER AND REEL PUMP (VARIABLE SPEED)	NAPĘD HEDERA I POMPA MOTOWIDŁA	1	H156541	
9	HEADER AND REEL PUMP (MULTI I SPEED FEEDER HOUSE DRIVE)	NAPĘD HEDERA I POMPA MOTOWIDŁA	1	H229018	
10	UNLOADING AUGER SYSTEM	ZESPÓŁ ŚLIMAKA WYSYPU ZBIORNIKA	1	AH160080	
11	VARIABLE ROTOR DRIVE	NAPĘD ROTORA	1	H208431	X
12	DISCHARGE BEATER	NAPĘD WYŁADUNKU KOMORY	1	H168301	
12	DISCHARGE BEATER / SOUTH AMERICAN EDITION	NAPĘD WYŁADUNKU KOMORY	1	H219182	
13	CIS COUNTERSHAFT, DISCHARGE BEATER AND CHOPPER	NAPĘD WAŁKA, WYŁADUNKU KOMORY I ROZDRABNIACZA SŁOMY	1	HXE15671	
13	REGULAR	STANDARDOWY	1	HXE10556	
13	HEAVY DUTY	WYSOKIE OBCIĄŻENIE	1	HXE10501	
14	STRAW CHOPPER	NAPĘD ROZDRABNIACZA SŁOMY	1	H223212	
14	STRAW CHOPPER (CIS)	NAPĘD ROZDRABNIACZA SŁOMY	1	H235564	
15	VARIABLE SPEED FEEDER HOUSE DRIVE	NAPĘD WARIATORA ZESPOŁU PODAJNIKA POCHYLNEGO	1	H218726	
15	VARIABLE SPEED FEEDER HOUSE DRIVE (HIGH SPEED)	NAPĘD WARIATORA ZESPOŁU PODAJNIKA POCHYLNEGO (DUŻA PRĘDKOŚĆ)	1	HXE45928	X
16	FIXED SPEED HEAVY DUTY - WORLDWIDE EDITION	STAŁA PRĘDKOŚĆ WYSOKIE OBCIĄŻENIE - WORLDWIDE EDITION	1	H203474	
16	FIXED SPEED FEEDER HOUSE (MULTISPEED FEEDER HOUSE DRIVE) - WORLDWIDE EDITION	STAŁA PRĘDKOŚĆ ZESPÓŁ PODAJNIKA POCHYLNEGO (NAPĘD ZESPÓŁU PODAJNIKA POCHYLNEGO) - WORLDWIDE EDITION	1	H229019	
16	WORLDWIDE EDITION	WORLDWIDE EDITION	1	H174885	
16	FIXED SPEED - EXTRA HEAVY DUTY	STAŁA PRĘDKOŚĆ - WYSOKIE OBCIĄŻENIE	1	H174885	
17	ROTARY SCREEN DRIVE, SCREEN SIDE	NAPĘD KOSZA CHŁODZĄCEGO	1	H221273	
18	ROTARY SCREEN DRIVE, ENGINE SIDE	NAPĘD KOSZA CHŁODZĄCEGO	1	H213353	
19	ALTERNATOR, 200AMP	ALTERNATOR, 200AMP	1	HXE32806	X

X - not in standard offer / brak w standardowej ofercie

ITEM / POZYCJA	APPLICATION	OPIS	QUANTITY OF V-BELTS IN DRIVE / ILOŚĆ PASÓW W ZESPOLE	OE PART NUMBER / NUMER KATALOGOWY	COMMENT / UWAGI
1	CLEAN GRAIN ELEVATOR	NAPĘD PRZENOŚNIKA ZIARNA	1	H218645	
2	RH JACKSHAFT, REAR	WAŁEK NAPĘDOWY POŚREDNI	1	H154723	
3	RH JACKSHAFT, FRONT	WAŁEK NAPĘDOWY POŚREDNI	1	AH150678	
3	RH JACKSHAFT, FRONT (EDIBLE BEAN)	WAŁEK NAPĘDOWY POŚREDNI	1	A-C144	X
4	FEED ACCELERATOR, STANDARD SPEED -715600	PODAJNIK, STANDARDOWA PRĘDKOŚĆ -715600	1	H221731	
4	FEED ACCELERATOR, STANDARD SPEED 715601-	PODAJNIK, STANDARDOWA PRĘDKOŚĆ 715601-	1	H236472	
4	FEED ACCELERATOR, SLOW SPEED	PODAJNIK, MAŁA PRĘDKOŚĆ	1	H201821	
4	FEED ACCELERATOR, SLOW SPEED	PODAJNIK, MAŁA PRĘDKOŚĆ	1	H221732	
4	FEED ACCELERATOR, HIGH SPEED	PODAJNIK, DUŻA PRĘDKOŚĆ	1	H205209	
4	FEED ACCELERATOR, HIGH SPEED	PODAJNIK, DUŻA PRĘDKOŚĆ	1	H221733	
5	SHOE FAN AND CONVEYOR AUGERS	PRZENOŚNIK	1	H175587	
6	CLEANING FAN	NAPĘD WIALNI CZYSZCZĄCEJ	1	H206048	
6	CLEANING FAN, SLOW SPEED	NAPĘD WIALNI CZYSZCZĄCEJ	1	H211601	
8	TAILINGS AUGER AND ELEVATOR	NAPĘD ŚLIMAKA KŁOSOWEGO I PRZENOŚNIKA	1	H154731	
8	TAILINGS AUGER AND ELEVATOR (EDIBLE BEAN)	NAPĘD ŚLIMAKA KŁOSOWEGO I PRZENOŚNIKA	1	CP72	X
8	TAILINGS AUGER AND ELEVATOR (EDIBLE BEAN)	NAPĘD ŚLIMAKA KŁOSOWEGO I PRZENOŚNIKA	1	A-C72	X
9	HEADER REEL PUMP, STANDARD CAPACITY	NAPĘD HEDERA I POMPA MOTOWIDŁA	1	H156796	
9	HEADER AND REEL PUMP, HI-CAPACITY	NAPĘD HEDERA I POMPA MOTOWIDŁA	1	H156541	
10	UNLOADING AUGER SYSTEM	ZESPÓŁ ŚLIMAKA WYSYPU ZBIORNIKA	1	AH160080	
11	VARIABLE ROTOR DRIVE -705797	NAPĘD ROTORA -705797	1	H207851	X
11	VARIABLE ROTOR DRIVE 705798-	NAPĘD ROTORA 705798-	1	H208431	X
12	DISCHARGE BEATER	NAPĘD WYŁADUNKU KOMORY	1	H168301	
13	COUNTERSHAFT, DISCHARGE BEATER AND CHOPPER (HEAVY DUTY)	NAPĘD WAŁKA, WYŁADUNKU KOMORY I ROZDRABNIACZA SŁOMY	1	H201596	
13	COUNTERSHAFT, DISCHARGE BEATER AND CHOPPER (STANDARD)	NAPĘD WAŁKA, WYŁADUNKU KOMORY I ROZDRABNIACZA SŁOMY	1	HXE15671	
14	STRAW CHOPPER	NAPĘD ROZDRABNIANIA SŁOMY	1	H220747	
14	STRAW CHOPPER (PREMIUM GRAIN)	NAPĘD ROZDRABNIANIA SŁOMY	1	H217352	
15	VARIABLE DRIVE FEEDER HOUSE	NAPĘD WARIATORA ZESPOŁU PODAJNIKA POCHYLNEGO	1	H218726	
15	VARIABLE DRIVE FEEDER HOUSE DRIVE	NAPĘD WARIATORA ZESPOŁU PODAJNIKA POCHYLNEGO	1	HXE45928	X
16	FIXED SPEED FEEDER HOUSE	STAŁA PRĘDKOŚĆ ZESPÓŁ PODAJNIKA POCHYLNEGO	1	H203474	
16	EXTRA HEAVY DUTY	WYSOKIE OBCIĄŻENIE	1	H174885	
17	ROTARY SCREEN DRIVE, SCREEN SIDE -715600	NAPĘD KOSZA CHŁODZĄCEGO -715600	1	H175628	
17	ROTARY SCREEN DRIVE, SCREEN SIDE -715601-	NAPĘD KOSZA CHŁODZĄCEGO -715601-	1	H214241	X
18	ROTARY SCREEN DRIVE, ENGINE SIDE -715600	NAPĘD KOSZA CHŁODZĄCEGO -715600	1	H206807	
18	ROTARY SCREEN DRIVE, ENGINE SIDE 715601-	NAPĘD KOSZA CHŁODZĄCEGO 715601-	1	H213353	
19	ALTERNATOR	ALTERNATOR	1	R503505	X
20	ENGINE FAN	WENTYLATOR	1	R503312	X

X - not in standard offer / brak w standardowej ofercie



ITEM / POZYCJA	APPLICATION	OPIS	QUANTITY OF V-BELTS IN DRIVE / ILOŚĆ PASÓW W ZESPOLE	OE PART NUMBER / NUMER KATALOGOWY	COMMENT / UWAGI
1	CLEAN GRAIN ELEVATOR	NAPĘD PRZENOŚNIKA ZIARNA	1	H223230	
2	R.H.JACKSHAFT, REAR	WAŁEK NAPĘDOWY POŚREDNI	1	H154723	
2	R.H.JACKSHAFT, REAR (EDIBLE BEAN)	WAŁEK NAPĘDOWY POŚREDNI	1	A-C144	X
3	R.H.JACKSHAFT, FRONT	WAŁEK NAPĘDOWY POŚREDNI	1	AH150678	
4	(SUB FOR H211581, THIS APPLICATION) FEED ACCELERATOR, STANDARD SPEED	(ZAMIENNIK ZA H211581, TO ZASTOSOWANIE) PODAJNIK, STANDARDOWA PRĘDKOŚĆ	1	H236472	
4	FEED ACCELERATOR, SLOW SPEED	PODAJNIK, MAŁA PRĘDKOŚĆ	1	H221732	
4	FEED ACCELERATOR, HIGH SPEED	PODAJNIK, DUŻA PRĘDKOŚĆ	1	H221733	
4	FEED ACCELERATOR, HIGH SPEED	PODAJNIK, DUŻA PRĘDKOŚĆ	1	H230230	
5	SHOE FAN AND CONVEYOR AUGERS	PRZENOŚNIK	1	H175587	
6	CLEANING FAN	NAPĘD WIALNI CZYSZCZĄCEJ	1	H230909	
6	CLEANING FAN, SLOW SPEED	NAPĘD WIALNI CZYSZCZĄCEJ	1	H215389	X
8	TAILING AUGER AND ELEVATOR	NAPĘD ŚLIMAKA KŁOSOWEGO I PRZENOŚNIKA	1	H154731	
8	TAILING AUGER AND ELEVATOR (EDIBLE BEAN)	NAPĘD ŚLIMAKA KŁOSOWEGO I PRZENOŚNIKA	1	A-C72	X
9	HEADER AND REEL PUMP	NAPĘD HEDERA I POMPA MOTOWIDŁA	1	H156541	
9	HEADER AND REEL PUMP, MULTI I-SPEED FEEDER HOUSE DRIVE	NAPĘD HEDERA I POMPA MOTOWIDŁA	1	H229018	
10	UNLOADING AUGER SYSTEM	ZESPÓŁ ŚLIMAKA WYSYPU ZBIORNIKA	1	AH160080	
11	VARIABLE ROTOR DRIVE	NAPĘD ROTORA	1	H208431	X
12	DISCHARGE BEATER	NAPĘD WYŁADUNKU KOMORY	1	H219182	
12	DISCHARGE BEATER (CIS)	NAPĘD WYŁADUNKU KOMORY	1	H168301	
13	COUNTERSHAFT, DISCHARGE BEATER AND CHOPPER (STANDARD DUTY)	NAPĘD WAŁKA, WYŁADUNKU KOMORY I ROZDRABNIACZA SŁOMY	1	HXE10556	
13	COUNTERSHAFT, DISCHARGE BEATER AND CHOPPER (HEAVY DUTY)	NAPĘD WAŁKA, WYŁADUNKU KOMORY I ROZDRABNIACZA SŁOMY	1	HXE10501	
13	COUNTERSHAFT, DISCHARGE BEATER AND CHOPPER (STANDARD)	NAPĘD WAŁKA, WYŁADUNKU KOMORY I ROZDRABNIACZA SŁOMY	1	HXE15671	
14	STRAW CHOPPER	NAPĘD ROZDRABNIANIA SŁOMY	1	H223212	
14	STRAW CHOPPER (CIS)	NAPĘD ROZDRABNIANIA SŁOMY	1	H235564	
15	FIXED SPEED FEEDER HOUSE - EXTRA HEAVY DUTY	STAŁA PRĘDKOŚĆ ZESPÓŁ PODAJNIKA POCHYLNEGO - HEAVY DUTY	1	H174885	
15	FIXED SPEED FEEDER HOUSE - MULTI SPEED D FEEDER HOUSE DRIVE	STAŁA PRĘDKOŚĆ ZESPÓŁ PODAJNIKA POCHYLNEGO - NAPĘD ZESPÓŁU PODAJNIKA POCHYLNEGO (ZMIENNA PRĘDKOŚĆ)	1	H229019	
16	ROTARY SCREEN DRIVE, SCREEN SIDE	NAPĘD KOSZA CHŁODZĄCEGO	1	H221273	
17	ROTARY SCREEN DRIVE, ENGINE SIDE	NAPĘD KOSZA CHŁODZĄCEGO	1	H213353	
18	ALTERNATOR	ALTERNATOR	1	R503505	X
19	ENGINE FAN	WENTYLATOR	1	R503312	X

X - not in standard offer / brak w standardowej ofercie

ITEM / POZYCJA	APPLICATION	OPIS	QUANTITY OF V-BELTS IN DRIVE / ILOŚĆ PASÓW W ZESPOLE	OE PART NUMBER / NUMER KATALOGOWY	COMMENT / UWAGI
1			1	H218645	
2			1	H154723	
3			1	AH150678	
4	-700800	-700800	1	H221732	
4	700801-	700801-	1	H221733	
5			1	H175587	
6	S.N. -715700	SERIAL -715700	1	H165072	
6	9880I STS S.N. 715701-	9880I STS SERIAL 715701-	1	H206048	
6	9880I STS S.N. 715701-	9880I STS SERIAL 715701-	1	H211601	
8			1	H154731	
9			1	H156541	
10			1	AH160080	
11	-705800	-705800	1	H207851	X
11	705801-	705801-	1	H208431	X
12			1	H168301	
13			1	H225035	
14	-705800	-705800	1	H217352	
14	705801-	705801-	1	H229882	
14	9880I STS S.N. 715701- , CORN	9880I STS SERIAL 715701- , KUKURYDZA	1	H218198	X
14	9880I STS S.N. 720601- , CORN	9880I STS SERIAL 720601- , KUKURYDZA	1	H224184	
15			1	H174885	
16			1	H175628	
17	-700800	-700800	1	H178037	
17	700801-	700801-	1	H206807	
18			1	R503505	X
19	9880I STS ONLY	9880I STS	1	H214241	X
19	9880 STS	9880 STS	1	H176528	X
20	9880I STS ONLY	9880I STS	1	H213353	
20	9880 STS -700800	9880 STS -700800	1	H178037	
20	9880 STS 700801-	9880 STS 700801-	1	H206807	
21			1	R503505	X
22	9880I STS ONLY	9880I STS	1	R503312	X

X - not in standard offer / brak w standardowej ofercie

ITEM / POZYCJA	APPLICATION	OPIS	QUANTITY OF V-BELTS IN DRIVE / ILOŚĆ PASÓW W ZESPOLE	OE PART NUMBER / NUMER KATALOGOWY	COMMENT / UWAGI
1	FAN AND ALTERNATOR	NAPĘD ALTERNATORA I WENTYLATORA	2	AT23317	
2	COMPRESSOR	NAPĘD KOMPRESORA	1	N113642	X
3	FAN ROTOR	NAPĘD ROTORA	1	N124460	
4	HYDRAULIC PUMP (RUB.CUSION ENGINE MOUNT.)	NAPĘD POMPY HYDRAULICZNEJ	1	N115368	
5	HYDRAULIC PUMP (SOLID ENGINE MOUNTINGS)	NAPĘD POMPY HYDRAULICZNEJ	1	N117398	
6	UNIT DRIVE LH	NAPĘD ZESPOŁU - LEWA STRONA	1	N111527	
7	UNIT DRIVE RH	NAPĘD ZESPOŁU - PRAWA STRONA	1	N121116	

X - not in standard offer / brak w standardowej ofercie

ITEM / POZYCJA	APPLICATION	OPIS	QUANTITY OF V-BELTS IN DRIVE / ILOŚĆ PASÓW W ZESPOLE	OE PART NUMBER / NUMER KATALOGOWY	COMMENT / UWAGI
0			2	AN273251	
1	FAN AND ALTERNATOR	NAPĘD ALTERNATORA I WENTYLATORA	2	AN190205	
2	FAN	NAPĘD WENTYLATORA	1	N129368	
3	HYDRAULIC PUMP	POMPA HYDRAULICZNA	1	N117398	
4	UNIT DRIVE LH	NAPĘD ZESPOŁU - LEWA STRONA	1	N111527	
5	UNIT DRIVE RH	NAPĘD ZESPOŁU - PRAWA STRONA	1	N121116	
6	WATER LINE		1	M1900T	

X - not in standard offer / brak w standardowej ofercie

ITEM / POZYCJA	APPLICATION	OPIS	QUANTITY OF V-BELTS IN DRIVE / ILOŚĆ PASÓW W ZESPOLE	OE PART NUMBER / NUMER KATALOGOWY	COMMENT / UWAGI
1	CONDENSER		1	N117674	X
2	FAN AND ALTERNATOR	NAPĘD ALTERNATORA I WENTYLATORA	2	AN190205	
3	FAN	NAPĘD WENTYLATORA	1	N129368	
4	HYDRAULIC PUMP	POMPA HYDRAULICZNA	1	E61326	
5	UNIT DRIVE LH	NAPĘD ZESPOŁU - LEWA STRONA	1	N111527	
6	UNIT DRIVE RH	NAPĘD ZESPOŁU - PRAWA STRONA	1	N121116	
7	WATER LINE		1	M1900T	

X - not in standard offer / brak w standardowej ofercie

ITEM / POZYCJA	APPLICATION	OPIS	QUANTITY OF V-BELTS IN DRIVE / ILOŚĆ PASÓW W ZESPOLE	OE PART NUMBER / NUMER KATALOGOWY	COMMENT / UWAGI
1	CONDENSER		1	N117674	X
2	FAN AND ALTERNATOR	NAPĘD ALTERNATORA I WENTYLATORA	2	AN190205	
3	FAN	NAPĘD WENTYLATORA	1	N129368	
4	HYDRAULIC PUMP	POMPA HYDRAULICZNA	1	E61326	
5	LUBRICATION PUMP	NAPĘD POMPY	1	M41592	
6	UNIT DRIVE LH	NAPĘD ZESPOŁU - LEWA STRONA	1	N111527	
7	UNIT DRIVE RH	NAPĘD ZESPOŁU - PRAWA STRONA	1	N121116	
8	WATER LINE		1	M1900T	

X - not in standard offer / brak w standardowej ofercie

ITEM / POZYCJA	APPLICATION	OPIS	QUANTITY OF V-BELTS IN DRIVE / ILOŚĆ PASÓW W ZESPOLE	OE PART NUMBER / NUMER KATALOGOWY	COMMENT / UWAGI
1			1	R123465	X
2			1	N220907	

X - not in standard offer / brak w standardowej ofercie

ITEM / POZYCJA	APPLICATION	OPIS	QUANTITY OF V-BELTS IN DRIVE / ILOŚĆ PASÓW W ZESPOLE	OE PART NUMBER / NUMER KATALOGOWY	COMMENT / UWAGI
1	COMPRESSOR	NAPĘD KOMPRESORA	1	R71602	
2	FAN AND ALTERNATOR	NAPĘD ALTERNATORA I WENTYLATORA	2	AR86496	
3	FAN	NAPĘD WENTYLATORA	1	N193822	
4	HYDROSTATIC PUMP DRIVE	NAPĘD POMPY HYDROSTATYCZNEJ	1	N190043	X
5	UNIT DRIVE	NAPĘD ZESPOŁU	2	AN190948	
6	WATER LINE		1	N31649	

X - not in standard offer / brak w standardowej ofercie

ITEM / POZYCJA	APPLICATION	OPIS	QUANTITY OF V-BELTS IN DRIVE / ILOŚĆ PASÓW W ZESPOLE	OE PART NUMBER / NUMER KATALOGOWY	COMMENT / UWAGI
1	COMPRESSOR	NAPĘD KOMPRESORA	1	R73189	
2	FAN AND ALTERNATOR	NAPĘD ALTERNATORA I WENTYLATORA	2	RE29018	X
3	FAN	NAPĘD WENTYLATORA	1	N193822	
4	HYDROSTATIC PUMP DRIVE	NAPĘD POMPY HYDROSTATYCZNEJ	1	N190043	X
5	LUBRICATION PUMP	NAPĘD POMPY	1	M42485	
6	UNIT DRIVE	NAPĘD ZESPOŁU	2	AN190948	
7	WATER PUMP DRIVE	NAPĘD POMPY WODNEJ	1	N31649	

X - not in standard offer / brak w standardowej ofercie

ITEM / POZYCJA	APPLICATION	OPIS	QUANTITY OF V-BELTS IN DRIVE / ILOŚĆ PASÓW W ZESPOLE	OE PART NUMBER / NUMER KATALOGOWY	COMMENT / UWAGI
1			1	M71135	X
2			1	M40757	X
3			2	AN274215	
4			1	N277058	X
5			1	N274995	
6			2	AN273299	X
7			1	T626T	X

X - not in standard offer / brak w standardowej ofercie

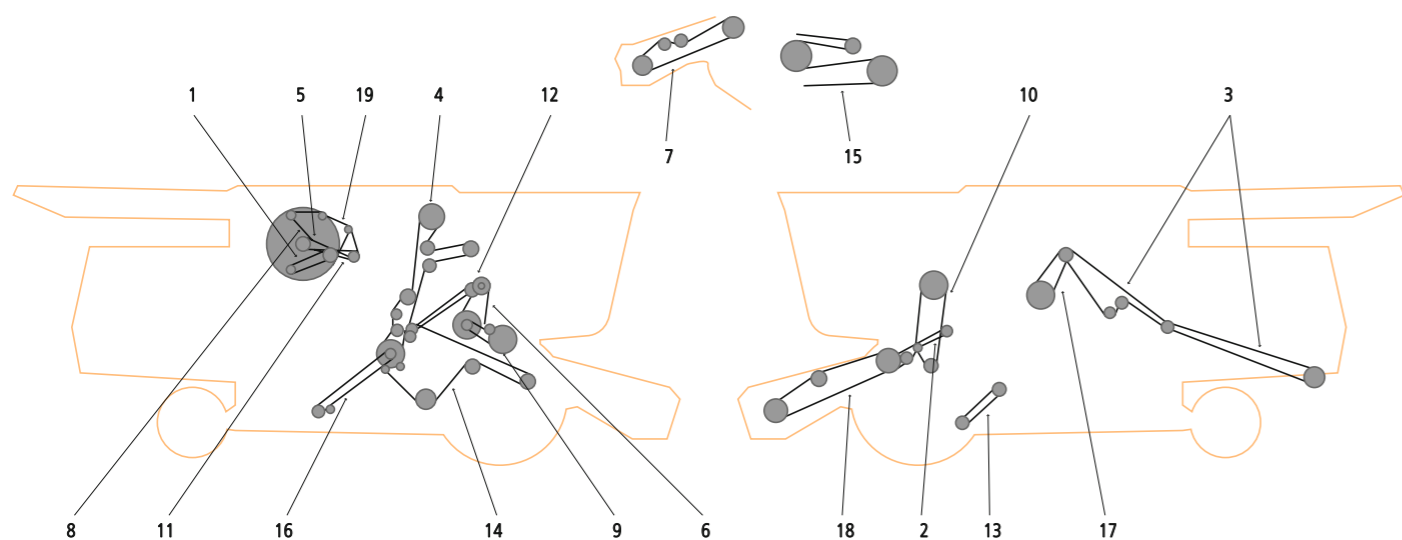
ITEM / POZYCJA	APPLICATION	OPIS	QUANTITY OF V-BELTS IN DRIVE / ILOŚĆ PASÓW W ZESPOLE	OE PART NUMBER / NUMER KATALOGOWY	COMMENT / UWAGI
1	COMPRESSOR	KOMPRESOR		R73189	
2	FAN ALTERNATOR	ALTERNATOR	1	RE29018	X
3	FAN ALTERNATOR	ALTERNATOR	1	RE41942	
4			1	N193822	
5			1	M82720	
6			1	AN194751	
7			1	AH96333	
8			1	AN194750	
9			2	AH96333	
10	WATER PUMP	POMPA WODNA	1	T10552	X
0			2	AN194916	
0			2	AN194917	

X - not in standard offer / brak w standardowej ofercie

ITEM / POZYCJA	APPLICATION	OPIS	QUANTITY OF V-BELTS IN DRIVE / ILOŚĆ PASÓW W ZESPOLE	OE PART NUMBER / NUMER KATALOGOWY	COMMENT / UWAGI
1			1	R116307	
2			1	AN274672	
3			1	AN274673	

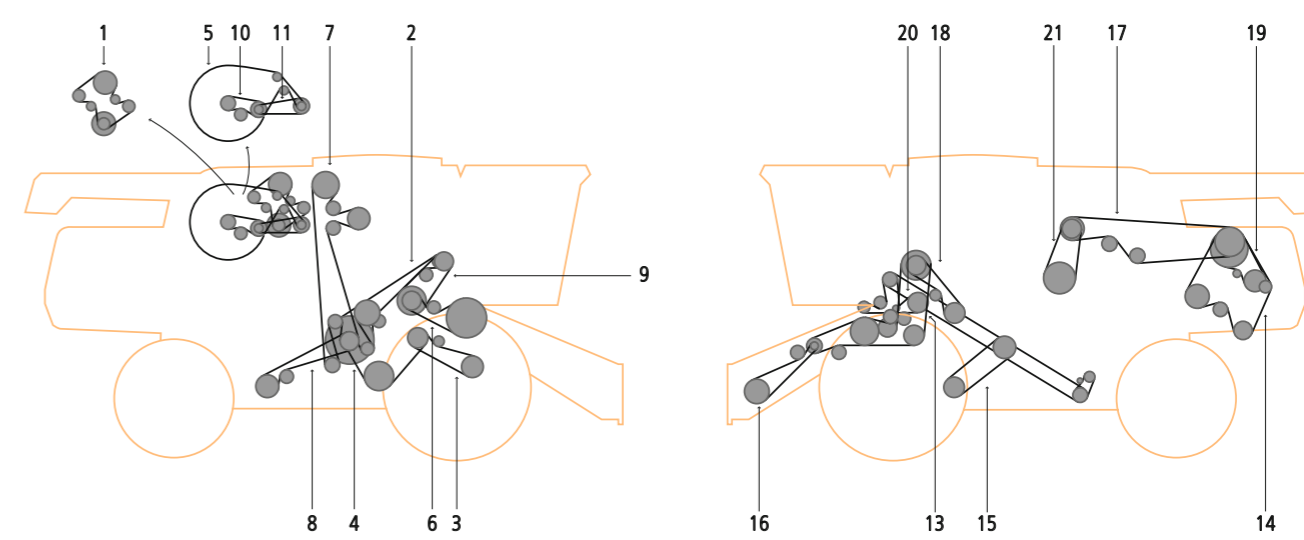
X - not in standard offer / brak w standardowej ofercie





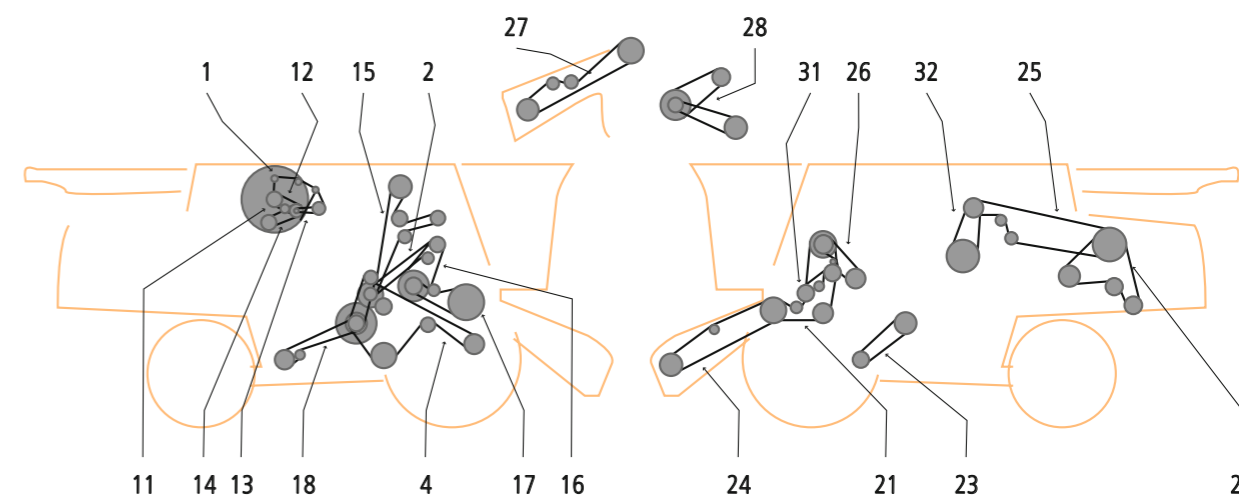
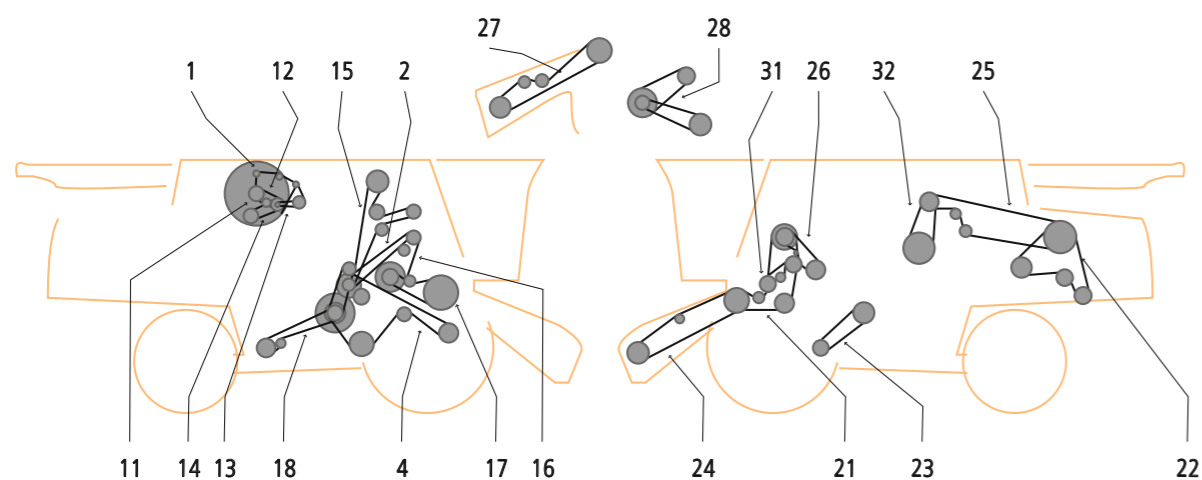
ITEM / POZYCJA	APPLICATION	OPIS	QUANTITY OF V-BELTS IN DRIVE / ILOŚĆ PASÓW W ZESPOLE	OE PART NUMBER / NUMER KATALOGOWY	COMMENT / UWAGI
1	CLEAN GRAIN ELEVATOR	NAPĘD PRZENOŚNIKA ZIARNA	1	H158512	
2			2	H154723	
3			2	AH150678	
4			1	H201821	
5	SHOE FAN AND CONVEYOR AUGERS	PRZENOŚNIK	1	H175587	
6	CLEANING FAN	NAPĘD WIALNI	1	H165072	
8			1	H154731	
9			1	H175628	
10			1	H178037	
11			1	R135609	X
12	STRAW CHOPPER, REAR	SIECZKARNIA TYLNA	2	H156541	
14			2	AH160080	
15			1	H174451	X
16			1	H168301	
17	STRAW CHOPPER JACKSHAFT	NAPĘD ROZDRABNIACZA SŁOMY	1	H174367	
18	SHIELD PIVOT CHOPPER	SIECZKARNIA	1	H174364	X
19			2	H174885	

X - not in standard offer / brak w standardowej ofercie



ITEM / POZYCJA	APPLICATION	OPIS	QUANTITY OF V-BELTS IN DRIVE / ILOŚĆ PASÓW W ZESPOLE	OE PART NUMBER / NUMER KATALOGOWY	COMMENT / UWAGI
1			1	R504618	X
2			1	H128010	
3			1	Z67285	
4			1	Z58752	
5			1	H175628	
6			1	H115881	
7			1	HXE51300	X
8			1	N110085	
9			1	HXE51101	X
10			1	H146636	
11			1	H174455	X
12			1	Z81937	X
13			1	H176765	X
13			1	HXE12425	
14			1	H161945	X
15			1	H152180	
15			1	H152146	
16			1	H176766	
16			1	H202821	
16			1	H201851	X
16			1	HXE12426	
16			1	HXE12427	
17			1	HXE36535	X
18			1	H165708	
19			1	H164368	
20			1	H139963	
21			1	AH158880	

X - not in standard offer / brak w standardowej ofercie

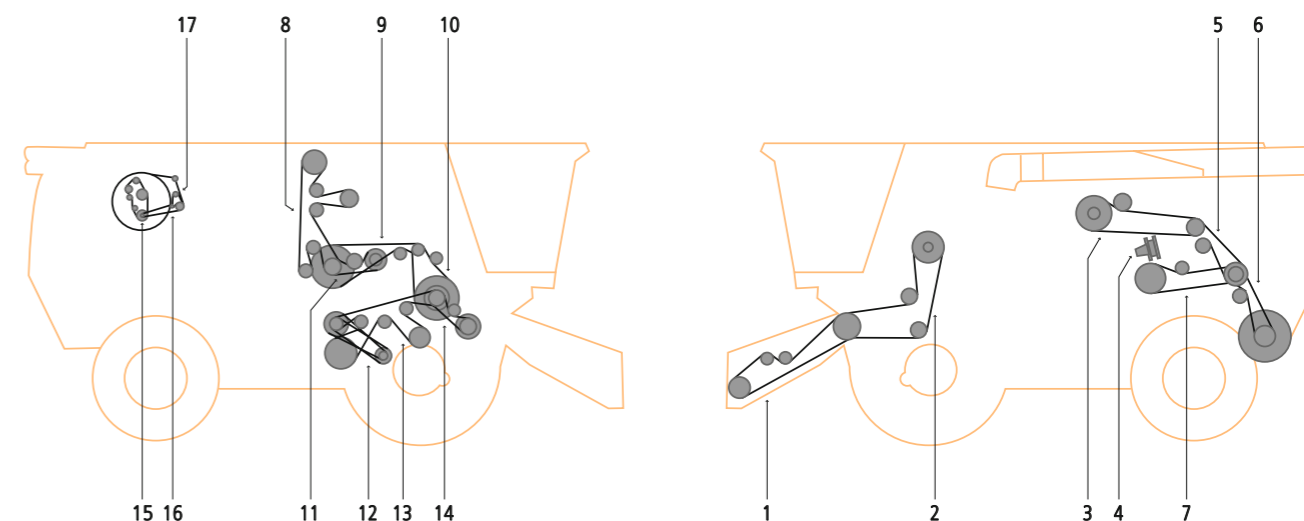
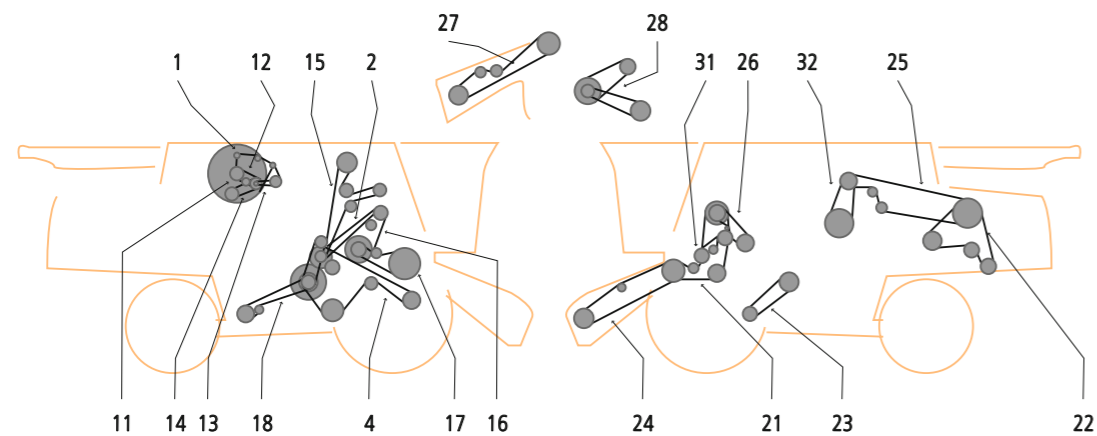


ITEM / POZYCJA	APPLICATION	OPIS	QUANTITY OF V-BELTS IN DRIVE / ILOŚĆ PASÓW W ZESPOLE	OE PART NUMBER / NUMER KATALOGOWY	COMMENT / UWAGI
1	ALTERNATOR DRIVE	NAPĘD ALTERNATORA	1	H101813	
2	COUNTERSHAFT DRIVE (SECONDARY)	NAPĘD WAŁKA POŚREDNIEGO (POMOCNICZY)	1	H128010	
4	STRAW WALKER AND CONVEYOR AUGERS	PRZENOŚNIK ŚLIMAKOWY	1	H131169	
11	COOLING FAN	NAPĘD POMPY WODNEJ	2	AH140623	
11	COOLING FAN	NAPĘD POMPY WODNEJ	1	H153297	
12	COOLING FAN	NAPĘD POMPY WODNEJ	1	H145158	X
13	ROTARY SCREEN DRIVE	NAPĘD KOSZA CHŁODNICY	1	H134216	X
13	ROTARY SCREEN DRIVE	NAPĘD KOSZA CHŁODNICY	1	H146636	
14	AIR CONDITIONING COMPRESSOR	NAPĘD KOMPRESORA KLIMATYZACJI	1	H134437	
15	CLEAN GRAIN ELEVATOR DRIVE	NAPĘD PRZENOŚNIKA ZIARNA	1	H141167	
16	CYLINDER INTERMEDIATE DRIVE	NAPĘD POŚREDNI BĘBNA	1	H115759	X
16	CYLINDER INTERMEDIATE DRIVE	NAPĘD POŚREDNI BĘBNA	1	H162629	X
17	CYLINDER DRIVE	NAPĘD BĘBNA MŁÓCĄCEGO	1	H118618	
17	CYLINDER DRIVE	NAPĘD BĘBNA MŁÓCĄCEGO	1	H115881	
18	LOWER TAILINGS AUGER AND ELEVATOR	DOLNY PRZENOŚNIK NIE DOMŁÓCONYCH KŁOSÓW I PODNOŚNIK	1	N110085	
21	FRONT END EQUIPMENT	WYPOSAŻENIE PRZODU	1	H140160	
22	FRONT STRAW CHOPPER	NAPĘD ROZDRABNIACZA SŁOMY	1	H141417	
23	REGULAR FAN DRIVE	NAPĘD WENTYLATORA	1	H140404	
23	SLOW SPEED		1	H137264	
24	SPEED FEEDER HOUSE	PRZENOŚNIK	1	H125711	X
25	SEPARATOR DRIVE	NAPĘD SEPARATORA	1	H141429	X
26	BEATER DRIVE	NAPĘD MŁOCARNI	1	H143700	
27	FIXED SPEED FEEDER HOUSE	PRZENOŚNIK	1	H126345	
28	STRAW SPREADER	ROZTRZĄSACZ	1	E61326	
28	STRAW SPREADER	ROZTRZĄSACZ	1	P49604	
28	CHAFF SPREADER DRIVE	NAPĘD ROZTRZĄSACZA PLEW	1	M95728	
31	STRIPPER BEATER	BĘBEN MŁÓCĄCY	1	H139963	
32	UNLOADING SYSTEM	SYSTEM ROZŁADUNKU	1	AH127866	

X - not in standard offer / brak w standardowej ofercie

ITEM / POZYCJA	APPLICATION	OPIS	QUANTITY OF V-BELTS IN DRIVE / ILOŚĆ PASÓW W ZESPOLE	OE PART NUMBER / NUMER KATALOGOWY	COMMENT / UWAGI
1	ALTERNATOR DRIVE	NAPĘD ALTERNATORA	1	H101813	
2	COUNTERSHAFT DRIVE (SECONDARY)	NAPĘD WAŁKA POŚREDNIEGO (POMOCNICZY)	1	H128010	
4	STRAW WALKER AND CONVEYOR AUGERS	PRZENOŚNIK ŚLIMAKOWY	1	H131169	
11	COOLING FAN	NAPĘD POMPY WODNEJ	2	AH140623	
11	COOLING FAN	NAPĘD POMPY WODNEJ	1	H153297	
12	COOLING FAN	NAPĘD POMPY WODNEJ	1	H145158	X
13	ROTARY SCREEN DRIVE	NAPĘD KOSZA CHŁODNICY	1	H134216	X
13	ROTARY SCREEN DRIVE	NAPĘD KOSZA CHŁODNICY	1	H146636	
14	AIR CONDITIONING COMPRESSOR	NAPĘD KOMPRESORA KLIMATYZACJI	1	H134437	
15	CLEAN GRAIN ELEVATOR DRIVE	NAPĘD PRZENOŚNIKA ZIARNA	1	H141167	
16	CYLINDER INTERMEDIATE DRIVE	NAPĘD POŚREDNI BĘBNA	1	H115759	X
16	CYLINDER INTERMEDIATE DRIVE	NAPĘD POŚREDNI BĘBNA	1	H162629	X
17	CYLINDER DRIVE	NAPĘD BĘBNA MŁÓCĄCEGO	1	H118618	
17	CYLINDER DRIVE	NAPĘD BĘBNA MŁÓCĄCEGO	1	H115881	
18	LOWER TAILINGS AUGER AND ELEVATOR	DOLNY PRZENOŚNIK NIE DOMŁÓCONYCH KŁOSÓW I PODNOŚNIK	1	N110085	
21	FRONT END EQUIPMENT	WYPOSAŻENIE PRZODU	1	H140160	
22	FRONT STRAW CHOPPER	NAPĘD ROZDRABNIACZA SŁOMY	1	H141417	
23	REGULAR FAN DRIVE	NAPĘD WENTYLATORA	1	H140404	
23	SLOW SPEED		1	H137264	
24	SPEED FEEDER HOUSE	PRZENOŚNIK	1	H125711	X
25	SEPARATOR DRIVE	NAPĘD SEPARATORA	1	H141429	X
26	BEATER DRIVE	NAPĘD MŁOCARNI	1	H143700	
27	FIXED SPEED FEEDER HOUSE	PRZENOŚNIK	1	H126345	
28	STRAW SPREADER	ROZTRZĄSACZ	1	E61326	
28	STRAW SPREADER	ROZTRZĄSACZ	1	P49604	
29	CHAFF SPREADER DRIVE	NAPĘD ROZTRZĄSACZA PLEW	1	M95728	
31	STRIPPER BEATER	BĘBEN MŁÓCĄCY	1	H139963	
32	UNLOADING SYSTEM	SYSTEM ROZŁADUNKU	1	AH127866	

X - not in standard offer / brak w standardowej ofercie

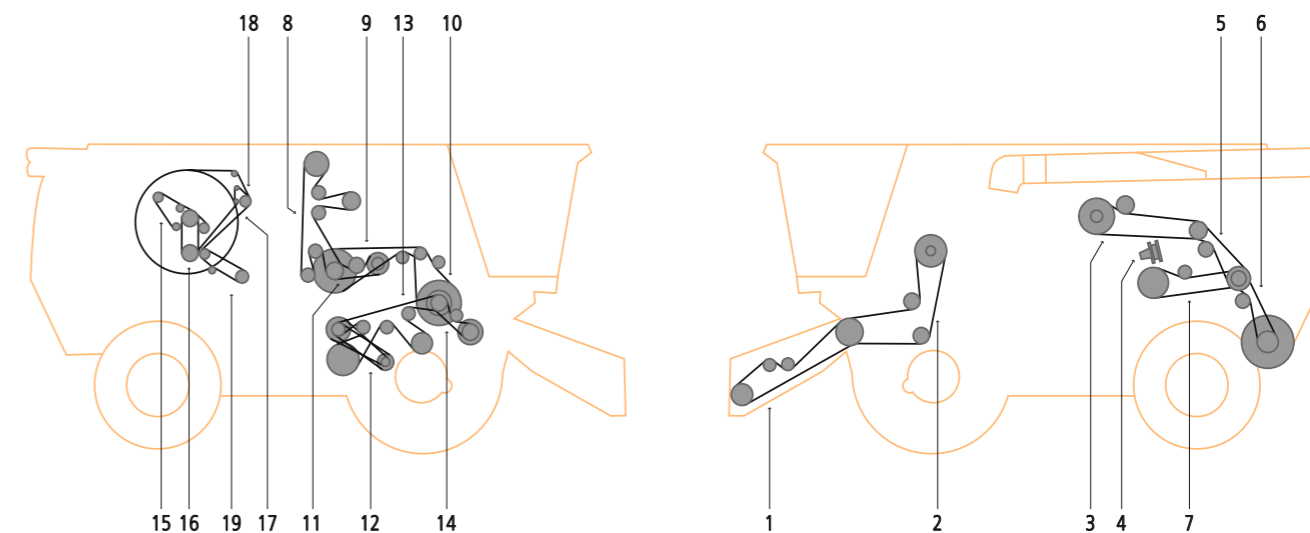
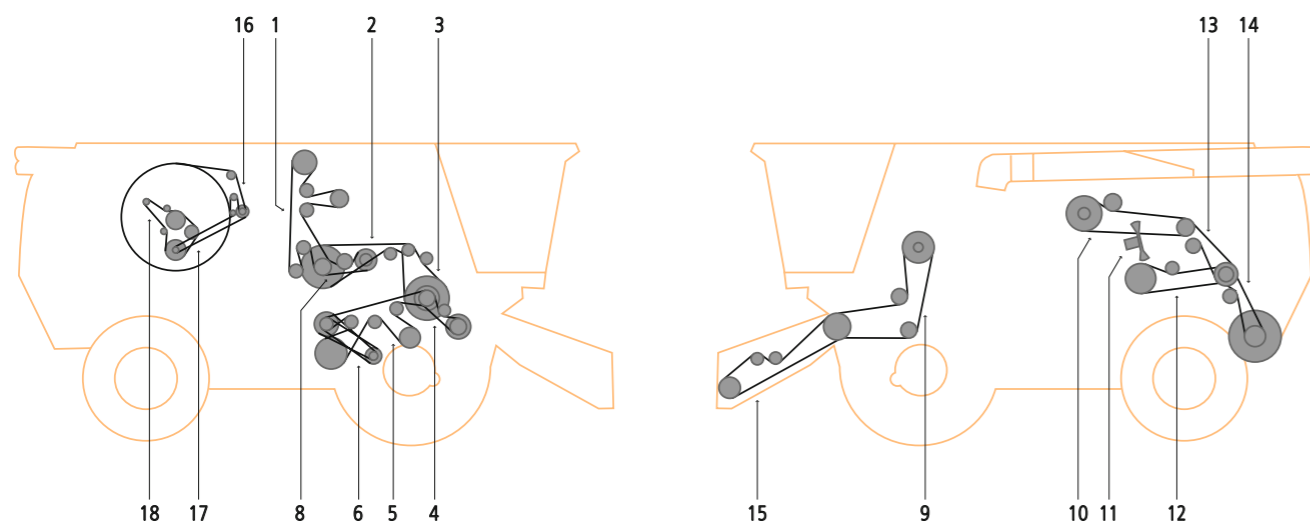


ITEM / POZYCJA	APPLICATION	OPIS	QUANTITY OF V-BELTS IN DRIVE / ILOŚĆ PASÓW W ZESPOLE	OE PART NUMBER / NUMER KATALOGOWY	COMMENT / UWAGI
1	ALTERNATOR DRIVE	NAPĘD ALTERNATORA	1	H163515	X
2	COUNTERSHAFT DRIVE (SECONDARY)	NAPĘD WAŁKA POŚREDNIEGO (POMOCNICZY)	1	H128010	
4	STRAW WALKER AND CONVEYOR AUGERS	PRZENOŚNIK ŚLIMAKOWY	1	H131169	
5	COOLING FAN	NAPĘD POMPY WODNEJ	1	H161796	
6	COOLING FAN	NAPĘD POMPY WODNEJ	1	H145158	X
7	ROTARY SCREEN DRIVE	NAPĘD KOSZA CHŁODNICY	1	H160406	
8	AIR CONDITIONING COMPRESSOR	NAPĘD KOMPRESORA KLIMATYZACJI	1	H134437	
9	CLEAN GRAIN ELEVATOR DRIVE	NAPĘD PRZENOŚNIKA ZIARNA	1	H160171	
10	CYLINDER INTERMEDIATE DRIVE	NAPĘD POŚREDNI BĘBNA	1	H162629	X
11	CYLINDER DRIVE	NAPĘD BĘBNA MŁÓCĄCEGO	1	H118618	
11	CYLINDER DRIVE	NAPĘD BĘBNA MŁÓCĄCEGO	1	H115881	
12	LOWER TAILINGS AUGER AND ELEVATOR	DOLNY PRZENOŚNIK NIE DOMŁÓCONYCH KŁOSÓW I PODNOŚNIK	1	H110085	
13	STRIPPER BEATER	BĘBEN MŁÓCĄCY	1	H139963	
14	UNLOADING SYSTEM	SYSTEM ROZŁADUNKU	1	AH127866	
15	FRONT END EQUIPMENT	WYPOSAŻENIE PRZODU	1	H151952	
16	FRONT STRAW CHOPPER	NAPĘD ROZDRABNIACZA SŁOMY	1	H162541	
17	SLOW SPEED		1	H152180	
17	REGULAR FAN DRIVE	NAPĘD WENTYLATORA	1	H152146	
18	SPEED FEEDER HOUSE	PRZENOŚNIK	1	H161648	X
19	SEPARATOR DRIVE	NAPĘD SEPARATORA	1	H141429	X
20	BEATER DRIVE	NAPĘD MŁOCARNI	1	H143700	
21	FIXED SPEED FEEDER HOUSE	PRZENOŚNIK	1	H126345	
22	STRAW SPREADER	ROZTRZĄSACZ	1	E61326	
22	STRAW SPREADER	ROZTRZĄSACZ	1	P49604	
23	CHAFF SPREADER DRIVE	NAPĘD ROZTRZĄSACZA PLEW	1	M95728	

X - not in standard offer / brak w standardowej ofercie

ITEM / POZYCJA	APPLICATION	OPIS	QUANTITY OF V-BELTS IN DRIVE / ILOŚĆ PASÓW W ZESPOLE	OE PART NUMBER / NUMER KATALOGOWY	COMMENT / UWAGI
1			1	H218726	
1			1	H203474	
2			1	HXE16927	X
2			1	HXE16928	X
3			1	AH160080	
4			1	H221498	X
5			1	HXE15671	
6			1	H235564	
7			1	H219182	
8	CLEAN GRAIN ELEVATOR	NAPĘD PRZENOŚNIKA ZIAREN	1	H218645	
9	R.H. JACKSHAFT, REAR	WAŁEK NAPĘDOWY POŚREDNI	1	H154723	
10			1	AXE13650	X
11	TAILINGS AUGER AND ELEVATOR	NAPĘD ŚLIMAKA KŁOSOWEGO I PRZENOŚNIKA	1	H154731	
12			1	HXE15594	X
13			1	H175587	
14	440/800RPM	440/800RPM	1	H236472	
14	320/790RPM	320/790RPM	1	H221732	
15			1	R521053	X
16			1	H213353	
17			1	H221273	

X - not in standard offer / brak w standardowej ofercie

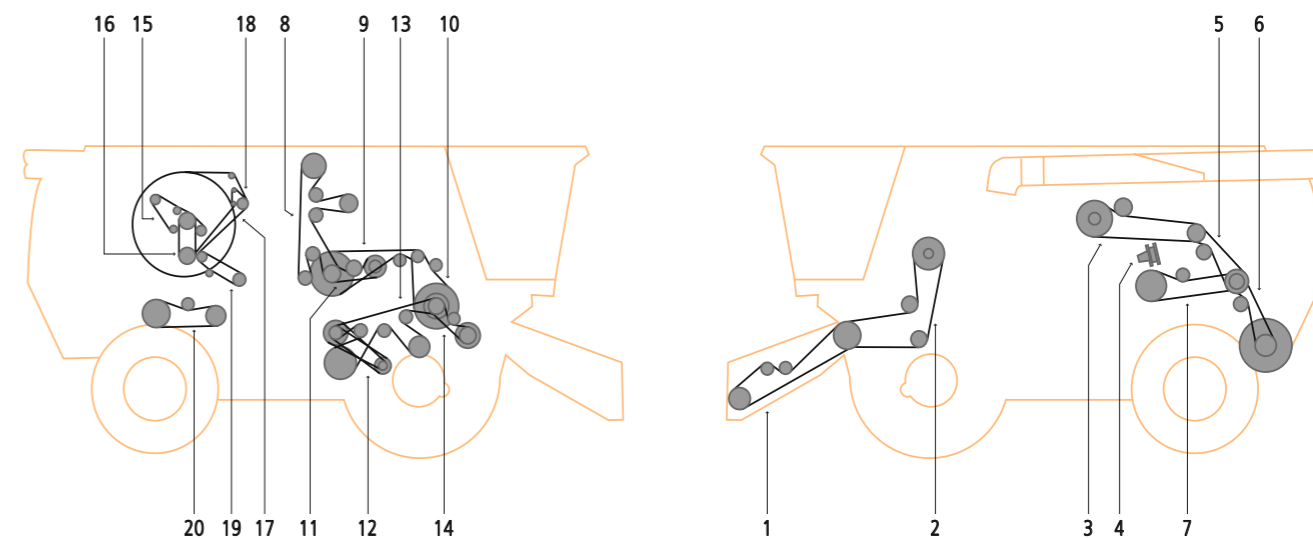
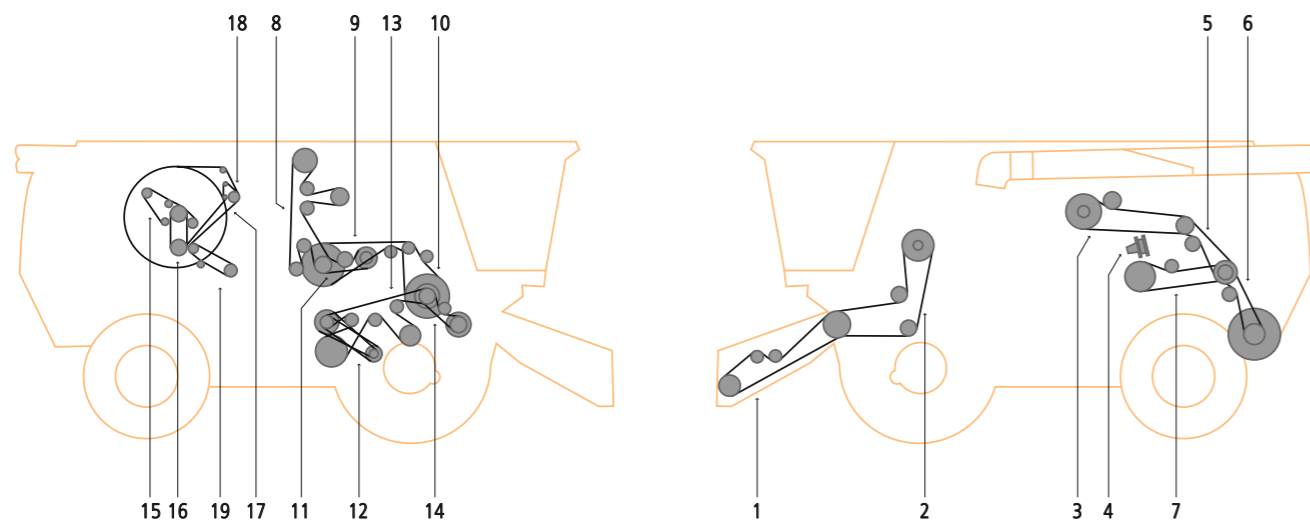


ITEM / POZYCJA	APPLICATION	OPIS	QUANTITY OF V-BELTS IN DRIVE / ILOŚĆ PASÓW W ZESPOLE	OE PART NUMBER / NUMER KATALOGOWY	COMMENT / UWAGI
1			1	H218645	
2			1	H154723	
3	-740200	-740200	1	AH202773	
3	740201-	740201-	1	AXE13650	X
4			1	H221733	
4			1	H221732	
5			1	H175587	
6			1	H230909	
6			1	H215389	X
8			1	H154731	
9			1	H209507	
10			1	AH160080	
11			1	H221498	X
12			1	H219182	
13			1	H201596	
14			1	H220747	
15			1	H174885	
16			1	H221273	
17			1	H213353	
18			1	R503505	X

X - not in standard offer / brak w standardowej ofercie

ITEM / POZYCJA	APPLICATION	OPIS	QUANTITY OF V-BELTS IN DRIVE / ILOŚĆ PASÓW W ZESPOLE	OE PART NUMBER / NUMER KATALOGOWY	COMMENT / UWAGI
1			1	HXE45928	X
1			1	H218726	
1			1	H174885	
2			1	H156541	
3			1	AH160080	
4			1	HXE46027	X
5			1	H241230	X
6			1	H241212	X
7			1	HXE15556	X
7			1	AH236689	X
8			1	H218645	
9			1	H154723	
10			1	AH150678	
11			1	H154731	
12			1	HXE15594	X
13			1	H175587	
14	440/800 RPM	440/800 RPM	1	H236472	
14	320/790 RPM	320/790 RPM	1	H221732	
14	520/1000 RPM, EDITION 2012-2013 ONLY	520/1000 RPM, EDYCJA 2012-2013	1	H230230	
14	EDITION 2014 ONLY	EDYCJA 2014	1	HXE54503	X
15			1	H238822	X
15			1	HXE32806	X
16			1	HXE22617	X
17			1	H238867	X
18			1	H221273	
19			1	HXE24085	X
19			1	HXE24086	X

X - not in standard offer / brak w standardowej ofercie



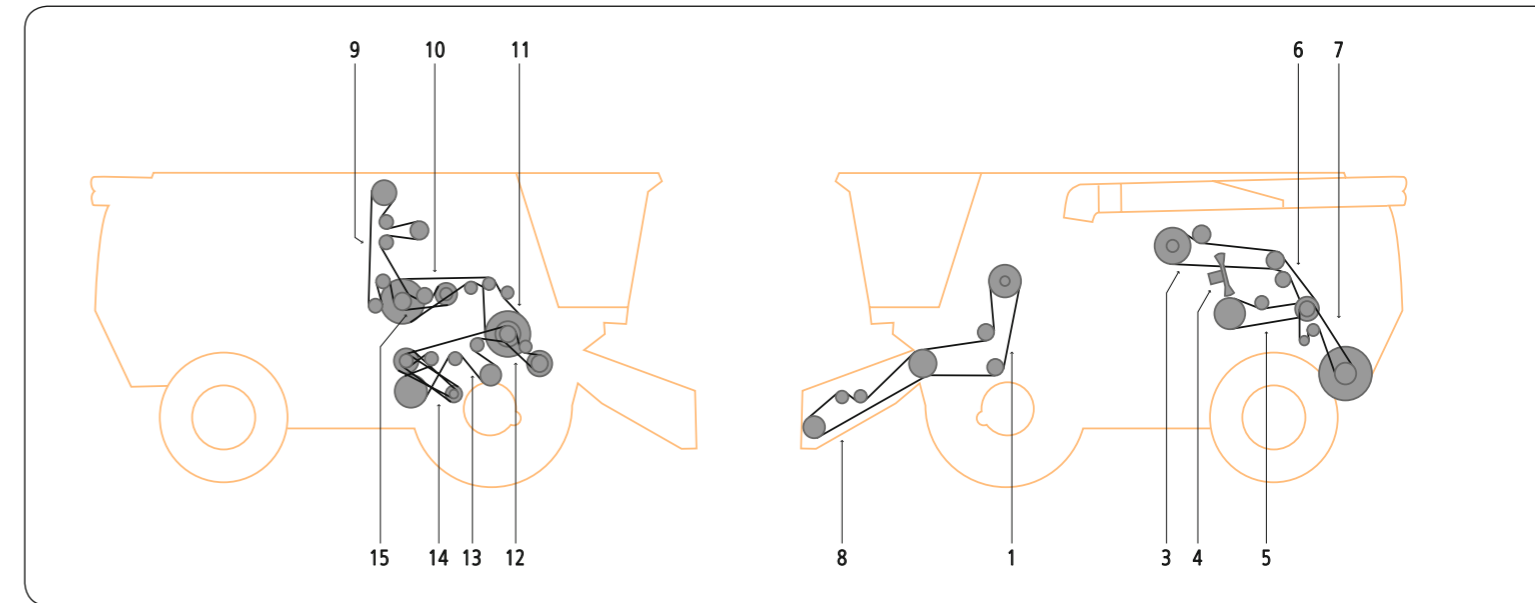
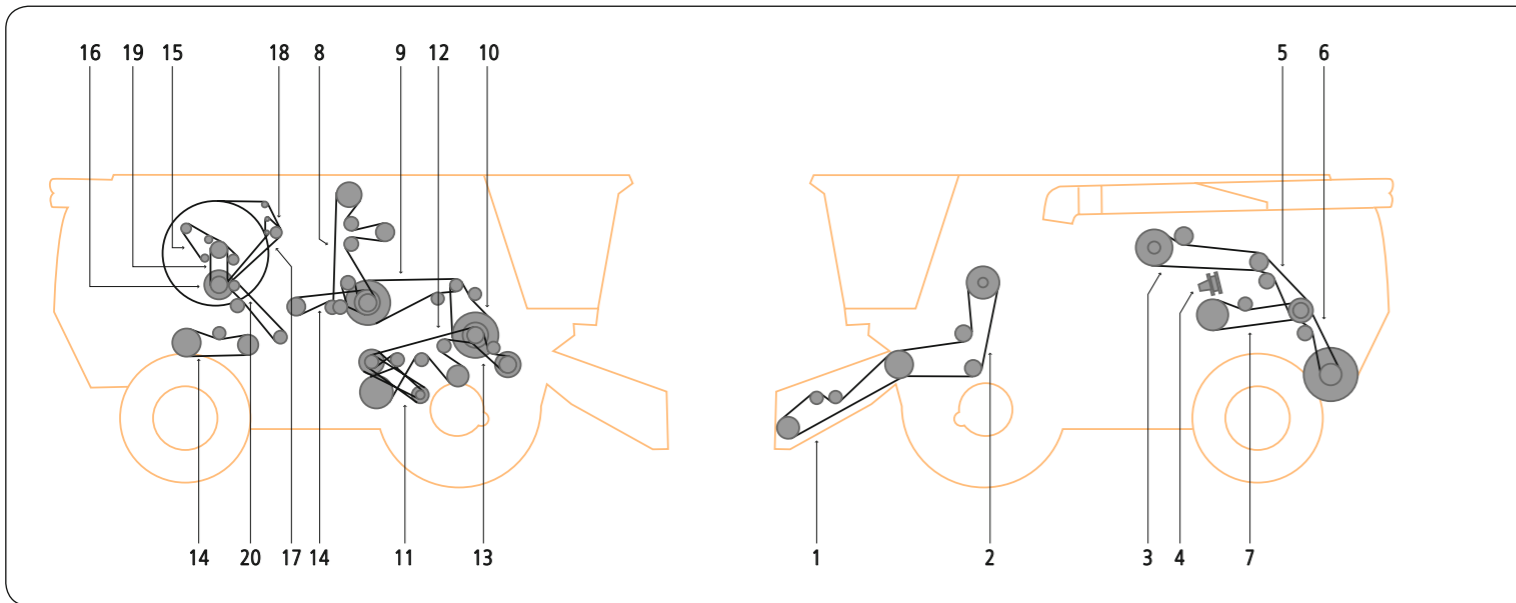
ITEM / POZYCJA	APPLICATION	OPIS	QUANTITY OF V-BELTS IN DRIVE / ILOŚĆ PASÓW W ZESPOLE	OE PART NUMBER / NUMER KATALOGOWY	COMMENT / UWAGI
1			1	HXE45928	X
1			1	H218726	
1			1	H174885	
1			1	H203474	
2			1	H156541	
3			1	AH160080	
4	EDITION S.N. 765172	EDYCJA SERIAL 765172	1	HXE46027	X
4	EDITION S.N. 745100-765171	EDYCJA SERIAL 745100-765171	1	H221498	X
5			1	H241230	X
6			1	H241212	X
6			1	H240974	X
6			1	H240972	X
7			1	HXE15556	X
7	S.N. 765172	SERIAL 765172	1	H230230	
8			1	H218645	
9			1	H154723	
10			1	AH150678	
11			1	H154731	
12			1	HXE15594	X
13			1	H175587	
14	440/800 RPM	440/800 RPM	1	H236472	
14	320/790 RPM	320/790 RPM	1	H221732	
14	520/1000 RPM	520/1000 RPM	1	HXE54503	X
15			1	H238822	X
16			1	HXE322617	X
17			1	H238867	X
18			1	H221273	
19			1	HXE24085	X
19			1	HXE24086	X

X - not in standard offer / brak w standardowej ofercie

ITEM / POZYCJA	APPLICATION	OPIS	QUANTITY OF V-BELTS IN DRIVE / ILOŚĆ PASÓW W ZESPOLE	OE PART NUMBER / NUMER KATALOGOWY	COMMENT / UWAGI
1			1	HXE45928	X
1			1	H229019	
1			1	H174885	
2			1	H156541	
2			1	H229018	
3			1	AH160080	
4			1	H208431	X
4			1	HXE46027	X
5			1	H241230	X
5			1	H241000	X
6			1	H241212	X
6			1	H240974	X
6			1	H240972	X
7			1	AH236689	X
8			1	H223230	
9			1	H154723	
10			1	AH150678	
11			1	H154731	
12			1	HXE15594	X
13			1	H175587	
14	440/800 RPM	440/800 RPM	1	H236472	
14	320/790 RPM	320/790 RPM	1	H221732	
14	520/1000 RPM, S670	520/1000 RPM, S670	1	HXE54503	X
14	S670STS, S670 HILLMASTER	S670STS, S670 HILLMASTER	1	H230230	
15			1	H238822	X
15			1	HXE32806	X
16			1	HXE22617	X
17			1	H238867	X
18			1	H221273	
19			1	HXE24085	X
19			1	HXE24086	X
20			1	H240895	X

X - not in standard offer / brak w standardowej ofercie



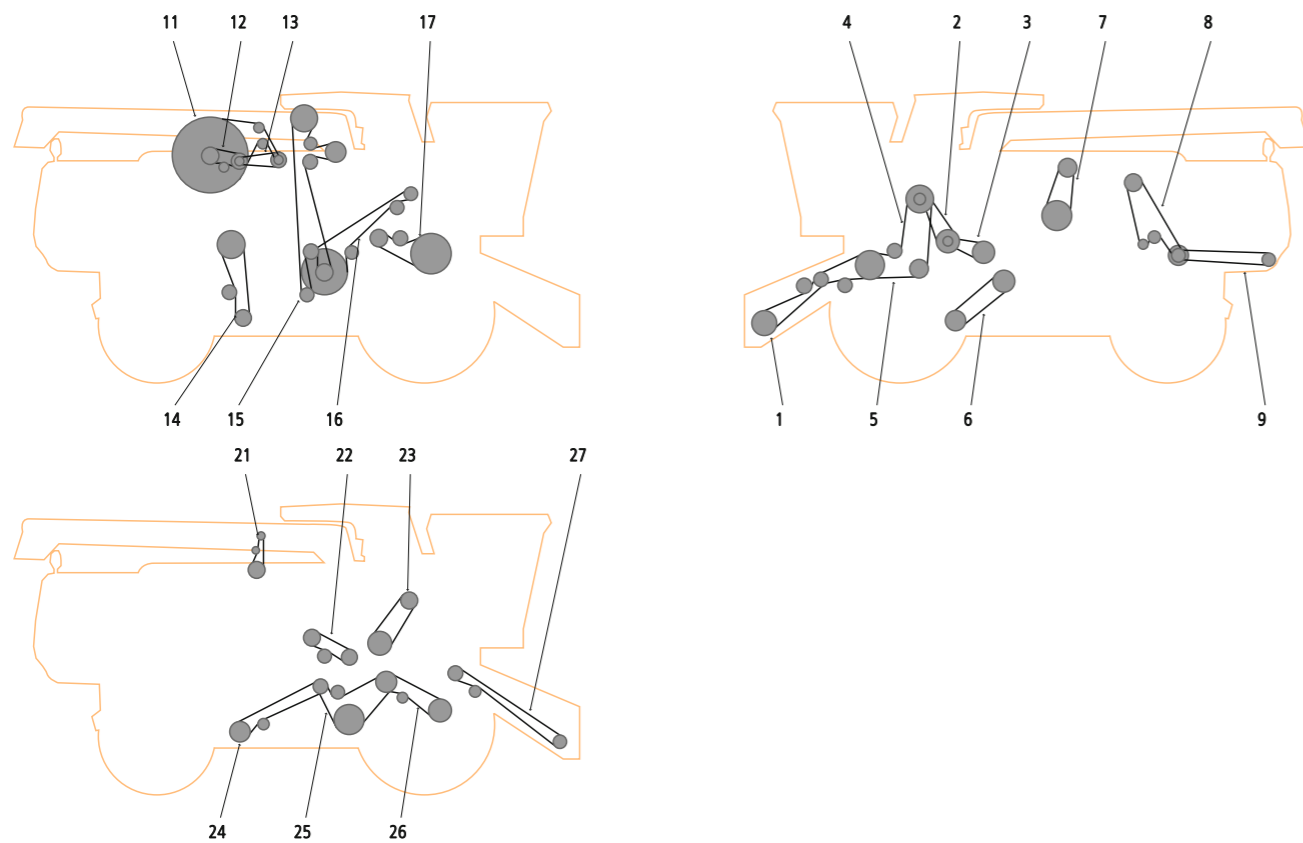


ITEM / POZYCJA	APPLICATION	OPIS	QUANTITY OF V-BELTS IN DRIVE / ILOŚĆ PASÓW W ZESPOLE	OE PART NUMBER / NUMER KATALOGOWY	COMMENT / UWAGI
1			1	H229019	
1			1	H174885	
2			1	H156541	
2			1	H229018	
3			1	AH233198	X
4			1	H208431	X
5			1	H241230	X
5			1	H240888	X
6			1	H241212	X
6			1	H240974	X
6			1	H240972	X
7			1	AH236689	X
8			1	H223230	
8			1	HXE20763	X
9			1	H154723	
10			1	AH150678	
11			1	HXE15594	X
12			1	H175587	
13	440/800 RPM	440/800 RPM	1	H236472	
13	320/790 RPM	320/790 RPM	1	H221732	
13	520/1000 RPM	520/1000 RPM	1	HXE54503	X
13	S690 STS, S690 HILLMASTER	S690 STS, S690 HILLMASTER	1	H230230	
14			2	H240895	X
15			1	H238831	X
15			1	R503505	X
16			1	HXE32548	X
17			1	H238867	X
18			1	H221273	
19			1	R503312	X
20	S690 AND S690HM ONLY	S690 AND S690HM	1	HXE38073	X

X - not in standard offer / brak w standardowej ofercie

ITEM / POZYCJA	APPLICATION	OPIS	QUANTITY OF V-BELTS IN DRIVE / ILOŚĆ PASÓW W ZESPOLE	OE PART NUMBER / NUMER KATALOGOWY	COMMENT / UWAGI
1			1	H156541	
1	S690 EUROPEAN ONLY	S690 TYLKO EUROPA	1	H229018	
3			1	AH160080	
4			1	H208431	X
5			1	H219182	
6			1	H228347	
7			1	H228346	
8			1	H174885	
8	S690 EUROPEAN ONLY	S690 TYLKO EUROPA	1	H229019	
9			1	H218645	
10			1	H154723	
11			1	AH150678	
12			1	H221733	
12			1	H221732	
13			1	H175587	
14			1	H230909	
14			1	H215389	X
15			1	H154731	

X - not in standard offer / brak w standardowej ofercie

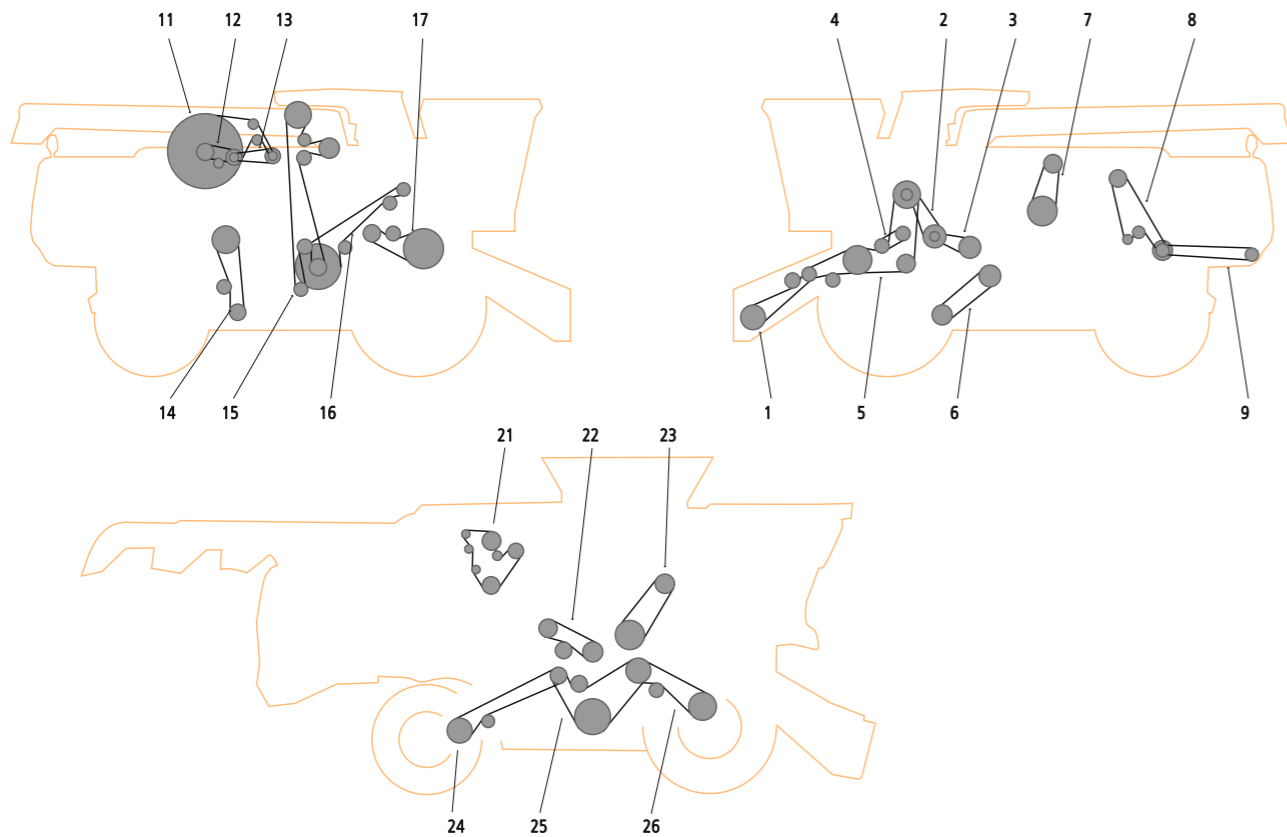


ITEM / POZYCJA	APPLICATION	OPIS	QUANTITY OF V-BELTS IN DRIVE / ILOŚĆ PASÓW W ZESPOLE	OE PART NUMBER / NUMER KATALOGOWY	COMMENT / UWAGI
14			1	Z59557	
15	CLEAN GRAIN ELEVATOR DRIVE	NAPĘD PRZENOŚNIKA ZIAREN	1	H141166	
16	COUNTERSHAFT DRIVE (SECONDARY)	NAPĘD WAŁKA POŚREDNIEGO (POMOCNICZY)	1	H128010	
17	CYLINDER DRIVE	NAPĘD BĘBNA MŁÓCĄCEGO	1	H115881	X
21				H214375	
21	FOR T560 EDITION MY2014	DO T560 EDYCJA MY2014	1	HXE22090	
21	FOR T560 EDITION MY2014	DO T560 EDYCJA MY2014	1	HXE11117	X
22	BEATER DRIVE	NAPĘD MŁOCARNI	1	AH139436	
23				H210476	X
24				Z103867	
25				Z103861	
26			1	Z67285	

X - not in standard offer / brak w standardowej ofercie

ITEM / POZYCJA	APPLICATION	OPIS	QUANTITY OF V-BELTS IN DRIVE / ILOŚĆ PASÓW W ZESPOLE	OE PART NUMBER / NUMER KATALOGOWY	COMMENT / UWAGI
0	FOR T550	DO T550	1	AH139436	
0	FOR T550	DO T550	1	AH163931	
0	FOR T550 EDITION MY2012- AND MY2014	DO T550 EDYCJA MY2012 I MY2014	1	Z103845	
0	FOR T550 EDITION MY2012- AND MY2014	DO T550 EDYCJA MY2012 I MY2014	1	HXE22087	X
0	FOR T550 EDITION MY2012- AND MY2014	DO T550 EDYCJA MY2012 I MY2014	1	HXE40946	X
0	FOR T560 EDITION MY2012-	DO T560 EDYCJA MY2012	1	HXE19401	X
1			1	H176766	
1			1	H202821	
1				HXE12426	
1				HXE12427	
2				Z103844	
3				Z103845	
4	STRIPPER BEATER	BĘBEN MŁÓCĄCY	1	H139963	
5			1	H176765	X
5			1	H177383	
5				HXE12425	
6	FAN DRIVE	NAPĘD WENTYLATORA	1	H152146	
6	FOR T560 EDITION MY2012- AND MY2014	DO T560 EDYCJA MY2012 I MY2014	1	H152180	
7			2	AH158880	
8			1	H177177	
9			1	H177178	
9			1	Z59286	
9	FOR T560 EDITION MY2014	DO T560 EDYCJA MY2014	1	H177442	
11			1	H175628	
12				H174455	X
13	ROTARY SCREEN DRIVE	NAPĘD KOSZA CHŁODZĄCEGO	1	H146636	

X - not in standard offer / brak w standardowej ofercie

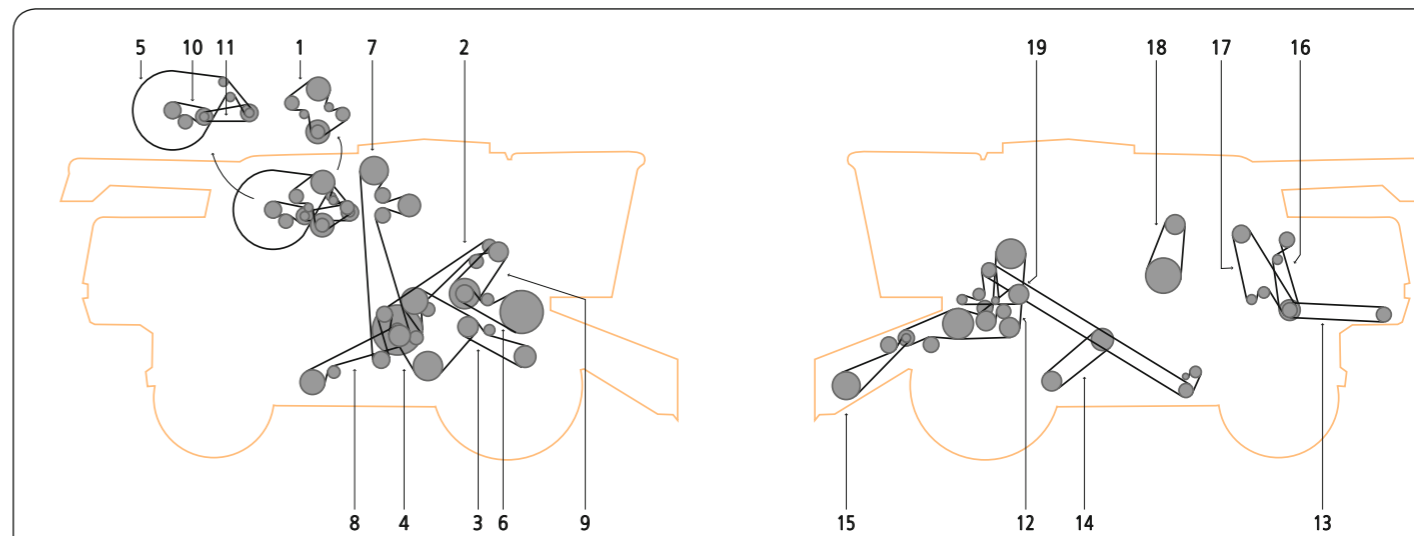
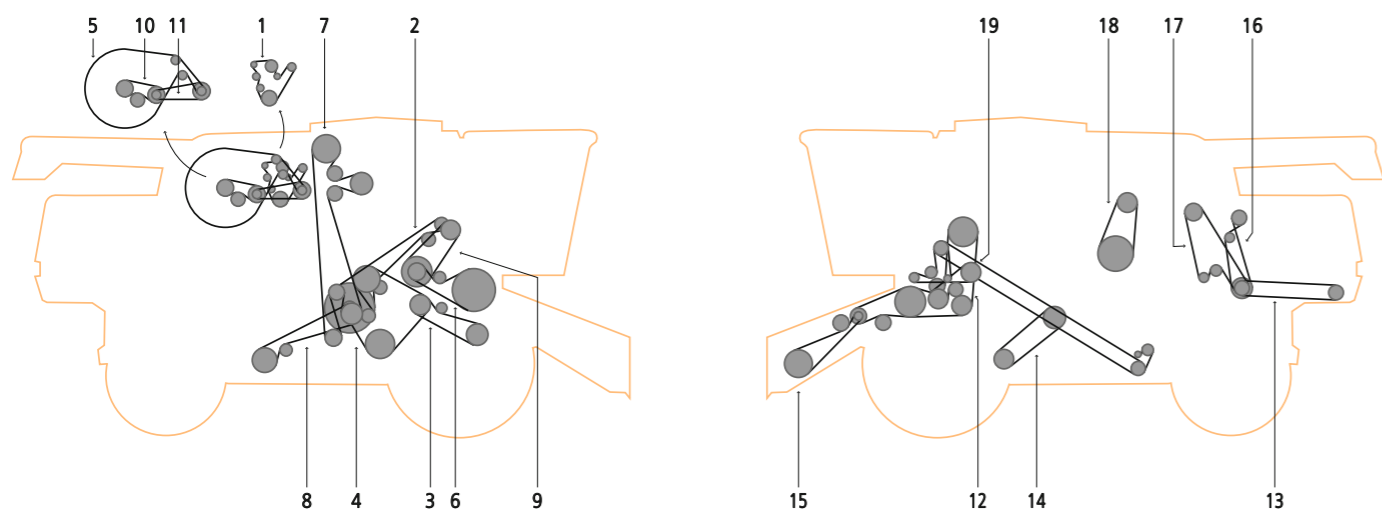


ITEM / POZYCJA	APPLICATION	OPIS	QUANTITY OF V-BELTS IN DRIVE / ILOŚĆ PASÓW W ZESPOLE	OE PART NUMBER / NUMER KATALOGOWY	COMMENT / UWAGI
13	ROTARY SCREEN DRIVE	NAPĘD KOSZA CHŁODZĄCEGO	1	H146636	
14			1	Z59557	
15	CLEAN GRAIN ELEVATOR	NAPĘD PRZENOŚNIKA ZIAREN	1	H141166	
15	FOR T670 EDITION MY-2011 ; MY2012- ; MY2014	DO T670 EDYCJA MY-2011 ; MY2012- ; MY2014	1	HXE51300	X
16	COUNTERSHAFT DRIVE (SECONDARY)	NAPĘD WAŁKA POŚREDNIEGO (POMOCNICZY)	1	H128010	
17	CYLINDER DRIVE	NAPĘD BĘBNA MLÓCĄCEGO	1	H115881	
21			1	R504618	X
22			1	AH139436	
23			1	HXE51101	X
24			1	Z103867	
25			1	Z103861	
26			1	Z67285	

X - not in standard offer / brak w standardowej ofercie

ITEM / POZYCJA	APPLICATION	OPIS	QUANTITY OF V-BELTS IN DRIVE / ILOŚĆ PASÓW W ZESPOLE	OE PART NUMBER / NUMER KATALOGOWY	COMMENT / UWAGI
0	FOR T670 EDITION MY2012- AND MY2014	DO T670 EDYCJA MY2012- I MY2014	1	HXE23801	X
0	FOR T670 EDITION MY2012- AND MY2014	DO T670 EDYCJA MY2012- I MY2014	1	H238889	X
0	FOR T670 EDITION MY2012- AND MY2014	DO T670 EDYCJA MY2012- I MY2014	1	H238870	X
0	FOR T670 EDITION MY2012-	DO T670 EDYCJA MY2012-	1	Z103845	
1			1	H176766	
1			1	H202821	
1				HXE12426	
1				HXE12427	
2				Z103844	
2	FOR T670 EDITION MY2012- AND MY2014	DO T670 EDYCJA MY2012- I MY2014	1	HXE19401	X
3				Z103845	
4	STRIPPER BEATER	BĘBEN MLÓCĄCY	1	H139963	
4	FOR T670 EDITION MY2012- AND MY2014	DO T670 EDYCJA MY2012- I MY2014	1	HXE17164	X
5			1	H176765	X
5				HXE12425	
6	FAN DRIVE	NAPĘD WENTYLATORA	1	H152146	
7			2	AH158880	
8			1	H177177	
9			1	H177178	
9			1	Z59286	
9	FOR T670 EDITION MY2014	DO T670 EDYCJA MY2014	1	H177442	
11			1	H175628	
11	FOR T670 EDITION MY2012- AND MY2014	DO T670 EDYCJA MY2012- I MY2014		H221273	
12				H174455	X

X - not in standard offer / brak w standardowej ofercie

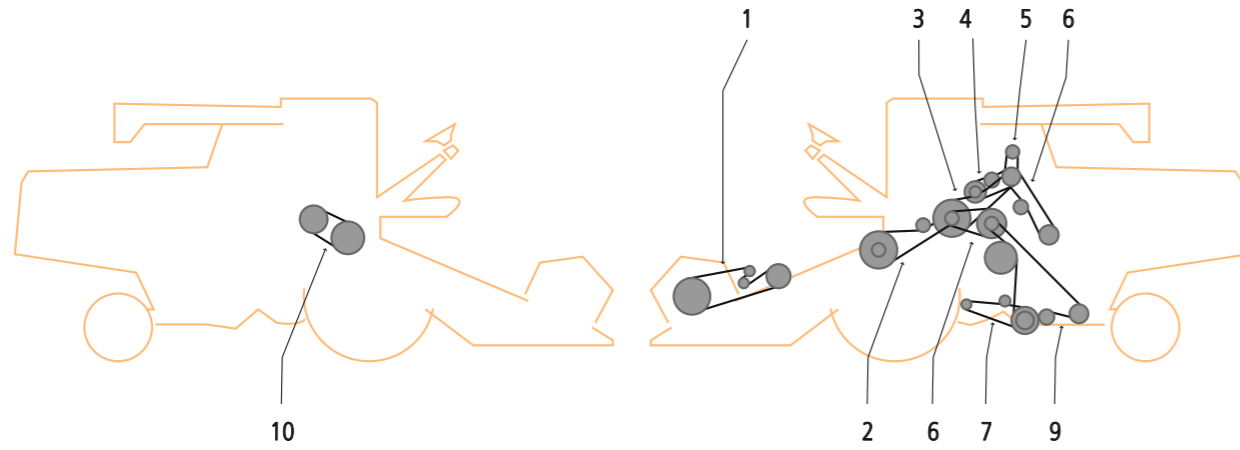


ITEM / POZYCJA	APPLICATION	OPIS	QUANTITY OF V-BELTS IN DRIVE / ILOŚĆ PASÓW W ZESPOLE	OE PART NUMBER / NUMER KATALOGOWY	COMMENT / UWAGI
0			1	R504618	X
1			1	H166870	X
1	W540 MY 2012, W550 MY 2012, W550 MY 2014	W540 MY 2012, W550 MY 2012, W550 MY 2014	1	HXE22087	X
1	W540 MY 2014	W540 MY 2014	1	HXE28843	X
1	W540 MY 2014, W550 MY 2014	W540 MY 2014, W550 MY 2014	1	HXE40946	X
2			1	H128010	
3			1	Z67285	
4			1	Z58752	
5			1	H175632	
5	W540 MY 2014, W550 MY 2012, W550 MY 2014	W540 MY 2014, W550 MY 2012, W550 MY 2014	1	H175628	
5	W540 MY 2014, W550 MY 2014	W540 MY 2014, W550 MY 2014	1	H221273	
6			1	H115881	
7			1	HXE51300	X
8			1	N110085	
9			1	HXE51101	X
9	W550 MY 2011,	W550 MY 2011,	1	H210476	X
10			1	H177186	X
10	W540 MY 2012, W540 MY 2014, W550 MY 2012, W550 MY 2014	W540 MY 2012, W540 MY 2014, W550 MY 2012, W550 MY 2014	1	H175467	X
11			1	H177589	
12			1	H176765	X
12	W540 MY 2012	W540 MY 2012	1	H177383	
12	W550 MY 2011, W550 MY 2012, W550 MY 2014	W550 MY 2011, W550 MY 2012, W550 MY 2014	1	HXE12425	
13			1	H177442	
13			1	H177178	
13			1	Z59286	
14			1	H152146	
14			1	H152180	
15			1	H176766	
15			1	H202821	
15			1	H176882	
15	W550 MY 2011, W550 MY 2012, W550 MY 2014	W550 MY 2011, W550 MY 2012, W550 MY 2014	1	HXE12426	
15	W550 MY 2011, W550 MY 2012, W550 MY 2014	W550 MY 2011, W550 MY 2012, W550 MY 2014	1	HXE12427	
16			1	Z78834	
17			1	H177177	
18			1	AH158880	
19			1	AH139436	
19			1	AH163931	

X - not in standard offer / brak w standardowej ofercie

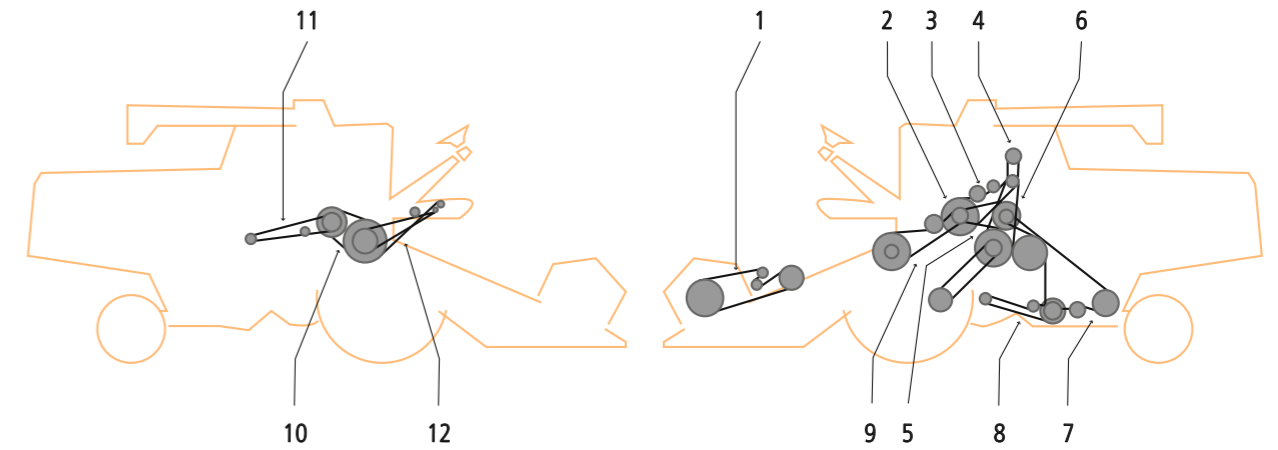
ITEM / POZYCJA	APPLICATION	OPIS	QUANTITY OF V-BELTS IN DRIVE / ILOŚĆ PASÓW W ZESPOLE	OE PART NUMBER / NUMER KATALOGOWY	COMMENT / UWAGI
0	W660 MY 2014	W660 MY 2014	1	HXE22090	X
0	W650 MY 2014, 650 MY 2012, 660 MY 2014	W650 MY 2014, 650 MY 2012, 660 MY 2014	1	H238869	X
0	W650 MY 2014, 650 MY 2012, 660 MY 2014	W650 MY 2014, 650 MY 2012, 660 MY 2014	1	H238870	X
1			1	R504618	X
1	W650 MY 2014	W650 MY 2014	1	HXE22087	X
1	W650 MY 2014, W660 MY 2011, W660 MY 2014	W650 MY 2014, W660 MY 2011, W660 MY 2014	1	HXE11117	X
2			1	H128010	
3			1	Z67285	
4			1	Z58752	
5			1	H175632	
5	W650 MY 2012, W660 MY 2011, W660 MY 2012, W660 MY 2014	W650 MY 2012, W660 MY 2011, W660 MY 2012, W660 MY 2014	1	H175628	
5	W650 MY 2014, W660 MY 2012, W660 MY 2014	W650 MY 2014, W660 MY 2012, W660 MY 2014	1	H221273	
6			1	H115881	
7			1	HXE51300	X
8			1	N110085	
9			1	HXE51101	X
10	W650 MY 2011	W650 MY 2011	1	H177186	X
10	W650 MY 2014, W 660 MY 2012, W660 MY 2014	W650 MY 2014, W 660 MY 2012, W660 MY 2014	1	HXE23801	X
10	W650 MY 2014	W650 MY 2014	1	H175467	X
10	W660 MY 2011	W660 MY 2011	1	H146636	
11			1	H146636	
11	W650 MY 2014, W660 MY 2012, W660 MY 2014	W650 MY 2014, W660 MY 2012, W660 MY 2014	1	H238871	X
12			1	H176765	X
12	W650 MY 2014, W660 MY 2012, W660 MY 2014	W650 MY 2014, W660 MY 2012, W660 MY 2014	1	HXE12425	
13			1	H177442	
13			1	H177178	
13			1	Z59286	
14			1	H152146	
14			1	H152180	
15			1	H176766	
15			1	H202821	
15	W650 MY 2014, W660 MY 2011, W660 MY 2012, W660 MY 2014	W650 MY 2014, W660 MY 2011, W660 MY 2012, W660 MY 2014	1	HXE12426	
15	W650 MY 2014, W660 MY 2011, W660 MY 2012, W660 MY 2014	W650 MY 2014, W660 MY 2011, W660 MY 2012, W660 MY 2014	1	HXE12427	
15	W650 MY 2014	W650 MY 2014	1	H176765	X
16			1	Z78834	
17			1	H177177	
18			1	AH158880	
19			1	AH139436	
19			1	AH163931	

X - not in standard offer / brak w standardowej ofercie



ITEM / POZYCJA	APPLICATION	OPIS	QUANTITY OF V-BELTS IN DRIVE / ILOŚĆ PASÓW W ZESPOLE	OE PART NUMBER / NUMER KATALOGOWY	COMMENT / UWAGI
1	REEL DRIVE	NAPĘD MOTOWIDŁA	1	340433458	
2	UPPER SHAFT ELEVATOR DRIVE	NAPĘD GÓRNEGO WAŁKA ELEWATORA	1	340433428	
3	THRESHING DRIVE	NAPĘD MŁOCARNI	1	344311220	
4	PUMP DRIVE	NAPĘD POMPY	1	340432232	
5	AUGER DRIVE	NAPĘD ŚLIMAKA	1	340433252	
6	HYDRAULIC PUMP DRIVE	NAPĘD POMPY HYDRAULICZNEJ	1	344310222	
7	STRAW WALKER - AUGER DRIVE	NAPĘD PRZENOŚNIKA KŁOSÓW - PRZENOŚNIK ŚLIMAKOWY	1	340433968	
8	RETURN DRIVE	PRZEKŁADNIA ZMIANY KIERUNKU OBROTÓW	1	340433412	
9	FAN DRIVE	NAPĘD WENTYLATORA	1	340433290	
10	CYLINDER DRIVE	NAPĘD BĘBNA MŁÓCĄCEGO	1	340435138	X

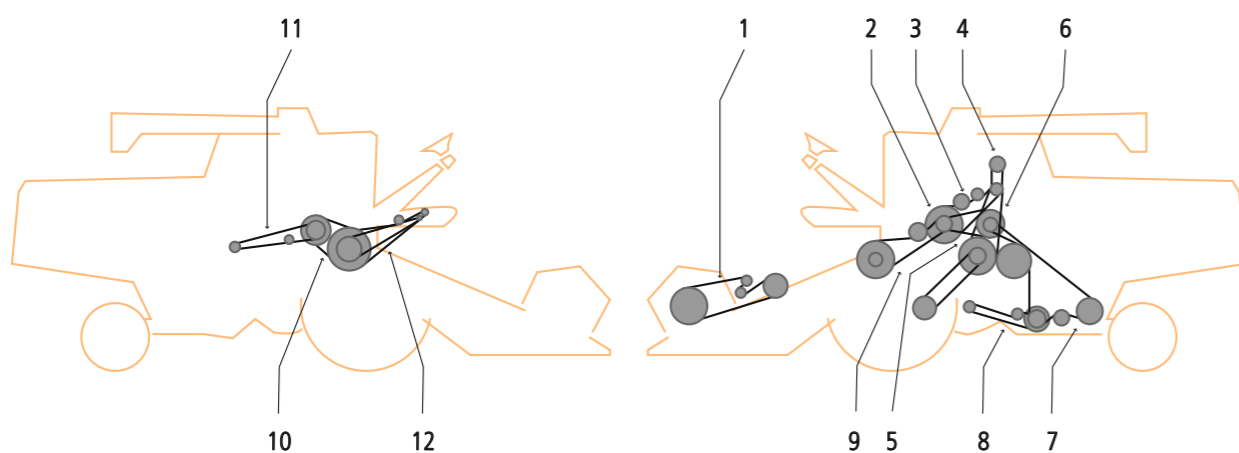
X - not in standard offer / brak w standardowej ofercie



ITEM / POZYCJA	APPLICATION	OPIS	QUANTITY OF V-BELTS IN DRIVE / ILOŚĆ PASÓW W ZESPOLE	OE PART NUMBER / NUMER KATALOGOWY	COMMENT / UWAGI
1	REEL DRIVE	NAPĘD MOTOWIDŁA	1	340433458	
2	THRESHING DRIVE	NAPĘD MŁOCARNI	1	344311217	
3	UNLOADING SYSTEM - VIBRATOR	SYSTEM ROZŁADUNKU - WIBRATOR	1	340433980	
3	CLEAN GRAIN ELEVATOR. U-JOINT LOADING AUGER	NAPĘD PRZENOŚNIKA ŚLIMAKOWEGO	1	E60212	
3	CLEAN GRAIN ELEVATOR DRIVE	NAPĘD PRZENOŚNIKA ZIARNA	1	H87648	
4	PUMP DRIVE	NAPĘD POMPY	1	340433223	
4	CLEAN GRAIN ELEVATOR COUNTERSHAFT	NAPĘD POŚREDNI PRZENOŚNIKA ZIARNA	1	H23817	
5	TRACTION DRIVE	NAPĘD JAZDY	1	340435120	X
6	RETURN DRIVE	PRZEKŁADNIA ZMIANY KIERUNKU OBROTÓW	1	340433412	
6	CLEANING FAN	NAPĘD WIAŁNI	1	H80726	
7	AIR CONDITIONING COMPRESSOR	NAPĘD KOMPRESORA KLIMATYZACJI	1	H86273	
7	AIR CONDITIONING COMPRESSOR	NAPĘD KOMPRESORA KLIMATYZACJI	1	H81742	
7	COMPRESSOR DRIVE	NAPĘD KOMPRESORA	1	H80896	
7	STRAW WALKER - AUGER DRIVE	NAPĘD PRZENOŚNIKA KŁOSÓW - PRZENOŚNIK ŚLIMAKOWY	1	340433970	
7	AIR CONDITIONING COMPRESSOR	NAPĘD KOMPRESORA KLIMATYZACJI	1	H63772	
8	MAIN FAN	NAPĘD GŁÓWNY WENTYLATORA	1	340433283	
9	CYLINDER DRIVE	NAPĘD BĘBNA MŁÓCĄCEGO	1	AH80500	
9	UPPER SHAFT ELEVATOR DRIVE	NAPĘD GÓRNEGO WAŁKA ELEWATORA	1	340433432	
10	ENGINE FAN	NAPĘD WENTYLATORA	1	H79236	
10	ENGINE FAN - CAB WITH AIR CONDITIONING	NAPĘD WENTYLATORA	1	H86271	
10	CYLINDER DRIVE	NAPĘD BĘBNA MŁÓCĄCEGO	1	340435138	X
11	ENGINE FAN COUNTERSHAFT	POŚREDNI WAŁ NAPĘDU WENTYLATORA	1	H79235	
11	FAN DRIVE	NAPĘD WENTYLATORA	1	340433176	
12	BLOWER DRIVE	NAPĘD WENTYLATORA CHŁODNICY	1	340433188	
12	FRONT STRAW CHOPPER	NAPĘD ROZDRABNIACZA SŁOMY	1	H20407	

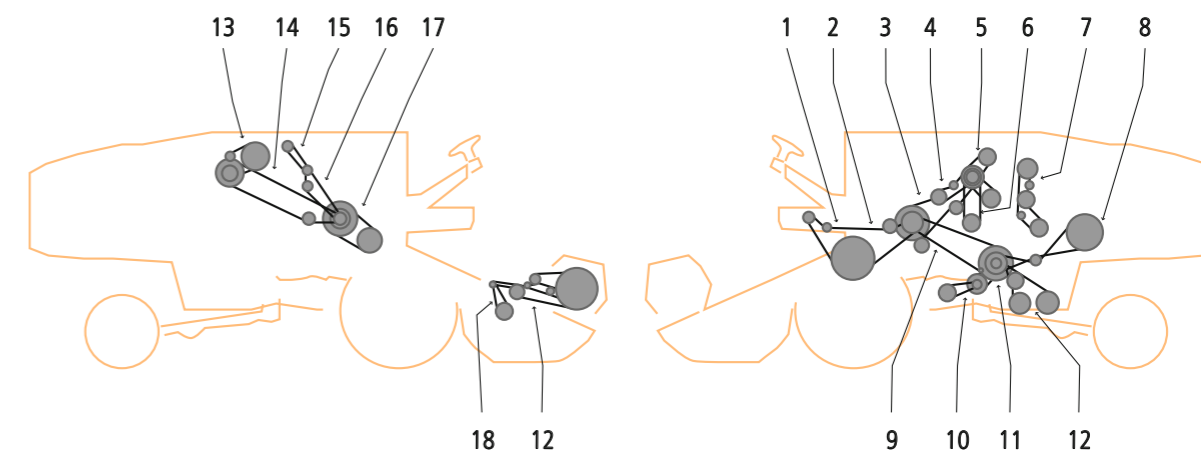
X - not in standard offer / brak w standardowej ofercie





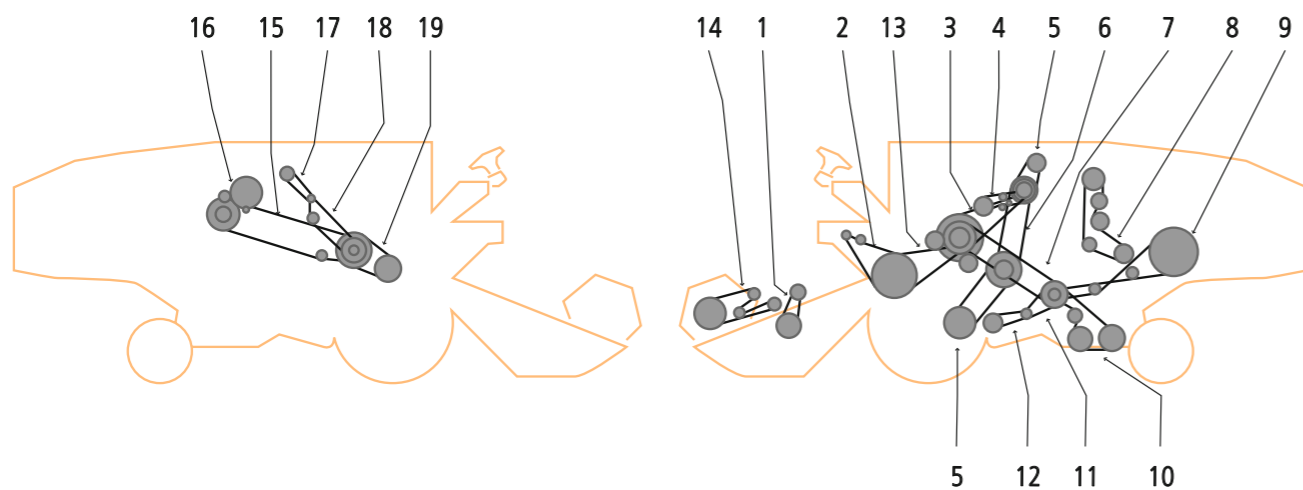
ITEM / POZYCJA	APPLICATION	OPIS	QUANTITY OF V-BELTS IN DRIVE / ILOŚĆ PASÓW W ZESPOLE	OE PART NUMBER / NUMER KATALOGOWY	COMMENT / UWAGI
1	REEL DRIVE	NAPĘD MOTOWIDŁA	1	340433458	
2	THRESHING DRIVE	NAPĘD MŁOCARNI	1	344311217	
3	RETURN AUGER DRIVE	NAPĘD PRZENOŚNIKA KŁOSOWEGO	1	340433252	
4			1	340433239	
5	HYDRAULIC PUMP	POMPA HYDRAULICZNA	1	344311212	
6	RETURN DRIVE	PRZEKŁADNIA ZMIANY KIERUNKU OBROTÓW	1	340433412	
7	STRAW WALKER - AUGER DRIVE	NAPĘD PRZENOŚNIKA KŁOSÓW - PRZENOŚNIK ŚLIMAKOWY	1	340433970	
8	MAIN FAN	NAPĘD GŁÓWNY WENTYLATORA	1	340433283	
9	UPPER SHAFT ELEVATOR DRIVE	NAPĘD GÓRNEGO WAŁKA ELEWATORA	1	340433432	
10	CYLINDER DRIVE	NAPĘD BĘBNA MŁÓCĄCEGO	1	340435138	X
11	FAN DRIVE	NAPĘD WENTYLATORA	1	340433176	
12	BLOWER DRIVE	NAPĘD WENTYLATORA CHŁODNICY	1	340433188	

X - not in standard offer / brak w standardowej ofercie



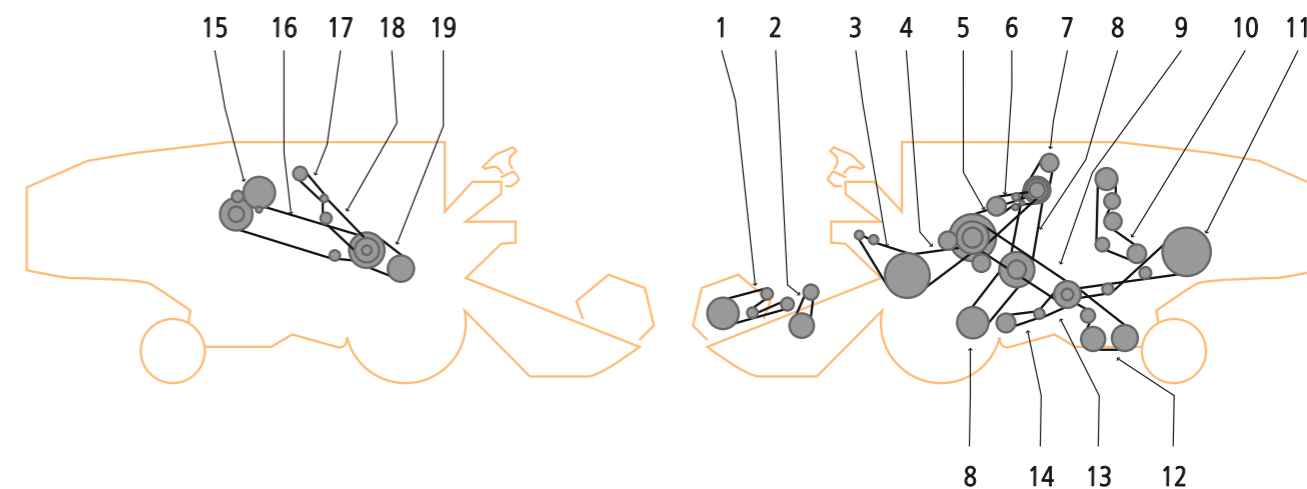
ITEM / POZYCJA	APPLICATION	OPIS	QUANTITY OF V-BELTS IN DRIVE / ILOŚĆ PASÓW W ZESPOLE	OE PART NUMBER / NUMER KATALOGOWY	COMMENT / UWAGI
1	BLOWER	NAPĘD WIAJNI CZYSZCZĄCEJ	1	340433182	
2	ELEVATOR DRIVE	NAPĘD PRZENOŚNIKA	1	340433531	
3	THRESHING DRIVE	NAPĘD MŁOCARNI	1	344311221	
4	AUGER DRIVE	NAPĘD ŚLIMAKA	1	340433417	
5	HYDRAULIC PUMP DRIVE	NAPĘD POMPY HYDRAULICZNEJ	1	340432244	
6	HYDRAULIC PUMP DRIVE	NAPĘD POMPY HYDRAULICZNEJ	1	344311212	
7	GRAIN ELEVATOR DRIVE	NAPĘD PRZENOŚNIKA ZIARNOWEGO	1	340433289	
8	STRAW WALKER	NAPĘD ZESPOŁU WYTRZĄSACZY	1	340433455	
9	MAIN RETURN DRIVE	GŁÓWNA PRZEKŁADNIA ZMIANY KIERUNKU OBROTÓW	1	340433537	
10	MAIN FAN (SECONDARY)	NAPĘD GŁÓWNY WENTYLATORA POMOCNICZEGO	1	340433410	
11	MAIN FAN (PRIMARY)	NAPĘD GŁÓWNY WENTYLATORA	1	340433409	
12	GRAIN TAILINGS AUGER	PRZENOŚNIK NIE DOMŁÓCONYCH KŁOSÓW	1	340433430	
13	FEEDING SHAFT	NAPĘD PRZEKŁADNI PRZENOŚNIKA	1	340433236	
14	REEL DRIVE	NAPĘD MOTOWIDŁA	1	340433456	
15	ROTARY FILTER (SECONDARY)	NAPĘD SIT OBROTOWYCH POMOCNICZY	1	340433134	
16	ROTARY FILTER (PRIMARY)	NAPĘD SIT OBROTOWYCH GŁÓWNY	1	340433162	
17	FEEDING SHAFT	NAPĘD PRZEKŁADNI PRZENOŚNIKA	1	340435146	
18	REEL DRIVE	NAPĘD MOTOWIDŁA	1	340434140	X
19	REEL DRIVE	NAPĘD MOTOWIDŁA	1	340433456	

X - not in standard offer / brak w standardowej ofercie



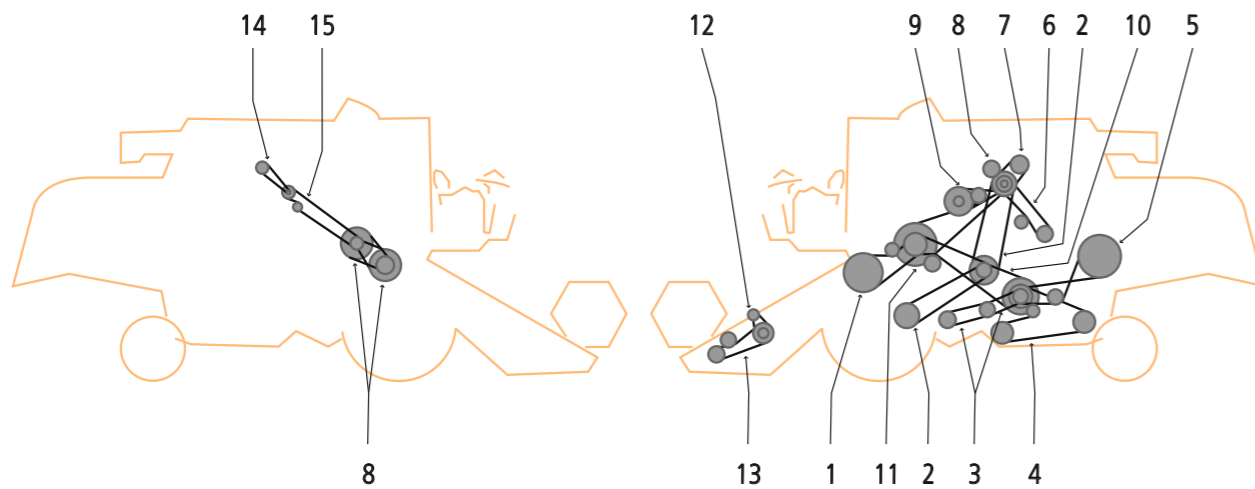
ITEM / POZYCJA	APPLICATION	OPIS	QUANTITY OF V-BELTS IN DRIVE / ILOŚĆ PASÓW W ZESPOLE	OE PART NUMBER / NUMER KATALOGOWY	COMMENT / UWAGI
1	REEL DRIVE	NAPĘD MOTOWIDŁA	1	340434138	
1	REEL DRIVE	NAPĘD MOTOWIDŁA	1	340434140	X
2	BLOWER DRIVE	NAPĘD WENTYLATORA CHŁODNICY	1	340433182	
3	CYLINDER DRIVE	NAPĘD BĘBNA MŁÓCĄCEGO	1	344311221	
3	CONVERTER DRIVE		1	340433418	
4	THRESHING DRIVE	NAPĘD MŁOCARNI	1	344311222	
4	AUGER DRIVE	NAPĘD ŚLIMAKA	1	340433417	
6	OIL PUMP	NAPĘD POMPY	1	340432243	
6	HYDRAULIC PUMP DRIVE	NAPĘD POMPY HYDRAULICZNEJ	1	340433244	
7	RETURN DRIVE	PRZEKŁADNIA ZMIANY KIERUNKU OBROTÓW	1	340433537	
8	FAN	NAPĘD WENTYLATORA	1	340433289	
9	STRAW WALKER	NAPĘD ZESPOŁU WYTRZĄSACZY	1	340433455	
10	TAILINGS AUGER DRIVE	NAPĘD ŚLIMAKA KŁOSOWEGO	1	340433430	
11	FAN DRIVE	NAPĘD WENTYLATORA	1	340433409	
12	MAIN FAN	NAPĘD GŁÓWNY WENTYLATORA	1	340433410	
13	ELEVATOR DRIVE	NAPĘD PRZENOŚNIKA	1	340433531	
14	REEL DRIVE	NAPĘD MOTOWIDŁA	1	340433316	
14	REEL DRIVE	NAPĘD MOTOWIDŁA	1	340433435	
15	REEL DRIVE	NAPĘD MOTOWIDŁA	1	340433456	
16	FEEDING SHAFT	NAPĘD PRZEKŁADNI PRZENOŚNIKA	1	340433236	
17	ROTARY FILTER	NAPĘD SIT OBROTOWYCH	1	340433134	
18	FILTER	NAPĘD SITA	1	340433162	

X - not in standard offer / brak w standardowej ofercie



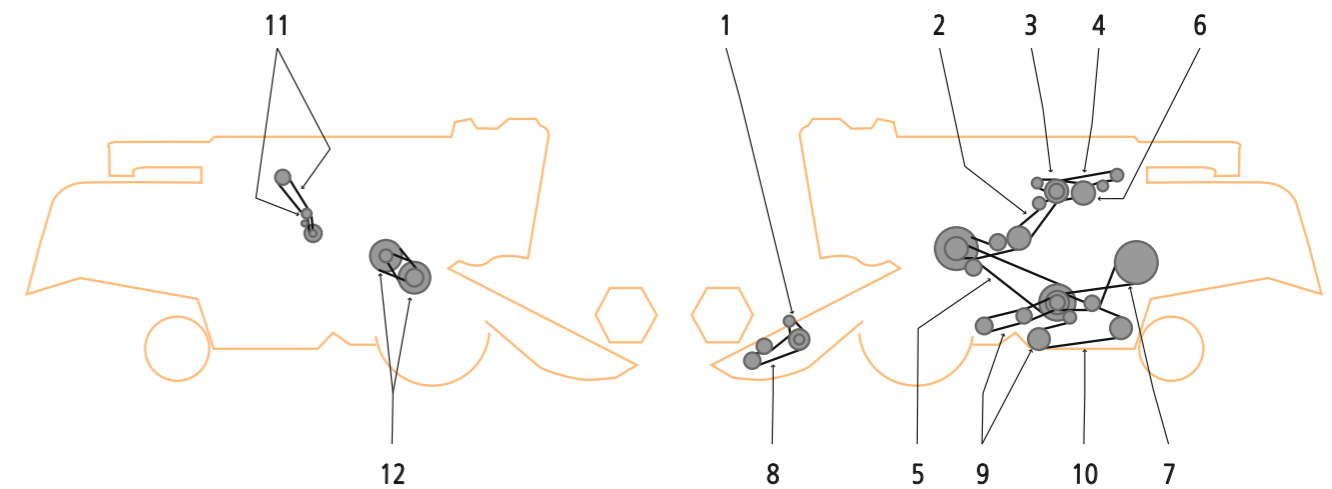
ITEM / POZYCJA	APPLICATION	OPIS	QUANTITY OF V-BELTS IN DRIVE / ILOŚĆ PASÓW W ZESPOLE	OE PART NUMBER / NUMER KATALOGOWY	COMMENT / UWAGI
1	REEL DRIVE	NAPĘD MOTOWIDŁA	1	340433316	
1	REEL DRIVE	NAPĘD MOTOWIDŁA	1	340433435	
2	REEL DRIVE	NAPĘD MOTOWIDŁA	1	340434138	
2	REEL DRIVE	NAPĘD MOTOWIDŁA	1	340434140	X
3	BLOWER	NAPĘD WIALNI CZYSZCZĄCEJ	1	340433182	
4	ELEVATOR DRIVE	NAPĘD PRZENOŚNIKA	1	340433531	
5	THRESHING DRIVE	NAPĘD MŁOCARNI	1	344311221	
5	THRESHING DRIVE	NAPĘD MŁOCARNI	1	344311316	
6	AUGER DRIVE	NAPĘD ŚLIMAKA	1	340433417	
7	HYDRAULIC PUMP DRIVE	NAPĘD POMPY HYDRAULICZNEJ	1	340432243	
7	HYDRAULIC PUMP DRIVE	NAPĘD POMPY HYDRAULICZNEJ	1	340432244	
9	MAIN RETURN DRIVE	GŁÓWNA PRZEKŁADNIA ZMIANY KIERUNKU OBROTÓW	1	340433537	
10	FAN	NAPĘD WENTYLATORA	1	340433289	
11	STRAW WALKER	NAPĘD ZESPOŁU WYTRZĄSACZY	1	340433455	
12	GRAIN TAILINGS AUGER	PRZENOŚNIK NIE DOMŁÓCONYCH KŁOSÓW	1	340433430	
13	MAIN FAN (PRIMARY)	NAPĘD GŁÓWNY WENTYLATORA	1	340433409	
14	MAIN FAN (SECONDARY)	NAPĘD GŁÓWNY WENTYLATORA POMOCNICZEGO	1	340433410	
14	CONVERTER DRIVE		1	340433418	
15	FEEDING SHAFT	NAPĘD PRZEKŁADNI PRZENOŚNIKA	1	340433236	
16	REEL DRIVE	NAPĘD MOTOWIDŁA	1	340433456	
17	ROTARY FILTER (SECONDARY)	NAPĘD SIT OBROTOWYCH POMOCNICZY	1	340433134	
18	ROTARY FILTER (PRIMARY)	NAPĘD SIT OBROTOWYCH GŁÓWNY	1	340433162	
19	CYLINDER DRIVE	NAPĘD BĘBNA MŁÓCĄCEGO	1	344351146	

X - not in standard offer / brak w standardowej ofercie



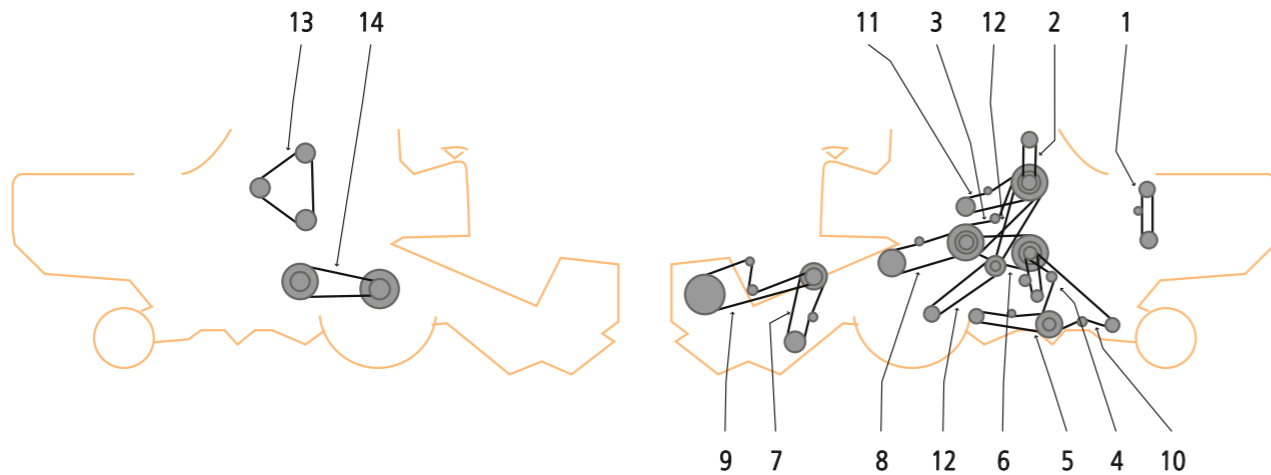
ITEM / POZYCJA	APPLICATION	OPIS	QUANTITY OF V-BELTS IN DRIVE / ILOŚĆ PASÓW W ZESPOLE	OE PART NUMBER / NUMER KATALOGOWY	COMMENT / UWAGI
1			1	344311127	
3	MAIN FAN	NAPĘD GŁÓWNY WENTYLATORA	1	340433424	
4	GRAIN TAILINGS AUGER	PRZENOŚNIK NIE DOMŁÓCONYCH KŁOSÓW	1	344311134	
5	STRAW WALKER	NAPĘD ZESPOŁU WYTRZĄSACZY	1	340433458	
6	HYDRAULIC PUMP DRIVE	NAPĘD POMPY HYDRAULICZNEJ	1	344311217	
7	OIL PUMP	NAPĘD POMPY	1	340432243	
8	COMPRESSOR DRIVE	NAPĘD KOMPRESORA	1	340433129	
9	AUGER DRIVE	NAPĘD ŚLIMAKA	1	340433467	
10	RETURN DRIVE	PRZEKŁADNIA ZMIANY KIERUNKU OBROTÓW	1	340433540	
11	CYLINDER DRIVE	NAPĘD BĘBNA MŁÓCĄCEGO	1	344311318	
12	REEL DRIVE	NAPĘD MOTOWIDŁA	1	340434138	
13	CONVERTER DRIVE		1	340433418	
14	ROTARY FILTER (SECONDARY)	NAPĘD SIT OBROTOWYCH POMOCNICZY	1	340433144	
15	ROTARY FILTER (PRIMARY)	NAPĘD SIT OBROTOWYCH GŁÓWNY	1	340433184	

X - not in standard offer / brak w standardowej ofercie



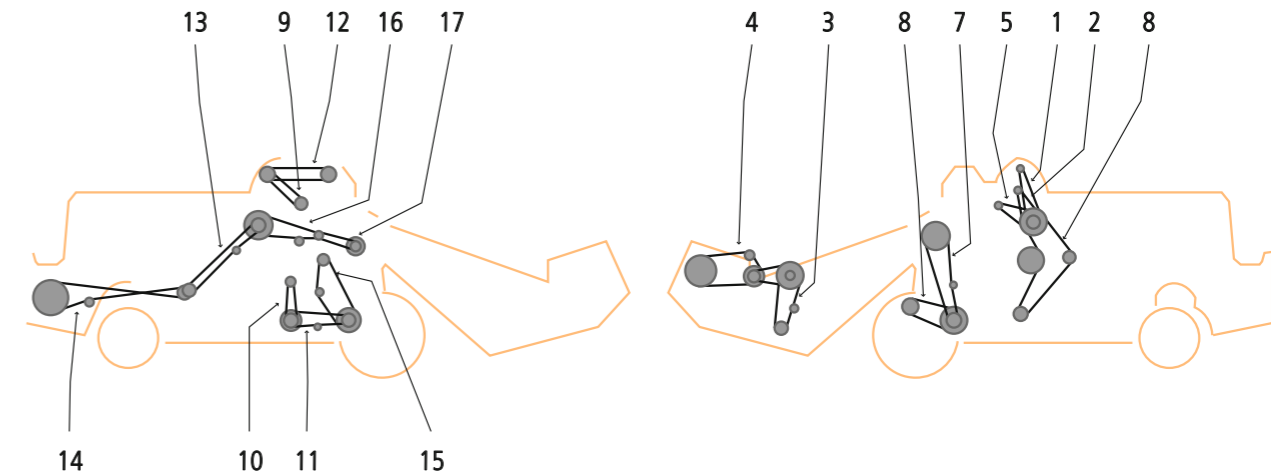
ITEM / POZYCJA	APPLICATION	OPIS	QUANTITY OF V-BELTS IN DRIVE / ILOŚĆ PASÓW W ZESPOLE	OE PART NUMBER / NUMER KATALOGOWY	COMMENT / UWAGI
1	REEL DRIVE	NAPĘD MOTOWIDŁA	1	340434138	
2	CYLINDER DRIVE	NAPĘD BĘBNA MŁÓCĄCEGO	1	344311418	
3	COMPRESSOR DRIVE	NAPĘD KOMPRESORA	1	340433038	
4	HYDRAULIC PUMP DRIVE	NAPĘD POMPY HYDRAULICZNEJ	1	344311314	
5	RETURN DRIVE	PRZEKŁADNIA ZMIANY KIERUNKU OBROTÓW	1	340433540	
6	OIL PUMP	NAPĘD POMPY	1	340433256	
7	STRAW WALKER	NAPĘD ZESPOŁU WYTRZĄSACZY	1	340433457	
8	CONVERTER DRIVE		1	340433418	
9	MAIN FAN	NAPĘD GŁÓWNY WENTYLATORA	1	340433424	
10	GRAIN TAILINGS AUGER	PRZENOŚNIK NIE DOMŁÓCONYCH KŁOSÓW	1	344311134	
11	ROTARY FILTER	NAPĘD SIT OBROTOWYCH	1	340433143	

X - not in standard offer / brak w standardowej ofercie



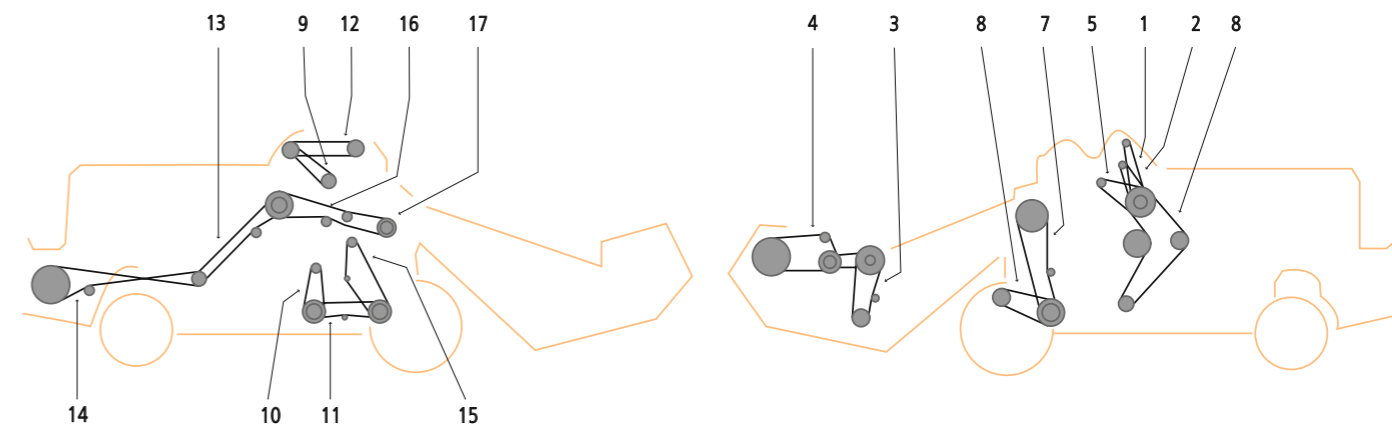
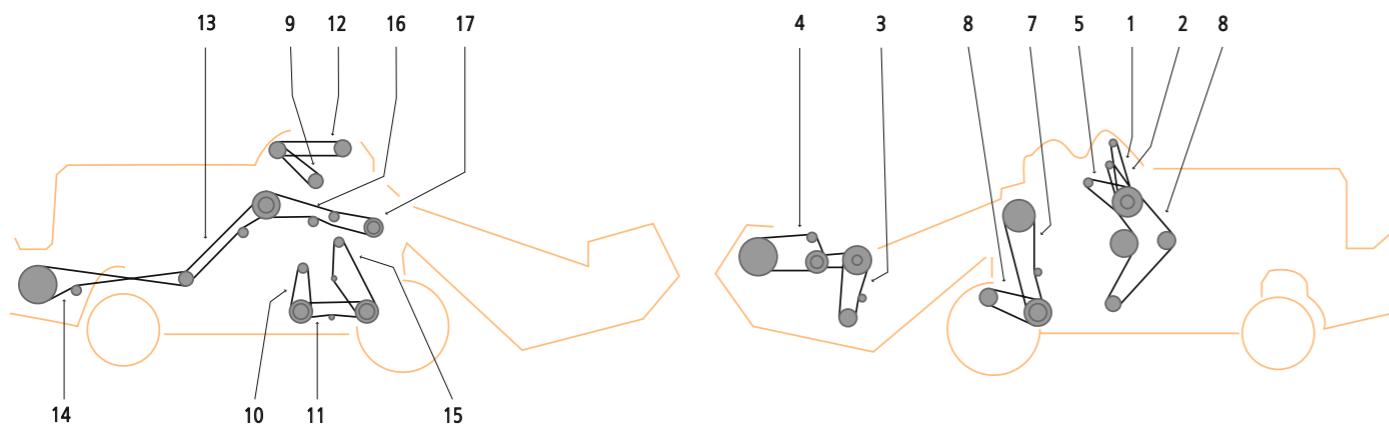
ITEM / POZYCJA	APPLICATION	OPIS	QUANTITY OF V-BELTS IN DRIVE / ILOŚĆ PASÓW W ZESPOLE	OE PART NUMBER / NUMER KATALOGOWY	COMMENT / UWAGI
1	FAN DRIVE GRAIN	NAPĘD OCZYSZCZANIA ZIARNA	1	340433131	
2	PUMP DRIVE	NAPĘD POMPY	1	340433223	
3	AUGER DRIVE	NAPĘD ŚLIMAKA	1	340433266	
4	GRAIN ELEVATOR DRIVE	NAPĘD PRZENOŚNIKA ZIARNOWEGO	1	340433274	
4	GRAIN ELEVATOR DRIVE	NAPĘD PRZENOŚNIKA ZIARNOWEGO	1	340433284	
5	FAN	NAPĘD WENTYLATORA	1	340433281	
6	RETURN DRIVE	PRZEKŁADNIA ZMIANY KIERUNKU OBROTÓW	1	340433414	
7	RETURN DRIVE	PRZEKŁADNIA ZMIANY KIERUNKU OBROTÓW	1	340433414	
7	RETURN DRIVE	PRZEKŁADNIA ZMIANY KIERUNKU OBROTÓW	1	340433419	
8	FEED CHANNEL	NAPĘD PRZENOŚNIKA POCHYLEGO	1	340433427	
9	REEL DRIVE	NAPĘD MOTOWIDŁA	1	340433440	
9	REEL	MOTOWIDŁO	1	340433441	
10	STRAW WALKER	NAPĘD ZESPOŁU WYTRZĄSACZY	1	340433970	
11	THRESHING DRIVE	NAPĘD MŁOCARNI	1	344311218	
12	TRACTION DRIVE	NAPĘD JAZDY	1	340435120	X
12	TRACTION DRIVE	NAPĘD JAZDY	1	340433145	
12	BLOWER DRIVE	NAPĘD WENTYLATORA CHŁODNICY	1	340433185	
13	FAN	NAPĘD WENTYLATORA	1	340433271	
14	CYLINDER DRIVE	NAPĘD BĘBNA MŁÓCĄCEGO	1	340435135	X
14	CYLINDER DRIVE	NAPĘD BĘBNA MŁÓCĄCEGO	1	340435138	X

X - not in standard offer / brak w standardowej ofercie



ITEM / POZYCJA	APPLICATION	OPIS	QUANTITY OF V-BELTS IN DRIVE / ILOŚĆ PASÓW W ZESPOLE	OE PART NUMBER / NUMER KATALOGOWY	COMMENT / UWAGI
1	FAN DRIVE	NAPĘD WENTYLATORA	1	340433163	
2	FAN DRIVE	NAPĘD WENTYLATORA	1	340433176	
3	RETURNS	ELEWATOR KŁOSOWY	1	340433415	
4	REEL	MOTOWIDŁO	1	340433433	
5	DE-AWNER	NAPĘD ŻUBROWNIKA	1	340433425	
6	STRAW WALKER	NAPĘD ZESPOŁU WYTRZĄSACZY	1	340433968	
7	THRESHING DRIVE	NAPĘD MŁOCARNI	1	340434247	
8	TRACTION DRIVE	NAPĘD JAZDY	1	340435100	X
9	GRAIN TRACTION DRIVE	NAPĘD PRZENOŚNIKA ZIARNA	1	340433241	
10	GRAIN UNLOADING	NAPĘD WYSYPU ZIARNA	1	340433233	
11	RETURN DRIVE	PRZEKŁADNIA ZMIANY KIERUNKU OBROTÓW	1	340433926	
12	GRAIN ELEVATOR DRIVE	NAPĘD PRZENOŚNIKA ZIARNOWEGO	1	340433272	
13	REEL	MOTOWIDŁO	1	340433441	
14			1	340433453	
15	FAN	NAPĘD WENTYLATORA	1	340433281	
16	CYLINDER DRIVE	NAPĘD BĘBNA MŁÓCĄCEGO	1	340433961	
17	DE-AWNER	NAPĘD ŻUBROWNIKA	1	340435100	X

X - not in standard offer / brak w standardowej ofercie



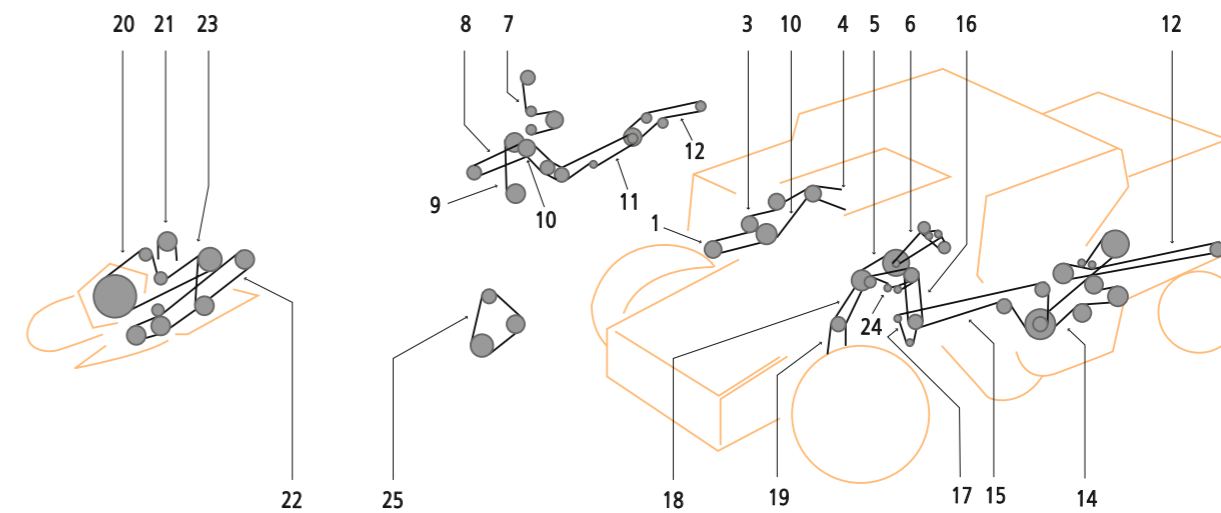
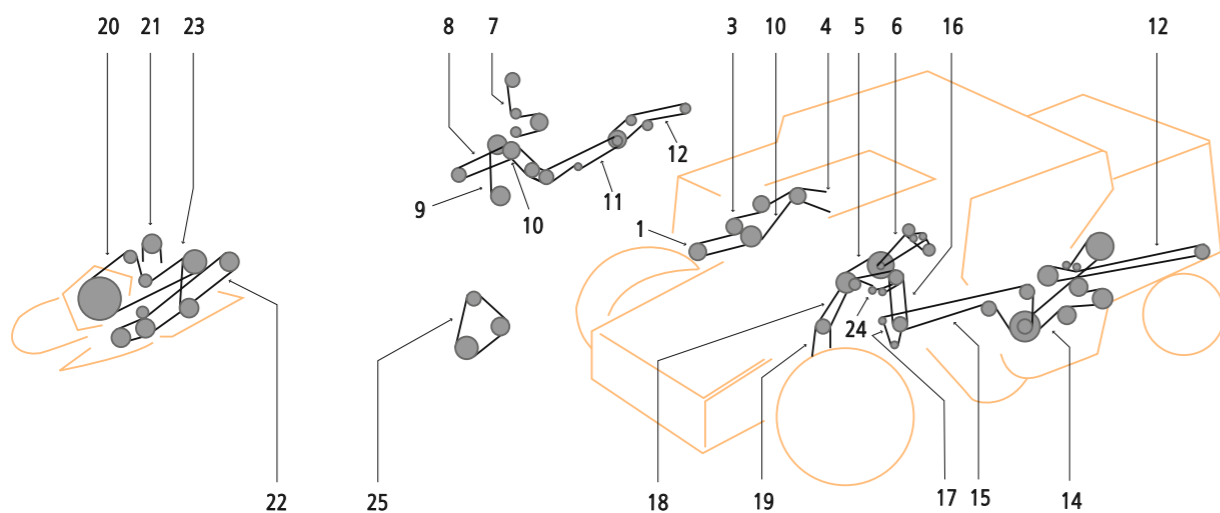
ITEM / POZYCJA	APPLICATION	OPIS	QUANTITY OF V-BELTS IN DRIVE / ILOŚĆ PASÓW W ZESPOLE	OE PART NUMBER / NUMER KATALOGOWY	COMMENT / UWAGI
1			1	S0615130	
2			1	S0615133	
3			1	S0619185	X
4			1	S0619185	X
5			1	S0614125	
7			1	S0619185	X
8			1	S0615150	
9			1	S0615140	
11			1	S0614147	
12			1	S0614131	
12			1	S0614225	
13			1	S0613116	
13			1	S0613124	
14			1	S0614152	
15			1	S0615121	

X - not in standard offer / brak w standardowej ofercie

ITEM / POZYCJA	APPLICATION	OPIS	QUANTITY OF V-BELTS IN DRIVE / ILOŚĆ PASÓW W ZESPOLE	OE PART NUMBER / NUMER KATALOGOWY	COMMENT / UWAGI
5			1	41958500	
9			1	41955900	
13			1	41935700	
14			1	41988700	
15			1	41926300	
16			1	41930300	

X - not in standard offer / brak w standardowej ofercie



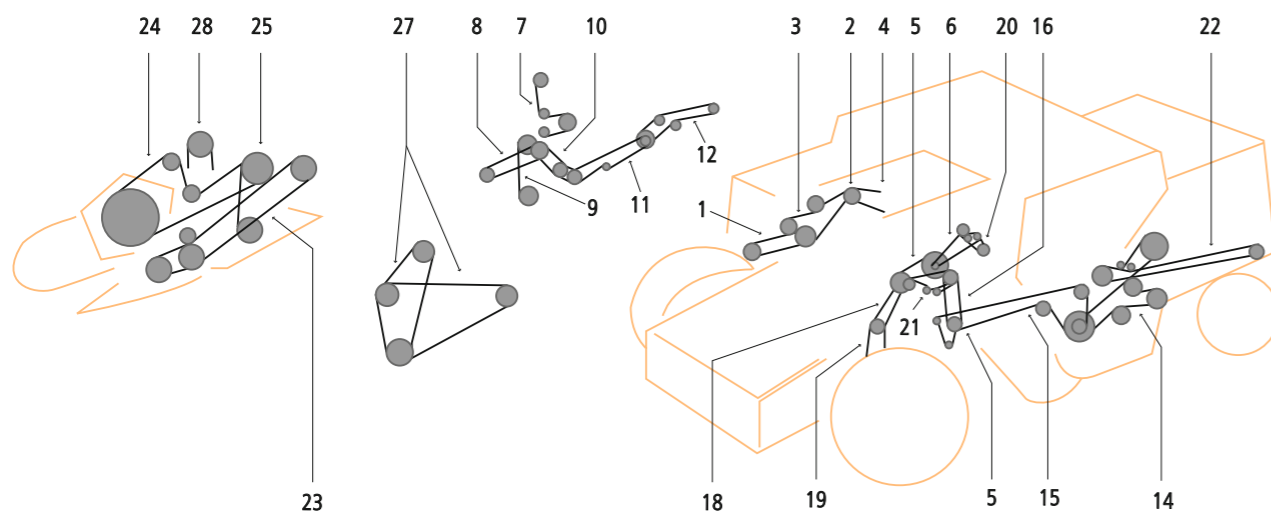


ITEM / POZYCJA	APPLICATION	OPIS	QUANTITY OF V-BELTS IN DRIVE / ILOŚĆ PASÓW W ZESPOLE	OE PART NUMBER / NUMER KATALOGOWY	COMMENT / UWAGI
1	TRACTION DRIVE	NAPĘD JAZDY	1	401109M1	X
1	TRACTION DRIVE	NAPĘD JAZDY	1	412333M1	X
2	TRACTION DRIVE	NAPĘD JAZDY	1	401110M1	X
3	HYDRAULIC PUMP	POMPA HYDRAULICZNA	1	402177M1	
3	HYDRAULIC PUMP	POMPA HYDRAULICZNA	1	403041M1	
4	STRAW WALKER	WYTRZAŚCZ	1	402603M1	
5	KNIFE DRIVE	NAPĘD KOSY	1	402607M1	
6	BEATER BEHIND CYLINDER	NAPĘD BĘBNA MŁÓCĄCEGO	1	402608M3	
7	KNIFE DRIVE UPPER	NAPĘD KOSY GÓRNY	1	412237M1	
8	FEEDER AUGER	NAPĘD PRZENOŚNIKA ZBOŻOWEGO	1	412399M1	
9	STRAW BALER	NAPĘD PRASY	1	328656M1	
10	FANNING MILL	WIALNIA	1	402604M1	
11	FANNING MILL UPPER	WIALNIA GÓRNY	1	402605M1	
12	TANK UNLOADING	NAPĘD ZESPOŁU WYŁADUNKU	1	412074M1	
13	FEEDER DRIVE	NAPĘD PRZENOŚNIKA POCHYLEGO	1	412236M1	

X - not in standard offer / brak w standardowej ofercie

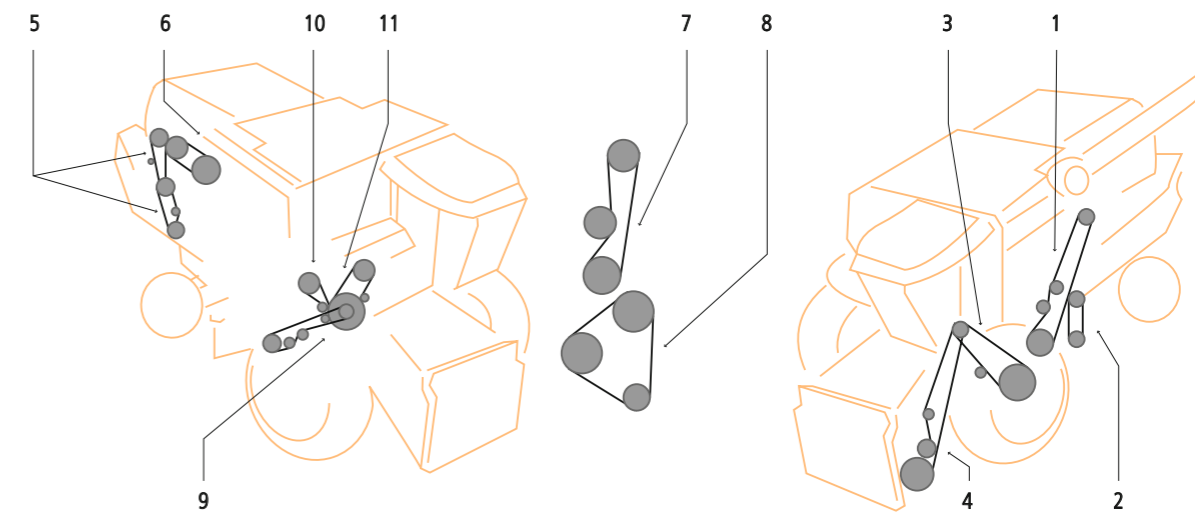
ITEM / POZYCJA	APPLICATION	OPIS	QUANTITY OF V-BELTS IN DRIVE / ILOŚĆ PASÓW W ZESPOLE	OE PART NUMBER / NUMER KATALOGOWY	COMMENT / UWAGI
1	TABLE FEEDER DRUM	BĘBEN WCIĄGAJĄCY	1	412236M1	
2	TANK UNLOADER	WYSYP ZBOŻA	1	412074M1	
3	FANNING MILL UPPER	WIALNIA GÓRNY	1	402605M1	
4	HYDRAULIC PUMP	POMPA HYDRAULICZNA	1	402177M1	
4	HYDRAULIC PUMP	POMPA HYDRAULICZNA	1	402604M1	
5	BEATER DRIVE	NAPĘD MŁOCARNI	1	402608M3	
5	BEATER DRIVE	NAPĘD MŁOCARNI	1	413122M2	
6	FANNING MILL	WIALNIA	1		
7	SHAKER. STRAW WALKER	WYTRZAŚCZ	1	402603M1	
8	TRACTION DRIVE - UPPER	NAPĘD JEZDNY GÓRNY	1	412333M1	X
8	TRACTION DRIVE - UPPER	NAPĘD JEZDNY GÓRNY	1	905921M1	X
9	TRACTION DRIVE - LOWER	NAPĘD JEZDNY DOLNY	1	401110M1	X
10	REDUCER	REDUKTOR	1	412237M1	
11	FRONT AUGER	PRZEDNI ŚLIMAK	1	412399M1	
12	KNIFE	KOSA	1	402607M1	
13	REEL	MOTOWIDŁO	1		
14	DRUM	NAPĘD MŁOCARNI	1		
15	FANNING MILL	WIALNIA	1	402604M1	

X - not in standard offer / brak w standardowej ofercie



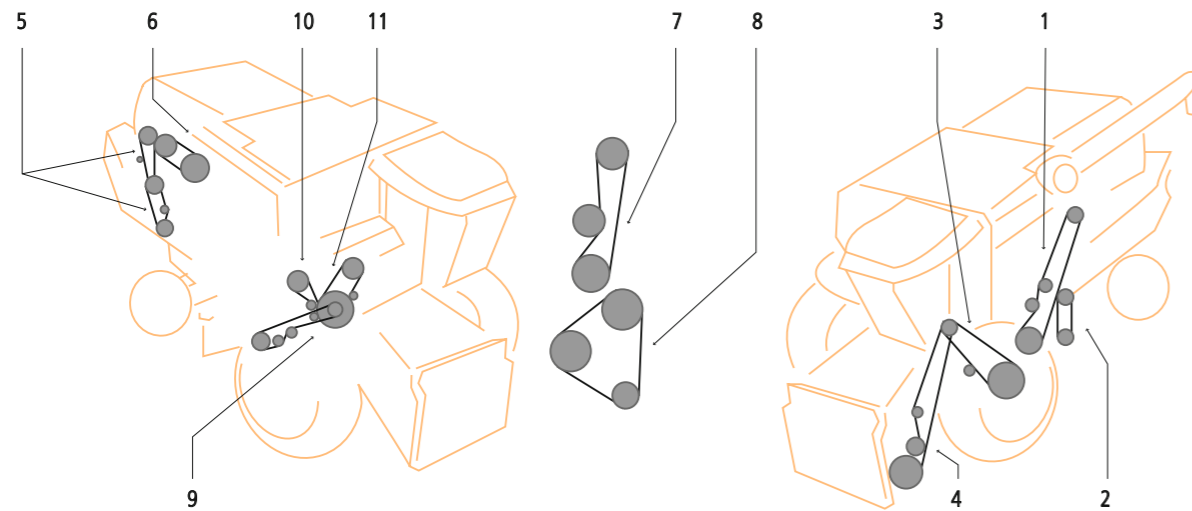
ITEM / POZYCJA	APPLICATION	OPIS	QUANTITY OF V-BELTS IN DRIVE / ILOŚĆ PASÓW W ZESPOLE	OE PART NUMBER / NUMER KATALOGOWY	COMMENT / UWAGI
1	TABLE FEEDER DRUM	BĘBEN WCIĄGAJĄCY	1	412236M1	
2	TANK UNLOADER	WYSYP ZBOŻA	1	412074M1	
3	FANNING MILL UPPER	WIALNIA GÓRNY	1	402605M1	
4	HYDRAULIC PUMP	POMPA HYDRAULICZNA	1	402177M1	
4	HYDRAULIC PUMP	POMPA HYDRAULICZNA	1	417468M1	
5	BEATER DRIVE	NAPĘD MŁOCARNI	1	402608M3	
6	FANNING MILL	WIALNIA	1		
7	SHAKER. STRAW WALKER	WYTRZĄSACZ	1	402603M1	
8	TRACTION DRIVE - UPPER	NAPĘD JEZDNY GÓRNY	1	905921M1	X
9	TRACTION DRIVE - LOWER	NAPĘD JEZDNY DOLNY	1	401110M1	X
10	REDUCER	REDUKTOR	1	412237M1	
11	FRONT AUGER	PRZEDNI ŚLIMAK	1	412399M1	
12	KNIFE	KOSA	1	402607M1	
13	REEL	MOTOWIDŁO	1		
14	DRUM	NAPĘD MŁOCARNI	1		
15	FANNING MILL	WIALNIA	1	621262M1	

X - not in standard offer / brak w standardowej ofercie



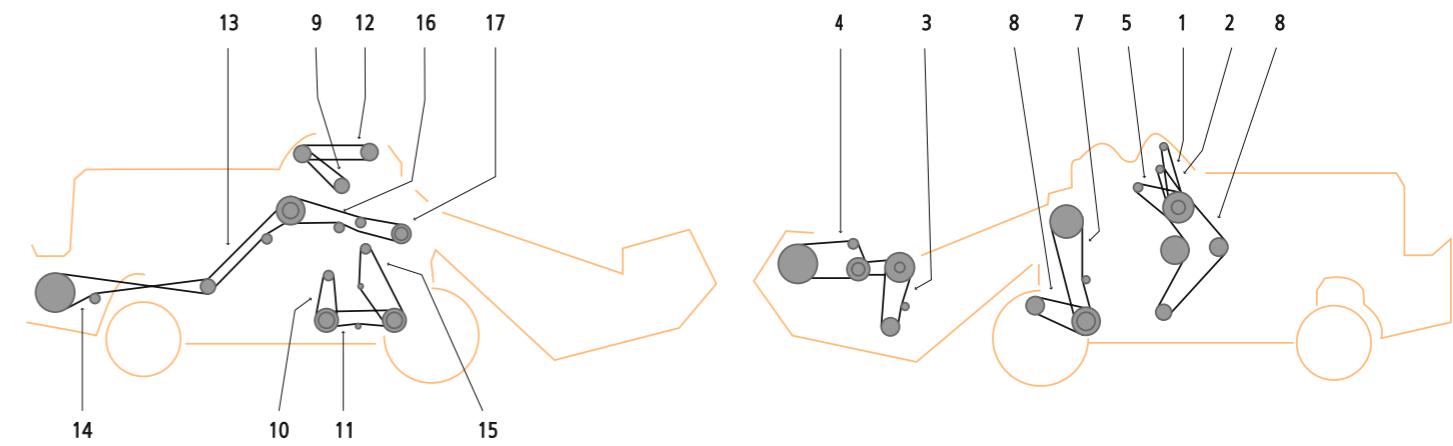
ITEM / POZYCJA	APPLICATION	OPIS	QUANTITY OF V-BELTS IN DRIVE / ILOŚĆ PASÓW W ZESPOLE	OE PART NUMBER / NUMER KATALOGOWY	COMMENT / UWAGI
1	TABLE FEEDER DRUM	BĘBEN WCIĄGAJĄCY	1	1724154M1	
1	TABLE FEEDER DRUM	BĘBEN WCIĄGAJĄCY	1	417974M1	
2	TANK UNLOADER	WYSYP ZBOŻA	1	621259M1	
3	FANNING MILL UPPER	WIALNIA GÓRNY	1	621261M1	
4	HYDRAULIC PUMP	POMPA HYDRAULICZNA	1	418900M1	
5	BEATER DRIVE	NAPĘD MŁOCARNI	1	418232M1	
6	FANNING MILL	WIALNIA	1		
7	SHAKER. STRAW WALKER	WYTRZĄSACZ	1	621258M1	
8	TRACTION DRIVE - UPPER	NAPĘD JEZDNY GÓRNY	1	905921M1	X
9	TRACTION DRIVE - LOWER	NAPĘD JEZDNY DOLNY	1	905920M1	X
10	REDUCER	REDUKTOR	1	417972M1	
11	FRONT AUGER	PRZEDNI ŚLIMAK	1	418209M1	
12	KNIFE	KOSA	1	1722835M1	
12	KNIFE	KOSA	1	402607M1	
13	REEL	MOTOWIDŁO	1		
14	REEL	MOTOWIDŁO	1		
15	FANNING MILL	WIALNIA	1	621262M1	

X - not in standard offer / brak w standardowej ofercie



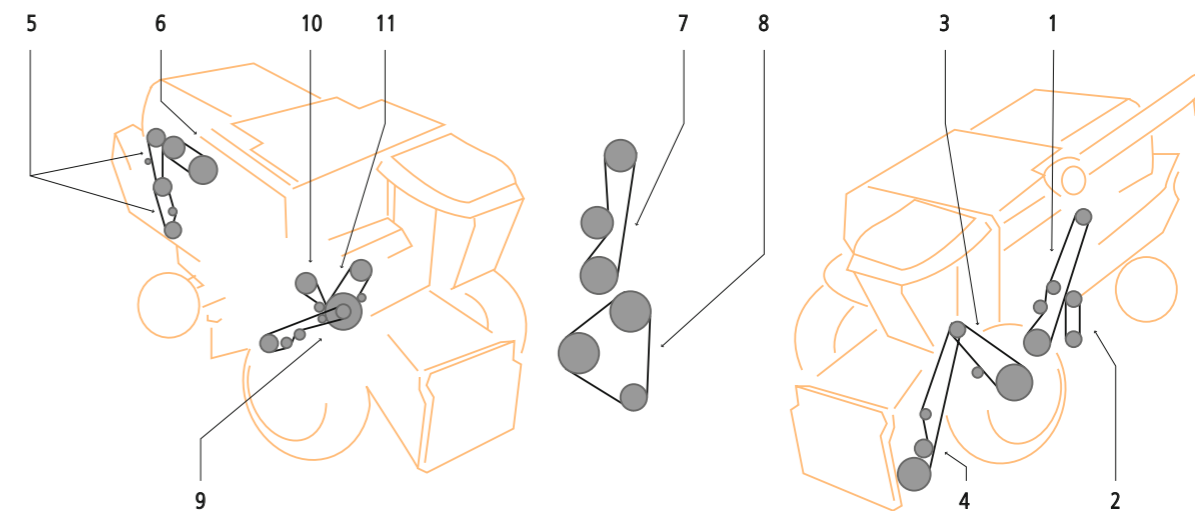
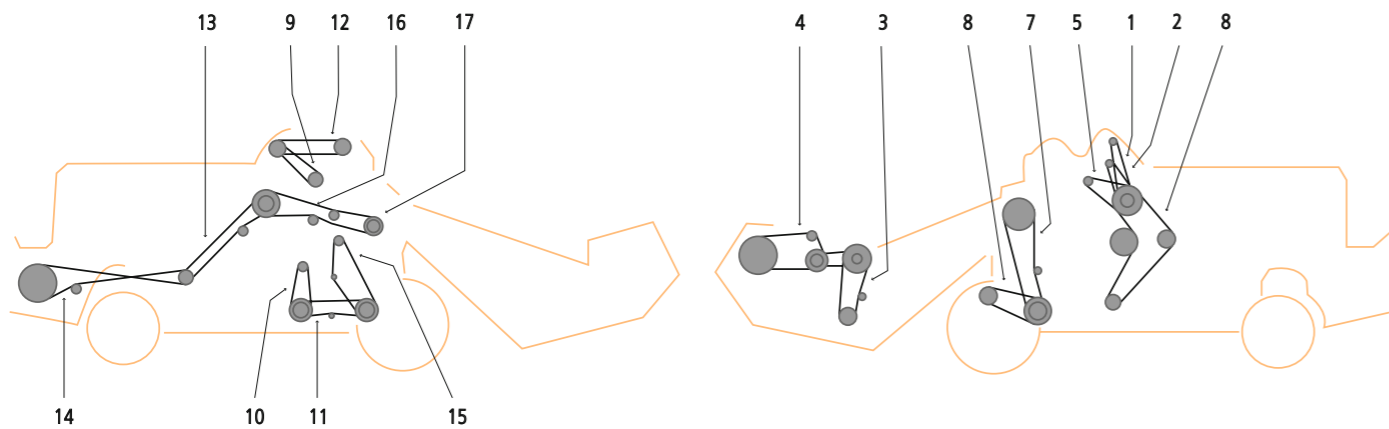
ITEM / POZYCJA	APPLICATION	OPIS	QUANTITY OF V-BELTS IN DRIVE / ILOŚĆ PASÓW W ZESPOLE	OE PART NUMBER / NUMER KATALOGOWY	COMMENT / UWAGI
0	RADIATOR FAN DRIVE	NAPĘD WENTYLATORA CHŁODNICY	1	893575M1	
1	SHAKER SHOE DRIVE	NAPĘD ZESPOŁU KOSZA SITOWEGO	1	417660M1	
2	REAR BEATER - FAN	TYLNI BĘBEN MŁÓCĄCY	1	417795M1	
3	FANNING MILL	WIALNIA	1	417797M1	
4	TRACTION DRIVE	NAPĘD JAZDY	1	401109M1	X
5	TRACTION DRIVE	NAPĘD JAZDY	1	417995M1	X
6	KNIFE DRIVE UPPER	NAPĘD KOSY GÓRNY	1	417972M1	
7	FEEDER DRIVE	NAPĘD PRZENOŚNIKA POCHYLEGO	1	1724154M1	
7	FEEDER DRIVE	NAPĘD PRZENOŚNIKA POCHYLEGO	1	417974M1	
8	KNIFE DRIVE	NAPĘD KOSY	1	402607M1	
9	FEEDER AUGER	NAPĘD PRZENOŚNIKA ZBOŻOWEGO	1	418209M1	
10	TANK UNLOADER	WYSYP ZBOŻA	1	621259M1	
11	BEATER BEHIND CYLINDER	NAPĘD BĘBNA MŁÓCĄCEGO	1	418232M1	
12	HYDRAULIC PUMP	POMPA HYDRAULICZNA	1	417468M1	
14	HYDRAULIC PUMP	POMPA HYDRAULICZNA	1	418900M1	

X - not in standard offer / brak w standardowej ofercie



ITEM / POZYCJA	APPLICATION	OPIS	QUANTITY OF V-BELTS IN DRIVE / ILOŚĆ PASÓW W ZESPOLE	OE PART NUMBER / NUMER KATALOGOWY	COMMENT / UWAGI
1	TABLE FEEDER DRUM	BĘBEN WCIĄGAJĄCY	1	1724154M1	
1	TABLE FEEDER DRUM	BĘBEN WCIĄGAJĄCY	1	417974M1	
2	TANK UNLOADER	WYSYP ZBOŻA	1	621259M1	
3	FANNING MILL UPPER	WIALNIA GÓRNY	1	621261M1	
4	HYDRAULIC PUMP	POMPA HYDRAULICZNA	1	417468M1	
4	HYDRAULIC PUMP	POMPA HYDRAULICZNA	1	418900M1	
5	BEATER / THRESHER CONTROL	NAPĘD BĘBNA MŁÓCĄCEGO	1	418232M1	
6	FANNING MILL	WIALNIA	1	1721710M1	
7	SHAKER. STRAW WALKER	WYTRZĄSACZ	1	621258M1	
8	TRACTION DRIVE - UPPER	NAPĘD JEZDNY GÓRNY	1	905921M1	X
9	TRACTION DRIVE - LOWER	NAPĘD JEZDNY DOLNY	1	905920M1	X
10	REDUCER	REDUKTOR	1	417972M1	
11	FRONT AUGER / FEEDER	PRZEDNI ŚLIMAK / PODAJNIK	1	418209M1	
12	KNIFE / BLADE CONTROL	KOSA	1	1722835M1	
12	KNIFE	KOSA	1	402607M1	
13	REEL	MOTOWIDŁO	1		
15	FANNING MILL	WIALNIA	1	621262M1	
16	VENTILATION	WENTYLATOR	1	621262M1	
17	DEFLECTOR DRUM	BĘBEN ODCHYLEJĄCY	1	417795M1	
18	CLEANING FAN DRIVE	NAPĘD WIALNI CZYSZCZĄCEJ	1	417660M1	
19	OUTLET	WYLOT	2	418192M1	
20	LOWER VARIATOR	DOLNY WARIATOR	1	417995M1	X
21	UPPER VARIATOR	GÓRNY WARIATOR	1	401109M1	X

X - not in standard offer / brak w standardowej ofercie

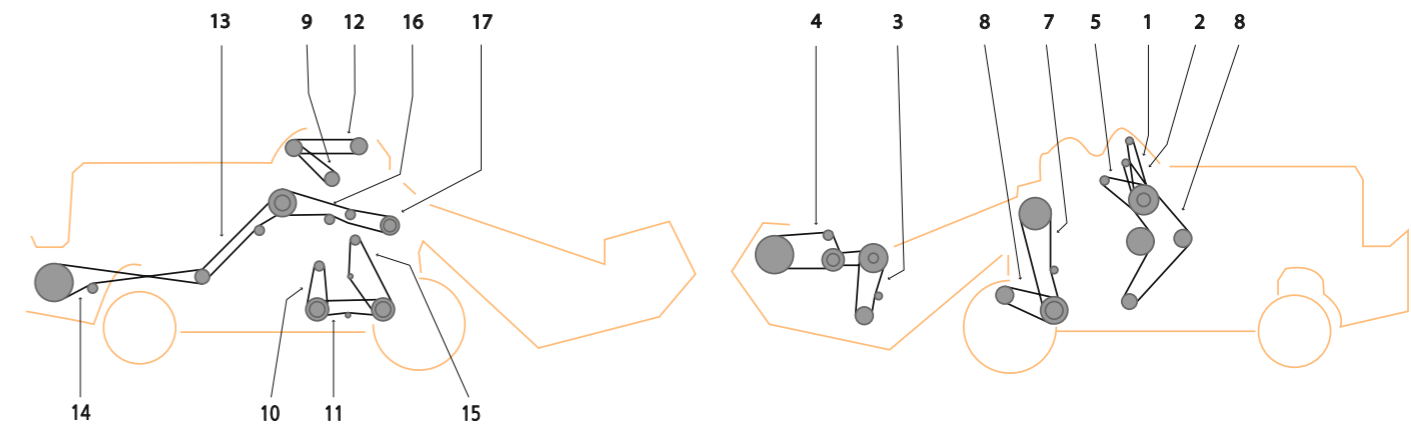
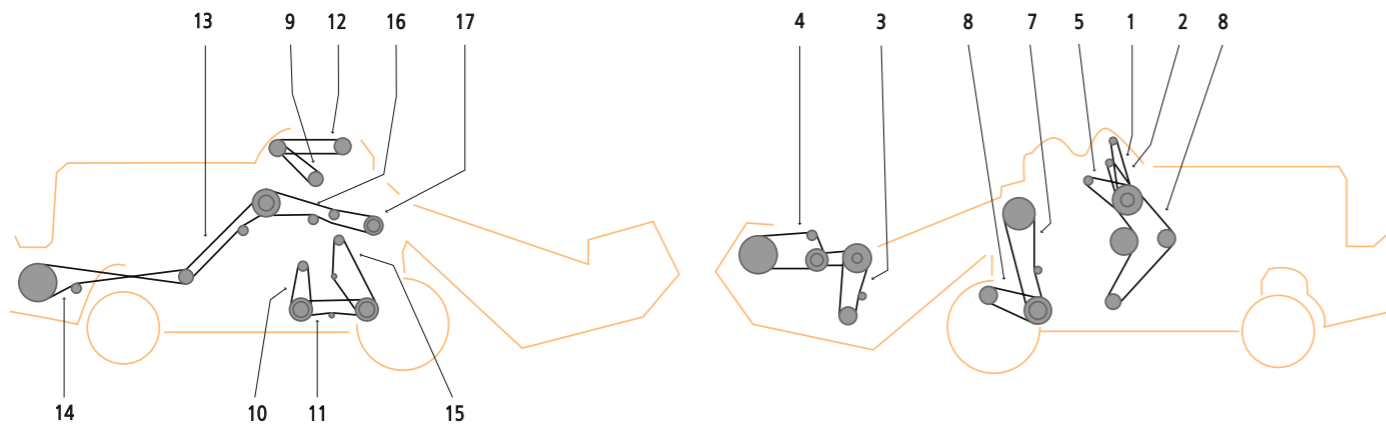


ITEM / POZYCJA	APPLICATION	OPIS	QUANTITY OF V-BELTS IN DRIVE / ILOŚĆ PASÓW W ZESPOLE	OE PART NUMBER / NUMER KATALOGOWY	COMMENT / UWAGI
1	TABLE FEEDER DRUM	BĘBEN WCIĄGAJĄCY	1	1724154M1	
2	TANK UNLOADER	WYSYP ZBOŻA	1	1604055M1	
3	FANNING MILL UPPER	WIALNIA GÓRNY	1	621261M1	
4	HYDRAULIC PUMP	POMPA HYDRAULICZNA	1	418900M1	
5	BEATER / THRESHER	NAPĘD BĘBNA MŁÓCĄCEGO	1	418232M1	
6	FANNING MILL / DEFLECTOR DRUM	WIALNIA / BĘBEN ODCHYLAJĄCY	1	1445437M1	
6	FANNING MILL	WIALNIA	1	1721710M1	
7	STRAW SHAKER	NAPĘD ZESPOŁU WYTRZĄSACZY	1	621258M1	
8	TRACTION DRIVE - UPPER	NAPĘD JEZDNY GÓRNY	1	905921M1	X
9	TRACTION DRIVE - LOWER	NAPĘD JEZDNY DOLNY	1	905920M1	X
10	REDUCER	REDUKTOR	1	417972M1	
11	FRONT AUGER	PRZEDNI ŚLIMAK	1	418209M1	
12	KNIFE / BLADE CONTROL	KOSA	1	1722835M1	
12	KNIFE	KOSA	1	402607M1	
13	FANNING MILL	WIALNIA	1	621262M1	
14	VENTILATOR II	WENTYLATOR	1	621262M1	
15	LOWER VARIATOR	DOLNY WARIATOR	1	417995M1	X
16	UPPER VARIATOR	GÓRNY WARIATOR	1	401109M1	X

X - not in standard offer / brak w standardowej ofercie

ITEM / POZYCJA	APPLICATION	OPIS	QUANTITY OF V-BELTS IN DRIVE / ILOŚĆ PASÓW W ZESPOLE	OE PART NUMBER / NUMER KATALOGOWY	COMMENT / UWAGI
1	SHAKER SHOE DRIVE	NAPĘD ZESPOŁU KOSZA SITOWEGO	1	621258M1	
2	REAR BEATER - FAN	TYLNI BĘBEN MŁÓCĄCY	1	621261M1	
3	FANNING MILL	WIALNIA	1	621262M1	
4	VARI-SPEED DRIVE	NAPĘD WARIATOROWY	1	905920M1	X
5	VARI-SPEED DRIVE	NAPĘD WARIATOROWY	1	905921M1	X
6	KNIFE DRIVE UPPER	NAPĘD KOSY GÓRNY	1	417972M1	
7	FEEDER DRIVE	NAPĘD PRZENOŚNIKA POCHYLEGO	1	1724154M1	
8	KNIFE DRIVE	NAPĘD KOSY	1	402607M1	
9	KNIFE DRIVE	NAPĘD KOSY	1	1722835M1	
10	TANK UNLOADING	NAPĘD ZESPOŁU WYŁADUNKU	1	1604055M1	
11	REAR BEATER	TYLNI BĘBEN MŁÓCĄCY	1	418232M1	
13	HYDRAULIC PUMP	POMPA HYDRAULICZNA	1	418900M1	
14	REAR BEATER CLEANING	TYLNI BĘBEN MŁÓCĄCY	1	1445437M1	

X - not in standard offer / brak w standardowej ofercie



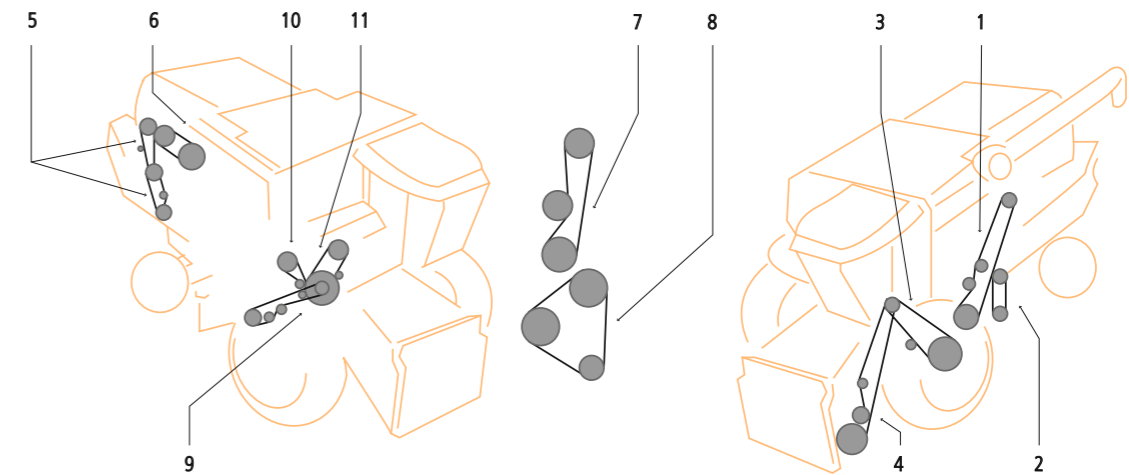
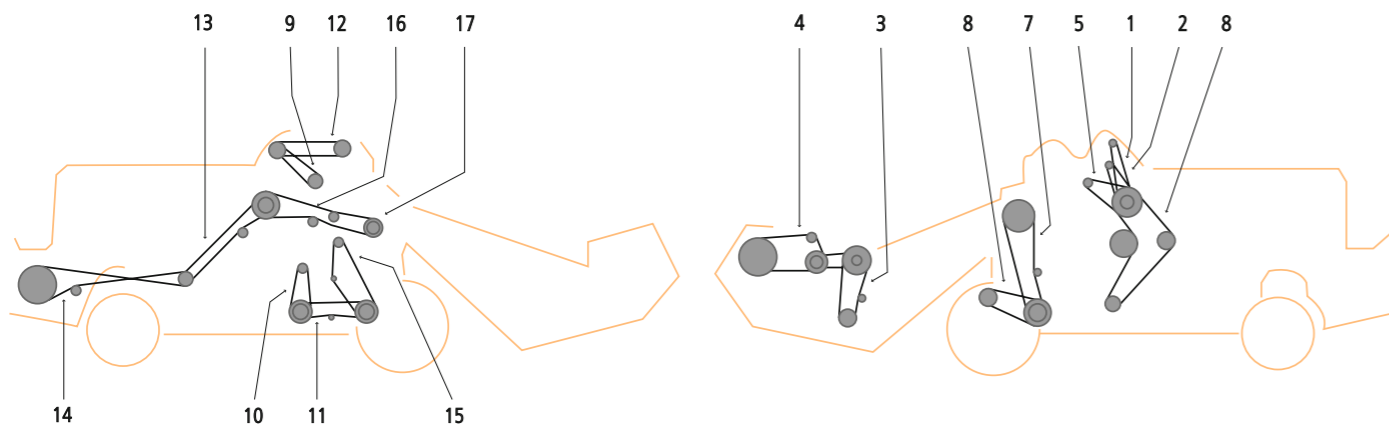
ITEM / POZYCJA	APPLICATION	OPIS	QUANTITY OF V-BELTS IN DRIVE / ILOŚĆ PASÓW W ZESPOLE	OE PART NUMBER / NUMER KATALOGOWY	COMMENT / UWAGI
1	TABLE FEEDER DRUM	BĘBEN WCIĄGAJĄCY	1	1724154M1	
2	TANK UNLOADER	WYSYP ZBOŻA	1	1604055M1	
3	FANNING MILL UPPER	WIALNIA GÓRNY	1	621261M1	
4	HYDRAULIC PUMP	POMPA HYDRAULICZNA	1		
5	BEATER DRIVE	NAPĘD MŁOCARNI	1	418232M1	
6	FANNING MILL	WIALNIA	1		
7	SHAKER. STRAW WALKER	WYTRZĄSACZ	1	621258M1	
8	TRACTION DRIVE - UPPER	NAPĘD JEZDNY GÓRNY	1	905921M1	X
9	TRACTION DRIVE - LOWER	NAPĘD JEZDNY DOLNY	1	905920M1	X
10	REDUCER	REDUKTOR	1	417972M1	
10	REDUCER	REDUKTOR	1	916833M1	X
11	FRONT AUGER	PRZEDNI ŚLIMAK	1	418209M1	
12	KNIFE	KOSA	1	1722835M1	
12	KNIFE	KOSA	1	402607M1	
12	KNIFE	KOSA	1	410959M1	
13	REEL	MOTOWIDŁO	1	1604401M1	
15	FANNING MILL	WIALNIA	1	621262M1	

X - not in standard offer / brak w standardowej ofercie

ITEM / POZYCJA	APPLICATION	OPIS	QUANTITY OF V-BELTS IN DRIVE / ILOŚĆ PASÓW W ZESPOLE	OE PART NUMBER / NUMER KATALOGOWY	COMMENT / UWAGI
0	COUNTERSHAFT. STRAW CHOPPER	NAPĘD ROZDRABNIACZA SŁOMY	1	1033078M1	
0	GRAIN AUGER	NAPĘD PRZENOŚNIKA ŚLIMAKOWEGO	1	227984M1	
0	CLEAN FAN HIGH SPEED	NAPĘD WIALNI	1	834492M2	
1	AUXILIARY CYLINDER	BĘBEN POMOCNICZY	1	832822M1	
2	CLEANING FAN	NAPĘD WIALNI	1	832877M1	
3	CYLINDER DRIVE	NAPĘD BĘBNA MŁÓCĄCEGO	1	832873M1	X
4	GENERATOR AND WATER PUMP. DIESEL	NAPĘD WENTYLATORA I GENERATORA	1	236959M1	
5	REEL	MOTOWIDŁO	1	832872M1	
5	REEL VARIATOR	NAPĘD MOTOWIDŁA	1	833768M1	X
5	REEL	MOTOWIDŁO	1	834140M1	
6	GRAIN AND RETURN AUGER	NAPĘD PRZENOŚNIKA ŚLIMAKOWEGO	1	832866M2	
7	HYDRAULIC PUMP	POMPA HYDRAULICZNA	1	230381M1	
8	KNIFE	KOSA	1	832869M1	
8	KNIFE	KOSA	1	834058M1	
8	KNIFE	KOSA	1	834190M1	
9	CLEANING FAN. LOWER	WIALNIA DOLNY	1	832876M1	
9	CLEANING FAN. RH GRASS SEED	NAPĘD WIALNI	1	GH5047	
10	TRACTION LOWER. GRAIN	NAPĘD JEZDNY DOLNY	1	832789M3	X
10	TRACTION LOWER. RICE	NAPĘD JEZDNY DOLNY	1	832965M1	X
11	RADIATOR FAN. GAS	NAPĘD WENTYLATORA	1	236670M1	
11	RADIATOR FAN. DIESEL	NAPĘD WENTYLATORA	1	236958M1	
12	REEL COUNTERSHAFT	MOTOWIDŁO	1	834139M1	
13	ROTARY SCREEN COUNTERSHAFT. GAS	NAPĘD ZESPOŁU ROTORA KOSZA CHŁODNICY	1	832895M2	X
14	ROTARY SCREEN COUNTERSHAFT. DIESEL	NAPĘD ZESPOŁU ROTORA KOSZA CHŁODNICY	1	832896M1	
15	ROTARY SCREEN HYDRAULIC PUMP. GAS	KOSZ CHŁODNICY - POMPA	1	832867M1	X
16	STRAW WALKER	WYTRZĄSACZ	1	832867M1	X
17	TABLE. PLATFORM		1	228147M91	
17	TABLE. PLATFORM		1	832870M1	
18	TANK UNLOADER	WYSYP ZBOŻA	1	832878M1	
19	TRACTION DRIVE - UPPER	NAPĘD JEZDNY GÓRNY	1	832790M3	X
20	STRAW SPREADER	ROZTRZĄSACZ	1	832855M1	

X - not in standard offer / brak w standardowej ofercie



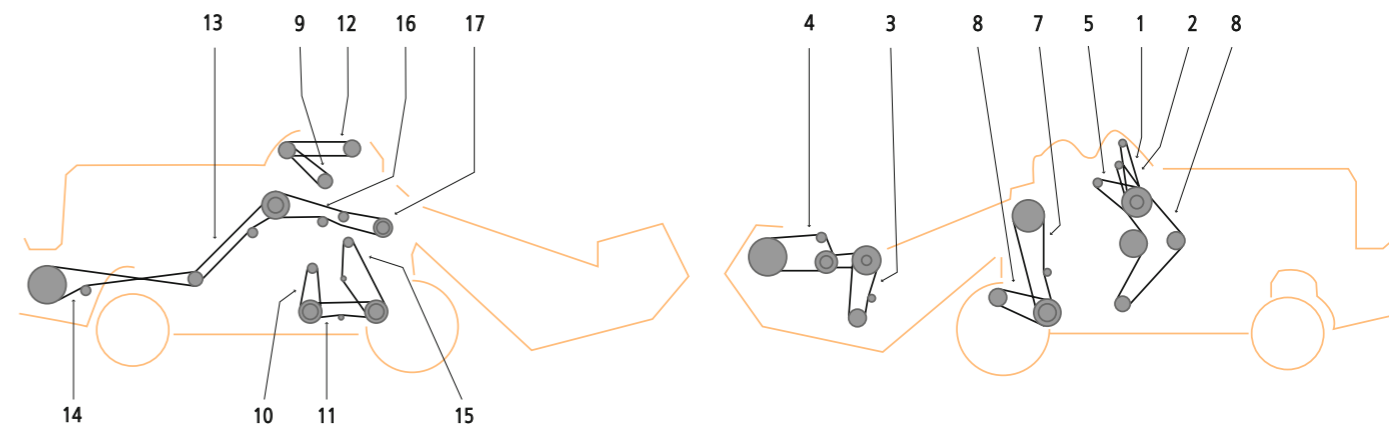
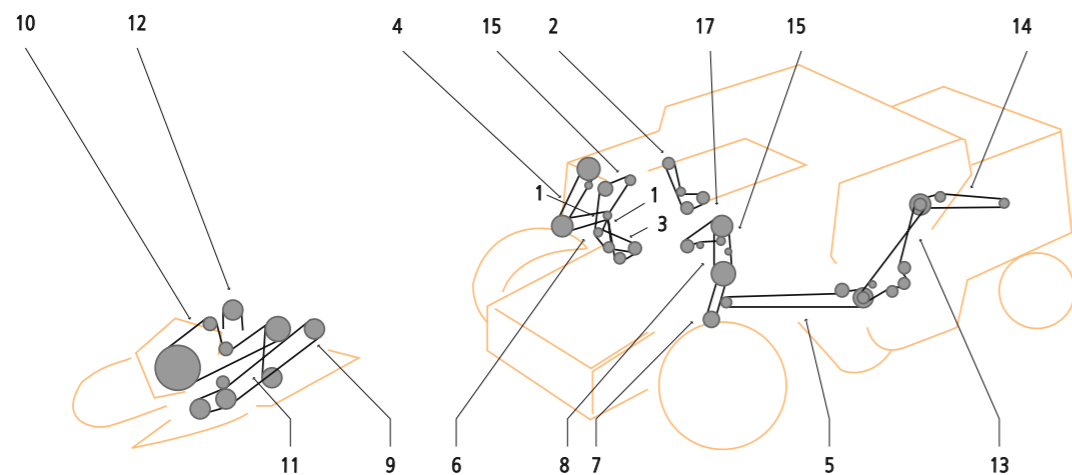


ITEM / POZYCJA	APPLICATION	OPIS	QUANTITY OF V-BELTS IN DRIVE / ILOŚĆ PASÓW W ZESPOLE	OE PART NUMBER / NUMER KATALOGOWY	COMMENT / UWAGI
0	REDUCER FROM 10 FT. / BAR	REDUKTOR	1	916833M1	X
1	TABLE FEEDER DRUM	BĘBEN WCIĄGAJĄCY	1	1724154M1	
2	TANK UNLOADER	WYSYP ZBOŻA	1	1604055M1	
3	FANNING MILL UPPER	WIALNIA GÓRNY	1	621261M1	
4	HYDRAULIC PUMP	POMPA HYDRAULICZNA	1	1720674M1	
5	BEATER / THRESHER	NAPĘD BĘBNA MŁÓCĄCEGO	1	1603701M1	
5	BEATER / THRESHER	NAPĘD BĘBNA MŁÓCĄCEGO	1	1720255M1	
6	FANNING MILL / VARIATOR	WIALNIA	1	621262M1	
7	SHAKER. STRAW WALKER	WYTRZĄSACZ	1	621258M1	
8	TRACTION DRIVE - LOWER	NAPĘD JEZDNY DOLNY	1	905921M1	X
9	TRACTION DRIVE - UPPER	NAPĘD JEZDNY GÓRNY	1	905920M1	X
10	CONTROL REDUCER UP TO 8.5 FT. / BAR	REDUKTOR	1	417972M1	
11	CONTROL FRONT AUGER	NAPĘD PRZENOŚNIKA ŚLIMAKOWEGO	1	418209M1	
12	KNIFE WOBBLE DRIVE	KOSA	1	1722835M1	
12	KNIFE UP TO 8.5 FT. (2.5 M)	KOSA	1	402607M1	
12	KNIFE FROM 10 FT. (2.2 M)	KOSA	1	410959M1	
13	REEL	MOTOWIDŁO	1	1604401M1	
15	FANNING MILL	WIALNIA	1	621262M1	
16	OUTLET	WYLOT	1	905980M1	
17	REEL VARIATOR	NAPĘD MOTOWIDŁA	1	916854	X
18	TRACTION DRIVE - LOWER	NAPĘD JEZDNY DOLNY	1	417995	X
19	TRACTION DRIVE - UPPER	NAPĘD JEZDNY GÓRNY	1	401109	X

X - not in standard offer / brak w standardowej ofercie

ITEM / POZYCJA	APPLICATION	OPIS	QUANTITY OF V-BELTS IN DRIVE / ILOŚĆ PASÓW W ZESPOLE	OE PART NUMBER / NUMER KATALOGOWY	COMMENT / UWAGI
1	REEL DRIVE	NAPĘD MOTOWIDŁA	1	916833M1	X
2	KNIFE DRIVE UPPER	NAPĘD KOSY GÓRNY	1	417972M1	
3	TRACTION VARI-DRIVE	NAPĘD JAZDY	1	905920M1	X
5	SHAKER SHOE DRIVE	NAPĘD ZESPOŁU KOSZA SITOWEGO	1	621258M1	
6	TRACTION VARI-DRIVE	NAPĘD JAZDY	1	905921M1	X
7	KNIFE DRIVE	NAPĘD KOSY	1	1722835M1	
7	KNIFE DRIVE	NAPĘD KOSY	1	402607M1	
8	HYDRAULIC PUMP	POMPA HYDRAULICZNA	1	1720647M1	
9	REAR BEATER - FAN	TYLNI BĘBEN MŁÓCĄCY	1	621261M1	
10	TANK UNLOADER	WYSYP ZBOŻA	1	1604055M1	
11	FEEDER DRIVE	NAPĘD PRZENOŚNIKA POCHYLEGO	1	1724154M1	
12	FAN CLEANING	NAPĘD WIALNI	1	621262M1	
14	REAR BEATER	TYLNI BĘBEN MŁÓCĄCY	1	418232M1	

X - not in standard offer / brak w standardowej ofercie

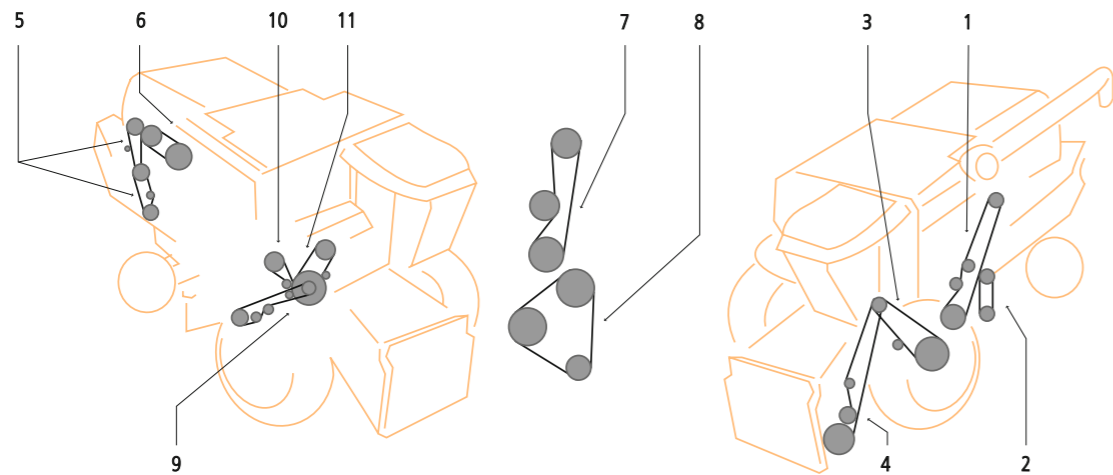


ITEM / POZYCJA	APPLICATION	OPIS	QUANTITY OF V-BELTS IN DRIVE / ILOŚĆ PASÓW W ZESPOLE	OE PART NUMBER / NUMER KATALOGOWY	COMMENT / UWAGI
1	USED WITH THE A6.358 ENGINE		1	3098153M1	
1	USED WITH THE A6.354.4 ENGINE		1	3099829M1	
7	FOR USE WITH CORN HARVEST ONLY		1	3319791M1	
11	USED WITH THE A6.358 ENGINE		1	1480826M1	
11	USED WITH THE A6.354.4 ENGINE		1	2834466M1	
19	USED WITH THE A6.354.4 ENGINE		1	3145238M1	
19	USED WITH THE A6.358 ENGINE		1	487802M2	

X - not in standard offer / brak w standardowej ofercie

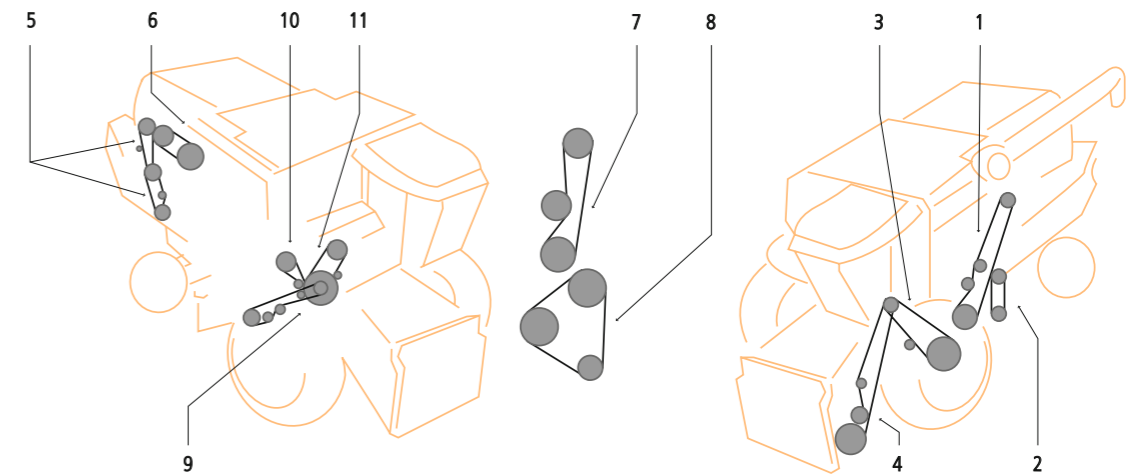
ITEM / POZYCJA	APPLICATION	OPIS	QUANTITY OF V-BELTS IN DRIVE / ILOŚĆ PASÓW W ZESPOLE	OE PART NUMBER / NUMER KATALOGOWY	COMMENT / UWAGI
1	FANNING MILL	WIALNIA	1	784797M2	
2	TANK UNLOADER	WYSYP ZBOŻA	1	228813M1	
3	FANNING MILL UPPER	WIALNIA GÓRNY	1	1855008M1	
5	HYDRAULIC PUMP	POMPA HYDRAULICZNA	1	832490M1	
6	GENERATOR	NAPĘD GENERATORA	1	893575M1	
7	DRIVE	NAPĘD	1	793863M1	X
8	MAIN BELT	PAS GŁÓWNY	1	793861M1	X
9	MULTI FLOW		1		
10	RETURNS	ELEWATOR KŁOSOWY	1	795514M4	
10	RETURNS	ELEWATOR KŁOSOWY	1	832538M1	
11	SHAKER DRIVE	NAPĘD WYTRZĄSACZY POPRZECZNYCH	1	1615254M1	
11	SHAKER DRIVE	NAPĘD WYTRZĄSACZY POPRZECZNYCH	1	320593M2	
12	GRAIN ELEVATOR	NAPĘD PRZENOŚNIKA ZBOŻOWEGO	1	784796M2	
15	REDUCER	REDUKTOR	1	603719M1	
15	REDUCER	REDUKTOR	1	785806M2	
15	REDUCER	REDUKTOR	1	789853M1	
16	KNIFE	KOSA	1	785585M1	
17	REEL	MOTOWIDŁO	1	1615333M1	
17	REEL	MOTOWIDŁO	1	785810M1	
17	REEL	MOTOWIDŁO	1	790839M1	

X - not in standard offer / brak w standardowej ofercie



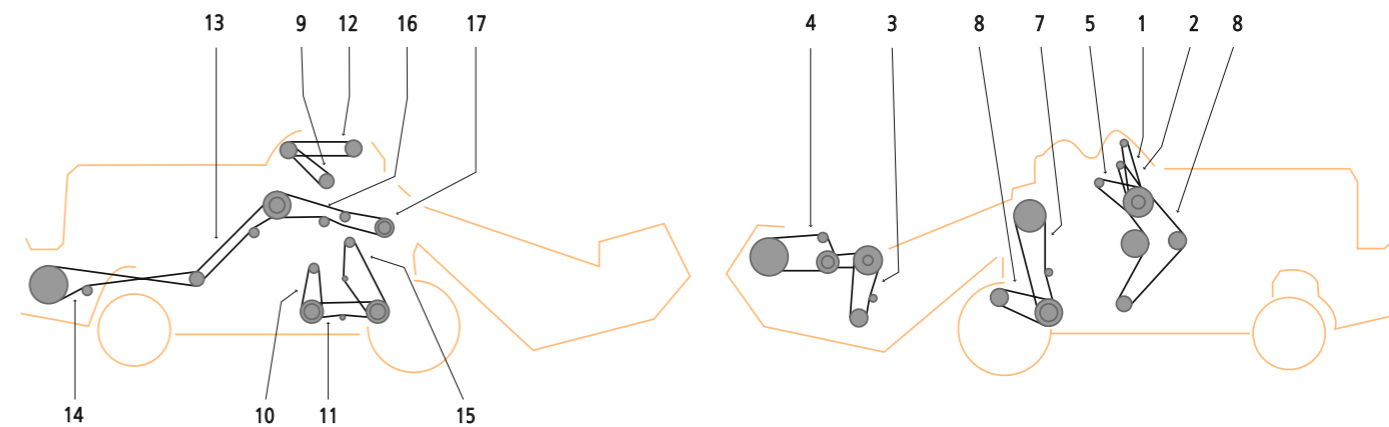
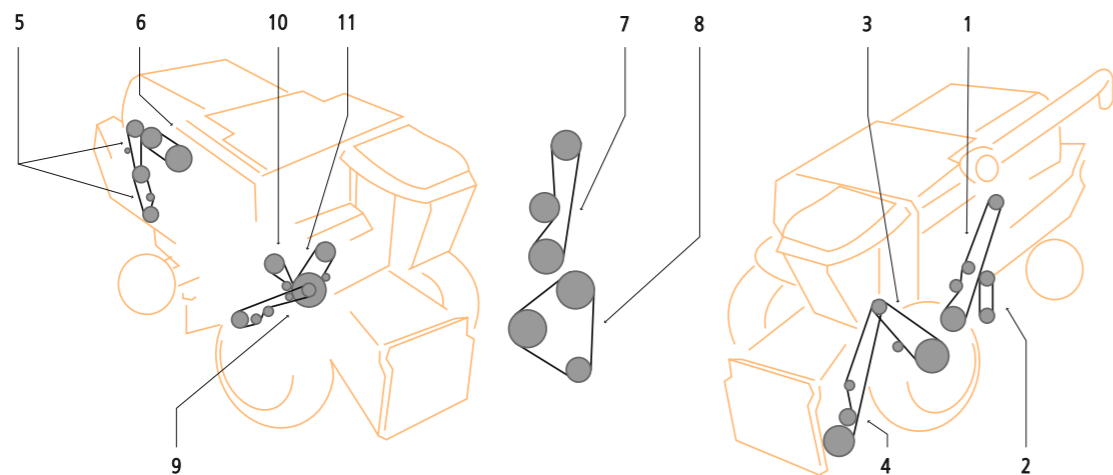
ITEM / POZYCJA	APPLICATION	OPIS	QUANTITY OF V-BELTS IN DRIVE / ILOŚĆ PASÓW W ZESPOLE	OE PART NUMBER / NUMER KATALOGOWY	COMMENT / UWAGI
2	COUNTERSHAFT REEL DRIVE	MOTOWIDŁO	1	1855008M1	
3	GRAIN AUGER	NAPĘD PRZENOŚNIKA ŚLIMAKOWEGO	1	784796M1	
4	MAIN DRIVE	NAPĘD GŁÓWNY	1	793861M1	X
5	REAR BEATER	TYLNI BĘBEN MŁÓCĄCY	1	793863M1	X
6	REEL DRIVE	NAPĘD MOTOWIDŁA	1	785810M1	
6	REEL DRIVE	NAPĘD MOTOWIDŁA	1	790839M1	
7	REEL VARIATOR	NAPĘD MOTOWIDŁA	1	785806M1	
7	REEL VARIATOR	NAPĘD MOTOWIDŁA	1	790833M1	
8	RETURNS ELEVATOR	ELEWATOR KŁOSOWY	1	228999M1	
8	RETURNS ELEVATOR	ELEWATOR KŁOSOWY	1	832538M1	
9	RADIATOR AIR INTAKE	NAPĘD WENTYLATORA CHŁODNICY	1	228722M1	
10	STRAW WALKER	WYTRZĄSACZ	1	1615254M1	
10	STRAW WALKER	WYTRZĄSACZ	1	227986M1	
10	STRAW WALKER	WYTRZĄSACZ	1	320593M2	
12	TANK UNLOADER	WYSYP ZBOŻA	1	228813M1	
14	FANNING MILL	WIALNIA	1	784797M1	
15	HYDRAULIC PUMP	POMPA HYDRAULICZNA	1	230350M1	
15	HYDRAULIC PUMP	POMPA HYDRAULICZNA	1	832490M1	
16	RADIATOR FAN	NAPĘD WENTYLATORA CHŁODNICY	1	233950M1	

X - not in standard offer / brak w standardowej ofercie



ITEM / POZYCJA	APPLICATION	OPIS	QUANTITY OF V-BELTS IN DRIVE / ILOŚĆ PASÓW W ZESPOLE	OE PART NUMBER / NUMER KATALOGOWY	COMMENT / UWAGI
1	FANNING MILL	WIALNIA	1	784797M2	
2	TANK UNLOADER	WYSYP ZBOŻA	1	228813M1	
3	FANNING MILL UPPER	WIALNIA GÓRNY	1	1855008M1	
5	HYDRAULIC PUMP	POMPA HYDRAULICZNA	1	832490M1	
6	GENERATOR	NAPĘD GENERATORA	1	893575M1	
7	DRIVE	NAPĘD	1	793863M1	X
8	MAIN BELT	PAS GŁÓWNY	1	793861M1	X
9	MULTI FLOW		1	785676M2	
10	RETURNS	ELEWATOR KŁOSOWY	1	795514M4	
10	RETURNS	ELEWATOR KŁOSOWY	1	795582M2	
11	SHAKER DRIVE	NAPĘD WYTRZĄSACZY POPRZECZNYCH	1	1615254M1	
12	GRAIN ELEVATOR	NAPĘD PRZENOŚNIKA ZBOŻOWEGO	1	784796M2	
15	REDUCER	REDUKTOR	1	603719M1	
16	KNIFE	KOSA	1	785585M3	
17	REEL	MOTOWIDŁO	1	1615254M1	
17	REEL	MOTOWIDŁO	1	1615333M1	

X - not in standard offer / brak w standardowej ofercie

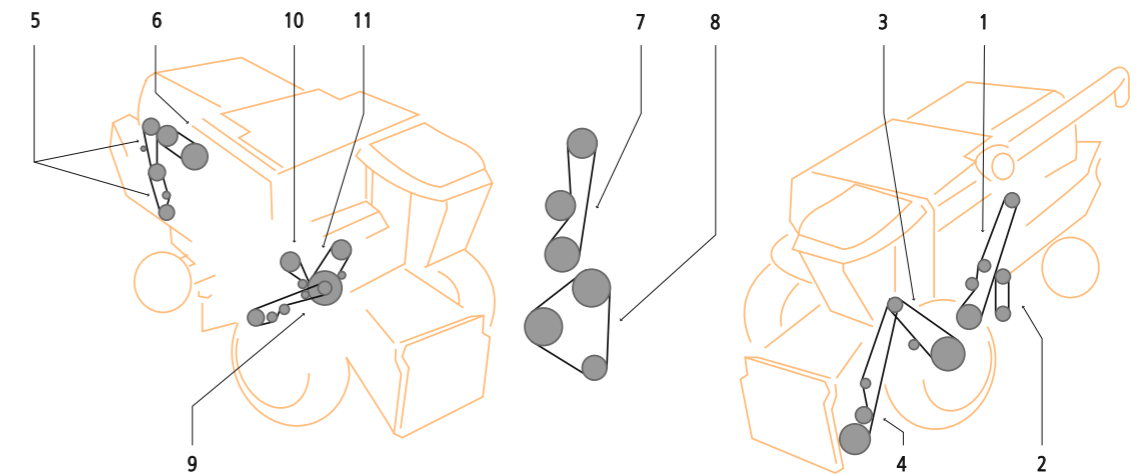
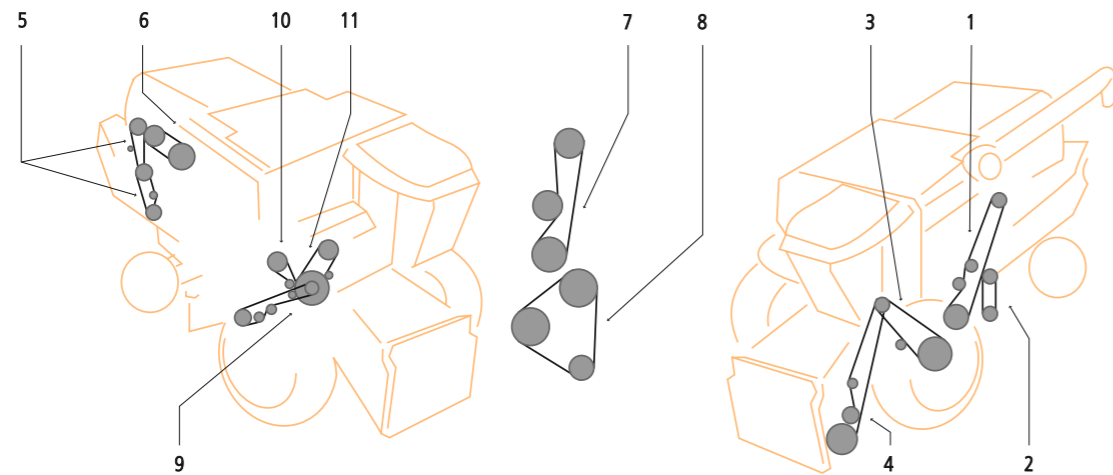


ITEM / POZYCJA	APPLICATION	OPIS	QUANTITY OF V-BELTS IN DRIVE / ILOŚĆ PASÓW W ZESPOLE	OE PART NUMBER / NUMER KATALOGOWY	COMMENT / UWAGI
2	COUNTERSHAFT REEL DRIVE	MOTOWIDŁO	1	1855008M1	
3	GRAIN AUGER	NAPĘD PRZENOŚNIKA ŚLIMAKOWEGO	1	784796M1	
4	MAIN DRIVE	NAPĘD GŁÓWNY	1	793862M1	X
5	REAR BEATER	TYLNI BĘBEN MŁÓCĄCY	1	793863M1	X
6	REEL DRIVE	NAPĘD MOTOWIDŁA	1	1615333M1	
6	REEL DRIVE	NAPĘD MOTOWIDŁA	1	790839M1	
7	REEL VARIATOR	NAPĘD MOTOWIDŁA	1	785806M1	
7	REEL VARIATOR	NAPĘD MOTOWIDŁA	1	790833M1	
8	RETURNS ELEVATOR	ELEWATOR KŁOSOWY	1	795514M4	
8	RETURNS ELEVATOR	ELEWATOR KŁOSOWY	1	795582M1	
9	RADIATOR AIR INTAKE	NAPĘD WENTYLATORA CHŁODNICY	1	228722M1	
10	STRAW WALKER	WYTRZĄSACZ	1	1615254M1	
12	TANK UNLOADER	WYSYP ZBOŻA	1	228813M1	
14	FANNING MILL	WIALNIA	1	784797M1	
15	HYDRAULIC PUMP	POMPA HYDRAULICZNA	1	230350M1	
15	HYDRAULIC PUMP	POMPA HYDRAULICZNA	1	832490M1	
16	RADIATOR FAN	NAPĘD WENTYLATORA CHŁODNICY	1	233950M1	
17	KNIFE DRIVE	NAPĘD KOSY	1	785585M3	
18	MULTI FLOW		1	785676M2	

X - not in standard offer / brak w standardowej ofercie

ITEM / POZYCJA	APPLICATION	OPIS	QUANTITY OF V-BELTS IN DRIVE / ILOŚĆ PASÓW W ZESPOLE	OE PART NUMBER / NUMER KATALOGOWY	COMMENT / UWAGI
1	TABLE FEEDER DRUM	BĘBEN WCIĄGAJĄCY	1	621588M1	
2	TANK UNLOADER	WYSYP ZBOŻA	1	1604055M1	
3	FANNING MILL UPPER	WIALNIA GÓRNY	1	621261M1	
4	HYDRAULIC PUMP	POMPA HYDRAULICZNA	1		
5	BEATER DRIVE	NAPĘD MŁOCARNI	1	1720255M1	
6	FANNING MILL	WIALNIA	1		
7	SHAKER. STRAW WALKER	WYTRZĄSACZ	1	612258M1	
8	TRACTION DRIVE - UPPER	NAPĘD JEZDNY GÓRNY	1	905921M1	X
9	TRACTION DRIVE - LOWER	NAPĘD JEZDNY DOLNY	1	905920M1	X
10	REDUCER	REDUKTOR	1	916833M1	X
11	FRONT AUGER	PRZEDNI ŚLIMAK	1		
12	KNIFE	KOSA	1	410959M1	
13	REEL	MOTOWIDŁO	1	1604401M1	
15	FANNING MILL	WIALNIA	1	621262M1	

X - not in standard offer / brak w standardowej ofercie



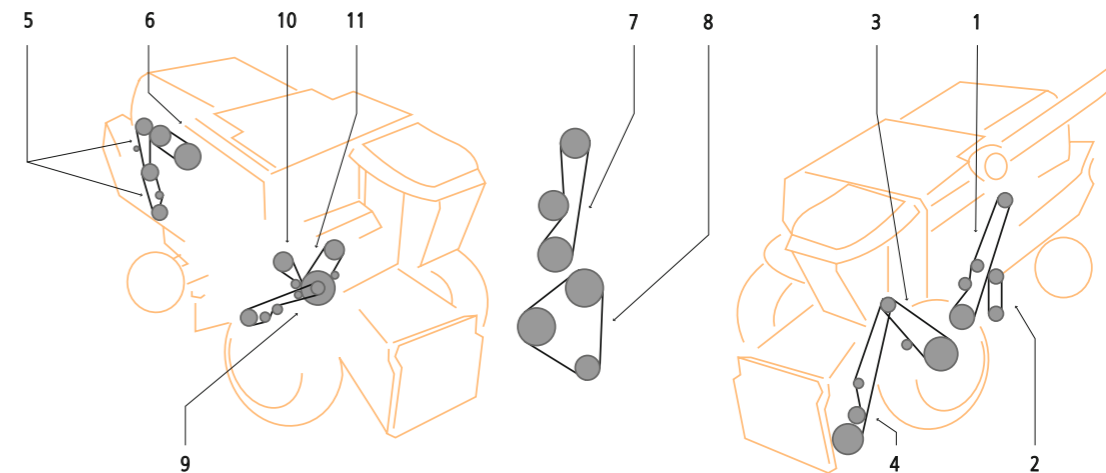
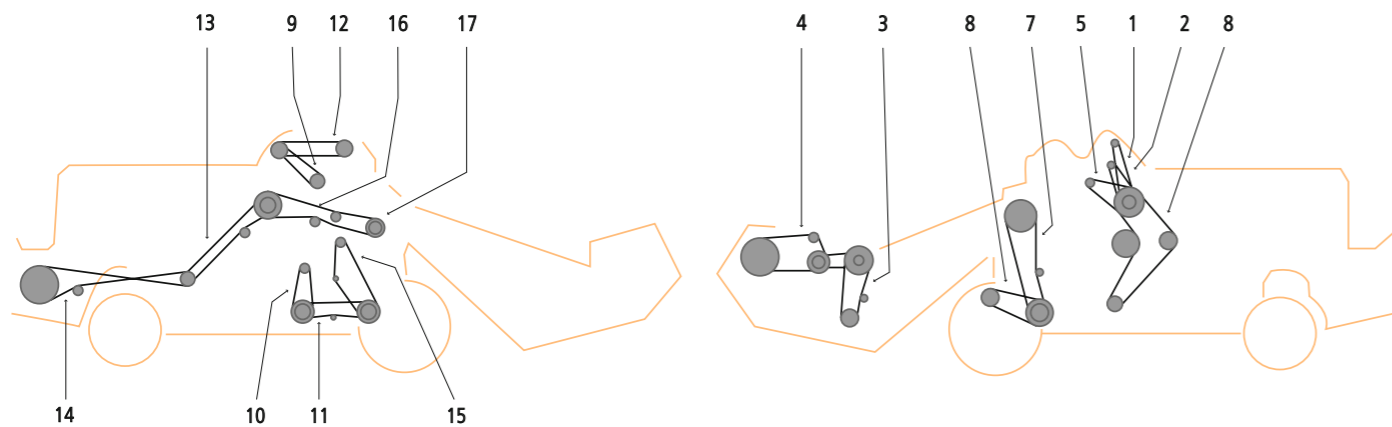
ITEM / POZYCJA	APPLICATION	OPIS	QUANTITY OF V-BELTS IN DRIVE / ILOŚĆ PASÓW W ZESPOLE	OE PART NUMBER / NUMER KATALOGOWY	COMMENT / UWAGI
1	TABLE FEEDER DRUM	BĘBEN WCIĄGAJĄCY	1	621588M1	
2	TANK UNLOADER	WYSYP ZBOŻA	1	905980M1	
3	FANNING MILL UPPER	WIALNIA GÓRNY	1	621261M1	
4	HYDRAULIC PUMP	POMPA HYDRAULICZNA	1	1720674M1	
5	BEATER DRIVE	NAPĘD MŁOCARNI	1	1720255M1	
6	FANNING MILL	WIALNIA	1		
7	SHAKER. STRAW WALKER	WYTRZĄSACZ	1	621258M1	
8	TRACTION DRIVE - UPPER	NAPĘD JEZDNY GÓRNY	1	905981M2	
9	TRACTION DRIVE - LOWER	NAPĘD JEZDNY DOLNY	1	621231M2	X
9	TRACTION DRIVE - LOWER	NAPĘD JEZDNY DOLNY	1	905982M1	X
10	REDUCER	REDUKTOR	1	417972M1	
10	REDUCER	REDUKTOR	1	905447M1	X
10	REDUCER	REDUKTOR	1	905481M1	
11	FRONT AUGER	PRZEDNI ŚLIMAK	1	418209M1	
12	KNIFE	KOSA	1	402607M1	
12	KNIFE	KOSA	1	410959M1	
13	REEL	MOTOWIDŁO	1		
15	FANNING MILL	WIALNIA	1	621262M1	

X - not in standard offer / brak w standardowej ofercie

ITEM / POZYCJA	APPLICATION	OPIS	QUANTITY OF V-BELTS IN DRIVE / ILOŚĆ PASÓW W ZESPOLE	OE PART NUMBER / NUMER KATALOGOWY	COMMENT / UWAGI
1	SHAKER SHOE DRIVE	NAPĘD ZESPOŁU KOSZA SITOWEGO	1	621258M1	
2	REAR BEATER - FAN	TYLNI BĘBEN MŁOCĄCY	1	621261M1	
3	FANNING MILL	WIALNIA	1	417797M1	
6	KNIFE DRIVE UPPER	NAPĘD KOSY GÓRNY	1	417972M1	
7	FEEDER DRIVE	NAPĘD PRZENOŚNIKA POCHYLEGO	1	1720488M1	
8	KNIFE DRIVE	NAPĘD KOSY	1	402607M1	
9	FEEDER AUGER	NAPĘD PRZENOŚNIKA ZBOŻOWEGO	1	1722835M1	
10	TANK UNLOADER	WYSYP ZBOŻA	1	621259M1	
11	REAR BEATER	TYLNI BĘBEN MŁOCĄCY	1	1720255M1	
13	HYDRAULIC PUMP	POMPA HYDRAULICZNA	1	1720674M2	

X - not in standard offer / brak w standardowej ofercie



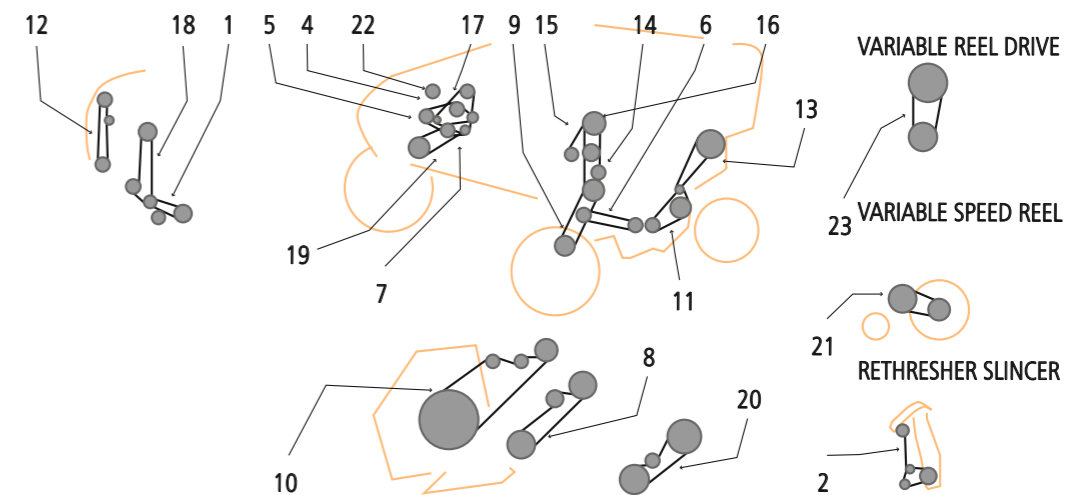
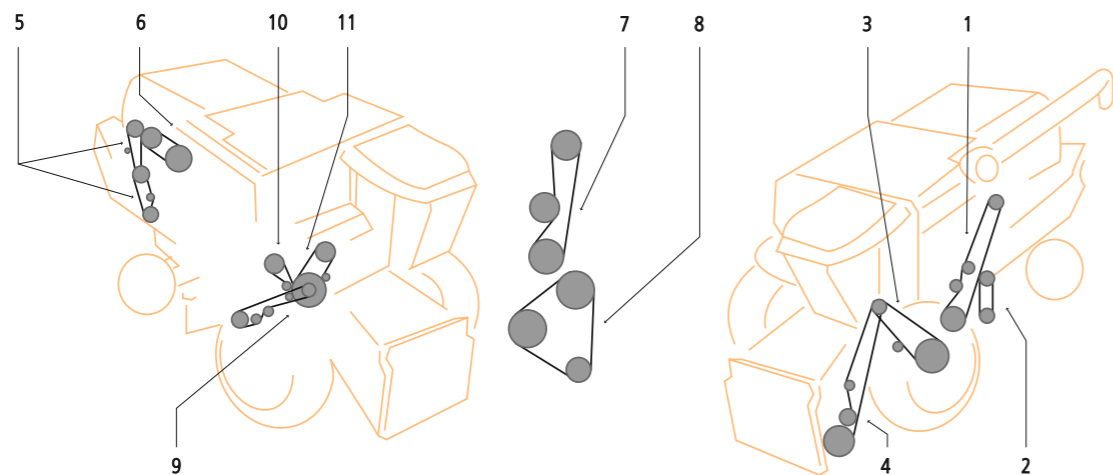


ITEM / POZYCJA	APPLICATION	OPIS	QUANTITY OF V-BELTS IN DRIVE / ILOŚĆ PASÓW W ZESPOLE	OE PART NUMBER / NUMER KATALOGOWY	COMMENT / UWAGI
1	FANNING MILL	WIALNIA	1	784797M2	
2	TANK UNLOADER	WYSYP ZBOŻA	1	228113M1	
3	FANNING MILL UPPER	WIALNIA GÓRNY	1	1855008M1	
5	HYDRAULIC PUMP	POMPA HYDRAULICZNA	1	230381M1	
6	GENERATOR	NAPĘD GENERATORA	1	893575M1	
7	DRIVE	NAPĘD	1	793863M1	X
8	MAIN BELT	PAS GŁÓWNY	1	793862M1	X
9	MULTI FLOW		1		
10	RETURNS	ELEWATOR KŁOSOWY	1	228999M1	
10	RETURNS	ELEWATOR KŁOSOWY	1	832538M1	
11	SHAKER DRIVE	NAPĘD WYTRZĄSACZY POPRZECZNYCH	1	320593M2	
12	GRAIN ELEVATOR	NAPĘD PRZENOŚNIKA ZBOŻOWEGO	1	784796M2	
15	REDUCER	REDUKTOR	1	603719M1	
15	REDUCER	REDUKTOR	1	790833M1	
16	KNIFE	KOSA	1		
17	REEL	MOTOWIDŁO	1	790839M1	

X - not in standard offer / brak w standardowej ofercie

ITEM / POZYCJA	APPLICATION	OPIS	QUANTITY OF V-BELTS IN DRIVE / ILOŚĆ PASÓW W ZESPOLE	OE PART NUMBER / NUMER KATALOGOWY	COMMENT / UWAGI
1	SHAKER SHOE DRIVE	NAPĘD ZESPOŁU KOSZA SITOWEGO	1	621258M1	
2	REAR BEATER - FAN	TYLNI BĘBEN MŁÓCĄCY	1	621261M1	
3	FANNING MILL	WIALNIA	1	621262M1	
6	KNIFE DRIVE UPPER	NAPĘD KOSY GÓRNY	1	417972M1	
7	FEEDER DRIVE	NAPĘD PRZENOŚNIKA POCHYLEGO	1	621588M1	
8	KNIFE DRIVE	NAPĘD KOSY	1	402607M1	
9	FEEDER AUGER	NAPĘD PRZENOŚNIKA ZBOŻOWEGO	1	410959M1	
10	TANK UNLOADER	WYSYP ZBOŻA	1	905980M1	
11	REAR BEATER	TYLNI BĘBEN MŁÓCĄCY	1	1720255M1	
13	HYDRAULIC PUMP	POMPA HYDRAULICZNA	1	1720674M1	

X - not in standard offer / brak w standardowej ofercie

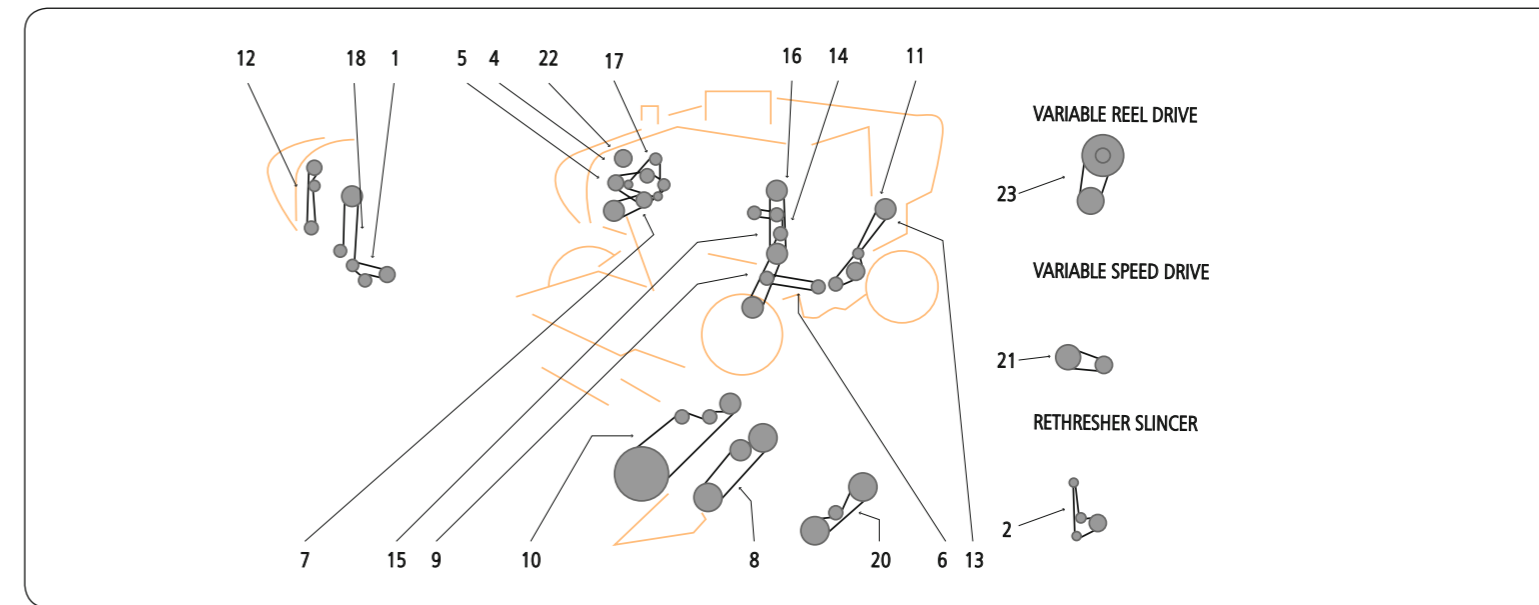
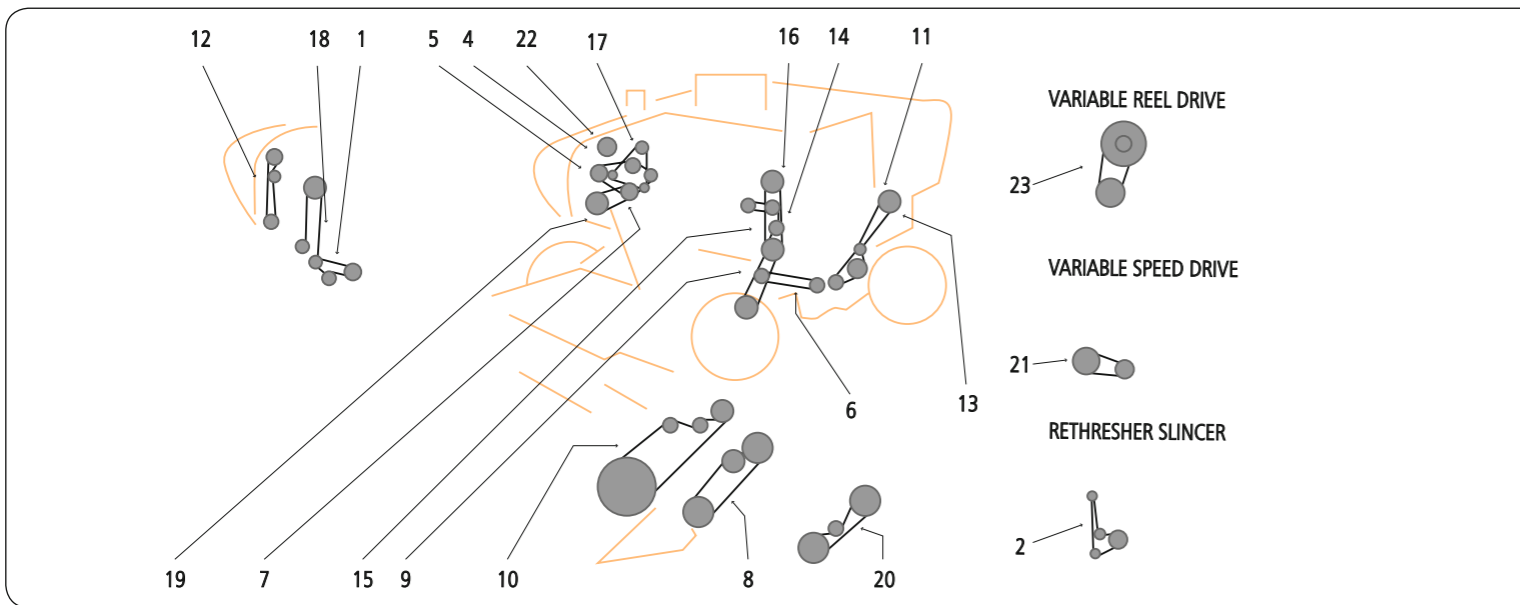


ITEM / POZYCJA	APPLICATION	OPIS	QUANTITY OF V-BELTS IN DRIVE / ILOŚĆ PASÓW W ZESPOLE	OE PART NUMBER / NUMER KATALOGOWY	COMMENT / UWAGI
1	SHAKER SHOE DRIVE	NAPĘD ZESPOŁU KOSZA SITOWEGO	1	621258M1	
2	TRACTION VARI-DRIVE	NAPĘD JAZDY	1	905981M1	
3	TRACTION VARI-DRIVE	NAPĘD JAZDY	1	905982M1	X
4	REAR BEATER	TYLNI BĘBEN MLÓCĄCY	1	1720205M3	
6	REAR BEATER	TYLNI BĘBEN MLÓCĄCY	1	621261M1	
7	FANNING MILL	WIALNIA	1	621262M1	
8	FEEDER DRIVE	NAPĘD PRZENOŚNIKA POCHYLEGO	1	621588M1	
9	TANK UNLOADING	NAPĘD ZESPOŁU WYŁADUNKU	1	905980M1	
10	HYDRAULIC PUMP	POMPA HYDRAULICZNA	1	1720674M2	
11	REEL DRIVE	NAPĘD MOTOWIDŁA	1	905481M1	
12	REEL VARIATOR	NAPĘD MOTOWIDŁA	1	905447M1	X
13	KNIFE DRIVE	NAPĘD KOSY	1	410959M1	

X - not in standard offer / brak w standardowej ofercie

ITEM / POZYCJA	APPLICATION	OPIS	QUANTITY OF V-BELTS IN DRIVE / ILOŚĆ PASÓW W ZESPOLE	OE PART NUMBER / NUMER KATALOGOWY	COMMENT / UWAGI
1	FANNING MILL	WIALNIA DOLNY	1	784797M2	
2	TANK UNLOADER	WYSYP ZBOŻA	1	228813M1	
3	FANNING MILL UPPER	WIALNIA GÓRNY	1	1855008M1	
5	HYDRAULIC PUMP DRIVE	NAPĘD POMPY HYDRAULICZNEJ	1	230381M1	
6	ALTERNATOR DRIVE	NAPĘD ALTERNATORA	1	893575M1	
7	DRIVE	NAPĘD	1	793863M1	X
8	MAIN BELT	PAS GŁÓWNY	1	793862M1	X
9	MULTI FLOW		1		
10	RETURNS	ELEWATOR KŁOSOWY	1	795514M4	
10	RETURNS	ELEWATOR KŁOSOWY	1	795582M2	
11	SHAKER SHAFT DRIVE	NAPĘD WYTRZĄSACZY	1	1615254M1	
12	GRAIN ELEVATOR	ELEWATOR ZIARNA	1	784796M2	
15	REDUCER	REDUKTOR	1	603719M1	
16	KNIFE DRIVE	NAPĘD KOSY	1	785585M3	
17	REEL	MOTOWIDŁO	1	1615254M1	
17	REEL	MOTOWIDŁO	1	1615333M1	

X - not in standard offer / brak w standardowej ofercie

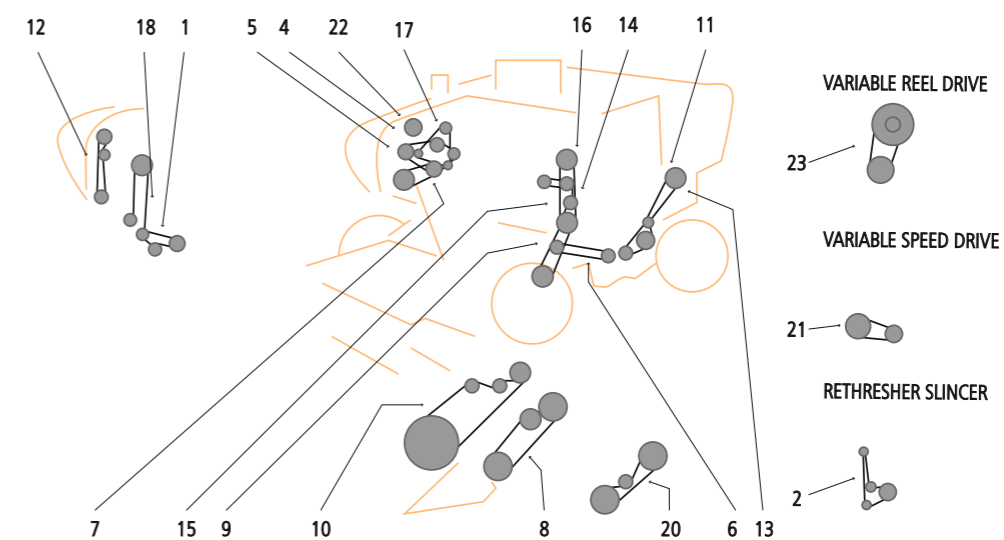
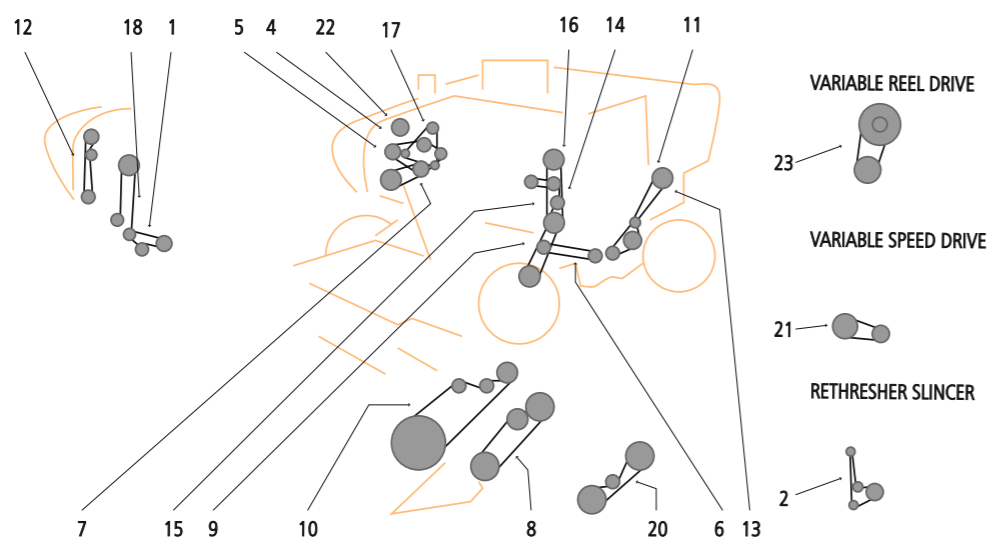


ITEM / POZYCJA	APPLICATION	OPIS	QUANTITY OF V-BELTS IN DRIVE / ILOŚĆ PASÓW W ZESPOLE	OE PART NUMBER / NUMER KATALOGOWY	COMMENT / UWAGI
1	FANNING MILL	WIALNIA	1	1616477M1	
1	FANNING MILL	WIALNIA	1	784797M2	
2	TANK UNLOADER	WYSYP ZBOŻA	1	619317M2	
3	FANNING MILL UPPER	WIALNIA GÓRNY	1	785585M3	
3	FANNING MILL UPPER	WIALNIA GÓRNY	1	789853M1	
5	HYDRAULIC PUMP	POMPA HYDRAULICZNA	1	782849M2	
6	GENERATOR	NAPĘD GENERATORA	1	1446201M1	
6	GENERATOR	NAPĘD GENERATORA	1	1604524M1	
6	GENERATOR	NAPĘD GENERATORA	1	2614A158	
6	GENERATOR	NAPĘD GENERATORA	1	2674B152	X
6	GENERATOR	NAPĘD GENERATORA	1	893575M1	
7	DRIVE	NAPĘD	1	789967M1	X
8	MAIN BELT	PAS GŁÓWNY	1	789930M1	X
9	MULTI FLOW		1	784170M2	
10	RETURNS	ELEWATOR KŁOSOWY	1	795514M4	
10	RETURNS	ELEWATOR KŁOSOWY	1	795582M2	
11	SHAKER DRIVE	NAPĘD WYTRZĄSACZY POPRZECZNYCH	1	1615254M1	
12	GRAIN ELEVATOR	NAPĘD PRZENOŚNIKA ZBOŻOWEGO	1	784796M2	
15	REDUCER	REDUKTOR	1	789853M1	
16	KNIFE	KOSA	1	785585M3	
17	REEL	MOTOWIDŁO	1	1615333M1	
17	REEL	MOTOWIDŁO	1	785810M1	

X - not in standard offer / brak w standardowej ofercie

ITEM / POZYCJA	APPLICATION	OPIS	QUANTITY OF V-BELTS IN DRIVE / ILOŚĆ PASÓW W ZESPOLE	OE PART NUMBER / NUMER KATALOGOWY	COMMENT / UWAGI
1	TANK UNLOADING	NAPĘD ZESPOŁU WYŁADUNKU	1	619317M2	
2	TRACTION VARI-DRIVE	NAPĘD JAZDY	1	1615715M1	X
3	HYDRAULIC PUMP	POMPA HYDRAULICZNA	1	782849M2	
3	HYDRAULIC PUMP	POMPA HYDRAULICZNA	1	782850M2	
4	RADIATOR AIR INTAKE	NAPĘD WENTYLATORA CHŁODNICY	1	783907M1	
5	CASCADE SEPARATOR	ODDZIELACZ WIELOCZYNNIKOWY	1	784170M2	
6	COUNTERSHAFT DRIVE (SECONDARY)	NAPĘD WAŁKA POŚREDNIEGO (POMOCNICZY)	1	784796M2	
7	COUNTERSHAFT DRIVE (SECONDARY)	NAPĘD WAŁKA POŚREDNIEGO (POMOCNICZY)	1	784797M2	
8	KNIFE DRIVE	NAPĘD KOSY	1	785585M3	
9	COUNTERSHAFT DRIVE (SECONDARY)	NAPĘD WAŁKA POŚREDNIEGO (POMOCNICZY)	1	785585M3	
10	REEL VARIATOR	NAPĘD MOTOWIDŁA	1	789853M1	
11	PICK-UP REEL	NAPĘD PODBIERACZA MOTOWIDŁA	1	1615333M1	
11	REEL DRIVE	NAPĘD MOTOWIDŁA	1	785810M1	
12	REAR BEATER	TYLNI BĘBEN MLÓCĄCY	1	789967M1	X
13	RETURNS ELEVATOR	ELEWATOR KŁOSOWY	1	795514M4	
13	RETURNS ELEVATOR	ELEWATOR KŁOSOWY	1	795582M2	
14	STRAW WALKER	WYTRZĄSACZ	1	1615254M1	
17	MAIN DRIVE	NAPĘD GŁÓWNY	1	789930M1	X
17	MAIN DRIVE	NAPĘD GŁÓWNY	1	789931M1	X

X - not in standard offer / brak w standardowej ofercie

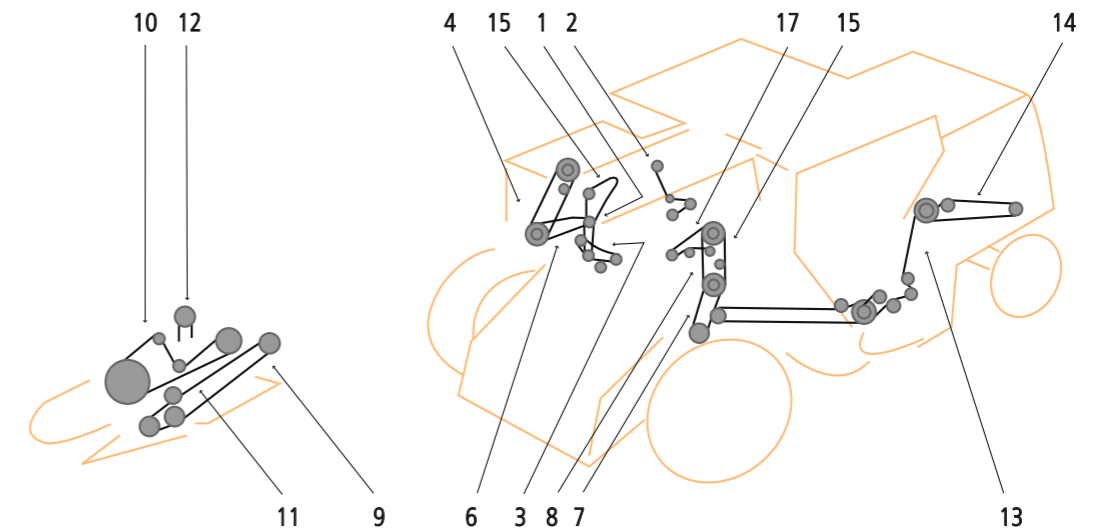
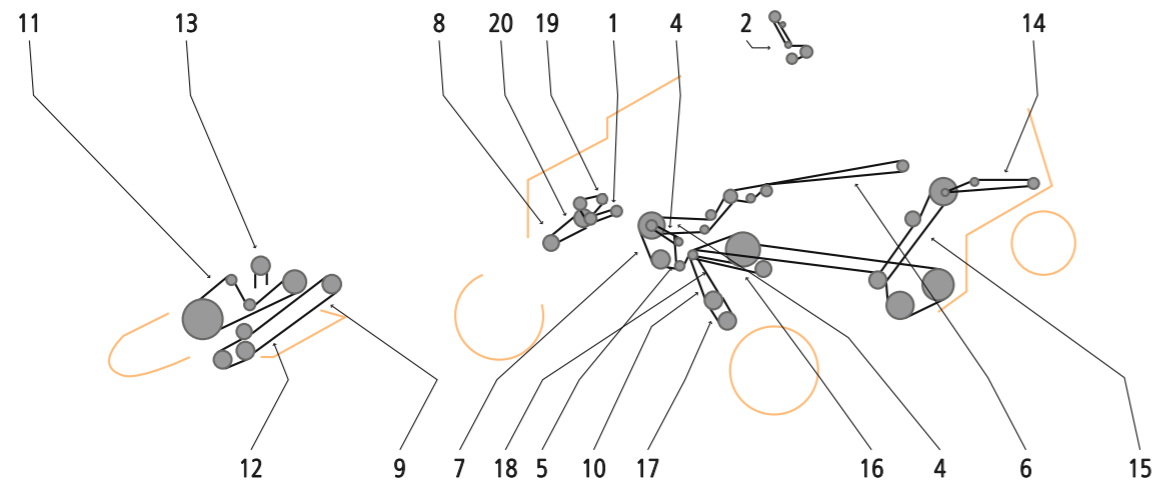


ITEM / POZYCJA	APPLICATION	OPIS	QUANTITY OF V-BELTS IN DRIVE / ILOŚĆ PASÓW W ZESPOLE	OE PART NUMBER / NUMER KATALOGOWY	COMMENT / UWAGI
1	FANNING MILL	WIALNIA	1	1616447M1	
1	FANNING MILL	WIALNIA	1	784797M2	
2	TANK UNLOADER	WYSYP ZBOŻA	1	3370141M1	
3	FANNING MILL UPPER	WIALNIA GÓRNY	1	785585M3	
5	HYDRAULIC PUMP	POMPA HYDRAULICZNA	1		
6	GENERATOR	NAPĘD GENERATORA	1	2614B156	
7	DRIVE	NAPĘD	1	789976M1	X
8	MAIN BELT	PAS GŁÓWNY	1	789930M1	X
9	MULTI FLOW		1	795582M2	
10	RETURNS	ELEWATOR KŁOSOWY	1	795514M4	
11	SHAKER DRIVE	NAPĘD WYTRZĄSACZY POPRZECZNYCH	1	1615254M1	
12	GRAIN ELEVATOR	NAPĘD PRZENOŚNIKA ZBOŻOWEGO	1	784796M2	
15	REDUCER	REDUKTOR	1		
16	KNIFE	KOSA	1	1724154M1	
17	REEL	MOTOWIDŁO	1	843313M1	X

X - not in standard offer / brak w standardowej ofercie

ITEM / POZYCJA	APPLICATION	OPIS	QUANTITY OF V-BELTS IN DRIVE / ILOŚĆ PASÓW W ZESPOLE	OE PART NUMBER / NUMER KATALOGOWY	COMMENT / UWAGI
1	FANNING MILL	WIALNIA	1	3043153M1	X
1	FANNING MILL	WIALNIA	1	3043154M1	X
2	TANK UNLOADER	WYSYP ZBOŻA	1	3370141M1	
3	FANNING MILL UPPER	WIALNIA GÓRNY	1	785585M3	
5	HYDRAULIC PUMP	POMPA HYDRAULICZNA	1	843313M1	X
6	GENERATOR	NAPĘD GENERATORA	1	1687531M1	
6	GENERATOR	NAPĘD GENERATORA	1	2614B156	
7	DRIVE	NAPĘD	1	789967M1	X
8	MAIN BELT	PAS GŁÓWNY	1	789930M1	X
8	MAIN BELT	PAS GŁÓWNY	1	789931M1	X
9	MULTI FLOW		1		
10	RETURNS	ELEWATOR KŁOSOWY	1	795514M4	
10	RETURNS	ELEWATOR KŁOSOWY	1	795582M2	
11	SHAKER DRIVE	NAPĘD WYTRZĄSACZY POPRZECZNYCH	1	1615254M1	
12	GRAIN ELEVATOR	NAPĘD PRZENOŚNIKA ZBOŻOWEGO	1	784796M2	
14	TRACTION DRIVE - LOWER	NAPĘD JEZDNY DOLNY	1	232511M2	X
15	REDUCER	REDUKTOR	1	789853M1	
16	KNIFE	KOSA	1	1724154M1	
17	REEL	MOTOWIDŁO	1	843313M1	X

X - not in standard offer / brak w standardowej ofercie



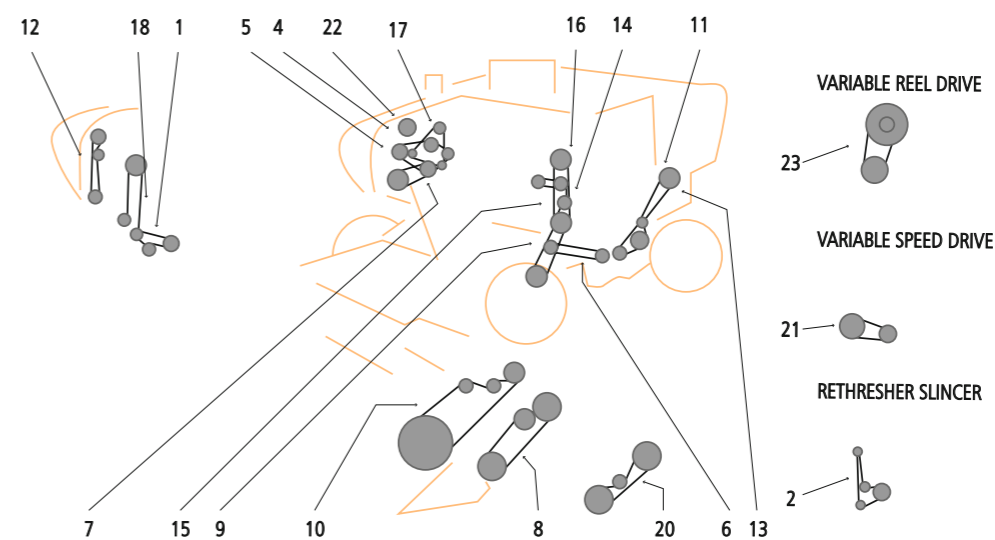
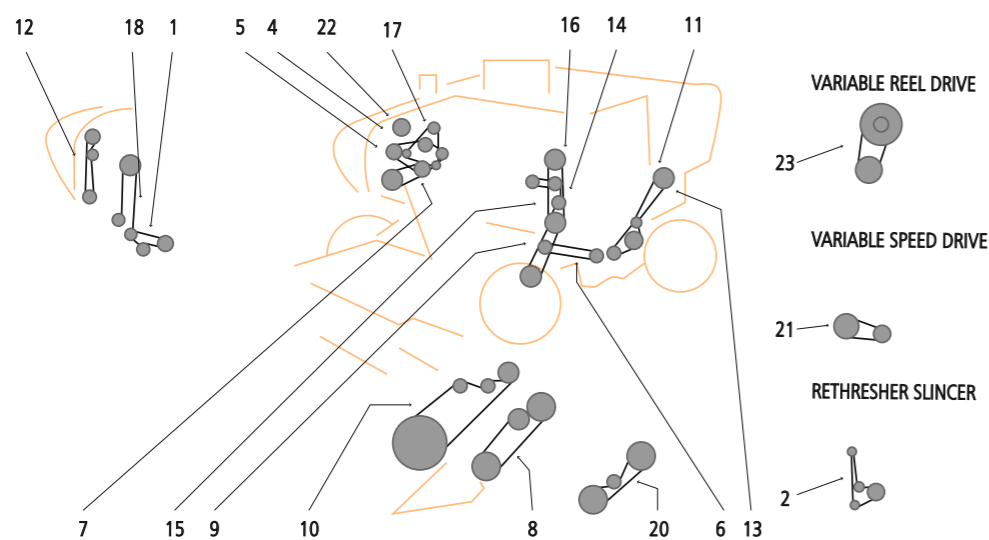
ITEM / POZYCJA	APPLICATION	OPIS	QUANTITY OF V-BELTS IN DRIVE / ILOŚĆ PASÓW W ZESPOLE	OE PART NUMBER / NUMER KATALOGOWY	COMMENT / UWAGI
0	PICK-UP	NAPĘD PODBIERACZA PRASY	1	1047702M1	
1	AIR CONDITIONING	NAPĘD KLIMATYZACJI	1	843045M1	
2	AUXILIARY CYLINDER	BĘBEN POMOCNICZY	1	834332M1	
3	CHOPPER DRIVE - HIGH SPEED	NAPĘD SIECZKARNI - DUŻA PRĘDKOŚĆ	1	843760M1	
3	CHOPPER DRIVE - LOW SPEED	NAPĘD SIECZKARNI - MAŁA PRĘDKOŚĆ	1	843759M1	
4	CLEANING FAN	NAPĘD WIALNI	1	832877M1	
5	CLEANING FAN COUNTERSHAFT	POŚREDNI WAŁ NAPĘDU WENTYLATORA	1	228997M1	X
6	COUNTERSHAFT DRIVE	NAPĘD POŚREDNI	1	843758M1	
7	CYLINDER DRIVE	NAPĘD BĘBNA MLÓCĄCEGO	1	832873M1	X
8	AIR INTAKE	WENTYLATOR	1	240575M2	
9	KNIFE WOBBLE. 13 RIGID BAR HIGH SPEED	KOSA	1	832085M1	
9	KNIFE WOBBLE. FLOATING CUT BAR	KOSA	1	833962M1	
9	KNIFE WOBBLE. RIGID CUT BAR	KOSA	1	834190M1	
9	KNIFE WOBBLE. SPEED UP 15.16.18.20	KOSA	1	843029M1	X
10	REAR BEATER OR STRAW CHOPPER	TYLNI BĘBEN MLÓCĄCY LUB SIECZKARNIA	1	843747M1	
11	REEL	MOTOWIDŁO	1	834140M1	
12	REEL COUNTERSHAFT	MOTOWIDŁO	1	834139M1	
13	REEL DRIVE	NAPĘD MOTOWIDŁA	1	833768M1	X
14	STRAW SPREADER	ROZTRZĄSACZ	1	843742M1	
15	STRAW WALKER	NAPĘD ZESPOŁU WYTRZĄSACZY	1	832867M1	X
16	TANK UNLOADER	WYSYP ZBOŻA	1	832878M1	
17	LOWER GROUND SPEED DRIVE	NAPĘD POŚREDNI JAZDY DOLNY	1	843732M2	X
18	UPPER GROUND SPEED DRIVE	NAPĘD POŚREDNI JAZDY GÓRNY	1	832790M3	X
18	UPPER GROUND SPEED DRIVE	NAPĘD POŚREDNI JAZDY GÓRNY	1	844091M1	X
19	WATER PUMP, FAN, ALTERNATOR	NAPĘD POMPY WODNEJ, WENTYLATORA	1	532779M92	
19	WATER PUMP, FAN, ALTERNATOR	NAPĘD POMPY WODNEJ, WENTYLATORA	1	844171M1	X
20	HYDRAULIC PUMP DRIVE	NAPĘD POMPY HYDRAULICZNEJ	1	230380M1	

X - not in standard offer / brak w standardowej ofercie

ITEM / POZYCJA	APPLICATION	OPIS	QUANTITY OF V-BELTS IN DRIVE / ILOŚĆ PASÓW W ZESPOLE	OE PART NUMBER / NUMER KATALOGOWY	COMMENT / UWAGI
0	PICK-UP	NAPĘD PODBIERACZA PRASY	1	1047702M1	
0	CHOPPER DRIVE	NAPĘD SIECZKARNI	1	1051235M1	
0	STRAW CHOPPER CORN KIT. LOW SPEED	WOLNOOBROTOWY NAPĘD SIECZKARNI	1	842935M1	
1	CLEANING FAN COUNTERSHAFT	POŚREDNI WAŁ NAPĘDU WENTYLATORA	1	227457M1	
2	AUXILIARY CYLINDER	BĘBEN POMOCNICZY	1	834332M1	
3	CLEANING FAN	NAPĘD WIALNI	1	227976M1	
3	CLEANING FAN HIGH SPEED	NAPĘD WIALNI CZYSZCZĄCEJ	1	834492M2	
5	GRAIN AUGER	NAPĘD PRZENOŚNIKA ŚLIMAKOWEGO	1	227984M1	
6	HYDRAULIC PUMP DRIVE	NAPĘD POMPY HYDRAULICZNEJ	1	843737M1	
7	TRACTION DRIVE - LOWER - 4 SPEED	NAPĘD JEZDNY DOLNY, 4 PRĘDKOŚCI	1	230097M2	
7	HYDROSTATIC DRIVE LOWER	NAPĘD HYDROSTATYCZNY DOLNY	1	834176M1	
8	HYDROSTATIC DRIVE UPPER	NAPĘD HYDROSTATYCZNY GÓRNY	1	834175M1	
9	KNIFE WOBBLE. CENTERED CHAIN DRIVE	KOSA	1	834058M1	
9	KNIFE WOBBLE. RIGID CUT BAR	KOSA	1	195671M1	
9	KNIFE WOBBLE. FLOATING CUT BAR	KOSA	1	833962M1	
9	KNIFE WOBBLE. RIGID CUT BAR	KOSA	1	834190M1	
10	REEL	MOTOWIDŁO	1	834140M1	
11	REEL COUNTERSHAFT	MOTOWIDŁO	1	834139M1	
12	REEL DRIVE	NAPĘD MOTOWIDŁA	1	833768M1	X
13	RETURN AUGER AND WALKER	NAPĘD PRZENOŚNIKA I WYTRZĄSACZA	1	227986M2	
14	STRAW SPREADER (DUAL)	ROZTRZĄSACZ (PODWÓJNY)	1	834254M1	
15	TANK UNLOADER	WYSYP ZBOŻA	1	228813M3	
16	WATER PUMP, FAN, ALTERNATOR	NAPĘD POMPY WODNEJ, WENTYLATORA	1	268847M91	
16	WATER PUMP, FAN, ALTERNATOR	NAPĘD POMPY WODNEJ, WENTYLATORA	1	532779M92	
17	MAIN DRIVE	NAPĘD GŁÓWNY	1	230556M4	X

X - not in standard offer / brak w standardowej ofercie



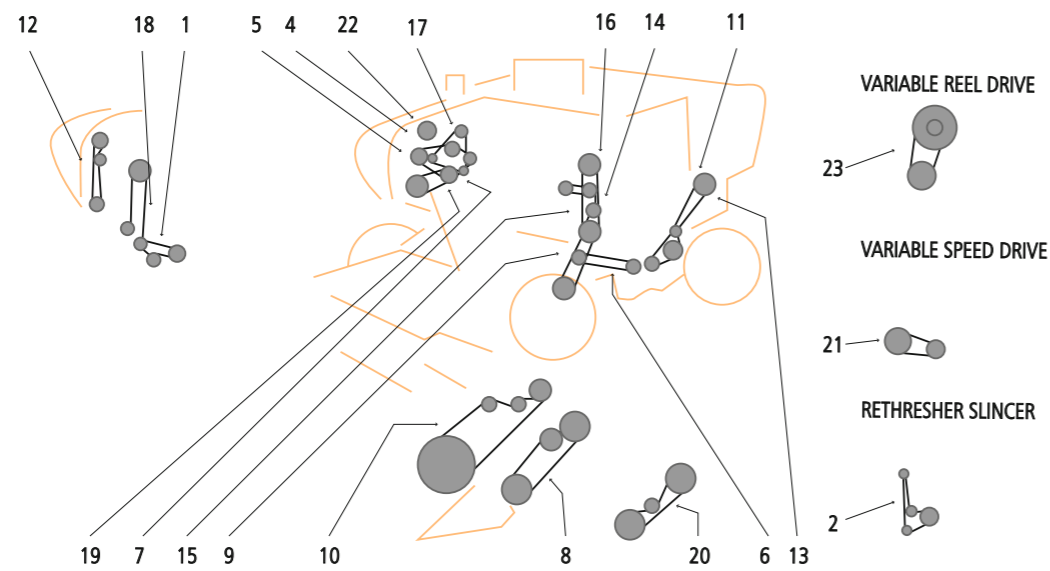


ITEM / POZYCJA	APPLICATION	OPIS	QUANTITY OF V-BELTS IN DRIVE / ILOŚĆ PASÓW W ZESPOLE	OE PART NUMBER / NUMER KATALOGOWY	COMMENT / UWAGI
1	TANK UNLOADING	NAPĘD ZESPOŁU WYŁADUNKU	1	324872M1	
1	TANK UNLOADING	NAPĘD ZESPOŁU WYŁADUNKU	1	402188M1	
2	STRAW BALER	NAPĘD PRASY	1	326586M3	
3	FANNING MILL	WIALNIA	1	321034M3	
4	TABLE DRIVE	NAPĘD	1	320595M2	
4	TABLE DRIVE	NAPĘD	1	322768M1	
5	CYLINDER DRIVE	NAPĘD BĘBNA MŁÓCĄCEGO	1	320496M3	
6	KNIFE DRIVE	NAPĘD KOSY	1	320623M2	
7	FEEDER AUGER	NAPĘD PRZENOŚNIKA ZBOŻOWEGO	1	320596M1	
8	TRACTION VARI-DRIVE	NAPĘD JAZDY	1	320551M1	X
9	HYDRAULIC PUMP	POMPA HYDRAULICZNA	1	410195M1	
10	STRAW WALKER	WYTRZĄSACZ	1	320593M2	

X - not in standard offer / brak w standardowej ofercie

ITEM / POZYCJA	APPLICATION	OPIS	QUANTITY OF V-BELTS IN DRIVE / ILOŚĆ PASÓW W ZESPOLE	OE PART NUMBER / NUMER KATALOGOWY	COMMENT / UWAGI
1	KNIFE DRIVE	NAPĘD KOSY	1	402607M1	
2	TRACTION VARI-DRIVE	NAPĘD JAZDY	1	401110M1	X
3	CYLINDER DRIVE	NAPĘD BĘBNA MŁÓCĄCEGO	1	402608M3	
4	COUNTER SHAFT DRIVE	NAPĘD POŚREDNI MŁOCARNI	1	402603M1	
5	TRACTION VARI-DRIVE	NAPĘD JAZDY	1	401109M1	X
6	STRAW WALKER	WYTRZĄSACZ	1	401753M2	
7	HYDRAULIC PUMP (AUSTIN)	POMPA HYDRAULICZNA	1	402188M1	
7	HYDRAULIC PUMP (PERKINS)	POMPA HYDRAULICZNA	1	403041M1	
8	RADIATOR FAN	NAPĘD WENTYLATORA CHŁODNICY	1	402177M1	
9	TANK UNLOADER	WYSYP ZBOŻA	1	403071M1	
10	STRAW BALER	NAPĘD PRASY	1	328656M1	
10	STRAW BALER	NAPĘD PRASY	1	328681M1	
11	FANNING MILL	WIALNIA	1	402604M1	
12	FANNING MILL	WIALNIA	1	402605M1	
13	REAR BEATER	TYLNI BĘBEN MŁÓCĄCY	1	402606M1	
14	GRAIN AUGER	NAPĘD PRZENOŚNIKA ŚLIMAKOWEGO	1	402354M1	

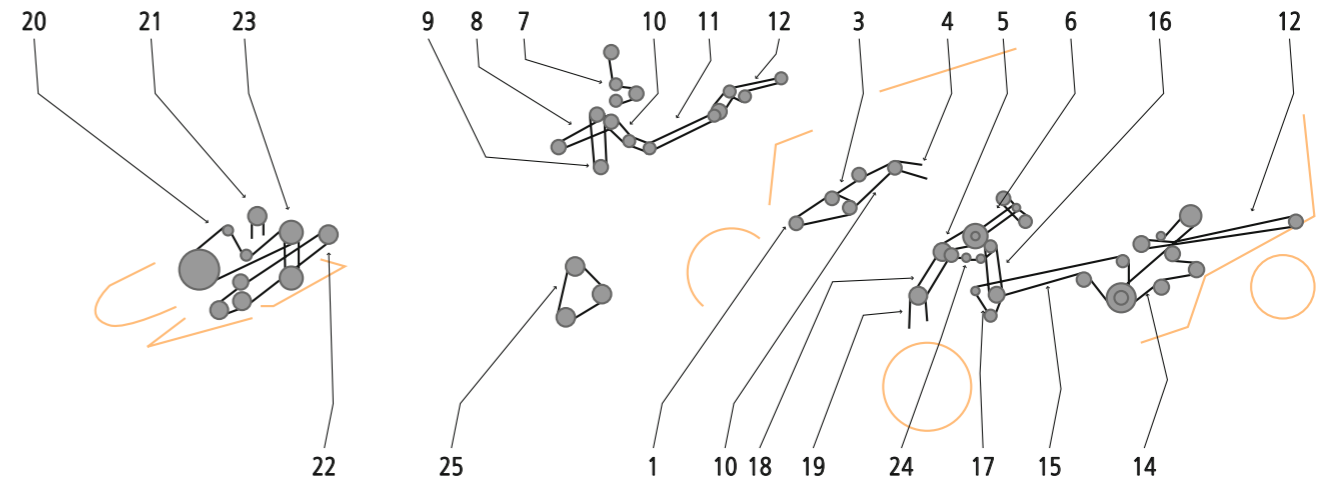
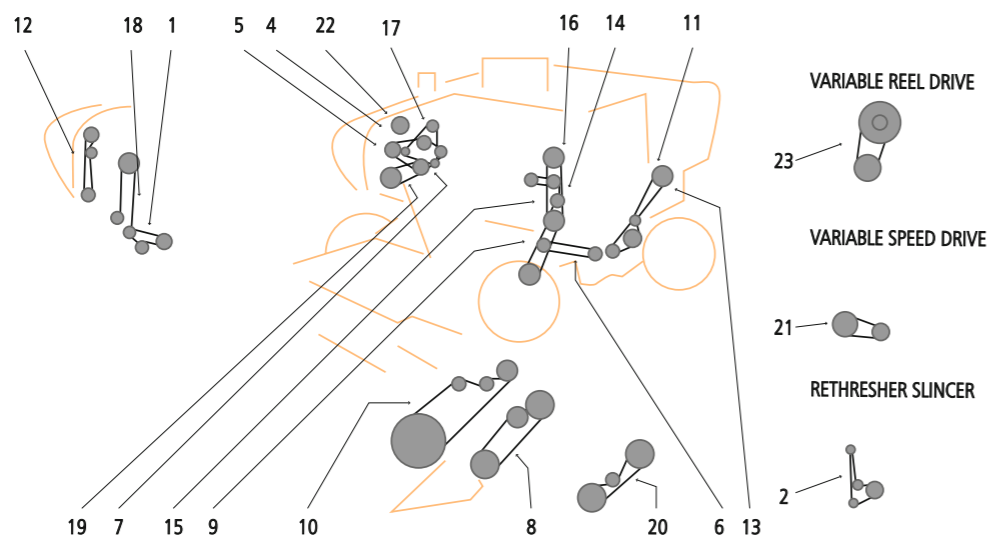
X - not in standard offer / brak w standardowej ofercie



ITEM / POZYCJA	APPLICATION	OPIS	QUANTITY OF V-BELTS IN DRIVE / ILOŚĆ PASÓW W ZESPOLE	OE PART NUMBER / NUMER KATALOGOWY	COMMENT / UWAGI
19	TRACTION DRIVE - LOWER	NAPĘD JEZDNY DOLNY	1	833866M1	X
20	REEL	MOTOWIDŁO	1	834140M1	X
21	REEL VARIATOR	NAPĘD MOTOWIDŁA	1	833768M1	
22	KNIFE WOBBLE	KOSA	1	834190M1	X
22	WOBBLE BOX DRIVE	KOSA	1	842809M1	
23	REEL COUNTERSHAFT	MOTOWIDŁO	1	834139M1	
24	GRAIN TANK UNLOADING	NAPĘD ZESPOŁU WYSYPY ZBIORNIKA ZBOŻOWEGO	1	833873M1	

X - not in standard offer / brak w standardowej ofercie

ITEM / POZYCJA	APPLICATION	OPIS	QUANTITY OF V-BELTS IN DRIVE / ILOŚĆ PASÓW W ZESPOLE	OE PART NUMBER / NUMER KATALOGOWY	COMMENT / UWAGI
1	HYDRAULIC PUMP (MECH. S/N >5387)	POMPA HYDRAULICZNA	1	222882M2	
1	HYDRAULIC PUMP	POMPA HYDRAULICZNA	1	842413M1	
2	RADIATOR FAN (MECH. S/N 1979 - 5387)	NAPĘD WENTYLATORA	1	259047M91	
2	RADIATOR FAN	NAPĘD WENTYLATORA CHŁODNICY	1	265522M91	
3	ALTERNATOR DRIVE	NAPĘD ALTERNATORA	1	1687531M91	X
3	ALTERNATOR DRIVE	NAPĘD ALTERNATORA	1	844079M1	
4	AIR CONDITIONING	NAPĘD KLIMATYZACJI	1	1686883M1	
4	AIR CONDITIONING (S/N < 9674)	KLIMATYZACJA	1	834492M2	
4	AIR CONDITIONING (S/N >9674)	KLIMATYZACJA	1	843045M1	
5	MAIN DRIVE	NAPĘD GŁÓWNY	1	833874M1	
6	AIR INTAKE	WENTYLATOR	1	216897M1	
7	RETURN ELEVATOR	NAPĘD PRZENOŚNIKA POWROTNEGO	1	833854M2	
8	CYLINDER DRIVE	NAPĘD BĘBNA MLÓCĄCEGO	1	833868M1	X
9	HYDROSTATIC REEL	HYDROSTATYCZNE MOTOWIDŁA	1	842845M1	
10	STRAW CHOPPER (S/N < 16539)	NAPĘD ROZDRABNIACZA SŁOMY	1	833871M1	
10	STRAW CHOPPER (S/N > 16539)	NAPĘD ROZDRABNIACZA SŁOMY	1	843948M1	X
11	STRAW CHOPPER	NAPĘD ROZDRABNIACZA SŁOMY	1	3172001M1	
11	STRAW CHOPPER (S/N <16539)	NAPĘD ROZDRABNIACZA SŁOMY	1	832866M2	
11	STRAW CHOPPER (S/N >16539)	NAPĘD ROZDRABNIACZA SŁOMY	1	843747M1	
12	STRAW CHOPPER DRIVE (S/N > 16539)	NAPĘD ROZDRABNIACZA SŁOMY	1	832906M1	
12	STRAW CHOPPER DRIVE (S/N < 16539)	NAPĘD ROZDRABNIACZA SŁOMY	1	833872M1	
12	STRAW CHOPPER DRIVE	NAPĘD ROZDRABNIACZA SŁOMY	1	843760M1	
13	STRAW SPREADER	ROZTRZĄSACZ	1	842110M1	
14	STRAW WALKER	WYTRZĄSACZ	1	833855M1	
14	STRAW WALKER	WYTRZĄSACZ	1	843310M1	
15	SHAKER SHOE	NAPĘD ZESPOŁU KOSZA SITOWEGO	1	273757M91	
16	SHAKER SHOE - COUNTERSHAFT - FAN (S/N <15716)	WIALNIA GÓRNY	1	274015M91	
16	SHAKER SHOE - COUNTERSHAFT - FAN (S/N <15716)	WIALNIA GÓRNY	2	281560M91	
17	CLEANING FAN	NAPĘD WIALNI	1	833863M1	X
17	CLEANING FAN, SMALL SEED KIT	WIALNIA DOLNY	1	842423M1	X
18	TRACTION DRIVE - UPPER	NAPĘD JEZDNY GÓRNY	1	833856M1	X
18	TRACTION DRIVE - UPPER	NAPĘD JEZDNY GÓRNY	1	833857M4	X
18	TRACTION DRIVE - UPPER	NAPĘD JEZDNY GÓRNY	1	833858M4	X
18	TRACTION UPPER (HYDRO)	NAPĘD JEZDNY GÓRNY	1	844077M1	X
19	TRACTION DRIVE - LOWER	NAPĘD JEZDNY DOLNY	1	833858M4	X



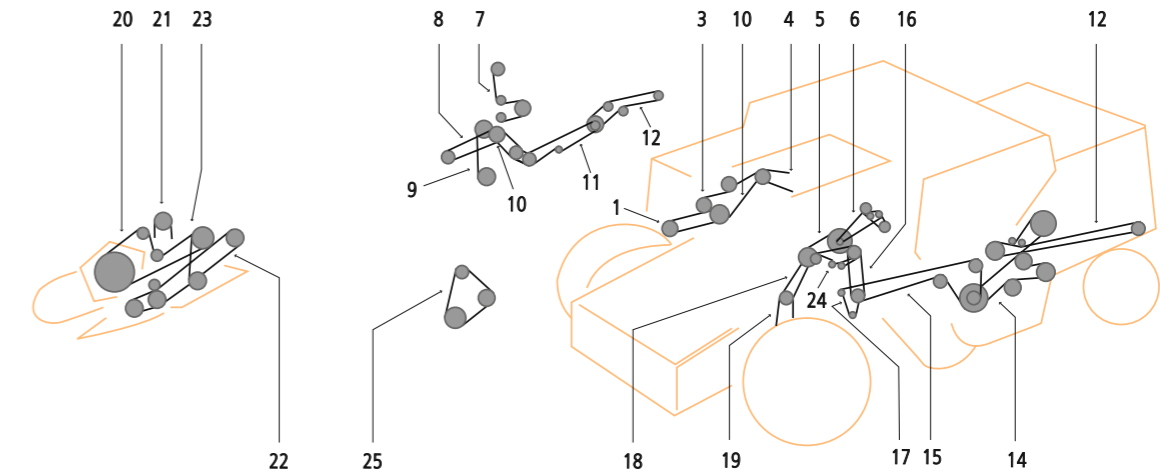
ITEM / POZYCJA	APPLICATION	OPIS	QUANTITY OF V-BELTS IN DRIVE / ILOŚĆ PASÓW W ZESPOLE	OE PART NUMBER / NUMER KATALOGOWY	COMMENT / UWAGI
1			1	834140M1	
2	REEL VARIATOR	NAPĘD MOTOWIDŁA	1	833768M1	X
3	REEL DRIVE	NAPĘD MOTOWIDŁA	1	834139M1	
4	WOBBLE BOX DRIVE	KOSA	1	834058M1	
4	WOBBLE BOX DRIVE	KOSA	1	842809M1	
5	TRACTION DRIVE	NAPĘD JAZDY	1	833856M1	X
5	TRACTION DRIVE	NAPĘD JAZDY	1	833857M1	X
6	TRACTION DRIVE	NAPĘD JAZDY	1	833859M4	X
7	TRACTION DRIVE	NAPĘD JAZDY	1	833874M1	
8	AIR INTAKE	WENTYLATOR	1	216897M1	
9	GRAIN TANK UNLOADING	NAPĘD ZESPOŁU WYSYPU ZBIORNIKA ZBOŻOWEGO	1	833873M1	
10	COUNTERSHAFT SHOE - FAN	WAŁ POŚREDNI - WENTYLATOR	1	842851M1	
11	STRAW SPREADER	ROZTRZĄSACZ	1	842110M1	
12	STRAW WALKER	WYTRZĄSACZ	1	833855M1	
12	STRAW WALKER	WYTRZĄSACZ	1	843310M1	
14	SHAKER SHOE DRIVE	NAPĘD ZESPOŁU KOSZA SITOWEGO	1	842419M1	
15	CLEANING FAN	NAPĘD WIALNI	1	833863M3	X
15	SMALL SEED KIT	PRZYSTAWKA DO MAŁYCH ZIAREN	1	842423M1	X
16	HYDRAULIC PUMP	POMPA HYDRAULICZNA	1	222882M2	
16	HYDRAULIC PUMP	POMPA HYDRAULICZNA	1	842413M1	
17	RADIATOR FAN	NAPĘD WENTYLATORA CHŁODNICY	1	273837M91	
18	ALTERNATOR DRIVE	NAPĘD ALTERNATORA	1	259047M91	
18	RADIATOR FAN	NAPĘD WENTYLATORA CHŁODNICY	1	842383M1	
18	RADIATOR FAN	NAPĘD WENTYLATORA CHŁODNICY	1	843008M1	
19	AIR CONDITIONING	NAPĘD KLIMATYZACJI	1	834492M2	
19	AIR CONDITIONING	NAPĘD KLIMATYZACJI	1	843045M1	
20	HYDROSTATIC REEL DRIVE	HYDROSTATYCZNE MOTOWIDŁA	1	842845M1	
22	STRAW CHOPPER DRIVE	NAPĘD ROZDRABNIACZA SŁOMY	1	833871M1	
23	STRAW CHOPPER DRIVE	NAPĘD ROZDRABNIACZA SŁOMY	1	832866M2	
24	STRAW CHOPPER DRIVE	NAPĘD ROZDRABNIACZA SŁOMY	1	833872M1	
24	STRAW CHOPPER DRIVE	NAPĘD ROZDRABNIACZA SŁOMY	1	843324M1	
25	RETURNS ELEVATOR	ELEWATOR KŁOSOWY	1	833854M2	

X - not in standard offer / brak w standardowej ofercie

ITEM / POZYCJA	APPLICATION	OPIS	QUANTITY OF V-BELTS IN DRIVE / ILOŚĆ PASÓW W ZESPOLE	OE PART NUMBER / NUMER KATALOGOWY	COMMENT / UWAGI
1	HYDRAULIC PUMP DRIVE	NAPĘD POMPY HYDRAULICZNEJ	1	222882M2	
1	HYDRAULIC PUMP DRIVE	NAPĘD POMPY HYDRAULICZNEJ	1	842413M1	
1	RADIATOR FAN	WENTYLATOR	1	833870M1	
1	HYDRAULIC PUMP DRIVE	NAPĘD POMPY HYDRAULICZNEJ	1	842464M2	
2	RADIATOR FAN	WENTYLATOR	1	259047M91	
2	RADIATOR FAN	WENTYLATOR	1	833869M1	
3	ALTERNATOR DRIVE	ALTERNATOR	1	1687531M1	
3	ALTERNATOR DRIVE	ALTERNATOR	1	844079M1	
4	AIR CONDITIONING	KLIMATYZACJA	1	1686883M1	
4	AIR CONDITIONING	KLIMATYZACJA	1	834492M1	
4	AIR CONDITIONING	KLIMATYZACJA	1	842463M1	
4	AIR CONDITIONING	KLIMATYZACJA	1	843045M1	
5	MAIN DRIVE	NAPĘD GŁÓWNY	1	833865M1	
6	AIR INTAKE	WENTYLATOR	1	833867M1	
7	RETURNS ELEVATOR	ELEWATOR KŁOSOWY	1	833854M1	
9	REEL COUNTERSHAFT	MOTOWIDŁO	1	842845M1	
10	STRAW CHOPPER DRIVE	NAPĘD ROZDRABNIACZA SŁOMY	1	833871M1	
10	STRAW CHOPPER (S/N > 9413)	SIECZKARNIA	1	843948M1	X
11	STRAW CHOPPER DRIVE	NAPĘD ROZDRABNIACZA SŁOMY	1	832866M2	
11	STRAW CHOPPER (S/N > 9413)	SIECZKARNIA	1	843747M1	
12	STRAW CHOPPER DRIVE	NAPĘD ROZDRABNIACZA SŁOMY	1	843760M1	
12	STRAW CHOPPER DRIVE (S/N > 9413)	SIECZKARNIA	1	832906M1	
12	STRAW CHOPPER DRIVE (S/N < 9413)	SIECZKARNIA	1	833872M1	
13	STRAW SPREADER	ROZTRZĄSACZ	1	842110M1	
14	STRAW WALKER	WYTRZĄSACZ	1	833860M1	
15	SHAKER SHOE DRIVE	PODSIEWACZ	1	273757M91	
16	SHAKER SHOE - COUNTERSHAFT - FAN	WIALNIA GÓRNY	1	274015M91	
16	SHAKER SHOE - COUNTERSHAFT - FAN	WIALNIA GÓRNY	2	281560M91	
17	CLEANING FAN	WIALNIA DOLNY	1	833863M1	X
17	CLEANING FAN, SMALL SEED KIT	WIALNIA DOLNY	1	842423M1	X
18	TRACTION DRIVE - UPPER - 4 SPEED	NAPĘD JEZDNY GÓRNY, 4 PRĘDKOŚCI	1	833858M4	X
18	TRACTION HYDROSTATIC DRIVE - UPPER	NAPĘD JEZDNY HYDROSTATYCZNY GÓRNY	1	833866M1	X
19	TRACTION DRIVE - LOWER - 4 SPEED	NAPĘD JEZDNY DOLNY, 4 PRĘDKOŚCI	1	833858M4	X
19	TRACTION HYDROSTATIC DRIVE - LOWER	NAPĘD JEZDNY HYDROSTATYCZNY DOLNY	1	833866M1	X
20	REEL COUNTERSHAFT	MOTOWIDŁO	1	834140M1	
21	REEL DRIVE	MOTOWIDŁO	1	833768M1	X
22	KNIFE DRIVE, RIDIG CUT BAR 13 FT.	KOSA 3,90 M	1	834058M1	
22	WOBBLE BOX, WITH 30 FT. TABLE	KOSA HEDER 9,0 M	1	210774M1	

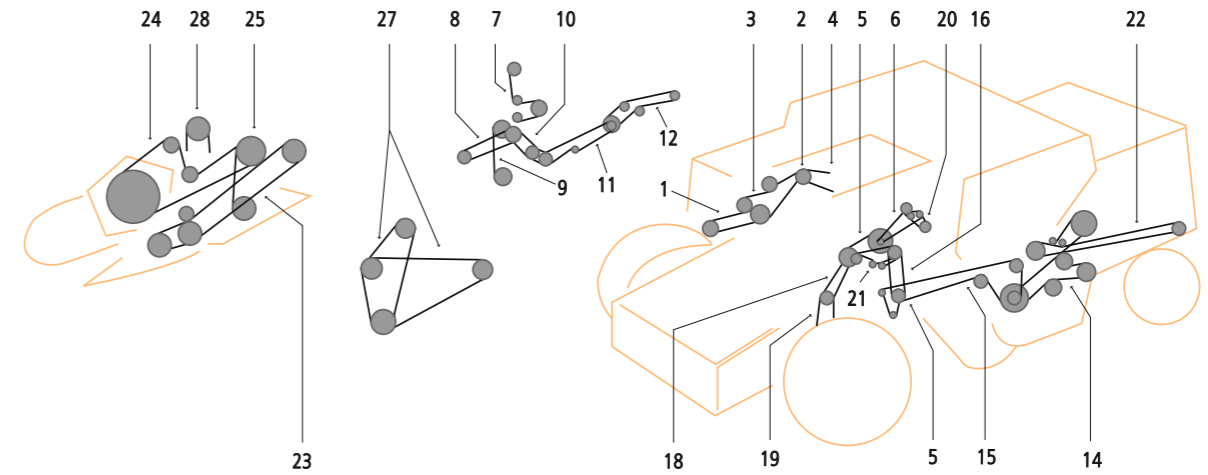
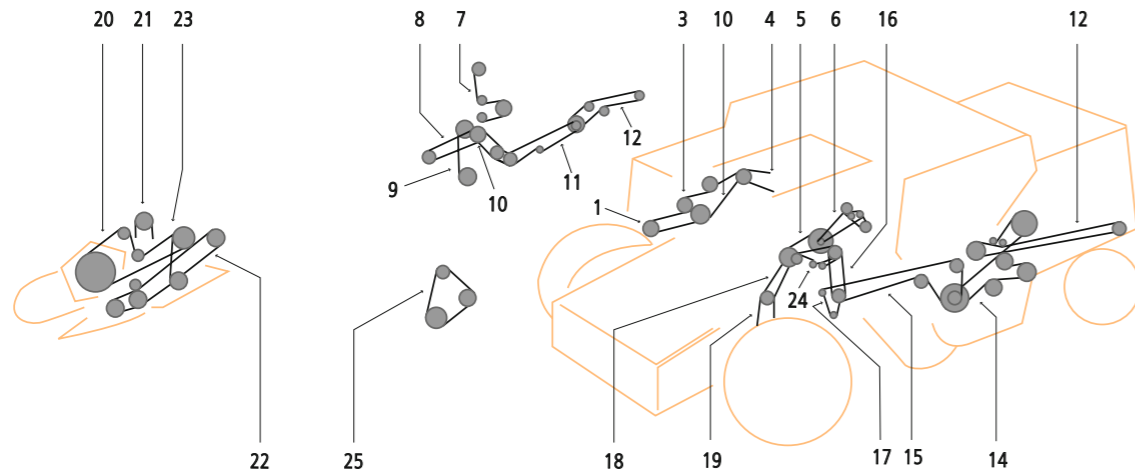
ITEM / POZYCJA	APPLICATION	OPIS	QUANTITY OF V-BELTS IN DRIVE / ILOŚĆ PASÓW W ZESPOLE	OE PART NUMBER / NUMER KATALOGOWY	COMMENT / UWAGI
22	KNIFE WOBBLE, RIDIG CUT BAR WITH SPEED UP KIT	KOSA	1	832085M1	
22	KNIFE WOBBLE, FLOATING CUT BAR	KOSA	1	833962M1	
22	KNIFE WOBBLE RIDIG CUT BAR, 15 FT. - 24 FT.	KOSA	1	834190M1	
22	WOBBLE BOX, WITH DRAPER TABLE	KOSA	1	842809M1	
23	REEL COUNTERSHAFT	MOTOWIDŁO	1	834139M1	
24	GRAIN TANK UNLOADING	NAPĘD ZESPOŁU WYSYPU ZBIORNIKA ZBOŻOWEGO	1	833862M3	
24	ALTERNATOR, V8 ENGINE (S/N > 13173)	ALTERNATOR	1	3040950M91	
25	ALTERNATOR, V8 ENGINE (S/N < 13173)	ALTERNATOR	1	844163M1	X

X - not in standard offer / brak w standardowej ofercie



ITEM / POZYCJA	APPLICATION	OPIS	QUANTITY OF V-BELTS IN DRIVE / ILOŚĆ PASÓW W ZESPOLE	OE PART NUMBER / NUMER KATALOGOWY	COMMENT / UWAGI
1	REEL DRIVE	NAPĘD MOTOWIDŁA	1	834140M1	
2	REEL VARIATOR	NAPĘD MOTOWIDŁA	1	833768M1	X
3	REEL DRIVE	NAPĘD MOTOWIDŁA	1	834139M1	
4	WOBBLE BOX DRIVE	KOSA	1	834058M1	
4	WOBBLE BOX DRIVE	KOSA	1	834190M1	
4	WOBBLE BOX DRIVE	KOSA	1	842809M1	
5	TRACTION DRIVE	NAPĘD JAZDY	1	833858M4	X
5	HYDROSTATICS TRACTION DRIVE	HYDROSTATYCZNY NAPĘD JAZDY	1	833866M1	X
6	MAIN DRIVE	NAPĘD GŁÓWNY	1	833865M1	
7	AIR INTAKE	WENTYLATOR	1	833867M1	
8	GRAIN TANK UNLOADING	NAPĘD ZESPOŁU WYSYPU ZBIORNIKA ZBOŻOWEGO	1	833862M3	
9	COUNTERSHAFT SHOE - FAN	WAŁ POŚREDNI - WENTYLATOR	1	842851M1	
10	STRAW SPREADER	ROZTRZĄSACZ	1	842110M1	
11	STRAW WALKER	WYTRZĄSACZ	1	833860M1	
11	STRAW WALKER	WYTRZĄSACZ	1	843302M1	
12	SHAKER SHOE DRIVE	NAPĘD ZESPOŁU KOSZA SITOWEGO	1	833863M3	X
12	SHAKER SHOE DRIVE	NAPĘD ZESPOŁU KOSZA SITOWEGO	1	842419M1	
13	CLEANING FAN DRIVE	NAPĘD WIALNI CZYSZCZĄCEJ	1	842423M1	X
14	HYDRAULIC PUMP	POMPA HYDRAULICZNA	1	222882M2	
14	HYDRAULIC PUMP	POMPA HYDRAULICZNA	1	842413M1	
14	HYDRAULIC PUMP	POMPA HYDRAULICZNA	1	842464M2	
15	ALTERNATOR DRIVE	NAPĘD ALTERNATORA	1	842417M1	
16	ALTERNATOR DRIVE	NAPĘD ALTERNATORA	1	521404M1	
16	ALTERNATOR DRIVE	NAPĘD ALTERNATORA	1	842796M1	
17	RADIATOR FAN	NAPĘD WENTYLATORA CHŁODNICY	1	833869M1	
17	RADIATOR FAN	NAPĘD WENTYLATORA CHŁODNICY	1	833870M1	
17	RADIATOR FAN	NAPĘD WENTYLATORA CHŁODNICY	1	843008M1	
18	AIR CONDITIONING	NAPĘD KLIMATYZACJI	1	834492M2	
18	AIR CONDITIONING	NAPĘD KLIMATYZACJI	1	842463M1	
18	AIR CONDITIONING	NAPĘD KLIMATYZACJI	1	843045M1	
19	HYDROSTATIC REEL DRIVE	HYDROSTATYCZNE MOTOWIDŁA	1	842845M1	
21	STRAW CHOPPER	NAPĘD ROZDRABNIACZA SŁOMY	1	833871M1	
22	STRAW CHOPPER	NAPĘD ROZDRABNIACZA SŁOMY	1	832866M2	
23	STRAW CHOPPER	NAPĘD ROZDRABNIACZA SŁOMY	1	833872M1	
23	STRAW CHOPPER	NAPĘD ROZDRABNIACZA SŁOMY	1	843324M1	
24	RETURNS ELEVATOR	ELEVATOR KŁOSOWY	1	833854M2	

X - not in standard offer / brak w standardowej ofercie



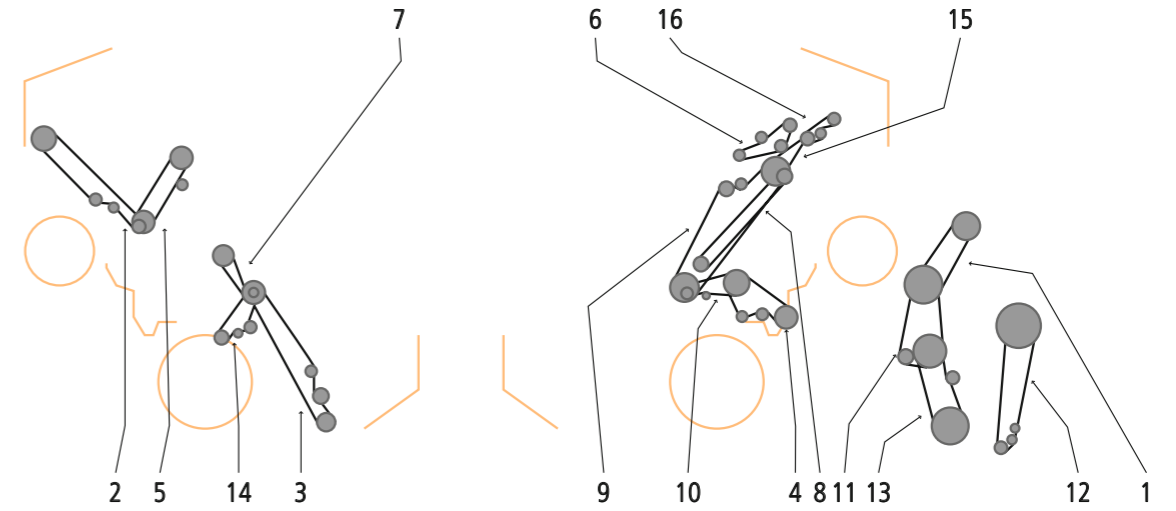
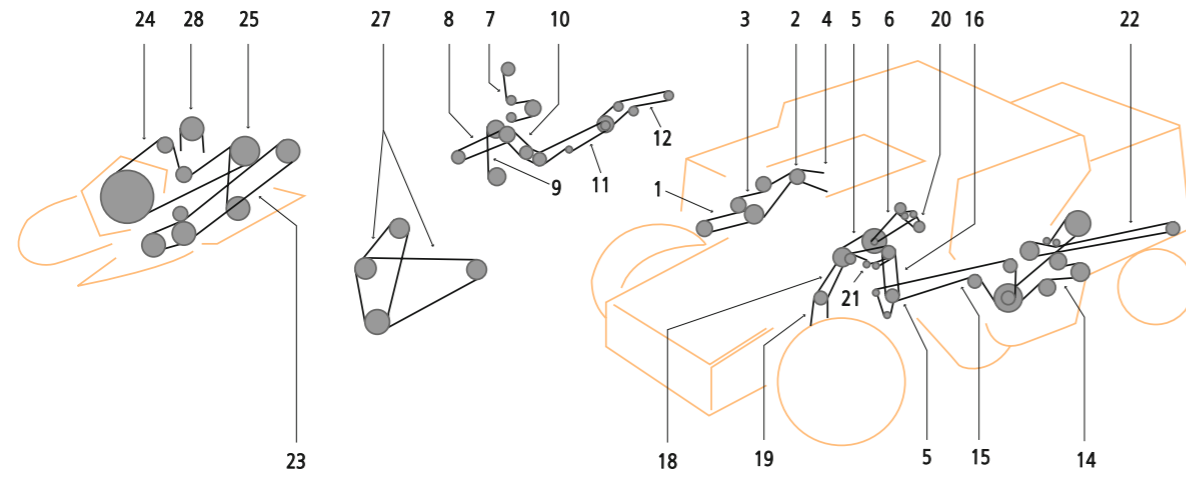
ITEM / POZYCJA	APPLICATION	OPIS	QUANTITY OF V-BELTS IN DRIVE / ILOŚĆ PASÓW W ZESPOLE	OE PART NUMBER / NUMER KATALOGOWY	COMMENT / UWAGI
1	HYDRAULIC PUMP	POMPA HYDRAULICZNA	1	842413M1	
2	RADIATOR FAN	NAPĘD WENTYLATORA CHŁODNICY	1	265522M91	
3	ALTERNATOR DRIVE	NAPĘD ALTERNATORA	1	844079M1	
4	AIR CONDITIONING (S/N > 25658)	KLIMATYZACJA	1	1614372M1	X
4	AIR CONDITIONING	NAPĘD KLIMATYZACJI	1	3386214M1	X
4	AIR CONDITIONING	NAPĘD KLIMATYZACJI	1	521110M1	X
4	AIR CONDITIONING (S/N < 25658)	KLIMATYZACJA	1	529964M1	
5	MAIN DRIVE	NAPĘD GŁÓWNY	1	833874M1	
5	MAIN DRIVE	NAPĘD GŁÓWNY	1	844475M1	X
6	ROTARY SCREEN COUNTERSHAFT	NAPĘD ZESPOŁU ROTORA KOSZA CHŁODNICY	1	154097M1	X
7	RETURNS ELEVATOR	ELEWATOR KŁOSOWY	1	833854M2	
8	CYLINDER DRIVE	NAPĘD BĘBNA MŁÓCĄCEGO	1	833868M1	X
9	HYDROSTATIC REEL	HYDROSTATYCZNE MOTOWIDŁA	1	842845M1	
10	STRAW CHOPPER, FRONT	SIECZKARNIA PRZEDNIA	1	843948M1	X
11	STRAW CHOPPER, CENTER	SIECZKARNIA POŚRED.	1	843747M1	
12	STRAW CHOPPER, REAR	SIECZKARNIA TYLNA	1	843760M1	
13	STRAW SPREADER, REAR	TYLNI ROZTRZĄSACZ	1	842110M1	
14	STRAW WALKER	WYTRZĄSACZ	1	843310M1	
15	SHAKER SHOE	NAPĘD ZESPOŁU KOSZA SITOWEGO	1	273757M91	
16	SHAKER SHOE - COUNTERSHAFT - FAN	WIALNIA GÓRNY	1	281560M1	
17	CLEANING FAN	NAPĘD WIALNI	1	833863M1	X
17	CLEANING FAN, SMALL SEED KIT	WIALNIA DOLNY	1	842423M1	X
18	TRACTION DRIVE - UPPER - 4 SPEED	NAPĘD JEZDNY GÓRNY, 4 PRĘDKOŚCI	1	833858M4	X
18	TRACTION, UPPER (S/N > 27544)	NAPĘD JEZDNY GÓRNY	1	833866M1	X
18	TRACTION HYDROSTATIC DRIVE - UPPER	NAPĘD JEZDNY HYDROSTATYCZNY GÓRNY	1	844077M1	X
19	TRACTION LOWER, 4 SPEED (S/N > 27544)	NAPĘD JEZDNY DOLNY, 4 PRĘDKOŚCI	1	280071M1	X
19	TRACTION DRIVE - LOWER - 4 SPEED	NAPĘD JEZDNY DOLNY, 4 PRĘDKOŚCI	1	833859M4	X
19	TRACTION HYDROSTATIC DRIVE - LOWER	NAPĘD JEZDNY HYDROSTATYCZNY DOLNY	1	833866M1	X
20	AIR INTAKE	WENTYLATOR	1	844307M1	X
21	TANK UNLOADER	WYSYP ZBOŻA	1	833873M1	
23	WOBBLE BOX, RIGID CUT BAR, SP. UP	KOSA	1	195671M1	
23	WOBBLE BOX, RIGID CUT BAR 22 FT. & 24 FT.	KOSA	1	210774M1	
23	WOBBLE BOX, FLOATING CUT BAR 22 FT.	KOSA	1	227455M1	
23	WOBBLE BOX, FLOATING CUT BAR 15 FT. - 20 FT.	KOSA	1	833962M1	
23	WOBBLE BOX, RIGID CUT BAR, 15 FT. - 24 FT.	KOSA	1	834190M1	
24	REEL	MOTOWIDŁO	1	834140M1	
25	REEL COUNTERSHAFT	MOTOWIDŁO	1	834139M1	
26	REEL VARIATOR	NAPĘD MOTOWIDŁA	1	833768M1	X

X - not in standard offer / brak w standardowej ofercie

ITEM / POZYCJA	APPLICATION	OPIS	QUANTITY OF V-BELTS IN DRIVE / ILOŚĆ PASÓW W ZESPOLE	OE PART NUMBER / NUMER KATALOGOWY	COMMENT / UWAGI
1	HYDRAULIC PUMP DRIVE	NAPĘD POMPY HYDRAULICZNEJ	1	842413M1	
2	RADIATOR AND FAN DRIVE	WENTYLATOR	1	259047M91	
2	RADIATOR AND FAN DRIVE	WENTYLATOR	1	284633M91	
3	ALTERNATOR DRIVE	ALTERNATOR	1	844079M1	
4	AIR CONDITIONING COMPRESSOR	NAPĘD KOMPRESORA KLIMATYZACJI	1	529964M1	
5	MAIN DRIVE	NAPĘD GŁÓWNY	1	833865M1	
6	ROTARY SCREEN COUNTERSHAFT	NAPĘD ZESPOŁU ROTORA KOSZA CHŁODNICY	1	833867M1	
7	RETURNS ELEVATOR	ELEWATOR KŁOSOWY	1	833854M2	
9	HYDRAULIC REEL DRIVE	HYDRAULIKA MOTOWIDŁA	1	842845M1	
10	FRONT STRAW CHOPPER	NAPĘD ROZDRABNIACZA SŁOMY	1	843948M1	X
11	STRAW CHOPPER, CENTER	SIECZKARNIA POŚRED.	1	843747M1	
12	STRAW CHOPPER REAR	SIECZKARNIA	1	843760M1	
12	STRAW CHOPPER REAR	SIECZKARNIA	1	844496M1	X
13	STRAW SPREADER, REAR	ROZTRZĄSACZ	1	842110M1	
14	STRAW WALKER DRIVE	NAPĘD WYTRZĄSACZY	1	843302M1	
15	SHAKER SHOE DRIVE	PODSIEWACZ	1	273757M91	
16	SHAKER SHOE - COUNTERSHAFT - FAN	WIALNIA GÓRNY	1	281560M1	
17	CLEANING FAN	WIALNIA DOLNY	1	833863M1	X
17	CLEANING FAN, SMALL SEED KIT	WIALNIA DOLNY	1	842423M1	X
18	TRACTION DRIVE - UPPER - 4 SPEED	NAPĘD JEZDNY GÓRNY, 4 PRĘDKOŚCI	1	833858M4	X
18	TRACTION DRIVE - UPPER	NAPĘD JEZDNY GÓRNY	1	833866M1	X
18	TRACTION DRIVE - UPPER	NAPĘD JEZDNY GÓRNY	1	844336M1	X
19	TRACTION DRIVE - LOWER - 4 SPEED	NAPĘD JEZDNY DOLNY, 4 PRĘDKOŚCI	1	833857M4	X
19	TRACTION DRIVE - LOWER - 4 SPEED	NAPĘD JEZDNY DOLNY, 4 PRĘDKOŚCI	1	833858M4	X
19	TRACTION DRIVE - LOWER	NAPĘD JEZDNY DOLNY	1	833866M1	X
19	TRACTION DRIVE - LOWER	NAPĘD JEZDNY DOLNY	1	844336M1	X
20	COUNTERSHAFT TO ROTARY SCREEN	WENTYLATOR	1	844306M1	
21	TANK UNLOADER	WYSYP ZBOŻA	1	833862M3	
22	WOBBLE BOX, FLOATING 22 FT.	KOSA 6,6 M	1	227455M1	
22	WOBBLE BOX, FLOATING 22 FT.	KOSA 6,6 M	1	832832M1	
22	WOBBLE BOX, FLOATING 15 FT. - 20 FT.	KOSA 4,5-6,0 M	1	833962M1	
23	WOBBLE BOX, RIGID CUT BAR 15 FT. - 20 FT. TABLE	KOSA 4,5-6,0 M	1	195671M1	
23	WOBBLE BOX, RIGID CUT BAR, 22 FT. & 24 FT. TABLE	KOSA 6,6-7,2 M	1	210774M1	
23	WOBBLE BOX DRIVE	KOSA	1	834190M1	
23	DRAPER TABLE	NAPĘD PRZENOŚNIKA	1	842809M1	
24	REEL COUNTERSHAFT	MOTOWIDŁO	1	834140M1	
25	REEL COUNTERSHAFT	MOTOWIDŁO	1	834139M1	
27	ALTERNATOR DRIVE	ALTERNATOR, POMPA WODY	1	844163M1	X

X - not in standard offer / brak w standardowej ofercie



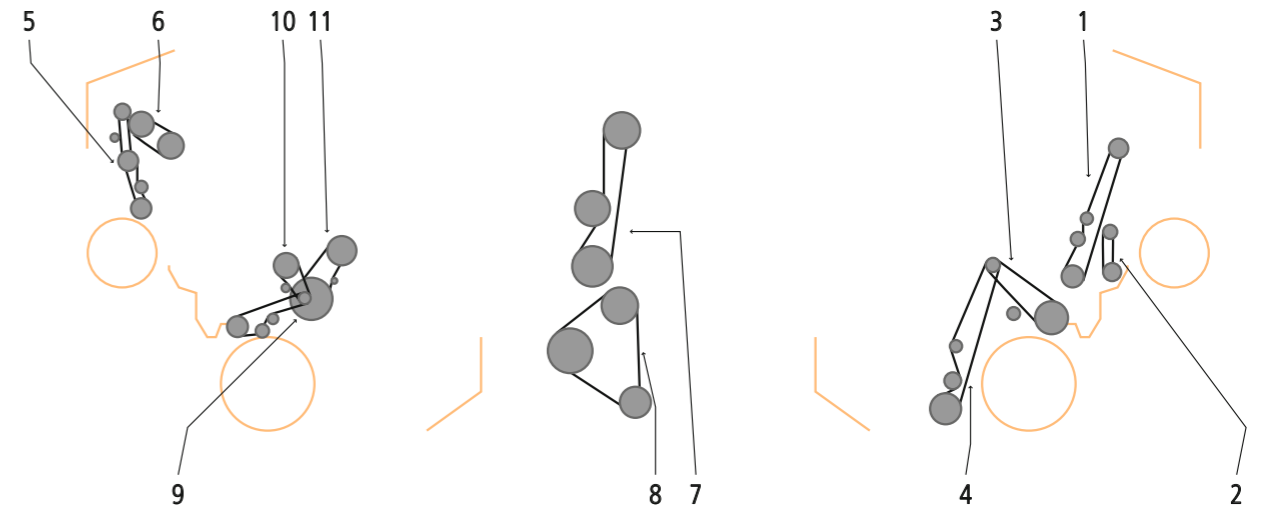
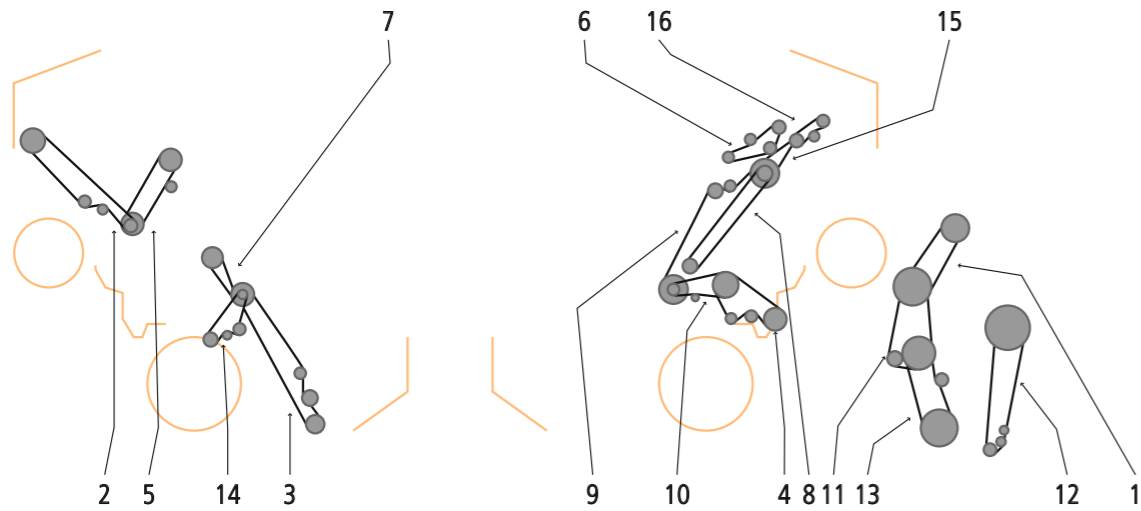


ITEM / POZYCJA	APPLICATION	OPIS	QUANTITY OF V-BELTS IN DRIVE / ILOŚĆ PASÓW W ZESPOLE	OE PART NUMBER / NUMER KATALOGOWY	COMMENT / UWAGI
1	REEL DRIVE	NAPĘD MOTOWIDŁA	1	211666M1	
2	REEL VARIATOR	NAPĘD MOTOWIDŁA	1	210627M1	
3	KNIFE DRIVE	NAPĘD KOSY	1	611353M1	
4	TANK UNLOADER	WYSYP ZBOŻA	1	610097M1	
4	TANK UNLOADER	WYSYP ZBOŻA	1	610846M1	
5	TANK UNLOADER	WYSYP ZBOŻA	1	610841M1	
6	TRACTION VARI-DRIVE	NAPĘD JAZDY	1	229863M1	X
7	REAR BEATER	TYLNI BĘBEN MŁÓCĄCY	1	610119M1	
7	REAR BEATER	TYLNI BĘBEN MŁÓCĄCY	1	612938M1	
8	BEATER BEHIND CYLINDER	NAPĘD BĘBNA MŁÓCĄCEGO	1	610506M1	
9	STRAW SPREADER	ROZTRZĄSACZ	1	610842M1	
10	STRAW WALKER	WYTRZĄSACZ	1	GT5027	X
11	FANNING MILL	WIALNIA	1	610470M1	
12	RADIATOR FAN	NAPĘD WENTYLATORA CHŁODNICY	1	610813M1	
12	RADIATOR FAN	NAPĘD WENTYLATORA CHŁODNICY	1	611588M1	
12	RADIATOR FAN	NAPĘD WENTYLATORA CHŁODNICY	1	612563M1	

X - not in standard offer / brak w standardowej ofercie

ITEM / POZYCJA	APPLICATION	OPIS	QUANTITY OF V-BELTS IN DRIVE / ILOŚĆ PASÓW W ZESPOLE	OE PART NUMBER / NUMER KATALOGOWY	COMMENT / UWAGI
1	AIR CONDITIONING COMPRESSOR	NAPĘD KOMPRESORA KLIMATYZACJI	1	525906M1	
2	SPREADER DRIVE	NAPĘD ROZTRZĄSACZA	1	168023W1	X
2	CHOPPER DRIVE	NAPĘD SIECZKARNI	1	178128W1	X
3	TABLE DRIVE FEEDER (3V) 218	NAPĘD PRZENOŚNIKA POZIOMEGO	1	2621170W1	
4	GRAIN ELEVATOR DRIVE	NAPĘD PRZENOŚNIKA ZIARNOWEGO	1	227455M1	
5	SPREADER JACKSHAFT DRIVE	NAPĘD WAŁKA POŚREDNIEGO ROZTRZĄSACZA	1	227455M1	
6	PROPULSION PUMP DRIVE	NAPĘD POMPY	1	9811830W2	
7	RETURN ELEVATOR DRIVE	NAPĘD PRZENOŚNIKA POWROTNEGO	1	619760W1	X
8	UNLOADER DRIVE	NAPĘD WYSYPU	1	101102M1	
9	BEATER DRIVE	NAPĘD MŁOCARNI	1	624390W1	X
10	SHAKER SHOE PITMAN DRIVE	NAPĘD WYTRZĄSACZA SŁOMY	1	2593000W1	
11	ALTERNATOR AND FAN DRIVE	NAPĘD ALTERNATORA I WENTYLATORA	1	2634420W1	X
12	ROTARY SCREEN DRIVE	NAPĘD KOSZA CHŁODNICY	1	1764410W1	
13	ROTARY SCREEN COUNTERSHAFT	NAPĘD ZESPOŁU ROTORA KOSZA CHŁODNICY	1	2634420W1	X
14	FAN DRIVE	NAPĘD WENTYLATORA	1	2612330W1	X
15	FEED IMPELLER DRIVE	NAPĘD PODAJNIKA	1	1594240W1	
16	ROTOR DRIVE	NAPĘD ROTORA	1	1669570W1	

X - not in standard offer / brak w standardowej ofercie

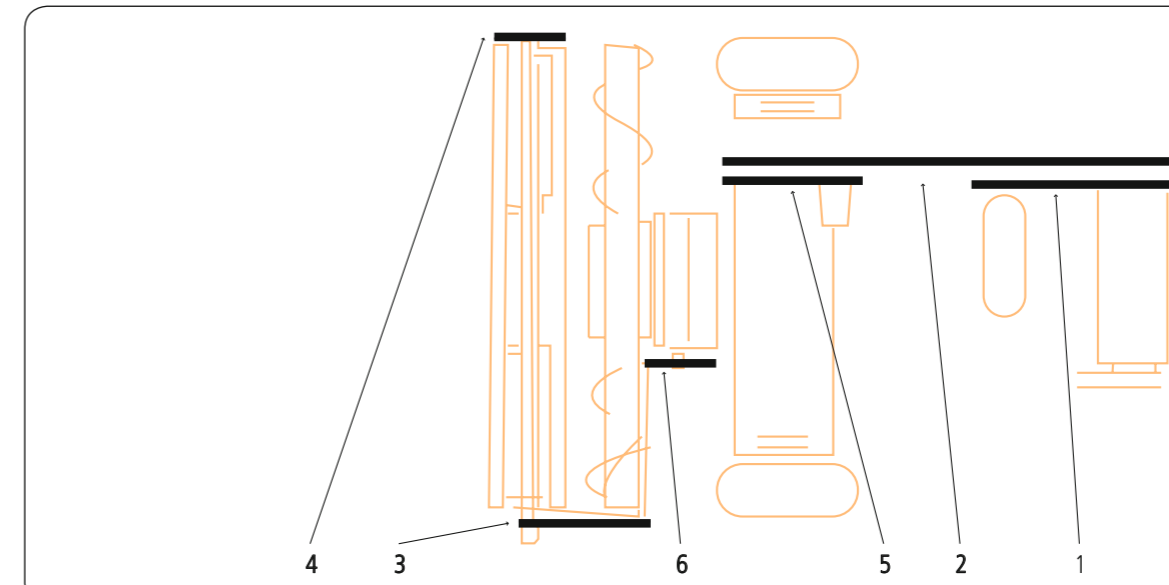
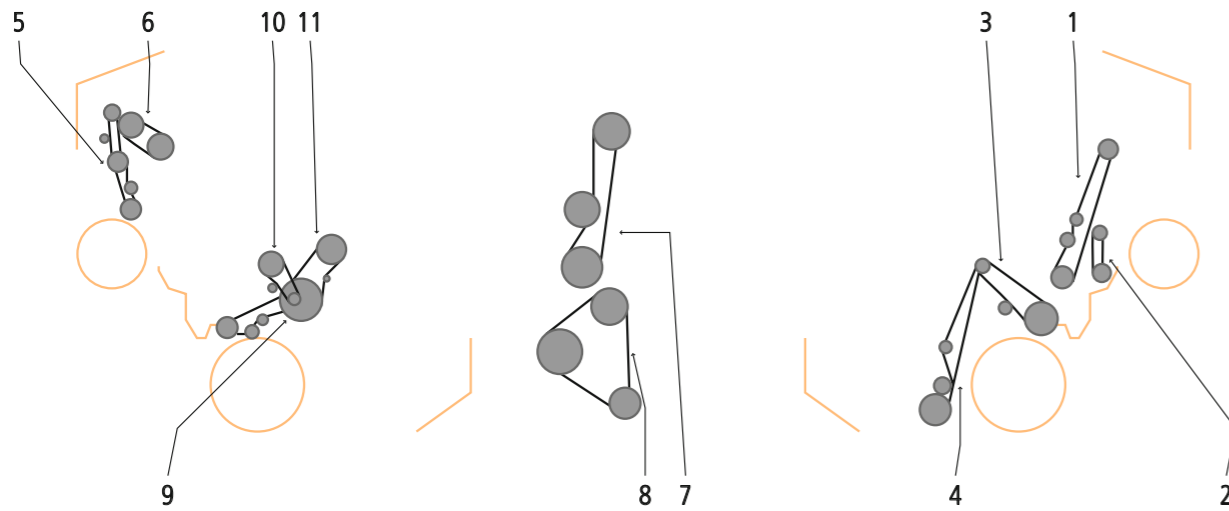


ITEM / POZYCJA	APPLICATION	OPIS	QUANTITY OF V-BELTS IN DRIVE / ILOŚĆ PASÓW W ZESPOLE	OE PART NUMBER / NUMER KATALOGOWY	COMMENT / UWAGI
1	AIR CONDITIONING COMPRESSOR	NAPĘD KOMPRESORA KLIMATYZACJI	1	531603M1	
2	CHOPPER DRIVE	NAPĘD SIECZKARNI	1	103320M1	
2	SPREADER DRIVE	NAPĘD ROZTRZĄSACZA	1	1680230W1	
3	HIGH CAPACITY FEEDER DRIVE	NAPĘD PRZENOŚNIKA POCHYLEGO	1	104072W1	
3	STANDARD FEEDER DRIVE	NAPĘD PRZENOŚNIKA POCHYLEGO	1	108190W1	
3	STANDARD FEEDER DRIVE	NAPĘD PRZENOŚNIKA POCHYLEGO	1	2621170W1	
4	GRAIN ELEVATOR DRIVE	NAPĘD PRZENOŚNIKA ZIARNOWEGO	1	227455M1	
5	CHOPPER JACKSHAFT	NAPĘD WAŁKA POŚREDNIEGO ROZDRABNIACZA SŁOMY	1	103319M1	
5	SPREADER JACKSHAFT DRIVE	NAPĘD WAŁKA POŚREDNIEGO ROZTRZĄSACZA	1	227455M1	
6	PROPULSION PUMP DRIVE	NAPĘD POMPY	1	104179W1	
6	PROPULSION PUMP (220HP ENGINE)	NAPĘD POMPY	1	9811830W2	
7	RETURN ELEVATOR DRIVE	NAPĘD PRZENOŚNIKA POWROTNEGO	1	2619760W1	
8	UNLOADER DRIVE	NAPĘD WYSYPU	1	101102M1	
9	BEATER DRIVE	NAPĘD MŁOCARNI	1	2624390W1	
10	SHAKER SHOE PITMAN DRIVE	NAPĘD WYTRZĄSACZA SŁOMY	1	2593000W1	
11	ALTERNATOR AND FAN DRIVE	NAPĘD ALTERNATORA I WENTYLATORA	1	1076753M1	X
11	ALTERNATOR DRIVE	NAPĘD ALTERNATORA	1	111677W1	X
12	ROTARY SCREEN DRIVE	NAPĘD KOSZA CHŁODNICY	1	1764410W1	
13	ROTARY SCREEN COUNTERSHAFT	NAPĘD ZESPOŁU ROTORA KOSZA CHŁODNICY	1	104259W1	
13	ROTARY SCREEN COUNTERSHAFT	NAPĘD ZESPOŁU ROTORA KOSZA CHŁODNICY	1	2624080W1	
14	FAN DRIVE	NAPĘD WENTYLATORA	1	2612330W1	X
15	MAIN COUNTERSHAFT DRIVE	WAŁ POŚREDNI GŁÓWNEGO NAPĘDU	1	104180W1	
15	MAIN COUNTERSHAFT DRIVE	WAŁ POŚREDNI GŁÓWNEGO NAPĘDU	1	1594240W1	
16	ROTOR PUMP DRIVE	NAPĘD ROTORA POMPY	1	9811830W2	

X - not in standard offer / brak w standardowej ofercie

ITEM / POZYCJA	APPLICATION	OPIS	QUANTITY OF V-BELTS IN DRIVE / ILOŚĆ PASÓW W ZESPOLE	OE PART NUMBER / NUMER KATALOGOWY	COMMENT / UWAGI
1	UNLOADER DRIVE	NAPĘD WYSYPU	1	2496110W1	X
2	GRAIN ELEVATOR DRIVE	NAPĘD PRZENOŚNIKA ZIARNOWEGO	1	2439700W1	X
3	SHAKER SHOE PITMAN DRIVE	NAPĘD WYTRZĄSACZA SŁOMY	1	2439710W1	X
4	HEAD COUNTERSHAFT DRIVE	WAŁ POŚREDNI GŁÓWNEGO NAPĘDU	1	2523670W1	X
5	CHOPPER DRIVE	NAPĘD SIECZKARNI	1	2553480W1	X
6	ROTOR DRIVE	NAPĘD ROTORA	1	2445370W1	X
7	STRAW SPREADER	ROZTRZĄSACZ	1	2543960W1	X
8	STRAW SPREADER (SECONDARY)	ROZTRZĄSACZ (WTÓRNY)	1	2543970W1	X
9	CLEANING FAN DRIVE	NAPĘD WIALNI CZYSZCZĄCEJ	1	2439720W1	X
10	RETURN ELEVATOR DRIVE	NAPĘD PRZENOŚNIKA POWROTNEGO	1	2492070W1	X
11	FEED IMPELLER DRIVE	NAPĘD PODAJNIKA	1	1594240W1	

X - not in standard offer / brak w standardowej ofercie

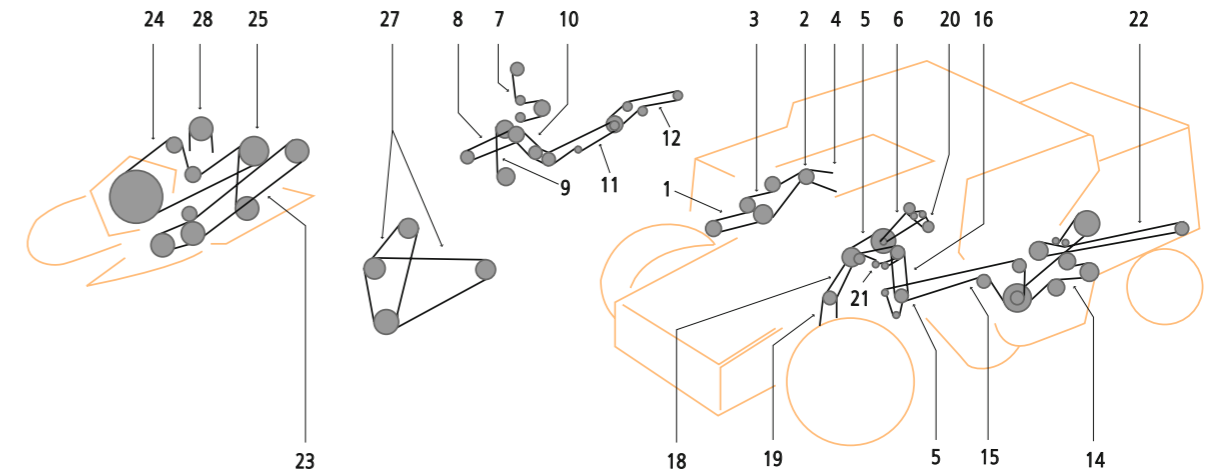
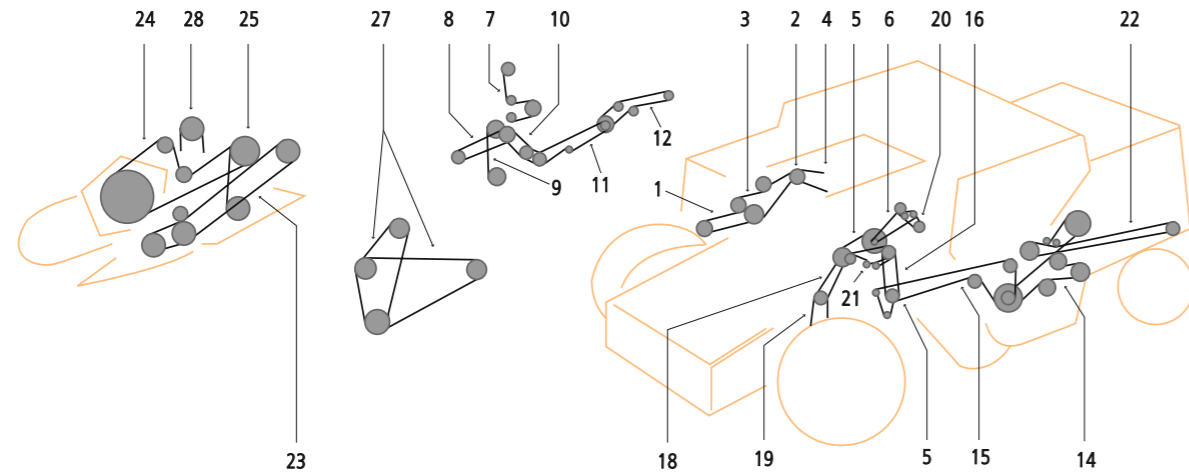


ITEM / POZYCJA	APPLICATION	OPIS	QUANTITY OF V-BELTS IN DRIVE / ILOŚĆ PASÓW W ZESPOLE	OE PART NUMBER / NUMER KATALOGOWY	COMMENT / UWAGI
1	UNLOADER DRIVE	NAPĘD WYSYPU	1	2496110W1	X
1	HEAD COUNTERSHAFT DRIVE	WAŁ POŚREDNI GŁÓWNEGO NAPĘDU	1	31-253670	X
2	GRAIN ELEVATOR DRIVE	NAPĘD PRZENOŚNIKA ZIARNOWEGO	1	2439700W1	X
2	PITMAN DRIVE	NAPĘD WYTRZĄSACZA SŁOMY	1	31-249710	X
3	SHAKER SHOE PITMAN DRIVE	NAPĘD WYTRZĄSACZA SŁOMY	1	2439710W1	X
3	GRAIN ELEVATOR DRIVE (PRIMARY)	NAPĘD PRZENOŚNIKA ZIARNOWEGO (GŁÓWNY)	1	31-2439700	
4	HEAD COUNTERSHAFT DRIVE	WAŁ POŚREDNI GŁÓWNEGO NAPĘDU	1	2523670W1	X
4	UNLOADER DRIVE (SECONDARY)	NAPĘD ŚLIMAKA WYSYPU ZBIORNIKA (DODATKOWY)	1	31-2496110	
5	CHOPPER DRIVE	NAPĘD SIECZKARNI	1	2553480W1	X
5	ROTARY SCREEN DRIVE	NAPĘD KOSZA CHŁODNICY	1	31-2448930	
6	ROTOR DRIVE	NAPĘD ROTORA	1	2445370W1	X
6	AIR CONDITIONING COMPRESSOR	NAPĘD KOMPRESORA KLIMATYZACJI	1	31-2498110	X
7	STRAW SPREADER	ROZTRZĄSACZ	1	2543960W1	X
7	ALTERNATOR DRIVE	NAPĘD ALTERNATORA	1	31-2403270	X
8	STRAW SPREADER (SECONDARY)	ROZTRZĄSACZ (WTÓRNY)	1	2543970W1	X
8	WATER PUMP DRIVE	NAPĘD POMPY WODNEJ	1	31-2414670	
9	CLEANING FAN DRIVE	NAPĘD WIALNI CZYSZCZĄCEJ	1	2439720W1	X
9	RADIATOR FAN AND COUNTERSHAFT DRIVE	WENTYLATOR CHŁODNICY - WAŁ POŚREDNI	1	31-2449290	
10	RETURN ELEVATOR DRIVE	NAPĘD PRZENOŚNIKA POWROTNEGO	1	2492070W1	X
10	HYDRAULIC PUMP DRIVE	NAPĘD POMPY HYDRAULICZNEJ	1	31-2604010	X
11	FEED IMPELLER DRIVE	NAPĘD PODAJNIKA	1	1594240W1	
11	HYDROSTATIC PUMP DRIVE	NAPĘD POMPY HYDROSTATYCZNEJ	1	31-2449520	
12	UNLOADER DRIVE (PRIMARY)	NAPĘD ŚLIMAKA WYSYPU ZBIORNIKA (PODSTAWOWY)	1	31-2605020	
13	THRESHING DRIVE	NAPĘD MŁOCARNI	1	31-2404170	
14	STRAW SPREADER (PRIMARY)	ROZTRZĄSACZ (PODSTAWOWY)	1	31-2543960	
15	STRAW SPREADER (SECONDARY)	ROZTRZĄSACZ (WTÓRNY)	1	31-2543970	
16	CLEANING FAN DRIVE	NAPĘD WIALNI CZYSZCZĄCEJ	1	31-2439720	X
17	FEED IMPELLER DRIVE	NAPĘD PODAJNIKA	1	31-1594240	
18	RETURN ELEVATOR DRIVE	NAPĘD PRZENOŚNIKA POWROTNEGO	1	31-2492070	
19	CROP CHOPPER DRIVE	NAPĘD SIECZKARNI	1	31-2553480	
20	ROTOR DRIVE	NAPĘD ROTORA	1	31-2445370	X

X - not in standard offer / brak w standardowej ofercie

ITEM / POZYCJA	APPLICATION	OPIS	QUANTITY OF V-BELTS IN DRIVE / ILOŚĆ PASÓW W ZESPOLE	OE PART NUMBER / NUMER KATALOGOWY	COMMENT / UWAGI
1	TRACTION DRIVE	NAPĘD JAZDY	1	1056409M1	
1	TRACTION DRIVE	NAPĘD JAZDY	1	1056409M1	
1	TRACTION DRIVE	NAPĘD JAZDY	1	1056409M1	
1	TRACTION DRIVE	NAPĘD JAZDY	1	1056409M1	
1	TRACTION DRIVE	NAPĘD JAZDY	1	1056409M1	
1	TRACTION DRIVE	NAPĘD JAZDY	1	1056409M1	

X - not in standard offer / brak w standardowej ofercie

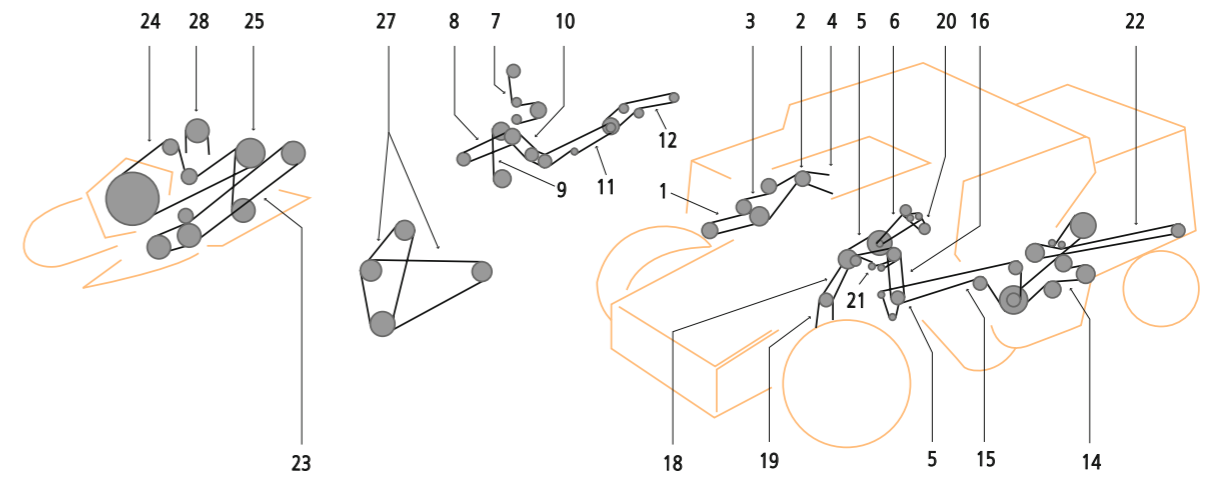
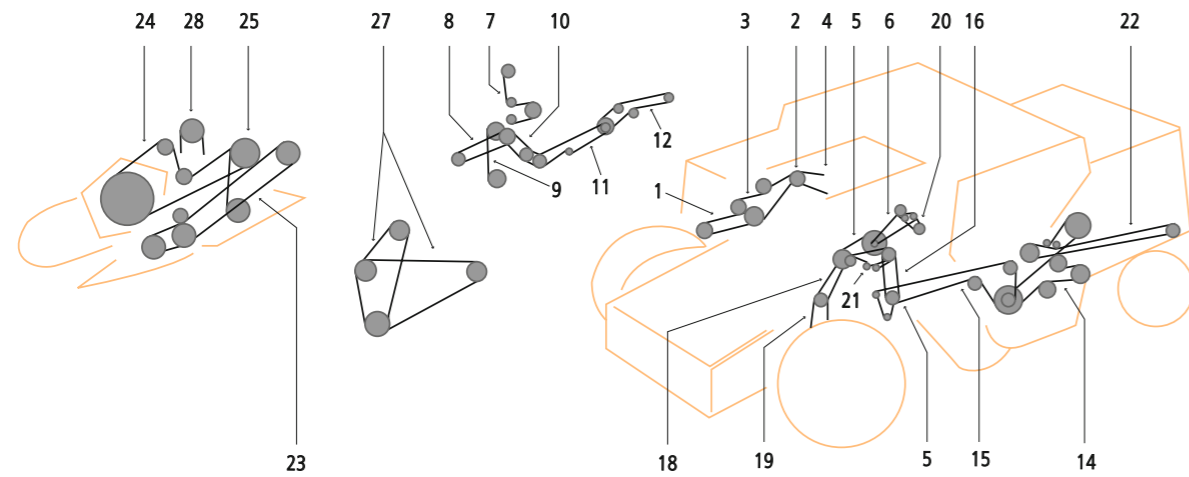


ITEM / POZYCJA	APPLICATION	OPIS	QUANTITY OF V-BELTS IN DRIVE / ILOŚĆ PASÓW W ZESPOLE	OE PART NUMBER / NUMER KATALOGOWY	COMMENT / UWAGI
1	FEEDER DRUM - COUNTERSHAFT	NAPĘD BĘBNA WCIĄGAJĄCEGO	1	41983500	
2	CRANKSHAFT - COUNTERSHAFT	NAPĘD NOŻY - WAŁ POŚREDNI	1	41964300	
3	COUNTERSHAFT - UPPER FEEDER SHAFT	GÓRNY PRZENOŚNIK	1	41989200	
3	COUNTERSHAFT - UPPER FEEDER SHAFT	GÓRNY PRZENOŚNIK	1	41989400	
4	UPPER FEEDER SHAFT - STRIPPER BEATER	GÓRNY PRZENOŚNIK	1	41991700	
7	INTERMEDIATE SHAFT - ECCENTRIC SHAFT	WAŁEK POŚREDNI - MIMOŚRODOWY	1	41982400	
8	GRAIN AUGER - LOWER RETURN AUGER	NAPĘD PRZENOŚNIKA ŚLIMAKOWEGO	1	41990100	
8	GRAIN AUGER - LOWER RETURN AUGER	NAPĘD PRZENOŚNIKA ŚLIMAKOWEGO	1	41990200	
9	INTERMEDIATE SHAFT - COUNTER SELECTOR	PRZENOŚNIK POCHYŁY	1	41987800	
9	COUNTER SELECTOR - INTERMEDIATE SHAFT	SELEKTOR - WAŁ POŚREDNI	1	41988000	
10	STRIPPER BEATER - COUNTER SELECTOR	BĘBEN MŁOČĄCY	3	41934800	
11	COUNTER SELECTOR - ENGINE	SELEKTOR - SILNIK	1	41993400	
12	ENGINE - HYDRAULIC PUMP	SILNIK - POMPA HYDRAULICZNA	1	41929000	
12	ENGINE - HYDRAULIC PUMP	SILNIK - POMPA HYDRAULICZNA	1	41930200	
13	COUNTER SELECTOR - COUNTER DRIVE STRAW CHOPPER	NAPĘD ROZDRABNIACZA SŁOMY	1	41942100	
14	COUNTER DRIVE STRAW CHOPPER	NAPĘD POMOCNICZY	1	41987300	
15	AWNER SHAFT	NAPĘD ŻUBROWNIKA	1	41912400	
16	COUNTER SELECTOR - MAIN FAN	SELEKTOR - GŁÓWNA WIALNIA	1	41980400	
17	COUNTER SELECTOR - AWNER SHAFT	NAPĘD ŻUBROWNIKA	1	41990200	
18	COUNTER SELECTOR - DISCHARGE AUGER	NAPĘD WYSYPU ZBIORNIKA	2	41936200	
20	FILLING AUGER - STRIPPER BEATER	ŚLIMAK ZAŁADUNKU - BĘBEN MŁOČĄCY	1	41982500	
24	AWNER SHAFT - SEED GRINDER	NAPĘD ŻUBROWNIKA	1	41929100	
25	MAIN FAN SELECTOR - STRIPPER BEATER	GŁÓWNA WIALNIA	1	41987900	
28	MAIN FAN SELECTOR - MAIN FAN	GŁÓWNA WIALNIA	1	41982200	
28	MAIN FAN SELECTOR - MAIN FAN	GŁÓWNA WIALNIA	1	41987900	

X - not in standard offer / brak w standardowej ofercie

ITEM / POZYCJA	APPLICATION	OPIS	QUANTITY OF V-BELTS IN DRIVE / ILOŚĆ PASÓW W ZESPOLE	OE PART NUMBER / NUMER KATALOGOWY	COMMENT / UWAGI
1	FEEDER DRUM - COUNTERSHAFT	NAPĘD BĘBNA WCIĄGAJĄCEGO	1	41983500	
1	FEEDER DRUM - COUNTERSHAFT	NAPĘD BĘBNA WCIĄGAJĄCEGO	1	41983600	
2	CRANKSHAFT - COUNTERSHAFT	NAPĘD NOŻY - WAŁ POŚREDNI	1	41963900	
2	CRANKSHAFT - COUNTERSHAFT	NAPĘD NOŻY - WAŁ POŚREDNI	1	41964300	
3	COUNTERSHAFT - UPPER FEEDER SHAFT	GÓRNY PRZENOŚNIK	1	41989200	
3	COUNTERSHAFT - UPPER BEATER SHAFT	WAŁEK POŚREDNI - GÓRNA MŁOCARNIA	1	41989400	
4	UPPER FEEDER SHAFT - STRIPPER BEATER	GÓRNY PRZENOŚNIK	1	41991700	
7	INTERMEDIATE SHAFT - ECCENTRIC SHAFT	WAŁEK POŚREDNI - MIMOŚRODOWY	1	41982400	
7	INTERMEDIATE SHAFT - ECCENTRIC SHAFT	WAŁEK POŚREDNI - MIMOŚRODOWY	1	41982500	
8	GRAIN AUGER - LOWER RETURN AUGER	NAPĘD PRZENOŚNIKA ŚLIMAKOWEGO	1	41990100	
8	GRAIN AUGER - LOWER RETURN AUGER	NAPĘD PRZENOŚNIKA ŚLIMAKOWEGO	1	41990200	
8	GRAIN AUGER - LOWER RETURN AUGER	NAPĘD PRZENOŚNIKA ŚLIMAKOWEGO	1	41990300	X
8	GRAIN AUGER - LOWER RETURN AUGER	NAPĘD PRZENOŚNIKA ŚLIMAKOWEGO	1	41990400	
9	COUNTER SELECTOR - INTERMEDIATE SHAFT	SELEKTOR - WAŁ POŚREDNI	1	41987800	
9	COUNTER SELECTOR - INTERMEDIATE SHAFT	SELEKTOR - WAŁ POŚREDNI	1	41988000	
10	STRIPPER BEATER - COUNTER SELECTOR	BĘBEN MŁOČĄCY	3	41934800	
11	COUNTER SELECTOR - ENGINE	SELEKTOR - SILNIK	1	41993400	
12	ENGINE - HYDRAULIC PUMP	SILNIK - POMPA HYDRAULICZNA	1	41929000	
12	ENGINE - HYDRAULIC PUMP	SILNIK - POMPA HYDRAULICZNA	1	41930200	
13	COUNTER SELECTOR - COUNTER DRIVE STRAW CHOPPER	NAPĘD ROZDRABNIACZA SŁOMY	1	41942100	
14	COUNTER DRIVE STRAW CHOPPER	NAPĘD POMOCNICZY	1	41987300	
15	AWNER SHAFT	NAPĘD ŻUBROWNIKA	1	41912300	
15	AWNER SHAFT	NAPĘD ŻUBROWNIKA	1	41912400	
16	COUNTER SELECTOR - THRESHING DRUM	NAPĘD WAŁKA POŚREDNIEGO MŁOCARNI	1	41980900	
17	COUNTER SELECTOR - AWNER SHAFT	NAPĘD ŻUBROWNIKA	1	41990200	
17	COUNTER SELECTOR - AWNER SHAFT	NAPĘD ŻUBROWNIKA	1	41990400	
18	COUNTER SELECTOR - DISCHARGE AUGER	NAPĘD WYSYPU ZBIORNIKA	2	41936200	
20	FILLING AUGER - STRIPPER BEATER	ŚLIMAK ZAŁADUNKU - BĘBEN MŁOČĄCY	1	41982500	
24	AWNER SHAFT - SEED GRINDER	NAPĘD ŻUBROWNIKA	1	41929100	
25	MAIN FAN VARIATOR - STRIPPER BEATER	GŁÓWNA WIALNIA	1	41987900	
28	MAIN FAN SELECTOR - MAIN FAN	GŁÓWNA WIALNIA	1	41982100	
28	MAIN FAN SELECTOR - MAIN FAN	GŁÓWNA WIALNIA	1	41982200	
28	MAIN FAN VARIATOR - MAIN FAN	GŁÓWNA WIALNIA	1	41987900	

X - not in standard offer / brak w standardowej ofercie



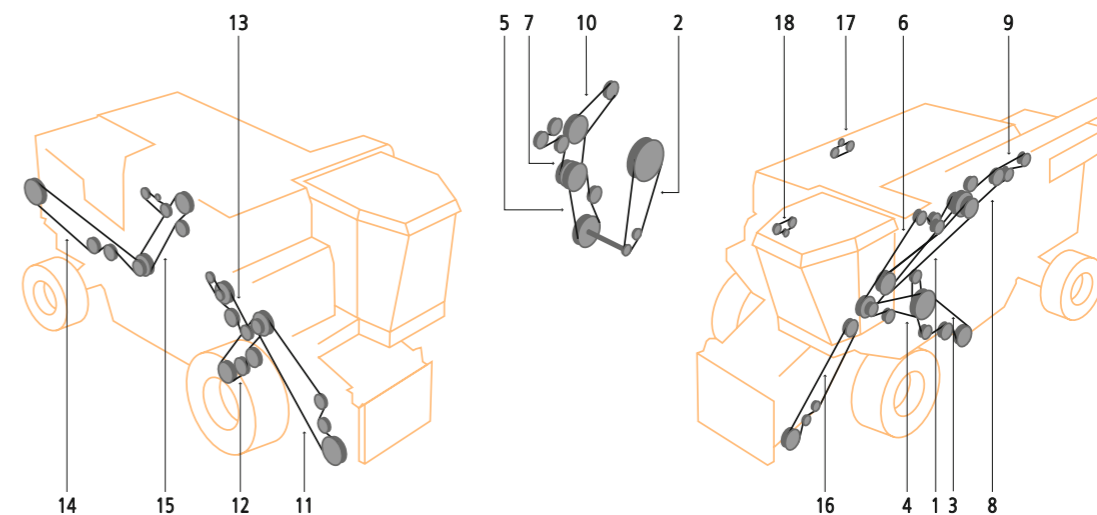
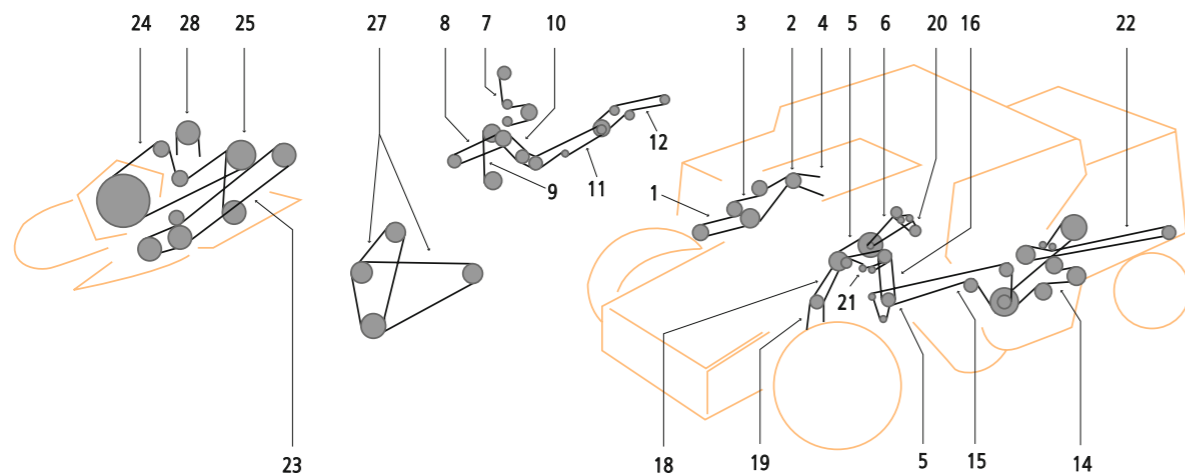
ITEM / POZYCJA	APPLICATION	OPIS	QUANTITY OF V-BELTS IN DRIVE / ILOŚĆ PASÓW W ZESPOLE	OE PART NUMBER / NUMER KATALOGOWY	COMMENT / UWAGI
1	STRIPPER BEATER - COUNTERSHAFT	BĘBEN MŁÓCĄCY	3	D41934800	
2	COUNTERSHAFT - DIESEL ENGINE	WAŁ POŚREDNI - SILNIK	1	D41990051	
3	DISCHARGE AUGER SHAFT - DIESEL ENGINE	NAPĘD WYSYPU ZBIORNIKA	1	D41990050	
4	DIESEL ENGINE - TRACTION PUMP	SILNIK - POMPA JAZDY	1	D41934000	
5	COUNTERSHAFT - INTERMEDIATE DRIVE F. STRAW	NAPĘD POŚREDNI	1	D41942200	
6	KNIFE DRIVE - COUNTERSHAFT	NAPĘD KOSY	1	D41985600	
7	FEEDER DRUM	NAPĘD BĘBNA WCIĄGAJACEGO	1	D42329300	X
8	COUNTERSHAFT - UPPER FEEDER SHAFT	GÓRNY PRZENOŚNIK	1	D42329600	X
9	UPPER FEEDER SHAFT - STRIPPER BEATER	GÓRNY PRZENOŚNIK	1	D41991700	
10	INTERMEDIATE SHAFT - ECCENTRIC SHAFT	WAŁEK POŚREDNI - MIMOŚRODOWY	1	D41982100	
11	INTERMEDIATE SHAFT - COUNTERSHAFT	NAPĘD POŚREDNI PRZENOŚNIKA	1	D41984100	
12	INTERMEDIATE SHAFT - STRAW SHAKER CRANK	WAŁEK POŚREDNI - WYTRZĄSACZ	1	D41990068	
13	INTER.DRIVE.CHOPPER - STRAW CHOPPER	NAPĘD ROZDRABNIACZA SŁOMY	1	D41978400	
14	KNIFE DRIVE - COUNTERSHAFT	NAPĘD KOSY	1	D41986300	
16	COUNTERSHAFT - FEEDER DRUM	WAŁ POŚREDNI - MŁOCARNIA	1	D42329200	X
17	AIR CONDITIONING	NAPĘD KLIMATYZACJI	1	D41991000	
19	AIR CONDITIONING	KLIMATYZACJA	1	D41990009	
20	DUST EXTRACTOR - COUNTERSHAFT	ODPYLACZ - WAŁEK POŚREDNI	1	D41936700	
21	DISCHARGE AUGER SHAFT	NAPĘD WYSYPU ZBIORNIKA	1	D41979600	
22	FILLING ELEVATOR	NAPĘD ZESPOŁU ZAŁADUNKU	1	D42327300	X
23	INTERMEDIATE DRIVE F. FILL ELEVATOR - STRIP BEATER	NAPĘD POŚREDNI ZAŁADUNKU	1	D41950100	
24	INTERMEDIATE DRIVE F. ELEVATOR - DIESEL ENGINE	NAPĘD POŚREDNI ZAŁADUNKU	1	D42329000	X
25	COUNTERSHAFT - GRAIN SEPARATOR	WAŁ POŚREDNI - SEPARATOR	1	D41982100	
26	MAIN FAN VARIATOR - MAIN FAN	GLÓWNA WIALNIA	1	D41982100	
27	MAIN FAN VARIATOR - STRIPPER BEATER	GLÓWNA WIALNIA	1	D41987900	
28	COUNTERSHAFT - THRESHING DRUM	WAŁ POŚREDNI - BĘBEN MŁÓCĄCY	1	D41980900	
29	MAIN FAN VARIATOR - RETURN ELEVATOR	GLÓWNA WIALNIA	1	D41950400	
30	RETURN ELEVATOR - MAIN FAN	NAPĘD PRZENOŚNIKA POWROTNEGO	1	D42328400	X
32	UPPER FEEDER SHAFT - STRIPPER BEATER	GÓRNY PRZENOŚNIK	1	D42333300	X

X - not in standard offer / brak w standardowej ofercie

ITEM / POZYCJA	APPLICATION	OPIS	QUANTITY OF V-BELTS IN DRIVE / ILOŚĆ PASÓW W ZESPOLE	OE PART NUMBER / NUMER KATALOGOWY	COMMENT / UWAGI
1	COUNTERSHAFT - FEEDER DRUM	WAŁ POŚREDNI - MŁOCARNIA	1	D41983500	
1	COUNTERSHAFT - FEEDER DRUM	WAŁ POŚREDNI - MŁOCARNIA	1	D41983600	
2	COUNTERSHAFT - CRANKSHAFT	NAPĘD NOŻY - WAŁ POŚREDNI	1	D41963900	
2	COUNTERSHAFT - CRANKSHAFT	NAPĘD NOŻY - WAŁ POŚREDNI	1	D41964300	
3	COUNTER SHAFT - STRIPPER BEATER	NAPĘD POŚREDNI	1	D41989200	
3	COUNTER SHAFT - STRIPPER BEATER	NAPĘD POŚREDNI	1	D41989400	
4	UPPER FEEDER SHAFT - STRIPPER BEATER	GÓRNY PRZENOŚNIK	1	D41991700	
7	INTERMEDIATE SHAFT - ECCENTRIC SHAFT	WAŁEK POŚREDNI - MIMOŚRODOWY	1	D41982400	
7	INTERMEDIATE SHAFT - ECCENTRIC SHAFT	WAŁEK POŚREDNI - MIMOŚRODOWY	1	D41982500	
8	GRAIN AUGER - LOWER RETURN AUGER	NAPĘD PRZENOŚNIKA ŚLIMAKOWEGO	1	D41990069	
8	GRAIN AUGER - LOWER RETURN AUGER	NAPĘD PRZENOŚNIKA ŚLIMAKOWEGO	1	D41990100	
8	GRAIN AUGER - LOWER RETURN AUGER	NAPĘD PRZENOŚNIKA ŚLIMAKOWEGO	1	D41990300	X
8	GRAIN AUGER - LOWER RETURN AUGER	NAPĘD PRZENOŚNIKA ŚLIMAKOWEGO	1	D41990400	
9	COUNTER SELECTOR - INTERMEDIATE SHAFT	NAPĘD POŚREDNI	1	D41987800	
9	COUNTER SELECTOR - INTERMEDIATE SHAFT	NAPĘD POŚREDNI	1	D41988000	
10	STRIPPER BEATER - COUNTER SELECTOR	BĘBEN MŁÓCĄCY	3	D41934800	
11	COUNTER SELECTOR - ENGINE	SELEKTOR - SILNIK	1	D41991300	
11	COUNTER SELECTOR - ENGINE	SELEKTOR - SILNIK	1	D41993400	
12	ENGINE - HYDRAULIC PUMP	SILNIK - POMPA HYDRAULICZNA	1	D41930200	
13	COUNTER SELECTOR - COUNTER DRIVE STRAW CHOPPER	NAPĘD ROZDRABNIACZA SŁOMY	1	D41942100	
14	COUNTER DRIVE STRAW CHOPPER	NAPĘD POMOCNICZY	1	D41987600	
15	AWNER SHAFT	NAPĘD ŻUBROWNIKA	1	D41912300	
15	AWNER SHAFT	NAPĘD ŻUBROWNIKA	1	D41912400	
16	COUNTER SELECTOR - THRESHING DRUM	WAŁ POŚREDNI - BĘBEN MŁÓCĄCY	1	D41980900	
17	COUNTER SELECTOR - AWNER SHAFT	NAPĘD ŻUBROWNIKA	1	D41990069	
17	COUNTER SELECTOR - AWNER SHAFT	NAPĘD ŻUBROWNIKA	1	D41990400	
18	COUNTER SELECTOR - DISCHARGE AUGER	NAPĘD WYSYPU ZBIORNIKA	2	D41936200	
20	FILLING AUGER - STRIPPER BEATER	ŚLIMAK ZAŁADUNKU - BĘBEN MŁÓCĄCY	1	D41982500	
24	AWNER SHAFT - SEED GRINDER	NAPĘD ŻUBROWNIKA	1	D41929100	
25	MAIN FAN SELECTOR - STRIPPER BEATER	GLÓWNA WIALNIA	1	D41987900	
28	MAIN FAN SELECTOR - MAIN FAN	GLÓWNA WIALNIA	1	D41982100	
28	MAIN FAN SELECTOR - MAIN FAN	GLÓWNA WIALNIA	1	D41982200	
28	MAIN FAN SELECTOR - MAIN FAN	GLÓWNA WIALNIA	1	D41987900	

X - not in standard offer / brak w standardowej ofercie





ITEM / POZYCJA	APPLICATION	OPIS	QUANTITY OF V-BELTS IN DRIVE / ILOŚĆ PASÓW W ZESPOLE	OE PART NUMBER / NUMER KATALOGOWY	COMMENT / UWAGI
1	STRIPPER BEATER - COUNTERSHAFT	BĘBEN MŁÓCĄCY	1	D41979900	
2	DIESEL ENGINE - COUNTERSHAFT	WAŁ POŚREDNI - SILNIK	1	D41979400	
3	DISCHARGE AUGER SHAFT - DIESEL ENGINE	NAPĘD WYSYPU ZBIORNIKA	1	D41979100	
4	DIESEL ENGINE - TRACTION PUMP	SILNIK - POMPA JAZDY	1	D41934200	
5	COUNTER SHAFT - INTERMEDIATE DRIVE F:STRAW	NAPĘD POŚREDNI	1	D41979600	
6	INTERMEDIATE DRIVE F:STRAW - STRAW CHOPPER	NAPĘD POŚREDNI ROZDRABNIACZA SŁOMY	1	D41978900	
7	KNIFE DRIVE - COUNTERSHAFT	KOSA	1	D41985600	
7	KNIFE DRIVE - COUNTERSHAFT	NAPĘD KOSY	1	D41986200	
8	FEEDER DRUM - COUNTERSHAFT	NAPĘD BĘBNA WCIĄGAJĄCEGO	1	D42329300	X
9	COUNTER SHAFT - UPPER FEEDER SHAFT	GÓRNY PRZENOŚNIK	1	D42329600	X
10	STRIPPER BEATER	BĘBEN MŁÓCĄCY	1	D41979800	
11	STRIPPER BEATER - INTERMEDIATE SHAFT	BĘBEN MŁÓCĄCY	1	D41990001	
12	INTERMEDIATE SHAFT - ECCENTRIC SHAFT	WAŁEK POŚREDNI - MIMOŚRODOWY	1	D41933700	
13	INTERMEDIATE SHAFT - STRAW SHAKER CRANK	WAŁEK POŚREDNI - WYTRZĄSACZ	1	D41979000	
14	KNIFE DRIVE - COUNTERSHAFT	NAPĘD KOSY	1	D41986300	
15	FEEDER DRUM	NAPĘD BĘBNA WCIĄGAJĄCEGO	1	D42329400	X
15	FEEDER DRUM	NAPĘD BĘBNA WCIĄGAJĄCEGO	1	D42332800	X
16	COUNTER SHAFT - FEEDER DRUM	NAPĘD POŚREDNI	1	D42329200	X
17	SUCTION TRAINER - DUST EXTRACTOR	FILTR	1	D41911000	
18	SUCTION TRAINER - DUST EXTRACTOR	FILTR	1	D41991200	
19	INTERMEDIATE DRIVE F: FILL ELEVATOR	NAPĘD POŚREDNI ZAŁADUNKU	1	D41986100	
20	DUST EXTRACTOR - FILL ELEVATOR	ODPYLACZ - WYSYP	1	D41998800	
21	FILLING ELEVATOR	NAPĘD ZESPOŁU ZAŁADUNKU	1	D42328200	X
22	COUNTERSHAFT	NAPĘD POŚREDNI KOSZA CHŁODNICY	1	D41937500	
23	DISCHARGE AUGER SHAFT - DISCHARGE AUGER	NAPĘD WYSYPU ZBIORNIKA	1	D41978800	
23	DISCHARGE AUGER SHAFT - DISCHARGE AUGER	NAPĘD WYSYPU ZBIORNIKA	1	D41979200	
24	INTERMEDIATE DRIVE F: FILL ELEVATOR	NAPĘD POŚREDNI ZAŁADUNKU	1	D42325600	X
25	AIR CONDITIONING - COMPRESSOR	KLIMATYZACJA - KOMPRESOR	1	D41909000	
26	RETURN ELEVATOR - BAND ROLLERS	NAPĘD PRZENOŚNIKA POWROTNEGO	1	D42329000	X
27	MAIN FAN VARIATOR - STRIPPER BEATER	GLÓWNA WIALNIA	1	D41981200	
28	MAIN FAN VARIATOR - MAIN FAN	GLÓWNA WIALNIA	1	D41981100	
29	STRIPPER BEATER - INTERMEDIATE DRIVE VARIATOR	BĘBEN MŁÓCĄCY	1	D41981000	X
30	INTERMEDIATE DRIVE VARIATOR - THRESHING DRUM	NAPĘD POŚREDNI BĘBNA	1	D41985200	
31	INTERMEDIATE DRIVE VARIATOR - THRESHING DRUM	NAPĘD POŚREDNI BĘBNA	1	D41985300	

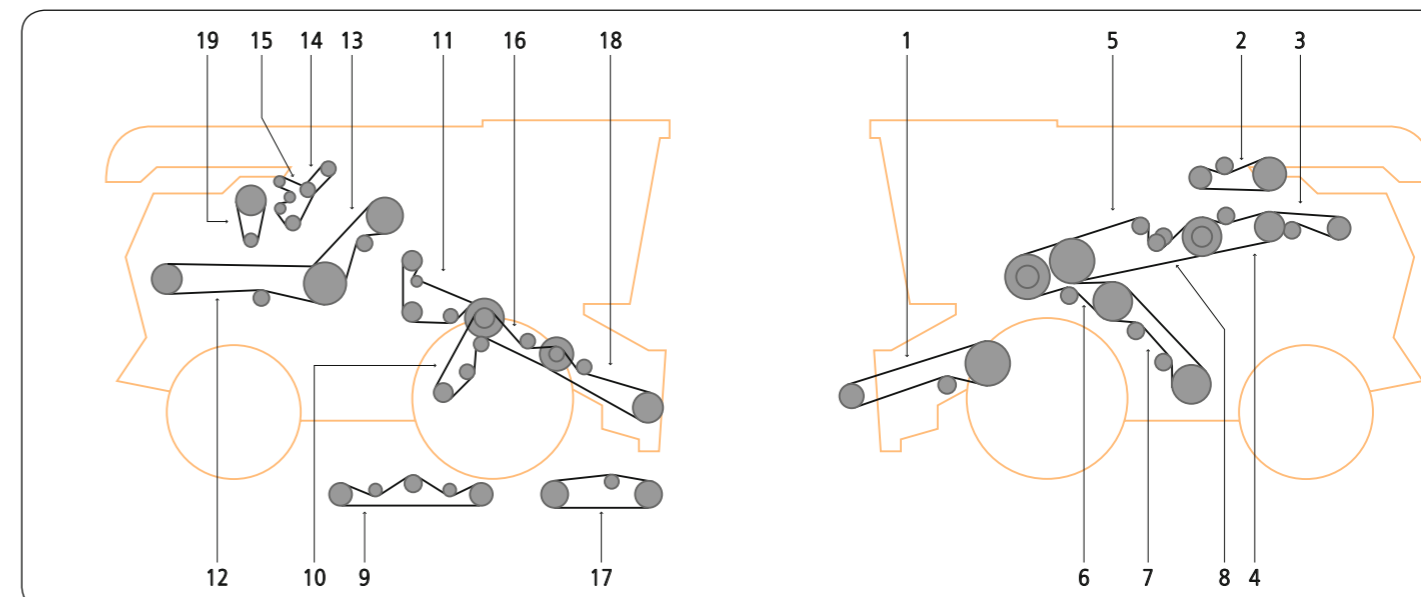
X - not in standard offer / brak w standardowej ofercie

ITEM / POZYCJA	APPLICATION	OPIS	QUANTITY OF V-BELTS IN DRIVE / ILOŚĆ PASÓW W ZESPOLE	OE PART NUMBER / NUMER KATALOGOWY	COMMENT / UWAGI
1	UNLOADER DRIVE / 8560, 8570, 8780, 8780XP	NAPĘD WYSYPU / 8560, 8570, 8780, 8780XP		101102M1	
2	ROTARY SCREEN DRIVE / 8560, 8570, 8780, 8780XP	NAPĘD KOSZA CHŁODNICY / 8560, 8570, 8780, 8780XP		1764410W1	
3	GRAIN ELEVATOR DRIVE / 8560, 8570, 8780, 8780XP	NAPĘD PRZENOŚNIKA ZIARNOWEGO / 8560, 8570, 8780, 8780XP		227455M1	
4	SHAKER SHOE PITMAN DRIVE / 8560, 8570, 8780, 8780XP	NAPĘD WYTRZĄSACZA SŁOMY / 8560, 8570, 8780, 8780XP		2593000W1	
5	ROTARY SCREEN "C" SHAFT DRIVE / 8560, 8570 (220 HP ENGINE)	NAPĘD ZESPOŁU ROTORA KOSZA CHŁODNICY / 8560, 8570 (220 HP SILNIK)		2624080W1	
5	ROTARY SCREEN "C" SHAFT DRIVE / 8570 (240 HP ENGINE), 8780, 8780XP	NAPĘD ZESPOŁU ROTORA KOSZA CHŁODNICY / 8570 (240 HP SILNIK), 8780, 8780XP		104259W1	
6	BEATER DRIVE / 8560, 8570, 8780 (PRIOR TO SN W55101)	NAPĘD MŁOCARNI / 8560, 8570, 8780 (DO SERIAL W55101)		2624390W1	
6	BEATER DRIVE / 8780 (EFF. SN W55101), 8780XP	NAPĘD MŁOCARNI / 8780 (EFF. SERIAL W55101), 8780XP		71386352	
	PROPULSION PUMP DRIVE / 8560, 8570 (220 HP ENGINE)	NAPĘD POMPY / 8560, 8570 (220 HP SILNIK)		9811830W2	
	PROPULSION PUMP DRIVE / 8570 (240 HP ENGINE)	NAPĘD POMPY / 8570 (240 HP SILNIK)		104179W1	
7	ALTERNATOR/FAN DRIVE / 8560	ALTERNATOR/NAPĘD WENTYLATORA / 8560		2634420W1	X
7	ENGINE FAN DRIVE / 8570 (PRIOR ENGINE SN 45050296)	NAPĘD WENTYLATORA SILNIKA / 8570 (SILNIK SERIAL 45050296)		1076753M1	X
7	ENGINE FAN DRIVE / 8570 (EFF. ENGINE SN 45050296), 8780, 8780XP	NAPĘD WENTYLATORA SILNIKA / 8570 (EFF. SILNIK SERIAL 45050296), 8780, 8780XP		111677W1	X
8	COUNTERSHAFT DRIVE / 8560, 8570 (220 HP ENGINE), 8780 (PRIOR TO SN W55101)	NAPĘD WAŁUPOŚREDNIEGO / 8560, 8570 (220 HP SILNIK), 8780 (DO SERIAL W55101)		1594240W1	
8	COUNTERSHAFT DRIVE / 8570 (240 HP ENGINE), 8780 (EFF. SN W55101)	NAPĘD WAŁUPOŚREDNIEGO / 8570 (240 HP SILNIK), 8780 (EFF. SERIAL W55101)		71385693	X
8	COUNTERSHAFT DRIVE / 8780XP	NAPĘD WAŁUPOŚREDNIEGO / 8780XP		71387775	X
9	ROTOR DRIVE / 8560	NAPĘD ROTORA / 8560		1669570W1	
9	ROTOR PUMP DRIVE / 8570	NAPĘD POMPY ROTORA / 8570		9811830W2	
9	PUMP DRIVE / 8780, 8780XP	NAPĘD POMPY / 8780, 8780XP		111954W1	
10	A / C COMPRESSOR DRIVE / 8560	NAPĘD KOMPRESORA KLIMATYZACJI / 8560		530329M1	
10	A / C COMPRESSOR DRIVE / 8570, 8780	NAPĘD KOMPRESORA KLIMATYZACJI / 8570, 8780		531603M1	
10	A / C COMPRESSOR DRIVE / 8780XP	NAPĘD KOMPRESORA KLIMATYZACJI / 8780XP		71148120	X
11	FEEDER DRIVE / 8560	NAPĘD PRZENOŚNIKA POCHYLNEGO / 8560		2621170W1	
11	FEEDER DRIVE / 8570, 8780 (PRIOR TO SN W55101)	NAPĘD PRZENOŚNIKA POCHYLNEGO / 8570, 8780 (DO SERIAL W55101)		108190W1	
11	FEEDER DRIVE / 8570	NAPĘD PRZENOŚNIKA POCHYLNEGO / 8570		2621170W1	
11	FEEDER DRIVE / 8570	NAPĘD PRZENOŚNIKA POCHYLNEGO / 8570		104072W1	
11	FEEDER DRIVE / 8780 (EFF. SN W55101), 8780XP	NAPĘD PRZENOŚNIKA POCHYLNEGO / 8780 (EFF. SERIAL W55101), 8780XP		71379105	
12	8560, 8570, 8780, 8780XP	8560, 8570, 8780, 8780XP		2612330W1	X

X - not in standard offer / brak w standardowej ofercie

ITEM / POZYCJA	APPLICATION	OPIS	QUANTITY OF V-BELTS IN DRIVE / ILOŚĆ PASÓW W ZESPOLE	OE PART NUMBER / NUMER KATALOGOWY	COMMENT / UWAGI
13	RETURN ELEVATOR DRIVE / 8560, 8570, 8780	NAPĘD PRZENOŚNIKA POWROTNEGO / 8560, 8570, 8780		2619760W1	
13	RETURN ELEVATOR DRIVE / 8780XP	NAPĘD PRZENOŚNIKA POWROTNEGO / 8780XP		71385801	
14	CHOPPER DRIVE / 8560	NAPĘD SIECZKARNI / 8560		1781280W1	X
14	CHOPPER DRIVE / 8570, 8780, 8780XP	NAPĘD SIECZKARNI / 8570, 8780, 8780XP		71388712	
14	SPREADER DRIVE / 8560, 8570, 8780, 8780XP	NAPĘD ROZTRZĄSACZA / 8560, 8570, 8780, 8780XP		1680230W1	
15	SPREADER JACKSHAFT DRIVE / 8560, 8570, 8780, 8780XP	NAPĘD WAŁKA POŚREDNIEGO ROZTRZĄSACZA / 8560, 8570, 8780, 8780XP		227455M1	
15	CHOPPER JACKSHAFT DRIVE / 8570, 8780	NAPĘD WAŁKA POŚREDNIEGO SIECZKARNI / 8570, 8780		103319M1	
15	CHOPPER JACKSHAFT DRIVE / 8780XP	NAPĘD WAŁKA POŚREDNIEGO SIECZKARNI / 8780XP		71385837	

X - not in standard offer / brak w standardowej ofercie

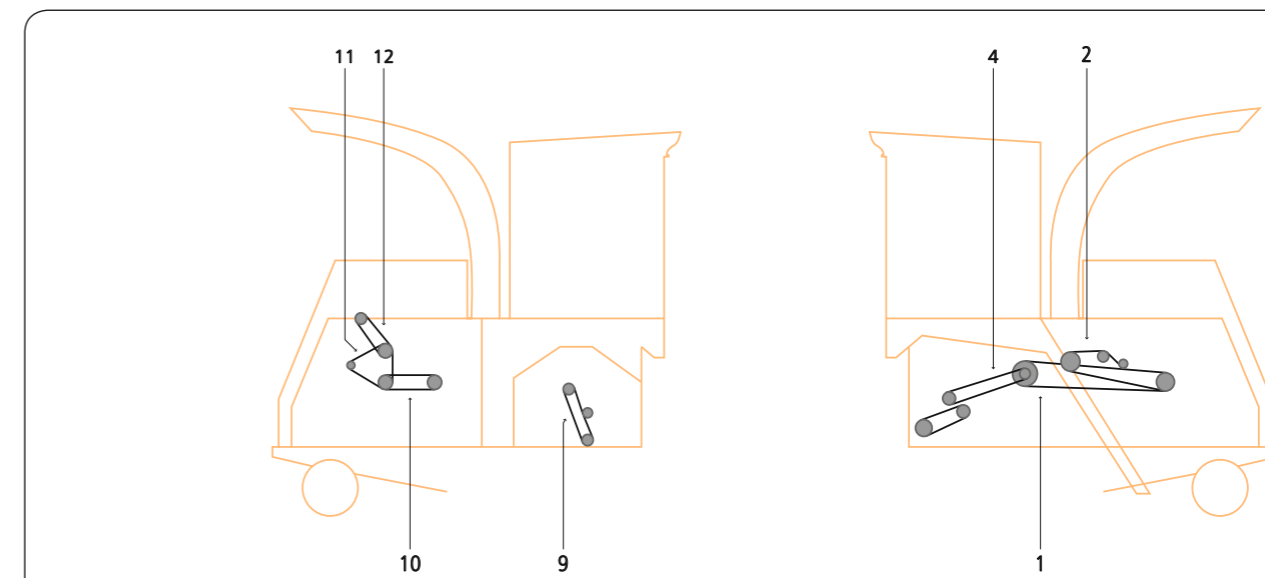


ITEM / POZYCJA	APPLICATION	OPIS	QUANTITY OF V-BELTS IN DRIVE / ILOŚĆ PASÓW W ZESPOLE	OE PART NUMBER / NUMER KATALOGOWY	COMMENT / UWAGI
1	FEEDER, PIVOT SHAFT / 9690 (S/N HP87101 & ABOVE)	PODAJNIK, CZOP WAŁU / 9690 (SERIAL HP87101 I WYŻEJ)		71398388	
1	FEEDER, PIVOT SHAFT / 9790 (S/N HP36101 & ABOVE), 9895 (S/N HSC8101 & ABOVE)	PODAJNIK, CZOP WAŁU / 9790 (SERIAL HP36101 I WYŻEJ), 9895 (SERIAL HSC8101 I WYŻEJ)		71398388	
1	FEEDER, PIVOT SHAFT / 9695, 9795, 9895 (S/N HUC8101 & ABOVE)	PODAJNIK, CZOP WAŁU / 9695, 9795, 9895 (SERIAL HUC8101 I WYŻEJ)		71427255	
2	PUMP DRIVE, PROPEL / 9790 (PRIOR TO S/N HR36101)	NAPĘD POMPY / 9790 (DO SERIAL HR36101)		71418977	
2	PUMP DRIVE, PROPEL / 9790 (S/N HR36101 & ABOVE), 9795	NAPĘD POMPY / 9790 (SERIAL HR36101 I WYŻEJ), 9795		71418978	
2	PUMP DRIVE, PROPEL / 9895	NAPĘD POMPY / 9895		71406286	
3	PUMP DRIVE, ROTOR / 9690 (PRIOR TO S/N HR87101), 9790, 9795	NAPĘD POMPY, ROTOR / 9690 (DO SERIAL HR87101), 9790, 9795		71418976	
3	PUMP DRIVE, ROTOR / 9690 (S/N HR87101 & ABOVE), 9695	NAPĘD POMPY, ROTOR / 9690 (SERIAL HR87101 I WYŻEJ), 9695		71418984	
3	PUMP DRIVE, ROTOR / 9895	NAPĘD POMPY, ROTOR / 9895		71406285	
4	COUNTERSHAFT, MAIN / 9690, 9695, 9790, 9795	WAŁEK POŚREDNI, GŁÓWNY / 9690, 9695, 9790, 9795		71390188	
4	COUNTERSHAFT, MAIN / 9895	WAŁEK POŚREDNI, GŁÓWNY / 9895		71403721	
5	BEATER DRIVE / 9690	NAPĘD MŁOCARNI / 9690		71386352	
5	BEATER DRIVE / 9695, 9790, 9795, 9895	NAPĘD MŁOCARNI / 9695, 9790, 9795, 9895		71388216	
6	SHAKER SHOE PITMAN / 9690, 9695, 9790, 9795, 9895	NAPĘD WYTRZĄSACZA / 9690, 9695, 9790, 9795, 9895		71390199	X
7	GRAIN ELEVATOR DRIVE / 9690 (PRIOR TO S/N HP87101), 9790 (PRIOR TO S/N HP36101)	NAPĘD PRZENOŚNIKA ZIARNOWEGO / 9690 (DO SERIAL HP87101), 9790 (DO SERIAL HP36101)		227455M1	
7	GRAIN ELEVATOR DRIVE / 9690 (S/N HP87101 & ABOVE), 9790 (S/N HP36101 & ABOVE)	NAPĘD PRZENOŚNIKA ZIARNOWEGO / 9690 (SERIAL HP87101 I WYŻEJ), 9790 (SERIAL HP36101 I WYŻEJ)		71403685	X
7	GRAIN ELEVATOR DRIVE / 9695, 9795, 9895 (S/N HUC8101 & ABOVE)	NAPĘD PRZENOŚNIKA ZIARNOWEGO / 9695, 9795, 9895 (SERIAL HUC8101 I WYŻEJ)		71410765	
7	GRAIN ELEVATOR DRIVE / 9895 (S/N HSC8101 & ABOVE)	NAPĘD PRZENOŚNIKA ZIARNOWEGO / 9895 (SERIAL HSC8101 I WYŻEJ)		71403685	X
8	UNLOADER DRIVE / 9690, 9790	NAPĘD WYSYPU / 9690, 9790		101102M1	
8	UNLOADER DRIVE / 9695, 9795, 9895	NAPĘD WYSYPU / 9695, 9795, 9895		71410767	X
9	HEADER COUNTERSHAFT, BEATER / 9690 (PRIOR TO S/N HP87101), 9790 (PRIOR TO S/N HP36101)	WAŁ POŚREDNI HEDERA, MŁOCARNIA / 9690 (DO SERIAL HP87101), 9790 (DO SERIAL HP36101)		71379105	
10	CLEANING FAN, VARI-SPEED / 9690, 9695, 9790, 9795	WIALNIA CZYSZCZĄCA / 9690, 9695, 9790, 9795		71394352	X
10	CLEANING FAN, VARI-SPEED / 9895 (PRIOR TO S/N BHC08101)	WIALNIA CZYSZCZĄCA / 9895 (DO SERIAL BHC08101)		71400662	
10	CLEANING FAN, VARI-SPEED / 9895 (S/N BHC08101 & ABOVE)	WIALNIA CZYSZCZĄCA / 9895 (SERIAL BHC08101 I WYŻEJ)		71444743	X
10	CLEANING FAN, VARI-SPEED / 9895 (S/N HSC8101 & ABOVE)	WIALNIA CZYSZCZĄCA / 9895 (SERIAL HSC8101 I WYŻEJ)		71400662	
11	RETURN ELEVATOR / 9690, 9695, 9790, 9795, 9895	PRZENOŚNIK POWROTNY / 9690, 9695, 9790, 9795, 9895		71385801	
12	CHOPPER (SECONDARY) / 9690 (PRIOR TO S/N HR87101), 9790 (PRIOR TO S/N HR36101)	ROZDRABNIACZ (POMOCNICZY) / 9690 (DO SERIAL HR87101), 9790 (DO SERIAL HR36101)		71388712	
12	CHOPPER (SECONDARY) / 9690 (S/N HR87101 & ABOVE), 9790 (S/N HR36101 & ABOVE)	ROZDRABNIACZ (POMOCNICZY) / 9690 (SERIAL HR87101 I WYŻEJ), 9790 (SERIAL HR36101 I WYŻEJ)		71406339	

X - not in standard offer / brak w standardowej ofercie

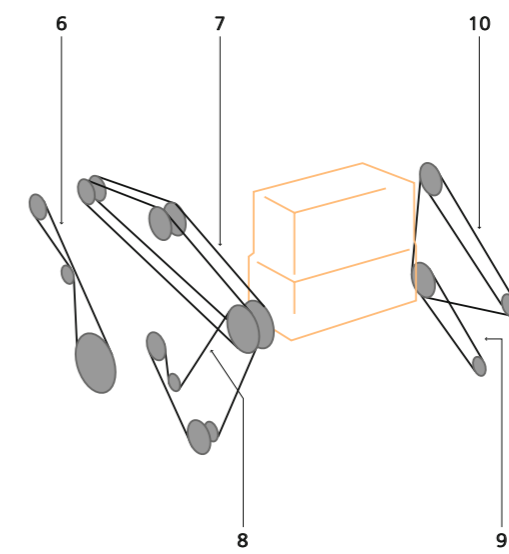
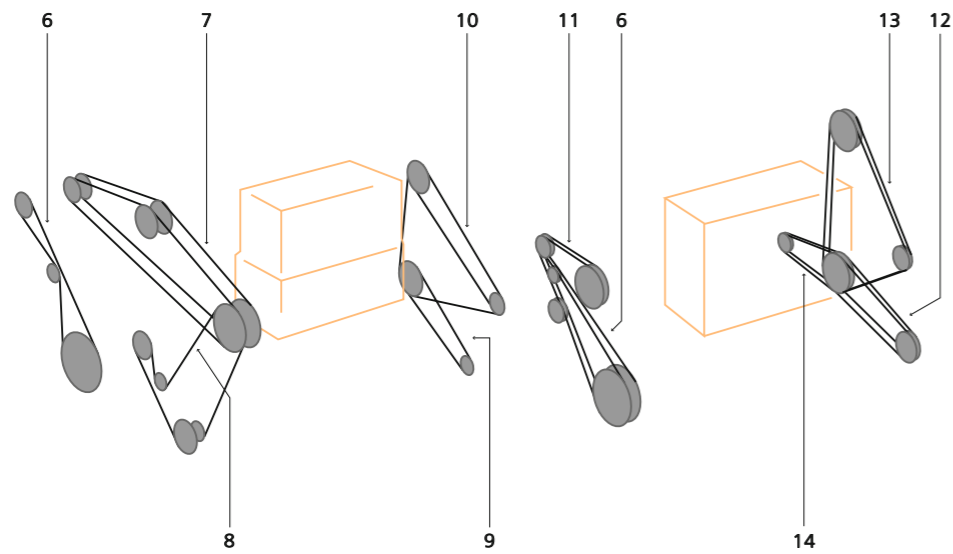
ITEM / POZYCJA	APPLICATION	OPIS	QUANTITY OF V-BELTS IN DRIVE / ILOŚĆ PASÓW W ZESPOLE	OE PART NUMBER / NUMER KATALOGOWY	COMMENT / UWAGI
12	CHOPPER (SECONDARY) / 9695, 9795, 9895	ROZDRABNIACZ (POMOCNYCZY) / 9695, 9795, 9895		71406339	
12	CHOPPER, MAV (SECONDARY) / 9895 (S/N HUC8101 & ABOVE)	ROZDRABNIACZ (POMOCNYCZY) / 9895 (SERIAL HUC8101 I WYŻEJ)		71430816	
12	CHOPPER (SECONDARY) / 9895 (S/N HUC8101 & ABOVE)	ROZDRABNIACZ (POMOCNYCZY) / 9895 (SERIAL HUC8101 I WYŻEJ)		71427340	
12	SPREADER (SECONDARY) / 9690, 9695, 9790, 9795, 9895	ROZTRZĄSACZ (POMOCNYCZY) / 9690, 9695, 9790, 9795, 9895		1680230W1	
13	CHOPPER (PRIMARY) / 9690 (PRIOR TO S/N HR87101), 9790 (PRIOR TO S/N HR36101)	ROZDRABNIACZ (GŁÓWNY) / 9690 (DO SERIAL HR87101), 9790 (DO SERIAL HR36101)		71385837	
13	CHOPPER (PRIMARY) / 9690 (S/N HR87101 & ABOVE), 9790 (S/N HR36101 & ABOVE)	ROZDRABNIACZ (GŁÓWNY) / 9690 (SERIAL HR87101 I WYŻEJ), 9790 (SERIAL HR36101 I WYŻEJ)		71406361	
13	CHOPPER (PRIMARY) / 9695, 9795, 9895	ROZDRABNIACZ (GŁÓWNY) / 9695, 9795, 9895		71406338	
13	CHOPPER, MAV (PRIMARY) / 9895 (S/N HUC8101 & ABOVE)	ROZDRABNIACZ (GŁÓWNY) / 9895 (SERIAL HUC8101 I WYŻEJ)		71424226	
13	CHOPPER (PRIMARY) / 9895 (S/N HUC8101 & ABOVE)	ROZDRABNIACZ (GŁÓWNY) / 9895 (SERIAL HUC8101 I WYŻEJ)		71424227	
13	SPREADER (PRIMARY) / 9690, 9790	ROZTRZĄSACZ (GŁÓWNY) / 9690, 9790		227455M1	X
13	SPREADER (PRIMARY) / 9695, 9795, 9895	ROZTRZĄSACZ (GŁÓWNY) / 9695, 9795, 9895		71414420	X
14	A/C COMPRESSOR / 9690, 9695, 9790, 9795	KOMPRESOR KLIMATYZACJI / 9690, 9695, 9790, 9795		71148120	X
15	FAN & ALTERNATOR / 9690 (PRIOR TO S/N HR87101), 9790 (PRIOR TO S/N HP36101)	WENTYLATOR I ALTERNATOR / 9690 (DO SERIAL HR87101), 9790 (DO SERIAL HP36101)		A3289213	X
15	FAN & ALTERNATOR (KIT) / 9690 (PRIOR TO S/N HR87101), 9790 (S/N HP36101-HP36999 & ABOVE)	WENTYLATOR I ALTERNATOR (KIT) / 9690 (DO SERIAL HR87101), 9790 (SERIAL HP36101-HP36999 I WYŻEJ)		A71410501	X
15	FAN & ALTERNATOR (SISU) / 9690 (S/N HR87101 & ABOVE), 9790 (S/N HR36101 & ABOVE)	WENTYLATOR I ALTERNATOR (SISU) / 9690 (SERIAL HR87101 I WYŻEJ), 9790 (SERIAL HR36101 I WYŻEJ)		V685121585	X
15	FAN & ALTERNATOR (SISU) / 9690-9790-9795 (ENGINE S/N T11858 & ABOVE), 9695	WENTYLATOR I ALTERNATOR (SISU) / 9690-9790-9795 (SILNIK SERIAL T11858 I WYŻEJ), 9695		V685121530	X
15	FAN & ALTERNATOR / 9695 (S/N BHC06101 & ABOVE), 9795 (S/N BHC07101 & ABOVE)	WENTYLATOR I ALTERNATOR / 9695 (SERIAL BHC06101 I WYŻEJ), 9795 (SERIAL BHC07101 I WYŻEJ)		71444986	X
15	FAN & ALTERNATOR / 9895 (S/N HUC8101 & ABOVE)	WENTYLATOR I ALTERNATOR / 9895 (SERIAL HUC8101 I WYŻEJ)		288-1607	
15	FAN & ALTERNATOR / 9895 (S/N HSC8101 & ABOVE)	WENTYLATOR I ALTERNATOR / 9895 (SERIAL HSC8101 I WYŻEJ)		71407841	
16	BEATER, FEEDERHOUSE JACKSHAFT / 9690 (S/N HP87101 & ABOVE), 9695	MŁOCARNIA, WAŁEK POŚREDNI ZESPOŁU PODAJNIKA / 9690 (SERIAL HP87101 I WYŻEJ), 9695		71398384	
16	BEATER, FEEDERHOUSE JACKSHAFT / 9790 (S/N HP36101 & ABOVE), 9795, 9895	MŁOCARNIA, WAŁEK POŚREDNI ZESPOŁU PODAJNIKA / 9790 (SERIAL HP36101 I WYŻEJ), 9795, 9895		71398384	X
17	HEADER COUNTERSHAFT, VARI-SPEED / 9690 (S/N HP87101 & ABOVE), 9790 (S/N HP36101 & ABOVE)	WAŁ POŚREDNI HEDERA, ZMIENNA PRĘDKOŚĆ / 9690 (SERIAL HP87101 I WYŻEJ), 9790 (SERIAL HP36101 I WYŻEJ)		71399505	
17	HEADER COUNTERSHAFT, VARI-SPEED / 9695, 9795, 9895 (S/N HUC8101 & ABOVE)	WAŁ POŚREDNI HEDERA, ZMIENNA PRĘDKOŚĆ / 9695, 9795, 9895 (SERIAL HUC8101 I WYŻEJ)		71423444	
17	HEADER COUNTERSHAFT, VARI-SPEED / 9895 (S/N HSC8101 & ABOVE)	WAŁ POŚREDNI HEDERA, ZMIENNA PRĘDKOŚĆ / 9895 (SERIAL HSC8101 I WYŻEJ)		71399505	
18	HEADER COUNTERSHAFT, FIXED SPD / 9690 (S/N HP87101 & ABOVE), 9790 (S/N HP36101 & ABOVE)	WAŁ POŚREDNI HEDERA, STAŁA PRĘDKOŚĆ / 9690 (SERIAL HP87101 I WYŻEJ), 9790 (SERIAL HP36101 I WYŻEJ)		71399519	
18	HEADER COUNTERSHAFT, FIXED SPD / 9695, 9795, 9895	WAŁ POŚREDNI HEDERA, STAŁA PRĘDKOŚĆ / 9695, 9795, 9895		71399519	
19	ROTARY SCREEN / 9690 (S/N HR87101 & ABOVE), 9695, 9790, 9795, 9895	KOSZ CHŁODNICZY / 9690 (SERIAL HR87101 I WYŻEJ), 9695, 9790, 9795, 9895		71396754	

X - not in standard offer / brak w standardowej ofercie



ITEM / POZYCJA	APPLICATION	OPIS	QUANTITY OF V-BELTS IN DRIVE / ILOŚĆ PASÓW W ZESPOLE	OE PART NUMBER / NUMER KATALOGOWY	COMMENT / UWAGI
1	CUTTERHEAD DRIVE	NAPĘD GŁOWICY TNĄCEJ	1	244853	X
1	CUTTERHEAD DRIVE	NAPĘD GŁOWICY TNĄCEJ	1	197411	X
	"FOR EUROPEAN MACHINES ONLY, HIGH SPEED CUTTERHEAD"	"DLA UE, DUŻA PRĘDKOŚĆ GŁOWICA TNĄCA"			
2	FAN DRIVE	NAPĘD WENTYLATORA	1	266408	X
2	FAN DRIVE	NAPĘD WENTYLATORA	1	571926	X
4	REVERSING GEARBOX DRIVE	NAPĘD PRZEKŁADNI NAWROTNEJ	1	245213	X
4	REVERSING GEARBOX DRIVE	NAPĘD PRZEKŁADNI NAWROTNEJ	1	616484	X
4	REVERSING GEARBOX DRIVE, REPLACES 571929, 1895	NAPĘD PRZEKŁADNI NAWROTNEJ, REPLACES 571929, 1895	1	619842	X
	"FOR EUROPEAN MACHINES ONLY, HIGH SPEED CUTTERHEAD"	"DLA UE, DUŻA PRĘDKOŚĆ GŁOWICA TNĄCA"			
9	AUGER DRIVE	NAPĘD ŚLIMAKA	1	239104	X
10	HYDRAULIC PUMP DRIVE	NAPĘD POMPY HYDRAULICZNEJ	1	573957	X
10	HYDRAULIC PUMP DRIVE	NAPĘD POMPY HYDRAULICZNEJ	1	571927	X
11	FAN	WENTYLATOR	1	613568	X
11	FAN	WENTYLATOR	1	571895	X
12	A/C	KLIMATYZACJA	1	264557	
12	A/C	KLIMATYZACJA	1	254084	

X - not in standard offer / brak w standardowej ofercie

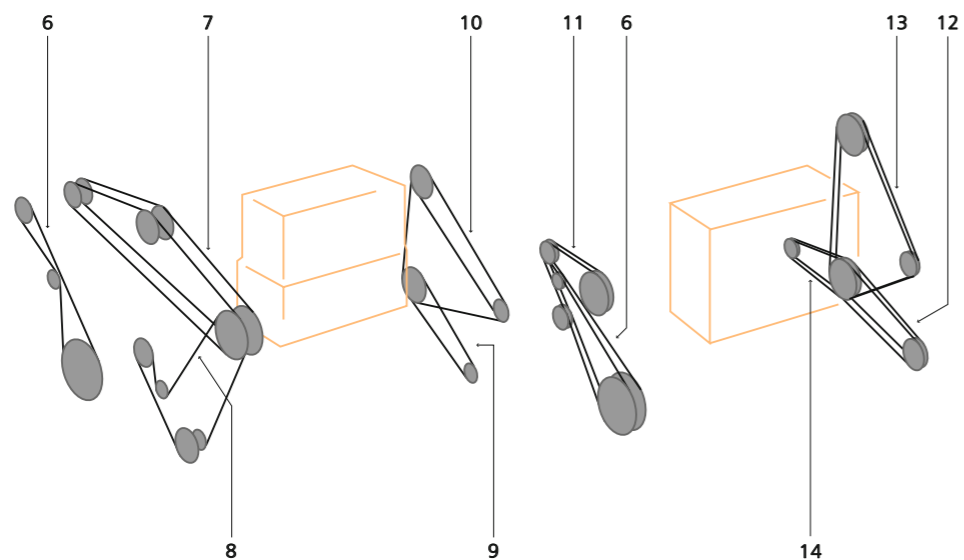


ITEM / POZYCJA	APPLICATION	OPIS	QUANTITY OF V-BELTS IN DRIVE / ILOŚĆ PASÓW W ZESPOLE	OE PART NUMBER / NUMER KATALOGOWY	COMMENT / UWAGI
6	BLOWER, LOW SPEED	NAPĘD WIALNI CZYSZCZĄCEJ, WOLNE OBROTY	1	9611905	
6	BLOWER, HIGH SPEED	NAPĘD WIALNI CZYSZCZĄCEJ, DUŻA PRĘDKOŚĆ	1	9611904	X
6	BLOWER, EUROPE	NAPĘD WIALNI CZYSZCZĄCEJ, EUROPA	1	9502745	
	USED ONLY ON EUROPEAN MACHINES	UŻYWANY W EUROPEJSKICH MASZYNACH			
7			1	632679	X
8	HYDRAULIC PUMP	POMPA HYDRAULICZNA	1	601881	X
9	ALTERNATOR	ALTERNATOR	1	80259346	X
10			1	630406	X
10	FAN	WENTYLATOR	1	616476	X
	USED ONLY ON EUROPEAN MACHINES	UŻYWANY W EUROPEJSKICH MASZYNACH			
11	CUTTERHEAD HOUSING	OBUDOWA GŁOWICY TNĄCEJ	1	715130	X
12	ALTERNATOR	ALTERNATOR	1	80259346	X
13	FAN	WENTYLATOR	1	705807	X
14	A-C COMPRESSOR	KOMPRESOR KLIMATYZACJI	1	264557	

X - not in standard offer / brak w standardowej ofercie

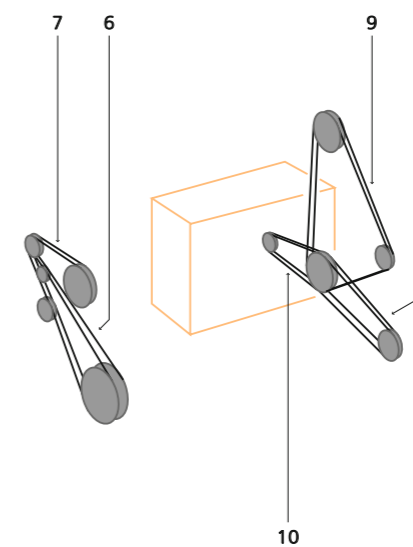
ITEM / POZYCJA	APPLICATION	OPIS	QUANTITY OF V-BELTS IN DRIVE / ILOŚĆ PASÓW W ZESPOLE	OE PART NUMBER / NUMER KATALOGOWY	COMMENT / UWAGI
6	BLOWER	NAPĘD WIALNI CZYSZCZĄCEJ	1	9611905	
7			1	632679	X
8	HYDRAULIC PUMP	POMPA HYDRAULICZNA	1	601881	X
9	ALTERNATOR	ALTERNATOR	1	858900	
10	FAN	WENTYLATOR	1	630406	X

X - not in standard offer / brak w standardowej ofercie



ITEM / POZYCJA	APPLICATION	OPIS	QUANTITY OF V-BELTS IN DRIVE / ILOŚĆ PASÓW W ZESPOLE	OE PART NUMBER / NUMER KATALOGOWY	COMMENT / UWAGI
6	BLOWER, LOW SPEED	NAPĘD WIALNI CZYSZCZĄCEJ, WOLNE OBROTY	1	9611905	
6	BLOWER, HIGH SPEED	NAPĘD WIALNI CZYSZCZĄCEJ, DUŻA PRĘDKOŚĆ	1	9611904	X
6	BLOWER, EUROPE	NAPĘD WIALNI CZYSZCZĄCEJ, EUROPA	1	9502745	
	USED ONLY ON EUROPEAN MACHINES	UŻYWANY W EUROPEJSKICH MASZYNACH			
7			1	632679	X
8	HYDRAULIC PUMP	POMPA HYDRAULICZNA	1	601881	X
9			1	80259346	X
10	FAN	WENTYLATOR	1	630406	X
10	FAN	WENTYLATOR	1	616476	X
	USED ONLY ON EUROPEAN MACHINES	UŻYWANY W EUROPEJSKICH MASZYNACH			
11	CUTTERHEAD HOUSING	OBUDOWA GŁOWICY TNĄCEJ	1	715130	X
12	ALTERNATOR	ALTERNATOR	1	80259346	X
13	FAN	WENTYLATOR	1	705807	X
14	A-C COMPRESSOR	KOMPRESOR KLIMATYZACJI	1	264557	

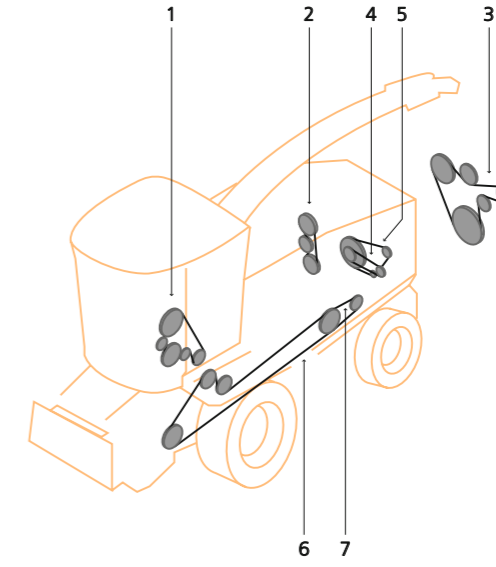
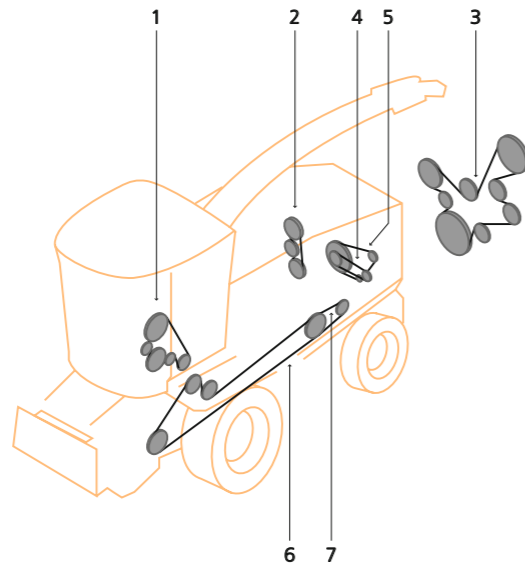
X - not in standard offer / brak w standardowej ofercie



ITEM / POZYCJA	APPLICATION	OPIS	QUANTITY OF V-BELTS IN DRIVE / ILOŚĆ PASÓW W ZESPOLE	OE PART NUMBER / NUMER KATALOGOWY	COMMENT / UWAGI
6	BLOWER	NAPĘD WIALNI CZYSZCZĄCEJ	1	9611905	
6	BLOWER	NAPĘD WIALNI CZYSZCZĄCEJ	1	9611904	X
7	CUTTERHEAD	GŁOWICA TNĄCA	1	715130	X
8	ALTERNATOR	ALTERNATOR	1	80259346	X
9			1	705807	X
10	COMPRESSOR	KOMPRESOR	1	264557	

X - not in standard offer / brak w standardowej ofercie



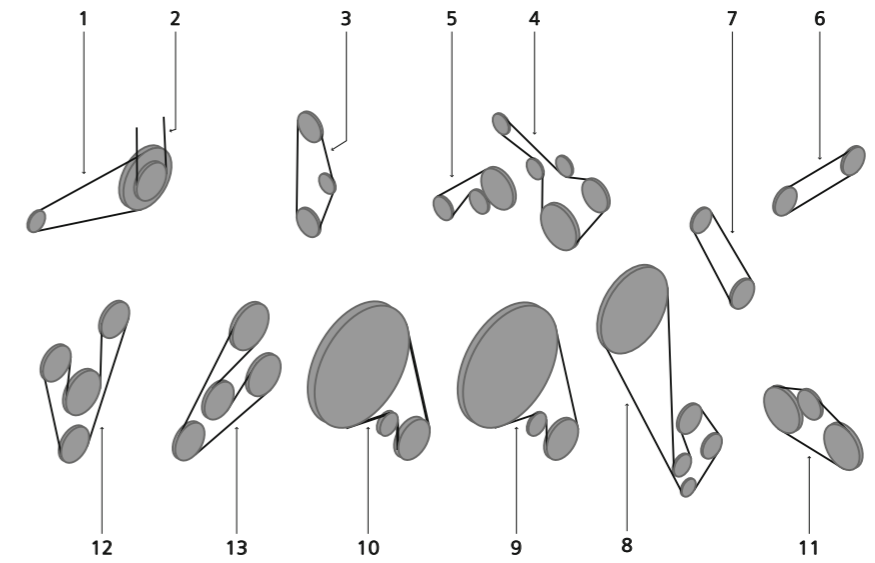
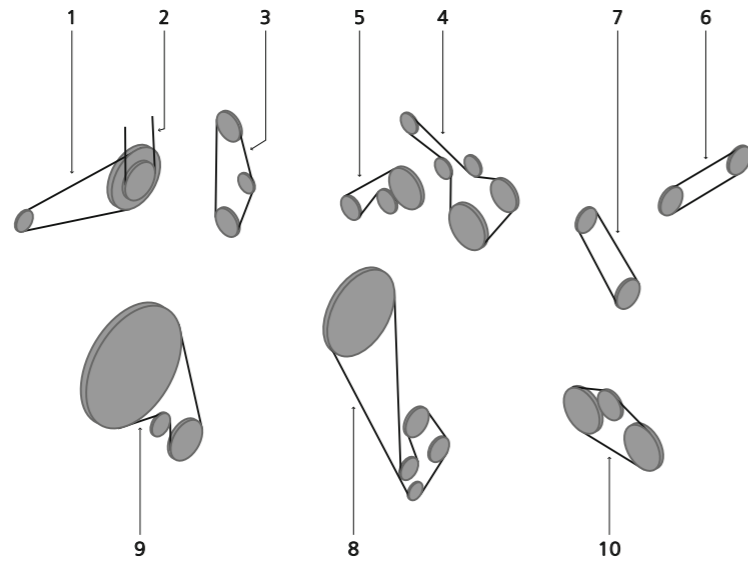


ITEM / POZYCJA	APPLICATION	OPIS	QUANTITY OF V-BELTS IN DRIVE / ILOŚĆ PASÓW W ZESPOLE	OE PART NUMBER / NUMER KATALOGOWY	COMMENT / UWAGI
1	CROP PROCESSOR DRIVE	NAPĘD UKŁADU PRZETWARZANIA ZBIORÓW	1	84296393	X
1	CROP PROCESSOR DRIVE FOR CP200 ONLY	NAPĘD UKŁADU PRZETWARZANIA ZBIORÓW DO CP200	1	84459680	X
1	CROP PROCESSOR DRIVE	NAPĘD UKŁADU PRZETWARZANIA ZBIORÓW	1	84449861	X
2	FAN DRIVE FOR FR450E3, FR450E4, FR450A3 AND FR450A4 ONLY	NAPĘD WENTYLATORA DO FR450E3, FR450E4, FR450A3 I FR450A4	1	84513766	X
2	FAN DRIVE FOR FR500E3, FR500E4, FR500A3, FR500A4, FR600E3, FR600A3, FR700E3, FR700A3, FR850E2 AND FR850A2 ONLY	NAPĘD WENTYLATORA DO FR500E3, FR500E4, FR500A3, FR500A4, FR600E3, FR600A3, FR700E3, FR700A3, FR850E2 I FR850A2	1	87346514	
3	CRANKSHAFT, AC COMPRESSOR, ALTERNATOR FOR FR450E3, FR450E4, FR450A3 AND FR450A4 ONLY	NAPĘD NOŻY, AC KOMPRESOR, ALTERNATOR DO FR450E3, FR450E4, FR450A3 I FR450A4	1	84292639	X
3	CRANKSHAFT, AC COMPRESSOR DRIVE FOR ENGINE MODELS F2C E9684U*E026 - F2C FE613A*A023	NAPĘD NOŻY, NAPĘD KOMPRESORA KLIMATYZACJI DO SILNIKA MODELE F2C E9684U*E026 - F2C FE613A*A023	1	84223612	X
4	CRANKSHAFT, AC COMPRESSOR DRIVE FOR FR500E3, FR500E4, FR500A3, FR500A4, FR600E3 AND FR600A3 ONLY	NAPĘD NOŻY, NAPĘD KOMPRESORA KLIMATYZACJI DO FR500E3, FR500E4, FR500A3, FR500A4, FR600E3 I FR600A3	1	9501863	
4	CRANKSHAFT, AC COMPRESSOR DRIVE FOR FR700E3 AND FR700A3 ONLY	NAPĘD NOŻY, NAPĘD KOMPRESORA KLIMATYZACJI DO FR700E3 I FR700A3	1	87604563	X
5	CRANKSHAFT, ALTERNATOR DRIVE "CRANKSHAFT, ALTERNATOR / FOR FR500E3, FR500E4, FR500A3, FR500A4, FR600E3 AND FR600A3 ONLY"	NAPĘD NOŻY, NAPĘD ALTERNATORA DO FR500E3, FR500E4, FR500A3, FR500A4, FR600E3 I FR600A3	1	87346859	
5	CRANKSHAFT, ALTERNATOR DRIVE / FOR FR850E2 AND FR850A2 ONLY	NAPĘD NOŻY, NAPĘD ALTERNATORA DO FR850E2 I FR850A2	1	87618427	X
6	"CHOPPER DRIVE / FOR FR450E3, FR450A3, FR450E4, FR450A4, FR500E3, FR500A3, FR500E4, FR500A4, FR600E3 AND FR600A3 ONLY"	"NAPĘD SIECZKARNI / DO FR450E3, FR450A3, FR450E4, FR450A4, FR500E3, FR500A3, FR500E4, FR500A4, FR600E3 I FR600A3"	1	84458482	X
6	"CHOPPER DRIVE / FOR FR700E3, FR700A3, FR850E2 AND FR850A2 ONLY"	"NAPĘD SIECZKARNI / DO FR700E3, FR700A3, FR850E2 I FR850A2"	1	84457069	X
7	REVERSE DRIVE MECHANISM	MECHANIZM NAPĘDU WSTECZNEGO	1	84452723	

X - not in standard offer / brak w standardowej ofercie

ITEM / POZYCJA	APPLICATION	OPIS	QUANTITY OF V-BELTS IN DRIVE / ILOŚĆ PASÓW W ZESPOLE	OE PART NUMBER / NUMER KATALOGOWY	COMMENT / UWAGI
1	CROP PROCESSOR DRIVE, SERIAL RANGE: -C731	NAPĘD UKŁADU PRZETWARZANIA ZBIORÓW, SERIAL: -C731	1	84449861	X
1	CROP PROCESSOR DRIVE, START SERIAL: D732	NAPĘD UKŁADU PRZETWARZANIA ZBIORÓW, START SERIAL: D732	1	84296393	X
1	CROP PROCESSOR DRIVE FOR CP200 ONLY	NAPĘD UKŁADU PRZETWARZANIA ZBIORÓW DO CP200	1	84459680	X
1	CROP PROCESSOR DRIVE FOR CP250 ONLY	NAPĘD UKŁADU PRZETWARZANIA ZBIORÓW DO CP250	1	84449861	X
2	FAN DRIVE, SERIAL RANGE: -C719 FOR FR9040 ONLY	NAPĘD WENTYLATORA, SERIAL: -C719 DO FR9040	1	87393905	
2	FAN DRIVE, START SERIAL: D720 FOR FR9040 ONLY	NAPĘD WENTYLATORA, START SERIAL: D720 DO FR9040	1	87346514	
2	FAN DRIVE FOR FR9050 ONLY	NAPĘD WENTYLATORA DO FR9050	1	87393905	
2	FAN DRIVE FOR FR9060, FR9080, FR9090 ONLY	NAPĘD WENTYLATORA DO FR9060, FR9080, FR9090	1	87346514	
3	CRANKSHAFT, ALTERNATOR FOR FR9040 ONLY	NAPĘD NOŻY, ALTERNATOR DO FR9040	1	500380059	X
3	CRANKSHAFT, ALTERNATOR FOR ENGINE MODEL F3A E0684N*E907	NAPĘD NOŻY, ALTERNATOR DO SILNIKA MODEL F3A E0684N*E907	1	500371653	X
3	CRANKSHAFT, ALTERNATOR FOR ENGINE MODEL F2C E9684U*E151	NAPĘD NOŻY, ALTERNATOR DO SILNIKA MODEL F2C E9684U*E151	1	504049425	X
3	CRANKSHAFT, ALTERNATOR FOR FR9050, FR9060 ONLY	NAPĘD NOŻY, ALTERNATOR DO FR9050, FR9060	1	84818008	X
4	"FOR ENGINE MODELS F3B E0684J*E902 - F3C E0684A*E001 - F3C E0684F*E001"	"DO SILNIKA MODELE F3B E0684J*E902 - F3C E0684A*E001 - F3C E0684F*E001"	1	84818008	X
4	COMPRESSOR DRIVE, SERIAL RANGE: -C719 START SERIAL: D720 / FOR FR9040 ONLY	NAPĘD KOMPRESORA, SERIAL: -C719 NAPĘD KOMPRESORA, START SERIAL: D720 / DO FR9040	1	504145203	X
4	CRANKSHAFT, ALTERNATOR	NAPĘD NOŻY, ALTERNATOR	1	84818008	X
4	AIR CONDITIONER COMPRESSOR DRIVE	KLIMATYZACJA NAPĘD KOMPRESORA	1	9501863	
4	AIR CONDITIONER COMPRESSOR DRIVE	KLIMATYZACJA NAPĘD KOMPRESORA	1	87604563	X
5	ALTERNATOR DRIVE / FOR FR9080 ONLY	NAPĘD ALTERNATORA / DO FR9080	1	87346859	
5	ALTERNATOR DRIVE / FOR FR9090 ONLY	NAPĘD ALTERNATORA / DO FR9090	1	87618427	X
6	CHOPPER DRIVE / FOR FR9040, FR9050, FR9060 ONLY	NAPĘD SIECZKARNI / DO FR9040, FR9050, FR9060	1	84458482	X
6	CHOPPER DRIVE / FOR FR9080, FR9090 ONLY	NAPĘD SIECZKARNI / DO FR9080, FR9090	1	84457069	X
7	REVERSE DRIVE MECHANISM	MECHANIZM NAPĘDU WSTECZNEGO	1	84452723	

X - not in standard offer / brak w standardowej ofercie



ITEM / POZYCJA	APPLICATION	OPIS	QUANTITY OF V-BELTS IN DRIVE / ILOŚĆ PASÓW W ZESPOLE	OE PART NUMBER / NUMER KATALOGOWY	COMMENT / UWAGI
1	ALTERNATOR DRIVE, SERIAL RANGE: -C217 FOR FX28 & FX28 NA, FX38 & FX38 NA, FX48 ONLY	NAPĘD ALTERNATORA, SERIAL: -C217 DO FX28 & FX28 NA, FX38 & FX38 NA, FX48	1	84022807	X
1	ALTERNATOR DRIVE FOR FX58 & FX58 NA ONLY	NAPĘD ALTERNATORA DO FX58 & FX58 NA	1	432642	
2	FAN DRIVE, SERIAL RANGE: -C217 FOR FX28 & FX28 NA, FX38 & FX38 NA, FX48 ONLY	NAPĘD WENTYLATORA, SERIAL: -C217 DO FX28 & FX28 NA, FX38 & FX38 NA, FX48	1	84043106	
2	FAN DRIVE, SERIAL RANGE: -C217 FOR GERMANY ONLY FOR FX48 ONLY	NAPĘD WENTYLATORA, SERIAL: -C217 DLA NIEMIEC DO FX48	1	84057609	
3	FAN DRIVE, START SERIAL: D218 FOR FX28 & FX28 NA, FX38 & FX38 NA, FX48 ONLY	NAPĘD WENTYLATORA, START SERIAL: D218 DO FX28 & FX28 NA, FX38 & FX38 NA, FX48	1	84073615	
3	FAN DRIVE FOR FX58 & FX58 NA ONLY	NAPĘD WENTYLATORA DO FX58 & FX58 NA	1	84057609	
4	ENGINE, CRANKCASE - WATERPUMP - ALTERNATOR DRIVE, START SERIAL: D218 FOR ENGINE MODEL F3A E0684E*B002	SILNIK, SKRZYŃNIA KORBOWA - POMPA WODNA - NAPĘD ALTERNATORA, START SERIAL: D218 DO SILNIKA MODELE F3A E0684E*B002	1	500380059	X
4	ENGINE, CRANKCASE - WATERPUMP - ALTERNATOR DRIVE, START SERIAL: D218 "FOR ENGINE MODELS F3B E0684A*B001 - F3B E0684E*B001" FOR FX38 & FX38 NA, FX48 ONLY	SILNIK, SKRZYŃNIA KORBOWA - POMPA WODNA - NAPĘD ALTERNATORA, START SERIAL: D218 "DO SILNIKA MODELE F3B E0684A*B001 - F3B E0684E*B001" DO FX38 & FX38 NA, FX48	1	504029021	X
5	ENGINE, AIRCO COMPRESSOR DRIVE, START SERIAL: D218 FOR FX28 & FX28 NA, FX38 & FX38 NA, FX48 ONLY	SILNIK, NAPĘD KLIMATYZACJI, START SERIAL: D218 DO FX28 & FX28 NA, FX38 & FX38 NA, FX48	1	504020489	X
6	"AIRCO COMPRESSOR DRIVE / FOR FX28 & FX28 NA, FX38 & FX38 NA, FX48 ONLY"	"NAPĘD KLIMATYZACJI / DO FX28 & FX28 NA, FX38 & FX38 NA, FX48"	1	89835815	X
7	AIRCO COMPRESSOR DRIVE / FOR FX58 & FX58 NA ONLY	NAPĘD KLIMATYZACJI / DO FX58 & FX58 NA	1	452023	
8	CROP PROCESSOR CROP PROCESSOR SERIAL RANGE: -C201 CROP PROCESSOR START SERIAL: D202	UKŁADU PRZETWARZANIA ZBIORÓW UKŁADU PRZETWARZANIA ZBIORÓW SERIAL: -C201 UKŁADU PRZETWARZANIA ZBIORÓW START SERIAL: D202	1	84026761 84074137 84435248	
9	START SERIAL: D186	START SERIAL: D186	1	84054417	
10	CHOPPER BODY - MAIN DRIVE SERIAL RANGE: -C127 CHOPPER BODY - MAIN DRIVE START SERIAL: D128 FOR FX28 NA ONLY	ROZDRABNIACZ - NAPĘD GŁÓWNY SERIAL: -C127 ROZDRABNIACZ - NAPĘD GŁÓWNY START SERIAL: D128 DO FX28 NA	1	84074273 84074273	
10	CHOPPER BODY - MAIN DRIVE	ROZDRABNIACZ - NAPĘD GŁÓWNY	1	84036579	

X - not in standard offer / brak w standardowej ofercie

ITEM / POZYCJA	APPLICATION	OPIS	QUANTITY OF V-BELTS IN DRIVE / ILOŚĆ PASÓW W ZESPOLE	OE PART NUMBER / NUMER KATALOGOWY	COMMENT / UWAGI
1	ENGINE ACCESSORY FOR FX60 ONLY	OSPRZĘT SILNIKA DO FX60	1	432642	
2	"ENGINE ACCESSORY, SERIAL RANGE: -C369" FOR FX60 ONLY	"OSPRZĘT SILNIKA, SERIAL: -C369" DO FX60	1	84073615	
2	ENGINE ACCESSORY, START SERIAL: D370 FOR FX60 ONLY	OSPRZĘT SILNIKA, START SERIAL: D370 DO FX60	1	84057609	
3	ENGINE ACCESSORY FOR FX30 ONLY	OSPRZĘT SILNIKA DO FX30	1	84073615	
3	"ENGINE ACCESSORY, SERIAL RANGE: -C469" FOR FX50 NA ONLY	"OSPRZĘT SILNIKA, SERIAL: -C469" DO FX50 NA	1	84073615	
3	ENGINE ACCESSORY, START SERIAL: D470 FOR FX50 NA ONLY	OSPRZĘT SILNIKA, START SERIAL: D470 DO FX50 NA	1	84057609	
3	"ENGINE ACCESSORY, SERIAL RANGE: -C369" FOR FX40-50 ONLY	"OSPRZĘT SILNIKA, SERIAL: -C369" DO FX40-50	1	84073615	
3	ENGINE ACCESSORY, START SERIAL: D370 FOR FX40-50 ONLY	OSPRZĘT SILNIKA, START SERIAL: D370 DO FX40-50	1	84057609	
4	ENGINE, CRANKCASE - WATERPUMP - ALTERNATOR DRIVE	SILNIK, SKRZYŃNIA KORBOWA - POMPA WODNA - NAPĘD ALTERNATORA	1	500380059	X
4	"FOR ENGINE MODELS F3A E0684E*B002 - F3A E0684E*B006" ENGINE, CRANKCASE - WATERPUMP - ALTERNATOR DRIVE	"DO SILNIKA MODELE F3A E0684E*B002 - F3A E0684E*B006" SILNIK, SKRZYŃNIA KORBOWA - POMPA WODNA - NAPĘD ALTERNATORA	1	504029021	X
4	"FOR ENGINE MODELS F3A E0684A*B001 - F3B E0684A*B001 - F3B E0684A*B002 - F3B E0684E*B003" ENGINE, CRANKCASE - WATERPUMP - ALTERNATOR DRIVE	"DO SILNIKA MODELE F3A E0684A*B001 - F3B E0684A*B001 - F3B E0684A*B002 - F3B E0684E*B003" SILNIK, SKRZYŃNIA KORBOWA - POMPA WODNA - NAPĘD ALTERNATORA	1	504020489	X
5	ENGINE, AIRCO COMPRESSOR DRIVE	SILNIK, NAPĘD KLIMATYZACJI	1	504020489	X
6	ENGINE, AIRCO COMPRESSOR DRIVE FOR FX30-40-50 ONLY	SILNIK, NAPĘD KLIMATYZACJI DO FX30-40-50	1	84818008	X
7	AIRCO COMPRESSOR DRIVE FOR FX60 ONLY	NAPĘD KLIMATYZACJI DO FX60	1	452023	
8	CROP PROCESSOR CROP PROCESSOR	UKŁADU PRZETWARZANIA ZBIORÓW UKŁADU PRZETWARZANIA ZBIORÓW	1	84026761 84435248	
9			1	84054417	
9			1	84448759	X
10			1	84448759	X
11	CHOPPER BODY	ROZDRABNIACZ	1	84074273	
12			1	84449232	X
12			1	84449233	X
12			1	87531466	X
13	CROP PROCESSOR	UKŁADU PRZETWARZANIA ZBIORÓW	1	84449048	

X - not in standard offer / brak w standardowej ofercie

ITEM / POZYCJA	APPLICATION	OPIS	QUANTITY OF V-BELTS IN DRIVE / ILOŚĆ PASÓW W ZESPOLE	OE PART NUMBER / NUMER KATALOGOWY	COMMENT / UWAGI
6			1	9611905	
6			1	9502745	
7			1	89513440	
7			1	9835426	X
8			1	9502828	
8			1	9835429	
9			1	452023	
10			1	421173	
11			1	851792	
13			1	851791	X
1			1	747177	X
2			1	84058741	
3			1	89835815	X

X - not in standard offer / brak w standardowej ofercie

ITEM / POZYCJA	APPLICATION	OPIS	QUANTITY OF V-BELTS IN DRIVE / ILOŚĆ PASÓW W ZESPOLE	OE PART NUMBER / NUMER KATALOGOWY	COMMENT / UWAGI
1			1	747177	X
2			1	84058741	
3			1	89835815	X

X - not in standard offer / brak w standardowej ofercie

ITEM / POZYCJA	APPLICATION	OPIS	QUANTITY OF V-BELTS IN DRIVE / ILOŚĆ PASÓW W ZESPOLE	OE PART NUMBER / NUMER KATALOGOWY	COMMENT / UWAGI
1			1	213105	
2			1	86514256	X

X - not in standard offer / brak w standardowej ofercie

ITEM / POZYCJA	APPLICATION	OPIS	QUANTITY OF V-BELTS IN DRIVE / ILOŚĆ PASÓW W ZESPOLE	OE PART NUMBER / NUMER KATALOGOWY	COMMENT / UWAGI
1			1	378989	
1			1	189130	

X - not in standard offer / brak w standardowej ofercie

ITEM / POZYCJA	APPLICATION	OPIS	QUANTITY OF V-BELTS IN DRIVE / ILOŚĆ PASÓW W ZESPOLE	OE PART NUMBER / NUMER KATALOGOWY	COMMENT / UWAGI
1			1	80918402	X

X - not in standard offer / brak w standardowej ofercie

ITEM / POZYCJA	APPLICATION	OPIS	QUANTITY OF V-BELTS IN DRIVE / ILOŚĆ PASÓW W ZESPOLE	OE PART NUMBER / NUMER KATALOGOWY	COMMENT / UWAGI
1			1	189130	

X - not in standard offer / brak w standardowej ofercie

New Holland 400 PULL TYPE

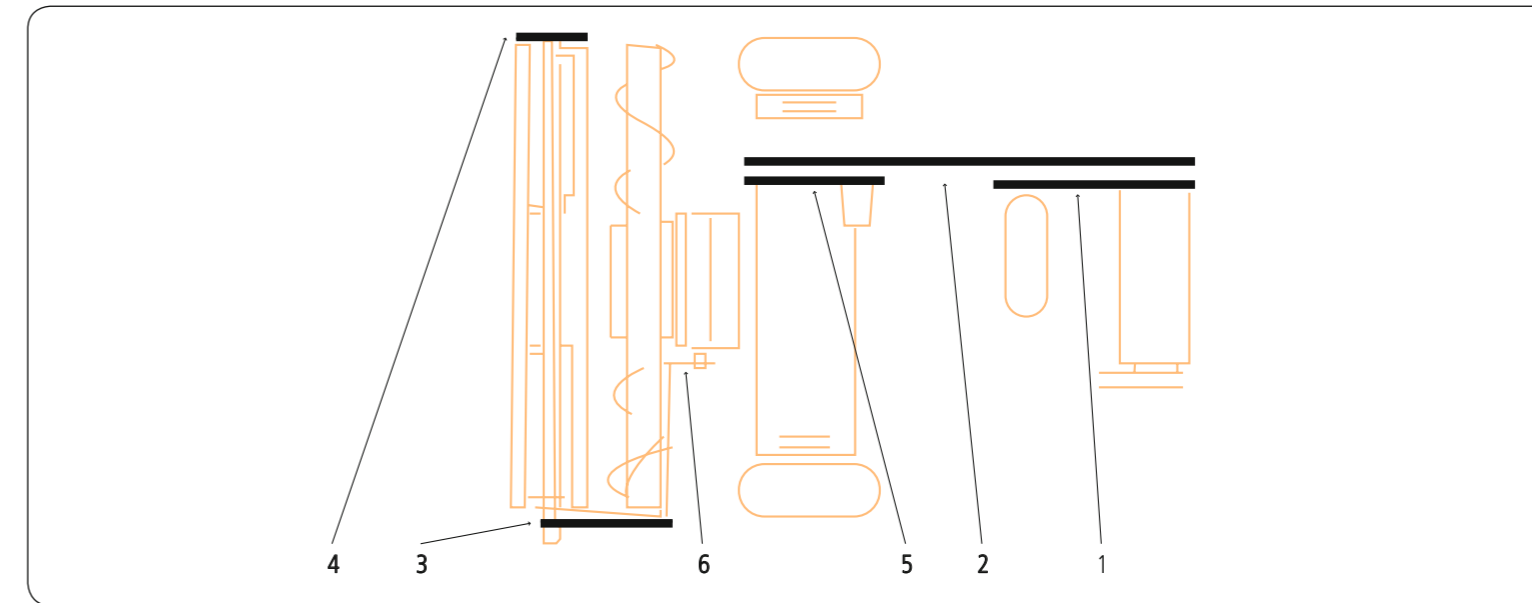
ITEM / POZYCJA	APPLICATION	OPIS	QUANTITY OF V-BELTS IN DRIVE / ILOŚĆ PASÓW W ZESPOLE	OE PART NUMBER / NUMER KATALOGOWY	COMMENT / UWAGI
1			1	740013	
2			1	748473	

X - not in standard offer / brak w standardowej ofercie

New Holland 339 - 342 PULL TYPE

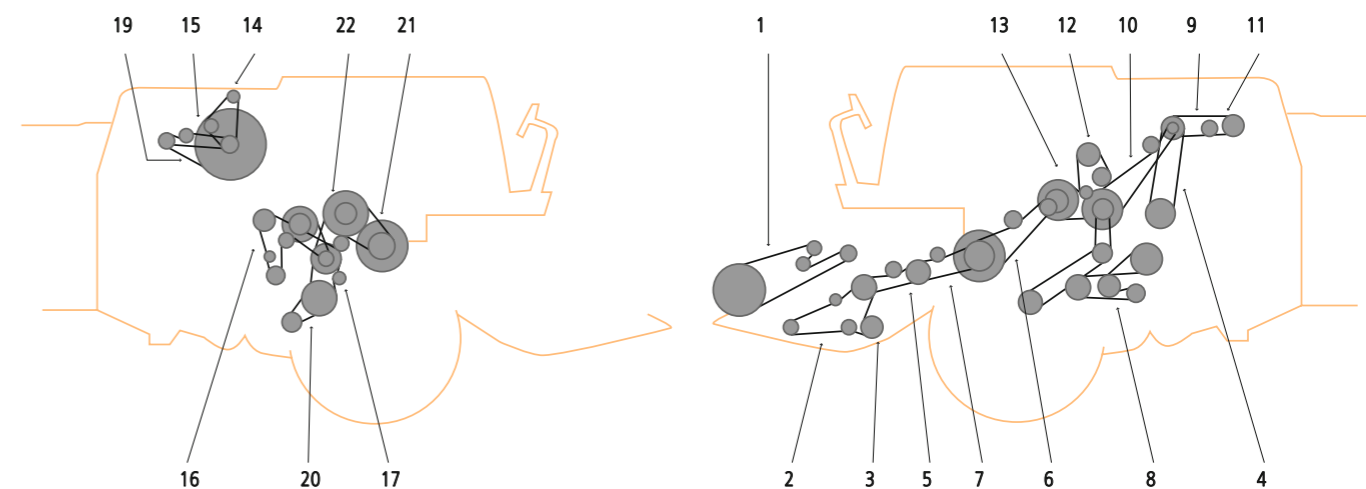
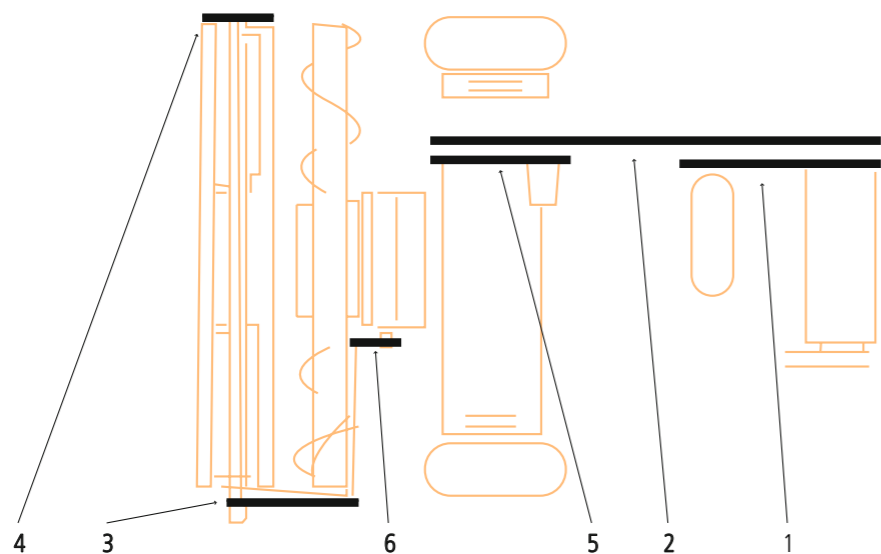
ITEM / POZYCJA	APPLICATION	OPIS	QUANTITY OF V-BELTS IN DRIVE / ILOŚĆ PASÓW W ZESPOLE	OE PART NUMBER / NUMER KATALOGOWY	COMMENT / UWAGI
1				565498	

X - not in standard offer / brak w standardowej ofercie



ITEM / POZYCJA	APPLICATION	OPIS	QUANTITY OF V-BELTS IN DRIVE / ILOŚĆ PASÓW W ZESPOLE	OE PART NUMBER / NUMER KATALOGOWY	COMMENT / UWAGI
1	REEL DRIVE	NAPĘD MOTOWIDŁA	1	80333255	
2	KNIFE DRIVE	NAPĘD KOSY	1	80337415	
3	REEL DRIVE	NAPĘD MOTOWIDŁA	1	80334065	
4	INTERMEDIATE SHAFT - KNIFE	NAPĘD POŚREDNI HEDERA	1	80330715	
5	STRAW ELEVATOR DRIVE	NAPĘD PRZENOŚNIKA POCHYLEGO	1	80230059	
6	GROUND SPEED DRIVE	NAPĘD JAZDY	1	80364418	X
7	BEATER DRIVE	NAPĘD MŁOCARNI	1	80230079	
8	HYDRAULIC PUMP DRIVE	NAPĘD POMPY HYDRAULICZNEJ	1	80230043	
9	GROUND SPEED DRIVE	NAPĘD JAZDY	1	80328424	
10	SHAKER SHOE DRIVE	NAPĘD KOSZA SITOWEGO	1	80230061	
11	STRAW WALKER DRIVE	NAPĘD WYTRZĄSACZY	1	80230046	
12	BLOWER DRIVE	NAPĘD WENTYLATORA SILNIKA	1	80327040	
13	ALTERNATOR DRIVE	NAPĘD ALTERNATORA	1	80327041	
14	RADIATOR FAN	NAPĘD WENTYLATORA CHŁODNICY	1	80371222	
15	TAILINGS ELEVATOR DRIVE	NAPĘD PRZENOŚNIKA KŁOSOWEGO	1	80230046	
16	UNLOADER DRIVE	NAPĘD WYSYPU	1	80326298	
17	DRUM DRIVE	NAPĘD BĘBNA MŁÓCĄCEGO	1	80230078	
18	CLEANING FAN DRIVE	NAPĘD WIALNI CZYSZCZĄCEJ	1	80330204	

X - not in standard offer / brak w standardowej ofercie



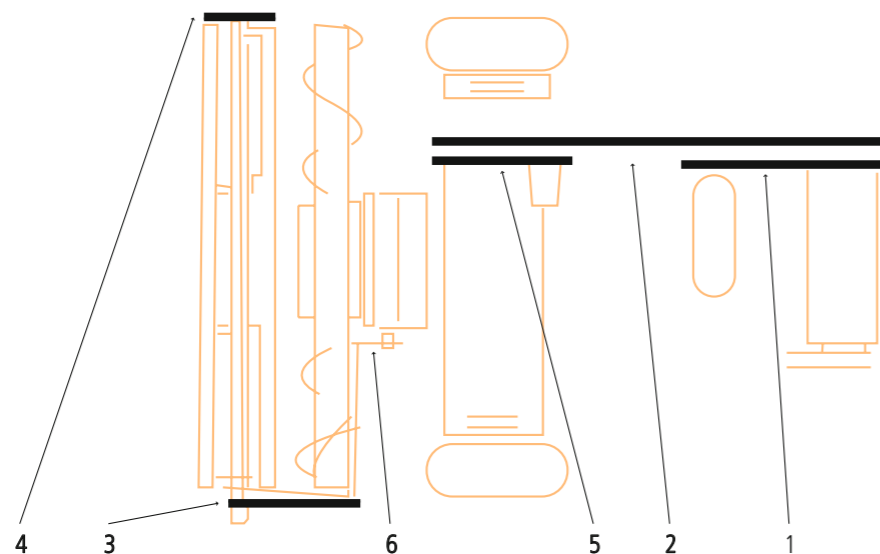
ITEM / POZYCJA	APPLICATION	OPIS	QUANTITY OF V-BELTS IN DRIVE / ILOŚĆ PASÓW W ZESPOLE	OE PART NUMBER / NUMER KATALOGOWY	COMMENT / UWAGI
1	REEL DRIVE	NAPĘD MOTOWIDŁA	1	80333255	
2	KNIFE DRIVE	NAPĘD KOSY	1	80337415	
3	REEL DRIVE	NAPĘD MOTOWIDŁA	1	80334065	
4	INTERMEDIATE KNIFE DRIVE	NAPĘD POŚREDNI HEDERA	1	80330715	
5	STRAW ELEVATOR DRIVE	NAPĘD PRZENOŚNIKA POCHYLEGO	1	80230073	
6	SHAKER SHOE DRIVE	NAPĘD KOSZA SITOWEGO	1	80230060	
8	BEATER DRIVE	NAPĘD MŁOCARNI	1	80230080	
8	AUGER DRIVE	NAPĘD ŚLIMAKA	1	80309364	
9	HYDRAULIC PUMP DRIVE	NAPĘD POMPY HYDRAULICZNEJ	1	80230043	
11	RADIATOR FAN	NAPĘD WENTYLATORA CHŁODNICY	1	80336386	
12	ALTERNATOR DRIVE	NAPĘD ALTERNATORA	1	80336426	
12	ALTERNATOR DRIVE	NAPĘD ALTERNATORA	1	80386155	X
13	RADIATOR FAN	NAPĘD WENTYLATORA CHŁODNICY	1	80371222	
14	GRAIN ELEVATOR DRIVE	NAPĘD PRZENOŚNIKA ZIARNOWEGO	1	80230059	
14	GRAIN ELEVATOR DRIVE	NAPĘD PRZENOŚNIKA ZIARNOWEGO	1	80230062	
15	RADIATOR FAN	NAPĘD WENTYLATORA CHŁODNICY	1	80353882	X
16	TAILINGS ELEVATOR DRIVE	NAPĘD PRZENOŚNIKA KŁOSOWEGO	1	80230057	
17	RETURN AUGER DRIVE	NAPĘD ŚLIMAKA PRZENOŚNIKA KŁOSOWEGO	1	80230041	
18	UNLOADER DRIVE	NAPĘD WYSYPU	1	80230103	
19	DRUM DRIVE	NAPĘD BĘBNA MŁÓCĄCEGO	1	80230078	
20	CLEANING FAN DRIVE	NAPĘD WIALNI CZYSZCZĄCEJ	1	80230056	
21	WALKERS TRANSMISSION - SHAKER SHOE TRANSMISSION	NAPĘD KOSZA SITOWEGO	1	80230108	

X - not in standard offer / brak w standardowej ofercie

ITEM / POZYCJA	APPLICATION	OPIS	QUANTITY OF V-BELTS IN DRIVE / ILOŚĆ PASÓW W ZESPOLE	OE PART NUMBER / NUMER KATALOGOWY	COMMENT / UWAGI
0	HYDRAULIC PUMP DRIVE	NAPĘD POMPY HYDRAULICZNEJ	1	80350236	
0	HYDRAULIC PUMP DRIVE	NAPĘD POMPY HYDRAULICZNEJ	1	80398748	
1	REEL DRIVE	NAPĘD MOTOWIDŁA	1	80333255	
2	KNIFE DRIVE	NAPĘD KOSY	1	80337415	
3	REEL DRIVE	NAPĘD MOTOWIDŁA	1	80334065	
4	SICKLE KNIFE DRIVE	NAPĘD NOŻY KOSY	2	80362500	
5	DRUM DRIVE	NAPĘD BĘBNA MŁÓCĄCEGO	1	80336784	
6	HYDRAULIC PUMP DRIVE	NAPĘD POMPY HYDRAULICZNEJ	2	80335258	
7	MAIN SHAFT DRIVE	NAPĘD MŁOCARNI	1	80323646	
8	UNLOADING SYSTEM	SYSTEM ROZŁADUNKU	1	80333958	
9	DRUM DRIVE	NAPĘD BĘBNA MŁÓCĄCEGO	1	80336784	
9	DRUM DRIVE	NAPĘD BĘBNA MŁÓCĄCEGO	1	80355797	
12	GRAIN ELEVATOR DRIVE	NAPĘD PRZENOŚNIKA ZIARNOWEGO	1	80230164	
12	GRAIN ELEVATOR DRIVE	NAPĘD PRZENOŚNIKA ZIARNOWEGO	1	80353584	
13	ROTARY SCREEN DRIVE	NAPĘD KOSZA CHŁODNICY	1	80354338	X
14	TAILINGS ELEVATOR DRIVE	NAPĘD PRZENOŚNIKA KŁOSOWEGO	1	80323413	
15	INTERMEDIATE REEL - KNIFE	NAPĘD POŚREDNI HEDERA	1	80324391	
16	FAN DRIVE	NAPĘD WENTYLATORA	1	80230059	
17	ECCENTRIC AND STRAW WALKER DRIVE	NAPĘD WAŁKA POŚREDNIEGO	1	80333347	
17	ECCENTRIC AND STRAW WALKER DRIVE	NAPĘD WAŁKA POŚREDNIEGO	1	80378672	
18	FAN DRIVE	NAPĘD WENTYLATORA	1	80320935	X
19	DEUTZ ENGINE		1	80336386	
19	FORD ENGINE		1	80371222	
19	DEUTZ ENGINE		1	80386155	X

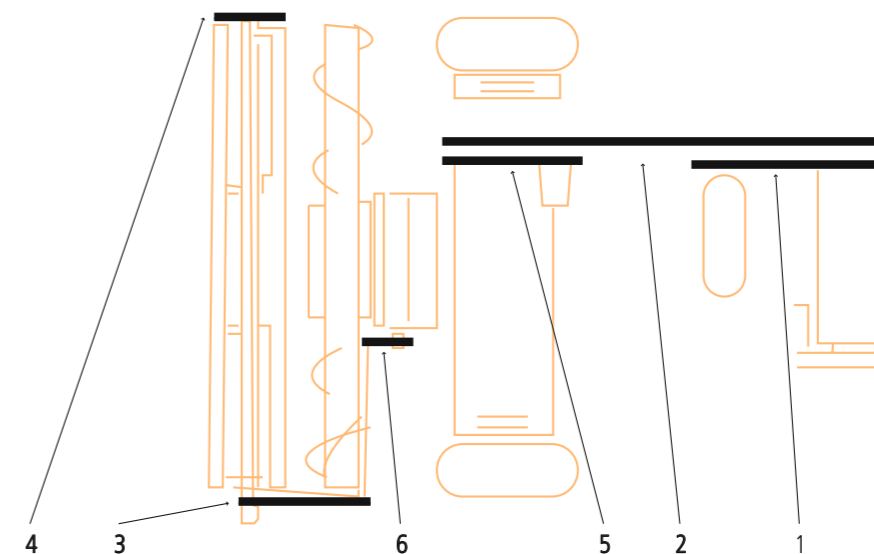
X - not in standard offer / brak w standardowej ofercie





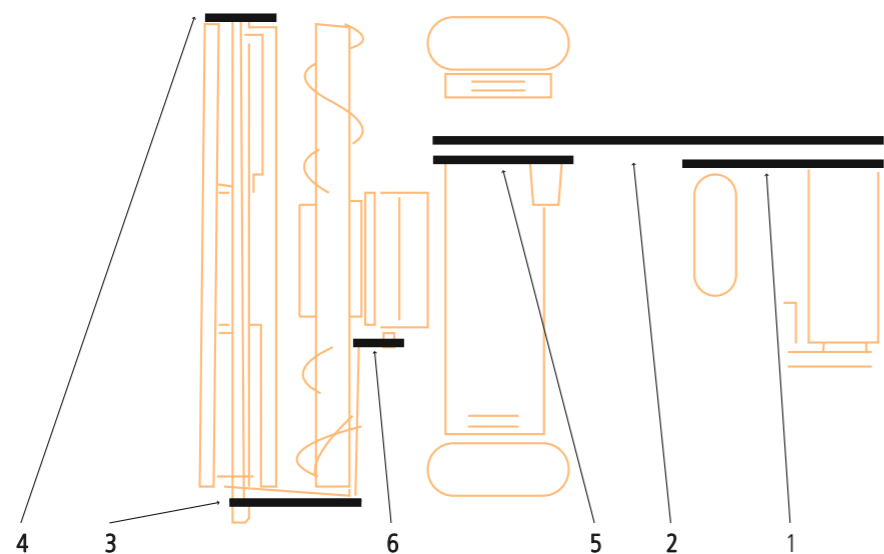
ITEM / POZYCJA	APPLICATION	OPIS	QUANTITY OF V-BELTS IN DRIVE / ILOŚĆ PASÓW W ZESPOLE	OE PART NUMBER / NUMER KATALOGOWY	COMMENT / UWAGI
1	REEL DRIVE	NAPĘD MOTOWIDŁA	1	80333255	
2	KNIFE DRIVE	NAPĘD KOSY	1	80337415	
3	REEL DRIVE	NAPĘD MOTOWIDŁA	1	80334065	
4	INTERMEDIATE SHAFT. KNIFE	NAPĘD POŚREDNI HEDERA	1	80643353	
5	STRAW ELEVATOR DRIVE	NAPĘD PRZENOŚNIKA POCHYLEGO	1	80230073	
6	SHAKER SHOE DRIVE	NAPĘD KOSZA SITOWEGO	1	80230060	
8	BEATER DRIVE	NAPĘD BĘBNA MŁÓCĄCEGO	1	80230080	
9	HYDRAULIC PUMP DRIVE	NAPĘD POMPY HYDRAULICZNEJ	1	80230043	
10	UNLOADER DRIVE	NAPĘD WYSYPU	1	80309364	
11	STRAW WALKER DRIVE	NAPĘD WYTRZAŚCZY	1	80230108	
12	RADIATOR FAN	NAPĘD WENTYLATORA CHŁODNICY	1	80371222	
13	GRAIN ELEVATOR DRIVE	NAPĘD PRZENOŚNIKA ZIARNOWEGO	1	80230059	
13	GRAIN ELEVATOR	NAPĘD PRZENOŚNIKA ZIARNOWEGO	1	80230062	
14	TAILINGS ELEVATOR DRIVE	NAPĘD PRZENOŚNIKA KŁOSOWEGO	1	80230057	
15	RETURN AUGER DRIVE	NAPĘD PRZENOŚNIKA KŁOSOWEGO	1	80230041	
16	DRUM DRIVE	NAPĘD BĘBNA MŁÓCĄCEGO	1	80230078	
17	CLEANING FAN DRIVE	NAPĘD WIALNI CZYSZCZĄCEJ	1	80230056	

X - not in standard offer / brak w standardowej ofercie



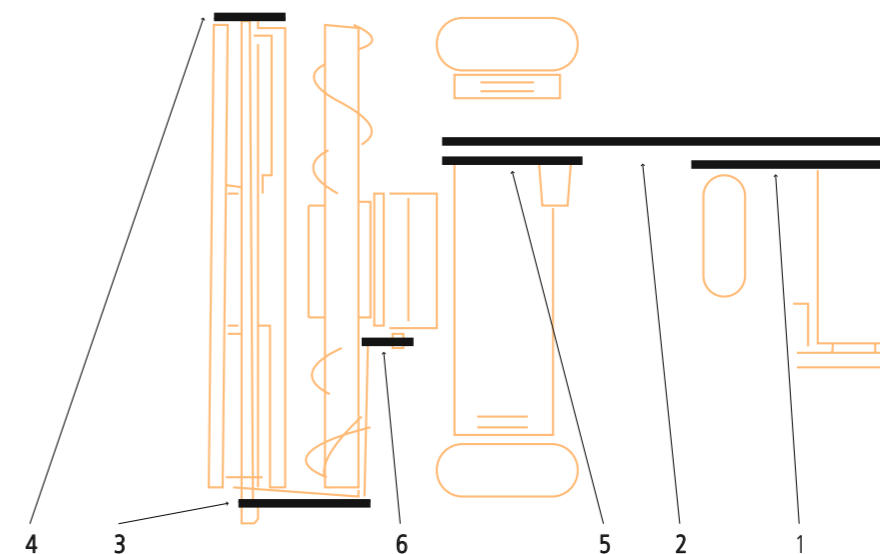
ITEM / POZYCJA	APPLICATION	OPIS	QUANTITY OF V-BELTS IN DRIVE / ILOŚĆ PASÓW W ZESPOLE	OE PART NUMBER / NUMER KATALOGOWY	COMMENT / UWAGI
1	REEL DRIVE	NAPĘD MOTOWIDŁA	1	80333255	
2	KNIFE DRIVE	NAPĘD KOSY	1	80337415	
3	REEL DRIVE	NAPĘD MOTOWIDŁA	1	80334065	
4	INTERMEDIATE SHAFT. KNIFE	NAPĘD WAŁKA POŚREDNIEGO NAPĘDU KOSY	2	80362500	
5	DRUM DRIVE	NAPĘD BĘBNA MŁÓCĄCEGO	1	80336784	
6	HYDRAULIC PUMP DRIVE	NAPĘD POMPY HYDRAULICZNEJ	1	80230043	
6	HYDRAULIC PUMP DRIVE	NAPĘD POMPY HYDRAULICZNEJ	2	80335258	
7	MAIN SHAFT DRIVE	NAPĘD GŁÓWNY	1	80323646	
8	UNLOADER DRIVE	NAPĘD WYSYPU	1	80333958	
9	DRUM DRIVE	NAPĘD BĘBNA MŁÓCĄCEGO	1	80336784	
9	DRUM DRIVE	NAPĘD BĘBNA MŁÓCĄCEGO	1	80355797	
10	GROUND SPEED DRIVE	NAPĘD JAZDY	1	80356025	
11	GROUND SPEED DRIVE	NAPĘD JAZDY	1	80356025	
12	RADIATOR FAN	NAPĘD WENTYLATORA CHŁODNICY	1	80364033	
13	RADIATOR FAN	NAPĘD WENTYLATORA CHŁODNICY	1	80230039	
14	GRAIN ELEVATOR	NAPĘD PRZENOŚNIKA ZIARNOWEGO	1	80230164	
15	TAILINGS ELEVATOR DRIVE	NAPĘD PRZENOŚNIKA KŁOSOWEGO	1	80354338	X
16	TAILINGS ELEVATOR DRIVE	NAPĘD PRZENOŚNIKA KŁOSOWEGO	1	80323413	
17	INTERMEDIATE REEL - KNIFE	NAPĘD POŚREDNI HEDERA	1	80324391	
18	CLEANING FAN DRIVE	NAPĘD WIALNI CZYSZCZĄCEJ	1	80320059	
19	STRAW WALKER DRIVE	NAPĘD WYTRZAŚCZY	1	80333347	
19	STRAW WALKER DRIVE	NAPĘD WYTRZAŚCZY	1	80378672	
20	CLEANING FAN DRIVE	NAPĘD WIALNI CZYSZCZĄCEJ	1	80320935	X
21	GRAIN ELEVATOR	NAPĘD PRZENOŚNIKA ZBOŻOWEGO	1	80353584	
21	CENTRIFUGAL SEPARATOR	ROZDZIELACZ ODŚRODKOWY	1	80356913	

X - not in standard offer / brak w standardowej ofercie



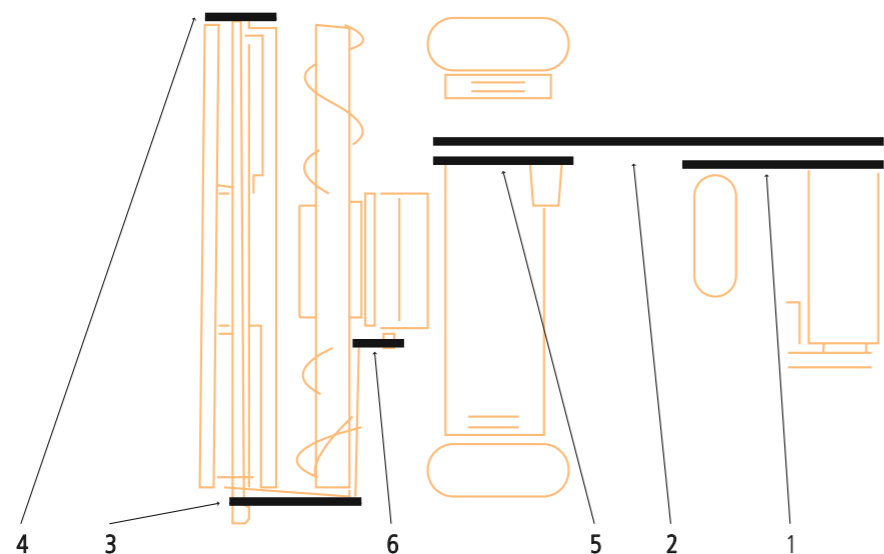
ITEM / POZYCJA	APPLICATION	OPIS	QUANTITY OF V-BELTS IN DRIVE / ILOŚĆ PASÓW W ZESPOLE	OE PART NUMBER / NUMER KATALOGOWY	COMMENT / UWAGI
2	RADIATOR FAN	NAPĘD WENTYLATORA CHŁODNICY	1	80443634	
3	HYDRAULIC PUMP DRIVE	NAPĘD POMPY HYDRAULICZNEJ	1	80393519	
4	UNLOADER DRIVE	NAPĘD WYSYPU	1	80422725	
6	DRUM DRIVE	NAPĘD BĘBNA MŁÓCĄCEGO	1	80336784	
7	CLEANING FAN DRIVE	NAPĘD WIALNI CZYSZCZĄCEJ	1	80230057	
8	CLEANING FAN DRIVE	NAPĘD WIALNI CZYSZCZĄCEJ	1	80395955	
9	ECCENTRIC AND STRAW WALKER DRIVE	NAPĘD WAŁKA POŚREDNIEGO	1	80431784	
13	ELEVATOR DRIVE	NAPĘD ZESPOŁU PRZENOŚNIKA ZIARNOWEGO	1	80422731	
15	ECCENTRIC DRIVE	NAPĘD POŚREDNI WIALNI	1	80387469	
16	STRAW ELEVATOR DRIVE	NAPĘD PRZENOŚNIKA POCHYLEGO	1	80066232	
17	HEADER DRIVE	NAPĘD HEDERA	1	80330715	

X - not in standard offer / brak w standardowej ofercie



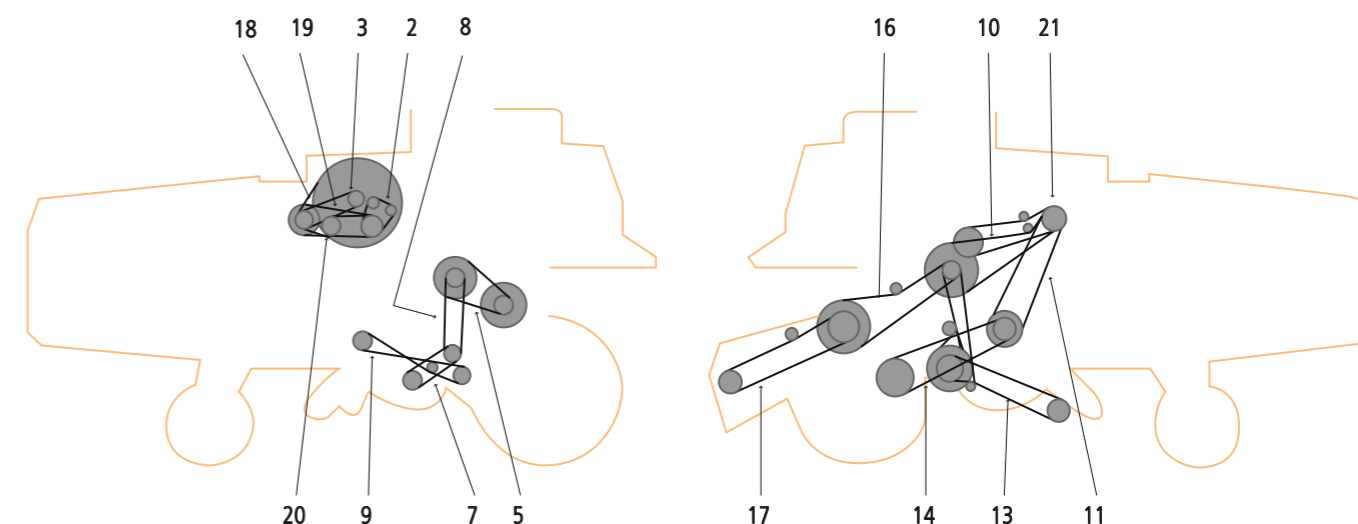
ITEM / POZYCJA	APPLICATION	OPIS	QUANTITY OF V-BELTS IN DRIVE / ILOŚĆ PASÓW W ZESPOLE	OE PART NUMBER / NUMER KATALOGOWY	COMMENT / UWAGI
2	ALTERNATOR AND WATER PUMP DRIVE	NAPĘD ALTERNATORA, WENTYLATORA POMPY WODNEJ	1	80443634	
2	ALTERNATOR DRIVE	NAPĘD ALTERNATORA	2	80443636	X
3	RADIATOR FAN DRIVE	NAPĘD ROTORA KOSZA CHŁODNICY	1	80427455	
5	DRUM DRIVE	NAPĘD BĘBNA MŁÓCĄCEGO	1	80336784	
7	UPPER CLEANING FAN DRIVE	NAPĘD GÓRNY WIALNI CZYSZCZĄCEJ	1	80230057	
8	LOWER CLEANING FAN DRIVE	NAPĘD DOLNY WIALNI CZYSZCZĄCEJ	1	80395955	
9	STRAW WALKER DRIVE	NAPĘD WYTRZĄSACZY	1	80431784	
10	BEATER DRIVE	NAPĘD BĘBNA MŁÓCĄCEGO	1	80422281	
13	GRAIN ELEVATOR BOTTOM AUGER	NAPĘD PRZENOŚNIKA ZBOŻOWEGO	1	80422731	
15	ECCENTRIC SHAFT DRIVE	NAPĘD POŚREDNI WIALNI	1	80387469	
16	STRAW ELEVATOR DRIVE	NAPĘD PRZENOŚNIKA POCHYLEGO	1	80066232	
17	HEADER DRIVE	NAPĘD HEDERA	1	80330715	
18	ROTARY DUST SCREEN DRIVE	NAPĘD ROTORA KOSZA CHŁODNICY	1	80422441	
19	INTERMEDIATE SHAFT DRIVE FOR FAN	NAPĘD POŚREDNI KOSZA FILTRACYJNEGO CHŁODNICY	1	80427456	
20	HYDRAULIC PUMP DRIVE	NAPĘD POMPY HYDRAULICZNEJ	1	80393519	
21	GRAIN TANK BOTTOM AUGER	NAPĘD DOLNEGO ŚLIMAKA ZBIORNIKA ZBOŻA	1	80230164	

X - not in standard offer / brak w standardowej ofercie



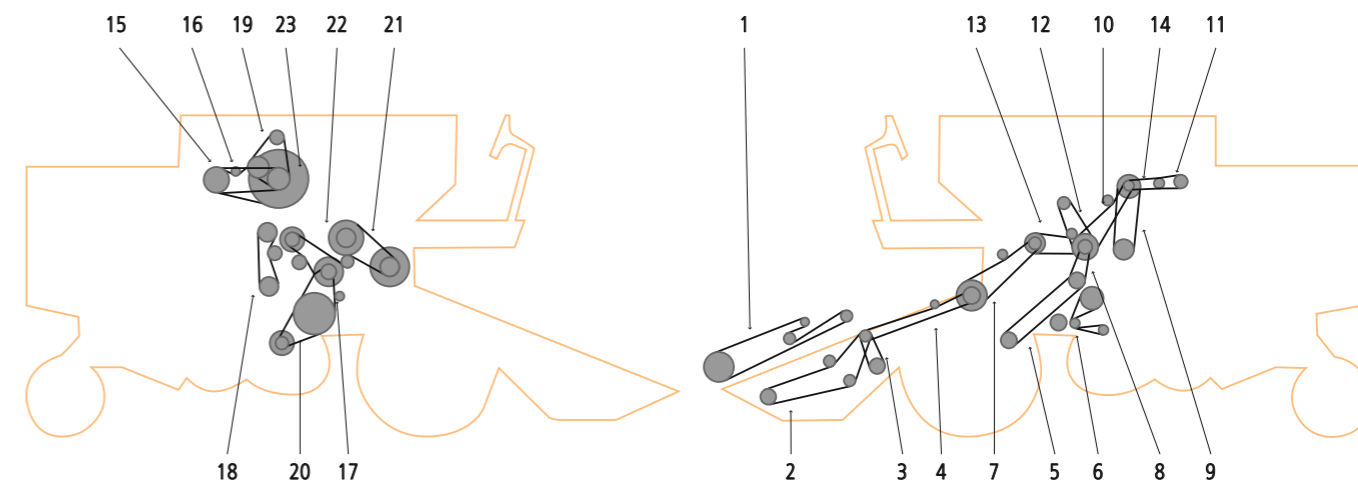
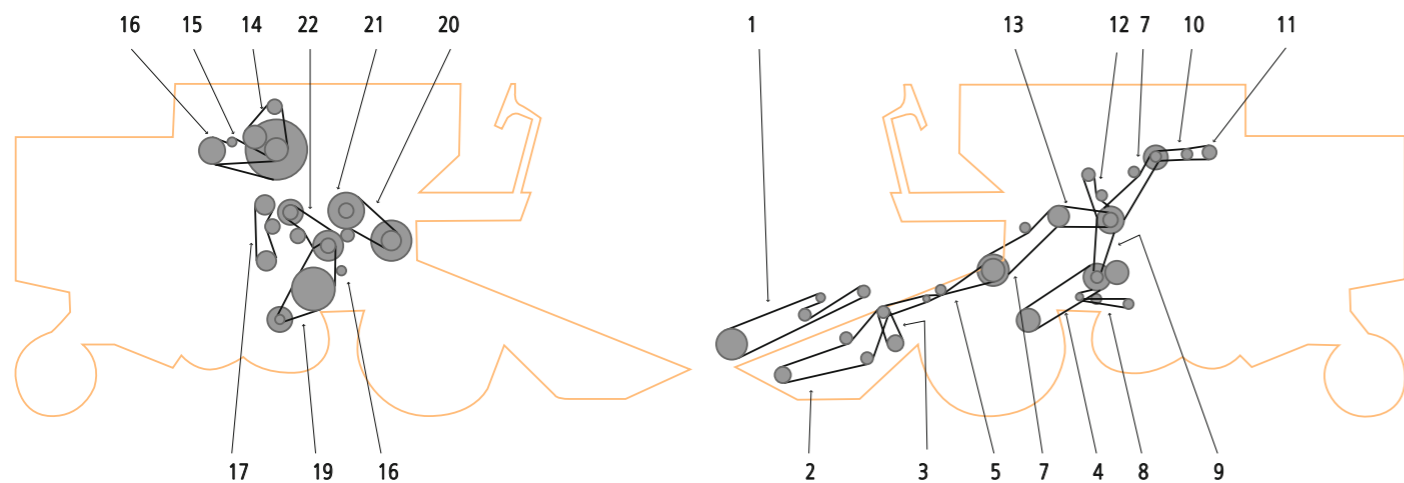
ITEM / POZYCJA	APPLICATION	OPIS	QUANTITY OF V-BELTS IN DRIVE / ILOŚĆ PASÓW W ZESPOLE	OE PART NUMBER / NUMER KATALOGOWY	COMMENT / UWAGI
1	REEL DRIVE	NAPĘD MOTOWIDŁA	1	80333255	
2	KNIFE DRIVE	NAPĘD KOSY	1	80337415	
3	REEL DRIVE	NAPĘD MOTOWIDŁA	1	80334065	
5	INTERMEDIATE SHAFT	NAPĘD PRZENOŚNIKA POCHYLEGO	1	80643353	
6	STRAW WALKER	NAPĘD PRZENOŚNIKA POCHYLEGO	1	80393326	
7	INTERMEDIATE DRIVE	NAPĘD GŁÓWNY	1	80397297	
8	STRAW WALKER DRIVE	NAPĘD WYTRZĄSACZY	1	80605529	
11	HYDRAULIC PUMP DRIVE	NAPĘD POMPY HYDRAULICZNEJ	1	80230151	
12	ROTARY SCREEN DRIVE	NAPĘD ROTORA KOSZA FILTRACYJNEGO	1	80389245	
13	DISCHARGE AUGER	NAPĘD POŚREDNI WYSYPY ZBIORNIKA ZBOŻA	1	80410896	
14	MAIN SHAFT DRIVE	NAPĘD MŁOCARNI	1	80397298	
15	ALTERNATOR DRIVE	NAPĘD ALTERNATORA	1	80371222	
16	FAN DRIVE	NAPĘD ROTORA KOSZA	1	80399058	
17	DUST FILTER	NAPĘD ROTORA KOSZA CHŁODNICY	1	80381489	
18	ELEVATOR DRIVE	NAPĘD PRZENOŚNIKA	1	80387469	
19	CLEANING FAN DRIVE	NAPĘD WIALNI CZYSZCZĄCEJ	2	80378989	
20	LOWER FAN DRIVE	NAPĘD DOLNY WIALNI CZYSZCZĄCEJ	1	80388280	
21	CYLINDER DRIVE	NAPĘD BĘBNA MŁÓCĄCEGO	1	80336784	
22	CYLINDER DRIVE	NAPĘD BĘBNA MŁÓCĄCEGO	2	80396750	
23	SEPARATOR DRIVE	NAPĘD SEPARATORA	1	80395955	

X - not in standard offer / brak w standardowej ofercie



ITEM / POZYCJA	APPLICATION	OPIS	QUANTITY OF V-BELTS IN DRIVE / ILOŚĆ PASÓW W ZESPOLE	OE PART NUMBER / NUMER KATALOGOWY	COMMENT / UWAGI
2	ALTERNATOR AND WATER PUMP DRIVE	NAPĘD ALTERNATORA, WENTYLATORA, POMPY WODNEJ	1	80443634	
2	ALTERNATOR AND WATER PUMP DRIVE	NAPĘD ALTERNATORA, WENTYLATORA, POMPY WODNEJ	1	80444045	X
3	RADIATOR FAN	NAPĘD WENTYLATORA CHŁODNICY	1	80427455	
5	DRUM DRIVE	NAPĘD BĘBNA MŁÓCĄCEGO	1	80336784	
7	FAN DRIVE	NAPĘD GÓRNY WIALNI CZYSZCZĄCEJ	1	80230057	
8	FAN DRIVE	NAPĘD DOLNY WIALNI CZYSZCZĄCEJ	1	80395955	
9	STRAW WALKER DRIVE	NAPĘD WYTRZĄSACZY	1	80431784	
10	BEATER DRIVE	NAPĘD BĘBNA MŁÓCĄCEGO	1	80447031	
13	GRAIN ELEVATOR BOTTOM AUGER	NAPĘD DOLNY ŚLIMAKA PRZENOŚNIKA ZBOŻOWEGO	1	80422731	
15	ECCENTRIC SHAFT DRIVE	NAPĘD POŚREDNI WIALNI	1	80387469	
16	STRAW ELEVATOR DRIVE	NAPĘD PRZENOŚNIKA POCHYLEGO	1	80066232	
16	STRAW ELEVATOR DRIVE	NAPĘD PRZENOŚNIKA POCHYLEGO	1	80424563	
17	HEADER DRIVE	NAPĘD HEDERA	2	80394426	
18	ROTARY DUST SCREEN DRIVE	NAPĘD ROTORA KOSZA FILTRACYJNEGO	1	80422441	
19	INTERMEDIATE SHAFT (DUST SCREEN DRIVE)	NAPĘD KOSZA CHŁODNICY	1	80427456	
20	HYDRAULIC PUMP DRIVE	NAPĘD POMPY HYDRAULICZNEJ	1	80393519	
21	INTERMEDIATE DRIVE SHAFT	NAPĘD POŚREDNI ŚLIMAKA WYSYPY	1	80447041	

X - not in standard offer / brak w standardowej ofercie

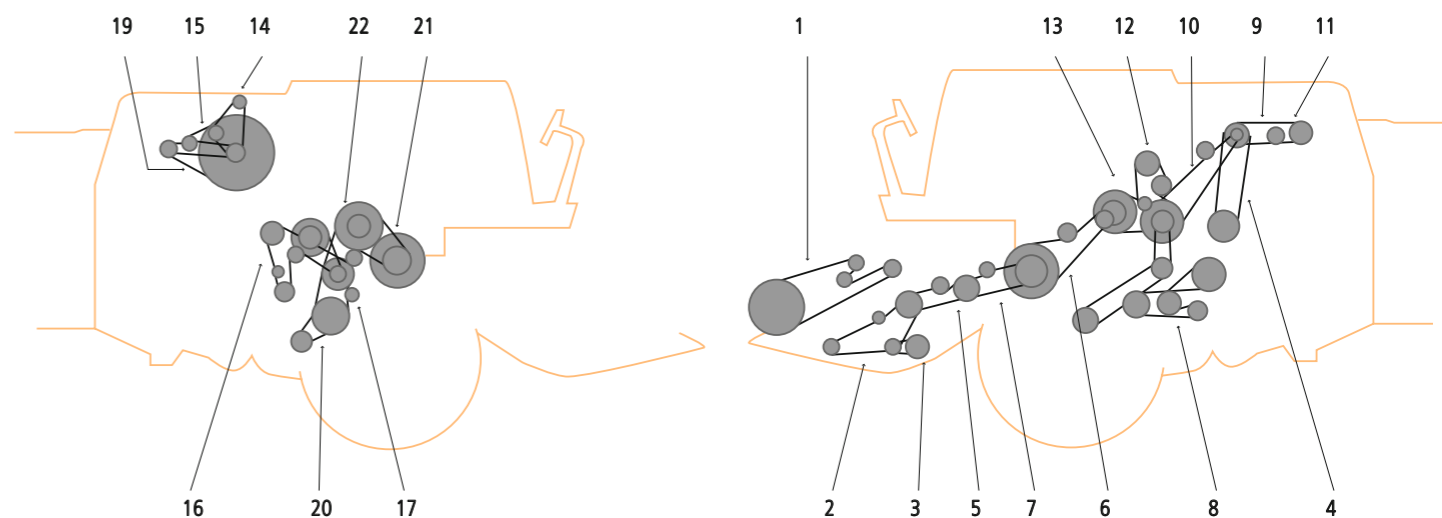
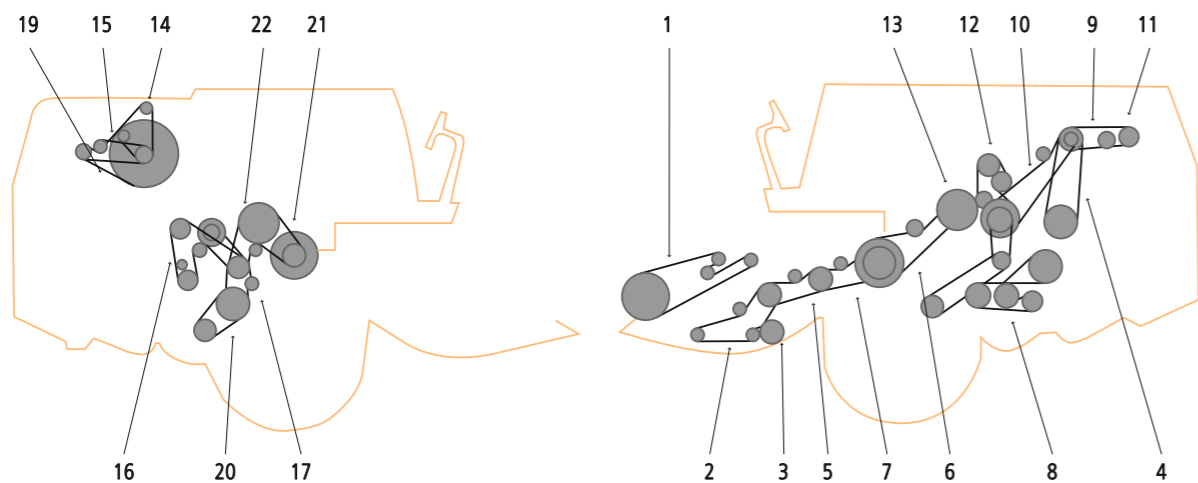


ITEM / POZYCJA	APPLICATION	OPIS	QUANTITY OF V-BELTS IN DRIVE / ILOŚĆ PASÓW W ZESPOLE	OE PART NUMBER / NUMER KATALOGOWY	COMMENT / UWAGI
1	REEL DRIVE	NAPĘD MOTOWIDŁA	1	80333255	
2	KNIFE DRIVE	NAPĘD KOSY	1	80337415	
3	REEL DRIVE	NAPĘD MOTOWIDŁA	1	80334065	
5	CUTTING TABLE	NAPĘD PRZENOŚNIKA POCHYLEGO	2	80394426	
6	STRAW WALKER	NAPĘD POŚREDNI HEDERA	1	80393326	
7	INTERMEDIATE DRIVE	NAPĘD POŚREDNI MŁOCARNI	1	80397297	
8	STRAW WALKER DRIVE	NAPĘD WYTRZĄSACZY	1	80605529	
10	HYDRAULIC PUMP DRIVE	NAPĘD POMPY HYDRAULICZNEJ	1	80230151	
11	ROTARY DUST SCREEN DRIVE	NAPĘD ROTORA KOSZA CHŁODNICY	1	80389245	
12	UNLOADER AUGER DRIVE	NAPĘD ŚLIMAKA WYSYPU ZBIORNIKA	1	80410896	
13	MAIN SHAFT DRIVE	NAPĘD MŁOCARNI	1	80397298	
14	ALTERNATOR DRIVE	NAPĘD ALTERNATORA	1	80421173	
14	ALTERNATOR DRIVE	NAPĘD ALTERNATORA	1	80371222	
15	FAN DRIVE	NAPĘD WAŁKA POŚREDNIEGO KOSZA CHŁODNICY	1	80399058	
16	DUST SCREEN DRIVE	NAPĘD KOSZA CHŁODNICY	1	80381489	
17	TAILINGS ELEVATOR DRIVE	NAPĘD ŚLIMAKA ZAŁADUNKU ZBOŻA	1	80387469	
18	CLEANING FAN DRIVE	NAPĘD WIALNI CZYSZCZĄCEJ	2	80378989	
19	CLEANING FAN DRIVE	NAPĘD WIALNI CZYSZCZĄCEJ	1	80388280	
20	DRUM DRIVE	NAPĘD BĘBNA MŁÓCĄCEGO	1	80336784	
21	COUNTER SHAFT DRIVE	NAPĘD POŚREDNI MŁOCARNI	2	80396750	
22	COUNTER SHAFT DRIVE	NAPĘD POŚREDNI MŁOCARNI	1	80395955	

X - not in standard offer / brak w standardowej ofercie

ITEM / POZYCJA	APPLICATION	OPIS	QUANTITY OF V-BELTS IN DRIVE / ILOŚĆ PASÓW W ZESPOLE	OE PART NUMBER / NUMER KATALOGOWY	COMMENT / UWAGI
1	REEL DRIVE	NAPĘD MOTOWIDŁA	1	80333255	
2	KNIFE DRIVE	NAPĘD KOSY	1	80337415	
3	REEL DRIVE	NAPĘD MOTOWIDŁA	1	80334065	
4	HEADER DRIVE	NAPĘD HEDERA	2	80394426	
5	GROUND SPEED DRIVE	NAPĘD JAZDY	1	80356025	
6	GROUND SPEED DRIVE	NAPĘD JAZDY	1	80417643	
6	GROUND SPEED DRIVE	NAPĘD JAZDY	1	80321559	
7	STRAW ELEVATOR DRIVE	NAPĘD PRZENOŚNIKA POCHYLEGO	1	80393326	
8	STRAW WALKER DRIVE	NAPĘD WYTRZĄSACZY	1	80605529	
9	HYDROSTATIC DRIVE	NAPĘD HYDROSTATYCZNY	1	80411543	
10	DRUM DRIVE	NAPĘD BĘBNA MŁÓCĄCEGO	1	80391650	
11	INTERMEDIATE DRIVE SHAFT	NAPĘD WAŁKA POŚREDNIEGO	1	80389245	
12	UNLOADER AUGER DRIVE	NAPĘD ŚLIMAKA WYSYPU ZBIORNIKA	1	80410896	
13	MAIN SHAFT DRIVE	NAPĘD MŁOCARNI	1	80387454	
13	MAIN SHAFT DRIVE	NAPĘD MŁOCARNI	1	80451481	
14	HYDRAULIC PUMP DRIVE	NAPĘD POMPY HYDRAULICZNEJ	1	80230151	
15	COOLER	NAPĘD ROTORA KOSZA CHŁODNICY	1	80384397	
16	DUST SCREEN DRIVE	NAPĘD KOSZA CHŁODNICY	1	80381489	
17	CLEANING FAN DRIVE	NAPĘD WIALNI CZYSZCZĄCEJ	2	80378989	
18	TAILINGS ELEVATOR DRIVE	NAPĘD ELEWATORA KŁOSOWEGO	1	80387469	
19	ALTERNATOR DRIVE	NAPĘD ALTERNATORA	1	80421173	
19	ALTERNATOR DRIVE	NAPĘD ALTERNATORA	1	80371222	
20	CLEANING FAN DRIVE	NAPĘD WIALNI CZYSZCZĄCEJ	1	80388280	
21	DRUM DRIVE	NAPĘD BĘBNA MŁÓCĄCEGO	1	80387460	
22	COUNTERSHAFT DRIVE	NAPĘD POŚREDNI	2	80396750	
22	COUNTERSHAFT DRIVE	NAPĘD POŚREDNI	2	80437033	
23	COUNTERSHAFT DRIVE	NAPĘD POŚREDNI	1	80395955	

X - not in standard offer / brak w standardowej ofercie



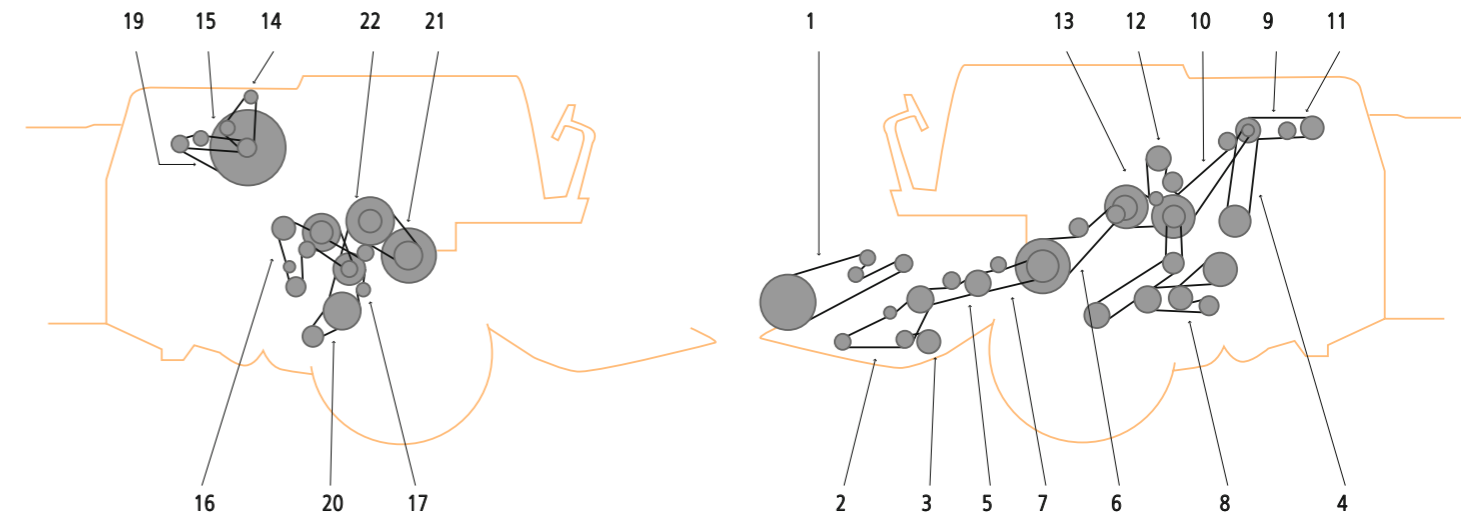
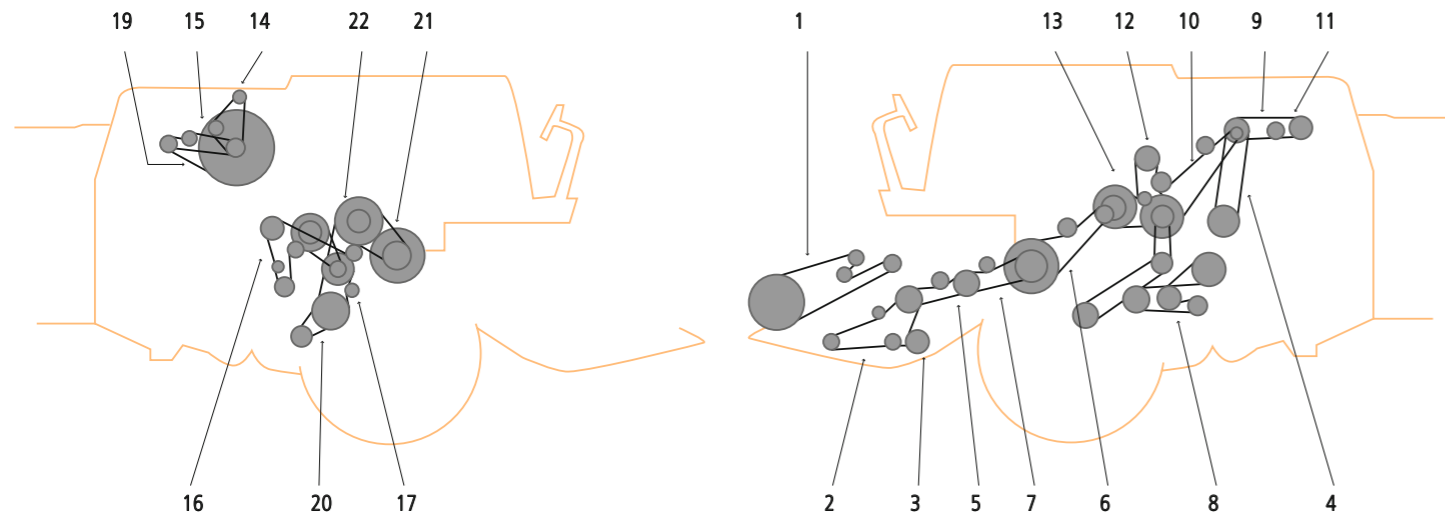
ITEM / POZYCJA	APPLICATION	OPIS	QUANTITY OF V-BELTS IN DRIVE / ILOŚĆ PASÓW W ZESPOLE	OE PART NUMBER / NUMER KATALOGOWY	COMMENT / UWAGI
1	REEL DRIVE	NAPĘD MOTOWIDŁA	1	80333255	
2	KNIFE DRIVE	NAPĘD KOSY	1	80337415	
3	REEL DRIVE	NAPĘD MOTOWIDŁA	1	80334065	
4	HYDROSTATIC DRIVE	NAPĘD HYDROSTATYCZNY	1	80411543	
5	HEADER DRIVE	NAPĘD HEDERA	2	80387931	
6	STRAW ELEVATOR DRIVE	NAPĘD PRZENOŚNIKA POCHYLEGO	1	80393326	
7	HEADER DRIVE	NAPĘD HEDERA	2	80391143	
8	STRAW WALKER DRIVE	NAPĘD WYTRZĄSACZY	1	80605529	
9	HYDRAULIC PUMP DRIVE	NAPĘD POMPY HYDRAULICZNEJ	1	80230151	
10	MAIN SHAFT DRIVE	NAPĘD MŁOCARNI	1	80391650	
11	INTERMEDIATE DRIVE SHAFT	NAPĘD POŚREDNI	1	80389245	
12	UNLOADER AUGER DRIVE	NAPĘD ŚLIMAKA WYSYPU ZBIORNIKA	1	80410896	
13	MAIN SHAFT DRIVE	NAPĘD MŁOCARNI	1	80387454	
13	MAIN SHAFT DRIVE	NAPĘD MŁOCARNI	1	80451481	
14	ALTERNATOR DRIVE	NAPĘD ALTERNATORA	1	80393519	
14	ALTERNATOR DRIVE	NAPĘD ALTERNATORA	1	80432642	
15	COOLER	NAPĘD ROTORA KOSZA CHŁODNICY	1	80384397	
16	DUST SCREEN DRIVE	NAPĘD KOSZA CHŁODNICY	1	80381489	
17	CLEANING FAN DRIVE	NAPĘD WIALNI CZYSZCZĄCEJ	2	80378989	
18	TAILINGS ELEVATOR DRIVE	NAPĘD PRZENOŚNIKA KŁOSOWEGO	1	80387469	
20	CLEANING FAN DRIVE	NAPĘD WIALNI CZYSZCZĄCEJ	1	80388280	
21	DRUM DRIVE	NAPĘD BĘBNA MŁÓCĄCEGO	1	80387460	
22	COUNTERSHAFT DRIVE	NAPĘD POŚREDNI	2	80396750	
22	COUNTERSHAFT DRIVE	NAPĘD POŚREDNI	2	80437033	
23	DRIVE	NAPĘD POŚREDNI	1	80395955	

X - not in standard offer / brak w standardowej ofercie

ITEM / POZYCJA	APPLICATION	OPIS	QUANTITY OF V-BELTS IN DRIVE / ILOŚĆ PASÓW W ZESPOLE	OE PART NUMBER / NUMER KATALOGOWY	COMMENT / UWAGI
1	MAIN DRIVE	NAPĘD GŁÓWNY	2	84017742	
2	DRIVE	NAPĘD	4	84026761	
3	FAN	NAPĘD WENTYLATORA	1	84012975	
4	ALTERNATOR DRIVE	NAPĘD ALTERNATORA	1	84022807	X
5	COMPRESSOR DRIVE	NAPĘD KOMPRESORA	1	80747177	
5	COMPRESSOR DRIVE	NAPĘD KOMPRESORA	1	89835815	X

X - not in standard offer / brak w standardowej ofercie



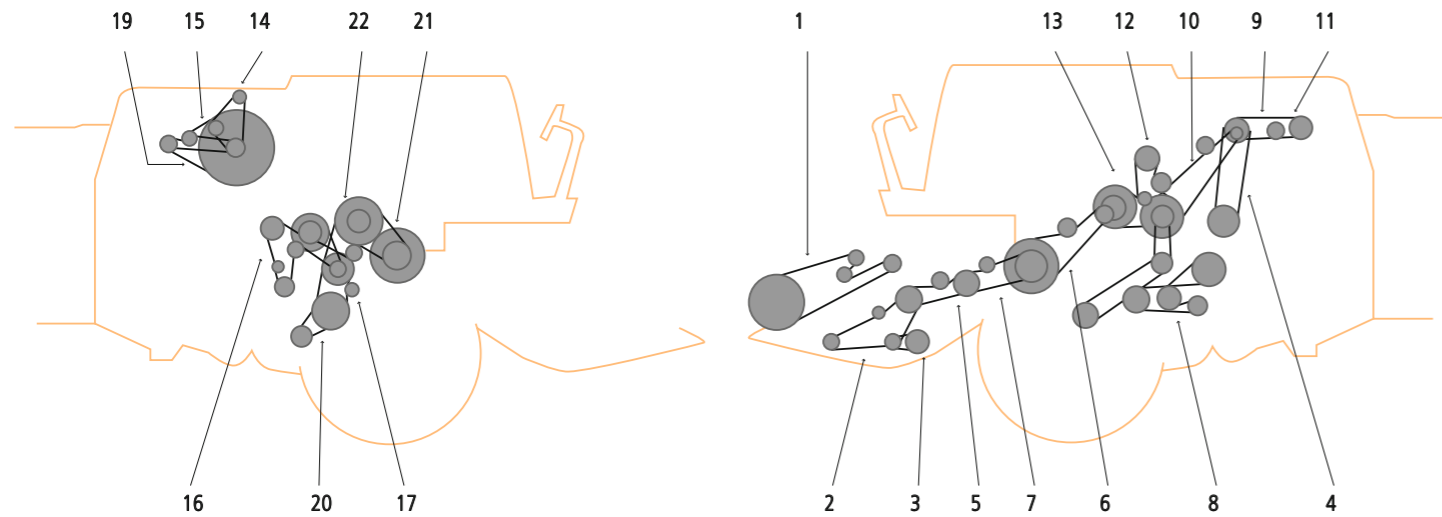


ITEM / POZYCJA	APPLICATION	OPIS	QUANTITY OF V-BELTS IN DRIVE / ILOŚĆ PASÓW W ZESPOLE	OE PART NUMBER / NUMER KATALOGOWY	COMMENT / UWAGI
1	MAIN DRIVE	NAPĘD GŁÓWNY	2	84017742	
2	DRIVE	NAPĘD	4	84026761	
3	FAN	NAPĘD WENTYLATORA	1	84012975	
4	ALTERNATOR DRIVE	NAPĘD ALTERNATORA	1	84022807	X
5	COMPRESSOR DRIVE	NAPĘD KOMPRESORA	1	80747177	
5	COMPRESSOR DRIVE	NAPĘD KOMPRESORA	1	89835815	X

X - not in standard offer / brak w standardowej ofercie

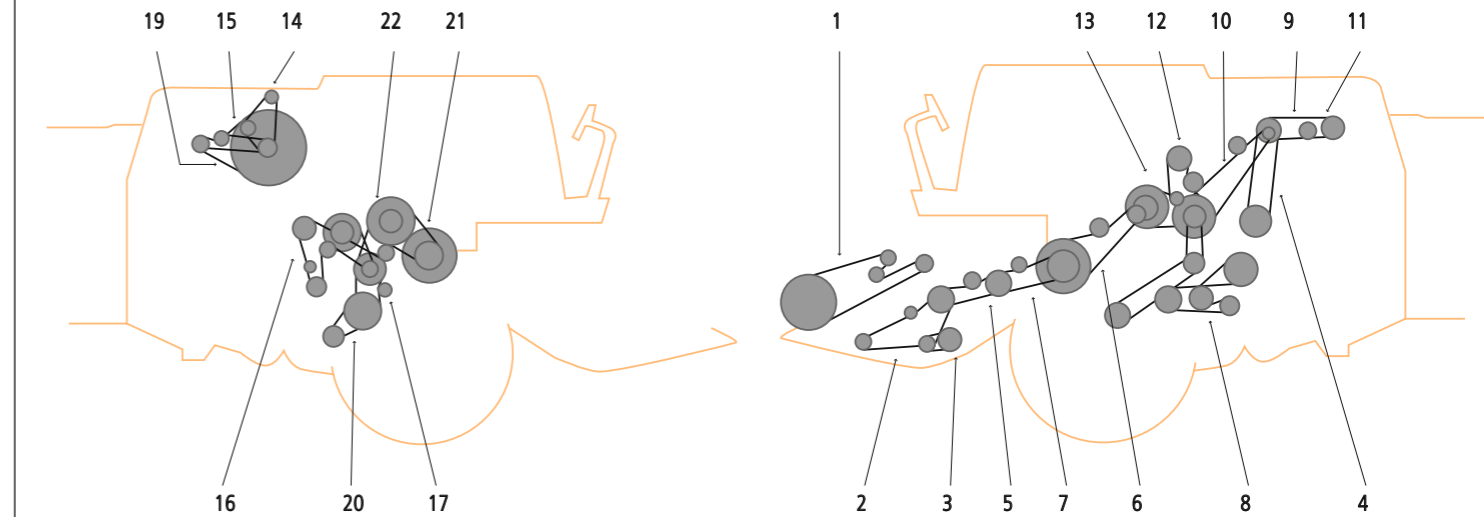
ITEM / POZYCJA	APPLICATION	OPIS	QUANTITY OF V-BELTS IN DRIVE / ILOŚĆ PASÓW W ZESPOLE	OE PART NUMBER / NUMER KATALOGOWY	COMMENT / UWAGI
1	THRESHING DRUM DRIVE	NAPĘD BĘBNA MŁÓCĄCEGO	1	80230078	
3	BEATER DRIVE	NAPĘD MŁOCARNI	1	80230080	
4	STRAW WALKER DRIVE	NAPĘD WYTRZĄSACZY	1	80230064	
5	TAILINGS ELEVATOR DRIVE	NAPĘD PRZENOŚNIKA KŁOSOWEGO	1	80230054	
6	STRAW ELEVATOR DRIVE	NAPĘD PRZENOŚNIKA POCHYLEGO	1	80230073	
7	SICKLE KNIFE DRIVE	NAPĘD NOŻY KOSY	1	80230074	
8	REEL INTERMEDIATE SHAFT - LOWER	NAPĘD POŚREDNI DOLNEGO WAŁU MOTOWIDŁA	1	80230057	
9	REEL INTERMEDIATE SHAFT - UPPER	NAPĘD POŚREDNI GÓRNEGO WAŁU MOTOWIDŁA	1	80230052	
10	REEL DRIVE	NAPĘD MOTOWIDŁA	1	80230060	
11	HYDRAULIC PUMP DRIVE	NAPĘD POMPY HYDRAULICZNEJ	1	80230043	
12	ENGINE FAN DRIVE	NAPĘD WENTYLATORA	1	80230037	
12	ENGINE FAN DRIVE	NAPĘD WENTYLATORA	1	80230051	
12	ENGINE COOLING BLOWER DRIVE - DEUTZ	NAPĘD WENTYLATORA	1	80230127	
13	ALTERNATOR DRIVE	NAPĘD ALTERNATORA	1	80230038	
14	TAILINGS ELEVATOR RETURN	PRZENOŚNIK POWROTNY NIE DOMŁÓCONYCH KŁOSÓW	1	80230042	X
15	STRAW SPREADER DRIVE	NAPĘD ROZTRZĄSACZA SŁOMY	1	80230049	
15	STRAW SPREADER DRIVE / TYPE 9501 M	NAPĘD ROZTRZĄSACZA SŁOMY	1	80230050	
16	STRAW PRESS DRIVE	NAPĘD PRASY	1	80230069	
16	STRAW PRESS DRIVE	NAPĘD PRASY	1	80230070	
16	STRAW PRESS DRIVE	NAPĘD PRASY	1	80230071	X
17	DISCHARGE AUGER	NAPĘD WYSYPU ZBIORNIKA	1	80230053	
18	POWER STEERING	STEROWANIE MOCĄ	1	80230043	
18	POWER STEERING	STEROWANIE MOCĄ	1	80230151	
19	STRAW CHOPPER DRIVE	NAPĘD ROZDRABNIACZA SŁOMY	1	80230068	
20	CHAFF BLOWER DRIVE	NAPĘD DMUCHAWY	1	80230066	
21	MAIZE THRESHING DRUM DRIVE	NAPĘD BĘBNA MŁÓCĄCEGO	1	80230056	
22	MAIZE REEL DRIVE	NAPĘD MOTOWIDŁA	1	80230065	
23	MAIZE REEL DRIVE	NAPĘD MOTOWIDŁA	1	80230063	
24	CHAFF BLOWER DRIVE	NAPĘD DMUCHAWY	1	80230048	
24	CHAFF BLOWER DRIVE	NAPĘD DMUCHAWY	1	80230154	
25	GRAIN TANK AUGER DRIVE	NAPĘD PRZENOŚNIKA ŚLIMAKOWEGO	1	80230041	
26	GRAIN TANK AUGER DRIVE	NAPĘD PRZENOŚNIKA ŚLIMAKOWEGO	1	80230045	X
27	DIVIDING ROLLER	NAPĘD ROLKI ROZDZIELAJĄCEJ	1	80230062	
28	FAN WHEEL DRIVE	NAPĘD WENTYLATORA	1	80230040	

X - not in standard offer / brak w standardowej ofercie



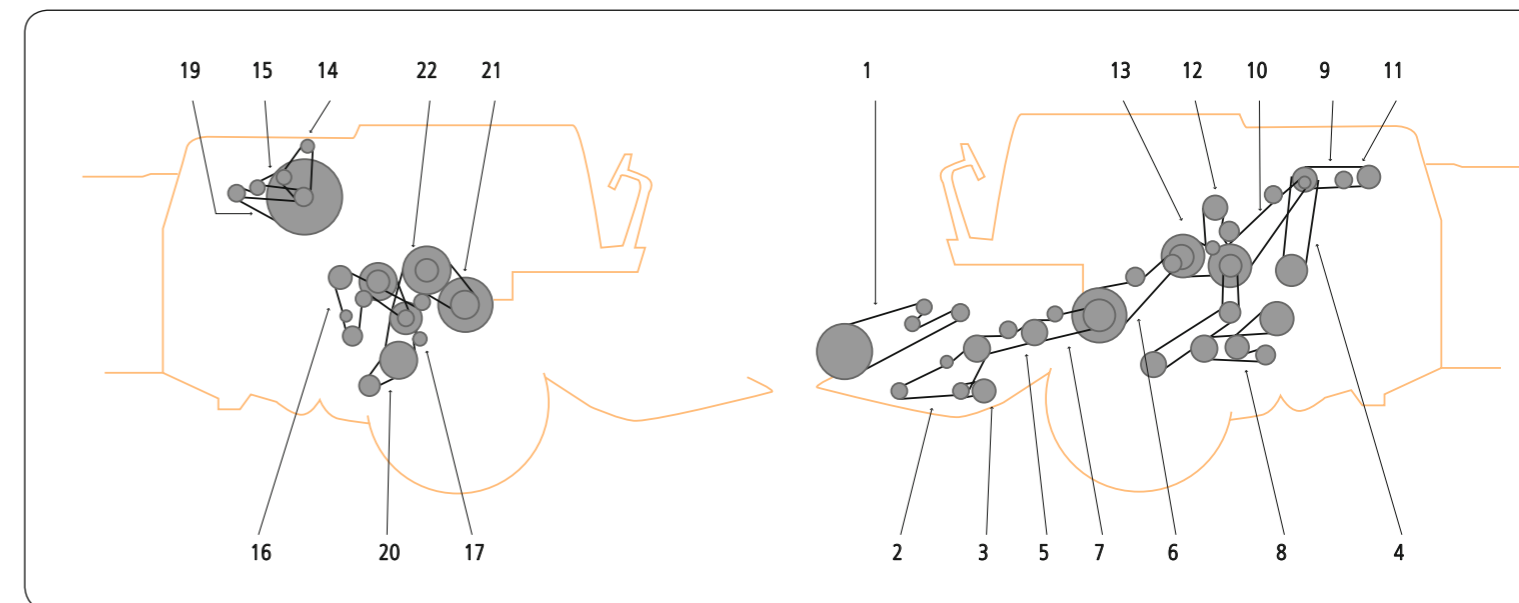
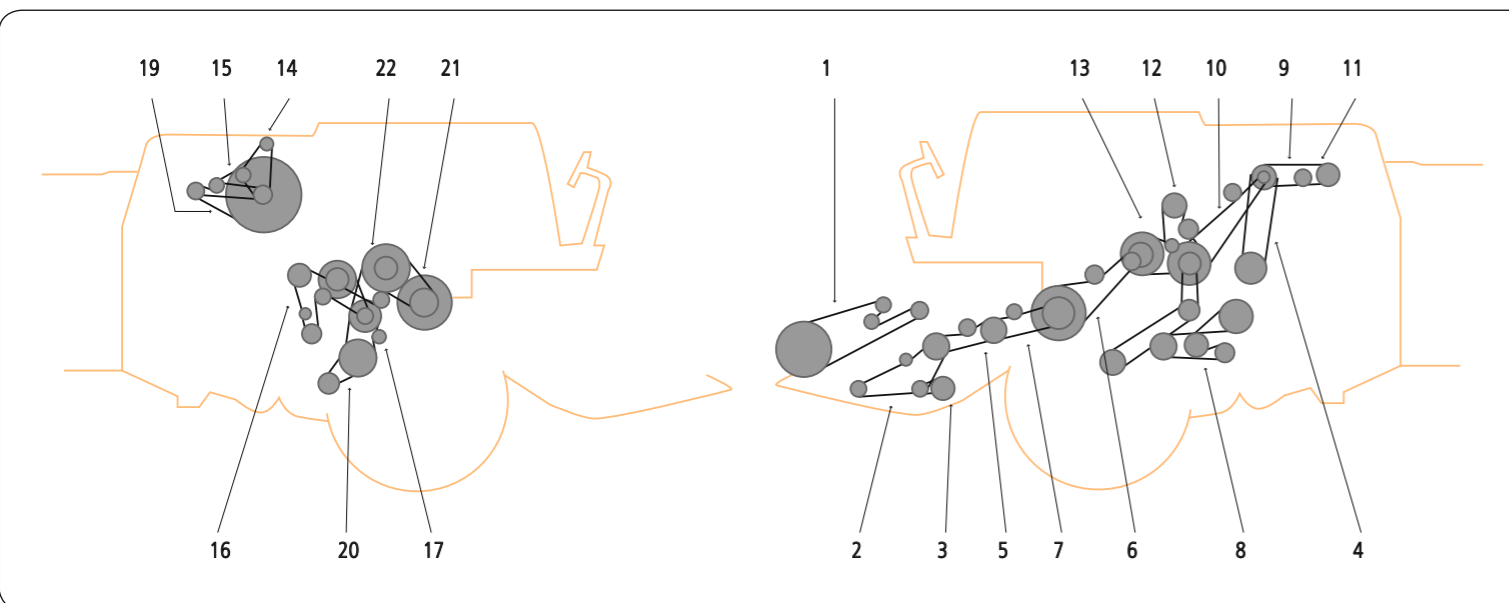
ITEM / POZYCJA	APPLICATION	OPIS	QUANTITY OF V-BELTS IN DRIVE / ILOŚĆ PASÓW W ZESPOLE	OE PART NUMBER / NUMER KATALOGOWY	COMMENT / UWAGI
1	HYDRAULIC PUMP DRIVE	NAPĘD POMPY HYDRAULICZNEJ	1	80230043	
2	TAILINGS ELEVATOR DRIVE	NAPĘD PRZENOŚNIKA KŁOSOWEGO	1	80230046	
3	DISCHARGE AUGER	NAPĘD WYSYPU ZBIORNIKA	1	80230048	
4	REEL INTERMEDIATE DRIVE	NAPĘD POŚREDNI MOTOWIDŁA	1	80230051	
5	STRAW ELEVATOR DRIVE	NAPĘD PRZENOŚNIKA POCHYLEGO	1	80230059	
6	REEL DRIVE	NAPĘD MOTOWIDŁA	1	80230060	
7	SICKLE KNIFE DRIVE	NAPĘD NOŻY KOSY	1	80230060	
8	GRAIN TANK DRIVE	NAPĘD ZBIORNIKA ZBOŻOWEGO	1	80230061	
9	STRAW BEATER	BĘBEN MŁÓCĄCY	1	80230267	
10	GROUND SPEED DRIVE	NAPĘD JAZDY	1	80230074	
11	FAN DRIVE	NAPĘD WENTYLATORA	1	80230074	
12	GROUND SPEED DRIVE	NAPĘD JAZDY	1	80230075	X
13	BEATER DRIVE	NAPĘD MŁOCARNI	1	80230079	
14	FORD ENGINE		1	80230037	
14	DEUTZ ENGINE		1	80230127	
14	FORD ENGINE		1	80230131	
15	DEUTZ ENGINE		1	80230038	
16	GRAIN TANK AUGER DRIVE	NAPĘD PRZENOŚNIKA ŚLIMAKOWEGO	1	80230042	X
17	FAN	NAPĘD WENTYLATORA	1	80230044	
18	ELEVATOR DRIVE	NAPĘD PRZENOŚNIKA	1	80230046	
19	UNLOADING SYSTEM	SYSTEM ROZŁADUNKU	1	80230053	
20	CYLINDER DRIVE	NAPĘD BĘBNA MŁÓCĄCEGO	1	80230078	

X - not in standard offer / brak w standardowej ofercie



ITEM / POZYCJA	APPLICATION	OPIS	QUANTITY OF V-BELTS IN DRIVE / ILOŚĆ PASÓW W ZESPOLE	OE PART NUMBER / NUMER KATALOGOWY	COMMENT / UWAGI
1	HYDRAULIC PUMP DRIVE	NAPĘD POMPY HYDRAULICZNEJ	1	80230043	
2	REEL INTERMEDIATE UPPER	NAPĘD POŚREDNI GÓRNEGO MOTOWIDŁA	1	80230051	
3	STRAW ELEVATOR DRIVE	NAPĘD PRZENOŚNIKA POCHYLEGO	1	80230059	
4	REEL DRIVE	NAPĘD MOTOWIDŁA	1	80230060	
5	SICKLE KNIFE DRIVE	NAPĘD NOŻY KOSY	1	80230060	
6	GRAIN TANK DRIVE	NAPĘD ZBIORNIKA ZBOŻOWEGO	1	80230061	
7	FAN DRIVE	NAPĘD WENTYLATORA	1	80230074	
8	GROUND SPEED DRIVE	NAPĘD JAZDY	1	80230075	X
9	BEATER DRIVE	NAPĘD MŁOCARNI	1	80230079	
10	TAILINGS ELEVATOR DRIVE	NAPĘD PRZENOŚNIKA KŁOSOWEGO	1	80230046	
11	ALTERNATOR DRIVE	NAPĘD ALTERNATORA	1	80230038	
12	GRAIN TANK AUGER DRIVE	NAPĘD PRZENOŚNIKA ŚLIMAKOWEGO	1	80230042	X
13	FAN DRIVE	NAPĘD WENTYLATORA	1	80230044	
14	ELEVATOR DRIVE	NAPĘD PRZENOŚNIKA	1	80230046	
15	UNLOADING SYSTEM	SYSTEM ROZŁADUNKU	1	80230053	
16	CYLINDER DRIVE	NAPĘD BĘBNA MŁÓCĄCEGO	1	80230078	
17	FAN	NAPĘD WENTYLATORA	1	80230127	
17	FAN	NAPĘD WENTYLATORA	1	80230131	

X - not in standard offer / brak w standardowej ofercie

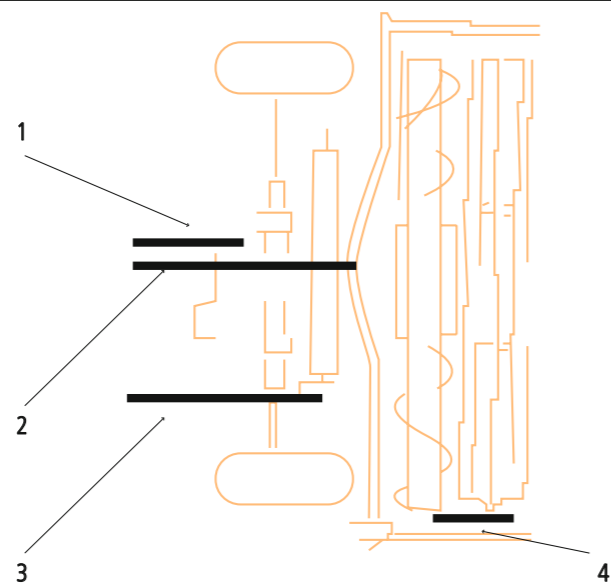


ITEM / POZYCJA	APPLICATION	OPIS	QUANTITY OF V-BELTS IN DRIVE / ILOŚĆ PASÓW W ZESPOLE	OE PART NUMBER / NUMER KATALOGOWY	COMMENT / UWAGI
1	HYDRAULIC PUMP DRIVE	NAPĘD POMPY HYDRAULICZNEJ	1	80230043	
2	TAILINGS ELEVATOR DRIVE	NAPĘD PRZENOŚNIKA KŁOSOWEGO	1	80230046	
3	STRAW ELEVATOR DRIVE	NAPĘD PRZENOŚNIKA POCHYLEGO	1	80230059	
4	GRAIN TANK DRIVE	NAPĘD ZBIORNIKA ZBOŻOWEGO	1	80230061	
5	REEL DRIVE	NAPĘD MOTOWIDŁA	1	80230061	
6	BEATER DRIVE	NAPĘD MŁOCARNI	1	80230079	
7	REEL DRIVE	NAPĘD MOTOWIDŁA	1	80230101	
8	SICKLE KNIFE DRIVE	NAPĘD NOŻY KOSY	1	80309087	
9	TRACTION DRIVE	NAPĘD JAZDY	1	80326954	X
10	TRACTION DRIVE	NAPĘD JAZDY	1	80328424	
11	ELEVATOR DRIVE	NAPĘD PRZENOŚNIKA	1	80230046	
12	CYLINDER DRIVE	NAPĘD BĘBNA MŁÓCĄCEGO	1	80230078	
13	UNLOADING SYSTEM	SYSTEM ROZŁADUNKU	1	80326298	
14	FAN DRIVE	NAPĘD WENTYLATORA	1	80330204	
15	DEUTZ ENGINE		1	80327040	
16	DEUTZ ENGINE		1	80327041	
17	FORD ENGINE		1	80327062	

X - not in standard offer / brak w standardowej ofercie

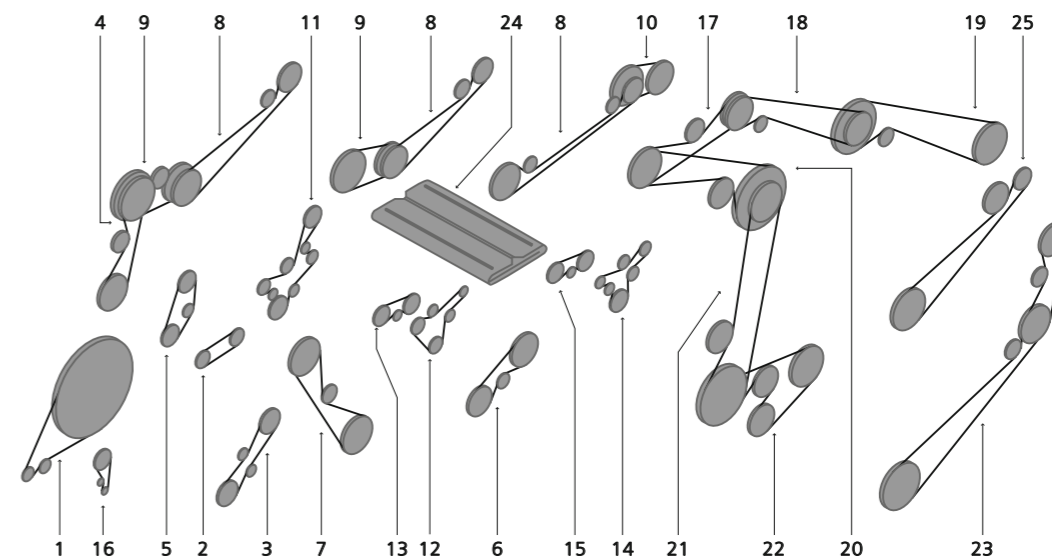
ITEM / POZYCJA	APPLICATION	OPIS	QUANTITY OF V-BELTS IN DRIVE / ILOŚĆ PASÓW W ZESPOLE	OE PART NUMBER / NUMER KATALOGOWY	COMMENT / UWAGI
1	HYDRAULIC PUMP DRIVE	NAPĘD POMPY HYDRAULICZNEJ	1	80230043	
2	REEL ECCENTRIC DRIVE	NAPĘD MIMOŚRODOWY MOTOWIDŁA	1	80230060	
3	REEL DRIVE	NAPĘD MOTOWIDŁA	1	80230061	
4	STRAW ELEVATOR DRIVE	NAPĘD PRZENOŚNIKA POCHYLEGO	1	80230073	
6	BEATER DRIVE	NAPĘD MŁOCARNI	1	80230080	
7	CUTTING TABLE	NAPĘD PRZENOŚNIKA POCHYLEGO	1	80230074	
7	SICKLE KNIFE DRIVE	NAPĘD NOŻY KOSY	1	80309087	
8	REEL DRIVE	NAPĘD MOTOWIDŁA	1	80230101	
9	STRAW FUNNEL	ODRZUTNIK	1	80309364	
10	ROTARY SCREEN DRIVE	NAPĘD KOSZA CHŁODNICY	1	80230041	
11	FAN DRIVE	NAPĘD WENTYLATORA	1	80230056	
12	TAILINGS ELEVATOR DRIVE	NAPĘD PRZENOŚNIKA KŁOSOWEGO	1	80230057	
12	GRAIN ELEVATOR DRIVE	NAPĘD PRZENOŚNIKA ZIARNOWEGO	1	80230059	
13	ELEVATOR DRIVE	NAPĘD PRZENOŚNIKA	1	80230059	
14	CYLINDER DRIVE	NAPĘD BĘBNA MŁÓCĄCEGO	1	80230078	
15	ELEVATOR DRIVE	NAPĘD PRZENOŚNIKA	1	80230062	
16	DISCHARGE AUGER	NAPĘD WYSYPY ZBIORNIKA	1	80230103	
17	STRAW WALKER DRIVE	NAPĘD WYTRZAŚCZY	1	80230108	
18	FAN	NAPĘD WENTYLATORA	1	80327024	
18	FAN	NAPĘD WENTYLATORA	1	80336386	
19	ALTERNATOR DRIVE	NAPĘD ALTERNATORA	1	80327041	
19	ALTERNATOR DRIVE	NAPĘD ALTERNATORA	1	80336426	

X - not in standard offer / brak w standardowej ofercie



ITEM / POZYCJA	APPLICATION	OPIS	QUANTITY OF V-BELTS IN DRIVE / ILOŚĆ PASÓW W ZESPOLE	OE PART NUMBER / NUMER KATALOGOWY	COMMENT / UWAGI
1	JACKSHAFT	WAŁEK NAPĘDOWY POŚREDNI	1	189130	
1	HEADER CLUTCH	NAPĘD SPRZĘGŁA HEDERA	1	189131	
2	HEADER DRIVE	NAPĘD HEDERA	1	182381	
2	HEADER DRIVE	NAPĘD HEDERA	1	643307	
3	CONDITIONING DRIVE	NAPĘD KLIMATYZACJI	1	186623	
3	CONDITIONING DRIVE	NAPĘD KLIMATYZACJI	1	625241	
4	REEL	MOTOWIDŁO	1	137695	
4	REEL	MOTOWIDŁO	1	189130	

X - not in standard offer / brak w standardowej ofercie

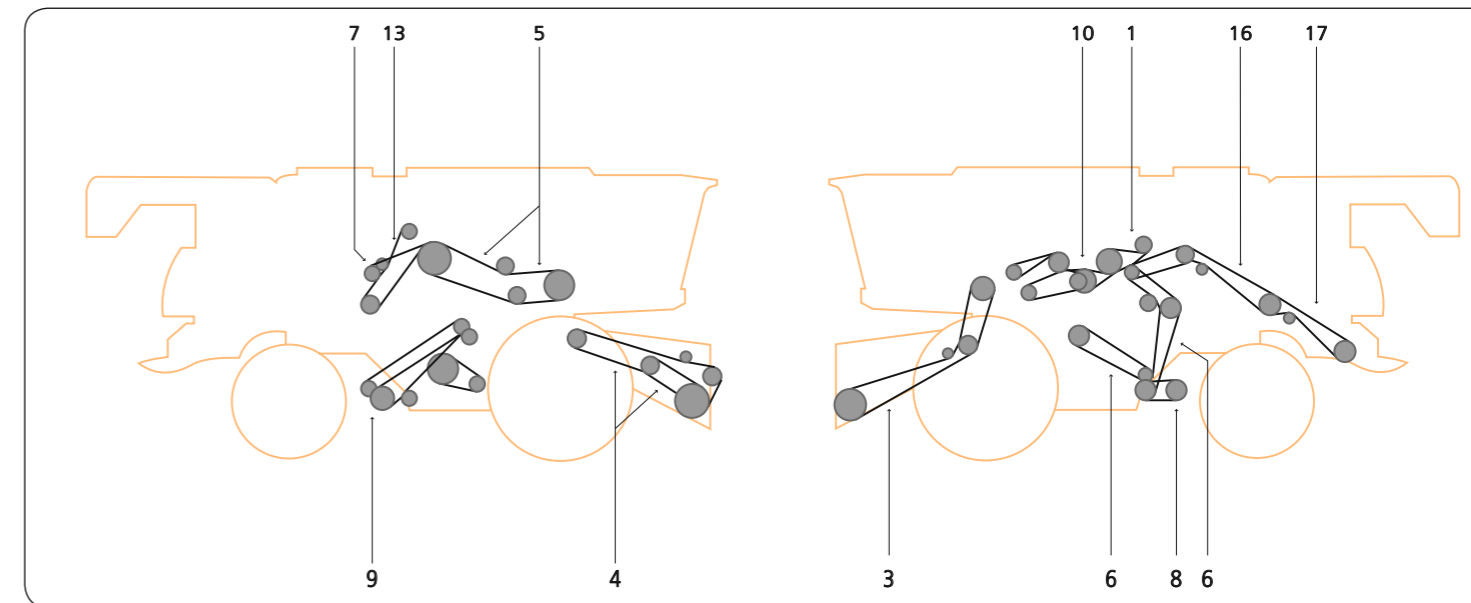


ITEM / POZYCJA	APPLICATION	OPIS	QUANTITY OF V-BELTS IN DRIVE / ILOŚĆ PASÓW W ZESPOLE	OE PART NUMBER / NUMER KATALOGOWY	COMMENT / UWAGI
1	ROTARY SCREEN FOR CR6090G4, CR7090G4 ONLY FOR CR8080G4, CR8090G4 ONLY FOR CR6090A4 AND CR7090A4 ONLY FOR CR8080A4, CR8090A3 AND CR8090A4 ONLY	NAPĘD KOSZA CHŁODNICY DO CR6090G4, CR7090G4 DO CR8080G4, CR8090G4 DO CR6090A4 I CR7090A4 DO CR8080A4, CR8090A3 I CR8090A4	1	87664428	
1	ROTARY SCREEN FOR CR9090G4 ONLY FOR CR9080A3 AND CR9090A4 ONLY	NAPĘD KOSZA CHŁODNICY DO CR9090G4 DO CR9080A3 I CR9090A4	1	87758085	
2	ROTARY SCREEN DRIVE FOR CR9080A3 AND CR9090A4 ONLY FOR CR9090G4 ONLY	NAPĘD KOSZA CHŁODNICY DO CR9080A3 I CR9090A4 DO CR9090G4	1	9818704	
2	"ROTARY SCREEN DRIVE FOR CR8080A4, CR8090A3 AND CR8090A4 ONLY FOR CR8080G4, CR8090G4 ONLY"	"NAPĘD KOSZA CHŁODNICY DO CR8080A4, CR8090A3 I CR8090A4 DO CR8080G4, CR8090G4"	1	747177	X
2	ROTARY SCREEN DRIVE FOR CR6090A4 AND CR7090A4 ONLY FOR CR6090G4, CR7090G4 ONLY	NAPĘD KOSZA CHŁODNICY DO CR6090A4 I CR7090A4 DO CR6090G4, CR7090G4	1	87556830	X
3	FEEDER DRIVE	NAPĘD PRZENOŚNIKA POCHYLEGO	1	84254480	X
3	FEEDER DRIVE	NAPĘD PRZENOŚNIKA POCHYLEGO	1	84582506	X
4	FOR LOW SPEED STONE TRAP DRIVE	DO WOLNYCH OBROTÓW NAPĘD ZBIERAKA KAMIENI	1	84398998	X
4	"FOR HIGH SPEED STONE TRAP DRIVE FOR CR8090A3, CR8090A4, CR9080A3 AND CR9090A4 ONLY"	"DO DUŻEJ PRĘDKOŚCI NAPĘD ZBIERAKA KAMIENI DO CR8090A3, CR8090A4, CR9080A3 I CR9090A4"	1	84398997	X
4	STONE TRAP DRIVE FOR DUAL SPEED	NAPĘD ZBIERAKA KAMIENI DO NAPĘDU DWUBIEGOWEGO	1	47434574	X
5	FAN DRIVE FOR CR8090A3 AND CR8090A4 ONLY FOR CR8080G4, CR8090G4 ONLY FOR CR8080A4 ONLY	NAPĘD WENTYLATORA DO CR8090A3 I CR8090A4 DO CR8080G4, CR8090G4 DO CR8080A4	1	87284244	X
5	FAN DRIVE FOR CR6090G4, CR7090G4 ONLY FOR CR6090A4 AND CR7090A4 ONLY	NAPĘD WENTYLATORA DO CR6090G4, CR7090G4 DO CR6090A4 I CR7090A4	1	918062	X
5	FOR CR9090G4 ONLY FOR CR9080A3 AND CR9090A4 ONLY	DO CR9090G4 DO CR9080A3 I CR9090A4	1	84336005	
6	NAPĘD DOLNY ŚLIMAKA FOR CR8080G4, CR8090G4 ONLY FOR CR9090G4 ONLY FOR CR7090G4 ONLY	NAPĘD DOLNY ŚLIMAKA DO CR8080G4, CR8090G4 DO CR9090G4 DO CR7090G4	1	84332132	
7	GRAIN ELEVATOR DRIVE	NAPĘD PRZENOŚNIKA ZIARNOWEGO	1	84137965	
8	FEEDER DRIVE FOR GRAIN ONLY	NAPĘD PRZENOŚNIKA POCHYLEGO DO ZIARNA	1	47452756	X
8	FEEDER DRIVE FOR CORN AND BEAN ONLY FOR ASP (ADVANCED STONE PROTECTION) ONLY	NAPĘD PRZENOŚNIKA POCHYLEGO DO KUKURYDZY I FASOLI DO ASP	1	47441074	X
8	VARIABLE FEEDER DRIVE FOR STONE TRAP MODULE ONLY FOR HIGH SPEED STONE TRAP DRIVE FOR DUAL SPEED FOR CORN AND BEAN ONLY	NAPĘD PRZENOŚNIKA POCHYLEGO ZBIERAK KAMIENI DO DUŻEJ PRĘDKOŚCI NAPĘD ZBIERAKA KAMIENI DO NAPĘDU DWUBIEGOWEGO DO KUKURYDZY I FASOLI	1	84589013	X
8	FOR STONE TRAP MODULE ONLY FOR DUAL SPEED	ZBIERAK KAMIENI DO NAPĘDU DWUBIEGOWEGO	1	84589012	X
8	FEEDER DRIVE FOR GRAIN ONLY	NAPĘD PRZENOŚNIKA POCHYLEGO DO ZIARNA	1	84352807	X
8	FEEDER DRIVE FOR CORN AND BEAN ONLY	NAPĘD PRZENOŚNIKA POCHYLEGO DO KUKURYDZY I FASOLI	1	84352808	
8	VARIABLE FEEDER DRIVE FOR CORN AND BEAN ONLY FOR ASP (ADVANCED STONE PROTECTION) ONLY	NAPĘD PRZENOŚNIKA POCHYLEGO DO KUKURYDZY I FASOLI	1	84298895	X
8	FOR ASP (ADVANCED STONE PROTECTION) ONLY FOR CR8090A3, CR8090A4, CR9080A3 AND CR9090A4 ONLY	DO ASP DO CR8090A3, CR8090A4, CR9080A3 I CR9090A4	1	84298895	X
9	FEEDER DRIVE VARIATOR	NAPĘD PRZENOŚNIKA POCHYLEGO	1	87583907	X
9	FOR STONE TRAP MODULE ONLY FOR ASP (ADVANCED STONE PROTECTION) ONLY	ZBIERAK KAMIENI DO ASP	1	84398996	X
9	FEEDER DRIVE VARIATOR FOR DUAL SPEED	NAPĘD PRZENOŚNIKA POCHYLEGO DO NAPĘDU DWUBIEGOWEGO	1	47487792	X
10	ROTOR VARIATOR FOR CR6090A4 AND CR7090A4 ONLY FOR CR6090G4, CR7090G4 ONLY	WARIATOR ROTORA DO CR6090A4 I CR7090A4 DO CR6090G4, CR7090G4	1	87676816	X

X - not in standard offer / brak w standardowej ofercie

ITEM / POZYCJA	APPLICATION	OPIS	QUANTITY OF V-BELTS IN DRIVE / ILOŚĆ PASÓW W ZESPOLE	OE PART NUMBER / NUMER KATALOGOWY	COMMENT / UWAGI
10	ROTOR VARIATOR	WARIATOR ROTORA	1	84491659	X
10	ROTOR VARIATOR	WARIATOR ROTORA	1	87540195	X
10			1	84491658	X
11	ENGINE, CRANKSHAFT PULLEY TO ALTERNATOR, AIRCO COMPRESSOR AND WATER PUMP	SILNIK, WAŁ KORBOWY DO ALTERNATOR, NAPĘD KOMPRESORA KLIMATYZACJI I POMPY WODNEJ	1	84292639	X
12	ENGINE, CRANKSHAFT PULLEY TO ALTERNATOR AND WATER PUMP	SILNIK, WAŁ KORBOWY NAPĘDU ALTERNATORA I POMPY WODNEJ	1	84238513	X
13	ENGINE, CRANKSHAFT PULLEY TO AIR CONDITIONER UNIT	SILNIK, WAŁ KORBOWY KLIMATYZACJI	1	84238514	X
14	ENGINE, CRANKSHAFT PULLEY TO ALTERNATOR AND WATER PUMP	SILNIK, WAŁ KORBOWY NAPĘDU ALTERNATORA I POMPY WODNEJ	1	84247607	X
15	ENGINE, CRANKSHAFT PULLEY TO AIR CONDITIONER UNIT	SILNIK, WAŁ KORBOWY KLIMATYZACJI	1	84223612	X
16	DUST SCREEN ASPIRATOR	ASPIRATOR KURZU	1	84422774	X
17	MAIN DRIVE	NAPĘD GŁÓWNY	1	87545651	
18	CHOPPER INTERMEDIATE DRIVE	NAPĘD POŚREDNI ROZDRABNIACZA SŁOMY	1	87580100	
18	BELT, TRANSMISSION FOR CR9090G4 ONLY FOR CR9090G4 ONLY FOR CR8090G4 ONLY FOR CR8090G4 ONLY FOR CR8090A3, CR8090A4, CR9080A3 AND CR9090A4 ONLY	DO CR9090G4 DO CR9090G4 DO CR8090G4 DO CR8090G4 DO CR8090A3, CR8090A4, CR9080A3 I CR9090A4	1	87557181	
18	CHOPPER INTERMEDIATE FOR CHOPPER READY DRIVE ONLY	NAPĘD ROZDRABNIACZA SŁOMY	1	87580100	
19	CHOPPER INTERMEDIATE FOR CHOPPER READY DRIVE ONLY	NAPĘD ROZDRABNIACZA SŁOMY	1	87580100	
19	FOR CR9090G4 ONLY FOR CR8090G4 ONLY FOR CR8090A3, CR8090A4, CR9080A3 AND CR9090A4 ONLY	DO CR9090G4 DO CR8090G4 DO CR8090A3, CR8090A4, CR9080A3 I CR9090A4	1	84188121	
20	BEATER DRIVE	NAPĘD ZESPOŁU MŁOCARNI	1	87546479	
21	SHAKER SHOE DRIVE ; BEATER INTERMEDIATE DRIVE	NAPĘD KOSZA SITOWEGO ; NAPĘD POŚREDNI MŁOCARNI	1	87315599	
22	RETURNS DRIVE BELT ; SHAKER SHOE DRIVE, SELF LEVELLING	PRZEKŁADNIA ZMIANY KIERUNKU OBROTÓW ; NAPĘD KOSZA SITOWEGO	1	84353448	X
23	FEEDER DRIVE	NAPĘD PRZENOŚNIKA POCHYLEGO	1	84274885	X
23	FEEDER DRIVE	NAPĘD PRZENOŚNIKA POCHYLEGO	1	87545653	
23	FOR CR8090A3, CR8090A4, CR9080A3 AND CR9090A4 ONLY	DO CR8090A3, CR8090A4, CR9080A3 I CR9090A4	1	84394081	X
23	FOR STONE TRAP MODULE ONLY	ZBIERAK KAMIENI	1	84582509	X
24	FOR CR6090A4, CR7090A4 AND CR8080A4 ONLY	DO CR6090A4, CR7090A4 I CR8080A4	1	87031495	X
24	FOR CR8090A3, CR8090A4, CR9080A3 AND CR9090A4 ONLY FOR CR8090G4 ONLY FOR CR9090G4 ONLY	DO CR8090A3, CR8090A4, CR9080A3 I CR9090A4 DO CR8090G4 DO CR9090G4	1	87031493	X
24	UNLOADING AUGER DRIVE FOR CR6090G4, CR7090G4 ONLY	NAPĘD ŚLIMAKA WYSYPU ZBIORNIKA DO CR6090G4, CR7090G4	1	87011585	
25	UNLOADING AUGER DRIVE	NAPĘD ŚLIMAKA WYSYPU ZBIORNIKA	1	87011585	
25	FOR CR8090G4 ONLY FOR CR9090G4 ONLY	DO CR8090G4 DO CR9090G4	1	47451475	X

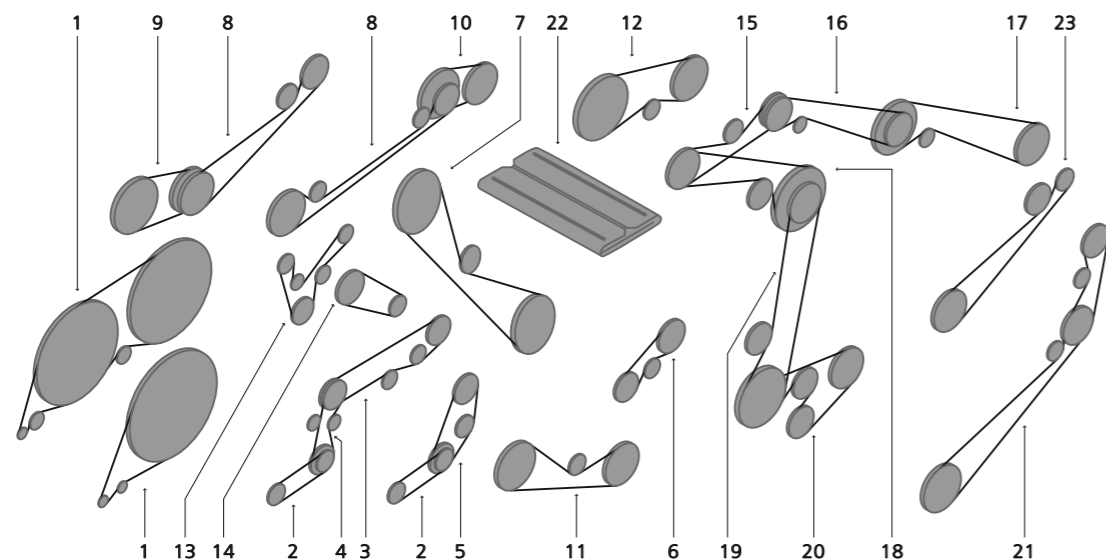
X - not in standard offer / brak w standardowej ofercie



ITEM / POZYCJA	APPLICATION	OPIS	QUANTITY OF V-BELTS IN DRIVE / ILOŚĆ PASÓW W ZESPOLE	OE PART NUMBER / NUMER KATALOGOWY	COMMENT / UWAGI
1	MAIN DRIVE	NAPĘD GŁÓWNY	1	87580097	
1	TRANSMISSIONS DRIVE DUAL HIGH SPEED ROTOR DRIVE CR9060 (OPTIONAL) & CR9070 ONLY (STANDARD)	NAPĘD DWUBIEGOWY DUŻA PRĘDKOŚĆ NAPĘD ROTORA CR9060 (OPCJONALNY) CR9070 (STANDARD)	1	87545651	
3	SECONDARY STRAW ELEVATOR DRIVE FOR STANDARD DRIVE	POMOCNICZY NAPĘD PRZENOŚNIKA POCHYLEGO DLA NAPĘDU STANDARDOWEGO	1	84072421	
3	SECONDARY FEEDER DRIVE LH FOR SPEED-UP DRIVE CR9060 (OPTIONAL) & CR9070 ONLY (STANDARD) FROM PIN HAJ111001	POMOCNICZY NAPĘD PRZENOŚNIKA POCHYLEGO DO CR9060 (OPCJONALNY) CR9070 (STANDARD) OD PIN HAJ111001	1	87545653	
5	PRIMARY FEEDER DRIVE WITH VARIATOR	GŁÓWNY NAPĘD PRZENOŚNIKA POCHYLEGO Z WARIATOREM	1	86729163	X
5	PRIMARY FEEDER DRIVE FOR SPEED-UP DRIVE WITH VARIATOR	GŁÓWNY NAPĘD PRZENOŚNIKA POCHYLEGO Z WARIATOREM	1	87583899	X
5	PRIMARY FEEDER DRIVE WITHOUT VARIATOR	GŁÓWNY NAPĘD PRZENOŚNIKA POCHYLEGO BEZ WARIATORA	1	86589482	
5	VARIABLE SPEED FEEDER DRIVE WITH VARIATOR FOR STANDARD DRIVE	NAPĘD PRZENOŚNIKA POCHYLEGO Z WARIATOREM DO NAPĘDU STANDARDOWEGO	1	86596143	X
5	VARIABLE SPEED FEEDER DRIVE FOR SPEED-UP DRIVE WITH VARIATOR	NAPĘD PRZENOŚNIKA POCHYLEGO Z WARIATOREM (DO SPEED-UP)	1	87583907	X
6	BEATER DRIVE	NAPĘD ZESPOŁU MŁOCARNI	1	87580099	
6	BEATER DRIVE CR9060 (OPTIONAL) & CR9070 ONLY (STANDARD) FROM PIN HAJ111001 PART OF DUAL SPEED HI POWER DRIVE	NAPĘD ZESPOŁU MŁOCARNI CR9060 (OPCJONALNY) CR9070 (STANDARDOWY) OD PIN HAJ111001 (NAPĘD DWUBIEGOWY HI POWER)	1	87546479	
6	SHAKER SHOE DRIVE	NAPĘD KOSZA SITOWEGO	1	87315599	
7	CR9040 & CR9060 ONLY	CR9040 & CR9060	1	87053804	X
7	CR9070 ONLY	CR9070	1	87053803	X
8	RETURNS DRIVE	PRZEKŁADNIA ZMIANY KIERUNKU OBROTÓW	1	87325684	X
9	RETURNS ELEVATOR DRIVE	NAPĘD PRZENOŚNIKA POWROTNEGO	1	84058339	
10	UNLOADING AUGER DRIVE	NAPĘD ŚLIMAKA WYSYPU ZBIORNIKA	1	87011585	
13	GRAIN ELEVATOR DRIVE	NAPĘD PRZENOŚNIKA ZIARNOWEGO	1	87319821	
13	GRAIN ELEVATOR DRIVE	NAPĘD PRZENOŚNIKA ZIARNOWEGO	1	87319821	
16	CHOPPER DRIVE W/CHOPPER SPREADER	NAPĘD SIECZKARNI / ROZTRZĄSACZ SIECZKARNI	1	87031779	
17	CHOPPER DRIVE	NAPĘD SIECZKARNI	1	87580100	
18	SHAKER SHOE DRIVE ; CR 9065 ONLY	NAPĘD KOSZA SITOWEGO ; CR 9065	1	87315599	

X - not in standard offer / brak w standardowej ofercie



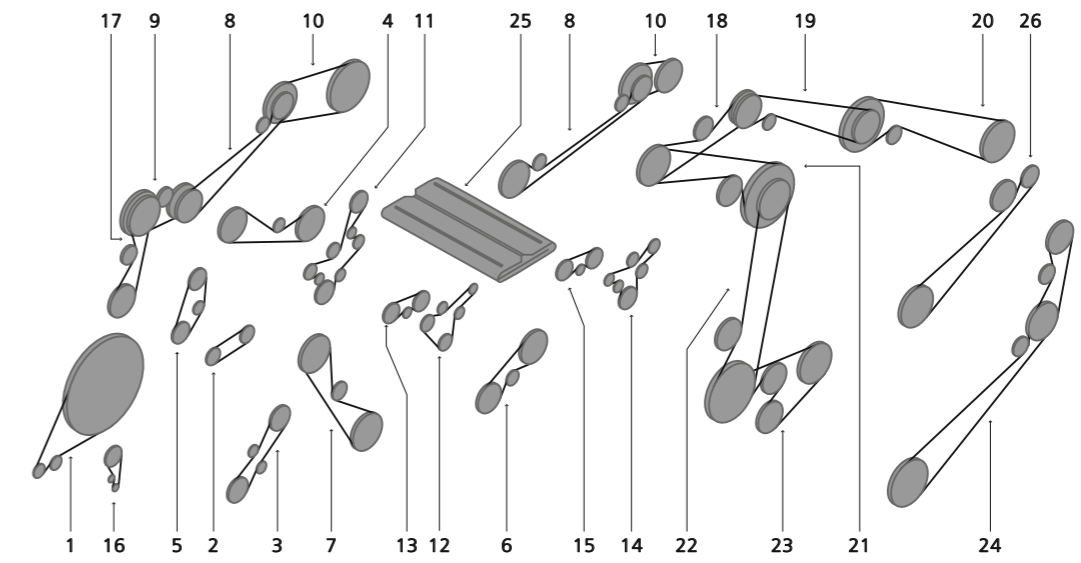
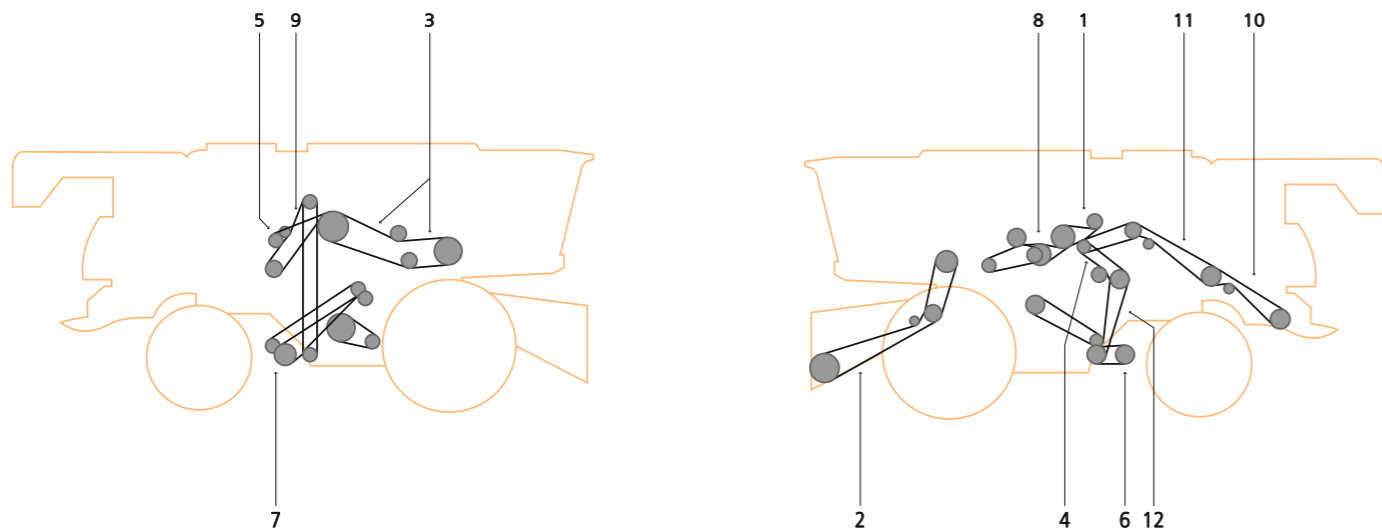


ITEM / POZYCJA	APPLICATION	OPIS	QUANTITY OF V-BELTS IN DRIVE / ILOŚĆ PASÓW W ZESPOLE	OE PART NUMBER / NUMER KATALOGOWY	COMMENT / UWAGI
1	ROTARY SCREEN, SERIAL RANGE: -C599 FOR CR9070 ONLY	NAPĘD KOSZA CHŁODNICY, SERIAL: -C599 DO CR9070	1	84057085	
1	ROTARY SCREEN, START SERIAL: D600 FOR CR9070 ONLY	NAPĘD KOSZA CHŁODNICY, START SERIAL: D600 DO CR9070	1	87664428	
1	ROTARY SCREEN	NAPĘD KOSZA CHŁODNICY	1	9513136	
1	ROTARY SCREEN FOR CR9090 ONLY	NAPĘD KOSZA CHŁODNICY DO CR9090	1	87653464	X
2	ROTARY SCREEN DRIVE FOR CR9070 ONLY	NAPĘD KOSZA CHŁODNICY DO CR9070	1	747177	X
2	ROTARY SCREEN FOR CR9090 ONLY	NAPĘD KOSZA CHŁODNICY DO CR9090	1	9818704	
3	2ND FAN DRIVE FOR CR9090 ONLY	DRUGI NAPĘD WENTYLATORA DO CR9090	1	87662910	X
4	FAN FOR CR9090 ONLY	WENTYLATOR DO CR9090	1	87663279	X
5	FAN DRIVE FOR CR9070 AND CR9080 ONLY	NAPĘD WENTYLATORA DO CR9070 I CR9080	1	87284244	X
6	NAPĘD DOLNY ŚLIMAKA	NAPĘD DOLNY ŚLIMAKA	1	84058339	
6	NAPĘD DOLNY ŚLIMAKA	NAPĘD DOLNY ŚLIMAKA	1	84455757	
6	NAPĘD DOLNY ŚLIMAKA	NAPĘD DOLNY ŚLIMAKA	1	84196804	
7	GRAIN ELEVATOR DRIVE FOR CR9060 AND CR9070 ONLY	NAPĘD PRZENOŚNIKA ZIARNOWEGO DO CR9060 I CR9070	1	87319821	
7	GRAIN ELEVATOR DRIVE, SERIAL RANGE: -C659	NAPĘD PRZENOŚNIKA ZIARNOWEGO, SERIAL: -C659	1	87319821	
7	GRAIN ELEVATOR DRIVE, START SERIAL: D660	NAPĘD PRZENOŚNIKA ZIARNOWEGO, START SERIAL: D660	1	84137965	
8	FEEDER DRIVE, SERIAL RANGE: -C626	NAPĘD PRZENOŚNIKA POCHYLEGO, SERIAL: -C626	1	86589482	
8	FEEDER DRIVE, START SERIAL: D627	NAPĘD PRZENOŚNIKA POCHYLEGO, START SERIAL: D627	1	87741240	X
8	VARIABLE FEEDER DRIVE, SERIAL RANGE: -C659	NAPĘD PRZENOŚNIKA POCHYLEGO, SERIAL: -C659	1	86729163	X
8	VARIABLE FEEDER DRIVE, SERIAL RANGE: -C659	NAPĘD PRZENOŚNIKA POCHYLEGO, SERIAL: -C659	1	86729163	X
8	VARIABLE FEEDER DRIVE, START SERIAL: D660	NAPĘD PRZENOŚNIKA POCHYLEGO, START SERIAL: D660	1	87583899	X
9	FEEDER DRIVE VARIATOR, SERIAL RANGE: -F627659	NAPĘD PRZENOŚNIKA POCHYLEGO, SERIAL: -F627659	1	86596143	X
9	FEEDER DRIVE VARIATOR, SERIAL RANGE: -C659	NAPĘD PRZENOŚNIKA POCHYLEGO, SERIAL: -C659	1	86596143	X
9	FEEDER DRIVE VARIATOR, START SERIAL: D660	NAPĘD PRZENOŚNIKA POCHYLEGO, START SERIAL: D660	1	87583907	X
10	ROTOR VARIATOR, SERIAL RANGE: -C626 FOR CR9060 AND CR9070 ONLY	WARIATOR ROTORA, SERIAL: -C626 DO CR9060 I CR9070	1	87622201	X
10	ROTOR VARIATOR, START SERIAL: D627	WARIATOR ROTORA, START SERIAL: D627	1	87676816	X
10	ROTOR VARIATOR, SERIAL RANGE: -C659 FOR CR9080 AND CR9090 ONLY	WARIATOR ROTORA, SERIAL: -C659 DO CR9080 I CR9090	1	87547837	X
10	ROTOR VARIATOR, START SERIAL: D660 FOR CR9080 AND CR9090 ONLY	WARIATOR ROTORA, START SERIAL: D660 DO CR9080 I CR9090	1	87540195	X
11	HYDRAULIC FAN DRIVE	NAPĘD HYDRAULICZNY WENTYLATORA	1	87636309	
12	AIR CONDITIONER UNIT, COMPRESSOR DRIVE, SERIAL RANGE: -C603	KLIMATYZACJA, NAPĘD KOMPRESORA, SERIAL: -C603	1	84818007	X
12	AIR CONDITIONER UNIT, COMPRESSOR DRIVE, START SERIAL: D604	KLIMATYZACJA, NAPĘD KOMPRESORA, START SERIAL: D604	1	84818008	X
12	AIR CONDITIONER UNIT, COMPRESSOR DRIVE	KLIMATYZACJA, NAPĘD KOMPRESORA	1	84818008	X

X - not in standard offer / brak w standardowej ofercie

ITEM / POZYCJA	APPLICATION	OPIS	QUANTITY OF V-BELTS IN DRIVE / ILOŚĆ PASÓW W ZESPOLE	OE PART NUMBER / NUMER KATALOGOWY	COMMENT / UWAGI
13	ENGINE, CRANCKSHAFT PULLEY TO ALTERNATOR FOR CR9060 ONLY FOR ENGINE MODEL F2C E9684P*E007	SILNIK, WAŁ KORBOWY DO ALTERNATORA DO CR9060 DO SILNIKA MODEL F2C E9684P*E007	1	500371653	X
13	ENGINE, CRANCKSHAFT PULLEY TO ALTERNATOR FOR CR9070 ONLY FOR ENGINE MODEL F3A E0684S*E908	SILNIK, WAŁ KORBOWY DO ALTERNATORA DO CR9070 DO SILNIKA MODEL F3A E0684S*E908	1	500380059	X
13	ENGINE, CRANCKSHAFT PULLEY TO ALTERNATOR FOR CR9080 AND CR9090 ONLY FOR ENGINE MODEL F3C E0684E*E004 FOR ENGINE MODEL F3B E0684N*E904	SILNIK, WAŁ KORBOWY DO ALTERNATORA DO CR9080 I CR9090 DO SILNIKA MODEL F3C E0684E*E004 DO SILNIKA MODEL F3B E0684N*E904	1	504049425	X
14	ENGINE, CRANCKSHAFT PULLEY TO AIRCO COMPRESSOR FOR CR9060 ONLY FOR ENGINE MODEL F2C E9684P*E007	SILNIK, WAŁ KORBOWY DO KOMPRESORA KLIMATYZACJI DO CR9060 DO SILNIKA MODEL F2C E9684P*E007	1	504145203	X
15	MAIN DRIVE	NAPĘD GŁÓWNY	1	87545651	
16	CHOPPER INTERMEDIATE DRIVE	NAPĘD POŚREDNI ROZDRABNIACZA SŁOMY	1	87557181	
17	CHOPPER DRIVE, SERIAL RANGE: -C723	NAPĘD SIECZKARNI, SERIAL: -C723	1	87526022	X
17	CHOPPER DRIVE, START SERIAL: D724	NAPĘD SIECZKARNI, START SERIAL: D724	1	84168012	X
18	BEATER DRIVE	NAPĘD ZESPOŁU MŁOCARNI	1	87546479	
19	BEATER INTERMEDIATE DRIVE	NAPĘD POŚREDNI MŁOCARNI	1	87315599	
20	SHAKER SHOE DRIVE, SELF-LEVELLING	NAPĘD KOSZA SITOWEGO	1	87325684	X
21	FEEDER DRIVE	NAPĘD PRZENOŚNIKA POCHYLEGO	1	87545653	
22			1	87031495	X
22	FOR CR9080 AND CR9090 ONLY	DO CR9080 I CR9090	1	87031493	X
23	UNLOADING AUGER DRIVE	NAPĘD ŚLIMAKA WYSYPU ZBIORNIKA	1	87011585	

X - not in standard offer / brak w standardowej ofercie



ITEM / POZYCJA	APPLICATION	OPIS	QUANTITY OF V-BELTS IN DRIVE / ILOŚĆ PASÓW W ZESPOLE	OE PART NUMBER / NUMER KATALOGOWY	COMMENT / UWAGI
1	TRANSMISSIONS DRIVE	NAPĘD	1	87545651	
2	SECONDARY FEEDER DRIVE	POMOCNICZY NAPĘD PRZENOŚNIKA POCHYLEGO	1	87545653	
3	PRIMARY FEEDER DRIVE	GLÓWNY NAPĘD PRZENOŚNIKA POCHYLEGO	1	87583899	X
3	PRIMARY FEEDER DRIVE	GLÓWNY NAPĘD PRZENOŚNIKA POCHYLEGO	1	86589482	
3	VARIABLE SPEED FEEDER DRIVE	NAPĘD PRZENOŚNIKA POCHYLEGO	1	87583907	X
4	BEATER DRIVE	NAPĘD ZESPOŁU MŁOCARNI	1	87546479	
5	ROTOR	ROTOR	1	87540195	X
6	RETURNS DRIVE	PRZEKŁADNIA ZMIANY KIERUNKU OBROTÓW	1	87325684	X
7	RETURNS ELEVATOR DRIVE	NAPĘD PRZENOŚNIKA POWROTNEGO	1	84455757	
8	UNLOADING AUGER DRIVE	NAPĘD ŚLIMAKA WYSYPU ZBIORNIKA	1	87011585	
9	GRAIN ELEVATOR DRIVE	NAPĘD PRZENOŚNIKA ZIARNOWEGO	1	87319821	
10	CHOPPER DRIVE W/CHOPPER SPREADER	NAPĘD SIECZKARNI Z ROZTRZĄSACZEM SIECZKARNI	1	87031779	
11	CHOPPER DRIVE	NAPĘD SIECZKARNI	1	87580100	
12	SHOE DRIVE	NAPĘD KOSZA SITOWEGO	1	87315599	

X - not in standard offer / brak w standardowej ofercie

ITEM / POZYCJA	APPLICATION	OPIS	QUANTITY OF V-BELTS IN DRIVE / ILOŚĆ PASÓW W ZESPOLE	OE PART NUMBER / NUMER KATALOGOWY	COMMENT / UWAGI
1	ROTARY SCREEN	NAPĘD KOSZA CHŁODNICY	1	87758085	
	FOR CR9080B3, CR9080E3, CR9080TR3, CR9080E4, CR9080TR4, CR9090E4, CR9090TR4 AND CR9090N4 ONLY	DO CR9080B3, CR9080E3, CR9080TR3, CR9080E4, CR9080TR4, CR9090E4, CR9090TR4 I CR9090N4			
1	ROTARY SCREEN	NAPĘD KOSZA CHŁODNICY	1	87664428	
	FOR CR8070E3, CR8070E4, CR8080E3, CR8080E4, CR8080TR4, CR9070E4 AND CR9070TR4 ONLY	DO CR8070E3, CR8070E4, CR8080E3, CR8080E4, CR8080TR4, CR9070E4 I CR9070TR4			
2	ROTARY SCREEN DRIVE	NAPĘD KOSZA CHŁODNICY	1	9818704	
	FOR CR9080B3, CR9080E3, CR9080TR3, CR9080E4, CR9080TR4, CR9090E4, CR9090TR4 AND CR9090N4 ONLY	DO CR9080B3, CR9080E3, CR9080TR3, CR9080E4, CR9080TR4, CR9090E4, CR9090TR4 I CR9090N4			
2	ROTARY SCREEN DRIVE	NAPĘD KOSZA CHŁODNICY	1	747177	X
	FOR CR9070E4, CR9070TR4, CR8080E3, CR8080E4 AND CR8080TR4 ONLY	DO CR9070E4, CR9070TR4, CR8080E3, CR8080E4 I CR8080TR4			
2	ROTARY SCREEN DRIVE	NAPĘD KOSZA CHŁODNICY	1	87556830	X
	FOR CR8070E3 AND CR8070E4 ONLY	DO CR8070E3 I CR8070E4			
3	FEEDER DRIVE	NAPĘD PRZENOŚNIKA POCHYLEGO	1	84254480	X
3	"FEEDER DRIVE, START SERIAL: D951"	"NAPĘD PRZENOŚNIKA POCHYLEGO, START SERIAL: D951"	1	84582506	X
	FOR STONE TRAP MODULE ONLY	ZBIERAK KAMIENI			
4	HYDRAULIC FAN DRIVE, SERIAL RANGE: -C913	NAPĘD HYDRAULICZNY WENTYLATORA, SERIAL: -C913	1	87636309	
4	HYDRAULIC FAN DRIVE, START SERIAL: D914	NAPĘD HYDRAULICZNY WENTYLATORA, START SERIAL: D914	1	87683178	X
5	FAN DRIVE	NAPĘD WENTYLATORA	1	87284244	X
	FOR CR9070E4 AND CR9070TR4 ONLY	DO CR9070E4 I CR9070TR4			
5	FAN DRIVE	NAPĘD WENTYLATORA	1	918062	X
	FOR CR8070E3 ONLY	DO CR8070E3			
5	FAN DRIVE	NAPĘD WENTYLATORA	1	445930	
	FOR CR8070E4 ONLY	DO CR8070E4			
5	FAN DRIVE	NAPĘD WENTYLATORA	1	87284244	X
	FOR CR8080E3, CR8080E4 AND CR8080TR4 ONLY	DO CR8080E3, CR8080E4 I CR8080TR4			
5	FAN DRIVE	NAPĘD WENTYLATORA	1	84336005	
	FOR CR9080B3, CR9080E3, CR9080TR3, CR9080E4, CR9080TR4, CR9090E4, CR9090TR4 AND CR9090N4 ONLY	DO CR9080B3, CR9080E3, CR9080TR3, CR9080E4, CR9080TR4, CR9090E4, CR9090TR4 I CR9090N4			
6	NAPĘD DOLNY ŚLIMAKA	NAPĘD DOLNY ŚLIMAKA	1	84332132	
7	GRAIN ELEVATOR DRIVE	NAPĘD PRZENOŚNIKA ZIARNOWEGO	1	84137965	
8	"FEEDER DRIVE, SERIAL RANGE: -C939"	NAPĘD PRZENOŚNIKA POCHYLEGO, SERIAL: -C939	1	84352807	X
8	"FEEDER DRIVE, START SERIAL: D940"	"NAPĘD PRZENOŚNIKA POCHYLEGO, START SERIAL: D940"	1	47452756	X
8	"FEEDER DRIVE, SERIAL RANGE: -C939"	NAPĘD PRZENOŚNIKA POCHYLEGO, SERIAL: -C939	1	84352808	
8	"FEEDER DRIVE, START SERIAL: D940"	"NAPĘD PRZENOŚNIKA POCHYLEGO, START SERIAL: D940"	1	47441074	X

X - not in standard offer / brak w standardowej ofercie

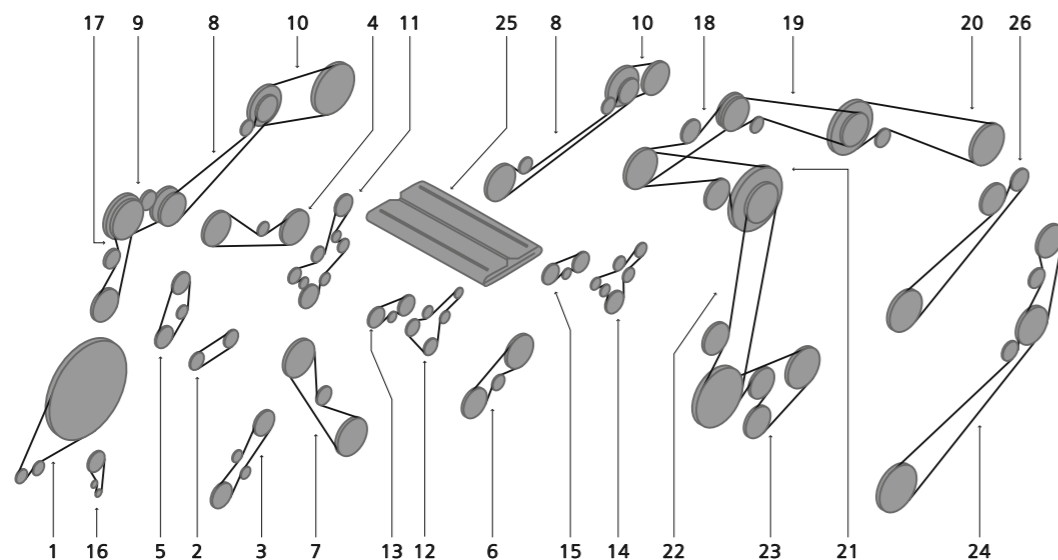
ITEM / POZYCJA	APPLICATION	OPIS	QUANTITY OF V-BELTS IN DRIVE / ILOŚĆ PASÓW W ZESPOLE	OE PART NUMBER / NUMER KATALOGOWY	COMMENT / UWAGI
8	VARIABLE FEEDER DRIVE, START SERIAL: D940 FOR STONE TRAP MODULE ONLY FOR HIGH SPEED ONLY	NAPĘD PRZENOŚNIKA POCHYLEGO, START SERIAL: D940 ZBIERAK KAMIENI DO DUŻEJ PRĘDKOŚCI	1	84589013	X
8	VARIABLE FEEDER DRIVE, SERIAL RANGE: -C865	NAPĘD PRZENOŚNIKA POCHYLEGO, SERIAL: -C865	1	84298895	X
8	VARIABLE FEEDER DRIVE, START SERIAL: D866	NAPĘD PRZENOŚNIKA POCHYLEGO, START SERIAL: D866	1	84589013	X
8	"FEEDER DRIVE, START SERIAL: D940" FOR STONE TRAP MODULE ONLY FOR DUAL SPEED ONLY	"NAPĘD PRZENOŚNIKA POCHYLEGO, START SERIAL: D940" ZBIERAK KAMIENI DO NAPĘDU DWUBIEGOWEGO	1	84589012	X
9	FEEDER DRIVE VARIATOR	NAPĘD PRZENOŚNIKA POCHYLEGO	1	87583907	X
9	FEEDER DRIVE VARIATOR, START SERIAL: D940 FOR STONE TRAP MODULE ONLY FOR DUAL SPEED ONLY	NAPĘD PRZENOŚNIKA POCHYLEGO, START SERIAL: D940 ZBIERAK KAMIENI DO NAPĘDU DWUBIEGOWEGO	1	47487792	X
9	FEEDER DRIVE VARIATOR, START SERIAL: D940 FOR STONE TRAP MODULE ONLY FOR HIGH SPEED ONLY	NAPĘD PRZENOŚNIKA POCHYLEGO, START SERIAL: D940 ZBIERAK KAMIENI DO DUŻEJ PRĘDKOŚCI	1	84398996	X
10	"ROTOR VARIATOR, SERIAL RANGE: -C879" FOR CR8070E3, CR8070E4, CR8080E3, CR8080E4 AND CR8080TR4 ONLY	"WARIATOR ROTORA, SERIAL: -C879" DO CR8070E3, CR8070E4, CR8080E3, CR8080E4 I CR8080TR4	1	87676816	X
10	SERIAL RANGE: -F880911 FOR CR8070E3, CR8070E4, CR8080E3, CR8080E4 AND CR8080TR4 ONLY	SERIAL: -F880911 DO CR8070E3, CR8070E4, CR8080E3, CR8080E4 I CR8080TR4	1	84491659	X
10	START SERIAL: D912 FOR CR8070E3, CR8070E4, CR8080E3, CR8080E4 AND CR8080TR4 ONLY	START SERIAL: D912 DO CR8070E3, CR8070E4, CR8080E3, CR8080E4 I CR8080TR4	1	87676816	X
10	"ROTOR VARIATOR, SERIAL RANGE: -C879" "FOR CR9070E4, CR9070TR4, CR9080B3, CR9080E3, CR9080TR3, CR9080E4, CR9080TR4, CR9090E4 AND CR9090TR4 ONLY"	"WARIATOR ROTORA, SERIAL: -C879" "DO CR9070E4, CR9070TR4, CR9080B3, CR9080E3, CR9080TR3, CR9080E4, CR9080TR4, CR9090E4 I CR9090TR4"	1	87540195	X
10	SERIAL RANGE: -F880911 "FOR CR9070E4, CR9070TR4, CR9080B3, CR9080E3, CR9080TR3, CR9080E4, CR9080TR4, CR9090E4, CR9090TR4 AND CR9090N4 ONLY"	SERIAL: -F880911 "DO CR9070E4, CR9070TR4, CR9080B3, CR9080E3, CR9080TR3, CR9080E4, CR9080TR4, CR9090E4, CR9090TR4 I CR9090N4"	1	84491658	X
10	START SERIAL: D912 "FOR CR9070E4, CR9070TR4, CR9080B3, CR9080E3, CR9080TR3, CR9080E4, CR9080TR4, CR9090E4, CR9090TR4 AND CR9090N4 ONLY"	START SERIAL: D912 "DO CR9070E4, CR9070TR4, CR9080B3, CR9080E3, CR9080TR3, CR9080E4, CR9080TR4, CR9090E4, CR9090TR4 I CR9090N4"	1	87540195	X
11	ENGINE, CRANKSHAFT PULLEY TO ALTERNATOR, AIRCO COMPRESSOR AND WATER PUMP FOR CR8070E3 AND CR8070E4 ONLY "FOR ENGINE MODEL F2C E9684P*E024 ONLY" "FOR ENGINE MODEL F2C FE613A*A015 ONLY"	SILNIK, WAŁ KORBOWY DO ALTERNATORA, NAPĘD KOMPRESORA KLIMATYZACJI I POMPY WODNEJ DO CR8070E3 I CR8070E4 "DO SILNIKA MODEL F2C E9684P*E024" "DO SILNIKA MODEL F2C FE613A*A015"	1	84292639	X
12	ENGINE, CRANKSHAFT PULLEY TO ALTERNATOR AND WATER PUMP FOR CR9070E4, CR9070TR4, CR8080E3, CR8080E4 AND CR8080TR4 ONLY "FOR ENGINE MODEL F3A E0684S*E914 ONLY" "FOR ENGINE MODEL F3A FE613A*A001 ONLY"	SILNIK, WAŁ KORBOWY NAPĘDU ALTERNATORA I POMPY WODNEJ DO CR9070E4, CR9070TR4, CR8080E3, CR8080E4 I CR8080TR4 "DO SILNIKA MODEL F3A E0684S*E914" "DO SILNIKA MODEL F3A FE613A*A001"	1	84238513	X
13	ENGINE, CRANKSHAFT PULLEY TO AIR CONDITIONER UNIT FOR CR9070E4, CR9070TR4, CR8080E3, CR8080E4 AND CR8080TR4 ONLY "FOR ENGINE MODEL F3A E0684S*E914 ONLY" "FOR ENGINE MODEL F3A FE613A*A001 ONLY"	SILNIK, WAŁ KORBOWY KLIMATYZACJI DO CR9070E4, CR9070TR4, CR8080E3, CR8080E4 I CR8080TR4 "DO SILNIKA MODEL F3A E0684S*E914" "DO SILNIKA MODEL F3A FE613A*A001"	1	84238514	X
14	ENGINE, CRANKSHAFT PULLEY TO ALTERNATOR AND WATER PUMP FOR CR9080B3, CR9080E3, CR9080TR3, CR9080E4, CR9080TR4, CR9090E4 AND CR9090TR4 ONLY "FOR ENGINE MODEL F3B E0684N*E918 ONLY" "FOR ENGINE MODEL F3B FE613D*A003 ONLY" "FOR ENGINE MODEL F3B FE613E*A003 ONLY"	SILNIK, WAŁ KORBOWY NAPĘDU ALTERNATORA I POMPY WODNEJ DO CR9080B3, CR9080E3, CR9080TR3, CR9080E4, CR9080TR4, CR9090E4 I CR9090TR4 "DO SILNIKA MODEL F3B E0684N*E918" "DO SILNIKA MODEL F3B FE613D*A003" "DO SILNIKA MODEL F3B FE613E*A003"	1	84247607	X
14	ENGINE, CRANKSHAFT PULLEY TO ALTERNATOR AND WATER PUMP FOR CR9090N4 ONLY "FOR ENGINE MODEL F3B FE613D*A003 ONLY"	SILNIK, WAŁ KORBOWY NAPĘDU ALTERNATORA I POMPY WODNEJ DO CR9090N4 "DO SILNIKA MODEL F3B FE613D*A003"	1	84247607	X

X - not in standard offer / brak w standardowej ofercie

ITEM / POZYCJA	APPLICATION	OPIS	QUANTITY OF V-BELTS IN DRIVE / ILOŚĆ PASÓW W ZESPOLE	OE PART NUMBER / NUMER KATALOGOWY	COMMENT / UWAGI
15	ENGINE, CRANKSHAFT PULLEY TO AIR CONDITIONER UNIT FOR CR9080B3, CR9080E3, CR9080TR3, CR9080E4, CR9080TR4, CR9090E4 AND CR9090TR4 ONLY "FOR ENGINE MODEL F3B E0684N*E918 ONLY" "FOR ENGINE MODEL F3B FE613D*A003 ONLY" "FOR ENGINE MODEL F3B FE613E*A003 ONLY"	SILNIK, WAŁ KORBOWY KLIMATYZACJI DO CR9080B3, CR9080E3, CR9080TR3, CR9080E4, CR9080TR4, CR9090E4 I CR9090TR4 "DO SILNIKA MODEL F3B E0684N*E918" "DO SILNIKA MODEL F3B FE613D*A003" "DO SILNIKA MODEL F3B FE613E*A003"	1	84223612	X
16	DUSTSCREEN ASPIRATOR, START SERIAL: D900	ASPIRATOR KURZU, START SERIAL: D900	1	84422774	X
17	START SERIAL: D940 FOR STONE TRAP MODULE ONLY FOR DUAL SPEED ONLY	START SERIAL: D940 ZBIERAK KAMIENI DO NAPĘDU DWUBIEGOWEGO	1	47434574	X
17	START SERIAL: D940 FOR STONE TRAP MODULE ONLY FOR LOW SPEED ONLY	START SERIAL: D940 ZBIERAK KAMIENI DO WOLNYCH OBROTÓW	1	84398998	X
18	MAIN DRIVE	NAPĘD GŁÓWNY	1	87545651	
19	CHOPPER INTERMEDIATE DRIVE	NAPĘD POŚREDNI ROZDRABNIACZA SŁOMY	1	87557181	
20	CHOPPER INTERMEDIATE DRIVE	NAPĘD POŚREDNI ROZDRABNIACZA SŁOMY	1	84168012	X
20	CHOPPER INTERMEDIATE DRIVE	NAPĘD POŚREDNI ROZDRABNIACZA SŁOMY	1	84188121	
21	BEATER DRIVE	NAPĘD ZESPOŁU MŁOCARNI	1	87546479	
22	BEATER INTERMEDIATE DRIVE	NAPĘD POŚREDNI MŁOCARNI	1	87315599	
23	SHAKER SHOE DRIVE, SELF LEVELLING	NAPĘD KOSZA SITOWEGO	1	84353448	X
24	FEEDER DRIVE	NAPĘD PRZENOŚNIKA POCHYLEGO	1	84274885	X
24	FEEDER DRIVE	NAPĘD PRZENOŚNIKA POCHYLEGO	1	87545653	
24	FEEDER DRIVE, START SERIAL: D951 FOR STONE TRAP MODULE ONLY	NAPĘD PRZENOŚNIKA POCHYLEGO, START SERIAL: D951 ZBIERAK KAMIENI	1	84582509	X
25	CONVEYOR ASSEMBLY, PSD FOR CR8070E3, CR8070E4, CR8080E3, CR8080E4 AND CR8080TR4 ONLY	PRZENOŚNIK, PSD DO CR8070E3, CR8070E4, CR8080E3, CR8080E4 I CR8080TR4	1	87031495	X
25	CONVEYOR ASSEMBLY, PSD FOR CR9090N4 ONLY "FOR CR9070E4, CR9070TR4, CR9080B3, CR9080E3, CR9080TR3, CR9080E4, CR9080TR4, CR9090E4, CR9090TR4 AND CR9090N4 ONLY"	PRZENOŚNIK, PSD DO CR9090N4 "DO CR9070E4, CR9070TR4, CR9080B3, CR9080E3, CR9080TR3, CR9080E4, CR9080TR4, CR9090E4, CR9090TR4 I CR9090N4"	1	87031493	X
26	UNLOADING AUGER DRIVE	NAPĘD ŚLIMAKA WYSYPY ZBIORNIKA	1	87011585	

X - not in standard offer / brak w standardowej ofercie





ITEM / POZYCJA	APPLICATION	OPIS	QUANTITY OF V-BELTS IN DRIVE / ILOŚĆ PASÓW W ZESPOLE	OE PART NUMBER / NUMER KATALOGOWY	COMMENT / UWAGI
1	ROTARY SCREEN FOR CR9080B3, CR9080E3, CR9080TR3, CR9080E4, CR9080TR4, CR9090E4, CR9090TR4 AND CR9090N4 ONLY	NAPĘD KOSZA CHŁODNICY DO CR9080B3, CR9080E3, CR9080TR3, CR9080E4, CR9080TR4, CR9090E4, CR9090TR4 I CR9090N4	1	87758085	
1	ROTARY SCREEN FOR CR8070E3, CR8070E4, CR8080E3, CR8080E4, CR8080TR4, CR9070E4 AND CR9070TR4 ONLY	NAPĘD KOSZA CHŁODNICY DO CR8070E3, CR8070E4, CR8080E3, CR8080E4, CR8080TR4, CR9070E4 I CR9070TR4	1	87664428	
2	ROTARY SCREEN DRIVE FOR CR9080B3, CR9080E3, CR9080TR3, CR9080E4, CR9080TR4, CR9090E4, CR9090TR4 AND CR9090N4 ONLY	NAPĘD KOSZA CHŁODNICY DO CR9080B3, CR9080E3, CR9080TR3, CR9080E4, CR9080TR4, CR9090E4, CR9090TR4 I CR9090N4	1	9818704	
2	ROTARY SCREEN DRIVE FOR CR9070E4, CR9070TR4, CR8080E3, CR8080E4 AND CR8080TR4 ONLY	NAPĘD KOSZA CHŁODNICY DO CR9070E4, CR9070TR4, CR8080E3, CR8080E4 I CR8080TR4	1	747177	X
2	ROTARY SCREEN DRIVE FOR CR8070E3 AND CR8070E4 ONLY	NAPĘD KOSZA CHŁODNICY DO CR8070E3 I CR8070E4	1	87556830	X
3	FEEDER DRIVE "FEEDER DRIVE, START SERIAL: D951" FOR STONE TRAP MODULE ONLY	NAPĘD PRZENOŚNIKA POCHYLEGO "NAPĘD PRZENOŚNIKA POCHYLEGO, START SERIAL: D951" ZBIERAK KAMIENI	1	84254480	X
4	HYDRAULIC FAN DRIVE, SERIAL RANGE: -C913	NAPĘD HYDRAULICZNY WENTYLATORA, SERIAL: -C913	1	87636309	
4	HYDRAULIC FAN DRIVE, START SERIAL: D914	NAPĘD HYDRAULICZNY WENTYLATORA, START SERIAL: D914	1	87683178	X
5	FAN DRIVE FOR CR9070E4 AND CR9070TR4 ONLY	NAPĘD WENTYLATORA DO CR9070E4 I CR9070TR4	1	87284244	X
5	FAN DRIVE FOR CR8070E3 ONLY	NAPĘD WENTYLATORA DO CR8070E3	1	918062	X
5	FAN DRIVE FOR CR8070E4 ONLY	NAPĘD WENTYLATORA DO CR8070E4	1	445930	
5	FAN DRIVE FOR CR8080E3, CR8080E4 AND CR8080TR4 ONLY	NAPĘD WENTYLATORA DO CR8080E3, CR8080E4 I CR8080TR4	1	87284244	X
5	FAN DRIVE FOR CR9080B3, CR9080E3, CR9080TR3, CR9080E4, CR9080TR4, CR9090E4, CR9090TR4 AND CR9090N4 ONLY	NAPĘD WENTYLATORA DO CR9080B3, CR9080E3, CR9080TR3, CR9080E4, CR9080TR4, CR9090E4, CR9090TR4 I CR9090N4	1	84336005	
6	NAPĘD DOLNY ŚLIMAKA	NAPĘD DOLNY ŚLIMAKA	1	84332132	
7	GRAIN ELEVATOR DRIVE	NAPĘD PRZENOŚNIKA ZIARNOWEGO	1	84137965	
8	"FEEDER DRIVE, SERIAL RANGE: -C939"	"NAPĘD PRZENOŚNIKA POCHYLEGO, SERIAL : -C939"	1	84352807	X
8	"FEEDER DRIVE, START SERIAL: D940"	"NAPĘD PRZENOŚNIKA POCHYLEGO, START SERIAL: D940"	1	47452756	X
8	"FEEDER DRIVE, SERIAL RANGE: -C939"	"NAPĘD PRZENOŚNIKA POCHYLEGO, SERIAL : -C939"	1	84352808	
8	"FEEDER DRIVE, START SERIAL: D940"	"NAPĘD PRZENOŚNIKA POCHYLEGO, START SERIAL: D940"	1	47441074	X

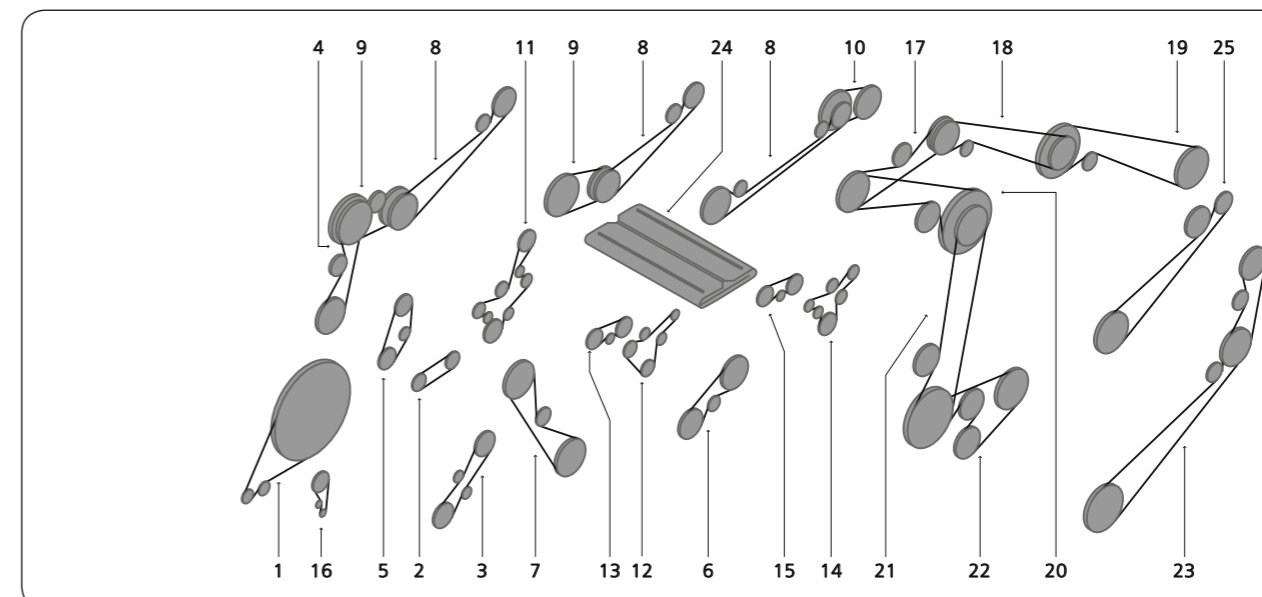
X - not in standard offer / brak w standardowej ofercie

ITEM / POZYCJA	APPLICATION	OPIS	QUANTITY OF V-BELTS IN DRIVE / ILOŚĆ PASÓW W ZESPOLE	OE PART NUMBER / NUMER KATALOGOWY	COMMENT / UWAGI
8	VARIABLE FEEDER DRIVE, START SERIAL: D940 FOR STONE TRAP MODULE ONLY FOR HIGH SPEED ONLY	NAPĘD PRZENOŚNIKA POCHYLEGO, START SERIAL: D940 ZBIERAK KAMIENI DO DUŻEJ PRĘDKOŚCI	1	84589013	X
8	VARIABLE FEEDER DRIVE, SERIAL RANGE: -C865	NAPĘD PRZENOŚNIKA POCHYLEGO, SERIAL: -C865	1	84298895	X
8	VARIABLE FEEDER DRIVE, START SERIAL: D866	NAPĘD PRZENOŚNIKA POCHYLEGO, START SERIAL: D866	1	84589013	X
8	"FEEDER DRIVE, START SERIAL: D940" FOR STONE TRAP MODULE ONLY FOR DUAL SPEED ONLY	"NAPĘD PRZENOŚNIKA POCHYLEGO, START SERIAL: D940" ZBIERAK KAMIENI DO NAPĘDU DWUBIEGOWEGO	1	84589012	X
9	FEEDER DRIVE VARIATOR FOR STONE TRAP MODULE ONLY FOR DUAL SPEED ONLY	NAPĘD PRZENOŚNIKA POCHYLEGO NAPĘD PRZENOŚNIKA POCHYLEGO, START SERIAL: D940 ZBIERAK KAMIENI DO NAPĘDU DWUBIEGOWEGO	1	87583907	X
9	FEEDER DRIVE VARIATOR, START SERIAL: D940 FOR STONE TRAP MODULE ONLY FOR DUAL SPEED ONLY	NAPĘD PRZENOŚNIKA POCHYLEGO, START SERIAL: D940 ZBIERAK KAMIENI DO NAPĘDU DWUBIEGOWEGO	1	47487792	X
9	FEEDER DRIVE VARIATOR, START SERIAL: D940 FOR STONE TRAP MODULE ONLY FOR HIGH SPEED ONLY	NAPĘD PRZENOŚNIKA POCHYLEGO, START SERIAL: D940 ZBIERAK KAMIENI DO DUŻEJ PRĘDKOŚCI	1	84398996	X
10	"ROTOR VARIATOR, SERIAL RANGE: -C879" FOR CR8070E3, CR8070E4, CR8080E3, CR8080E4 AND CR8080TR4 ONLY SERIAL RANGE: -F880911 FOR CR8070E3, CR8070E4, CR8080E3, CR8080E4 AND CR8080TR4 ONLY START SERIAL: D912 FOR CR8070E3, CR8070E4, CR8080E3, CR8080E4 AND CR8080TR4 ONLY	"WARIATOR ROTORA, SERIAL : -C879" DO CR8070E3, CR8070E4, CR8080E3, CR8080E4 I CR8080TR4 SERIAL: -F880911 DO CR8070E3, CR8070E4, CR8080E3, CR8080E4 I CR8080TR4 START SERIAL: D912 DO CR8070E3, CR8070E4, CR8080E3, CR8080E4 I CR8080TR4	1	87676816	X
10	"ROTOR VARIATOR, SERIAL RANGE: -C879" "FOR CR9070E4, CR9070TR4, CR9080B3, CR9080E3, CR9080TR3, CR9080E4, CR9080TR4, CR9090E4 AND CR9090TR4 ONLY"	"WARIATOR ROTORA, SERIAL : -C879" "DO CR9070E4, CR9070TR4, CR9080B3, CR9080E3, CR9080TR3, CR9080E4, CR9080TR4, CR9090E4 I CR9090TR4"	1	87540195	X
10	SERIAL RANGE: -F880911 "FOR CR9070E4, CR9070TR4, CR9080B3, CR9080E3, CR9080TR3, CR9080E4, CR9080TR4, CR9090E4, CR9090TR4 AND CR9090N4 ONLY" START SERIAL: D912	SERIAL: -F880911 "DO CR9070E4, CR9070TR4, CR9080B3, CR9080E3, CR9080TR3, CR9080E4, CR9080TR4, CR9090E4, CR9090TR4 I CR9090N4" START SERIAL: D912	1	84491658	X
10	"FOR CR9070E4, CR9070TR4, CR9080B3, CR9080E3, CR9080TR3, CR9080E4, CR9080TR4, CR9090E4, CR9090TR4 AND CR9090N4 ONLY" START SERIAL: D912	"DO CR9070E4, CR9070TR4, CR9080B3, CR9080E3, CR9080TR3, CR9080E4, CR9080TR4, CR9090E4, CR9090TR4 I CR9090N4" START SERIAL: D912	1	87540195	X
11	"FOR CR9070E4, CR9070TR4, CR9080B3, CR9080E3, CR9080TR3, CR9080E4, CR9080TR4, CR9090E4, CR9090TR4 AND CR9090N4 ONLY" ENGINE, CRANKSHAFT PULLEY TO ALTERNATOR, AIRCO COMPRESSOR AND WATER PUMP FOR CR8070E3 AND CR8070E4 ONLY "FOR ENGINE MODEL F2C E9684P*E024 ONLY" "FOR ENGINE MODEL F2C FE613A*A015 ONLY"	"DO CR9070E4, CR9070TR4, CR9080B3, CR9080E3, CR9080TR3, CR9080E4, CR9080TR4, CR9090E4, CR9090TR4 I CR9090N4" SILNIK, WAŁ KORBOWY DO ALTERNATORA, NAPĘD KOMPRESORA KLIMATYZACJI I POMPY WODNEJ DO CR8070E3 I CR8070E4 "DO SILNIKA MODEL F2C E9684P*E024" "DO SILNIKA MODEL F2C FE613A*A015"	1	84292639	X
12	ENGINE, CRANKSHAFT PULLEY TO ALTERNATOR AND WATER PUMP FOR CR9070E4, CR9070TR4, CR8080E3, CR8080E4 AND CR8080TR4 ONLY "FOR ENGINE MODEL F3A E0684S*E914 ONLY" "FOR ENGINE MODEL F3A FE613A*A001 ONLY"	SILNIK, WAŁ KORBOWY NAPĘDU ALTERNATORA I POMPY WODNEJ DO CR9070E4, CR9070TR4, CR8080E3, CR8080E4 I CR8080TR4 "DO SILNIKA MODEL F3A E0684S*E914" "DO SILNIKA MODEL F3A FE613A*A001"	1	84238513	X
13	ENGINE, CRANKSHAFT PULLEY TO AIR CONDITIONER UNIT FOR CR9070E4, CR9070TR4, CR8080E3, CR8080E4 AND CR8080TR4 ONLY "FOR ENGINE MODEL F3A E0684S*E914 ONLY" "FOR ENGINE MODEL F3A FE613A*A001 ONLY"	SILNIK, WAŁ KORBOWY KLIMATYZACJI DO CR9070E4, CR9070TR4, CR8080E3, CR8080E4 I CR8080TR4 "DO SILNIKA MODEL F3A E0684S*E914" "DO SILNIKA MODEL F3A FE613A*A001"	1	84238514	X
14	ENGINE, CRANKSHAFT PULLEY TO ALTERNATOR AND WATER PUMP FOR CR9080B3, CR9080E3, CR9080TR3, CR9080E4, CR9080TR4, CR9090E4 AND CR9090TR4 ONLY "FOR ENGINE MODEL F3B E0684N*E918 ONLY" "FOR ENGINE MODEL F3B FE613D*A003 ONLY" "FOR ENGINE MODEL F3B FE613E*A003 ONLY"	SILNIK, WAŁ KORBOWY NAPĘDU ALTERNATORA I POMPY WODNEJ DO CR9080B3, CR9080E3, CR9080TR3, CR9080E4, CR9080TR4, CR9090E4 I CR9090TR4 "DO SILNIKA MODEL F3B E0684N*E918" "DO SILNIKA MODEL F3B FE613D*A003" "DO SILNIKA MODEL F3B FE613E*A003"	1	84247607	X
14	ENGINE, CRANKSHAFT PULLEY TO ALTERNATOR AND WATER PUMP FOR CR9090N4 ONLY "FOR ENGINE MODEL F3B FE613D*A003 ONLY"	SILNIK, WAŁ KORBOWY NAPĘDU ALTERNATORA I POMPY WODNEJ DO CR9090N4 "DO SILNIKA MODEL F3B FE613D*A003"	1	84247607	X

X - not in standard offer / brak w standardowej ofercie

ITEM / POZYCJA	APPLICATION	OPIS	QUANTITY OF V-BELTS IN DRIVE / ILOŚĆ PASÓW W ZESPOLE	OE PART NUMBER / NUMER KATALOGOWY	COMMENT / UWAGI
15	ENGINE, CRANKSHAFT PULLEY TO AIR CONDITIONER UNIT FOR CR9080B3, CR9080E3, CR9080TR3, CR9080E4, CR9080TR4, CR9090E4 AND CR9090TR4 ONLY "FOR ENGINE MODEL F3B E0684N*E918 ONLY" "FOR ENGINE MODEL F3B FE613D*A003 ONLY" "FOR ENGINE MODEL F3B FE613E*A003 ONLY"	SILNIK, WAŁ KORBOWY KLIMATYZACJI DO CR9080B3, CR9080E3, CR9080TR3, CR9080E4, CR9080TR4, CR9090E4 I CR9090TR4 "DO SILNIKA MODEL F3B E0684N*E918" "DO SILNIKA MODEL F3B FE613D*A003" "DO SILNIKA MODEL F3B FE613E*A003"	1	84223612	X
16	DUSTSCREEN ASPIRATOR, START SERIAL: D900	ASPIRATOR KURZU, START SERIAL: D900	1	84422774	X
17	START SERIAL: D940 FOR STONE TRAP MODULE ONLY FOR DUAL SPEED ONLY	START SERIAL: D940 ZBIERAK KAMIENI DO NAPĘDU DWUBIEGOWEGO	1	47434574	X
17	START SERIAL: D940 FOR STONE TRAP MODULE ONLY FOR LOW SPEED ONLY	START SERIAL: D940 ZBIERAK KAMIENI DO WOLNYCH OBROTÓW	1	84398998	X
18	MAIN DRIVE	NAPĘD GŁÓWNY	1	87545651	
19	CHOPPER INTERMEDIATE DRIVE	NAPĘD POŚREDNI ROZDRABNIACZA SŁOMY	1	87557181	
20	CHOPPER INTERMEDIATE DRIVE	NAPĘD POŚREDNI ROZDRABNIACZA SŁOMY	1	84168012	X
20	CHOPPER INTERMEDIATE DRIVE	NAPĘD POŚREDNI ROZDRABNIACZA SŁOMY	1	84188121	
21	BEATER DRIVE	NAPĘD ZESPOŁU MŁOCARNI	1	87546479	
22	BEATER INTERMEDIATE DRIVE	NAPĘD POŚREDNI MŁOCARNI	1	87315599	
23	SHAKER SHOE DRIVE, SELF LEVELLING	NAPĘD KOSZA SITOWEGO	1	84353448	X
24	FEEDER DRIVE	NAPĘD PRZENOŚNIKA POCHYLEGO	1	84274885	X
24	FEEDER DRIVE FEEDER DRIVE, START SERIAL: D951 FOR STONE TRAP MODULE ONLY	NAPĘD PRZENOŚNIKA POCHYLEGO NAPĘD PRZENOŚNIKA POCHYLEGO, START SERIAL: D951 ZBIERAK KAMIENI	1 1 1	87545653 84582509	X X
25	CONVEYOR ASSEMBLY, PSD FOR CR8070E3, CR8070E4, CR8080E3, CR8080E4 AND CR8080TR4 ONLY	PRZENOŚNIK, PSD DO CR8070E3, CR8070E4, CR8080E3, CR8080E4 I CR8080TR4	1	87031495	X
25	CONVEYOR ASSEMBLY, PSD FOR CR9090N4 ONLY "FOR CR9070E4, CR9070TR4, CR9080B3, CR9080E3, CR9080TR3, CR9080E4, CR9080TR4, CR9090E4, CR9090TR4 AND CR9090N4 ONLY"	PRZENOŚNIK, PSD DO CR9090N4 "DO CR9070E4, CR9070TR4, CR9080B3, CR9080E3, CR9080TR3, CR9080E4, CR9080TR4, CR9090E4, CR9090TR4 I CR9090N4"	1	87031493	X
26	UNLOADING AUGER DRIVE	NAPĘD ŚLIMAKA WYSYPY ZBIORNIKA	1	87011585	

X - not in standard offer / brak w standardowej ofercie



ITEM / POZYCJA	APPLICATION	OPIS	QUANTITY OF V-BELTS IN DRIVE / ILOŚĆ PASÓW W ZESPOLE	OE PART NUMBER / NUMER KATALOGOWY	COMMENT / UWAGI
1	ROTARY SCREEN FOR CR6090G4, CR7090G4 ONLY FOR CR8080G4, CR8090G4 ONLY	NAPĘD KOSZA CHŁODNICY DO CR6090G4, CR7090G4 DO CR8080G4, CR8090G4	1	87664428	
1	ROTARY SCREEN FOR CR9090G4 ONLY	NAPĘD KOSZA CHŁODNICY DO CR9090G4	1	87758085	
2	ROTARY SCREEN DRIVE FOR CR6090G4, CR7090G4 ONLY	NAPĘD KOSZA CHŁODNICY DO CR6090G4, CR7090G4	1	87556830	X
2	ROTARY SCREEN DRIVE FOR CR8080G4, CR8090G4 ONLY	NAPĘD KOSZA CHŁODNICY DO CR8080G4, CR8090G4	1	747177	X
2	ROTARY SCREEN DRIVE FOR CR9090G4 ONLY	NAPĘD KOSZA CHŁODNICY DO CR9090G4	1	9818704	
3	FEEDER DRIVE	NAPĘD PRZENOŚNIKA POCHYLEGO	1	84254480	X
3	FEEDER DRIVE FOR STONE TRAP MODULE ONLY	NAPĘD PRZENOŚNIKA POCHYLEGO ZBIERAK KAMIENI	1	84582506	X
4	STONE TRAP DRIVE	NAPĘD ZBIERAKA KAMIENI	1	84398998	X
4	STONE TRAP DRIVE FOR STONE TRAP MODULE ONLY FOR HIGH SPEED STONE TRAP DRIVE	NAPĘD ZBIERAKA KAMIENI ZBIERAK KAMIENI DO DUŻEJ PRĘDKOŚCI NAPĘD ZBIERAKA KAMIENI	1	47434574	X
4	STONE TRAP DRIVE FOR STONE TRAP MODULE ONLY FOR DUAL SPEED	NAPĘD ZBIERAKA KAMIENI ZBIERAK KAMIENI DO NAPĘDU DWUBIEGOWEGO	1	47434574	X
5	FAN DRIVE FOR CR6090G4, CR7090G4 ONLY	NAPĘD WENTYLATORA DO CR6090G4, CR7090G4	1	918062	X
5	FAN DRIVE FOR CR8080G4, CR8090G4 ONLY	NAPĘD WENTYLATORA DO CR8080G4, CR8090G4	1	87284244	X
5	FAN DRIVE FOR CR9090G4 ONLY	NAPĘD WENTYLATORA DO CR9090G4	1	84336005	
6	NAPĘD DOLNY ŚLIMAKA FOR CR8080G4, CR8090G4 ONLY FOR CR9090G4 ONLY FOR CR7090G4 ONLY	NAPĘD DOLNY ŚLIMAKA DO CR8080G4, CR8090G4 DO CR9090G4 DO CR7090G4	1	84332132	
7	GRAIN ELEVATOR DRIVE	NAPĘD PRZENOŚNIKA ZIARNOWEGO	1	84137965	
8	FEEDER DRIVE FOR GRAIN ONLY	NAPĘD PRZENOŚNIKA POCHYLEGO DO ZIARNA	1	47452756	X

X - not in standard offer / brak w standardowej ofercie

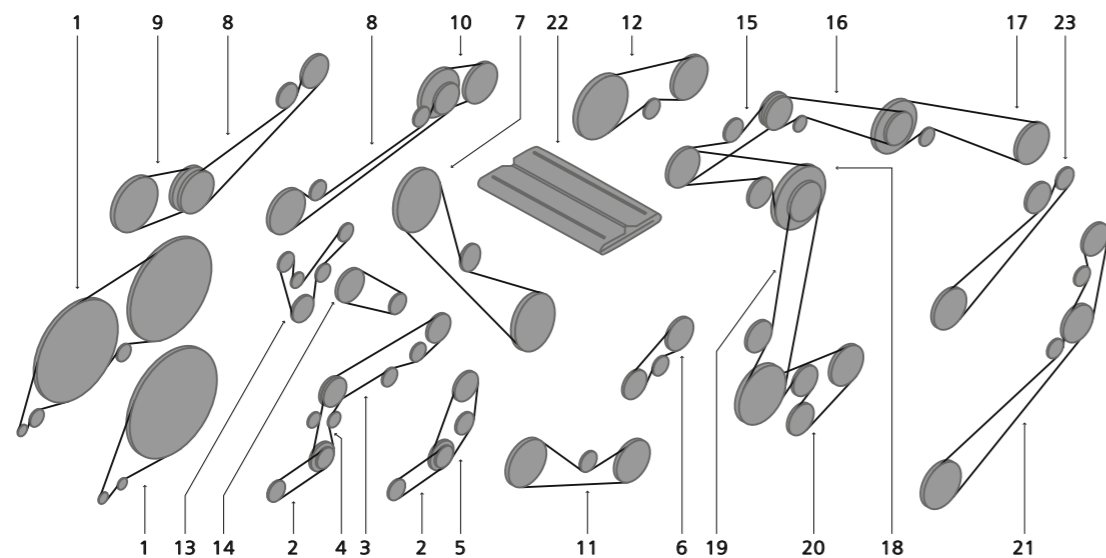


ITEM / POZYCJA	APPLICATION	OPIS	QUANTITY OF V-BELTS IN DRIVE / ILOŚĆ PASÓW W ZESPOLE	OE PART NUMBER / NUMER KATALOGOWY	COMMENT / UWAGI
8	FEEDER DRIVE FOR CORN AND BEAN ONLY FOR ASP ( ADVANCED STONE PROTECTION ) ONLY	NAPĘD PRZENOŚNIKA POCHYLEGO DO KUKURYDZY I FASOLI DO ASP	1	47441074	X
8	VARIABLE FEEDER DRIVE FOR STONE TRAP MODULE ONLY FOR HIGH SPEED STONE TRAP DRIVE FOR DUAL SPEED	NAPĘD PRZENOŚNIKA POCHYLEGO ZBIERAK KAMIENI DO DUŻEJ PRĘDKOŚCI NAPĘD ZBIERAKA KAMIENI DO NAPĘDU DWUBIEGOWEGO	1	84589013	X
8	FOR STONE TRAP MODULE ONLY FOR DUAL SPEED	ZBIERAK KAMIENI DO NAPĘDU DWUBIEGOWEGO	1	84589012	X
9	FOR STONE TRAP MODULE ONLY FOR HIGH SPEED STONE TRAP DRIVE	ZBIERAK KAMIENI DO DUŻEJ PRĘDKOŚCI NAPĘD ZBIERAKA KAMIENI	1	84398996	X
9	FEEDER DRIVE VARIATOR FOR STONE TRAP MODULE ONLY FOR DUAL SPEED	NAPĘD PRZENOŚNIKA POCHYLEGO ZBIERAK KAMIENI DO NAPĘDU DWUBIEGOWEGO	1	47487792	X
10	ROTOR VARIATOR FOR CR6090G4, CR7090G4 ONLY FOR CR8080G4 ONLY	WARIATOR ROTORA DO CR6090G4, CR7090G4 DO CR8080G4	1	87676816	X
10	ROTOR VARIATOR FOR CR9090G4 ONLY FOR CR8090G4 ONLY	WARIATOR ROTORA DO CR9090G4 DO CR8090G4	1	87540195	X
11	ENGINE, CRANKSHAFT PULLEY TO ALTERNATOR, AIRCO COMPRESSOR AND WATER PUMP FOR CR6090G4, CR7090G4 ONLY FOR ENGINE MODEL F2C FE613E*A018 (CR6090G4) ONLY FOR ENGINE MODEL F2C FE613A*A017 (CR7090G4) ONLY	SILNIK, WAŁ KORBOWY DO ALTERNATOR, NAPĘD KOMPRESORA KLIMATYZACJI I POMPY WODNEJ DO CR6090G4, CR7090G4 DO SILNIKA MODEL F2C FE613E*A018 ( CR6090G4 ) DO SILNIKA MODEL F2C FE613A*A017 ( CR7090G4 )	1	84292639	X
12	ENGINE, CRANKSHAFT PULLEY TO ALTERNATOR AND WATER PUMP FOR CR8080G4, CR8090G4 ONLY FOR ENGINE MODEL F3A FE613A*A002 ( CR8080G4, CR8090G4 ) ONLY	SILNIK, WAŁ KORBOWY NAPĘDU ALTERNATORA I POMPY WODNEJ DO CR8080G4, CR8090G4 DO SILNIKA MODEL F3A FE613A*A002 ( CR8080G4, CR8090G4 )	1	84238513	X
13	ENGINE, CRANKSHAFT PULLEY TO AIR CONDITIONER UNIT FOR CR8080G4, CR8090G4 ONLY FOR ENGINE MODEL F3A FE613A*A002 ( CR8080G4, CR8090G4 ) ONLY	SILNIK, WAŁ KORBOWY KLIMATYZACJI DO CR8080G4, CR8090G4 DO SILNIKA MODEL F3A FE613A*A002 ( CR8080G4, CR8090G4 )	1	84238514	X
14	ENGINE, CRANKSHAFT PULLEY TO ALTERNATOR AND WATER PUMP FOR CR9090G4 ONLY FOR ENGINE MODEL F3B FE613D*A004 (CR9090G4) ONLY	SILNIK, WAŁ KORBOWY NAPĘDU ALTERNATORA I POMPY WODNEJ DO CR9090G4 DO SILNIKA MODEL F3B FE613D*A004 (CR9090G4 )	1	84247607	X
15	ENGINE, CRANKSHAFT PULLEY TO AIR CONDITIONER UNIT FOR CR9090G4 ONLY FOR ENGINE MODEL F3B FE613D*A004 (CR9090G4) ONLY	SILNIK, WAŁ KORBOWY KLIMATYZACJI DO CR9090G4 DO SILNIKA MODEL F3B FE613D*A004 (CR9090G4 )	1	84223612	X
16	DUST SCREEN ASPIRATOR	ASPIRATOR KURZU	1	84422774	X
17	MAIN DRIVE	NAPĘD GŁÓWNY	1	87545651	
18	CHOPPER INTERMEDIATE DRIVE FOR CR6090G4, CR7090G4 ONLY FOR CR8080G4 ONLY	NAPĘD POŚREDNI ROZDRABNIACZA SŁOMY DO CR6090G4, CR7090G4 DO CR8080G4	1	87580100	
18	CHOPPER INTERMEDIATE DRIVE FOR CR9090G4 ONLY FOR CR8090G4 ONLY	NAPĘD POŚREDNI ROZDRABNIACZA SŁOMY DO CR9090G4 DO CR8090G4	1	87557181	
18	CHOPPER INTERMEDIATE DRIVE FOR CHOPPER READY DRIVE ONLY	NAPĘD POŚREDNI ROZDRABNIACZA SŁOMY DO NAPĘDU ROZDRABNIACZA SŁOMY	1	87580100	
19	CHOPPER INTERMEDIATE DRIVE FOR CR6090G4, CR7090G4 ONLY FOR CR8080G4 ONLY	NAPĘD POŚREDNI ROZDRABNIACZA SŁOMY DO CR6090G4, CR7090G4 DO CR8080G4	1	87580100	
19	CHOPPER INTERMEDIATE DRIVE FOR CR9090G4 ONLY FOR CR8090G4 ONLY	NAPĘD POŚREDNI ROZDRABNIACZA SŁOMY DO CR9090G4 DO CR8090G4	1	84188121	
20	BEATER DRIVE	NAPĘD ZESPOŁU MŁOCARNI	1	87546479	
21	BEATER INTERMEDIATE DRIVE	NAPĘD POŚREDNI MŁOCARNI	1	87315599	
22	SHAKER SHOE DRIVE, SELF LEVELLING	NAPĘD KOSZA SITOWEGO	1	84353448	X

X - not in standard offer / brak w standardowej ofercie

ITEM / POZYCJA	APPLICATION	OPIS	QUANTITY OF V-BELTS IN DRIVE / ILOŚĆ PASÓW W ZESPOLE	OE PART NUMBER / NUMER KATALOGOWY	COMMENT / UWAGI
23	FEEDER DRIVE FOR GRAIN ONLY	NAPĘD PRZENOŚNIKA POCHYLEGO DO ZIARNA	1	84274885	X
23	FEEDER DRIVE FOR STONE TRAP MODULE ONLY	NAPĘD PRZENOŚNIKA POCHYLEGO ZBIERAK KAMIENI	1	87545653	
23	FEEDER DRIVE	NAPĘD PRZENOŚNIKA POCHYLEGO	1	84582509	X
24	CONVEYOR ASSEMBLY, PSD FOR CR6090G4, CR7090G4 ONLY FOR CR8080G4 ONLY	PRZENOŚNIK, PSD DO CR6090G4, CR7090G4 DO CR8080G4	1	87031495	X
24	CONVEYOR ASSEMBLY, PSD FOR CR9090G4 ONLY FOR CR8090G4 ONLY	PRZENOŚNIK, PSD DO CR9090G4 DO CR8090G4	1	87031493	X
25	UNLOADING AUGER DRIVE FOR CR6090G4, CR7090G4 ONLY FOR CR8080G4 ONLY	NAPĘD ŚLIMAKA WYSYPU ZBIORNIKA DO CR6090G4, CR7090G4 DO CR8080G4	1	87011585	
25	UNLOADING AUGER DRIVE FOR CR9090G4 ONLY FOR CR8090G4 ONLY	NAPĘD ŚLIMAKA WYSYPU ZBIORNIKA DO CR9090G4 DO CR8090G4	1	47451475	X

X - not in standard offer / brak w standardowej ofercie

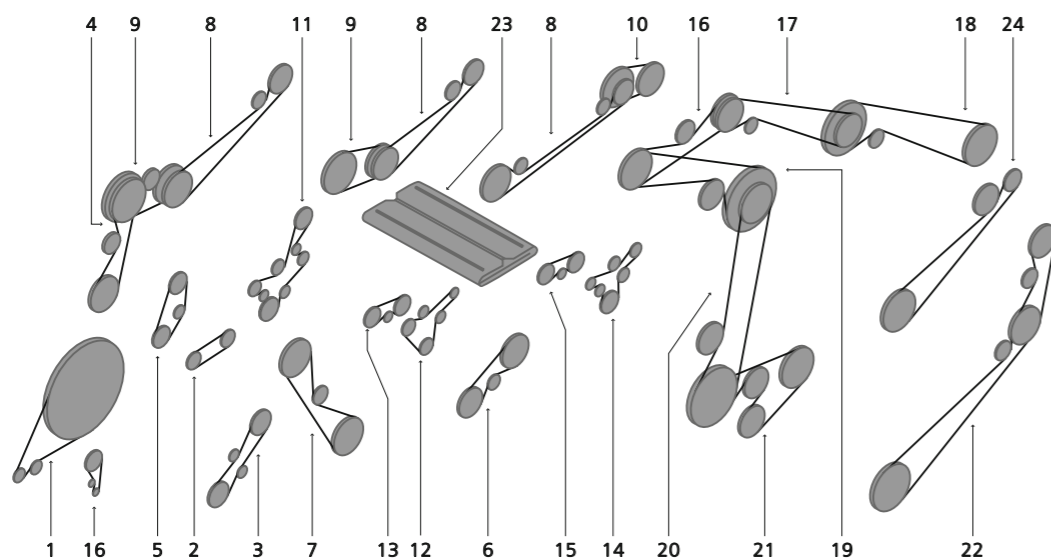


ITEM / POZYCJA	APPLICATION	OPIS	QUANTITY OF V-BELTS IN DRIVE / ILOŚĆ PASÓW W ZESPOLE	OE PART NUMBER / NUMER KATALOGOWY	COMMENT / UWAGI
1	ROTARY SCREEN, SERIAL RANGE: -C599 FOR CR9070 ONLY	NAPĘD KOSZA CHŁODNICY, SERIAL: -C599 DO CR9070	1	84057085	
1	ROTARY SCREEN, START SERIAL: D600 FOR CR9070 ONLY	NAPĘD KOSZA CHŁODNICY, START SERIAL: D600 DO CR9070	1	87664428	
1	ROTARY SCREEN FOR CR9080 ONLY	NAPĘD KOSZA CHŁODNICY DO CR9080	1	9513136	
1	ROTARY SCREEN FOR CR9090 ONLY	NAPĘD KOSZA CHŁODNICY DO CR9090	1	87653464	X
2	ROTARY SCREEN DRIVE FOR CR9070 ONLY	NAPĘD KOSZA CHŁODNICY DO CR9070	1	747177	X
2	ROTARY SCREEN FOR CR9090 ONLY	NAPĘD KOSZA CHŁODNICY DO CR9090	1	9818704	
3	FAN DRIVE FOR CR9090 ONLY	NAPĘD WENTYLATORA DO CR9090	1	87662910	X
4	FAN FOR CR9090 ONLY	WENTYLATOR DO CR9090	1	87663279	X
5	FAN DRIVE FOR CR9070 AND CR9080 ONLY	NAPĘD WENTYLATORA DO CR9070 I CR9080	1	87284244	X
6	NAPĘD DOLNY ŚLIMAKA	NAPĘD DOLNY ŚLIMAKA	1	84058339	
6	NAPĘD DOLNY ŚLIMAKA	NAPĘD DOLNY ŚLIMAKA	1	84455757	
6	NAPĘD DOLNY ŚLIMAKA	NAPĘD DOLNY ŚLIMAKA	1	84196804	
7	GRAIN ELEVATOR DRIVE FOR CR9060 AND CR9070 ONLY	NAPĘD PRZENOŚNIKA ZIARNOWEGO DO CR9060 I CR9070	1	87319821	
7	GRAIN ELEVATOR DRIVE, SERIAL RANGE: -C659 FOR CR9080 ONLY	NAPĘD PRZENOŚNIKA ZIARNOWEGO, SERIAL: -C659 DO CR9080	1	87319821	
7	GRAIN ELEVATOR DRIVE, START SERIAL: D660 FOR CR9080 AND CR9090 ONLY	NAPĘD PRZENOŚNIKA ZIARNOWEGO, START SERIAL: D660 DO CR9080 I CR9090	1	84137965	
8	FEEDER DRIVE, SERIAL RANGE: -C626 "FOR CR9060, CR9070 AND CR9080 ONLY"	NAPĘD PRZENOŚNIKA POCHYLEGO, SERIAL: -C626 "DO CR9060, CR9070 I CR9080"	1	86589482	
8	FEEDER DRIVE, START SERIAL: D627	NAPĘD PRZENOŚNIKA POCHYLEGO, START SERIAL: D627	1	87741240	X
8	"VARIABLE FEEDER DRIVE, SERIAL RANGE:-F627659" FOR CR9060 ONLY	"NAPĘD PRZENOŚNIKA POCHYLEGO, SERIAL:-F627659" DO CR9060	1	86729163	X
8	VARIABLE FEEDER DRIVE, SERIAL RANGE: -C659 FOR CR9070 AND CR9080 ONLY	NAPĘD PRZENOŚNIKA POCHYLEGO, SERIAL: -C659 DO CR9070 I CR9080	1	86729163	X
8	VARIABLE FEEDER DRIVE, START SERIAL: D660 "FOR CR9060, CR9070 AND CR9080 ONLY"	NAPĘD PRZENOŚNIKA POCHYLEGO, START SERIAL: D660 "DO CR9060, CR9070 I CR9080"	1	87583899	X

X - not in standard offer / brak w standardowej ofercie

ITEM / POZYCJA	APPLICATION	OPIS	QUANTITY OF V-BELTS IN DRIVE / ILOŚĆ PASÓW W ZESPOLE	OE PART NUMBER / NUMER KATALOGOWY	COMMENT / UWAGI
9	"FEEDER DRIVE VARIATOR, SERIAL RANGE: -F627659" FOR CR9060 ONLY	"NAPĘD PRZENOŚNIKA POCHYLEGO, SERIAL: -F627659" DO CR9060	1	86596143	X
9	FEEDER DRIVE VARIATOR, SERIAL RANGE: -C659 FOR CR9070 AND CR9080 ONLY	NAPĘD PRZENOŚNIKA POCHYLEGO, SERIAL: -C659 DO CR9070 I CR9080	1	86596143	X
9	FEEDER DRIVE VARIATOR, START SERIAL: D660 "FOR CR9060, CR9070 AND CR9080 ONLY"	NAPĘD PRZENOŚNIKA POCHYLEGO, START SERIAL: D660 "DO CR9060, CR9070 I CR9080"	1	87583907	X
10	"ROTOR VARIATOR, SERIAL RANGE: -C626" FOR CR9060 AND CR9070 ONLY	"WARIATOR ROTORA, SERIAL: -C626" DO CR9060 I CR9070	1	87622201	X
10	ROTOR VARIATOR, START SERIAL: D627 FOR CR9060 AND CR9070 ONLY	WARIATOR ROTORA, START SERIAL: D627 DO CR9060 I CR9070	1	87676816	X
10	"ROTOR VARIATOR, SERIAL RANGE: -C659" FOR CR9080 AND CR9090 ONLY	"WARIATOR ROTORA, SERIAL: -C659" DO CR9080 I CR9090	1	87547837	X
10	ROTOR VARIATOR, START SERIAL: D660 FOR CR9080 AND CR9090 ONLY	WARIATOR ROTORA, START SERIAL: D660 DO CR9080 I CR9090	1	87540195	X
11	HYDRAULIC FAN DRIVE	NAPĘD HYDRAULICZNY WENTYLATORA	1	87636309	
12	AIR CONDITIONER UNIT, COMPRESSOR DRIVE, SERIAL RANGE: -C603 FOR CR9060 AND CR9070 ONLY	KLIMATYZACJA, NAPĘD KOMPRESORA, SERIAL: -C603 DO CR9060 I CR9070	1	84818007	X
12	AIR CONDITIONER UNIT, COMPRESSOR DRIVE, START SERIAL: D604 FOR CR9060 AND CR9070 ONLY	KLIMATYZACJA, NAPĘD KOMPRESORA, START SERIAL: D604 DO CR9060 I CR9070	1	84818008	X
12	AIR CONDITIONER UNIT, COMPRESSOR DRIVE FOR CR9080 AND CR9090 ONLY	KLIMATYZACJA, NAPĘD KOMPRESORA DO CR9080 I CR9090	1	84818008	X
13	ENGINE, CRANCKSHAFT PULLEY TO ALTERNATOR FOR CR9060 ONLY	SILNIK, WAŁ KORBOWY DO ALTERNATORA DO CR9060	1	500371653	X
	FOR ENGINE MODEL F2C E9684P*E007	DO SILNIKA MODEL F2C E9684P*E007			
13	ENGINE, CRANCKSHAFT PULLEY TO ALTERNATOR FOR CR9070 ONLY	SILNIK, WAŁ KORBOWY DO ALTERNATORA DO CR9070	1	500380059	X
	FOR ENGINE MODEL F3A E0684S*E908	DO SILNIKA MODEL F3A E0684S*E908			
13	ENGINE, CRANCKSHAFT PULLEY TO ALTERNATOR FOR CR9080 AND CR9090 ONLY	SILNIK, WAŁ KORBOWY DO ALTERNATORA DO CR9080 I CR9090	1	504049425	X
	FOR ENGINE MODEL F3C E0684E*E004	DO SILNIKA MODEL F3C E0684E*E004			
	FOR ENGINE MODEL F3B E0684N*E904	DO SILNIKA MODEL F3B E0684N*E904			
14	ENGINE, CRANCKSHAFT PULLEY TO AIRCO COMPRESSOR FOR CR9060 ONLY	SILNIK, WAŁ KORBOWY DO KOMPRESORA KLIMATYZACJI DO CR9060	1	504145203	X
	FOR ENGINE MODEL F2C E9684P*E007	DO SILNIKA MODEL F2C E9684P*E007			
15	MAIN DRIVE	NAPĘD GŁÓWNY	1	87545651	
16	CHOPPER INTERMEDIATE DRIVE	NAPĘD POŚREDNI ROZDRABNIACZA SŁOMY	1	87557181	
17	CHOPPER DRIVE, SERIAL RANGE: -C723	NAPĘD SIECZKARNI, SERIAL: -C723	1	87526022	X
17	CHOPPER DRIVE, START SERIAL: D724	NAPĘD SIECZKARNI, START SERIAL: D724	1	84168012	X
18	BEATER DRIVE	NAPĘD ZESPOŁU MŁOCARNI	1	87546479	
19	BEATER INTERMEDIATE DRIVE	NAPĘD POŚREDNI MŁOCARNI	1	87315599	
20	SHAKER SHOE DRIVE, SELF-LEVELLING	NAPĘD KOSZA SITOWEGO	2	87325684	X
21	FEEDER DRIVE	NAPĘD PRZENOŚNIKA POCHYLEGO	1	87545653	
22	PSD FOR CR9060 AND CR9070 ONLY	PSD DO CR9060 I CR9070	1	87031495	X
22	PSD FOR CR9080 AND CR9090 ONLY	PSD DO CR9080 I CR9090	1	87031493	X
23	UNLOADING AUGER DRIVE	NAPĘD ŚLIMAKA WYSYPY ZBIORNIKA	1	87011585	

X - not in standard offer / brak w standardowej ofercie



ITEM / POZYCJA	APPLICATION	OPIS	QUANTITY OF V-BELTS IN DRIVE / ILOŚĆ PASÓW W ZESPOLE	OE PART NUMBER / NUMER KATALOGOWY	COMMENT / UWAGI
1	ROTARY SCREEN FOR CR9080A3 AND CR9090A4 ONLY	NAPĘD KOSZA CHŁODNICY DO CR9080A3 I CR9090A4	1	87758085	
1	ROTARY SCREEN FOR CR6090A4 AND CR7090A4 ONLY FOR CR8080A4 ,CR8090A3 AND CR8090A4 ONLY	NAPĘD KOSZA CHŁODNICY DO CR6090A4 I CR7090A4 DO CR8080A4 ,CR8090A3 I CR8090A4	1	87664428	
2	ROTARY SCREEN DRIVE FOR CR9080A3 AND CR9090A4 ONLY	NAPĘD KOSZA CHŁODNICY DO CR9080A3 I CR9090A4	1	9818704	
2	ROTARY SCREEN DRIVE FOR CR8080A4 ,CR8090A3 AND CR8090A4 ONLY	NAPĘD KOSZA CHŁODNICY DO CR8080A4 ,CR8090A3 I CR8090A4	1	747177	X
2	ROTARY SCREEN DRIVE FOR CR6090A4 AND CR7090A4 ONLY	NAPĘD KOSZA CHŁODNICY DO CR6090A4 I CR7090A4	1	87556830	X
3			1	84254480	X
4	STONE TRAP DRIVE FOR LOW SPEED STONE TRAP DRIVE FOR STONE TRAP MODULE ONLY "FOR CR8090A3, CR8090A4, CR9080A3 AND CR9090A4 ONLY"	NAPĘD ZBIERAKA KAMIENI DO WOLNYCH OBROTÓW NAPĘD ZBIERAKA KAMIENI ZBIERAK KAMIENI "DO CR8090A3, CR8090A4, CR9080A3 I CR9090A4"	1	84398998	X
4	STONE TRAP DRIVE FOR STONE TRAP MODULE ONLY FOR HIGH SPEED STONE TRAP DRIVE "FOR CR8090A3, CR8090A4, CR9080A3 AND CR9090A4 ONLY"	NAPĘD ZBIERAKA KAMIENI ZBIERAK KAMIENI DO DUŻEJ PRĘDKOŚCI NAPĘD ZBIERAKA KAMIENI "DO CR8090A3, CR8090A4, CR9080A3 I CR9090A4"	1	84398997	X
4	STONE TRAP DRIVE "FOR CR8090A3, CR8090A4, CR9080A3 AND CR9090A4 ONLY" FOR DUAL SPEED FOR STONE TRAP MODULE ONLY	NAPĘD ZBIERAKA KAMIENI "DO CR8090A3, CR8090A4, CR9080A3 I CR9090A4" DO NAPĘDU DWUBIEGOWEGO ZBIERAK KAMIENI	1	47434574	X
5	FAN DRIVE FOR CR8090A3 AND CR8090A4 ONLY	NAPĘD WENTYLATORA DO CR8090A3 I CR8090A4	1	87284244	X
5	FAN DRIVE FOR CR6090A4 AND CR7090A4 ONLY	NAPĘD WENTYLATORA DO CR6090A4 I CR7090A4	1	918062	X
5	FAN DRIVE FOR CR8080A4 ONLY	NAPĘD WENTYLATORA DO CR8080A4	1	87284244	X
5	FAN DRIVE FOR CR9080A3 AND CR9090A4 ONLY	NAPĘD WENTYLATORA DO CR9080A3 I CR9090A4	1	84336005	
6	NAPĘD DOLNY ŚLIMAKA	NAPĘD DOLNY ŚLIMAKA	1	84332132	
7	GRAIN ELEVATOR DRIVE	NAPĘD PRZENOŚNIKA ZIARNOWEGO	1	84137965	

X - not in standard offer / brak w standardowej ofercie

ITEM / POZYCJA	APPLICATION	OPIS	QUANTITY OF V-BELTS IN DRIVE / ILOŚĆ PASÓW W ZESPOLE	OE PART NUMBER / NUMER KATALOGOWY	COMMENT / UWAGI
8	FEEDER DRIVE FOR GRAIN ONLY	NAPĘD PRZENOŚNIKA POCHYLEGO DO ZIARNA	1	84352807	X
8	FEEDER DRIVE FOR CORN AND BEAN ONLY	NAPĘD PRZENOŚNIKA POCHYLEGO DO KUKURYDZY I FASOLI	1	84352808	
8	VARIABLE FEEDER DRIVE FOR CORN AND BEAN ONLY	NAPĘD PRZENOŚNIKA POCHYLEGO DO KUKURYDZY I FASOLI	1	84298895	X
8	VARIABLE FEEDER DRIVE FOR CORN AND BEAN ONLY	NAPĘD PRZENOŚNIKA POCHYLEGO DO KUKURYDZY I FASOLI	1	84589013	X
8	FOR ASP ( ADVANCED STONE PROTECTION ) ONLY "FOR CR8090A3, CR8090A4, CR9080A3 AND CR9090A4 ONLY"	DO ASP "DO CR8090A3, CR8090A4, CR9080A3 I CR9090A4"	1	84298895	X
8	FOR ASP ( ADVANCED STONE PROTECTION ) ONLY "FOR CR8090A3, CR8090A4, CR9080A3 AND CR9090A4 ONLY"	DO ASP "DO CR8090A3, CR8090A4, CR9080A3 I CR9090A4"	1	84589013	X
8	FOR ASP ( ADVANCED STONE PROTECTION ) ONLY "FOR CR8090A3, CR8090A4, CR9080A3 AND CR9090A4 ONLY"	DO ASP "DO CR8090A3, CR8090A4, CR9080A3 I CR9090A4"	1	84589012	X
	FOR DUAL SPEED ONLY FOR STONE TRAP MODULE ONLY	DO NAPĘDU DWUBIEGOWEGO ZBIERAK KAMIENI			
9	FEEDER DRIVE VARIATOR FOR CORN AND BEAN ONLY	NAPĘD PRZENOŚNIKA POCHYLEGO DO KUKURYDZY I FASOLI	1	87583907	X
9	FOR ASP ( ADVANCED STONE PROTECTION ) ONLY "FOR CR8090A3, CR8090A4, CR9080A3 AND CR9090A4 ONLY"	DO ASP "DO CR8090A3, CR8090A4, CR9080A3 I CR9090A4"	1	84398996	X
9	"FEEDER DRIVE VARIATOR" "FOR CR8090A3, CR8090A4, CR9080A3 AND CR9090A4 ONLY"	"FEEDER DRIVE VARIATOR" "DO CR8090A3, CR8090A4, CR9080A3 I CR9090A4"	1	47487792	X
	FOR DUAL SPEED ONLY FOR STONE TRAP MODULE ONLY	DO NAPĘDU DWUBIEGOWEGO ZBIERAK KAMIENI			
10	ROTOR VARIATOR FOR CR6090A4 AND CR7090A4 ONLY FOR CR8080A4 ONLY	WARIATOR ROTORA DO CR6090A4 I CR7090A4 DO CR8080A4	1	87676816	X
10	ROTOR VARIATOR FOR CR6090A4 AND CR7090A4 ONLY FOR CR8080A4 ONLY	WARIATOR ROTORA DO CR6090A4 I CR7090A4 DO CR8080A4	1	84491659	X
10	FOR CR6090A4 AND CR7090A4 ONLY FOR CR8080A4 ONLY	DO CR6090A4 I CR7090A4 DO CR8080A4	1	87676816	X
10	ROTOR VARIATOR "FOR CR8090A3, CR8090A4, CR9080A3 AND CR9090A4 ONLY"	WARIATOR ROTORA "DO CR8090A3, CR8090A4, CR9080A3 I CR9090A4"	1	87540195	X
10	"FOR CR8090A3, CR8090A4, CR9080A3 AND CR9090A4 ONLY"	"DO CR8090A3, CR8090A4, CR9080A3 I CR9090A4"	1	84491658	X
10	"FOR CR8090A3, CR8090A4, CR9080A3 AND CR9090A4 ONLY"	"DO CR8090A3, CR8090A4, CR9080A3 I CR9090A4"	1	87540195	X
11	ENGINE, CRANKSHAFT PULLEY TO ALTERNATOR, AIRCO COMPRESSOR AND WATER PUMP FOR CR6090A4 AND CR7090A4 ONLY FOR ENGINE MODEL F2C FE613A*A017 FOR ENGINE MODEL F2C FE613E*A018	SILNIK, WAŁ KORBOWY DO ALTERNATOR, NAPĘD KOMPRESORA KLIMATYZACJI I POMPY WODNEJ DO CR6090A4 I CR7090A4 DO SILNIKA MODEL F2C FE613A*A017 DO SILNIKA MODEL F2C FE613E*A018	1	84292639	X
12	ENGINE, CRANKSHAFT PULLEY TO ALTERNATOR AND WATER PUMP FOR CR8080A4 ,CR8090A3 AND CR8090A4 ONLY FOR ENGINE MODEL F3A E06845*E913 FOR ENGINE MODEL F3A FE613A*A002	SILNIK, WAŁ KORBOWY NAPĘDU ALTERNATORA I POMPY WODNEJ DO CR8080A4 ,CR8090A3 I CR8090A4 DO SILNIKA MODEL F3A E06845*E913 DO SILNIKA MODEL F3A FE613A*A002	1	84238513	X
13	ENGINE, CRANKSHAFT PULLEY TO AIR CONDITIONER UNIT FOR CR8080A4 ,CR8090A3 AND CR8090A4 ONLY FOR ENGINE MODEL F3A E06845*E913 FOR ENGINE MODEL F3A FE613A*A002	SILNIK, WAŁ KORBOWY KLIMATYZACJI DO CR8080A4 ,CR8090A3 I CR8090A4 DO SILNIKA MODEL F3A E06845*E913 DO SILNIKA MODEL F3A FE613A*A002	1	84238514	X
14	ENGINE, CRANKSHAFT PULLEY TO ALTERNATOR AND WATER PUMP FOR CR9080A3 AND CR9090A4 ONLY FOR ENGINE MODEL F3B E0684N*E916 FOR ENGINE MODEL F3B FE613D*A004	SILNIK, WAŁ KORBOWY NAPĘDU ALTERNATORA I POMPY WODNEJ DO CR9080A3 I CR9090A4 DO SILNIKA MODEL F3B E0684N*E916 DO SILNIKA MODEL F3B FE613D*A004	1	84247607	X
15	ENGINE, CRANKSHAFT PULLEY TO AIR CONDITIONER UNIT	SILNIK, WAŁ KORBOWY KLIMATYZACJI	1	84223612	X

X - not in standard offer / brak w standardowej ofercie



ITEM / POZYCJA	APPLICATION	OPIS	QUANTITY OF V-BELTS IN DRIVE / ILOŚĆ PASÓW W ZESPOLE	OE PART NUMBER / NUMER KATALOGOWY	COMMENT / UWAGI
17	CHOPPER INTERMEDIATE DRIVE FOR CR6090A4, CR7090A4 AND CR8080A4 ONLY	NAPĘD POŚREDNI ROZDRABNIACZA SŁOMY DO CR6090A4, CR7090A4 I CR8080A4	1	87580100	
17	CHOPPER INTERMEDIATE DRIVE "FOR CR8090A3, CR8090A4, CR9080A3 AND CR9090A4 ONLY"	NAPĘD POŚREDNI ROZDRABNIACZA SŁOMY "DO CR8090A3, CR8090A4, CR9080A3 I CR9090A4"	1	87557181	
17	CHOPPER INTERMEDIATE DRIVE FOR CHOPPER READY DRIVE ONLY	NAPĘD POŚREDNI ROZDRABNIACZA SŁOMY DO NAPĘDU ROZDRABNIACZA SŁOMY	1	87580100	
18	CHOPPER INTERMEDIATE DRIVE FOR CR6090A4, CR7090A4 AND CR8080A4 ONLY	NAPĘD POŚREDNI ROZDRABNIACZA SŁOMY DO CR6090A4, CR7090A4 I CR8080A4	1	87580100	
18	CHOPPER INTERMEDIATE DRIVE "FOR CR8090A3, CR8090A4, CR9080A3 AND CR9090A4 ONLY"	NAPĘD POŚREDNI ROZDRABNIACZA SŁOMY "DO CR8090A3, CR8090A4, CR9080A3 I CR9090A4"	1	84188121	
19	BEATER DRIVE	NAPĘD ZESPOŁU MŁOCARNI	1	87546479	
20	SHAKER SHOE DRIVE	NAPĘD KOSZA SITOWEGO	1	87315599	
21	RETURNS DRIVE BELT	PRZEKŁADNIA ZMIANY KIERUNKU OBROTÓW	1	84353448	X
22	FEEDER DRIVE FOR ASP ( ADVANCED STONE PROTECTION ) ONLY	NAPĘD PRZENOŚNIKA POCHYLEGO DO ASP	1	84274885	X
22	FEEDER DRIVE FOR ASP ( ADVANCED STONE PROTECTION ) ONLY	NAPĘD PRZENOŚNIKA POCHYLEGO DO ASP	1	87545653	
22	FEEDER DRIVE FOR STONE TRAP MODULE ONLY "FOR CR8090A3, CR8090A4, CR9080A3 AND CR9090A4 ONLY"	NAPĘD PRZENOŚNIKA POCHYLEGO ZBIERAK KAMIENI "DO CR8090A3, CR8090A4, CR9080A3 I CR9090A4"	1	84394081	X
23	CONVEYOR ASSEMBLY, PSD FOR CR6090A4, CR7090A4 AND CR8080A4 ONLY	PRZENOŚNIK, PSD DO CR6090A4, CR7090A4 I CR8080A4	1	87031495	X
23	CONVEYOR ASSEMBLY, PSD "FOR CR8090A3, CR8090A4, CR9080A3 AND CR9090A4 ONLY"	PRZENOŚNIK, PSD "DO CR8090A3, CR8090A4, CR9080A3 I CR9090A4"	1	87031493	X
24	UNLOADING AUGER DRIVE	NAPĘD ŚLIMAKA WYSYPU ZBIORNIKA	1	87011585	

X - not in standard offer / brak w standardowej ofercie

## New Holland CR 960

ITEM / POZYCJA	APPLICATION	OPIS	QUANTITY OF V-BELTS IN DRIVE / ILOŚĆ PASÓW W ZESPOLE	OE PART NUMBER / NUMER KATALOGOWY	COMMENT / UWAGI
2	STRAW ELEVATOR DRIVE	NAPĘD ROZTRZĄSACZA SŁOMY		84072421	
4	UNLOADING AUGER	NAPĘD ŚLIMAKA WYSYPU ZBIORNIKA		87011585	
5	MAIN DRIVE	NAPĘD MŁOCARNI		87580097	
6	CHOPPER DRIVE	NAPĘD SIECZKARNI		84320963	X
7				87580099	
8				86566287	
9				84056913	
10	CHOPPER DRIVE	NAPĘD SIECZKARNI		84320963	X
12	DRIVE, ROTARY SCREEN AND FAN	KOSZ CHŁODNICY I WENTYLATOR		445930	
13	DRIVE, ROTARY SCREEN AND FAN	KOSZ CHŁODNICY I WENTYLATOR		84057085	
14	ALTERNATOR DRIVE	NAPĘD POMPY HYDRAULICZNEJ		80747177	
16	FEEDER DRIVE	NAPĘD PRZENOŚNIKA POCHYLEGO		86589482	
17				84058339	
18	GRAIN ELEVATOR, DRIVE	NAPĘD PRZENOŚNIKA ZBOŻOWEGO		87319821	
19				84817627	
19				80919739	X

X - not in standard offer / brak w standardowej ofercie

ITEM / POZYCJA	APPLICATION	OPIS	QUANTITY OF V-BELTS IN DRIVE / ILOŚĆ PASÓW W ZESPOLE	OE PART NUMBER / NUMER KATALOGOWY	COMMENT / UWAGI
2	STRAW ELEVATOR DRIVE	NAPĘD ROZTRZĄSACZA SŁOMY		84072421	
4	UNLOADING AUGER	NAPĘD ŚLIMAKA WYSYPU ZBIORNIKA		87011585	
5	MAIN DRIVE	NAPĘD MŁOCARNI		87580097	
6	CHOPPER DRIVE	NAPĘD SIECZKARNI		84320963	X
7				87580099	
8				86566287	
9				84056913	
10	CHOPPER DRIVE	NAPĘD SIECZKARNI		84320963	X
12	DRIVE, ROTARY SCREEN AND FAN	KOSZ CHŁODNICY I WENTYLATOR		445930	
13	DRIVE, ROTARY SCREEN AND FAN	KOSZ CHŁODNICY I WENTYLATOR		84057085	
14	ALTERNATOR DRIVE	NAPĘD POMPY HYDRAULICZNEJ		80747177	
16	FEEDER DRIVE	NAPĘD PRZENOŚNIKA POCHYLEGO		86589482	
17				84058339	
18	GRAIN ELEVATOR, DRIVE	NAPĘD PRZENOŚNIKA ZBOŻOWEGO		87319821	
19				84817627	
19				80919739	X

X - not in standard offer / brak w standardowej ofercie

## New Holland CS 520

ITEM / POZYCJA	APPLICATION	OPIS	QUANTITY OF V-BELTS IN DRIVE / ILOŚĆ PASÓW W ZESPOLE	OE PART NUMBER / NUMER KATALOGOWY	COMMENT / UWAGI
1	ALTERNATOR, WATERPUMP AND AIR COMPRESSOR	ALTERNATOR, POMPA WODNA, KOMPRESOR		84817638	X
2	MAIN TRANSMISSION	NAPĘD GŁÓWNY		84993120	
5	CHOPPER DRIVE	NAPĘD SIECZKARNI		84076421	
6	CHOPPER DRIVE	NAPĘD SIECZKARNI		84075955	
7				84452153	
8				84452112	
9				80422731	
10	FAN DRIVE VARIABLE SPEED	NAPĘD WENTYLATORA ZMIENNA PRĘDKOŚĆ		84073979	
11	SHAKER SHOE DRIVE	NAPĘD ZESPOŁU WIALNI CZYSZCZĄCEJ		84015531	
12	STRAW WALKER DRIVE	NAPĘD WYTRZĄSACZY, KOSZA SITOWEGO		84073276	
13	DRUM DRIVE	NAPĘD BĘBNA MŁOCĄCEGO		84072772	
13	DRUM DRIVE (LOW DRUM SPEED)	NAPĘD BĘBNA MŁOCĄCEGO (MAŁA PRĘDKOŚĆ)		84072815	
14				84073933	
15	DRUM DRIVE VARIABLE SPEED	NAPĘD BĘBNA MŁOCĄCEGO ZMIENNA PRĘDKOŚĆ		84035748	X
16	STRAW ELEVATOR DRIVE	NAPĘD ROZTRZĄSACZA SŁOMY		84982278	
16	STRAW ELEVATOR DRIVE (FOR CS520 ONLY)	NAPĘD ROZTRZĄSACZA SŁOMY (TYLKO DO CS520)		84991234	
17				84446792	
18	AIR COMPRESSOR	KOMPRESOR		84061465	
19	ROTARY SCREEN AND FAN	KOSZ CHŁODNY I WENTYLATOR		84989965	
19	ROTARY SCREEN AND FAN	KOSZ CHŁODNY I WENTYLATOR		84061465	
20	HYDROSTATIC PUMP DRIVE (NOT FOR CS660)	NAPĘD HYDROSTATYCZNY POMPY WODNEJ (NIE DO CS660)		84607712	
21	HYDRAULIC PUMP DRIVE	NAPĘD POMPY HYDRAULICZNEJ		80427456	
22	UNLOADING AUGER DRIVE	NAPĘD ŚLIMAKA WYSYPU ZBIORNIKA		84991836	

X - not in standard offer / brak w standardowej ofercie

ITEM / POZYCJA	APPLICATION	OPIS	QUANTITY OF V-BELTS IN DRIVE / ILOŚĆ PASÓW W ZESPOLE	OE PART NUMBER / NUMER KATALOGOWY	COMMENT / UWAGI
1	ALTERNATOR, WATERPUMP AND AIR COMPRESSOR	ALTERNATOR, POMPA WODNA, KOMPRESOR		84817638	X
2	MAIN TRANSMISSION	NAPĘD GŁÓWNY		84993120	
5	CHOPPER DRIVE	NAPĘD SIECZKARNI		84076421	
6	CHOPPER DRIVE	NAPĘD SIECZKARNI		84075955	
7				84452153	
8				84452112	
9				80422731	
10	FAN DRIVE VARIABLE SPEED	NAPĘD WENTYLATORA ZMIENNA PRĘDKOŚĆ		84073979	
11	SHAKER SHOE DRIVE	NAPĘD ZESPOŁU WIALNI CZYSZCZĄCEJ		84015531	
12	STRAW WALKER DRIVE	NAPĘD WYTRZĄSACZY, KOSZA SITOWEGO		84073276	
13	DRUM DRIVE	NAPĘD BĘBNA MŁOČĄCEGO		84072772	
13	DRUM DRIVE (LOW DRUM SPEED)	NAPĘD BĘBNA MŁOČĄCEGO (MAŁA PRĘDKOŚĆ)		84072815	
14				84073933	
15	DRUM DRIVE VARIABLE SPEED	NAPĘD BĘBNA MŁOČĄCEGO ZMIENNA PRĘDKOŚĆ		84035748	X
16	STRAW ELEVATOR DRIVE	NAPĘD ROZTRZĄSACZA SŁOMY		84982278	
16	STRAW ELEVATOR DRIVE (NOT FOR CS520)	NAPĘD ROZTRZĄSACZA SŁOMY (NIE DO CS520)		84981586	
17				89817374	
17				84446792	
18	AIR COMPRESSOR	KOMPRESOR		84061465	
19	ROTARY SCREEN AND FAN	KOSZ CHŁODNY I WENTYLATOR		84989965	
19	ROTARY SCREEN AND FAN	KOSZ CHŁODNY I WENTYLATOR		84061465	
20	HYDROSTATIC PUMP DRIVE (NOT FOR CS660)	NAPĘD HYDROSTATYCZNY POMPY WODNEJ (NIE DO CS660)		84607712	
21	HYDRAULIC PUMP DRIVE	NAPĘD POMPY HYDRAULICZNEJ		80427456	
22	UNLOADING AUGER DRIVE	NAPĘD ŚLIMAKA WYSYPU ZBIORNIKA		84991836	

X - not in standard offer / brak w standardowej ofercie

ITEM / POZYCJA	APPLICATION	OPIS	QUANTITY OF V-BELTS IN DRIVE / ILOŚĆ PASÓW W ZESPOLE	OE PART NUMBER / NUMER KATALOGOWY	COMMENT / UWAGI
2	STRAW ELEVATOR DRIVE	NAPĘD ROZTRZĄSACZA SŁOMY		84981586	
2	STRAW ELEVATOR DRIVE	NAPĘD ROZTRZĄSACZA SŁOMY		84991234	
3				89817374	
3				84446792	
4	DRUM VARIATOR	NAPĘD BĘBNA WARIATOR		84035748	X
5	GRAIN TANK DISCHARGE	NAPĘD ZESPOŁU WYSYPU ZBIORNIKA ZBOŻOWEGO		84462590	
6	MAIN DRIVE	NAPĘD MŁOCARNI		84993120	
7	HYDROSTATIC PUMP DRIVE	HYDROSTATYCZNY NAPĘD POMPY WODNEJ		80427456	
8	HYDROSTATIC PUMP DRIVE	HYDROSTATYCZNY NAPĘD POMPY WODNEJ		84607713	
9	STRAW WALKER DRIVE	NAPĘD WYTRZĄSACZY, KOSZA SITOWEGO		87521887	
10				80422731	
13	CHOPPER DRIVE	NAPĘD SIECZKARNI		84075955	
14	CHOPPER DRIVE	NAPĘD SIECZKARNI		84076421	
15	DRIVE, ROTARY SCREEN AND FAN	KOSZ CHŁODNICY I WENTYLATOR		84061463	
16	DRIVE, ROTARY SCREEN AND FAN	KOSZ CHŁODNICY I WENTYLATOR		87374615	
17	ALTERNATOR DRIVE	NAPĘD POMPY HYDRAULICZNEJ		84817626	X
21				84073933	
22	CHOPPER DRIVE	NAPĘD SIECZKARNI		84075955	
23	CHOPPER DRIVE	NAPĘD SIECZKARNI		84076421	

X - not in standard offer / brak w standardowej ofercie

ITEM / POZYCJA	APPLICATION	OPIS	QUANTITY OF V-BELTS IN DRIVE / ILOŚĆ PASÓW W ZESPOLE	OE PART NUMBER / NUMER KATALOGOWY	COMMENT / UWAGI
2	STRAW ELEVATOR DRIVE	NAPĘD ROZTRZĄSACZA SŁOMY		84981586	
2	STRAW ELEVATOR DRIVE	NAPĘD ROZTRZĄSACZA SŁOMY		84991234	
3				89817374	
3				84446792	
4	DRUM VARIATOR	NAPĘD BĘBNA WARIATOR		84035748	X
5	GRAIN TANK DISCHARGE	NAPĘD ZESPOŁU WYSYPU ZBIORNIKA ZBOŻOWEGO		84462590	
6	MAIN DRIVE	NAPĘD MŁOCARNI		84993120	
7	HYDROSTATIC PUMP DRIVE	HYDROSTATYCZNY NAPĘD POMPY WODNEJ		80427456	
8	HYDROSTATIC PUMP DRIVE	HYDROSTATYCZNY NAPĘD POMPY WODNEJ		84607712	
9	STRAW WALKER DRIVE	NAPĘD WYTRZĄSACZY, KOSZA SITOWEGO		87521887	
10				80422731	
13	CHOPPER DRIVE	NAPĘD SIECZKARNI		84075955	
14	CHOPPER DRIVE	NAPĘD SIECZKARNI		84076421	
15	DRIVE, ROTARY SCREEN AND FAN	KOSZ CHŁODNICY I WENTYLATOR		84061465	
16	DRIVE, ROTARY SCREEN AND FAN	KOSZ CHŁODNICY I WENTYLATOR		84989965	
17	ALTERNATOR DRIVE	NAPĘD POMPY HYDRAULICZNEJ		80747177	
18	DRUM DRIVE	NAPĘD BĘBNA MŁOČĄCEGO		84072772	
18	DRUM DRIVE, ROTATION SPEED SLOW	NAPĘD BĘBNA MŁOČĄCEGO, DUŻA PRĘDKOŚĆ		84072815	
19				84817635	
20				84073979	
				84073933	
	CHOPPER DRIVE	NAPĘD SIECZKARNI		84075955	
	CHOPPER DRIVE	NAPĘD SIECZKARNI		84076421	

X - not in standard offer / brak w standardowej ofercie

ITEM / POZYCJA	APPLICATION	OPIS	QUANTITY OF V-BELTS IN DRIVE / ILOŚĆ PASÓW W ZESPOLE	OE PART NUMBER / NUMER KATALOGOWY	COMMENT / UWAGI
2	STRAW ELEVATOR DRIVE	NAPĘD ROZTRZĄSACZA SŁOMY		84981586	
2	STRAW ELEVATOR DRIVE	NAPĘD ROZTRZĄSACZA SŁOMY		84991234	
3				89817374	
3				84446792	
4	DRUM VARIATOR	NAPĘD BĘBNA WARIATOR		84035748	X
5	GRAIN TANK DISCHARGE	NAPĘD ZESPOŁU WYSYPU ZBIORNIKA ZBOŻOWEGO		84462590	
6	MAIN DRIVE	NAPĘD MŁOCARNI		84993120	
7	HYDROSTATIC PUMP DRIVE	HYDROSTATYCZNY NAPĘD POMPY WODNEJ		80427456	
8	HYDROSTATIC PUMP DRIVE	HYDROSTATYCZNY NAPĘD POMPY WODNEJ		84607712	
9	STRAW WALKER DRIVE	NAPĘD WYTRZĄSACZY, KOSZA SITOWEGO		87521887	
10				80422731	
13	CHOPPER DRIVE	NAPĘD SIECZKARNI		84075955	
14	CHOPPER DRIVE	NAPĘD SIECZKARNI		84076421	
15	DRIVE, ROTARY SCREEN AND FAN	KOSZ CHŁODNICY I WENTYLATOR		84061463	
16	DRIVE, ROTARY SCREEN AND FAN	KOSZ CHŁODNICY I WENTYLATOR		87374615	
17	ALTERNATOR DRIVE	NAPĘD POMPY HYDRAULICZNEJ		84817626	X
18	DRUM DRIVE	NAPĘD BĘBNA MŁOČĄCEGO		84072772	
18	DRUM DRIVE, ROTATION SPEED SLOW	NAPĘD BĘBNA MŁOČĄCEGO, DUŻA PRĘDKOŚĆ		84072815	
19				84817635	
20				84073979	
21				84073933	
22	CHOPPER DRIVE	NAPĘD SIECZKARNI		84075955	
23	CHOPPER DRIVE	NAPĘD SIECZKARNI		84076421	

X - not in standard offer / brak w standardowej ofercie



ITEM / POZYCJA	APPLICATION	OPIS	QUANTITY OF V-BELTS IN DRIVE / ILOŚĆ PASÓW W ZESPOLE	OE PART NUMBER / NUMER KATALOGOWY	COMMENT / UWAGI
2	STRAW ELEVATOR DRIVE	NAPĘD ROZTRZĄSACZA SŁOMY		84981586	
2	STRAW ELEVATOR DRIVE	NAPĘD ROZTRZĄSACZA SŁOMY		84991234	
3				89817374	
3				84446792	
4	DRUM VARIATOR	NAPĘD BĘBNA WARIATOR		84035748	X
5	GRAIN TANK DISCHARGE	NAPĘD ZESPOŁU WYSYPU ZBIORNIKA ZBOŻOWEGO		84462590	
6	MAIN DRIVE	NAPĘD MŁOCARNI		84993120	
7	HYDROSTATIC PUMP DRIVE	HYDROSTATYCZNY NAPĘD POMPY WODNEJ		80427456	
8	HYDROSTATIC PUMP DRIVE	HYDROSTATYCZNY NAPĘD POMPY WODNEJ		84607712	
9	STRAW WALKER DRIVE	NAPĘD WYTRZĄSACZY, KOSZA SITOWEGO		87521887	
10				80422731	
13	CHOPPER DRIVE	NAPĘD SIECZKARNI		84075955	
14	CHOPPER DRIVE	NAPĘD SIECZKARNI		84076421	
15	DRIVE, ROTARY SCREEN AND FAN	KOSZ CHŁODNICY I WENTYLATOR		84061463	
16	DRIVE, ROTARY SCREEN AND FAN	KOSZ CHŁODNICY I WENTYLATOR		87374615	
17	ALTERNATOR DRIVE	NAPĘD POMPY HYDRAULICZNEJ		84817626	X
18	DRUM DRIVE	NAPĘD BĘBNA MŁOČĄCEGO		84072772	
18	DRUM DRIVE, ROTATION SPEED SLOW	NAPĘD BĘBNA MŁOČĄCEGO, DUŻA PRĘDKOŚĆ		84072815	
19				84817635	
20				84073979	
21				84073933	
22	CHOPPER DRIVE	NAPĘD SIECZKARNI		84075955	
23	CHOPPER DRIVE	NAPĘD SIECZKARNI		84076421	

X - not in standard offer / brak w standardowej ofercie

ITEM / POZYCJA	APPLICATION	OPIS	QUANTITY OF V-BELTS IN DRIVE / ILOŚĆ PASÓW W ZESPOLE	OE PART NUMBER / NUMER KATALOGOWY	COMMENT / UWAGI
1				84045256	
3	UNLOADING AUGER	NAPĘD ŚLIMAKA WYSYPU ZBIORNIKA		84061293	
4	MAIN DRIVE	NAPĘD MŁOCARNI		84057914	
5	CHOPPER DRIVE	NAPĘD SIECZKARNI		84075345	
6	CHOPPER DRIVE	NAPĘD SIECZKARNI		84075635	
7				84057392	
8				84432785	
9	STRAW WALKER DRIVE	NAPĘD WYTRZĄSACZY, KOSZA SITOWEGO		84057482	
10				84057874	
11				84435035	
12	DRUM VARIATOR	NAPĘD BĘBNA WARIATOR		84035748	X
13				84056913	
14	DRUM DRIVE	NAPĘD BĘBNA MŁOČĄCEGO		84061615	
15	HEADER	HEADER		84061279	
16	DRIVE, ROTARY SCREEN AND FAN, FOR HIGH SPEED ONLY	KOSZ CHŁODNICY I WENTYLATOR, FOR HIGH SPEED ONLY		84057085	
18	BLOW-OFF SYSTEM, AIR COMPRESSOR	KOMPRESOR		84061465	
19	DRIVE : ALTERNATOR, WATERPUMP AND AIR	ALTERNATOR, POMPA WODNA, KOMPRESOR		84057710	X
20	GRAIN ELEVATOR , DRIVE	NAPĘD PRZENOŚNIKA ZIARNA		84073457	
21				84057393	
21				84457079	
24				84058339	
25				84817627	
25				80919739	X
22-23				84334995	

X - not in standard offer / brak w standardowej ofercie

ITEM / POZYCJA	APPLICATION	OPIS	QUANTITY OF V-BELTS IN DRIVE / ILOŚĆ PASÓW W ZESPOLE	OE PART NUMBER / NUMER KATALOGOWY	COMMENT / UWAGI
2	STRAW ELEVATOR DRIVE	NAPĘD ROZTRZĄSACZA SŁOMY		84981586	
2	STRAW ELEVATOR DRIVE	NAPĘD ROZTRZĄSACZA SŁOMY		84991234	
3				89817374	
3				84446792	
4	DRUM VARIATOR	NAPĘD BĘBNA WARIATOR		84035748	X
5	GRAIN TANK DISCHARGE	NAPĘD ZESPOŁU WYSYPU ZBIORNIKA ZBOŻOWEGO		84462590	
6	MAIN DRIVE	NAPĘD MŁOCARNI		84993120	
7	HYDROSTATIC PUMP DRIVE	HYDROSTATYCZNY NAPĘD POMPY WODNEJ		80427456	
8	HYDROSTATIC PUMP DRIVE	HYDROSTATYCZNY NAPĘD POMPY WODNEJ		84607712	
9	STRAW WALKER DRIVE	NAPĘD WYTRZĄSACZY, KOSZA SITOWEGO		87521887	
10				80422731	
13	CHOPPER DRIVE	NAPĘD SIECZKARNI		84075955	
14	CHOPPER DRIVE	NAPĘD SIECZKARNI		84076421	
15	DRIVE, ROTARY SCREEN AND FAN	KOSZ CHŁODNICY I WENTYLATOR		84061463	
16	DRIVE, ROTARY SCREEN AND FAN	KOSZ CHŁODNICY I WENTYLATOR		87374615	
17	ALTERNATOR DRIVE	NAPĘD POMPY HYDRAULICZNEJ		84817626	X
18	DRUM DRIVE	NAPĘD BĘBNA MŁOČĄCEGO		84072772	
18	DRUM DRIVE, ROTATION SPEED SLOW	NAPĘD BĘBNA MŁOČĄCEGO, DUŻA PRĘDKOŚĆ		84072815	
19				84817635	
20				84073979	
21				84073933	
22	CHOPPER DRIVE	NAPĘD SIECZKARNI		84075955	
23	CHOPPER DRIVE	NAPĘD SIECZKARNI		84076421	

X - not in standard offer / brak w standardowej ofercie

ITEM / POZYCJA	APPLICATION	OPIS	QUANTITY OF V-BELTS IN DRIVE / ILOŚĆ PASÓW W ZESPOLE	OE PART NUMBER / NUMER KATALOGOWY	COMMENT / UWAGI
1				84045256	
3	UNLOADING AUGER	NAPĘD ŚLIMAKA WYSYPU ZBIORNIKA		84061293	
4	MAIN DRIVE	NAPĘD MŁOCARNI		84057914	
5	CHOPPER DRIVE	NAPĘD SIECZKARNI		84075345	
6	CHOPPER DRIVE	NAPĘD SIECZKARNI		84075635	
7				84057392	
8				84432785	
9	STRAW WALKER DRIVE	NAPĘD WYTRZĄSACZY, KOSZA SITOWEGO		84057482	
10				84057874	
11				84435035	
12	DRUM VARIATOR	NAPĘD BĘBNA WARIATOR		84035748	X
13				84056913	
14	DRUM DRIVE	NAPĘD BĘBNA MŁOČĄCEGO		84061615	
15	HEADER	HEADER		84061279	
16	DRIVE, ROTARY SCREEN AND FAN	KOSZ CHŁODNICY I WENTYLATOR		84057085	
18	BLOW-OFF SYSTEM, AIR COMPRESSOR	KOMPRESOR		84061465	
19	DRIVE : ALTERNATOR, WATERPUMP AND AIR	ALTERNATOR, POMPA WODNA, KOMPRESOR		84057710	X
20	GRAIN ELEVATOR , DRIVE	NAPĘD PRZENOŚNIKA ZIARNA		84073457	
21				84057393	
21				84457079	
24				84058339	
25				84817627	
25				80919739	X
22-23				84334995	

X - not in standard offer / brak w standardowej ofercie

ITEM / POZYCJA	APPLICATION	OPIS	QUANTITY OF V-BELTS IN DRIVE / ILOŚĆ PASÓW W ZESPOLE	OE PART NUMBER / NUMER KATALOGOWY	COMMENT / UWAGI
1				84045256	
3	UNLOADING AUGER	NAPĘD ŚLIMAKA WYSYPU ZBIORNIKA		84061293	
4	MAIN DRIVE	NAPĘD MŁOCARNI		84057914	
5	CHOPPER DRIVE	NAPĘD SIECZKARNI		84075345	
6	CHOPPER DRIVE	NAPĘD SIECZKARNI		84075635	
7				84057392	
8				84432785	
9	STRAW WALKER DRIVE	NAPĘD WYTRZĄSACZY, KOSZA SITOWEGO		84057482	
10				84057874	
11				84435035	
12	DRUM VARIATOR	NAPĘD BĘBNA WARIATOR		84035748	X
13				84056913	
14	DRUM DRIVE	NAPĘD BĘBNA MŁOCĄCEGO		84061615	
15	HEADER, DRIVE 3HB	HEADER		84061279	
16	DRIVE, ROTARY SCREEN AND FAN	KOSZ CHŁODNICY I WENTYLATOR		84057085	
18	BLOW-OFF SYSTEM, AIR COMPRESSOR	KOMPRESOR		84061465	
19	DRIVE : ALTERNATOR, WATERPUMP AND AIR	ALTERNATOR, POMPA WODNA, KOMPRESOR		84057710	X
20	GRAIN ELEVATOR , DRIVE	NAPĘD PRZENOŚNIKA ZIARNA		84073457	
21				84057393	
21				84457079	
24				84058339	
25				84817627	
25				80919739	X
22-23	DRIVE STRAW ELEVATOR	NAPĘD ROZTRZĄSACZA SŁOMY		84334995	

X - not in standard offer / brak w standardowej ofercie

ITEM / POZYCJA	APPLICATION	OPIS	QUANTITY OF V-BELTS IN DRIVE / ILOŚĆ PASÓW W ZESPOLE	OE PART NUMBER / NUMER KATALOGOWY	COMMENT / UWAGI
1				84045256	
3	UNLOADING AUGER	NAPĘD ŚLIMAKA WYSYPU ZBIORNIKA		84061293	
4	MAIN DRIVE	NAPĘD MŁOCARNI		84057914	
5	CHOPPER DRIVE	NAPĘD SIECZKARNI		84075345	
6	CHOPPER DRIVE	NAPĘD SIECZKARNI		87339998	
7				84057392	
8				84432785	
9	STRAW WALKER DRIVE	NAPĘD WYTRZĄSACZY, KOSZA SITOWEGO		84057482	
10				84057874	
11				84435035	
12	DRUM VARIATOR	NAPĘD BĘBNA WARIATOR		84035748	X
13				84056913	
14	DRUM DRIVE WITHOUT REDUCTOR	NAPĘD BĘBNA MŁOCĄCEGO BEZ REDUKTORA		84061615	
15	HEADER, DRIVE	HEADER		84061279	
16	DRIVE, ROTARY SCREEN AND FAN	KOSZ CHŁODNICY I WENTYLATOR		84057085	
18	DRIVE, ROTARY SCREEN AND FAN	KOSZ CHŁODNICY I WENTYLATOR		84061465	
19	DRIVE : ALTERNATOR, WATERPUMP AND AIR	ALTERNATOR, POMPA WODNA, KOMPRESOR		84057710	X
20	GRAIN ELEVATOR , DRIVE	NAPĘD PRZENOŚNIKA ZIARNA		84073457	
21				84457079	
24				84058339	
25				84817627	
25				80919739	X
22-23	DRIVE STRAW ELEVATOR	NAPĘD ROZTRZĄSACZA SŁOMY		84334995	

X - not in standard offer / brak w standardowej ofercie

ITEM / POZYCJA	APPLICATION	OPIS	QUANTITY OF V-BELTS IN DRIVE / ILOŚĆ PASÓW W ZESPOLE	OE PART NUMBER / NUMER KATALOGOWY	COMMENT / UWAGI
1				84045256	
3	UNLOADING AUGER	NAPĘD ŚLIMAKA WYSYPU ZBIORNIKA		84061293	
4	MAIN DRIVE	NAPĘD MŁOCARNI		84057914	
5	CHOPPER DRIVE	NAPĘD SIECZKARNI		84075345	
6	CHOPPER DRIVE	NAPĘD SIECZKARNI		84075635	
7				84057392	
8				84432785	
9	STRAW WALKER DRIVE	NAPĘD WYTRZĄSACZY, KOSZA SITOWEGO		84057482	
10				84057874	
11				84435035	
12	DRUM VARIATOR	NAPĘD BĘBNA WARIATOR		84035748	X
13				84056913	
14	DRUM DRIVE	NAPĘD BĘBNA MŁOCĄCEGO		84061615	
15	HEADER, DRIVE 3HB	HEADER 3HB		84061279	
16	DRIVE, ROTARY SCREEN AND FAN	KOSZ CHŁODNICY I WENTYLATOR		84057085	
18	BLOW-OFF SYSTEM, AIR COMPRESSOR	KOMPRESOR		84061465	
19	DRIVE : ALTERNATOR, WATERPUMP AND AIR	ALTERNATOR, POMPA WODNA, KOMPRESOR		84057710	X
20	GRAIN ELEVATOR , DRIVE	NAPĘD PRZENOŚNIKA ZIARNA		84073457	
21				84057393	
21				84457079	
24				84058339	
25				84817627	
25				80919739	X
22-23	DRIVE STRAW ELEVATOR	NAPĘD ROZTRZĄSACZA SŁOMY		84334995	

X - not in standard offer / brak w standardowej ofercie

ITEM / POZYCJA	APPLICATION	OPIS	QUANTITY OF V-BELTS IN DRIVE / ILOŚĆ PASÓW W ZESPOLE	OE PART NUMBER / NUMER KATALOGOWY	COMMENT / UWAGI
1				84045256	
3	UNLOADING AUGER	NAPĘD ŚLIMAKA WYSYPU ZBIORNIKA		84061293	
4	MAIN DRIVE	NAPĘD MŁOCARNI		84057914	
5	CHOPPER DRIVE	NAPĘD SIECZKARNI		84075345	
6	CHOPPER DRIVE	NAPĘD SIECZKARNI		87339998	
7				84057392	
8				84432785	
9	STRAW WALKER DRIVE	NAPĘD WYTRZĄSACZY, KOSZA SITOWEGO		84057482	
10				84057874	
11				84435035	
12	DRUM VARIATOR	NAPĘD BĘBNA WARIATOR		84035748	X
13				84056913	
14	DRUM DRIVE WITHOUT REDUCTOR	NAPĘD BĘBNA MŁOCĄCEGO BEZ REDUKTORA		84061615	
15	HEADER, DRIVE	HEADER		84061279	
16	DRIVE, ROTARY SCREEN AND FAN	KOSZ CHŁODNICY I WENTYLATOR		84057085	
18	DRIVE, ROTARY SCREEN AND FAN	KOSZ CHŁODNICY I WENTYLATOR		84061465	
19	DRIVE : ALTERNATOR, WATERPUMP AND AIR	ALTERNATOR, POMPA WODNA, KOMPRESOR		84057710	X
20	GRAIN ELEVATOR , DRIVE	NAPĘD PRZENOŚNIKA ZIARNA		84073457	
21				84457079	
24				84058339	
25				84817627	
25				80919739	X
22-23	DRIVE STRAW ELEVATOR	NAPĘD ROZTRZĄSACZA SŁOMY		84334995	

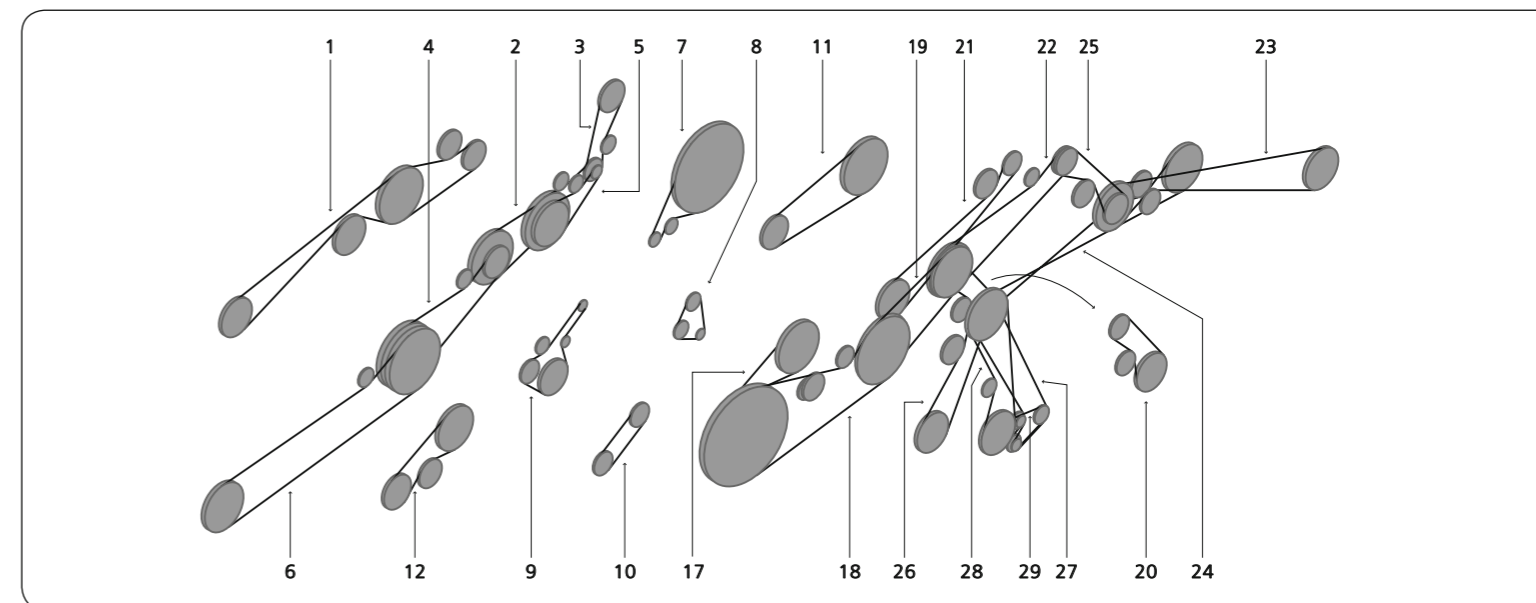
X - not in standard offer / brak w standardowej ofercie

ITEM / POZYCJA	APPLICATION	OPIS	QUANTITY OF V-BELTS IN DRIVE / ILOŚĆ PASÓW W ZESPOLE	OE PART NUMBER / NUMER KATALOGOWY	COMMENT / UWAGI
1				84045256	
3	UNLOADING AUGER	NAPĘD ŚLIMAKA WYSYPU ZBIORNIKA		84061293	
4	MAIN DRIVE	NAPĘD MŁOCARNI		84057914	
5	CHOPPER DRIVE	NAPĘD SIECZKARNI		84075345	
6	CHOPPER DRIVE	NAPĘD SIECZKARNI		87339998	
7				84057392	
8				84432785	
9	STRAW WALKER DRIVE	NAPĘD WYTRZĄSACZY, KOSZA SITOWEGO		84057482	
10				84057874	
11				84435035	
12	DRUM VARIATOR	NAPĘD BĘBNA WARIATOR		84035748	X
13				84056913	
14	DRUM DRIVE WITHOUT REDUCTOR	NAPĘD BĘBNA MŁÓCĄCEGO BEZ REDUKTORA		84061615	
15	HEADER, DRIVE	HEADER		84061279	
16	DRIVE, ROTARY SCREEN AND FAN	KOSZ CHŁODNICY I WENTYLATOR		84057085	
18	DRIVE, ROTARY SCREEN AND FAN	KOSZ CHŁODNICY I WENTYLATOR		84061465	
19	DRIVE : ALTERNATOR, WATERPUMP AND AIR	ALTERNATOR, POMPA WODNA, KOMPRESOR		84057710	X
20	GRAIN ELEVATOR , DRIVE	NAPĘD PRZENOŚNIKA ZIARNA		84073457	
21				84457079	
24				84058339	
25				84817627	
25				80919739	X
22-23	DRIVE STRAW ELEVATOR	NAPĘD ROZTRZĄSACZA SŁOMY		84334995	

X - not in standard offer / brak w standardowej ofercie

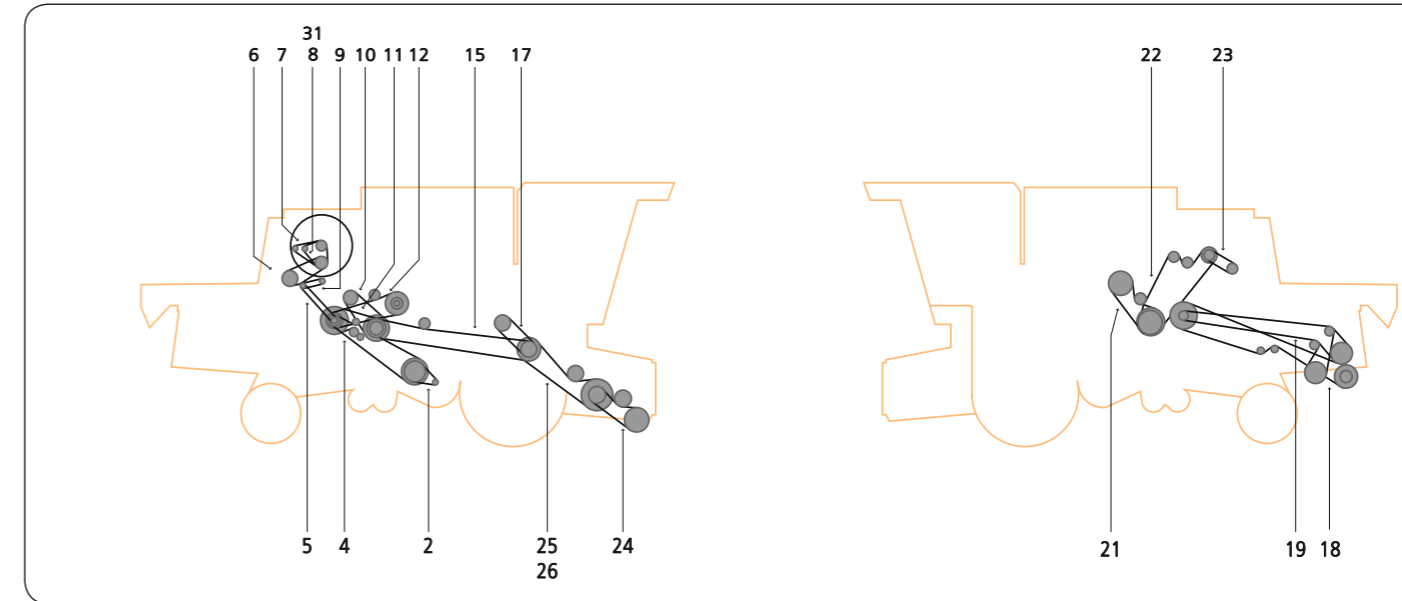
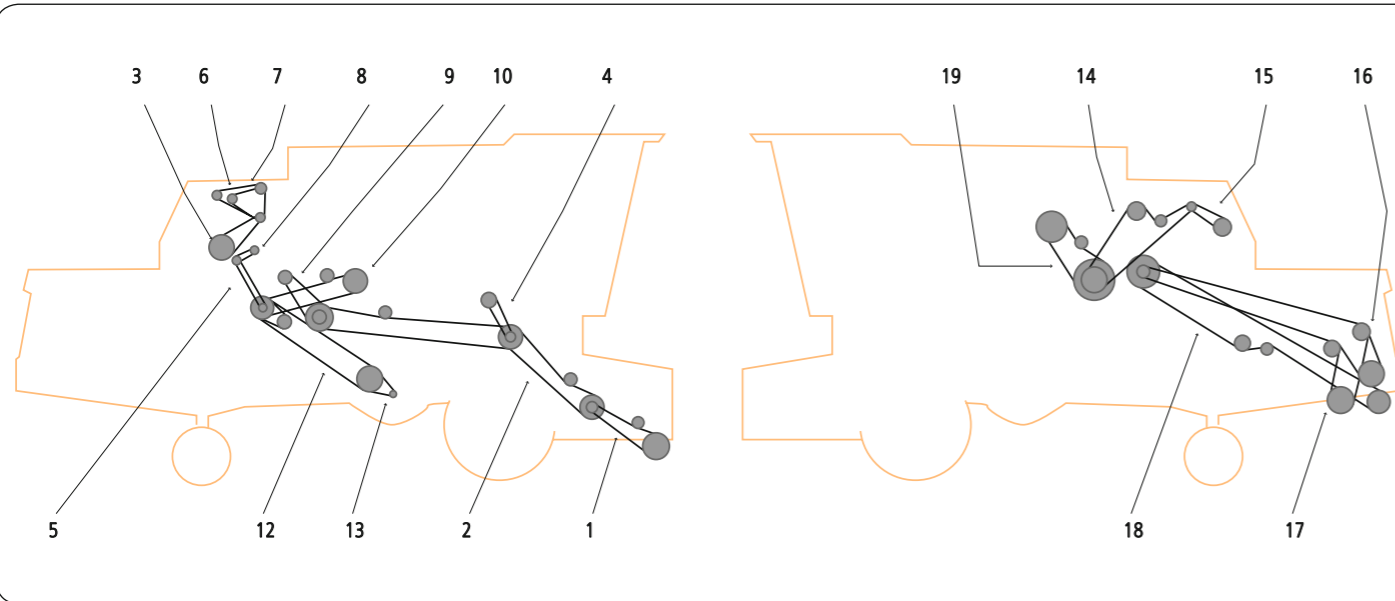
ITEM / POZYCJA	APPLICATION	OPIS	QUANTITY OF V-BELTS IN DRIVE / ILOŚĆ PASÓW W ZESPOLE	OE PART NUMBER / NUMER KATALOGOWY	COMMENT / UWAGI
1				84045256	
3	UNLOADING AUGER	NAPĘD ŚLIMAKA WYSYPU ZBIORNIKA		84061293	
4	MAIN DRIVE	NAPĘD MŁOCARNI		84057914	
5	CHOPPER DRIVE	NAPĘD SIECZKARNI		84075345	
6	CHOPPER DRIVE	NAPĘD SIECZKARNI		87339998	
7				84057392	
8				84432785	
9	STRAW WALKER DRIVE	NAPĘD WYTRZĄSACZY, KOSZA SITOWEGO		84057482	
10				84057874	
11				84435035	
12	DRUM VARIATOR	NAPĘD BĘBNA WARIATOR		84035748	X
13				84056913	
14	DRUM DRIVE WITHOUT REDUCTOR	NAPĘD BĘBNA MŁÓCĄCEGO BEZ REDUKTORA		84061615	
15	HEADER, DRIVE	HEADER		84061279	
16	DRIVE, ROTARY SCREEN AND FAN	KOSZ CHŁODNICY I WENTYLATOR		84057085	
18	DRIVE, ROTARY SCREEN AND FAN	KOSZ CHŁODNICY I WENTYLATOR		84061465	
19	DRIVE : ALTERNATOR, WATERPUMP AND AIR	ALTERNATOR, POMPA WODNA, KOMPRESOR		84057710	X
20	GRAIN ELEVATOR , DRIVE	NAPĘD PRZENOŚNIKA ZIARNA		84073457	
21				84457079	
24				84058339	
25				84817627	
25				80919739	X
22-23	DRIVE STRAW ELEVATOR	NAPĘD ROZTRZĄSACZA SŁOMY		84334995	

X - not in standard offer / brak w standardowej ofercie



ITEM / POZYCJA	APPLICATION	OPIS	QUANTITY OF V-BELTS IN DRIVE / ILOŚĆ PASÓW W ZESPOLE	OE PART NUMBER / NUMER KATALOGOWY	COMMENT / UWAGI
1	FEEDER DRIVE	NAPĘD PRZENOŚNIKA POCHYLEGO	1	84334995	
2	STRAW ELEVATOR DRIVE	NAPĘD PRZENOŚNIKA POCHYLEGO	1	84061279	
3	GRAIN ELEVATOR DRIVE	NAPĘD PRZENOŚNIKA ZIARNOWEGO	1	84073457	
4	FEEDER INTERMEDIATE DRIVE	NAPĘD POŚREDNI PRZENOŚNIKA POCHYLEGO	1	84434295	
5	FAN	WENTYLATOR	1	84057393	
5	FAN	WENTYLATOR	1	84457079	
6	FEEDER DRIVE	NAPĘD PRZENOŚNIKA POCHYLEGO	1	84434260	
7	ROTARY SCREEN	NAPĘD KOSZA CHŁODNICY	1	84057085	
8	FAN INTERMEDIATE DRIVE	NAPĘD POŚREDNI WENTYLATORA	1	89835816	
8	FAN INTERMEDIATE DRIVE	NAPĘD POŚREDNI WENTYLATORA	1	87337385	X
	FOR HIGH SPEED ONLY	DO DUŻEJ PRĘDKOŚCI			
9	CRANKSHAFT - AIRCONDITIONER COMPRESSOR - ALTERNATOR - WATERPUMP	NAPĘD NOŻY - KOMPRESOR KLIMATYZACJI - ALTERNATOR - POMPA WODNA	1	84057710	X
	FOR CX720, CX740, CX760, CX780, CX820 AND CX840 ONLY	DO CX720, CX740, CX760, CX780, CX820 I CX840			
9	CRANKSHAFT - AIRCONDITIONER COMPRESSOR - ALTERNATOR - WATERPUMP	NAPĘD NOŻY - KOMPRESOR KLIMATYZACJI - ALTERNATOR - POMPA WODNA	1	500371653	X
	FOR CX860 ONLY	DO CX860			
9	CRANKSHAFT - AIRCONDITIONER COMPRESSOR - ALTERNATOR - WATERPUMP	NAPĘD NOŻY - KOMPRESOR KLIMATYZACJI - ALTERNATOR - POMPA WODNA	1	500380059	X
	FOR CX880 ONLY	DO CX880			
10	ROTARY SCREEN AND FAN DRIVE	NAPĘD KOSZA CHŁODNICY I NAPĘD WENTYLATORA	1	84061465	
11	FAN VARIATOR DRIVE	NAPĘD WENTYLATORA WIALNI	1	84817627	
11	FAN VARIATOR DRIVE	NAPĘD WENTYLATORA WIALNI	1	919739	X
	FOR FIXED SHOE ONLY	TYLKO DO NAPĘDU ZESPOŁU KOSZA SITOWEGO			
12	TAILINGS ELEVATOR AND NAPĘD DOLNY ŚLIMAKA DRIVE	NAPĘD PRZENOŚNIKA KŁOSOWEGO I NAPĘD DOLNY ŚLIMAKA	1	84058339	
17	BEATER DRIVE	NAPĘD ZESPOŁU MŁOCARNI	1	84045256	
18	DRUM DRIVE WITHOUT REDUCTOR	NAPĘD BĘBNA MŁÓCĄCEGO BEZ REDUKTORA	1	84061615	
19	DRUM VARIATOR	NAPĘD BĘBNA MŁÓCĄCEGO	1	84035748	X
20	INTERMEDIATE SHAFT FOR CLEANING DRIVE	NAPĘD POŚREDNI WIALNI CZYSZCZĄCEJ	1	84057392	
21	UNLOADER AUGER DRIVE	NAPĘD ŚLIMAKA WYSYPU ZBIORNIKA	1	84061293	
22	MAIN DRIVE	NAPĘD GŁÓWNY	1	84057914	
23	CHOPPER DRIVE	NAPĘD SIECZKARNI	1	84075635	
24	STRAW WALKER DRIVE	NAPĘD WYTRZĄSACZY	1	84057482	
25	CHOPPER DRIVE	NAPĘD SIECZKARNI	1	84175581	
26	SHAKER SHOE DRIVE	NAPĘD KOSZA SITOWEGO	1	84432785	
	FOR FIXED SHOE ONLY	TYLKO DO NAPĘDU ZESPOŁU KOSZA SITOWEGO			
27	SHAKER SHOE AND TAILINGS ELEVATOR DRIVE	NAPĘD ZESPOŁU KOSZA SITOWEGO I NAPĘD ELEWATORA KŁOSOWEGO	1	84057874	
28	TAILINGS ELEVATOR DRIVE	NAPĘD ELEWATORA KŁOSOWEGO	1	84435035	
	FOR FIXED SHOE ONLY	TYLKO DO NAPĘDU ZESPOŁU KOSZA SITOWEGO			
29	SHAKER SHOE DRIVE	NAPĘD KOSZA SITOWEGO	1	84056913	

X - not in standard offer / brak w standardowej ofercie



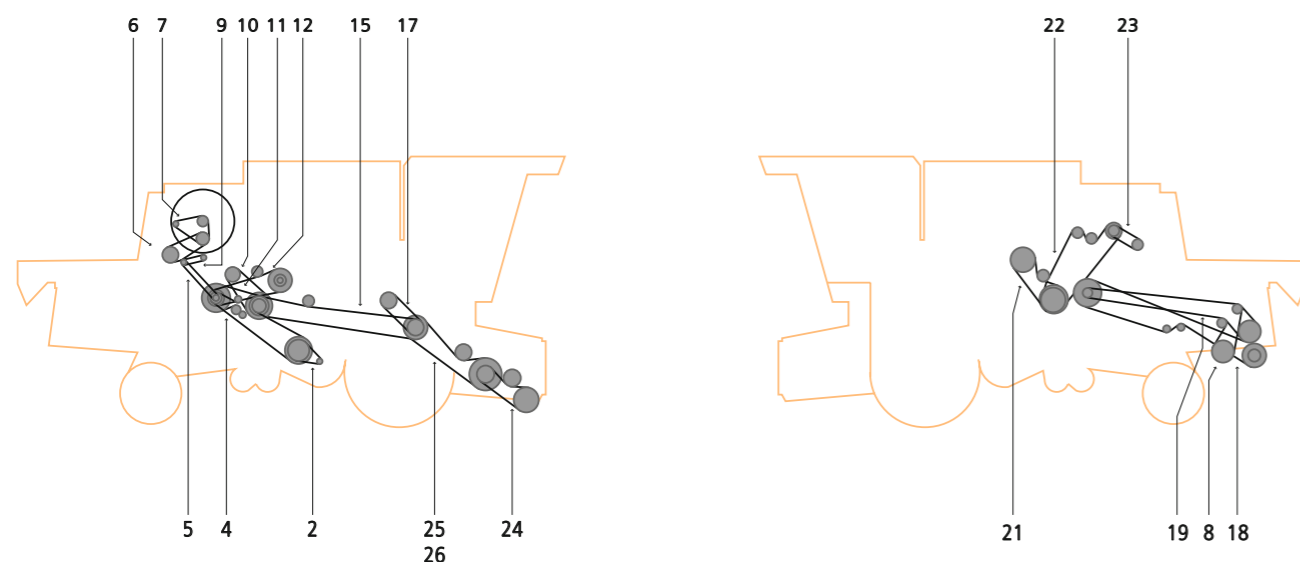
ITEM / POZYCJA	APPLICATION	OPIS	QUANTITY OF V-BELTS IN DRIVE / ILOŚĆ PASÓW W ZESPOLE	OE PART NUMBER / NUMER KATALOGOWY	COMMENT / UWAGI
1	CLEANING FAN DRIVE	NAPĘD WIALNI CZYSZCZĄCEJ	1	80284521	X
2	SHAKER SHOE DRIVE	NAPĘD KOSZA SITOWEGO	1	80717699	
3	FRONT STRAW CHOPPER	NAPĘD ROZDRABNIACZA SŁOMY	1	80619748	
4	STRAW CHOPPER REAR	SIECZKARNIA	1	80614040	
5	ROTARY SCREEN - LOWER	NAPĘD DOLNY KOSZA CHŁODNICY	1	80612305	
6	HYDRAULIC PUMP DRIVE	NAPĘD POMPY HYDRAULICZNEJ	1	80248332	
6	HYDRAULIC PUMP DRIVE	NAPĘD POMPY HYDRAULICZNEJ	1	80576772	
7	ALTERNATOR AND WATER PUMP DRIVE	NAPĘD ALTERNATORA, POMPY WODNEJ	1	80716253	
8	ALTERNATOR AND WATER PUMP DRIVE	NAPĘD ALTERNATORA, POMPY WODNEJ	1	80500594	X
9	ENGINE FAN	NAPĘD WENTYLATORA	1	80719213	X
9	ENGINE FAN	NAPĘD WENTYLATORA	1	80719214	X
10	ROTARY SCREEN - UPPER	NAPĘD GÓRNY KOSZA CHŁODNICY	1	80716254	X
11	ROTOR DRIVE	NAPĘD ROTORA	1	80717700	X
12	DISCHARGE BEATER DRIVE	NAPĘD WYLADUNKU KOMORY	1	80621104	
13	CLEAN GRAIN ELEVATOR DRIVE	NAPĘD PRZENOŚNIKA ZIARNA	1	80703747	
14	HEADER DRIVE	NAPĘD HEDERA	1	80246980	
15	STRAW SPREADER DRIVE	NAPĘD ROZTRZĄSACZA SŁOMY	1	80230143	
16	STRAW CHOPPER BEATER DRIVE	NAPĘD SIECZKARNI	1	80246727	
17	STANDARD TRACTION DRIVE - UPPER	NAPĘD JEZDNY GÓRNY	1	80261000	X
18	HYDROSTATIC DRIVE UPPER	NAPĘD HYDROSTATYCZNY GÓRNY	1	80716416	
19	STANDARD TRACTION DRIVE - LOWER	NAPĘD JEZDNY DOLNY	1	80261001	
20	HYDROSTATIC DRIVE LOWER	NAPĘD HYDROSTATYCZNY DOLNY	1	80716414	
21	UNLOADING AUGER DRIVE	NAPĘD ŚLIMAKA WYSYPU ZBIORNIKA	1	80247782	
22	MAIN SHAFT DRIVE	NAPĘD MŁOCARNI	1	80246978	
22	MAIN SHAFT DRIVE	NAPĘD MŁOCARNI	1	80576771	
23	AIR CONDITIONING COMPRESSOR	NAPĘD KOMPRESORA KLIMATYZACJI	1	80264557	
23	AIR CONDITIONING COMPRESSOR	NAPĘD KOMPRESORA KLIMATYZACJI	1	80576776	
24	HYDROSTATIC CHANGE PUMP	NAPĘD POMPY HYDROSTATYCZNEJ	1	80259477	

X - not in standard offer / brak w standardowej ofercie

ITEM / POZYCJA	APPLICATION	OPIS	QUANTITY OF V-BELTS IN DRIVE / ILOŚĆ PASÓW W ZESPOLE	OE PART NUMBER / NUMER KATALOGOWY	COMMENT / UWAGI
2	CLEANING FAN VARI-DRIVE	NAPĘD WIALNI CZYSZCZĄCEJ	1	792809	
2	"CLEANING FAN VARI-DRIVE, SLOW DOWN KIT"	"NAPĘD WIALNI CZYSZCZĄCEJ, SLOW DOWN KIT"	1	624398	X
4			1	785415	
5	ROTARY SCREEN DRIVE	NAPĘD KOSZA CHŁODNICY	1	612305	
6	HYDRAULIC PUMP	POMPA HYDRAULICZNA	1	855676	X
7	ALTERNATOR	ALTERNATOR	2	577240	X
7	ALTERNATOR	ALTERNATOR	2	626657	X
8	ENGINE FAN, HYDRAULIC PUMP	WENTYLATOR SILNIKA, POMPA HYDRAULICZNA	2	855676	X
9	ROTARY SCREEN	NAPĘD KOSZA CHŁODNICY	1	716254	X
10			1	86518570	X
10	ROTOR VARI-DRIVE, HIGH SPEED 2.00	ROTOR, DUŻA PRĘDKOŚĆ 2.00	1	86518571	X
11	DISCHARGE BEATER	NAPĘD WYLADUNKU KOMORY	1	86520043	X
12	CLEAN GRAIN ELEVATOR DRIVE	NAPĘD PRZENOŚNIKA ZIARNOWEGO	1	703747	
15	HEADER DRIVE	NAPĘD HEDERA	1	682008	
17	HYDRAULIC REEL DRIVE PUMP	HYDRAULICZNA POMPA NAPĘDU MOTOWIDEŁ	1	9609607	
18	STRAW CHOPPER DRIVE	NAPĘD ROZDRABNIACZA SŁOMY	1	86547070	
19	STRAW SPREADER DRIVE	NAPĘD ROZTRZĄSACZA SŁOMY	1	230143	
21	UNLOADING AUGER DRIVE	NAPĘD ŚLIMAKA WYSYPU ZBIORNIKA	1	694982	X
22	MAIN SHAFT DRIVE, HYDROSTATIC, BSN 556480	NAPĘD MŁOCARNI, HYDROSTATYCZNY, BSN 556480	1	797978	
22	MAIN DRIVE, ASN 556481	NAPĘD GŁÓWNY, ASN 556481	1	9842665	
23	AIR CONDITIONER COMPRESSOR	NAPĘD KOMPRESORA KLIMATYZACJI	1	C9NN10C318B	X
24	FEEDER DRIVE	NAPĘD PRZENOŚNIKA POCHYLEGO	1	699268	
25	FIXED SPEED FEEDER	PRZENOŚNIK	1	621367	
26	VARI-SPEED FEEDER	PRZENOŚNIK	1	849514	X
31	WATER PUMP DRIVE	NAPĘD POMPY WODNEJ	1	592711	X

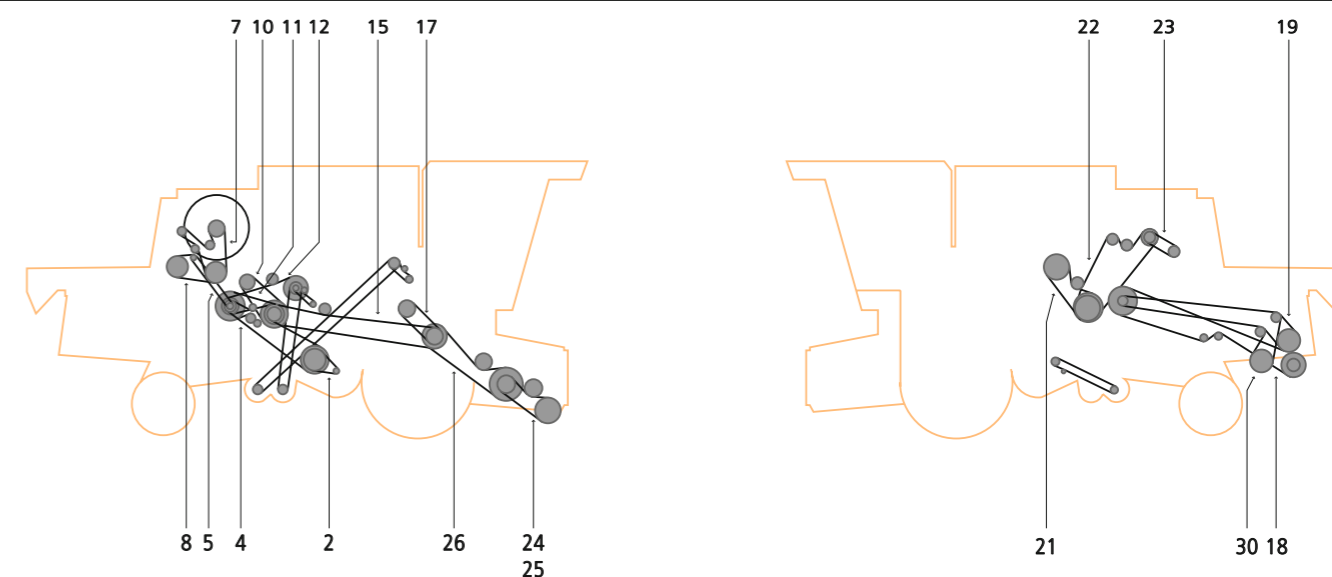
X - not in standard offer / brak w standardowej ofercie





ITEM / POZYCJA	APPLICATION	OPIS	QUANTITY OF V-BELTS IN DRIVE / ILOŚĆ PASÓW W ZESPOLE	OE PART NUMBER / NUMER KATALOGOWY	COMMENT / UWAGI
2	CLEANING FAN VARI-DRIVE	NAPĘD WIALNI CZYSZCZĄCEJ	1	792809	
2	"CLEANING FAN VARI-DRIVE, SLOW DOWN KIT"	"NAPĘD WIALNI CZYSZCZĄCEJ (SLOW DOWN KIT)"	1	624398	X
4			1	785415	
5	ROTARY SCREEN DRIVE, PRIMARY	NAPĘD KOSZA CHŁODNICY, GŁÓWNY	1	573957	X
6	HYDRAULIC PUMP	POMPA HYDRAULICZNA	1	773255	X
7			1	86513664	X
8			1	331019	X
9	ROTARY SCREEN, SECONDARY	NAPĘD KOSZA CHŁODNICY, SECONDARY	1	716254	X
10	ROTOR VARI-DRIVE, STANDARD	ROTOR STANDARD	1	86518570	X
10	ROTOR VARI-DRIVE, HIGH SPEED 2.00"	ROTOR, DUŻA PRĘDKOŚĆ 2.00"	1	86518571	X
11	DISCHARGE BEATER	NAPĘD WYŁADUNKU KOMORY	1	86520043	X
12	CLEAN GRAIN ELEVATOR DRIVE	NAPĘD PRZENOŚNIKA ZIARNOWEGO	1	703747	
15	HEADER DRIVE	NAPĘD HEDERA	1	682008	
17	HYDRAULIC REEL DRIVE PUMP	HYDRAULICZNA POMPA NAPĘDU MOTOWIDŁA	1	244025	
18	STRAW CHOPPER DRIVE	NAPĘD ROZDRABNICZA SŁOMY	1	86547070	
19	STRAW SPREADER DRIVE	NAPĘD ROZTRZĄSACZA SŁOMY	1	230143	
21	UNLOADING AUGER DRIVE	NAPĘD ŚLIMAKA WYSYPU ZBIORNIKA	1	694982	X
22	MAIN SHAFT DRIVE	NAPĘD MŁOCARNI	1	9842665	
23	AIR CONDITIONER COMPRESSOR	NAPĘD KOMPRESORA KLIMATYZACJI	1	9842660	X
24	FEEDER DRIVE	NAPĘD PRZENOŚNIKA POCHYLEGO	1	699268	
25	FIXED SPEED FEEDER	PRZENOŚNIK	1	9613963	
26	VARI-SPEED FEEDER	PRZENOŚNIK	1	849514	X

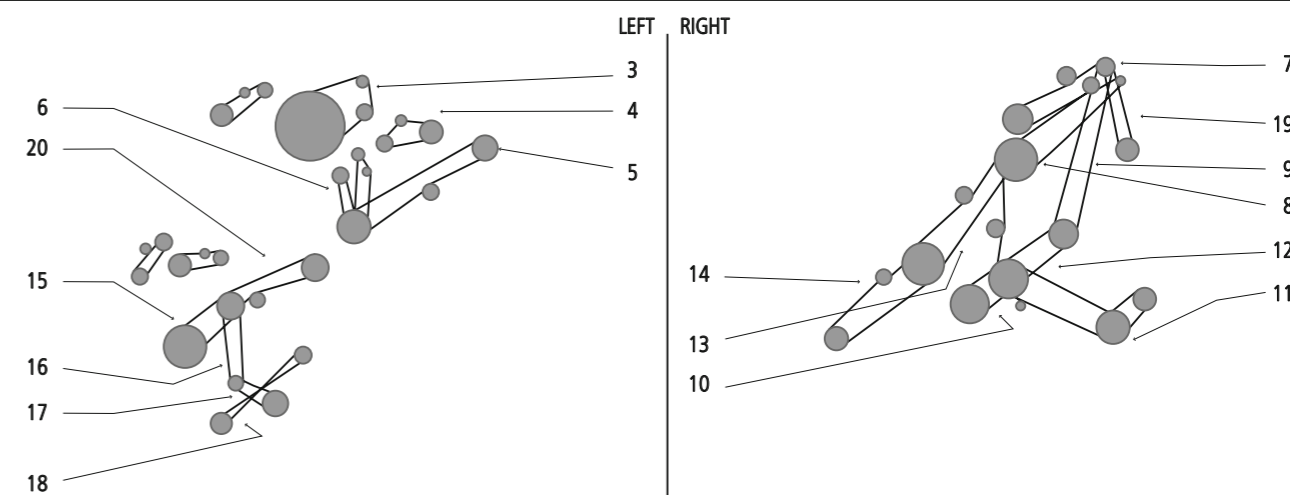
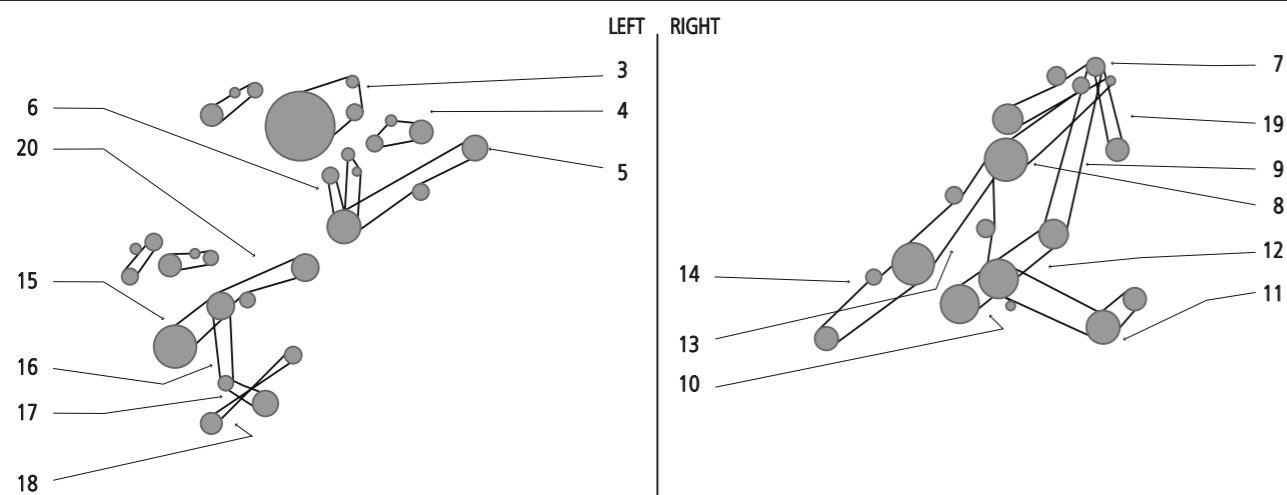
X - not in standard offer / brak w standardowej ofercie



ITEM / POZYCJA	APPLICATION	OPIS	QUANTITY OF V-BELTS IN DRIVE / ILOŚĆ PASÓW W ZESPOLE	OE PART NUMBER / NUMER KATALOGOWY	COMMENT / UWAGI
2	"CLEANING FAN VARI-DRIVE, INTERMEDIATE SPEED KIT"	NAPĘD WIALNI CZYSZCZĄCEJ (INTERMEDIATE SPEED KIT)	1	773300	X
2	CLEANING FAN VARI-DRIVE, SLOW-DOWN KIT	NAPĘD WIALNI CZYSZCZĄCEJ (SLOW-DOWN KIT)	1	710752	X
2	CLEANING FAN VARI-DRIVE, HIGH SPEED KIT	NAPĘD WIALNI CZYSZCZĄCEJ (HIGH SPEED KIT)	1	792811	X
4	SHAKER SHOE DRIVE	NAPĘD KOSZA SITOWEGO	1	774747	
5	ROTARY SCREEN DRIVE, PRIMARY	NAPĘD KOSZA CHŁODNICY, GŁÓWNY	1	859063	
7	ALTERNATOR	ALTERNATOR	1	86570558	X
8	HYDRAULIC PUMP	POMPA HYDRAULICZNA	1	773255	X
10	ROTOR VARI-DRIVE	ROTOR	1	86518568	X
10	ROTOR VARI-DRIVE	ROTOR	1	86610858	X
10	ROTOR VARI-DRIVE, HIGH SPEED TR89	ROTOR, DUŻA PRĘDKOŚĆ TR89	1	86518569	X
10	ROTOR VARI-DRIVE, HIGH SPEED TR99	ROTOR, DUŻA PRĘDKOŚĆ TR99	1	86610859	X
11	DISCHARGE BEATER	NAPĘD WYŁADUNKU KOMORY	1	86615142	
12	CLEAN GRAIN ELEVATOR DRIVE	NAPĘD PRZENOŚNIKA ZIARNOWEGO	1	9604713	
15	HEADER DRIVE	NAPĘD HEDERA	1	86503087	X
15	HEADER DRIVE	NAPĘD HEDERA	1	86571938	X
15	HEADER DRIVE	NAPĘD HEDERA	1	86537318	X
17	HYDRAULIC REEL DRIVE AUGER	HYDRAULICZNY NAPĘD MOTOWIDŁA	1	9609607	
18	STRAW CHOPPER DRIVE, TR89	NAPĘD ROZDRABNICZA SŁOMY, TR89	1	86547070	
18	STRAW CHOPPER DRIVE TR99	NAPĘD ROZDRABNICZA SŁOMY TR99	1	86547809	X
19	STRAW SPREADER DRIVE	NAPĘD ROZTRZĄSACZA SŁOMY	1	618040	
21	UNLOADING AUGER DRIVE	NAPĘD ŚLIMAKA WYSYPU ZBIORNIKA	1	86514256	X
22	MAIN SHAFT DRIVE, HYDROSTATIC	NAPĘD MŁOCARNI, HYDROSTATYCZNY	1	86514163	
23	AIR CONDITIONER COMPRESSOR	NAPĘD KOMPRESORA KLIMATYZACJI	1	9842660	X
24	FEEDER DRIVE	NAPĘD PRZENOŚNIKA POCHYLEGO	1	699268	
25	FIXED SPEED FEEDER	PRZENOŚNIK	1	9613963	
25	"FIXED SPEED FEEDER WITH 12 CORNHEAD DRIVE"	"PRZENOŚNIK (12 CORNHEAD DRIVE)"	1	86537319	X
26	VARIABLE-SPEED FEEDER	PRZENOŚNIK	1	86610860	
30	STRAW CHOPPER INFEEED DRUM DRIVE	NAPĘD SIECZKARNI	1	331019	X

X - not in standard offer / brak w standardowej ofercie



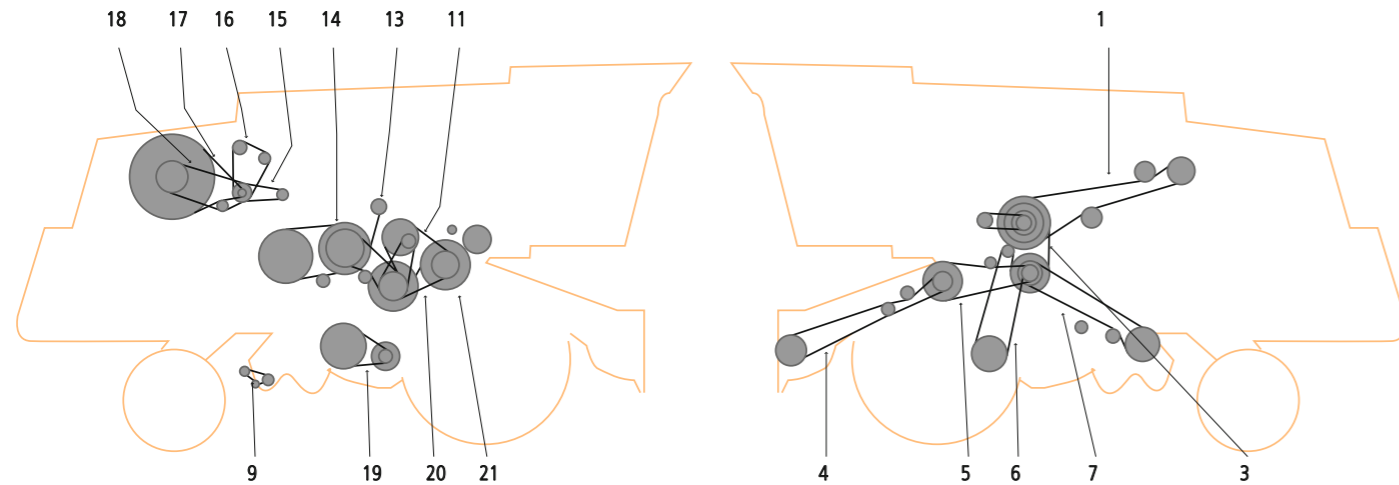


ITEM / POZYCJA	APPLICATION	OPIS	QUANTITY OF V-BELTS IN DRIVE / ILOŚĆ PASÓW W ZESPOLE	OE PART NUMBER / NUMER KATALOGOWY	COMMENT / UWAGI
3	ROTARY DUST SCREEN	NAPĘD KOSZA OBROTOWEGO CHŁODNICY	1	89514310	
4	RADIATOR FAN	NAPĘD WENTYLATORA CHŁODNICY	1	89831515	
4	RADIATOR FAN	NAPĘD WENTYLATORA CHŁODNICY	1	89818704	
5	ENGINE	NAPĘD POŚREDNI Z SILNIKA	1	89818705	
6	ALTERNATOR DRIVE	NAPĘD ALTERNATORA	1	84005860	X
7	UNLOADER AUGER DRIVE	NAPĘD ŚLIMAKA WYSYPU ZBIORNIKA	1	89838606	
8	BEATERSHAFT - MAIN DRIVE	NAPĘD GŁÓWNY	1	89817374	
11	GRAIN AUGER	NAPĘD PRZENOŚNIKA ŚLIMAKOWEGO	1	80422731	
12	BEATER SHAFT - ECCENTRIC SHAFT	NAPĘD WAŁU MIMOŚRODOWEGO	1	80387469	
13	STRAW ELEVATOR - BEATER SHAFT	NAPĘD PRZENOŚNIKA POCHYŁEGO	1	80066232	
13	STRAW ELEVATOR - BEATER SHAFT	NAPĘD PRZENOŚNIKA POCHYŁEGO	1	80424563	
14	HEADER DRIVE	NAPĘD HEDERA	2	89817487	
14	HEADER DRIVE	NAPĘD HEDERA	2	89817487	
14	HEADER DRIVE	NAPĘD HEDERA	1	89817488	
14	HEADER DRIVE	NAPĘD HEDERA	1	89817488	
14	HEADER DRIVE	NAPĘD HEDERA	1	89835120	
14	HEADER DRIVE	NAPĘD HEDERA	1	89835120	
14	HEADER DRIVE	NAPĘD HEDERA	1	89839375	
14	HEADER DRIVE	NAPĘD HEDERA	1	89839375	
15	DRUM - BEATER SHAFT	NAPĘD MŁOCARNI	1	80336784	
16	BEATER SHAFT	NAPĘD POŚREDNI WIALNI	1	89515075	
17	CLEANING FAN	NAPĘD WIALNI	1	89515076	
18	STRAW WALKER DRIVE	NAPĘD WYTRZĄSACZY	1	80431784	
19	HYDRAULIC PUMP DRIVE	NAPĘD POMPY HYDRAULICZNEJ	1	89818873	
20	SEPARATOR DRIVE	NAPĘD SEPARATORA	1	89837412	

X - not in standard offer / brak w standardowej ofercie

ITEM / POZYCJA	APPLICATION	OPIS	QUANTITY OF V-BELTS IN DRIVE / ILOŚĆ PASÓW W ZESPOLE	OE PART NUMBER / NUMER KATALOGOWY	COMMENT / UWAGI
1	INTERMEDIATE SHAFT - ENGINE	SILNIK - WAŁEK POŚREDNI	1	89838606	
2			1	80824182	
3			1	80825117	
4	STRAW ELEVATOR - BEATER SHAFT	NAPĘD PRZENOŚNIKA POCHYŁEGO	1	80424563	
5			1	80825013	
7	HEADER DRIVE	NAPĘD HEDERA	1	80330715	
8			1	89575153	
9			1	80755808	X
10			1	80753053	
11			1	80824176	
12			1	80724518	X
13			1	80824175	
14			1	89575059	
15	BEATER SHAFT	NAPĘD POŚREDNI WIALNI	1	89515075	
16	FAN	NAPĘD WENTYLATORA	1	89515076	
17	DRUM DRIVE	NAPĘD BĘBNA MŁÓCĄCEGO	1	80387460	
18	ECCENTRIC AND STRAW WALKER DRIVE	NAPĘD WAŁKA POŚREDNIEGO	1	80431784	

X - not in standard offer / brak w standardowej ofercie



ITEM / POZYCJA	APPLICATION	OPIS	QUANTITY OF V-BELTS IN DRIVE / ILOŚĆ PASÓW W ZESPOLE	OE PART NUMBER / NUMER KATALOGOWY	COMMENT / UWAGI
1	ENGINE TO BEATER SHAFT	PRZENIESIENIE NAPĘDU	1	80434044	
2	UNLOADER DRIVE	NAPĘD WYSYPU	1	80445640	
3	BEATER TO INTERMEDIATE SHAFT (FIAT ENGINE)	NAPĘD PRZEKŁADNI GŁÓWNEJ	1	80434045	
3	BEATER TO INTERMEDIATE SHAFT (MERCEDES ENGINE)	NAPĘD PRZEKŁADNI GŁÓWNEJ	1	80455865	
4	STRAW ELEVATOR DRIVE	NAPĘD PRZENOŚNIKA POCHYLEGO	2	80433746	
5	BEATER TO STRAW ELEVATOR	NAPĘD POŚREDNI PRZENOŚNIKA POCHYLEGO	1	80434222	
5	BEATER TO STRAW ELEVATOR	NAPĘD POŚREDNI PRZENOŚNIKA POCHYLEGO	1	80350236	
5	BEATER TO STRAW ELEVATOR	NAPĘD POŚREDNI PRZENOŚNIKA POCHYLEGO	1	80743877	
6	GROUND SPEED DRIVE	NAPĘD JAZDY	1	80440780	
7	SHAKER SHOE DRIVE	NAPĘD KOSZA SITOWEGO	1	80448794	
11	REAR BEATER TO DRUM SHAFT	NAPĘD BĘBNA MŁÓCĄCEGO	1	80186347	
13	SEPARATOR DRIVE	NAPĘD SEPARATORA	1	80434047	
14	ROTARY SEPARATOR TO ROTOR	PRZENIESIENIE NAPĘDU	1	80434046	
15	AIR CONDITIONING COMPRESSOR	NAPĘD KOMPRESORA KLIMATYZACJI	1	80381237	
16	ALTERNATOR DRIVE	NAPĘD ALTERNATORA	1	80449380	
16	ALTERNATOR DRIVE	NAPĘD ALTERNATORA	1	80432642	
17	DUST CAP	NAPĘD OSŁONY KOSZA CHŁODNICY	1	80439495	
18	FAN DRIVE	NAPĘD WENTYLATORA KOSZA CHŁODNICY	1	80439496	
19	CLEANING FAN DRIVE	NAPĘD WIALNI CZYSZCZĄCEJ	1	80439832	
20	DRUM SHAFT TO INTERMEDIATE SHAFT	NAPĘD BĘBNA MŁÓCĄCEGO	1	80434160	
21	INTERMEDIATE SHAFT TO GRAIN ELEVATOR	NAPĘD POŚREDNI PRZENOŚNIKA ZIARNOWEGO	1	80433639	

X - not in standard offer / brak w standardowej ofercie

ITEM / POZYCJA	APPLICATION	OPIS	QUANTITY OF V-BELTS IN DRIVE / ILOŚĆ PASÓW W ZESPOLE	OE PART NUMBER / NUMER KATALOGOWY	COMMENT / UWAGI
1			1	80750166	
2	MAIN DRIVE	NAPĘD GŁÓWNY	1	80750290	
3	DRUM DRIVE	NAPĘD BĘBNA MŁÓCĄCEGO	1	84817628	
4	STRAW ELEVATOR DRIVE	NAPĘD PRZENOŚNIKA POCHYLEGO		80453268	
5			1	84817636	
5			1	84817632	
6			1	448794	X
6			1	89832601	
7	ROTARY SEPARATOR	NAPĘD ZESPOŁU ROTORA SEPARUJĄCEGO	1	84448591	
8			1	80427456	
9	FAN DRIVE	NAPĘD WENTYLATORA	1	80750318	X
9	ROTARY DUST SCREEN DRIVE, 7404001 - 7409999	NAPĘD ROTORA KOSZA FILTRACYJNEGO 7404001 - 7409999	1	87374615	
10			1	80439496	
11	WATERPUMP AND ALTERNATOR DRIVE, 7401001 - 7415999	POMPA WODNA I ALTERNATOR, 7401001 - 7415999	2	80748003	
11	WATERPUMP AND ALTERNATOR DRIVE, 7416001 - 7418999	POMPA WODNA I ALTERNATOR, 7416001 - 7418999	2	452023	
12			1	80436304	
14	MAIN DRIVE	NAPĘD GŁÓWNY	1	84000191	
16	CHOPPER DRIVE, 7422001 -	NAPĘD SIECZKARNI, 7422001 -	1	84000189	
17	CHOPPER DRIVE, 7410001 -	NAPĘD SIECZKARNI, 7410001 -	1	80457309	
18	WATERPUMP DRIVE	NAPĘD POMPY WODNEJ	1	80443634	

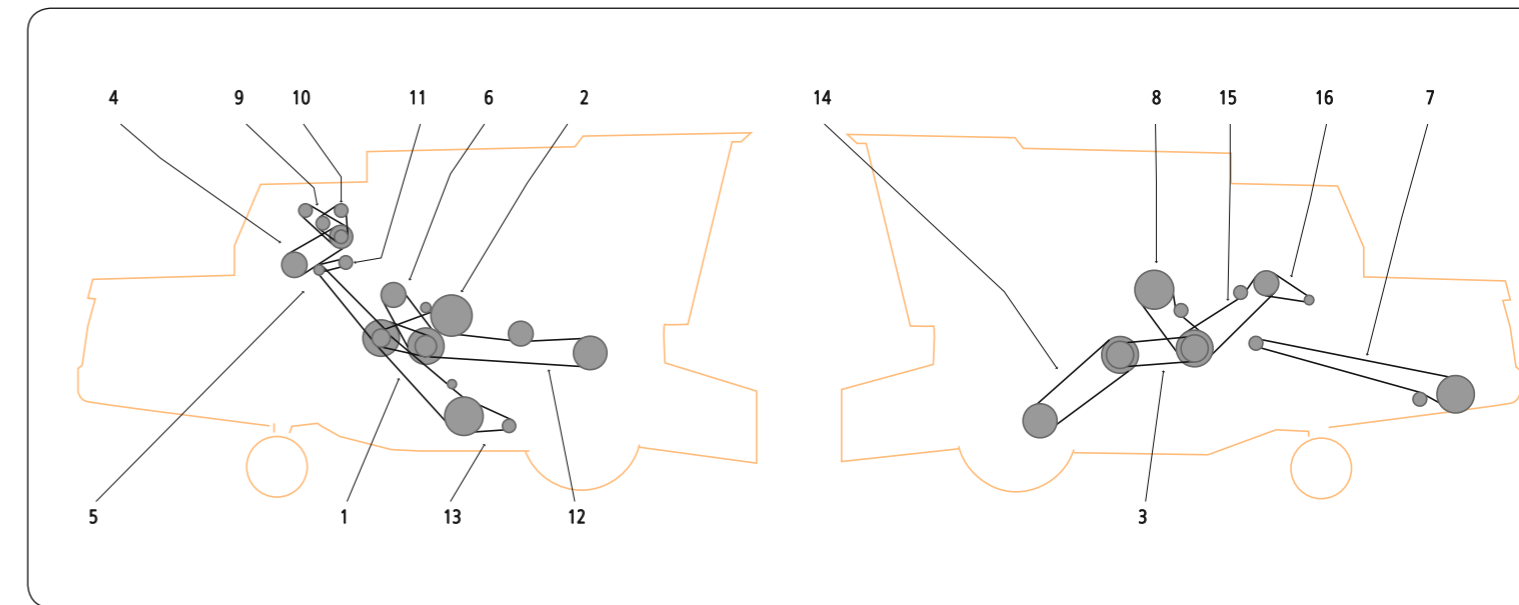
X - not in standard offer / brak w standardowej ofercie

ITEM / POZYCJA	APPLICATION	OPIS	QUANTITY OF V-BELTS IN DRIVE / ILOŚĆ PASÓW W ZESPOLE	OE PART NUMBER / NUMER KATALOGOWY	COMMENT / UWAGI
1	MAIN DRIVE BELT	NAPĘD GŁÓWNY BELT	1	84817623	
2	HYDROSTATIC DRIVE	NAPĘD HYDROSTATYCZNY	1	84817631	
3	FAN DRIVE	NAPĘD WENTYLATORA	1	84817629	
4			1	9593400	
5			1	80434222	
5			1	84817632	
6	SHAKER SHOE DRIVE	NAPĘD KOSZA SITOWEGO	1	448794	X
10	CHOPPER, DRIVE FOR TF76 ONLY	NAPĘD SIECZKARNI, TYLKO DO TF76	1	84000189	
12	DRUM DRIVE	NAPĘD BĘBNA MŁÓCĄCEGO	1	84817628	
14	AUGER DRIVE	NAPĘD ŚLIMAKA	1	84817636	
15			1	89832601	
16	ROTARY SEPARATOR	NAPĘD ZESPOŁU ROTORA SEPARUJĄCEGO	1	84448591	
17			1	80427456	
18			1	84817627	
21	CHOPPER, DRIVE FOR TF76 ONLY	NAPĘD SIECZKARNI, TYLKO DO TF76	1	84000189	
22			1	84817639	
23	ALTERNATOR, WATERPUMP AND FAN	ALTERNATOR, POMPA WODNA I WENTYLATOR	1	84817638	X
24	HYDRAULIC PUMP	POMPA HYDRAULICZNA	2	84817670	
25			1	84817630	
26	COMPRESSOR DRIVE	NAPĘD KOMPRESORA	1	84817626	X

X - not in standard offer / brak w standardowej ofercie

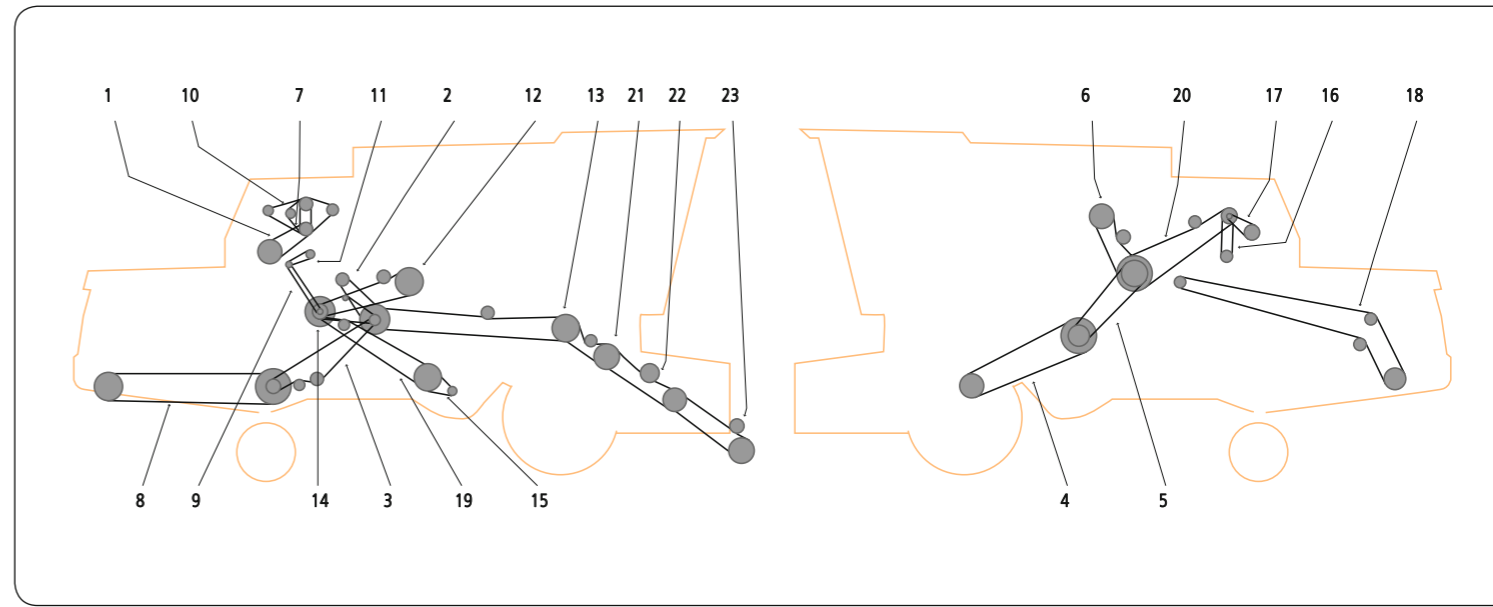
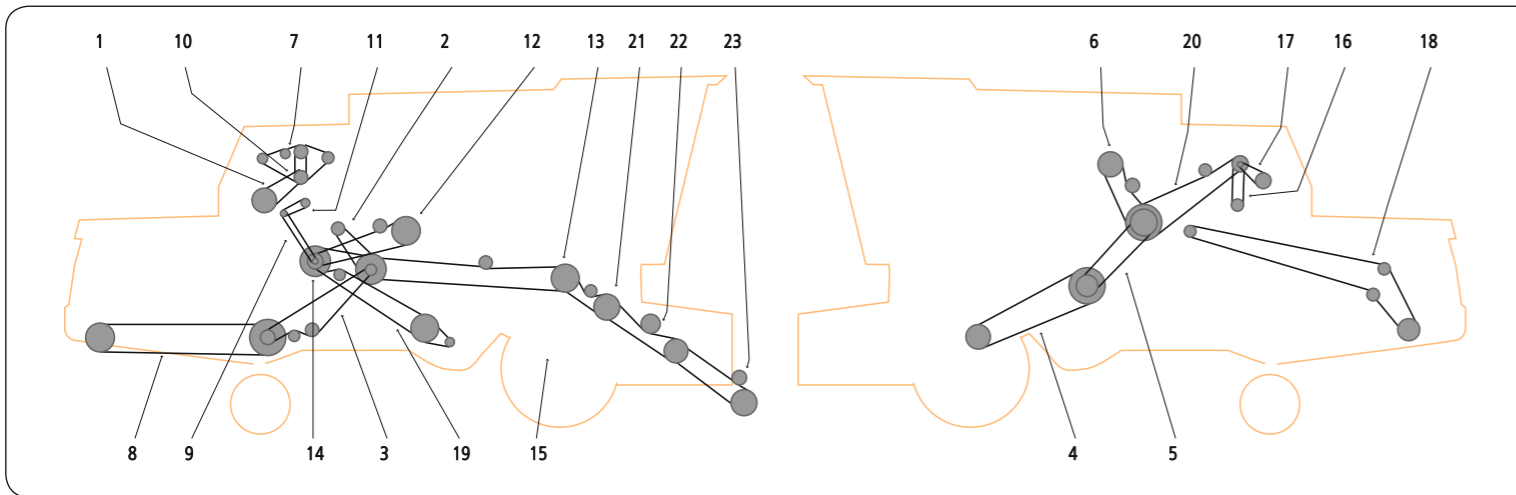
ITEM / POZYCJA	APPLICATION	OPIS	QUANTITY OF V-BELTS IN DRIVE / ILOŚĆ PASÓW W ZESPOLE	OE PART NUMBER / NUMER KATALOGOWY	COMMENT / UWAGI
1			1	80750166	
2	HYDROSTATIC DRIVE	NAPĘD HYDROSTATYCZNY	1	84817631	
3	FAN DRIVE	NAPĘD WENTYLATORA	1	84817629	
4			1	9593400	
5			1	80434222	
5			1	84817632	
6	SHAKER SHOE DRIVE	NAPĘD KOSZA SITOWEGO	1	448794	X
10	CHOPPER, DRIVE FOR TF78 ONLY	NAPĘD SIECZKARNI, TYLKO DO TF78	1	84000189	
12	DRUM DRIVE	NAPĘD BĘBNA MŁÓCĄCEGO	1	84817628	
14	AUGER DRIVE	NAPĘD ŚLIMAKA	1	84817636	
15			1	89832601	
16	ROTARY SEPARATOR	NAPĘD ZESPOŁU ROTORA SEPARUJĄCEGO	1	84448591	
17			1	80427456	
18	CLEANING FAN DRIVE	CLEANING NAPĘD WENTYLATORA	1	84817627	
22	ROTARY SCREEN DRIVE	NAPĘD KOSZA CHŁODNICY	1	84021588	
23	AIR CONDITIONER, ENGINE PARTS	KLIMATYZACJA, OSPRZĘT SILNIKA	2	84007307	
25	ROTARY SCREEN DRIVE	NAPĘD KOSZA CHŁODNICY	1	84021590	

X - not in standard offer / brak w standardowej ofercie



ITEM / POZYCJA	APPLICATION	OPIS	QUANTITY OF V-BELTS IN DRIVE / ILOŚĆ PASÓW W ZESPOLE	OE PART NUMBER / NUMER KATALOGOWY	COMMENT / UWAGI
1	BEATER DRIVE	NAPĘD MŁOCARNI	1	621104	
2	GRAIN ELEVATOR DRIVE	NAPĘD PRZENOŚNIKA ZIARNOWEGO	1	703747	
3	GROUND SPEED DRIVE	NAPĘD JAZDY	1	261000	X
4	HYDRAULIC PUMP DRIVE	NAPĘD POMPY HYDRAULICZNEJ	1	248332	
4	HYDRAULIC PUMP DRIVE	NAPĘD POMPY HYDRAULICZNEJ	1	576772	
5	ROTARY SCREEN - JACKSHAFT DRIVE	WAŁEK POŚREDNI - SITA OBROTOWE	1	246771	
6	ROTOR DRIVE	NAPĘD ROTORA	1	254093	
6	ROTOR DRIVE (OPT FOR HIGH SPEED)	NAPĘD ROTORA	1	715785	X
7	STRAW CHOPPER DRIVE	NAPĘD ROZDRABNIACZA SŁOMY	1	578206	
7	STRAW SPREADER	ROZTRZĄSACZ	1	246727	
7	STRAW SPREADER	ROZTRZĄSACZ	1	230143	
8	UNLOADING AUGER DRIVE	NAPĘD ŚLIMAKA WYSYPU ZBIORNIKA	1	247782	
9	GOVERNOR (GAS ENGINE)	NAPĘD REGULATORA PRZEKŁADNI	1	266209	
10	ALTERNATOR AND FAN DRIVE	NAPĘD ALTERNATORA I WENTYLATORA	1	254084	
10	ALTERNATOR AND FAN DRIVE	NAPĘD ALTERNATORA I WENTYLATORA	1	261472	X
10	ALTERNATOR AND FAN DRIVE	NAPĘD ALTERNATORA I WENTYLATORA	1	576774	
10	ALTERNATOR AND FAN DRIVE	NAPĘD ALTERNATORA I WENTYLATORA	2	626654	
11	ROTARY SCREEN DRIVE	NAPĘD KOSZA CHŁODNICY	1	126805	X
12	HEADER DRIVE	NAPĘD HEDERA	1	246980	
13	CLEANING FAN DRIVE	NAPĘD WIALNI CZYSZCZĄCEJ	1	284521	X
14	GROUND SPEED - HYDRO DRIVE	NAPĘD JAZDY	1	268612	
14	GROUND SPEED DRIVE	NAPĘD JAZDY	1	261001	
15	MAIN DRIVE	NAPĘD GŁÓWNY	1	246978	
15	MAIN DRIVE	NAPĘD GŁÓWNY	1	576771	
16	AIR CONDITIONING	NAPĘD KLIMATYZACJI	1	264557	
16	AIR CONDITIONING	NAPĘD KLIMATYZACJI	1	576776	

X - not in standard offer / brak w standardowej ofercie

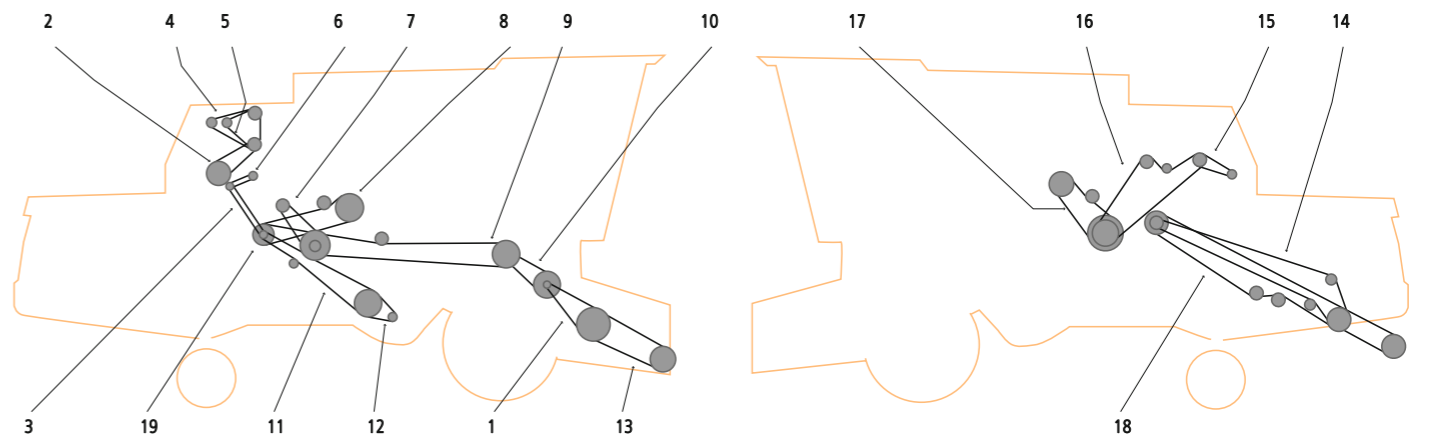
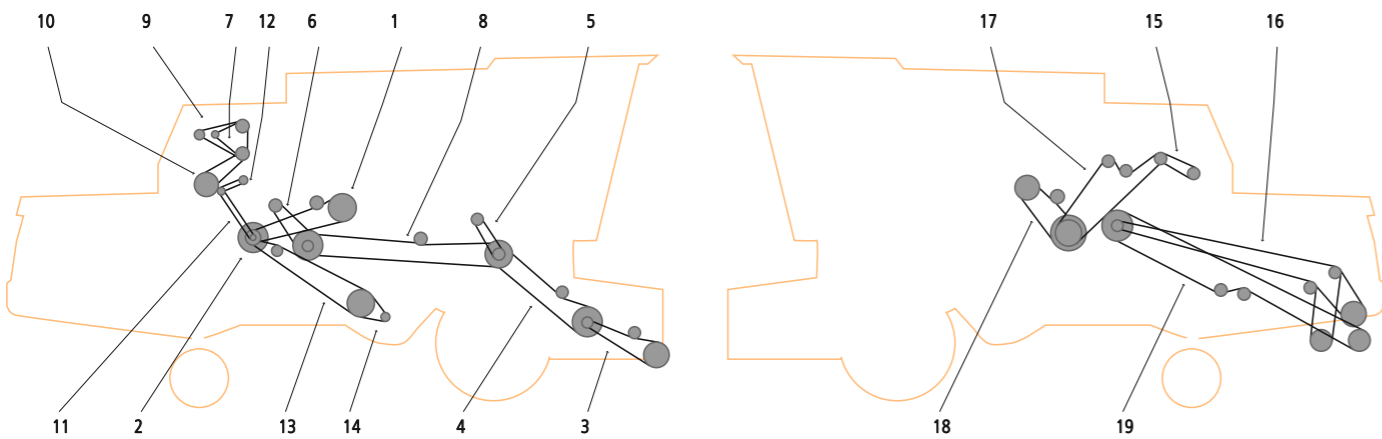


ITEM / POZYCJA	APPLICATION	OPIS	QUANTITY OF V-BELTS IN DRIVE / ILOŚĆ PASÓW W ZESPOLE	OE PART NUMBER / NUMER KATALOGOWY	COMMENT / UWAGI
1	HYDRAULIC PUMP DRIVE	NAPĘD POMPY HYDRAULICZNEJ	1	248332	
1	HYDRAULIC PUMP DRIVE	NAPĘD POMPY HYDRAULICZNEJ	1	576772	
2	ROTARY DRIVE	NAPĘD OBROTOWY	1	717700	X
2	ROTOR DRIVE - HIGH SPEED	NAPĘD ROTORA - WYSOKOOBROTOWY	1	637783	X
2	ROTOR DRIVE - STANDARD	NAPĘD ROTORA - STANDARD	1	640143	X
3	FRONT STRAW CHOPPER	NAPĘD ROZDRABNIACZA SŁOMY	1	619748	
4	TRACTION HYDROSTATIC DRIVE - LOWER	NAPĘD JEZDNY HYDROSTATYCZNY DOLNY	1	716414	
4	TRACTION HYDROSTATIC DRIVE - LOWER	NAPĘD JEZDNY HYDROSTATYCZNY DOLNY	1	634042	
4	TRACTION HYDROSTATIC DRIVE - LOWER	NAPĘD JEZDNY HYDROSTATYCZNY DOLNY	1	636645	
5	TRACTION HYDROSTATIC DRIVE - UPPER	NAPĘD JEZDNY HYDROSTATYCZNY GÓRNY	1	716416	
5	STANDARD TRACTION DRIVE - UPPER	NAPĘD JEZDNY GÓRNY	1	717700	X
5	STANDARD TRACTION DRIVE - UPPER	NAPĘD JEZDNY GÓRNY	1	254093	
6	UNLOADING AUGER DRIVE	NAPĘD ŚLIMAKA WYSYPU ZBIORNIKA	1	247782	
7	ENGINE FAN	NAPĘD WENTYLATORA	2	647901	X
7	ENGINE FAN	NAPĘD WENTYLATORA	1	772654	X
8	STRAW CHOPPER REAR	SIECZKARNIA	1	614040	
9	ROTARY SCREEN - LOWER	NAPĘD DOLNY KOSZA CHŁODNICY	1	610767	
9	ROTARY SCREEN - LOWER	NAPĘD DOLNY KOSZA CHŁODNICY	1	612305	
10	ALTERNATOR AND WATER PUMP DRIVE	NAPĘD ALTERNATORA, POMPY WODNEJ	1	772656	X
11	ROTARY SCREEN - UPPER	NAPĘD GÓRNY KOSZA CHŁODNICY	1	716254	X
12	CLEAN GRAIN ELEVATOR DRIVE	NAPĘD PRZENOŚNIKA ZIARNA	1	703747	
13	HEADER DRIVE	NAPĘD HEDERA	1	246980	
13	HEADER DRIVE	NAPĘD HEDERA	1	682008	
14	DISCHARGE BEATER DRIVE	NAPĘD WYŁADUNKU KOMORY	1	621104	
15	CLEANING FAN DRIVE	NAPĘD WIALNI CZYSZCZĄCEJ	1	624398	X
15	CLEANING FAN DRIVE	NAPĘD WIALNI CZYSZCZĄCEJ	1	642569	X
16	HYDROSTATIC CHARGE PUMP DRIVE	NAPĘD POMPY HYDROSTATYCZNEJ	1	259477	
17	AIR COMPRESSOR	NAPĘD KOMPRESORA	1	259346	X
17	AIR COMPRESSOR	NAPĘD KOMPRESORA	1	264557	
17	AIR COMPRESSOR	NAPĘD KOMPRESORA	1	576776	
18	STRAW CHOPPER DRIVE	NAPĘD ROZDRABNIACZA SŁOMY	1	246727	
18	STRAW CHOPPER DRIVE	NAPĘD ROZDRABNIACZA SŁOMY	1	230143	
19	SHAKER SHOE DRIVE	NAPĘD KOSZA SITOWEGO	1	785415	
20	MAIN SHAFT DRIVE - STANDARD TRACTION	NAPĘD MŁOCARNI	1	795009	
20	MAIN SHAFT DRIVE	NAPĘD MŁOCARNI	1	576771	
21	FEEDER DRIVE	NAPĘD PRZENOŚNIKA POCHYLEGO	3	620944	
22	FIXED SPEED FEEDER DRIVE	PRZENOŚNIK	2	621367	
22	FEEDER SPEED DRIVE	PRZENOŚNIK	1	630010	
23	FEEDER SPEED DRIVE	PRZENOŚNIK	1	699368	X
23	FEEDER SPEED DRIVE	PRZENOŚNIK	5	632890	

X - not in standard offer / brak w standardowej ofercie

ITEM / POZYCJA	APPLICATION	OPIS	QUANTITY OF V-BELTS IN DRIVE / ILOŚĆ PASÓW W ZESPOLE	OE PART NUMBER / NUMER KATALOGOWY	COMMENT / UWAGI
2	ROTOR DRIVE - HIGH SPEED	NAPĘD ROTORA - WYSOKOOBROTOWY	1	637783	X
2	ROTARY DRIVE	NAPĘD OBROTOWY	1	717700	X
2	ROTOR DRIVE - STANDARD	NAPĘD ROTORA - STANDARD	1	640143	X
3	FRONT STRAW CHOPPER	NAPĘD ROZDRABNIACZA SŁOMY	1	619748	
4	TRACTION HYDROSTATIC DRIVE - LOWER	NAPĘD JEZDNY HYDROSTATYCZNY DOLNY	1	716414	
4	TRACTION HYDROSTATIC DRIVE - LOWER	NAPĘD JEZDNY HYDROSTATYCZNY DOLNY	1	634042	
4	TRACTION HYDROSTATIC DRIVE - LOWER	NAPĘD JEZDNY HYDROSTATYCZNY DOLNY	1	636645	
5	TRACTION HYDROSTATIC DRIVE - UPPER	NAPĘD JEZDNY HYDROSTATYCZNY GÓRNY	1	716416	
5	STANDARD TRACTION DRIVE - UPPER	NAPĘD JEZDNY GÓRNY	1	717700	X
5	STANDARD TRACTION DRIVE - UPPER	NAPĘD JEZDNY GÓRNY	1	254093	
6	UNLOADING AUGER DRIVE	NAPĘD ŚLIMAKA WYSYPU ZBIORNIKA	1	247782	
7	ENGINE FAN	NAPĘD WENTYLATORA	2	647901	X
7	ENGINE FAN	NAPĘD WENTYLATORA	1	772654	X
8	STRAW CHOPPER REAR	SIECZKARNIA	1	614040	
9	ROTARY SCREEN - LOWER	NAPĘD DOLNY KOSZA CHŁODNICY	1	610767	
9	ROTARY SCREEN - LOWER	NAPĘD DOLNY KOSZA CHŁODNICY	1	612305	
11	ROTARY SCREEN - UPPER	NAPĘD GÓRNY KOSZA CHŁODNICY	1	716254	X
12	CLEAN GRAIN ELEVATOR DRIVE	NAPĘD PRZENOŚNIKA ZIARNA	1	703747	
13	HEADER DRIVE	NAPĘD HEDERA	1	246980	
13	HEADER DRIVE	NAPĘD HEDERA	1	682008	
14	DISCHARGE BEATER DRIVE	NAPĘD WYŁADUNKU KOMORY	1	621104	
15	CLEANING FAN DRIVE	NAPĘD WIALNI CZYSZCZĄCEJ	1	624398	X
15	CLEANING FAN DRIVE	NAPĘD WIALNI CZYSZCZĄCEJ	1	642569	X
16	HYDROSTATIC CHARGE PUMP DRIVE	NAPĘD POMPY HYDROSTATYCZNEJ	1	259477	
17	AIR COMPRESSOR	NAPĘD KOMPRESORA	1	259346	X
17	AIR COMPRESSOR	NAPĘD KOMPRESORA	1	264557	
17	AIR COMPRESSOR	NAPĘD KOMPRESORA	1	576776	
18	STRAW CHOPPER DRIVE	NAPĘD ROZDRABNIACZA SŁOMY	1	246727	
18	STRAW SPREADER DRIVE	NAPĘD ROZTRZĄSACZA SŁOMY	1	230143	
19	SHAKER SHOE DRIVE	NAPĘD KOSZA SITOWEGO	1	785415	
20	MAIN SHAFT DRIVE - STANDARD TRACTION	NAPĘD MŁOCARNI	1	795009	
20	MAIN SHAFT DRIVE	NAPĘD MŁOCARNI	1	246978	
21	FEEDER DRIVE	NAPĘD PRZENOŚNIKA POCHYLEGO	3	620944	
22	FIXED SPEED FEEDER DRIVE	PRZENOŚNIK	2	621367	
22	FEEDER SPEED DRIVE	PRZENOŚNIK	1	630010	
23	FEEDER SPEED DRIVE	PRZENOŚNIK	1	699368	X
23	FEEDER SPEED DRIVE	PRZENOŚNIK	5	632890	

X - not in standard offer / brak w standardowej ofercie



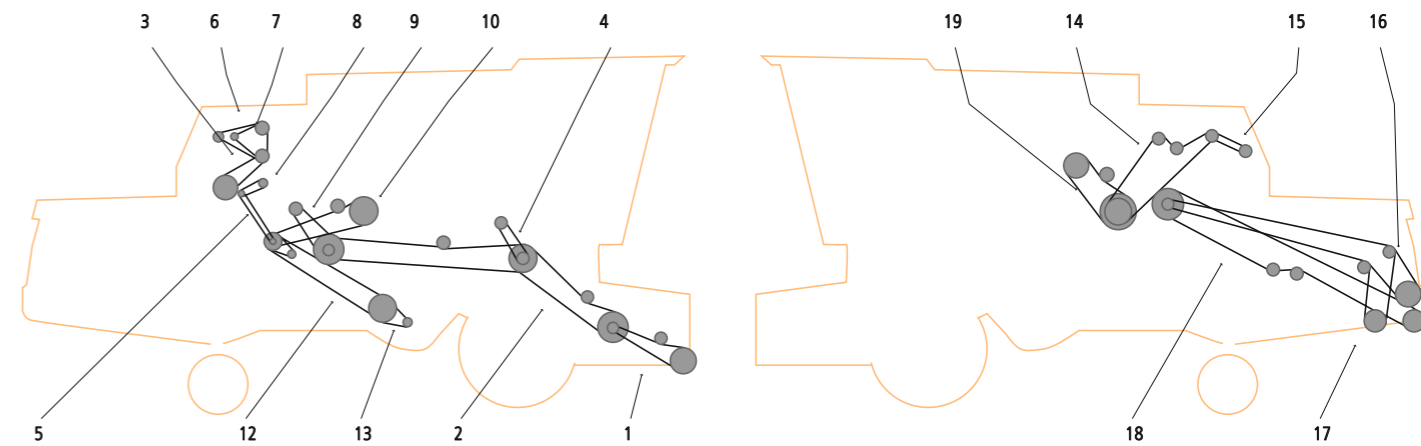
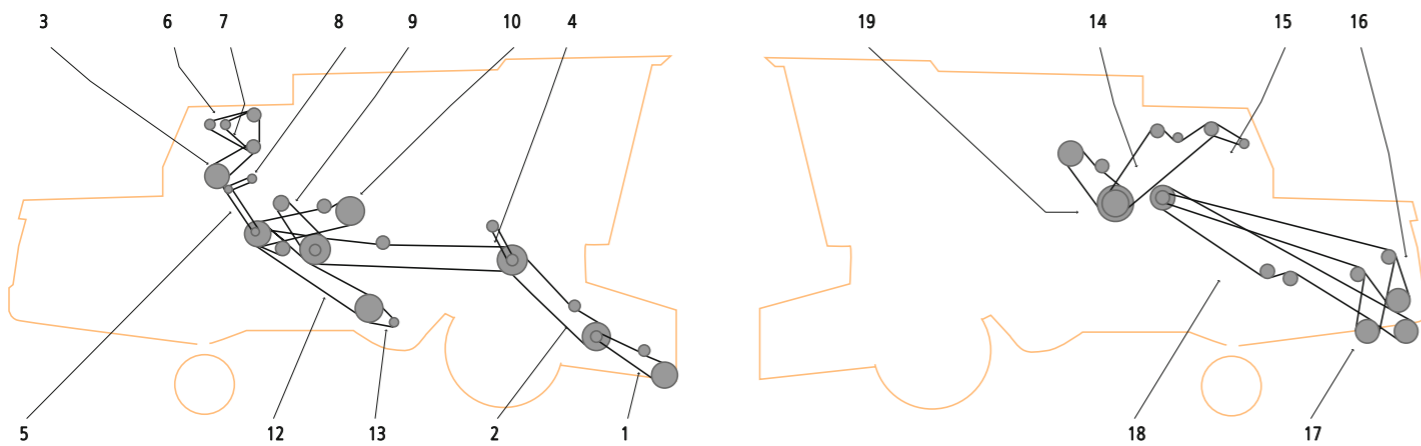
ITEM / POZYCJA	APPLICATION	OPIS	QUANTITY OF V-BELTS IN DRIVE / ILOŚĆ PASÓW W ZESPOLE	OE PART NUMBER / NUMER KATALOGOWY	COMMENT / UWAGI
1	CLEAN GRAIN ELEVATOR DRIVE	NAPĘD PRZENOŚNIKA ZIARNA	1	703747	
2	DISCHARGE BEATER DRIVE	NAPĘD WYŁADUNKU KOMORY	1	617362	X
3	FEEDER DRIVE	NAPĘD PRZENOŚNIKA POCHYLEGO	1	699268	
4	SMALL GRAIN SPECIAL	PRZYSTAWKA DO MAŁYCH ZIAREN	1	9613963	
4	FIXED SPEED FEEDER DRIVE	PRZENOŚNIK	2	621367	
4	SPEED FEEDER	PRZENOŚNIK	1	849514	X
5	HYDRAULIC REEL PUMP DRIVE	NAPĘD POMPY HYDRAULICZNEJ MOTOWIDEŁ	1	244025	
6	ROTOR DRIVE - HIGH SPEED	NAPĘD ROTORA - WYSOKOOBROTOWY	1	637783	X
6	ROTOR DRIVE - STANDARD	NAPĘD ROTORA - STANDARD	1	640143	X
7	ENGINE FAN AND HYDRAULIC PUMP	NAPĘD WENTYLATORA SILNIKA I POMPY HYDRAULICZNEJ	2	855676	X
7	ENGINE FAN	NAPĘD WENTYLATORA	2	647901	X
8	HEADER DRIVE	NAPĘD HEDERA	1	682008	
9	ALTERNATOR DRIVE	NAPĘD ALTERNATORA	2	572981	X
9	ALTERNATOR DRIVE	NAPĘD ALTERNATORA	2	626654	
10	HYDRAULIC PUMP DRIVE	NAPĘD POMPY HYDRAULICZNEJ	2	855676	X
10	HYDRAULIC PUMP DRIVE	NAPĘD POMPY HYDRAULICZNEJ	1	248332	
11	ROTARY SCREEN DRIVE	NAPĘD KOSZA CHŁODNICY	1	610767	
11	ROTARY SCREEN DRIVE	NAPĘD KOSZA CHŁODNICY	1	612305	
12	ROTARY SCREEN SECONDARY DRIVE	POMOCNICZY NAPĘD ZESPOŁU KOSZA CHŁODNICY	1	716254	X
13	SHAKER SHOE DRIVE	NAPĘD KOSZA SITOWEGO	1	785415	
14	CLEANING FAN DRIVE	NAPĘD WIALNI CZYSZCZĄCEJ	1		
14	CLEANING FAN DRIVE	NAPĘD WIALNI CZYSZCZĄCEJ	1	792809	
15	AIR CONDITIONING COMPRESSOR	NAPĘD KOMPRESORA KLIMATYZACJI	1	259346	X
15	AIR CONDITIONING COMPRESSOR	NAPĘD KOMPRESORA KLIMATYZACJI	1	577240	X
16	STRAW SPREADER DRIVE	NAPĘD ROZTRZĄSACZA SŁOMY	1	230143	
17	MAIN SHAFT AND HYDROSTATIC PUMP DRIVE	NAPĘD MŁOCARNI	1	797978	
17	MAIN SHAFT AND HYDROSTATIC PUMP DRIVE	NAPĘD MŁOCARNI	1	788803	
18	UNLOADING AUGER DRIVE	NAPĘD ŚLIMAKA WYSYPY ZBIORNIKA	1	694982	X
19	STRAW CHOPPER DRIVE	NAPĘD ROZDRABNIACZA SŁOMY	1	618853	

X - not in standard offer / brak w standardowej ofercie

ITEM / POZYCJA	APPLICATION	OPIS	QUANTITY OF V-BELTS IN DRIVE / ILOŚĆ PASÓW W ZESPOLE	OE PART NUMBER / NUMER KATALOGOWY	COMMENT / UWAGI
1	FIXED SPEED FEEDER DRIVE	PRZENOŚNIK	2	621367	
1	SPEED FEEDER	PRZENOŚNIK	1	630010	
2	HYDRAULIC PUMP DRIVE	NAPĘD POMPY HYDRAULICZNEJ	1	624650	
3	ROTARY SCREEN DRIVE	NAPĘD KOSZA CHŁODNICY	1	615790	
4	ALTERNATOR AND WATER PUMP DRIVE	NAPĘD ALTERNATORA, POMPY WODNEJ	2	626654	
5	ENGINE FAN DRIVE	NAPĘD WENTYLATORA	1	758340	X
6	ALTERNATOR DRIVE	NAPĘD ALTERNATORA	2	626657	X
6	ROTARY SCREEN SECONDARY DRIVE	POMOCNICZY NAPĘD ZESPOŁU KOSZA CHŁODNICY	1	716254	X
7	ROTOR DRIVE	NAPĘD ROTORA	1	692974	X
7	ROTOR DRIVE	NAPĘD ROTORA	1	692975	X
7	ROTOR DRIVE	NAPĘD ROTORA	1	787583	X
8	CLEAN GRAIN ELEVATOR DRIVE	NAPĘD PRZENOŚNIKA ZIARNA	1	230164	
9	HEADER DRIVE	NAPĘD HEDERA	1	246980	
9	ROTOR DRIVE - HIGH SPEED	NAPĘD ROTORA - WYSOKOOBROTOWY	1	692975	X
10	FEEDER DRIVE	NAPĘD PRZENOŚNIKA POCHYLEGO	3	620944	
11	SHAKER SHOE DRIVE	NAPĘD KOSZA SITOWEGO	1	774747	
12	CLEANING FAN DRIVE	NAPĘD WIALNI CZYSZCZĄCEJ	1	710751	X
12	CLEANING FAN DRIVE	NAPĘD WIALNI CZYSZCZĄCEJ	1	710752	X
12	CLEANING FAN DRIVE	NAPĘD WIALNI CZYSZCZĄCEJ	1	773300	X
13	STONEROLL DRIVE		5	632890	
14	STRAW CHOPPER BEATER DRIVE	NAPĘD SIECZKARNI	1	230143	
15	AIR CONDITIONING COMPRESSOR	NAPĘD KOMPRESORA KLIMATYZACJI	1	259346	X
15	AIR CONDITIONING COMPRESSOR	NAPĘD KOMPRESORA KLIMATYZACJI	1	264557	
16	MAIN SHAFT AND HYDROSTATIC PUMP DRIVE	NAPĘD MŁOCARNI	1	649035	X
16	MAIN SHAFT AND HYDROSTATIC PUMP DRIVE	NAPĘD MŁOCARNI	1	638337	X
17	UNLOADING AUGER DRIVE	NAPĘD ŚLIMAKA WYSYPY ZBIORNIKA	1	618805	
18	STRAW SPREADER	ROZTRZĄSACZ	1	618040	

X - not in standard offer / brak w standardowej ofercie



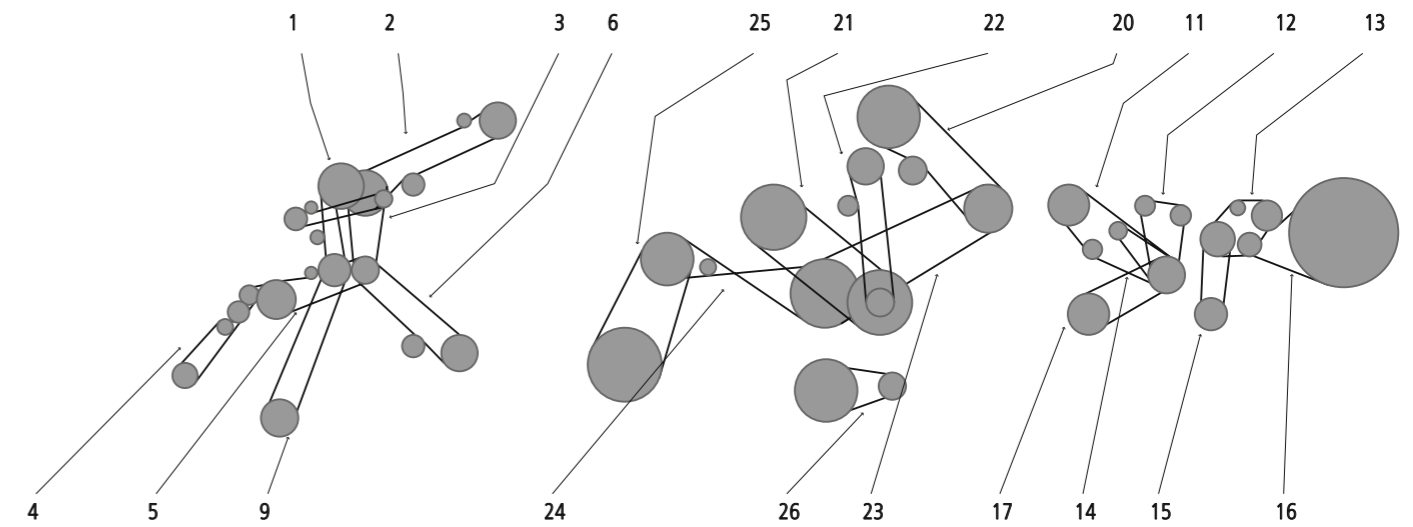
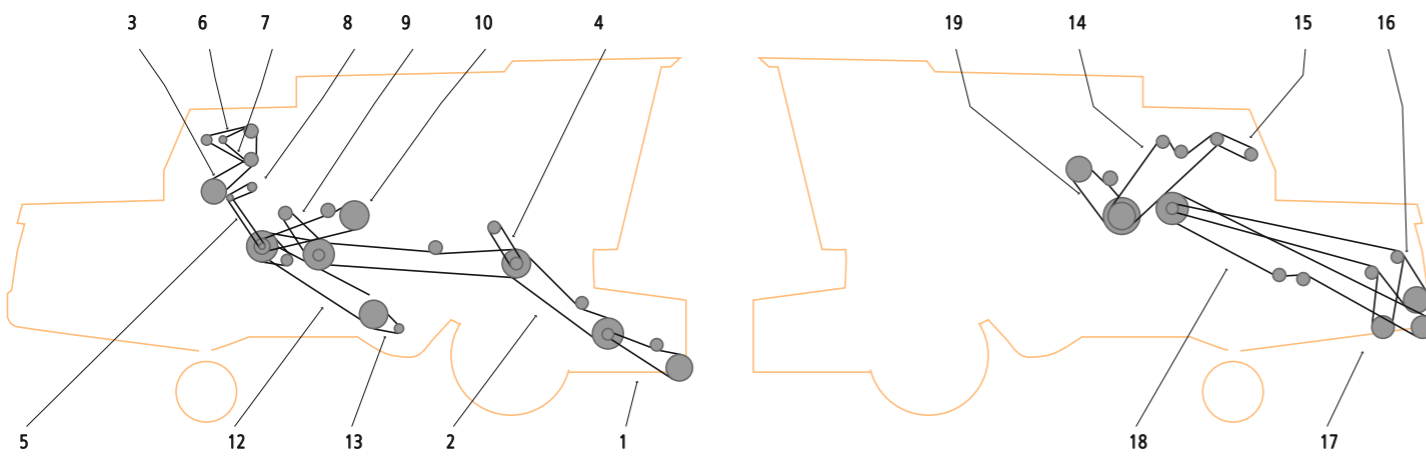


ITEM / POZYCJA	APPLICATION	OPIS	QUANTITY OF V-BELTS IN DRIVE / ILOŚĆ PASÓW W ZESPOLE	OE PART NUMBER / NUMER KATALOGOWY	COMMENT / UWAGI
1	FEEDER DRIVE	NAPĘD PRZENOŚNIKA POCHYLEGO	1	699268	
2	SMALL GRAIN SPECIAL	PRZYSTAWKA DO MAŁYCH ZIAREN	1	9613963	
2	FIXED SPEED FEEDER DRIVE	PRZENOŚNIK	2	621367	
2	FEEDER SPEED DRIVE	PRZENOŚNIK	1	849514	X
2	FEEDER SPEED DRIVE	PRZENOŚNIK	1	9601511	X
3	ENGINE FAN AND HYDRAULIC PUMP	NAPĘD WENTYLATORA SILNIKA I POMPY HYDRAULICZNEJ	2	855676	X
3	HYDRAULIC PUMP DRIVE	NAPĘD POMPY HYDRAULICZNEJ	1	624650	
3	ENGINE FAN	NAPĘD WENTYLATORA	1	768340	X
4	HYDRAULIC PUMP DRIVE	NAPĘD POMPY HYDRAULICZNEJ	1	244025	
5	ROTARY SCREEN DRIVE	NAPĘD KOSZA CHŁODNICY	1	615790	
5	ROTARY SCREEN DRIVE	NAPĘD KOSZA CHŁODNICY	1	859063	
6	ALTERNATOR DRIVE	NAPĘD ALTERNATORA	2	572981	X
6	ALTERNATOR DRIVE	NAPĘD ALTERNATORA	2	626654	
6	ALTERNATOR DRIVE	NAPĘD ALTERNATORA	2	626657	X
7	WATER PUMP DRIVE	NAPĘD POMPY WODNEJ	1	592711	X
8	ROTARY SCREEN SECONDARY DRIVE	POMOCNICZY NAPĘD ZESPOŁU KOSZA CHŁODNICY	1	716254	X
9	ROTOR DRIVE - STANDARD	NAPĘD ROTORA - STANDARD	1	692974	X
9	ROTOR DRIVE - HIGH SPEED	NAPĘD ROTORA - WYSOKOOBROTOWY	1	692975	X
10	CLEAN GRAIN ELEVATOR DRIVE	NAPĘD PRZENOŚNIKA ZIARNA	1	9604713	
10	CLEAN GRAIN ELEVATOR DRIVE	NAPĘD PRZENOŚNIKA ZIARNA	1	230164	
11	HEADER DRIVE	NAPĘD HEDERA	1	682008	
12	SHAKER SHOE DRIVE	NAPĘD KOSZA SITOWEGO	1	774747	
13	CLEANING FAN	NAPĘD WIALNI	1	773300	X
13	CLEANING FAN	NAPĘD WIALNI	1	792811	X
14	MAIN SHAFT AND HYDROSTATIC PUMP DRIVE	NAPĘD MŁOCARNI	1	649035	X
14	MAIN SHAFT AND HYDROSTATIC PUMP DRIVE	NAPĘD MŁOCARNI	1	797979	X
15	AIR CONDITIONING COMPRESSOR	NAPĘD KOMPRESORA KLIMATYZACJI	1	259346	X
15	AIR CONDITIONING COMPRESSOR	NAPĘD KOMPRESORA KLIMATYZACJI	2	626657	X
16	STRAW SPREADER DRIVE	NAPĘD ROZTRZĄSACZA SŁOMY	1	618040	
17	STRAW CHOPPER. INFEEED DRUM DRIVE	NAPĘD SIECZKARNI	1	230143	
18	STRAW CHOPPER DRIVE	NAPĘD ROZDRABNIACZA SŁOMY	1	618853	
19	UNLOADING AUGER DRIVE	NAPĘD ŚLIMAKA WYSYPU ZBIORNIKA	1	618805	

X - not in standard offer / brak w standardowej ofercie

ITEM / POZYCJA	APPLICATION	OPIS	QUANTITY OF V-BELTS IN DRIVE / ILOŚĆ PASÓW W ZESPOLE	OE PART NUMBER / NUMER KATALOGOWY	COMMENT / UWAGI
1	ENGINE FAN AND HYDRAULIC PUMP	NAPĘD WENTYLATORA SILNIKA I POMPY HYDRAULICZNEJ	2	855676	X
2	ALTERNATOR DRIVE	NAPĘD ALTERNATORA	2	572981	X
3	WATER PUMP DRIVE	NAPĘD POMPY WODNEJ	1	592711	X
4	ROTOR DRIVE - STANDARD	NAPĘD ROTORA - STANDARD	1	692974	X
4	ROTOR DRIVE - HIGH SPEED	NAPĘD ROTORA - WYSOKOOBROTOWY	1	692975	X
5	DISCHARGE BEATER DRIVE	NAPĘD WYŁADUNKU KOMORY	1	709806	
6	CLEAN GRAIN ELEVATOR DRIVE	NAPĘD PRZENOŚNIKA ZIARNA	1	230164	
6	CLEAN GRAIN ELEVATOR DRIVE	NAPĘD PRZENOŚNIKA ZIARNA	1	9604713	
7	HEADER DRIVE	NAPĘD HEDERA	1	682008	
8	HYDRAULIC REEL PUMP DRIVE	NAPĘD POMPY HYDRAULICZNEJ MOTOWIDEŁ	1	9609607	
9	ROTARY SCREEN DRIVE	NAPĘD KOSZA CHŁODNICY	1	859063	
10	SHAKER SHOE DRIVE	NAPĘD KOSZA SITOWEGO	1	774747	
12	FEEDER DRIVE	NAPĘD ZESPOŁU PRZENOŚNIKA POCHYLEGO	1	699268	
13	FIXED SPEED FEEDER DRIVE	PRZENOŚNIK	2	621367	
14	SPEED FEEDER	PRZENOŚNIK	1	9601511	X
15	MAIN SHAFT AND HYDROSTATIC PUMP DRIVE	NAPĘD MŁOCARNI	1	797979	X
16	AIR CONDITIONING COMPRESSOR	NAPĘD KOMPRESORA KLIMATYZACJI	2	626657	X
17	STRAW SPREADER DRIVE	NAPĘD ROZTRZĄSACZA SŁOMY	1	618040	
18	STRAW CHOPPER DRIVE	NAPĘD ROZDRABNIACZA SŁOMY	1	618853	
19	STRAW CHOPPER. INFEEED DRUM DRIVE	NAPĘD SIECZKARNI	1	230143	
20	UNLOADING AUGER DRIVE	NAPĘD ŚLIMAKA WYSYPU ZBIORNIKA	1	618805	

X - not in standard offer / brak w standardowej ofercie

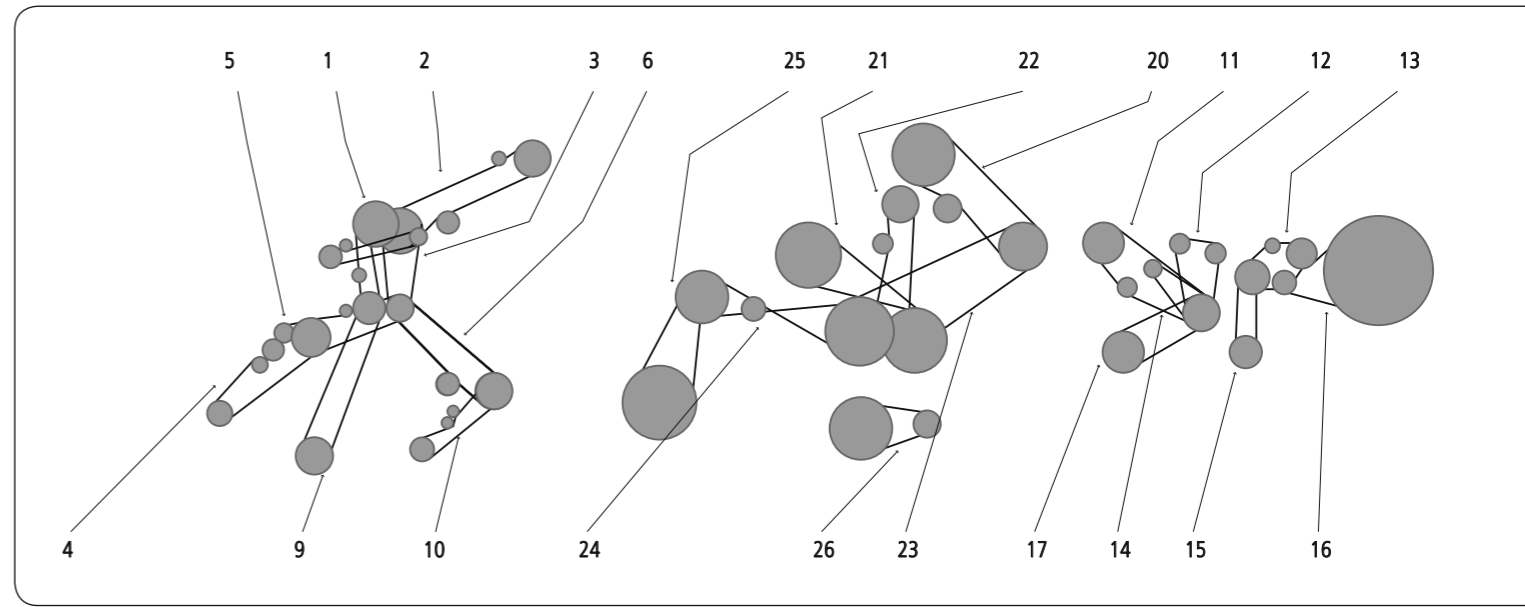
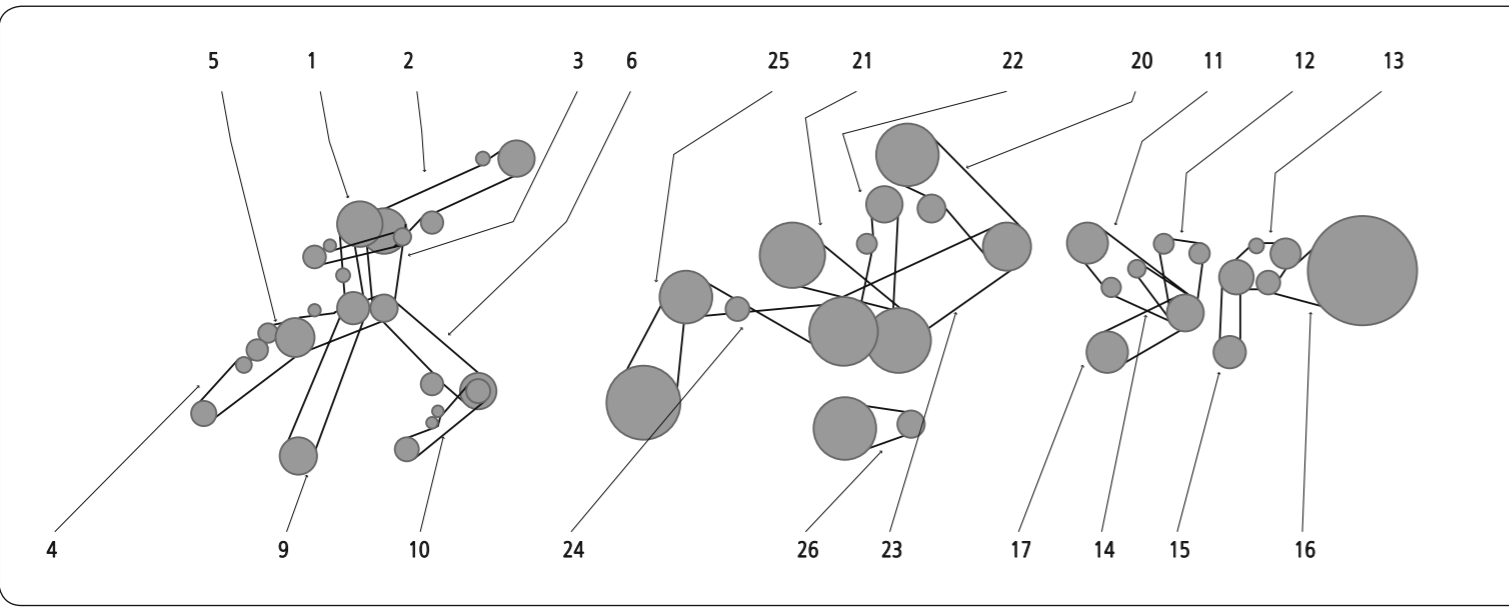


ITEM / POZYCJA	APPLICATION	OPIS	QUANTITY OF V-BELTS IN DRIVE / ILOŚĆ PASÓW W ZESPOLE	OE PART NUMBER / NUMER KATALOGOWY	COMMENT / UWAGI
1	HYDRAULIC PUMP DRIVE	NAPĘD POMPY HYDRAULICZNEJ	2	773255	X
2	ALTERNATOR DRIVE	NAPĘD ALTERNATORA	1	86513664	X
3	WATER PUMP DRIVE	NAPĘD POMPY WODNEJ	1	8652069	X
4	ROTOR DRIVE - STANDARD	NAPĘD ROTORA - STANDARD	1	86518568	X
4	ROTOR DRIVE - HIGH SPEED	NAPĘD ROTORA - WYSOKOBRZOTOWY	1	86518659	X
5	DISCHARGE BEATER DRIVE	NAPĘD WYŁADUNKU KOMORY	1	86520042	
6	CLEAN GRAIN ELEVATOR DRIVE	NAPĘD PRZENOŚNIKA ZIARNA	1	230164	
6	CLEAN GRAIN ELEVATOR DRIVE	NAPĘD PRZENOŚNIKA ZIARNA	1	9604713	
7	HEADER DRIVE	NAPĘD HEDERA	1	86503087	X
8	HYDRAULIC REEL PUMP DRIVE	NAPĘD POMPY HYDRAULICZNEJ MOTOWIDEŁ	1	9609607	
9	ROTARY SCREEN DRIVE	NAPĘD KOSZA CHŁODNICY	1	859063	
10	SHAKER SHOE DRIVE	NAPĘD KOSZA SITOWEGO	1	774747	
12	FEEDER DRIVE	NAPĘD ZESPOŁU PRZENOŚNIKA POCHYLEGO	1	699268	
13	FIXED SPEED FEEDER DRIVE	PRZENOŚNIK	1	9613963	
14	SPEED FEEDER	PRZENOŚNIK	1	9601511	X
15	MAIN SHAFT AND HYDROSTATIC PUMP DRIVE	NAPĘD MŁOCARNI	1	86514163	
16	AIR CONDITIONING COMPRESSOR	NAPĘD KOMPRESORA KLIMATYZACJI	1	577240	X
17	STRAW SPREADER DRIVE	NAPĘD ROZTRZĄSACZA SŁOMY	1	618040	
18	STRAW CHOPPER DRIVE	NAPĘD ROZDRABNIACZA SŁOMY	1	618853	
19	STRAW CHOPPER. INFEED DRUM DRIVE	NAPĘD SIECZKARNI	1	230143	
20	UNLOADING AUGER DRIVE	NAPĘD ŚLIMAKA WYSYPU ZBIORNIKA	1	86514256	X

X - not in standard offer / brak w standardowej ofercie

ITEM / POZYCJA	APPLICATION	OPIS	QUANTITY OF V-BELTS IN DRIVE / ILOŚĆ PASÓW W ZESPOLE	OE PART NUMBER / NUMER KATALOGOWY	COMMENT / UWAGI
1	BEATER TO INTERMEDIATE DRIVE	PRZENIESIENIE NAPĘDU MŁOCARNIA - WAŁEK POŚREDNI	1	80455865	
2	ENGINE TO BEATER SHAFT - HYDROSTATIC DRIVE	NAPĘD HYDROSTATYCZNY	1	80922872	
2	ENGINE TO BEATER SHAFT - MECHANICAL DRIVE	NAPĘD MECHANICZNY	1	80922911	
3	UNLOADER AUGER DRIVE	NAPĘD ŚLIMAKA WYSYPU ZBIORNIKA	1	80445640	
3	UNLOADER AUGER DRIVE	NAPĘD ŚLIMAKA WYSYPU ZBIORNIKA	1	89512971	
4	STRAW ELEVATOR DRIVE	NAPĘD PRZENOŚNIKA POCHYLEGO	2	80433746	
5	BEATER TO STRAW ELEVATOR	NAPĘD POŚREDNI PRZENOŚNIKA POCHYLEGO	1	80350236	
6	CLEANING SHOE DRIVE	NAPĘD KOSZA SITOWEGO	1	80448794	
9	GROUND SPEED DRIVE	NAPĘD JAZDY	1	80440780	
11	COOLING FAN DRIVE - INTERMEDIATE SHAFT	NAPĘD POŚREDNI WENTYLATORA CHŁODNICY	1	80913151	
12	WATER PUMP DRIVE	NAPĘD POMPY WODNEJ	1	80443634	
13	ROTARY DUST SCREEN DRIVE	NAPĘD ROTORA KOSZA CHŁODNICY	1	80913153	
14	ALTERNATOR DRIVE	NAPĘD ALTERNATORA	1	89501182	X
15	AIR CONDITIONING COMPRESSOR	NAPĘD KOMPRESORA KLIMATYZACJI	1	89506748	X
16	DUST SCREEN BELT	NAPĘD KOSZA CHŁODNICY	1	80923019	
17	HYDRAULIC PUMP TO ENGINE	NAPĘD POMPY HYDRAULICZNEJ Z SILNIKA	1	89508558	
20	BEATER DRIVE	NAPĘD MŁOCARNI	1	89513984	
21	ROTARY SEPARATOR DRIVE BELT	NAPĘD ZESPOŁU ROTORA SEPARUJĄCEGO	1	80754285	
22	GRAIN STORAGE DRIVE	NAPĘD ŚLIMAKA ZAŁADUNKU ZBOŻA	1	80433639	
23	DRUM TO INTERMEDIATE DRIVE	NAPĘD POŚREDNI BĘBNA	1	80434160	
24	STRAW WALKER INTERMEDIATE SHAFT DRIVE	NAPĘD POŚREDNI WYTRZĄSACZY	1	80754389	
25	STRAW WALKER DRIVE	NAPĘD WYTRZĄSACZY	1	80754388	
26	CLEANING FAN DRIVE	NAPĘD WIALNI CZYSZCZĄCEJ	1	89502654	

X - not in standard offer / brak w standardowej ofercie

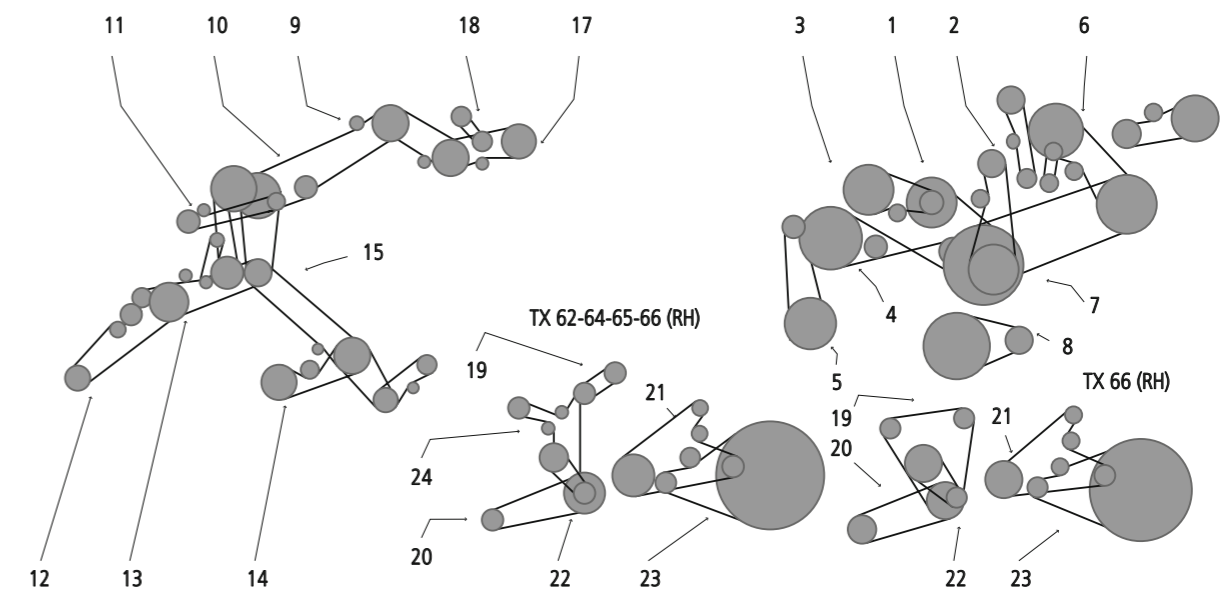
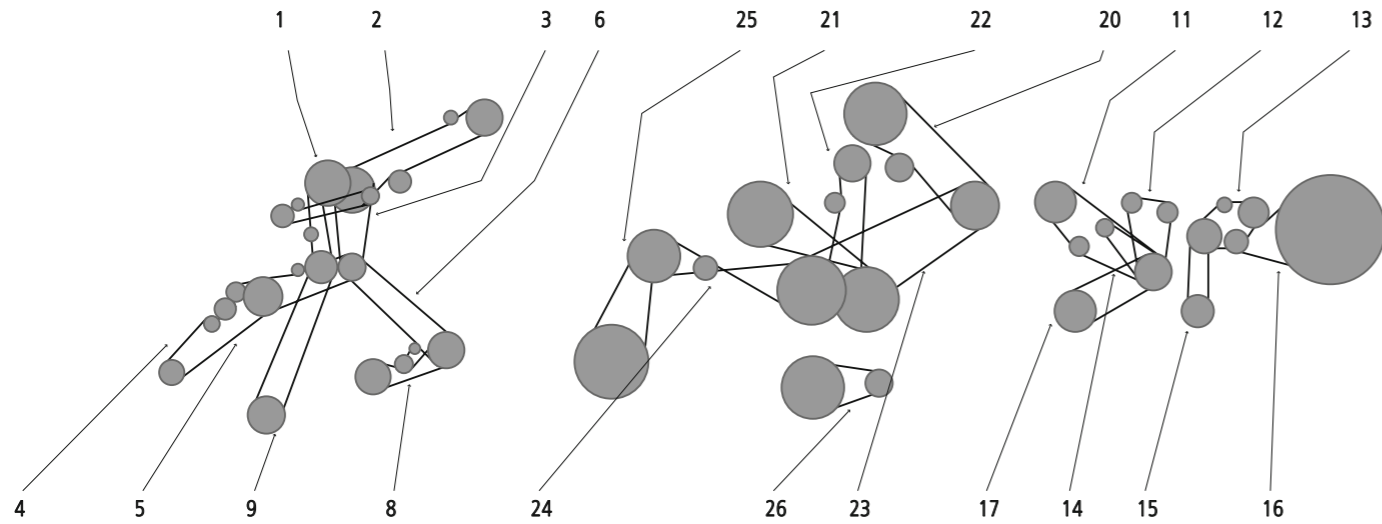


ITEM / POZYCJA	APPLICATION	OPIS	QUANTITY OF V-BELTS IN DRIVE / ILOŚĆ PASÓW W ZESPOLE	OE PART NUMBER / NUMER KATALOGOWY	COMMENT / UWAGI
0	BEATER DRIVE	NAPĘD MŁOCARNI	1	89513984	
1	BEATER TO INTERMEDIATE DRIVE	PRZENIESIENIE NAPĘDU MŁOCARNIA - WAŁEK POŚREDNI	1	80455865	
2	ENGINE TO BEATER SHAFT - HYDROSTAT DRIVE	NAPĘD HYDROSTATYCZNY	1	80922872	
2	ENGINE TO BEATER SHAFT - MECHANICAL DRIVE	NAPĘD MECHANICZNY	1	80922911	
3	UNLOADER AUGER DRIVE	NAPĘD ŚLIMAKA WYSYPU ZBIORNIKA	1	80445640	
3	UNLOADER AUGER DRIVE	NAPĘD ŚLIMAKA WYSYPU ZBIORNIKA	1	89512971	
4	STRAW ELEVATOR SIDE	NAPĘD PRZENOŚNIKA POCHYLEGO	2	80433746	
4	STRAW ELEVATOR SIDE	NAPĘD PRZENOŚNIKA POCHYLEGO	1	80454990	
5	BEATER TO STRAW ELEVATOR	NAPĘD POŚREDNI PRZENOŚNIKA POCHYLEGO	1	80434222	
5	BEATER TO STRAW ELEVATOR	NAPĘD POŚREDNI PRZENOŚNIKA POCHYLEGO	1	80350236	
6	CLEANING SHOE DRIVE BELT / FIXED SHOE	NAPĘD KOSZA SITOWEGO	1	80446780	
6	CLEANING SHOE DRIVE BELT /SELF-LEVELLING	NAPĘD KOSZA SITOWEGO	1	80448794	
9	GROUND SPEED DRIVE	NAPĘD JAZDY	1	80440780	
10	ECCENTRIC SHAFT DRIVE / FIXED SHOE ONLY	NAPĘD MIMOŚRODOWY	1	80230164	
11	COOLING FAN DRIVE - INTERMEDIATE SHAFT	NAPĘD POŚREDNI WENTYLATORA CHŁODNICY	1	80913151	
12	WATER PUMP DRIVE	NAPĘD POMPY WODNEJ	1	80443634	
13	ROTARY DUST SCREEN DRIVE	NAPĘD ROTORA KOSZA CHŁODNICY	1	80913153	
14	ALTERNATOR DRIVE	NAPĘD ALTERNATORA	1	89501182	X
15	AIR CONDITIONING COMPRESSOR	NAPĘD KOMPRESORA KLIMATYZACJI	1	89506748	X
16	DUST SCREEN DRIVE	NAPĘD KOSZA CHŁODNICY	1	80923019	
17	HYDRAULIC PUMP TO ENGINE	NAPĘD POMPY HYDRAULICZNEJ Z SILNIKA	1	89508558	
20	BEATER DRIVE	NAPĘD MŁOCARNI	1	80186347	
21	SEPARATOR DRIVE	NAPĘD SEPARATORA	1	80754285	
22	GRAIN STORAGE DRIVE	NAPĘD ŚLIMAKA ZAŁADUNKU ZBOŻA	1	80433639	
23	DRUM TO INTERMEDIATE SHAFT	NAPĘD POŚREDNI BĘBNA	1	80434160	
24	STRAW WALKER INTERMEDIATE SHAFT DRIVE	NAPĘD POŚREDNI WYTRZĄSACZY	1	80754389	
25	STRAW WALKER DRIVE	NAPĘD WYTRZĄSACZY	1	80754388	
26	CLEANING FAN DRIVE	NAPĘD WIALNI CZYSZCZĄCEJ	1	89502654	
26	CLEANING FAN DRIVE	NAPĘD WIALNI CZYSZCZĄCEJ	1	80919739	X
26	CLEANING FAN DRIVE	NAPĘD WIALNI CZYSZCZĄCEJ	1	80439832	

X - not in standard offer / brak w standardowej ofercie

ITEM / POZYCJA	APPLICATION	OPIS	QUANTITY OF V-BELTS IN DRIVE / ILOŚĆ PASÓW W ZESPOLE	OE PART NUMBER / NUMER KATALOGOWY	COMMENT / UWAGI
1	UNLOADER AUGER DRIVE	NAPĘD ŚLIMAKA WYSYPU ZBIORNIKA	1	80445640	
2	ENGINE TO BEATER SHAFT (HYDROSTATIC)	NAPĘD HYDROSTATYCZNY	1	80922872	
2	ENGINE TO BEATER SHAFT (MECHANICAL)	NAPĘD MECHANICZNY	1	80922911	
3	STRAW ELEVATOR DRIVE	NAPĘD PRZENOŚNIKA POCHYLEGO	2	80433746	
3	STRAW ELEVATOR SIDE	NAPĘD PRZENOŚNIKA POCHYLEGO	1	80454990	
4	BEATER TO REINFORCED STRAW ELEVATOR	NAPĘD POŚREDNI PRZENOŚNIKA POCHYLEGO	1	80350236	
4	BEATER TO STRAW ELEVATOR	NAPĘD POŚREDNI PRZENOŚNIKA POCHYLEGO	1	80434222	
4	BEATER TO STRAW ELEVATOR	NAPĘD POŚREDNI PRZENOŚNIKA POCHYLEGO	1	80743877	
5	GROUND SPEED DRIVE	NAPĘD JAZDY	1	80440780	
6	BEATER TO INTERMEDIATE DRIVE	PRZENIESIENIE NAPĘDU BĘBEN - NAPĘD POŚREDNI	1	80455865	
7	CLEANING SHOE DRIVE	NAPĘD KOSZA SITOWEGO	1	80448794	
8	COOLER	NAPĘD ROTORA KOSZA CHŁODNICY	1	80923019	
9	ALTERNATOR AND WATER PUMP DRIVE	NAPĘD ALTERNATORA, POMPY WODNEJ	1	89501863	X
10	COUNTERSHAFT	NAPĘD POŚREDNI KOSZA CHŁODNICY	1	80913153	
11	WATER PUMP DRIVE	NAPĘD POMPY WODNEJ	1	80443634	
12	AIR CONDITIONING COMPRESSOR	NAPĘD KOMPRESORA KLIMATYZACJI	1	89501182	X
13	SEPARATOR DRIVE	NAPĘD SEPARATORA	1	80754285	
15	AIR CONDITIONING COMPRESSOR	NAPĘD KOMPRESORA KLIMATYZACJI	1	80754165	X
16	HYDRAULIC PUMP DRIVE	NAPĘD POMPY HYDRAULICZNEJ	1	80921698	X
18	STRAW WALKER DRIVE	NAPĘD WYTRZĄSACZY	1	80754388	
19	STRAW WALKER INTERMEDIATE SHAFT DRIVE	NAPĘD POŚREDNI WYTRZĄSACZY	1	80754389	
20	CLEANING FAN DRIVE	NAPĘD WIALNI CZYSZCZĄCEJ	1	80439832	
21	GRAIN STORAGE DRIVE	NAPĘD ŚLIMAKA ZAŁADUNKU ZBOŻA	1	80433639	
22	DRUM TO INTERMEDIATE SHAFT	NAPĘD POŚREDNI BĘBNA	1	80434160	

X - not in standard offer / brak w standardowej ofercie



ITEM / POZYCJA	APPLICATION	OPIS	QUANTITY OF V-BELTS IN DRIVE / ILOŚĆ PASÓW W ZESPOLE	OE PART NUMBER / NUMER KATALOGOWY	COMMENT / UWAGI
1	BEATER TO INTERMEDIATE DRIVE	PRZENIESIENIE NAPĘDU BĘBEN -NAPĘD POŚREDNI	1	80455865	
2	ENGINE TO BEATER SHAFT	PRZENIESIENIE NAPĘDU	1	80922872	
3	UNLOADER AUGER DRIVE	NAPĘD ŚLIMAKA WYSYPU ZBIORNIKA	1	80445640	
3	UNLOADER AUGER DRIVE	NAPĘD ŚLIMAKA WYSYPU ZBIORNIKA	1	89512971	
4	STRAW ELEVATOR SIDE	NAPĘD PRZENOŚNIKA POCHYLEGO	2	89504547	
4	STRAW ELEVATOR SIDE	NAPĘD PRZENOŚNIKA POCHYLEGO	1	89504005	
5	BEATER TO STRAW ELEVATOR	NAPĘD POŚREDNI PRZENOŚNIKA POCHYLEGO	1	80434222	
5	BEATER TO STRAW ELEVATOR	NAPĘD POŚREDNI PRZENOŚNIKA POCHYLEGO	1	80350236	
6	ECCENTRIC SHAFT - CODE 108 / BLOCKED FRAME	NAPĘD WAŁKA MIMOŚRODU	1	80230164	
6	CLEANING SHOE DRIVE	NAPĘD ZESPOŁU KOSZA SITOWEGO	1	80448794	
8	ECCENTRIC SHAFT - CODE 109 / BLOCKED FRAME	NAPĘD WAŁKA MIMOŚRODU	1	89513620	
11	COOLING FAN DRIVE - INTERMEDIATE SHAFT	NAPĘD WAŁKA POŚREDNIEGO WENTYLATORA CHŁODNICY	1	80913151	
12	WATER PUMP DRIVE	NAPĘD POMPY WODNEJ	1	80443634	
13	ROTARY DUST SCREEN DRIVE	NAPĘD POŚREDNI KOSZA OBROTOWEGO CHŁODNICY	1	80913153	
14	ALTERNATOR DRIVE	NAPĘD ALTERNATORA	1	89501182	X
15	AIR CONDITIONING COMPRESSOR	NAPĘD KOMPRESORA KLIMATYZACJI	1	89506748	X
16	DUST SCREEN DRIVE	NAPĘD KOSZA OBROTOWEGO CHŁODNICY	1	80923019	
17	HYDRAULIC PUMP TO ENGINE	NAPĘD POMPY HYDRAULICZNEJ Z SILNIKA	1	89508557	
20	BEATER DRIVE	NAPĘD ZESPOŁU MŁOCARNI	1	80186347	
20	BEATER DRIVE	NAPĘD ZESPOŁU MŁOCARNI	1	89513984	
21	ROTARY SEPARATOR DRIVE BELT	NAPĘD SEPARATORA OBROTOWEGO	1	80754285	
22	GRAIN STORAGE DRIVE	NAPĘD ŚLIMAKA ZAŁADUNKU ZBOŻA	1	80433639	
23	DRUM TO INTERMEDIATE SHAFT	NAPĘD POŚREDNI BĘBNA	1	80434160	
24	STRAW WALKER INTERMEDIATE SHAFT DRIVE	NAPĘD POŚREDNI WYTRZĄSACZY	1	80754389	
25	STRAW WALKER DRIVE	NAPĘD WYTRZĄSACZY	1	80754388	
26	CLEANING FAN DRIVE	NAPĘD WIALNI CZYSZCZĄCEJ	1	89502654	

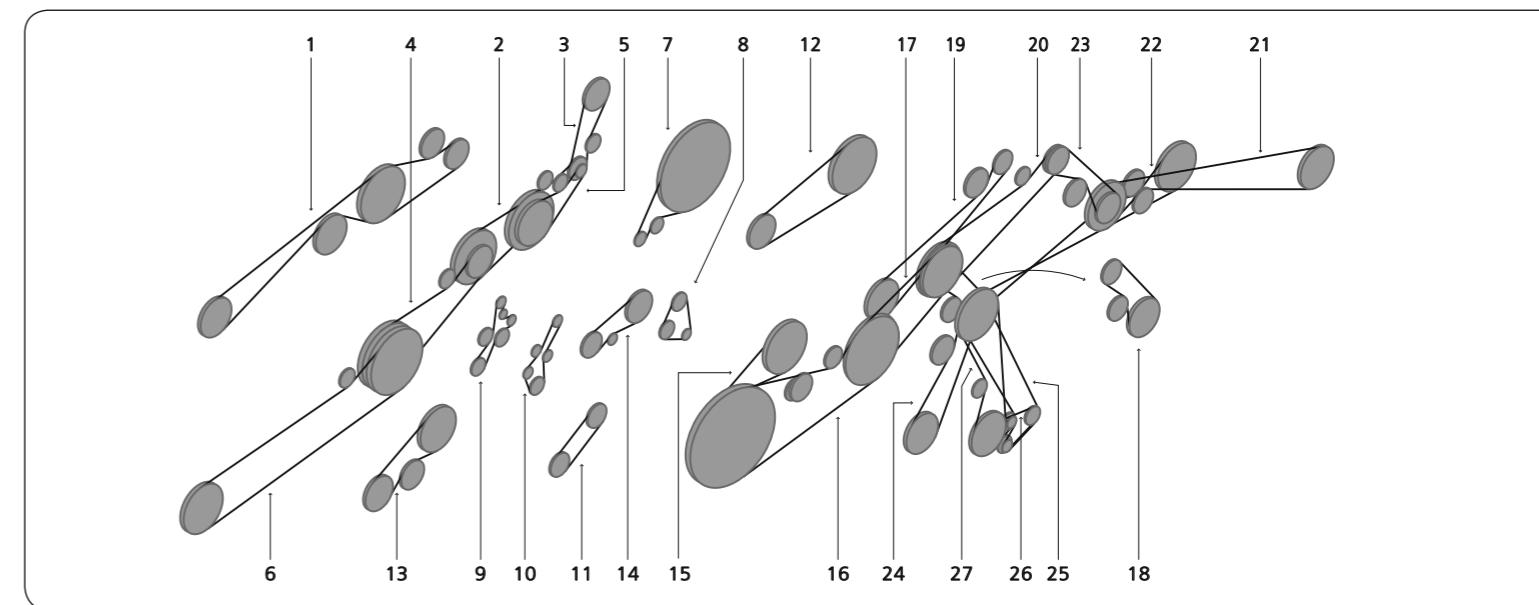
X - not in standard offer / brak w standardowej ofercie

ITEM / POZYCJA	APPLICATION	OPIS	QUANTITY OF V-BELTS IN DRIVE / ILOŚĆ PASÓW W ZESPOLE	OE PART NUMBER / NUMER KATALOGOWY	COMMENT / UWAGI
1	SEPARATOR DRIVE	NAPĘD SEPARATORA	1	84015531	
1	SEPARATOR DRIVE	NAPĘD SEPARATORA	1	89850770	
2	BEATER DRIVE	NAPĘD ZESPOŁU MŁOCARNI	1	84015852	
3	UNLOADER DRIVE	NAPĘD WYSYPU	1	84015852	
4	STRAW WALKER DRIVE	NAPĘD WYTRZĄSACZY	1	80754389	
5	STRAW WALKER	NAPĘD ZESPOŁU WYTRZĄSACZY	1	80754388	
6	BEATER DRIVE	NAPĘD ZESPOŁU MŁOCARNI	1	89513984	
7	DRUM - BEATER SHAFT	NAPĘD MŁOCARNI	1	80434160	
7	DRUM - BEATER SHAFT	NAPĘD MŁOCARNI	1	89832601	
8	CLEANING FAN DRIVE	NAPĘD WIALNI CZYSZCZĄCEJ	1	84023277	X
8	SELL LEVELLING	NAPĘD DMUCHAWY	1	89502654	
8	CLEANING FAN DRIVE	NAPĘD WIALNI CZYSZCZĄCEJ	1	84023278	X
9	HYDROSTATIC DRIVE	NAPĘD HYDROSTATYCZNY	1	80922911	
9	HYDROSTATIC DRIVE	NAPĘD HYDROSTATYCZNY	1	89831571	
10	BEATER DRIVE	NAPĘD MŁOCARNI	1	80455865	
11	UNLOADER DRIVE	NAPĘD WYSYPU	1	89814069	
12	STRAW ELEVATOR DRIVE	NAPĘD PRZENOŚNIKA POCHYLEGO	1	89593400	
12	STRAW ELEVATOR DRIVE	NAPĘD PRZENOŚNIKA POCHYLEGO	1	89593418	
12	STRAW ELEVATOR DRIVE	NAPĘD PRZENOŚNIKA POCHYLEGO	1	89593440	
12	STRAW ELEVATOR DRIVE	NAPĘD PRZENOŚNIKA POCHYLEGO	1	89593464	
13	CUTTING TABLE	NAPĘD POŚREDNI HEDERA	1	80434222	
13	CUTTING TABLE	NAPĘD POŚREDNI HEDERA	1	89832309	
14	SHAKER SHOE DRIVE	NAPĘD ZESPOŁU KOSZA SITOWEGO	1	89513620	
14	FIXED SHOE	NAPĘD ZESPOŁU KOSZA SITOWEGO	1	80230164	
15	SHAKER SHOE DRIVE	NAPĘD ZESPOŁU KOSZA SITOWEGO	1	80446780	
15	FIXED SHOE	NAPĘD ZESPOŁU KOSZA SITOWEGO	1	80448794	
16	STRAW CHOPPER DRIVE	NAPĘD ROZDRABNIACZA SŁOMY	1	84005417	
16	STRAW CHOPPER DRIVE	NAPĘD ROZDRABNIACZA SŁOMY	1	84004444	
17	STRAW CHOPPER DRIVE	NAPĘD ROZDRABNIACZA SŁOMY	1	84004443	
17	STRAW CHOPPER DRIVE	NAPĘD ROZDRABNIACZA SŁOMY	1	84017621	
18	CHAFF SPREADER DRIVE	NAPĘD ROZTRZĄSACZA PLEW	1	84018864	
19	AIR CONDITIONING COMPRESSOR	NAPĘD KOMPRESORA KLIMATYZACJI	1	89835876	
19	AIR CONDITIONING COMPRESSOR	NAPĘD KOMPRESORA KLIMATYZACJI	1	80754165	X
19	AIR CONDITIONING COMPRESSOR	NAPĘD KOMPRESORA KLIMATYZACJI	1	84007307	
20	HYDRAULIC PUMP DRIVE	NAPĘD POMPY HYDRAULICZNEJ	2	89839030	



ITEM / POZYCJA	APPLICATION	OPIS	QUANTITY OF V-BELTS IN DRIVE / ILOŚĆ PASÓW W ZESPOLE	OE PART NUMBER / NUMER KATALOGOWY	COMMENT / UWAGI
20	HYDRAULIC PUMP DRIVE	NAPĘD POMPY HYDRAULICZNEJ	1	89835816	
21	DUST SCREEN DRIVE	NAPĘD KOSZA CHŁODNICY	1	89833619	
21	DUST SCREEN DRIVE	NAPĘD KOSZA CHŁODNICY	1	89514311	
21	DUST SCREEN DRIVE	NAPĘD KOSZA CHŁODNICY	1	89817454	
21	DUST SCREEN DRIVE	NAPĘD KOSZA CHŁODNICY	1	89817959	
21	DUST SCREEN DRIVE	NAPĘD KOSZA CHŁODNICY	1	89850261	X
22	COUNTERSHAFT	NAPĘD POŚREDNI KOSZA CHŁODNICY	1	89833619	
22	AIR CONDITIONING COMPRESSOR	NAPĘD KOMPRESORA KLIMATYZACJI	1	84007307	
22	COUNTERSHAFT	NAPĘD POŚREDNI KOSZA CHŁODNICY	1	89514311	
22	COUNTERSHAFT	NAPĘD POŚREDNI KOSZA CHŁODNICY	1	84000838	
22	COUNTERSHAFT	NAPĘD POŚREDNI KOSZA CHŁODNICY	1	84037964	
22	ROTARY DUST SCREEN	NAPĘD KOSZA OBROTOWEGO CHŁODNICY	1	84041518	
23	ROTARY DUST SCREEN	NAPĘD KOSZA OBROTOWEGO CHŁODNICY	1	89818830	
23	ROTARY DUST SCREEN	NAPĘD KOSZA OBROTOWEGO CHŁODNICY	1	89835743	X
23	ROTARY DUST SCREEN	NAPĘD KOSZA OBROTOWEGO CHŁODNICY	1	84022715	X
24	Equipment engine drive	NAPĘD PODZESPOŁÓW SILNIKA	1	89835683	X
24	Equipment engine drive	NAPĘD PODZESPOŁÓW SILNIKA	1	84036070	X

X - not in standard offer / brak w standardowej ofercie



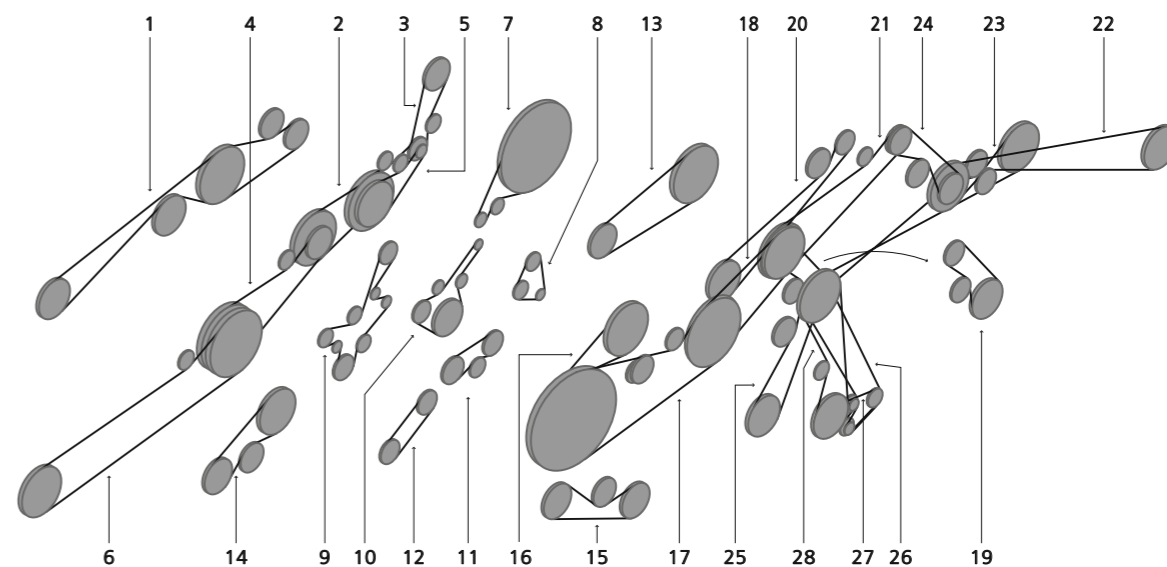
ITEM / POZYCJA	APPLICATION	OPIS	QUANTITY OF V-BELTS IN DRIVE / ILOŚĆ PASÓW W ZESPOLE	OE PART NUMBER / NUMER KATALOGOWY	COMMENT / UWAGI
1	HEADER DRIVE, START SERIAL: D600 FOR CX8030 ONLY	NAPĘD HEDERA, START SERIAL: D600 DO CX8030	1	84334995	
2	STRAW ELEVATOR DRIVE	NAPĘD PRZENOŚNIKA POCHYLEGO	1	84061279	
3	GRAIN ELEVATOR DRIVE	NAPĘD PRZENOŚNIKA ZIARNOWEGO	1	84073457	
4	HEADER DRIVE	NAPĘD HEDERA	1	84434295	
5	FAN	WENTYLATOR	1	84457079	
6	STRAW ELEVATOR DRIVE	NAPĘD PRZENOŚNIKA POCHYLEGO	1	84434260	
7	ROTARY SCREEN	NAPĘD KOSZA CHŁODNICY	1	84057085	
7	ROTARY SCREEN	NAPĘD KOSZA CHŁODNICY	1	87664428	
8	FOR CX8030, CX8040, CX8050, CX8060, CX8070 AND CX8080 ONLY	DO CX8030, CX8040, CX8050, CX8060, CX8070 I CX8080	1	9835816	
8	FOR CX8090 ONLY	DO CX8090	1	84459056	
9	"CRANKSHAFT - AIRCO COMPRESSOR - ALTERNATOR - WATER PUMP, SERIAL RANGE: -C571" FOR CX8030 ONLY	NAPĘD NOŻY - KOMPRESOR KLIMATYZACJI - ALTERNA- TOR - POMPA WODNA, SERIAL: -C571 DO CX8030	1	2855568	X
9	FOR ENGINE MODEL F4HE9684D*J101	DO SILNIKA MODEL F4HE9684D*J101			
9	"CRANKSHAFT - AIRCO COMPRESSOR - ALTERNATOR - WATER PUMP, SERIAL RANGE: -F572611" FOR CX8030 ONLY	NAPĘD NOŻY - KOMPRESOR KLIMATYZACJI - ALTERNA- TOR - POMPA WODNA, SERIAL: -F572611 DO CX8030	1	2855568	X
9	FOR ENGINE MODEL F4HE9687G*J100	DO SILNIKA MODEL F4HE9687G*J100			
9	"CRANKSHAFT - AIRCO COMPRESSOR - ALTERNATOR - WATER PUMP, START SERIAL: D612" FOR CX8030 ONLY	NAPĘD NOŻY - KOMPRESOR KLIMATYZACJI - ALTERNA- TOR - POMPA WODNA, START SERIAL: D612 DO CX8030	1	87699094	X
9	FOR ENGINE MODEL F4HE9687G*J100	DO SILNIKA MODEL F4HE9687G*J100			
10	CRANKSHAFTALTERNATOR, POMPA WODNA "FOR CX8040, CX8050, CX8060, CX8070 AND CX8080 ONLY" "FOR ENGINE MODELS F2CE9684A*E014 -B*E013 -C*E013 -D*E013 -A*E004 -D*E001 -B*E001 -C*E001"	NAPĘD NOŻY - ALTERNATOR - POMPA WODNA "DO CX8040, CX8050, CX8060, CX8070 I CX8080" "DO SILNIKA MODELE F2CE9684A*E014 -B*E013 -C*E013 -D*E013 -A*E004 -D*E001 -B*E001 -C*E001"	1	500371653	X
10	CRANKSHAFTALTERNATOR, POMPA WODNA FOR CX8090 ONLY FOR ENGINE MODEL F3AE0684P*E909 FOR ENGINE MODEL F3AE0684P*E906	NAPĘD NOŻY - ALTERNATOR - POMPA WODNA DO CX8090 DO SILNIKA MODEL F3AE0684P*E909 DO SILNIKA MODEL F3AE0684P*E906	1	500380059	X
11	ROTARY SCREEN	NAPĘD KOSZA CHŁODNICY	1	84061465	
12	FAN VARIATOR DRIVE FOR SELF-LEVELLING ONLY	NAPĘD WENTYLATORA WIALNI	1	84817627	
12	FAN VARIATOR DRIVE FOR FIXED SHOE ONLY	NAPĘD WENTYLATORA WIALNI TYLKO DO NAPĘDU ZESPOŁU KOSZA SITOWEGO	1	919739	X
12	FAN VARIATOR DRIVE	NAPĘD WENTYLATORA WIALNI	1	84023277	X

X - not in standard offer / brak w standardowej ofercie



ITEM / POZYCJA	APPLICATION	OPIS	QUANTITY OF V-BELTS IN DRIVE / ILOŚĆ PASÓW W ZESPOLE	OE PART NUMBER / NUMER KATALOGOWY	COMMENT / UWAGI
12	FAN VARIATOR DRIVE FOR SELF-LEVELLING ONLY	NAPĘD WENTYLATORA WIALNI	1	84023278	X
12	FAN VARIATOR DRIVE FOR FIXED SHOE ONLY	NAPĘD WENTYLATORA WIALNI TYLKO DO NAPĘDU ZESPOŁU KOSZA SITOWEGO	1	919739	X
12	FAN VARIATOR DRIVE	NAPĘD WENTYLATORA WIALNI	1	84023277	X
12	FAN VARIATOR DRIVE FOR FIXED SHOE ONLY	NAPĘD WENTYLATORA WIALNI TYLKO DO NAPĘDU ZESPOŁU KOSZA SITOWEGO	1	84023278	X
13	TAILINGS ELEVATOR	NAPĘD ELEWATORA KŁOSOWEGO	1	84058339	
13	TAILINGS ELEVATOR	NAPĘD ELEWATORA KŁOSOWEGO	1	84455757	
13	TAILINGS ELEVATOR	NAPĘD ELEWATORA KŁOSOWEGO	1	84196804	
14	"CRANKSHAFT, AIRCO COMPRESSOR, SERIAL RANGE: -C653" "FOR CX8040, CX8050, CX8060, CX8070 AND CX8080 ONLY" "FOR ENGINE MODELS F2CE9684A*E014 -B*E013 -C*E013 -D*E013 -A*E004 -D*E001 -B*E001 -C*E001"	"NAPĘD NOŻY, KOMPRESOR KLIMATYZACJI, SERIAL : -C653" "DO CX8040, CX8050, CX8060, CX8070 I CX8080" "DO SILNIKA MODELE F2CE9684A*E014 -B*E013 -C*E013 -D*E013 -A*E004 -D*E001 -B*E001 -C*E001"	1	84818007	X
14	CRANKSHAFT - AIRCO COMPRESSOR, START SERIAL: D564 "FOR CX8040, CX8050, CX8060, CX8070 AND CX8080 ONLY" "FOR ENGINE MODELS F2CE9684A*E014 -B*E013 -C*E013 -D*E013 -A*E004 -D*E001 -B*E001 -C*E001"	NAPĘD NOŻY, KOMPRESOR KLIMATYZACJI, START SERIAL: D564 "DO CX8040, CX8050, CX8060, CX8070 I CX8080" "DO SILNIKA MODELE F2CE9684A*E014 -B*E013 -C*E013 -D*E013 -A*E004 -D*E001 -B*E001 -C*E001"	1	504145203	X
14	CRANKSHAFT, AIRCO COMPRESSOR FOR CX8090 ONLY	NAPĘD NOŻY, KOMPRESOR KLIMATYZACJI DO CX8090	1	84818008	X
15	BEATER DRIVE	NAPĘD ZESPOŁU MŁOCARNI	1	84045256	
16	DRUM DRIVE WITHOUT REDUCTOR	NAPĘD BĘBNA MŁÓCĄCEGO BEZ REDUKTORA	1	84061615	
17	DRUM VARIATOR FOR CX8030, CX8040, CX8050, CX8060, CX8070 AND CX8080 ONLY	NAPĘD BĘBNA MŁÓCĄCEGO DO CX8030, CX8040, CX8050, CX8060, CX8070 I CX8080	1	84035748	X
17	DRUM VARIATOR FOR CX8090 ONLY	NAPĘD BĘBNA MŁÓCĄCEGO DO CX8090	1	87635650	X
18	INTERMEDIATE SHAFT FOR CLEANING DRIVE	NAPĘD POŚREDNI WIALNI CZYSZCZĄCEJ	1	84057392	
19	UNLOADER AUGER DRIVE	NAPĘD ŚLIMAKA WYSYPY ZBIORNIKA	1	84061293	
20	MAIN DRIVE, SERIAL RANGE: -C723	NAPĘD GŁÓWNY, SERIAL: -C723	1	84057914	
20	MAIN DRIVE, START SERIAL: D724	NAPĘD GŁÓWNY, START SERIAL: D724	1	84175582	
21	CHOPPER DRIVE FOR RUSSIA ONLY	NAPĘD SIECZKARNI ROSJA	1	84075635	
21	CHOPPER DRIVE, SERIAL RANGE: -C723	NAPĘD SIECZKARNI, SERIAL: -C723	1	87339998	
21	CHOPPER DRIVE, START SERIAL: D724	NAPĘD SIECZKARNI, START SERIAL: D724	1	84175580	
22	STRAW WALKER DRIVE	NAPĘD WYTRZĄSACZY	1	84057482	
23	CHOPPER DRIVE, SERIAL RANGE: -C723	NAPĘD SIECZKARNI, SERIAL: -C723	1	84075345	
23	CHOPPER DRIVE, START SERIAL: D724	NAPĘD SIECZKARNI, START SERIAL: D724	1	84175581	
24	SHAKER SHOE DRIVE, FIXED SHOE	NAPĘD KOSZA SITOWEGO	1	84432785	
25	TAILINGS ELEVATOR DRIVE, FIXED SHOE	NAPĘD ELEWATORA KŁOSOWEGO	1	84435035	
26	SHAKER SHOE DRIVE, SELF-LEVELLING	NAPĘD KOSZA SITOWEGO	1	84056913	
27	SHAKER SHOE	NAPĘD ZESPOŁU KOSZA SITOWEGO	1	84057874	

X - not in standard offer / brak w standardowej ofercie

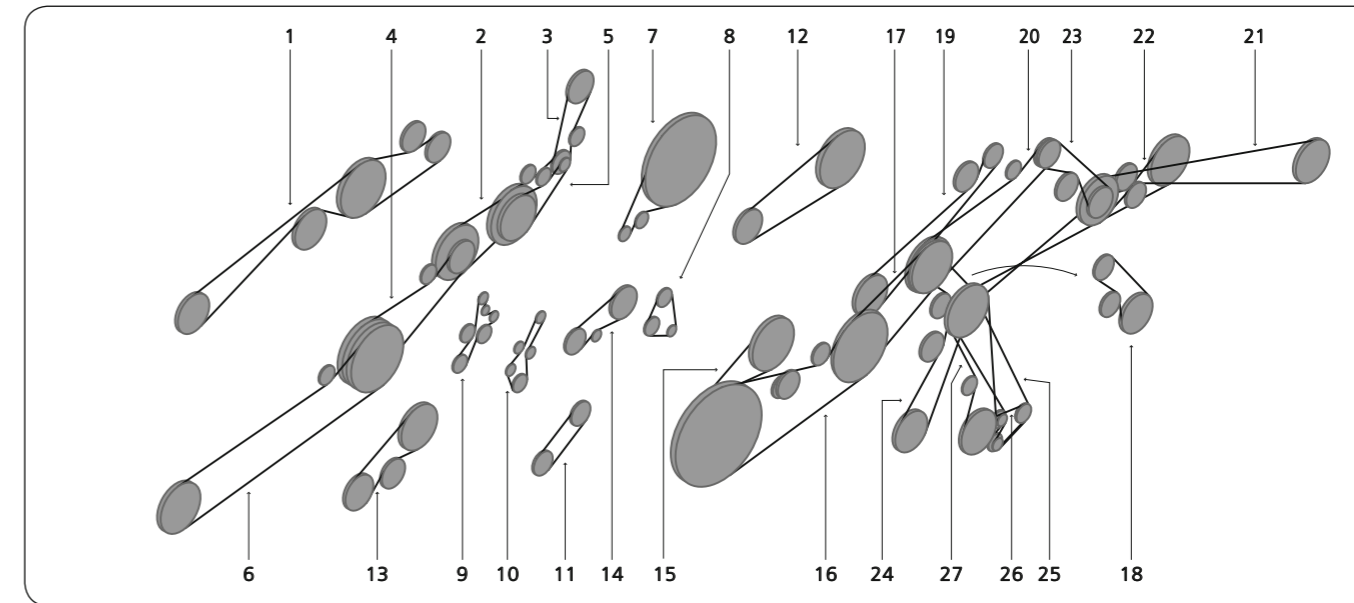


ITEM / POZYCJA	APPLICATION	OPIS	QUANTITY OF V-BELTS IN DRIVE / ILOŚĆ PASÓW W ZESPOLE	OE PART NUMBER / NUMER KATALOGOWY	COMMENT / UWAGI
1	HEADER DRIVE	NAPĘD HEDERA	1	84334995	
2	STRAW ELEVATOR DRIVE	NAPĘD PRZENOŚNIKA POCHYLEGO	1	84061279	
3	GRAIN ELEVATOR DRIVE	NAPĘD PRZENOŚNIKA ZIARNOWEGO	1	84073457	
4	HEADER DRIVE	NAPĘD HEDERA	1	84434295	
5	FAN	WENTYLATOR	1	84457079	
6	STRAW ELEVATOR DRIVE	NAPĘD PRZENOŚNIKA POCHYLEGO	1	84434260	
7	ROTARY SCREEN	NAPĘD KOSZA CHŁODNICY	1	87664428	
8	FAN DRIVE FOR CX8040E4, CX8050E4, CX8060E3, CX8070A3, CX8070A4, CX8070E3, CX8070E4, CX8880A3, CX8080A4, CX8080E3 AND CX8080E4 ONLY	NAPĘD WENTYLATORA DO CX8040E4, CX8050E4, CX8060E3, CX8070A3, CX8070A4, CX8070E3, CX8070E4, CX8880A3, CX8080A4, CX8080E3 I CX8080E4	1	9835816	
8	FAN DRIVE FOR CX8090E4 AND CX8090A4 ONLY	NAPĘD WENTYLATORA DO CX8090E4 I CX8090A4	1	84459056	
9	"CRANKSHAFT - AIRCO COMPRESSOR - ALTERNATOR - WATER PUMP DRIVE"	"NAPĘD NOŻY, KOMPRESOR KLIMATYZACJI - ALTERNATOR - NAPĘD POMPY WODNEJ"	1	84292639	X
10	ALTERNATOR DRIVE FOR CX8090E4 AND CX8090A4 ONLY	NAPĘD ALTERNATORA DO CX8090E4 I CX8090A4	1	84238513	X
11	AIRCO COMPRESSOR DRIVE FOR CX8090E4 AND CX8090A4 ONLY	NAPĘD KLIMATYZACJI DO CX8090E4 I CX8090A4	1	84238514	X
12	ROTARY SCREEN	NAPĘD KOSZA CHŁODNICY	1	84061465	
13	FAN VARIATOR DRIVE FOR SELF-LEVELLING ONLY	NAPĘD WENTYLATORA WIALNI	1	84817627	
13	FAN VARIATOR DRIVE FOR FIXED SHOE ONLY	NAPĘD WENTYLATORA WIALNI TYLKO DO NAPĘDU ZESPOŁU KOSZA SITOWEGO	1	919739	X
13	FAN VARIATOR DRIVE	NAPĘD WENTYLATORA WIALNI	1	84023277	X
13	FAN VARIATOR DRIVE FOR FIXED SHOE ONLY	NAPĘD WENTYLATORA WIALNI TYLKO DO NAPĘDU ZESPOŁU KOSZA SITOWEGO	1	84023278	X
14	TAILINGS ELEVATOR FOR CX8060E3, CX8070A3, CX8070A4, CX8070E3, CX8070E4, CX8080A3, CX8080A4, CX8080E3, CX8080E4, CX8090A4 AND CX8090E4 ONLY	NAPĘD ELEWATORA KŁOSOWEGO DO CX8060E3, CX8070A3, CX8070A4, CX8070E3, CX8070E4, CX8080A3, CX8080A4, CX8080E3, CX8080E4, CX8090A4 I CX8090E4	1	84196804	
14	START SERIAL: D914 FOR CX8060E3, CX8070A3, CX8070A4, CX8070E3, CX8070E4, CX8080A3, CX8080A4, CX8080E3, CX8080E4, CX8090A4 AND CX8090E4 ONLY	START SERIAL: D914 DO CX8060E3, CX8070A3, CX8070A4, CX8070E3, CX8070E4, CX8080A3, CX8080A4, CX8080E3, CX8080E4, CX8090A4 I CX8090E4	1	84332132	
15	SERIAL RANGE: -F840849	SERIAL: -F840849	1	87636309	
16	BEATER DRIVE	NAPĘD ZESPOŁU MŁOCARNI	1	84045256	

X - not in standard offer / brak w standardowej ofercie

ITEM / POZYCJA	APPLICATION	OPIS	QUANTITY OF V-BELTS IN DRIVE / ILOŚĆ PASÓW W ZESPOLE	OE PART NUMBER / NUMER KATALOGOWY	COMMENT / UWAGI
17	DRUM DRIVE WITHOUT REDUCTOR	NAPĘD BĘBNA MŁÓCĄCEGO BEZ REDUKTORA	1	84061615	
18	DRUM VARIATOR	NAPĘD BĘBNA MŁÓCĄCEGO	1	84035748	X
	FOR CX8040E4, CX8050E4, CX8060E3, CX8070A3, CX8070A4, CX8070E3, CX8070E4, CX0880A3, CX8080A4, CX8080E3 AND CX8080E4 ONLY	DO CX8040E4, CX8050E4, CX8060E3, CX8070A3, CX8070A4, CX8070E3, CX8070E4, CX0880A3, CX8080A4, CX8080E3 I CX8080E4			
18	DRUM VARIATOR	NAPĘD BĘBNA MŁÓCĄCEGO	1	87635650	X
	FOR CX8090E4 AND CX8090A4 ONLY	DO CX8090E4 I CX8090A4			
19	INTERMEDIATE SHAFT FOR CLEANING DRIVE	NAPĘD POŚREDNI WIALNI CZYSZCZĄCEJ	1	84057392	
20	UNLOADER AUGER DRIVE	NAPĘD ŚLIMAKA WYSYPY ZBIORNIKA	1	84061293	
21	MAIN DRIVE	NAPĘD GŁÓWNY	1	84057914	
	FOR CX8040E4 AND CX8050E4 ONLY	DO CX8040E4 I CX8050E4			
21	MAIN DRIVE	NAPĘD GŁÓWNY	1	84175582	
	FOR CX8060E3, CX8070A3, CX8070A4, CX8070E3, CX8070E4, CX8080A3, CX8080A4, CX8080E3, CX8080E4, CX8090A4 AND CX8090E4 ONLY	DO CX8060E3, CX8070A3, CX8070A4, CX8070E3, CX8070E4, CX8080A3, CX8080A4, CX8080E3, CX8080E4, CX8090A4 I CX8090E4			
22	CHOPPER DRIVE	NAPĘD SIECZKARNI	1	84075635	
	FOR RUSSIA ONLY	ROSJA			
22	CHOPPER DRIVE	NAPĘD SIECZKARNI	1	84175580	
23	STRAW WALKER DRIVE	NAPĘD WYTRZĄSACZY	1	84057482	
24	CHOPPER DRIVE	NAPĘD SIECZKARNI	1	84075345	
	FOR RUSSIA ONLY	ROSJA			
24	CHOPPER DRIVE	NAPĘD SIECZKARNI	1	84175581	
25	SHAKER SHOE DRIVE, FIXED SHOE	NAPĘD KOSZA SITOWEGO	1	84432785	
	FOR EU ONLY	DLA UE			
26	TAILINGS ELEVATOR DRIVE, FIXED SHOE	NAPĘD ELEWATORA KŁOSOWEGO	1	84435035	
	FOR EU ONLY	DLA UE			
27	"SHAKER SHOE DRIVE, SELF-LEVELLING, SERIAL RANGE: -C819"	"NAPĘD KOSZA SITOWEGO, SERIAL RANGE: -C819"	1	84056913	
27	"SHAKER SHOE DRIVE, SELF-LEVELLING, START SERIAL: D820"	"NAPĘD KOSZA SITOWEGO, START SERIAL: D820"	1	84332126	
28	SHAKER SHOE	NAPĘD ZESPOŁU KOSZA SITOWEGO	1	84057874	

X - not in standard offer / brak w standardowej ofercie

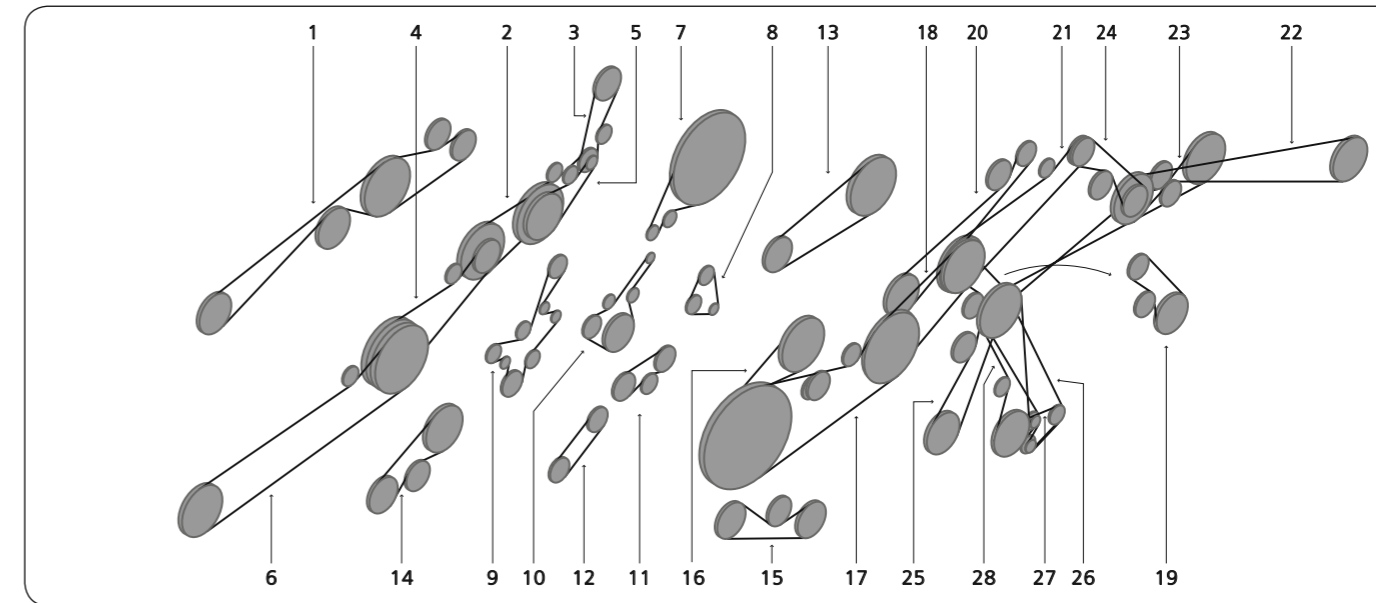


ITEM / POZYCJA	APPLICATION	OPIS	QUANTITY OF V-BELTS IN DRIVE / ILOŚĆ PASÓW W ZESPOLE	OE PART NUMBER / NUMER KATALOGOWY	COMMENT / UWAGI
1	HEADER DRIVE, START SERIAL: D600	NAPĘD HEDERA, START SERIAL: D600	1	84334995	
	FOR CX8030 ONLY	DO CX8030			
2	STRAW ELEVATOR DRIVE	NAPĘD PRZENOŚNIKA POCHYLEGO	1	84061279	
3	GRAIN ELEVATOR DRIVE	NAPĘD PRZENOŚNIKA ZIARNOWEGO	1	84073457	
4	HEADER DRIVE	NAPĘD HEDERA	1	84434295	
5	FAN	WENTYLATOR	1	84457079	
6	STRAW ELEVATOR DRIVE	NAPĘD PRZENOŚNIKA POCHYLEGO	1	84434260	
7	ROTARY SCREEN	NAPĘD KOSZA CHŁODNICY	1	84057085	
7	ROTARY SCREEN	NAPĘD KOSZA CHŁODNICY	1	87664428	
8	FOR CX8030, CX8040, CX8050, CX8060, CX8070 AND CX8080 ONLY	DO CX8030, CX8040, CX8050, CX8060, CX8070 I CX8080	1	9835816	
8	FOR CX8090 ONLY	DO CX8090	1	84459056	
9	"CRANKSHAFT - AIRCO COMPRESSOR - ALTERNATOR - WATER PUMP SERIAL RANGE: -C571"	NAPĘD NOŻY, KOMPRESOR KLIMATYZACJI - ALTERNATOR - POMPA WODNA, SERIAL: -C571	1	2855568	X
	FOR CX8030 ONLY	DO CX8030			
	FOR ENGINE MODEL F4HE9684D*J101	DO SILNIKA MODEL F4HE9684D*J101			
9	"CRANKSHAFT - AIRCO COMPRESSOR - ALTERNATOR - WATER PUMP SERIAL RANGE: -F572611"	NAPĘD NOŻY, KOMPRESOR KLIMATYZACJI - ALTERNATOR - POMPA WODNA, SERIAL: -F572611	1	2855568	X
	FOR CX8030 ONLY	DO CX8030			
	FOR ENGINE MODEL F4HE9687G*J100	DO SILNIKA MODEL F4HE9687G*J100			
9	"CRANKSHAFT - AIRCO COMPRESSOR - ALTERNATOR - WATER PUMP START SERIAL: D612"	NAPĘD NOŻY, KOMPRESOR KLIMATYZACJI - ALTERNATOR - POMPA WODNA, START SERIAL: D612	1	87699094	X
	FOR CX8030 ONLY	DO CX8030			
	FOR ENGINE MODEL F4HE9687G*J100	DO SILNIKA MODEL F4HE9687G*J100			
10	CRANKSHAFTALTERNATOR, POMPA WODNA	NAPĘD NOŻY - ALTERNATOR - POMPA WODNA	1	500371653	X
	"FOR CX8040, CX8050, CX8060, CX8070 AND CX8080 ONLY"	"DO CX8040, CX8050, CX8060, CX8070 I CX8080"			
	"FOR ENGINE MODELS F2CE9684A*E014 -B*E013 -C*E013 -D*E013 -A*E004 -D*E001 -B*E001 -C*E001"	"DO SILNIKA MODELE F2CE9684A*E014 -B*E013 -C*E013 -D*E013 -A*E004 -D*E001 -B*E001 -C*E001"			
10	CRANKSHAFTALTERNATOR, POMPA WODNA	NAPĘD NOŻY - ALTERNATOR - POMPA WODNA	1	500380059	X
	FOR CX8090 ONLY	DO CX8090			
	FOR ENGINE MODEL F3AE0684P*E909	DO SILNIKA MODEL F3AE0684P*E909			
	FOR ENGINE MODEL F3AE0684P*E906	DO SILNIKA MODEL F3AE0684P*E906			
11	ROTARY SCREEN	NAPĘD KOSZA CHŁODNICY	1	84061465	
12	FAN VARIATOR DRIVE	NAPĘD WENTYLATORA WIALNI	1	84817627	
	FOR SELF-LEVELLING ONLY				
12	FAN VARIATOR DRIVE	NAPĘD WENTYLATORA WIALNI	1	919739	X
	FOR FIXED SHOE ONLY	TYLKO DO NAPĘDU ZESPOŁU KOSZA SITOWEGO			
12	FAN VARIATOR DRIVE	NAPĘD WENTYLATORA WIALNI	1	84023277	X
12	FAN VARIATOR DRIVE	NAPĘD WENTYLATORA WIALNI	1	84023278	X

X - not in standard offer / brak w standardowej ofercie

ITEM / POZYCJA	APPLICATION	OPIS	QUANTITY OF V-BELTS IN DRIVE / ILOŚĆ PASÓW W ZESPOLE	OE PART NUMBER / NUMER KATALOGOWY	COMMENT / UWAGI
	FOR FIXED SHOE ONLY	TYLKO DO NAPĘDU ZESPOŁU KOSZA SITOWEGO			
13	TAILINGS ELEVATOR	NAPĘD ELEWATORA KŁOSOWEGO	1	84058339	
13	TAILINGS ELEVATOR	NAPĘD ELEWATORA KŁOSOWEGO	1	84455757	
13	TAILINGS ELEVATOR	NAPĘD ELEWATORA KŁOSOWEGO	1	84196804	
14	"CRANKSHAFT, AIRCO COMPRESSOR, SERIAL RANGE: -C653"	"NAPĘD NOŻY, KOMPRESOR KLIMATYZACJI, SERIAL: -C653"	1	84818007	X
	"FOR CX8040, CX8050, CX8060, CX8070 AND CX8080 ONLY"	"DO CX8040, CX8050, CX8060, CX8070 I CX8080"			
	"FOR ENGINE MODELS F2CE9684A*E014 -B*E013 -C*E013 -D*E013 -A*E004 -D*E001 -B*E001 -C*E001"	"DO SILNIKA MODELE F2CE9684A*E014 -B*E013 -C*E013 -D*E013 -A*E004 -D*E001 -B*E001 -C*E001"			
14	CRANKSHAFT - AIRCO COMPRESSOR, START SERIAL: D564	NAPĘD NOŻY, KOMPRESOR KLIMATYZACJI, START SERIAL: D564	1	504145203	X
	"FOR CX8040, CX8050, CX8060, CX8070 AND CX8080 ONLY"	"DO CX8040, CX8050, CX8060, CX8070 I CX8080"			
	"FOR ENGINE MODELS F2CE9684A*E014 -B*E013 -C*E013 -D*E013 -A*E004 -D*E001 -B*E001 -C*E001"	"DO SILNIKA MODELE F2CE9684A*E014 -B*E013 -C*E013 -D*E013 -A*E004 -D*E001 -B*E001 -C*E001"			
14	CRANKSHAFT, AIRCO COMPRESSOR	NAPĘD NOŻY, KOMPRESOR KLIMATYZACJI	1	84818008	X
	FOR CX8090 ONLY	DO CX8090			
15	BEATER DRIVE	NAPĘD ZESPOŁU MŁOCARNI	1	84045256	
16	DRUM DRIVE WITHOUT REDUCTOR	NAPĘD BĘBNA MŁÓCĄCEGO BEZ REDUKTORA	1	84061615	
17	DRUM VARIATOR	NAPĘD BĘBNA MŁÓCĄCEGO	1	84035748	X
	FOR CX8030, CX8040, CX8050, CX8060, CX8070 AND CX8080 ONLY	DO CX8030, CX8040, CX8050, CX8060, CX8070 I CX8080			
17	DRUM VARIATOR	NAPĘD BĘBNA MŁÓCĄCEGO	1	87635650	X
	FOR CX8090 ONLY	DO CX8090			
18	INTERMEDIATE SHAFT FOR CLEANING DRIVE	NAPĘD POŚREDNI WIALNI CZYSZCZĄCEJ	1	84057392	
19	UNLOADER AUGER DRIVE	NAPĘD ŚLIMAKA WYSYPU ZBIORNIKA	1	84061293	
20	MAIN DRIVE, SERIAL RANGE: -C723	NAPĘD GŁÓWNY, SERIAL: -C723	1	84057914	
20	MAIN DRIVE, START SERIAL: D724	NAPĘD GŁÓWNY, START SERIAL: D724	1	84175582	
21	CHOPPER DRIVE	NAPĘD SIECZKARNI	1	84075635	
	FOR RUSSIA ONLY	ROSIJA			
21	CHOPPER DRIVE, SERIAL RANGE: -C723	NAPĘD SIECZKARNI, SERIAL: -C723	1	87339998	
21	CHOPPER DRIVE, START SERIAL: D724	NAPĘD SIECZKARNI, START SERIAL: D724	1	84175580	
22	STRAW WALKER DRIVE	NAPĘD WYTRZĄSACZY	1	84057482	
23	CHOPPER DRIVE, SERIAL RANGE: -C723	NAPĘD SIECZKARNI, SERIAL: -C723	1	84075345	
23	CHOPPER DRIVE, START SERIAL: D724	NAPĘD SIECZKARNI, START SERIAL: D724	1	84175581	
24	SHAKER SHOE DRIVE, FIXED SHOE	NAPĘD KOSZA SITOWEGO	1	84432785	
25	TAILINGS ELEVATOR DRIVE, FIXED SHOE	NAPĘD ELEWATORA KŁOSOWEGO	1	84435035	
26	SHAKER SHOE DRIVE, SELF-LEVELLING	NAPĘD KOSZA SITOWEGO	1	84056913	
27	SHAKER SHOE	NAPĘD ZESPOŁU KOSZA SITOWEGO	1	84057874	

X - not in standard offer / brak w standardowej ofercie



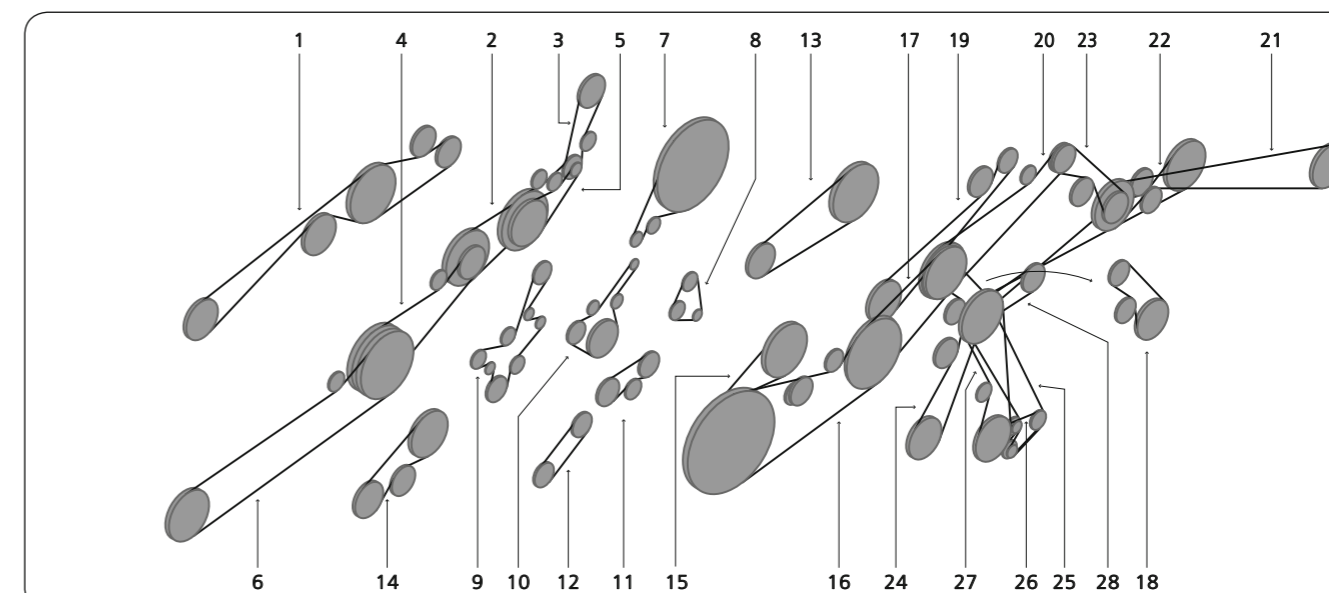
ITEM / POZYCJA	APPLICATION	OPIS	QUANTITY OF V-BELTS IN DRIVE / ILOŚĆ PASÓW W ZESPOLE	OE PART NUMBER / NUMER KATALOGOWY	COMMENT / UWAGI
1	HEADER DRIVE	NAPĘD HEDERA	1	84334995	
2	STRAW ELEVATOR DRIVE	NAPĘD PRZENOŚNIKA POCHYLEGO	1	84061279	
3	GRAIN ELEVATOR DRIVE	NAPĘD PRZENOŚNIKA ZIARNOWEGO	1	84073457	
4	HEADER DRIVE	NAPĘD HEDERA	1	84434295	
5	FAN	WENTYLATOR	1	84457079	
6	STRAW ELEVATOR DRIVE	NAPĘD PRZENOŚNIKA POCHYLEGO	1	84434260	
7	ROTARY SCREEN	NAPĘD KOSZA CHŁODNICY	1	87664428	
8	FAN DRIVE	NAPĘD WENTYLATORA	1	9835816	
	FOR CX8040E4, CX8050E4, CX8060E3, CX8070A3, CX8070A4, CX8070E3, CX8070E4, CX8080A3, CX8080A4, CX8080E3 AND CX8080E4 ONLY	DO CX8040E4, CX8050E4, CX8060E3, CX8070A3, CX8070A4, CX8070E3, CX8070E4, CX8080A3, CX8080A4, CX8080E3 I CX8080E4			
8	FAN DRIVE	NAPĘD WENTYLATORA	1	84459056	
	FOR CX8090E4 AND CX8090A4 ONLY	DO CX8090E4 I CX8090A4			
9	"CRANKSHAFT - AIRCO COMPRESSOR - ALTERNATOR - WATER PUMP DRIVE"	"NAPĘD NOŻY, KOMPRESOR KLIMATYZACJI - ALTERNATOR - POMPA WODNA DRIVE"	1	84292639	X
	FOR CX8040E4, CX8050E4, CX8060E3, CX8070A3, CX8070A4, CX8070E3, CX8070E4, CX8080A3, CX8080A4, CX8080E3 AND CX8080E4 ONLY	DO CX8040E4, CX8050E4, CX8060E3, CX8070A3, CX8070A4, CX8070E3, CX8070E4, CX8080A3, CX8080A4, CX8080E3 I CX8080E4			
10	ALTERNATOR DRIVE	NAPĘD ALTERNATORA	1	84238513	X
	FOR CX8090E4 AND CX8090A4 ONLY	DO CX8090E4 I CX8090A4			
11	AIRCO COMPRESSOR DRIVE	NAPĘD KLIMATYZACJI	1	84238514	X
	FOR CX8090E4 AND CX8090A4 ONLY	DO CX8090E4 I CX8090A4			
12	ROTARY SCREEN	NAPĘD KOSZA CHŁODNICY	1	84061465	
13	FAN VARIATOR DRIVE	NAPĘD WENTYLATORA WIALNI	1	84817627	
	FOR SELF-LEVELLING ONLY				
13	FAN VARIATOR DRIVE	NAPĘD WENTYLATORA WIALNI	1	919739	X
	FOR FIXED SHOE ONLY	TYLKO DO NAPĘDU ZESPOŁU KOSZA SITOWEGO			
13	FAN VARIATOR DRIVE	NAPĘD WENTYLATORA WIALNI	1	84023277	X
13	FAN VARIATOR DRIVE	NAPĘD WENTYLATORA WIALNI	1	84023278	X
	FOR FIXED SHOE ONLY	TYLKO DO NAPĘDU ZESPOŁU KOSZA SITOWEGO			
14	TAILINGS ELEVATOR	NAPĘD ELEWATORA KŁOSOWEGO	1	84196804	
	FOR CX8060E3, CX8070A3, CX8070A4, CX8070E3, CX8070E4, CX8080A3, CX8080A4, CX8080E3, CX8080E4, CX8090A4 AND CX8090E4 ONLY	DO CX8060E3, CX8070A3, CX8070A4, CX8070E3, CX8070E4, CX8080A3, CX8080A4, CX8080E3, CX8080E4, CX8090A4 I CX8090E4			
14	START SERIAL: D914	START SERIAL: D914	1	84332132	
	FOR CX8060E3, CX8070A3, CX8070A4, CX8070E3, CX8070E4, CX8080A3, CX8080A4, CX8080E3, CX8080E4, CX8090A4 AND CX8090E4 ONLY	DO CX8060E3, CX8070A3, CX8070A4, CX8070E3, CX8070E4, CX8080A3, CX8080A4, CX8080E3, CX8080E4, CX8090A4 I CX8090E4			
15	SERIAL RANGE: -F840849	SERIAL: -F840849	1	87636309	
16	BEATER DRIVE	NAPĘD ZESPOŁU MŁOCARNI	1	84045256	
17	DRUM DRIVE WITHOUT REDUCTOR	NAPĘD BĘBNA MŁÓCĄCEGO BEZ REDUKTORA	1	84061615	

X - not in standard offer / brak w standardowej ofercie



ITEM / POZYCJA	APPLICATION	OPIS	QUANTITY OF V-BELTS IN DRIVE / ILOŚĆ PASÓW W ZESPOLE	OE PART NUMBER / NUMER KATALOGOWY	COMMENT / UWAGI
18	DRUM VARIATOR FOR CX8040E4, CX8050E4, CX8060E3, CX8070A3, CX8070A4, CX8070E3, CX8070E4, CX0880A3, CX8080A4, CX8080E3 AND CX8080E4 ONLY	NAPĘD BĘBNA MŁÓCĄCEGO DO CX8040E4, CX8050E4, CX8060E3, CX8070A3, CX8070A4, CX8070E3, CX8070E4, CX0880A3, CX8080A4, CX8080E3 I CX8080E4	1	84035748	X
18	DRUM VARIATOR FOR CX8090E4 AND CX8090A4 ONLY	NAPĘD BĘBNA MŁÓCĄCEGO DO CX8090E4 I CX8090A4	1	87635650	X
19	INTERMEDIATE SHAFT FOR CLEANING DRIVE	NAPĘD POŚREDNI WIALNI CZYSZCZĄCEJ	1	84057392	
20	UNLOADER AUGER DRIVE	NAPĘD ŚLIMAKA WYSYPY ZBIORNIKA	1	84061293	
21	MAIN DRIVE FOR CX8040E4 AND CX8050E4 ONLY	NAPĘD GŁÓWNY DO CX8040E4 I CX8050E4	1	84057914	
21	MAIN DRIVE FOR CX8060E3, CX8070A3, CX8070A4, CX8070E3, CX8070E4, CX8080A3, CX8080A4, CX8080E3, CX8080E4, CX8090A4 AND CX8090E4 ONLY	NAPĘD GŁÓWNY DO CX8060E3, CX8070A3, CX8070A4, CX8070E3, CX8070E4, CX8080A3, CX8080A4, CX8080E3, CX8080E4, CX8090A4 I CX8090E4	1	84175582	
22	CHOPPER DRIVE FOR RUSSIA ONLY	NAPĘD SIECZKARNI ROSIJA	1	84075635	
22	CHOPPER DRIVE	NAPĘD SIECZKARNI	1	84175580	
23	STRAW WALKER DRIVE	NAPĘD WYTRZĄSACZY	1	84057482	
24	CHOPPER DRIVE FOR RUSSIA ONLY	NAPĘD SIECZKARNI ROSIJA	1	84075345	
24	CHOPPER DRIVE	NAPĘD SIECZKARNI	1	84175581	
25	SHAKER SHOE DRIVE, FIXED SHOE FOR EU ONLY	NAPĘD KOSZA SITOWEGO DLA UE	1	84432785	
26	TAILINGS ELEVATOR DRIVE, FIXED SHOE FOR EU ONLY	NAPĘD ELEWATORA KŁOSOWEGO DLA UE	1	84435035	
27	"SHAKER SHOE DRIVE, SELF-LEVELLING, SERIAL RANGE: -C819"	"NAPĘD KOSZA SITOWEGO, SERIAL: -C819"	1	84056913	
27	"SHAKER SHOE DRIVE, SELF-LEVELLING, START SERIAL: D820"	"NAPĘD KOSZA SITOWEGO, START SERIAL: D820"	1	84332126	
28	SHAKER SHOE	NAPĘD ZESPOŁU KOSZA SITOWEGO	1	84057874	

X - not in standard offer / brak w standardowej ofercie

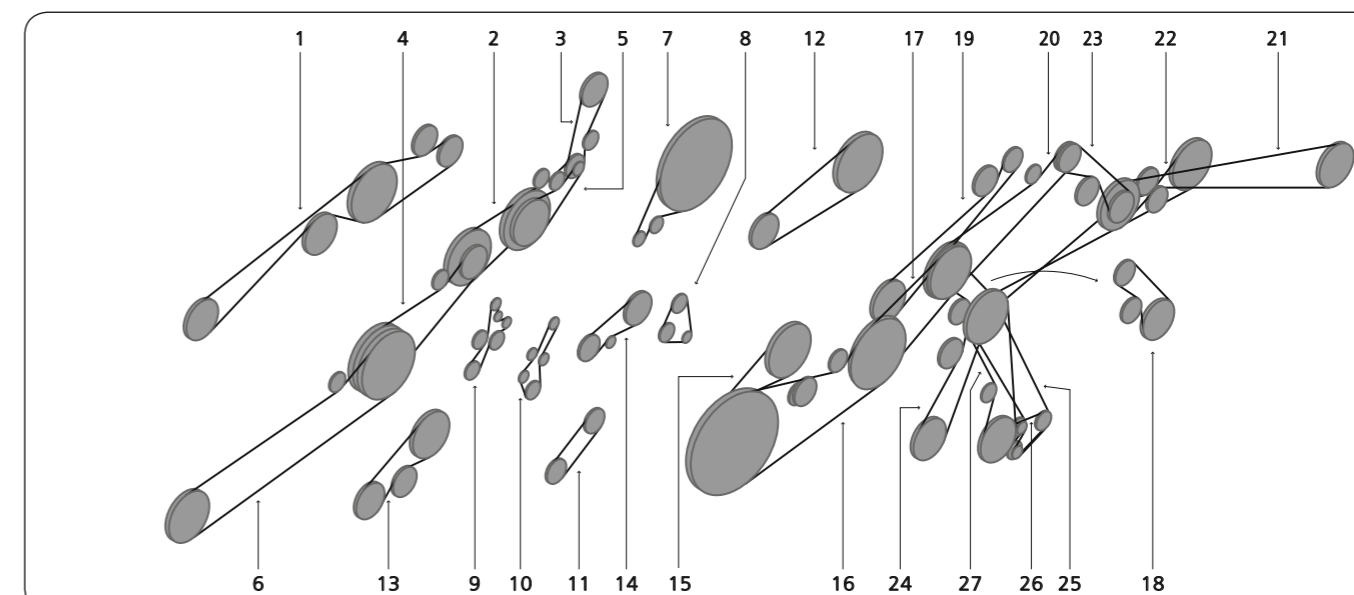


ITEM / POZYCJA	APPLICATION	OPIS	QUANTITY OF V-BELTS IN DRIVE / ILOŚĆ PASÓW W ZESPOLE	OE PART NUMBER / NUMER KATALOGOWY	COMMENT / UWAGI
1	HEADER DRIVE, 92 KW	NAPĘD HEDERA, 92 KW	1	84334995	
1	HEADER DRIVE, 120 KW	NAPĘD HEDERA, 120 KW	1	84522809	X
2	STRAW ELEVATOR DRIVE	NAPĘD PRZENOŚNIKA POCHYLEGO	1	84061279	
3	GRAIN ELEVATOR DRIVE	NAPĘD PRZENOŚNIKA ZIARNOWEGO	1	84073457	
4	HEADER DRIVE	NAPĘD HEDERA	1	84168012	X
5	FAN	WENTYLATOR	1	84457079	
6	STRAW ELEVATOR DRIVE	NAPĘD PRZENOŚNIKA POCHYLEGO	1	84434260	
7	ROTARY SCREEN	NAPĘD KOSZA CHŁODNICY	1	87664428	
8	FAN DRIVE FOR CX7080E4, CX7090E4, CX7090T4, CX8070I3 AND CX8070E4 ONLY	NAPĘD WENTYLATORA DO CX7080E4, CX7090E4, CX7090T4, CX8070I3 I CX8070E4	1	9835816	
8	FAN DRIVE FOR CX8080I3, CX8080K3, CX8080E4, CX8080T4, CX8080A4, CX8090E4, CX8090T4 AND CX8090A4 ONLY	NAPĘD WENTYLATORA DO CX8080I3, CX8080K3, CX8080E4, CX8080T4, CX8080A4, CX8090E4, CX8090T4 I CX8090A4	1	84459056	
9	"CRANKSHAFT - AIRCO COMPRESSOR - ALTERNATOR - WATER PUMP DRIVE"	NAPĘD NOŻY, KOMPRESOR KLIMATYZACJI - ALTERNATOR - POMPA WODNA	1	84292639	X
10	ALTERNATOR DRIVE FOR CX7080E4, CX7090E4, CX7090T4, CX8080I3, CX8080K3, CX8080E4, CX8080T4 AND CX8080A4 ONLY	NAPĘD ALTERNATORA DO CX7080E4, CX7090E4, CX7090T4, CX8080I3, CX8080K3, CX8080E4, CX8080T4 I CX8080A4	1	84238513	X
11	AIRCO COMPRESSOR DRIVE FOR CX8090E4, CX8090T4 AND CX8090A4 ONLY	NAPĘD KLIMATYZACJI DO CX8090E4, CX8090T4 I CX8090A4	1	84238514	X
12	ROTARY SCREEN	NAPĘD KOSZA CHŁODNICY	1	84061465	
13	FAN VARIATOR DRIVE FOR SELF-LEVELLING ONLY	NAPĘD WENTYLATORA WIALNI	1	87683178	X
13	FAN VARIATOR DRIVE FOR FIXED SHOE ONLY	NAPĘD WENTYLATORA WIALNI	1	919739	X
13	FAN VARIATOR DRIVE FOR FIXED SHOE ONLY	TYLKO DO NAPĘDU ZESPOŁU KOSZA SITOWEGO			
13	FAN VARIATOR DRIVE FOR FIXED SHOE ONLY	NAPĘD WENTYLATORA WIALNI	1	84023278	X
13	FAN VARIATOR DRIVE FOR FIXED SHOE ONLY	TYLKO DO NAPĘDU ZESPOŁU KOSZA SITOWEGO			
14	TAILINGS ELEVATOR FOR CX8070I3, CX8070E4, CX8080I3, CX8080K3, CX8080E4, CX8080T4, CX8080A4, CX8090E4, CX8090T4 AND CX8090A4 ONLY	NAPĘD ELEWATORA KŁOSOWEGO DO CX8070I3, CX8070E4, CX8080I3, CX8080K3, CX8080E4, CX8080T4, CX8080A4, CX8090E4, CX8090T4 I CX8090A4	1	84332132	
15	BEATER DRIVE	NAPĘD ZESPOŁU MŁOCARNI	1	84045256	
16	DRUM DRIVE WITHOUT REDUCTOR	NAPĘD BĘBNA MŁÓCĄCEGO BEZ REDUKTORA	1	84061615	
17	DRUM VARIATOR FOR CX7080E4, CX7090E4, CX7090T4, CX8070I3, CX8070E4, CX8080I3, CX8080K3, CX8080E4, CX8080T4 AND CX8080A4 ONLY	NAPĘD BĘBNA MŁÓCĄCEGO DO CX7080E4, CX7090E4, CX7090T4, CX8070I3, CX8070E4, CX8080I3, CX8080K3, CX8080E4, CX8080T4 I CX8080A4	1	84035748	X
17	DRUM VARIATOR FOR CX8090E4, CX8090T4 AND CX8090A4 ONLY	NAPĘD BĘBNA MŁÓCĄCEGO DO CX8090E4, CX8090T4 I CX8090A4	1	87635650	X

X - not in standard offer / brak w standardowej ofercie

ITEM / POZYCJA	APPLICATION	OPIS	QUANTITY OF V-BELTS IN DRIVE / ILOŚĆ PASÓW W ZESPOLE	OE PART NUMBER / NUMER KATALOGOWY	COMMENT / UWAGI
18	INTERMEDIATE SHAFT FOR CLEANING DRIVE	NAPĘD POŚREDNI WIALNI CZYSZCZĄCEJ	1	84057392	
19	UNLOADER AUGER DRIVE	NAPĘD ŚLIMAKA WYSYPU ZBIORNIKA	1	84061293	
20	MAIN DRIVE	NAPĘD GŁÓWNY	1	84057914	
	FOR CX7080E4, CX7090E4 AND CX7090T4 ONLY	DO CX7080E4, CX7090E4 I CX7090T4			
20	MAIN DRIVE	NAPĘD GŁÓWNY	1	84175582	
	FOR CX8070I3, CX8070E4, CX8080I3, CX8080K3, CX8080E4, CX8080T4, CX8080A4, CX8090E4, CX8090T4 AND CX8090A4 ONLY	DO CX8070I3, CX8070E4, CX8080I3, CX8080K3, CX8080E4, CX8080T4, CX8080A4, CX8090E4, CX8090T4 I CX8090A4			
21	CHOPPER DRIVE	NAPĘD SIECZKARNI	1	84175580	
22	STRAW WALKER DRIVE	NAPĘD WYTRZĄSACZY	1	84057482	
22			1	47413433	X
23	CHOPPER DRIVE	NAPĘD SIECZKARNI	1	84175581	
24	SHAKER SHOE DRIVE, FIXED SHOE	NAPĘD KOSZA SITOWEGO	1	84432785	
	FOR CX7080E4, CX7090E4, CX8070I3, CX8070E4, CX8080I3, CX8080K3, CX8080E4 AND CX8090E4 ONLY	DO CX7080E4, CX7090E4, CX8070I3, CX8070E4, CX8080I3, CX8080K3, CX8080E4 I CX8090E4			
25	TAILINGS ELEVATOR DRIVE, FIXED SHOE	NAPĘD ELEWATORA KŁOSOWEGO	1	84435035	
	FOR CX7080E4, CX7090E4, CX8070I3, CX8070E4, CX8080I3, CX8080K3, CX8080E4 AND CX8090E4 ONLY	DO CX7080E4, CX7090E4, CX8070I3, CX8070E4, CX8080I3, CX8080K3, CX8080E4 I CX8090E4			
26	SHAKER SHOE DRIVE, SELF-LEVELLING	NAPĘD KOSZA SITOWEGO	1	84353448	X
27	SHAKER SHOE	NAPĘD ZESPOŁU KOSZA SITOWEGO	1	47419045	X
28	STRAW WALKER VARIATOR	WYTRZĄSACZ	1	47406268	X

X - not in standard offer / brak w standardowej ofercie



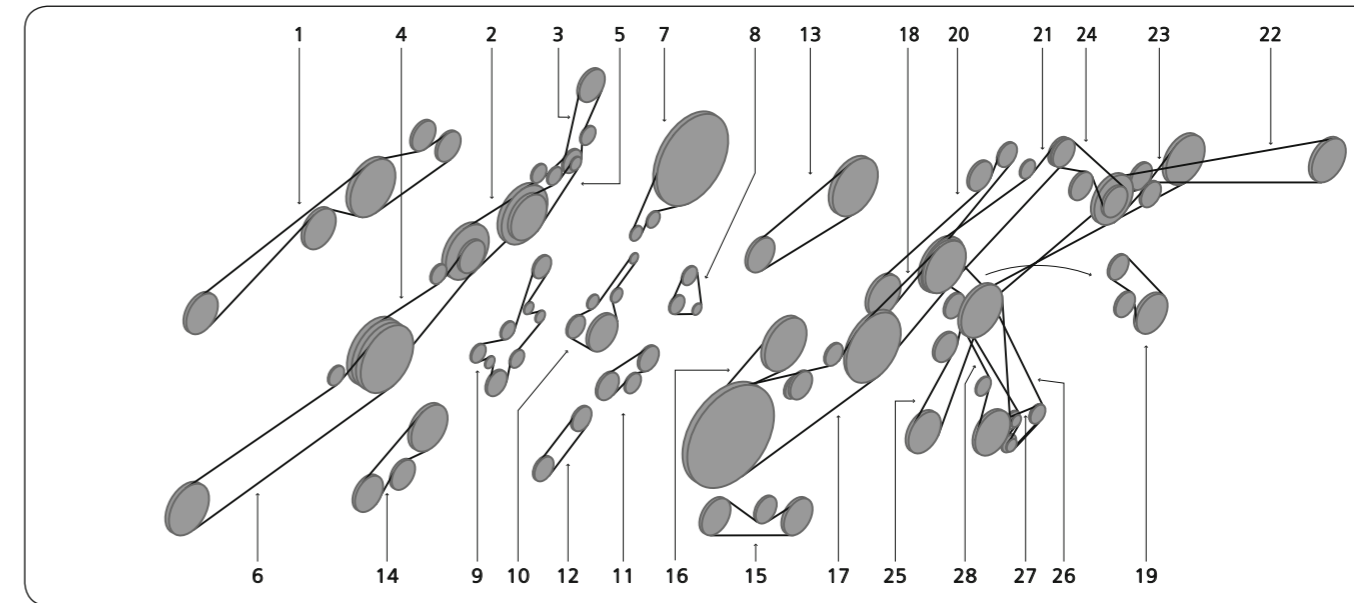
ITEM / POZYCJA	APPLICATION	OPIS	QUANTITY OF V-BELTS IN DRIVE / ILOŚĆ PASÓW W ZESPOLE	OE PART NUMBER / NUMER KATALOGOWY	COMMENT / UWAGI
1	HEADER DRIVE, START SERIAL: D600 FOR CX8030 ONLY	NAPĘD HEDERA, START SERIAL: D600 DO CX8030	1	84334995	
2	STRAW ELEVATOR DRIVE	NAPĘD PRZENOŚNIKA POCHYLEGO	1	84061279	
3	GRAIN ELEVATOR DRIVE	NAPĘD PRZENOŚNIKA ZIARNOWEGO	1	84073457	
4	HEADER DRIVE	NAPĘD HEDERA	1	84434295	
5	FAN	WENTYLATOR	1	84457079	
6	STRAW ELEVATOR DRIVE	NAPĘD PRZENOŚNIKA POCHYLEGO	1	84434260	
7	ROTARY SCREEN	NAPĘD KOSZA CHŁODNICY	1	84057085	
7	ROTARY SCREEN	NAPĘD KOSZA CHŁODNICY	1	87664428	
8	FOR CX8030, CX8040, CX8050, CX8060, CX8070 AND CX8080 ONLY	DO CX8030, CX8040, CX8050, CX8060, CX8070 I CX8080	1	9835816	
8	FOR CX8090 ONLY	DO CX8090	1	84459056	
9	"CRANKSHAFT - AIRCO COMPRESSOR - ALTERNATOR - WATER PUMP SERIAL RANGE: -C571" FOR CX8030 ONLY	NAPĘD NOŻY, KOMPRESOR KLIMATYZACJI, ALTERNATOR, POMPA WODNA, SERIAL: -C571 DO CX8030	1	2855568	X
9	FOR ENGINE MODEL F4HE9684D*J101	DO SILNIKA MODEL F4HE9684D*J101			
9	"CRANKSHAFT - AIRCO COMPRESSOR - ALTERNATOR - WATER PUMP SERIAL RANGE: -F572611" FOR CX8030 ONLY	NAPĘD NOŻY, KOMPRESOR KLIMATYZACJI, ALTERNATOR, POMPA WODNA, SERIAL: -F572611 DO CX8030	1	2855568	X
9	FOR ENGINE MODEL F4HE9687G*J100	DO SILNIKA MODEL F4HE9687G*J100			
9	"CRANKSHAFT - AIRCO COMPRESSOR - ALTERNATOR - WATER PUMP START SERIAL: D612" FOR CX8030 ONLY	NAPĘD NOŻY, KOMPRESOR KLIMATYZACJI, ALTERNATOR, POMPA WODNA, START SERIAL: D612 DO CX8030	1	87699094	X
9	FOR ENGINE MODEL F4HE9687G*J100	DO SILNIKA MODEL F4HE9687G*J100			
10	CRANKSHAFTALTERNATOR, POMPA WODNA "FOR CX8040, CX8050, CX8060, CX8070 AND CX8080 ONLY" "FOR ENGINE MODELS F2CE9684A*E014 -B*E013 -C*E013 -D*E013 -A*E004 -D*E001 -B*E001 -C*E001"	NAPĘD NOŻY - ALTERNATOR - POMPA WODNA "DO CX8040, CX8050, CX8060, CX8070 I CX8080" "DO SILNIKA MODELE F2CE9684A*E014 -B*E013 -C*E013 -D*E013 -A*E004 -D*E001 -B*E001 -C*E001"	1	500371653	X
10	CRANKSHAFTALTERNATOR, POMPA WODNA FOR CX8090 ONLY	NAPĘD NOŻY - ALTERNATOR - POMPA WODNA DO CX8090	1	500380059	X
	FOR ENGINE MODEL F3AE0684P*E909	DO SILNIKA MODEL F3AE0684P*E909			
	FOR ENGINE MODEL F3AE0684P*E906	DO SILNIKA MODEL F3AE0684P*E906			
11	ROTARY SCREEN	NAPĘD KOSZA CHŁODNICY	1	84061465	
12	FAN VARIATOR DRIVE	NAPĘD WENTYLATORA WIALNI	1	84817627	
	FOR SELF-LEVELLING ONLY				
12	FAN VARIATOR DRIVE	NAPĘD WENTYLATORA WIALNI	1	919739	X
	FOR FIXED SHOE ONLY	TYLKO DO NAPĘDU ZESPOŁU KOSZA SITOWEGO			
12	FAN VARIATOR DRIVE	NAPĘD WENTYLATORA WIALNI	1	84023277	X

X - not in standard offer / brak w standardowej ofercie



ITEM / POZYCJA	APPLICATION	OPIS	QUANTITY OF V-BELTS IN DRIVE / ILOŚĆ PASÓW W ZESPOLE	OE PART NUMBER / NUMER KATALOGOWY	COMMENT / UWAGI
12	FAN VARIATOR DRIVE	NAPĘD WENTYLATORA WIALNI	1	84023278	X
	FOR FIXED SHOE ONLY	TYLKO DO NAPĘDU ZESPOŁU KOSZA SITOWEGO			
13	TAILINGS ELEVATOR	NAPĘD ELEWATORA KŁOSOWEGO	1	84058339	
13	TAILINGS ELEVATOR	NAPĘD ELEWATORA KŁOSOWEGO	1	84455757	
13	TAILINGS ELEVATOR	NAPĘD ELEWATORA KŁOSOWEGO	1	84196804	
14	"CRANKSHAFT, AIRCO COMPRESSOR, SERIAL RANGE: -C653"	NAPĘD NOŻY, KOMPRESOR KLIMATYZACJI, SERIAL: -C653	1	84818007	X
	"FOR CX8040, CX8050, CX8060, CX8070 AND CX8080 ONLY"	"DO CX8040, CX8050, CX8060, CX8070 I CX8080"			
	"FOR ENGINE MODELS F2CE9684A*E014 -B*E013 -C*E013 -D*E013 -A*E004 -D*E001 -B*E001 -C*E001"	"DO SILNIKA MODELE F2CE9684A*E014 -B*E013 -C*E013 -D*E013 -A*E004 -D*E001 -B*E001 -C*E001"			
14	CRANKSHAFT - AIRCO COMPRESSOR, START SERIAL: D564	NAPĘD NOŻY, KOMPRESOR KLIMATYZACJI, START SERIAL: D564	1	504145203	X
	"FOR CX8040, CX8050, CX8060, CX8070 AND CX8080 ONLY"	"DO CX8040, CX8050, CX8060, CX8070 I CX8080"			
	"FOR ENGINE MODELS F2CE9684A*E014 -B*E013 -C*E013 -D*E013 -A*E004 -D*E001 -B*E001 -C*E001"	"DO SILNIKA MODELE F2CE9684A*E014 -B*E013 -C*E013 -D*E013 -A*E004 -D*E001 -B*E001 -C*E001"			
14	CRANKSHAFT, AIRCO COMPRESSOR	NAPĘD NOŻY, KOMPRESOR KLIMATYZACJI	1	84818008	X
	FOR CX8090 ONLY	DO CX8090			
15	BEATER DRIVE	NAPĘD ZESPOŁU MŁOCARNI	1	84045256	
16	DRUM DRIVE WITHOUT REDUCTOR	NAPĘD BĘBNA MŁÓCĄCEGO BEZ REDUKTORA	1	84061615	
17	DRUM VARIATOR	NAPĘD BĘBNA MŁÓCĄCEGO	1	84035748	X
	FOR CX8030, CX8040, CX8050, CX8060, CX8070 AND CX8080 ONLY	DO CX8030, CX8040, CX8050, CX8060, CX8070 I CX8080			
17	DRUM VARIATOR	NAPĘD BĘBNA MŁÓCĄCEGO	1	87635650	X
	FOR CX8090 ONLY	DO CX8090			
18	INTERMEDIATE SHAFT FOR CLEANING DRIVE	NAPĘD POŚREDNI WIALNI CZYSZCZĄCEJ	1	84057392	
19	UNLOADER AUGER DRIVE	NAPĘD ŚLIMAKA WYSYPU ZBIORNIKA	1	84061293	
20	MAIN DRIVE, SERIAL RANGE: -C723	NAPĘD GŁÓWNY, SERIAL: -C723	1	84057914	
20	MAIN DRIVE, START SERIAL: D724	NAPĘD GŁÓWNY, START SERIAL: D724	1	84175582	
21	CHOPPER DRIVE	NAPĘD SIECZKARNI	1	84075635	
	FOR RUSSIA ONLY	ROSIJA			
21	CHOPPER DRIVE, SERIAL RANGE: -C723	NAPĘD SIECZKARNI, SERIAL: -C723	1	87339998	
21	CHOPPER DRIVE, START SERIAL: D724	NAPĘD SIECZKARNI, START SERIAL: D724	1	84175580	
22	STRAW WALKER DRIVE	NAPĘD WYTRZĄSACZY	1	84057482	
23	CHOPPER DRIVE, SERIAL RANGE: -C723	NAPĘD SIECZKARNI, SERIAL: -C723	1	84075345	
23	CHOPPER DRIVE, START SERIAL: D724	NAPĘD SIECZKARNI, START SERIAL: D724	1	84175581	
24	SHAKER SHOE DRIVE, FIXED SHOE	NAPĘD KOSZA SITOWEGO	1	84432785	
25	TAILINGS ELEVATOR DRIVE, FIXED SHOE	NAPĘD ELEWATORA KŁOSOWEGO	1	84435035	
26	SHAKER SHOE DRIVE, SELF-LEVELLING	NAPĘD KOSZA SITOWEGO	1	84056913	
27	SHAKER SHOE	NAPĘD ZESPOŁU KOSZA SITOWEGO	1	84057874	

X - not in standard offer / brak w standardowej ofercie

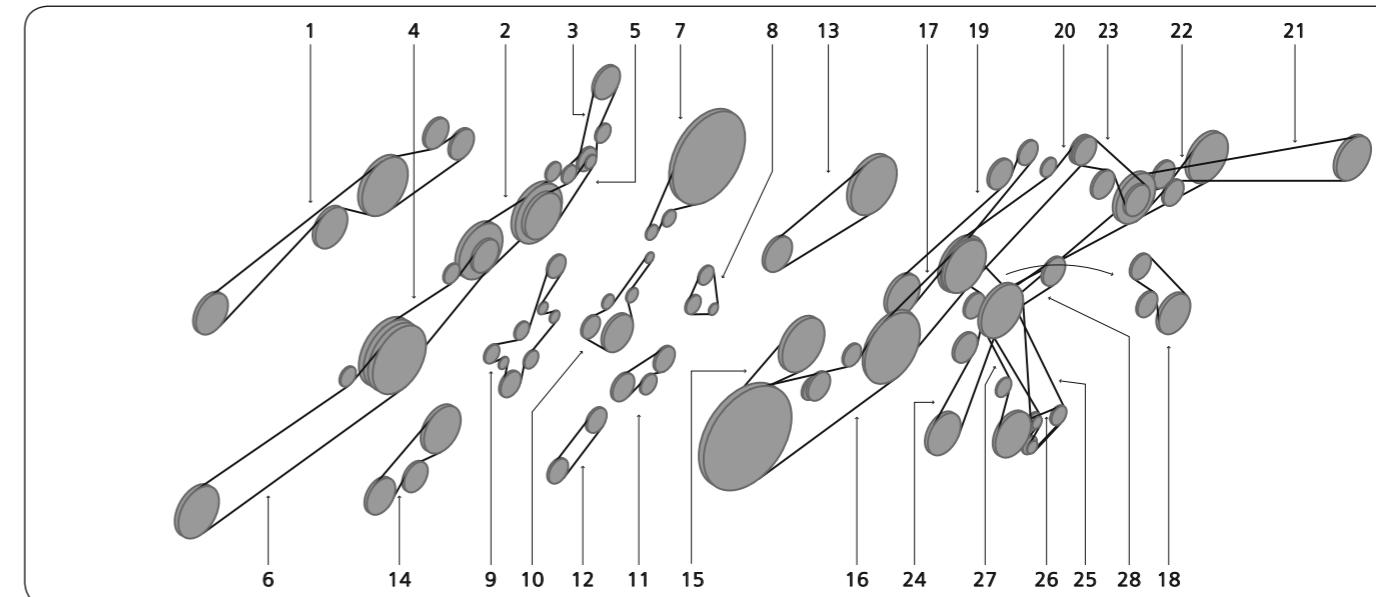


ITEM / POZYCJA	APPLICATION	OPIS	QUANTITY OF V-BELTS IN DRIVE / ILOŚĆ PASÓW W ZESPOLE	OE PART NUMBER / NUMER KATALOGOWY	COMMENT / UWAGI
1	HEADER DRIVE	NAPĘD HEDERA	1	84334995	
2	STRAW ELEVATOR DRIVE	NAPĘD PRZENOŚNIKA POCHYLEGO	1	84061279	
3	GRAIN ELEVATOR DRIVE	NAPĘD PRZENOŚNIKA ZIARNOWEGO	1	84073457	
4	HEADER DRIVE	NAPĘD HEDERA	1	84434295	
5	FAN	WENTYLATOR	1	84457079	
6	STRAW ELEVATOR DRIVE	NAPĘD PRZENOŚNIKA POCHYLEGO	1	84434260	
7	ROTARY SCREEN	NAPĘD KOSZA CHŁODNICY	1	87664428	
8	FAN DRIVE	NAPĘD WENTYLATORA	1	9835816	
	FOR CX8040E4, CX8050E4, CX8060E3, CX8070A3, CX8070A4, CX8070E3, CX8070E4, CX0880A3, CX8080A4, CX8080E3 AND CX8080E4 ONLY	DO CX8040E4, CX8050E4, CX8060E3, CX8070A3, CX8070A4, CX8070E3, CX8070E4, CX0880A3, CX8080A4, CX8080E3 I CX8080E4			
8	FAN DRIVE	NAPĘD WENTYLATORA	1	84459056	
	FOR CX8090E4 AND CX8090A4 ONLY	DO CX8090E4 I CX8090A4			
9	"CRANKSHAFT - AIRCO COMPRESSOR - ALTERNATOR - WATER PUMP DRIVE"	NAPĘD NOŻY, KOMPRESOR KLIMATYZACJI, ALTERNATOR, NAPĘD POMPY WODNEJ	1	84292639	X
	FOR CX8040E4, CX8050E4, CX8060E3, CX8070A3, CX8070A4, CX8070E3, CX8070E4, CX0880A3, CX8080A4, CX8080E3 AND CX8080E4 ONLY	DO CX8040E4, CX8050E4, CX8060E3, CX8070A3, CX8070A4, CX8070E3, CX8070E4, CX0880A3, CX8080A4, CX8080E3 I CX8080E4			
10	ALTERNATOR DRIVE	NAPĘD ALTERNATORA	1	84238513	X
	FOR CX8090E4 AND CX8090A4 ONLY	DO CX8090E4 I CX8090A4			
11	AIRCO COMPRESSOR DRIVE	NAPĘD KLIMATYZACJI	1	84238514	X
	FOR CX8090E4 AND CX8090A4 ONLY	DO CX8090E4 I CX8090A4			
12	ROTARY SCREEN	NAPĘD KOSZA CHŁODNICY	1	84061465	
13	FAN VARIATOR DRIVE	NAPĘD WENTYLATORA WIALNI	1	84817627	
	FOR SELF-LEVELLING ONLY				
13	FAN VARIATOR DRIVE	NAPĘD WENTYLATORA WIALNI	1	919739	X
	FOR FIXED SHOE ONLY	TYLKO DO NAPĘDU ZESPOŁU KOSZA SITOWEGO			
13	FAN VARIATOR DRIVE	NAPĘD WENTYLATORA WIALNI	1	84023277	X
13	FAN VARIATOR DRIVE	NAPĘD WENTYLATORA WIALNI	1	84023278	X
	FOR FIXED SHOE ONLY	TYLKO DO NAPĘDU ZESPOŁU KOSZA SITOWEGO			
14	TAILINGS ELEVATOR	NAPĘD ELEWATORA KŁOSOWEGO	1	84196804	
	FOR CX8060E3, CX8070A3, CX8070A4, CX8070E3, CX8070E4, CX8080A3, CX8080A4, CX8080E3, CX8080E4, CX8090A4 AND CX8090E4 ONLY	DO CX8060E3, CX8070A3, CX8070A4, CX8070E3, CX8070E4, CX8080A3, CX8080A4, CX8080E3, CX8080E4, CX8090A4 I CX8090E4			
14	START SERIAL: D914	START SERIAL: D914	1	84332132	
	FOR CX8060E3, CX8070A3, CX8070A4, CX8070E3, CX8070E4, CX8080A3, CX8080A4, CX8080E3, CX8080E4, CX8090A4 AND CX8090E4 ONLY	DO CX8060E3, CX8070A3, CX8070A4, CX8070E3, CX8070E4, CX8080A3, CX8080A4, CX8080E3, CX8080E4, CX8090A4 I CX8090E4			
15	SERIAL RANGE: -F840849	SERIAL: -F840849	1	87636309	
16	BEATER DRIVE	NAPĘD ZESPOŁU MŁOCARNI	1	84045256	
17	DRUM DRIVE WITHOUT REDUCTOR	NAPĘD BĘBNA MŁÓCĄCEGO BEZ REDUKTORA	1	84061615	

X - not in standard offer / brak w standardowej ofercie

ITEM / POZYCJA	APPLICATION	OPIS	QUANTITY OF V-BELTS IN DRIVE / ILOŚĆ PASÓW W ZESPOLE	OE PART NUMBER / NUMER KATALOGOWY	COMMENT / UWAGI
18	DRUM VARIATOR FOR CX8040E4, CX8050E4, CX8060E3, CX8070A3, CX8070A4, CX8070E3, CX8070E4, CX0880A3, CX8080A4, CX8080E3 AND CX8080E4 ONLY	NAPĘD BĘBNA MŁÓCĄCEGO DO CX8040E4, CX8050E4, CX8060E3, CX8070A3, CX8070A4, CX8070E3, CX8070E4, CX0880A3, CX8080A4, CX8080E3 I CX8080E4	1	84035748	X
18	DRUM VARIATOR FOR CX8090E4 AND CX8090A4 ONLY	NAPĘD BĘBNA MŁÓCĄCEGO DO CX8090E4 I CX8090A4	1	87635650	X
19	INTERMEDIATE SHAFT FOR CLEANING DRIVE	NAPĘD POŚREDNI WIALNI CZYSZCZĄCEJ	1	84057392	
20	UNLOADER AUGER DRIVE	NAPĘD ŚLIMAKA WYSYPY ZBIORNIKA	1	84061293	
21	MAIN DRIVE FOR CX8040E4 AND CX8050E4 ONLY	NAPĘD GŁÓWNY DO CX8040E4 I CX8050E4	1	84057914	
21	MAIN DRIVE FOR CX8060E3, CX8070A3, CX8070A4, CX8070E3, CX8070E4, CX8080A3, CX8080A4, CX8080E3, CX8080E4, CX8090A4 AND CX8090E4 ONLY	NAPĘD GŁÓWNY DO CX8060E3, CX8070A3, CX8070A4, CX8070E3, CX8070E4, CX8080A3, CX8080A4, CX8080E3, CX8080E4, CX8090A4 I CX8090E4	1	84175582	
22	CHOPPER DRIVE FOR RUSSIA ONLY	NAPĘD SIECZKARNI ROSIJA	1	84075635	
22	CHOPPER DRIVE	NAPĘD SIECZKARNI	1	84175580	
23	STRAW WALKER DRIVE	NAPĘD WYTRZĄSACZY	1	84057482	
24	CHOPPER DRIVE FOR RUSSIA ONLY	NAPĘD SIECZKARNI ROSIJA	1	84075345	
24	CHOPPER DRIVE	NAPĘD SIECZKARNI	1	84175581	
25	SHAKER SHOE DRIVE, FIXED SHOE FOR EU ONLY	NAPĘD KOSZA SITOWEGO DLA UE	1	84432785	
26	TAILINGS ELEVATOR DRIVE, FIXED SHOE FOR EU ONLY	NAPĘD ELEWATORA KŁOSOWEGO DLA UE	1	84435035	
27	"SHAKER SHOE DRIVE, SELF-LEVELLING, SERIAL RANGE: -C819"	"NAPĘD KOSZA SITOWEGO, SERIAL : -C819"	1	84056913	
27	"SHAKER SHOE DRIVE, SELF-LEVELLING, START SERIAL: D820"	"NAPĘD KOSZA SITOWEGO, START SERIAL: D820"	1	84332126	
28	SHAKER SHOE	NAPĘD ZESPOŁU KOSZA SITOWEGO	1	84057874	

X - not in standard offer / brak w standardowej ofercie

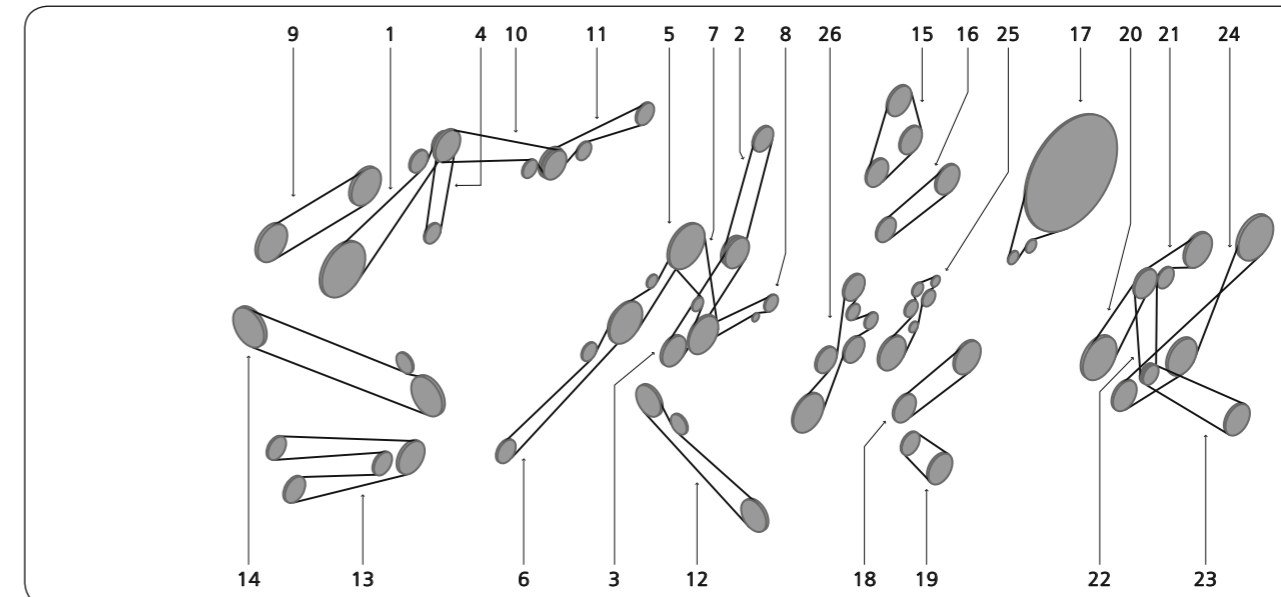


ITEM / POZYCJA	APPLICATION	OPIS	QUANTITY OF V-BELTS IN DRIVE / ILOŚĆ PASÓW W ZESPOLE	OE PART NUMBER / NUMER KATALOGOWY	COMMENT / UWAGI
1	HEADER DRIVE, 92 KW	NAPĘD HEDERA, 92 KW	1	84334995	
1	HEADER DRIVE, 120 KW	NAPĘD HEDERA, 120 KW	1	84522809	X
2	STRAW ELEVATOR DRIVE	NAPĘD PRZENOŚNIKA POCHYLEGO	1	84061279	
3	GRAIN ELEVATOR DRIVE	NAPĘD PRZENOŚNIKA ZIARNOWEGO	1	84073457	
4	HEADER DRIVE	NAPĘD HEDERA	1	84168012	X
5	FAN	WENTYLATOR	1	84457079	
6	STRAW ELEVATOR DRIVE	NAPĘD PRZENOŚNIKA POCHYLEGO	1	84434260	
7	ROTARY SCREEN	NAPĘD KOSZA CHŁODNICY	1	87664428	
8	FAN DRIVE FOR CX7080E4, CX7090E4, CX7090T4, CX8070I3 AND CX8070E4 ONLY	NAPĘD WENTYLATORA DO CX7080E4, CX7090E4, CX7090T4, CX8070I3 I CX8070E4	1	9835816	
8	FAN DRIVE FOR CX8080I3, CX8080K3, CX8080E4, CX8080T4, CX8080A4, CX8090E4, CX8090T4 AND CX8090A4 ONLY	NAPĘD WENTYLATORA DO CX8080I3, CX8080K3, CX8080E4, CX8080T4, CX8080A4, CX8090E4, CX8090T4 I CX8090A4	1	84459056	
9	"CRANKSHAFT - AIRCO COMPRESSOR - ALTERNATOR - WATER PUMP DRIVE"	NAPĘD NOŻY, KOMPRESOR KLIMATYZACJI, ALTERNATOR, POMPA WODNA	1	84292639	X
10	ALTERNATOR DRIVE FOR CX7080E4, CX7090E4, CX7090T4, CX8080I3, CX8080K3, CX8080E4, CX8080T4 AND CX8080A4 ONLY	NAPĘD ALTERNATORA DO CX7080E4, CX7090E4, CX7090T4, CX8080I3, CX8080K3, CX8080E4, CX8080T4 I CX8080A4	1	84238513	X
11	AIRCO COMPRESSOR DRIVE FOR CX8090E4, CX8090T4 AND CX8090A4 ONLY	NAPĘD KLIMATYZACJI DO CX8090E4, CX8090T4 I CX8090A4	1	84238514	X
12	ROTARY SCREEN	NAPĘD KOSZA CHŁODNICY	1	84061465	
13	FAN VARIATOR DRIVE FOR SELF-LEVELLING ONLY	NAPĘD WENTYLATORA WIALNI	1	87683178	X
13	FAN VARIATOR DRIVE FOR FIXED SHOE ONLY	NAPĘD WENTYLATORA WIALNI	1	919739	X
13	FAN VARIATOR DRIVE FOR FIXED SHOE ONLY	TYLKO DO NAPĘDU ZESPOŁU KOSZA SITOWEGO			
13	FAN VARIATOR DRIVE FOR FIXED SHOE ONLY	NAPĘD WENTYLATORA WIALNI	1	84023278	X
13	FAN VARIATOR DRIVE FOR FIXED SHOE ONLY	TYLKO DO NAPĘDU ZESPOŁU KOSZA SITOWEGO			
14	TAILINGS ELEVATOR FOR CX8070I3, CX8070E4, CX8080I3, CX8080K3, CX8080E4, CX8080T4, CX8080A4, CX8090E4, CX8090T4 AND CX8090A4 ONLY	NAPĘD ELEWATORA KŁOSOWEGO DO CX8070I3, CX8070E4, CX8080I3, CX8080K3, CX8080E4, CX8080T4, CX8080A4, CX8090E4, CX8090T4 I CX8090A4	1	84332132	
15	BEATER DRIVE	NAPĘD ZESPOŁU MŁOCARNI	1	84045256	
16	DRUM DRIVE WITHOUT REDUCTOR	NAPĘD BĘBNA MŁÓCĄCEGO BEZ REDUKTORA	1	84061615	
17	DRUM VARIATOR FOR CX7080E4, CX7090E4, CX7090T4, CX8070I3, CX8070E4, CX8080I3, CX8080K3, CX8080E4, CX8080T4 AND CX8080A4 ONLY	NAPĘD BĘBNA MŁÓCĄCEGO DO CX7080E4, CX7090E4, CX7090T4, CX8070I3, CX8070E4, CX8080I3, CX8080K3, CX8080E4, CX8080T4 I CX8080A4	1	84035748	X
17	DRUM VARIATOR FOR CX8090E4, CX8090T4 AND CX8090A4 ONLY	NAPĘD BĘBNA MŁÓCĄCEGO DO CX8090E4, CX8090T4 I CX8090A4	1	87635650	X

X - not in standard offer / brak w standardowej ofercie

ITEM / POZYCJA	APPLICATION	OPIS	QUANTITY OF V-BELTS IN DRIVE / ILOŚĆ PASÓW W ZESPOLE	OE PART NUMBER / NUMER KATALOGOWY	COMMENT / UWAGI
18	INTERMEDIATE SHAFT FOR CLEANING DRIVE	NAPĘD POŚREDNI WIALNI CZYSZCZĄCEJ	1	84057392	
19	UNLOADER AUGER DRIVE	NAPĘD ŚLIMAKA WYSYPU ZBIORNIKA	1	84061293	
20	MAIN DRIVE	NAPĘD GŁÓWNY	1	84057914	
	FOR CX7080E4, CX7090E4 AND CX7090T4 ONLY	DO CX7080E4, CX7090E4 I CX7090T4			
20	MAIN DRIVE	NAPĘD GŁÓWNY	1	84175582	
	FOR CX8070I3, CX8070E4, CX8080I3, CX8080K3, CX8080E4, CX8080T4, CX8080A4, CX8090E4, CX8090T4 AND CX8090A4 ONLY	DO CX8070I3, CX8070E4, CX8080I3, CX8080K3, CX8080E4, CX8080T4, CX8080A4, CX8090E4, CX8090T4 I CX8090A4			
21	CHOPPER DRIVE	NAPĘD SIECZKARNI	1	84175580	
22	STRAW WALKER DRIVE	NAPĘD WYTRZĄSACZY	1	84057482	
22			1	47413433	X
23	CHOPPER DRIVE	NAPĘD SIECZKARNI	1	84175581	
24	SHAKER SHOE DRIVE, FIXED SHOE	NAPĘD KOSZA SITOWEGO	1	84432785	
	FOR CX7080E4, CX7090E4, CX8070I3, CX8070E4, CX8080I3, CX8080K3, CX8080E4 AND CX8090E4 ONLY	DO CX7080E4, CX7090E4, CX8070I3, CX8070E4, CX8080I3, CX8080K3, CX8080E4 I CX8090E4			
25	TAILINGS ELEVATOR DRIVE, FIXED SHOE	NAPĘD ELEWATORA KŁOSOWEGO	1	84435035	
	FOR CX7080E4, CX7090E4, CX8070I3, CX8070E4, CX8080I3, CX8080K3, CX8080E4 AND CX8090E4 ONLY	DO CX7080E4, CX7090E4, CX8070I3, CX8070E4, CX8080I3, CX8080K3, CX8080E4 I CX8090E4			
26	SHAKER SHOE DRIVE, SELF-LEVELLING	NAPĘD KOSZA SITOWEGO	1	84353448	X
27	SHAKER SHOE	NAPĘD ZESPOŁU KOSZA SITOWEGO	1	47419045	X
28	STRAW WALKER VARIATOR	WYTRZĄSACZ	1	47406268	X

X - not in standard offer / brak w standardowej ofercie

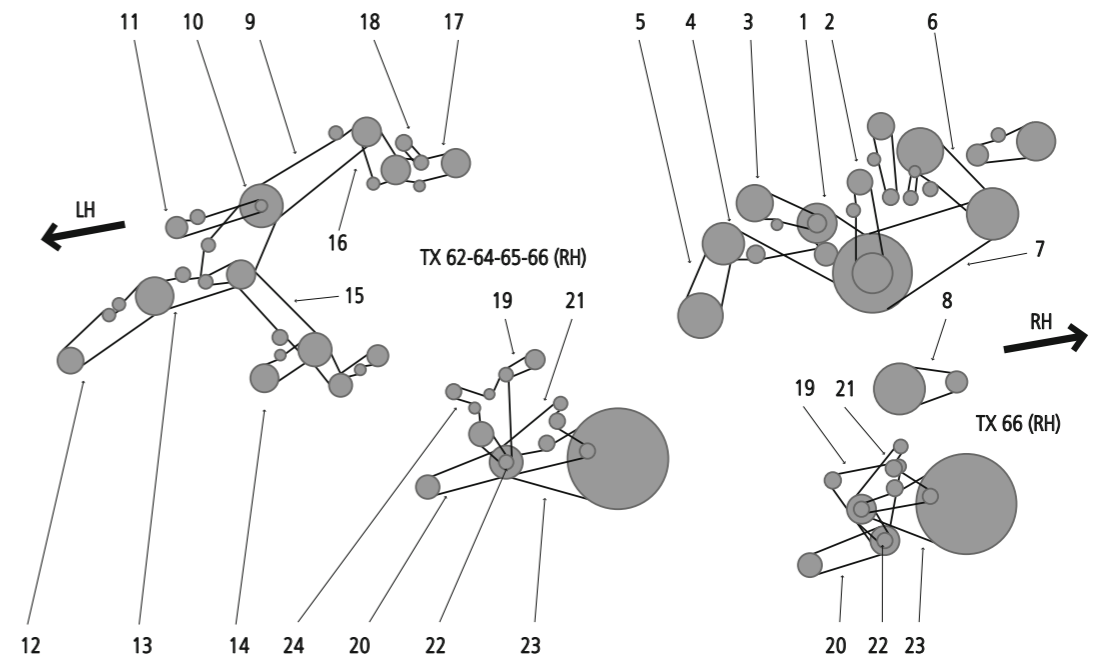


ITEM / POZYCJA	APPLICATION	OPIS	QUANTITY OF V-BELTS IN DRIVE / ILOŚĆ PASÓW W ZESPOLE	OE PART NUMBER / NUMER KATALOGOWY	COMMENT / UWAGI
1	MAIN DRIVE, SERIAL RANGE: -C493	NAPĘD GŁÓWNY, SERIAL: -C493	1	9817374	
1	MAIN DRIVE, START SERIAL: D494	NAPĘD GŁÓWNY, START SERIAL: D494	1	87747431	
2	SERIAL RANGE: -C513	SERIAL: -C513	1	356024	
	FOR TC5040E3 AND TC5060M3 ONLY	DO TC5040E3 I TC5060M3			
2	"START SERIAL: D514"	START SERIAL: D514	1	9850782	
	FOR TC5040E3 AND TC5060M3 ONLY	DO TC5040E3 I TC5060M3			
3	SERIAL RANGE: -C513	SERIAL: -C513	1	9850782	
	FOR TC5040E3 AND TC5060M3 ONLY	DO TC5040E3 I TC5060M3			
3	START SERIAL: D514	START SERIAL: D514	1	84993224	X
	FOR TC5040E3 AND TC5060M3 ONLY	DO TC5040E3 I TC5060M3			
4	HYDROSTATIC PUMP DRIVE	NAPĘD POMPY HYDROSTATYCZNEJ	1	9818873	
	"FOR TC5050E3, TC5060H3, TC5070E3, TC5080E3, TC5070E4, TC5080E4, TC5080HS3 AND TC5080HS4 ONLY"	"DO TC5050E3, TC5060H3, TC5070E3, TC5080E3, TC5070E4, TC5080E4, TC5080HS3 I TC5080HS4"			
5	HYDRAULIC CONTROL, SERIAL RANGE: -C633	KONTROLA HYDRAULICZNA, SERIAL: -C633	1	424563	
	"FOR TC5050E3, TC5060H3, TC5070E3, TC5080E3, TC5070E4, TC5080E4, TC5080HS3 AND TC5080HS4 ONLY"	"DO TC5050E3, TC5060H3, TC5070E3, TC5080E3, TC5070E4, TC5080E4, TC5080HS3 I TC5080HS4"			
5	FEEDER DRIVE, HYDRAULIC CONTROL, START SERIAL: D634	NAPĘD PRZENOŚNIKA POCHYLEGO, KONTROLA HYDRAULICZNA, START SERIAL: D634	1	84191907	
	"FOR TC5050E3, TC5060H3, TC5070E3, TC5080E3, TC5070E4, TC5080E4, TC5080HS3 AND TC5080HS4 ONLY"	"DO TC5050E3, TC5060H3, TC5070E3, TC5080E3, TC5070E4, TC5080E4, TC5080HS3 I TC5080HS4"			
5	FEEDER DRIVE, MANUAL CONTROL	NAPĘD PRZENOŚNIKA POCHYLEGO, KONTROLA MANUALNA	1	424563	
	"FOR TC5040E3, TC5050E3, TC5060M3, TC5060H3, TC5070E3, TC5080E3, TC5070E4 AND TC5080E4 ONLY"	"DO TC5040E3, TC5050E3, TC5060M3, TC5060H3, TC5070E3, TC5080E3, TC5070E4 I TC5080E4"			
6			1	84971217	
	"FOR TC5040E3, TC5050E3, TC5060M3, TC5060H3, TC5070E3, TC5080E3, TC5070E4 AND TC5080E4 ONLY"	"DO TC5040E3, TC5050E3, TC5060M3, TC5060H3, TC5070E3, TC5080E3, TC5070E4 I TC5080E4"			
6	START SERIAL: D634	START SERIAL: D634	1	84192753	
	FOR TC5070E3, TC5080E3, TC5070E4 AND TC5080E4 ONLY	DO TC5070E3, TC5080E3, TC5070E4 I TC5080E4			
6			1	84001336	
	FOR TC5080HS3 AND TC5080HS4 ONLY	DO TC5080HS3 I TC5080HS4			
7	STRAW WALKER ECCENTRIC SHAFT DRIVE	NAPĘD WYTRZĄSACZA SŁOMY - WALEK MIMOSRODKOWY	1	387469	
7	STRAW WALKER ECCENTRIC SHAFT DRIVE, START SERIAL: D634	NAPĘD WYTRZĄSACZA SŁOMY - WALEK MIMOSRODKOWY, START SERIAL: D634	1	387469	
	FOR TC5060H3, TC5070E3, TC5080E3, TC5070E4 AND TC5080E4 ONLY	DO TC5060H3, TC5070E3, TC5080E3, TC5070E4 I TC5080E4			
	FOR SMART SIEVE ONLY	DO SMART SIEVE			
8	GRAIN & TAILINGS ELEVATOR DRIVE	NAPĘD ELEWATORA KŁOSOWEGO I ZIARNOWEGO	1	422731	
8	GRAIN & TAILINGS ELEVATOR DRIVE	NAPĘD ELEWATORA KŁOSOWEGO I ZIARNOWEGO	1	753053	

X - not in standard offer / brak w standardowej ofercie

ITEM / POZYCJA	APPLICATION	OPIS	QUANTITY OF V-BELTS IN DRIVE / ILOŚĆ PASÓW W ZESPOLE	OE PART NUMBER / NUMER KATALOGOWY	COMMENT / UWAGI
	"FOR TC5060M3, TC5070E3, TC5080E3, TC5060H3, TC5070E4 AND TC5080E4 ONLY"	"DO TC5060M3, TC5070E3, TC5080E3, TC5060H3, TC5070E4 I TC5080E4"			
	FOR HIGH SPEED ONLY	DO DUŻEJ PRĘDKOŚCI			
9	UNLOADING AUGER DRIVE, SERIAL RANGE: -C493	NAPĘD ŚLIMAKA WYSYPY ZBIORNIKA, SERIAL: -C493	1	84448591	
9	UNLOADING AUGER DRIVE, START SERIAL: D494	NAPĘD ŚLIMAKA WYSYPY ZBIORNIKA, START SERIAL: D494	1	84462590	
10	CHOPPER DRIVE	NAPĘD SIECZKARNI	1	87628477	
11	CHOPPER DRIVE	NAPĘD SIECZKARNI	1	87628478	
	"FOR TC5040E3, TC5050E3, TC5060M3, TC5060H3, TC5070E3, TC5080E3, TC5070E4 AND TC5080E4 ONLY"	"DO TC5040E3, TC5050E3, TC5060M3, TC5060H3, TC5070E3, TC5080E3, TC5070E4 I TC5080E4"			
11	CHOPPER DRIVE	NAPĘD SIECZKARNI	1	84041094	
	"FOR TC5040E3, TC5050E3, TC5060M3, TC5060H3, TC5070E3, TC5080E3, TC5070E4 AND TC5080E4 ONLY"	"DO TC5040E3, TC5050E3, TC5060M3, TC5060H3, TC5070E3, TC5080E3, TC5070E4 I TC5080E4"			
	FOR LOW RPM ONLY	DO LOW RPM			
11	CHOPPER DRIVE, SERIAL RANGE: -C449	NAPĘD SIECZKARNI, SERIAL: -C449	1	87628478	
	FOR TC5080HS3 AND TC5080HS4 ONLY	DO TC5080HS3 I TC5080HS4			
11	CHOPPER DRIVE, START SERIAL: D450	NAPĘD SIECZKARNI, START SERIAL: D450	1	84041095	
	FOR TC5080HS3 AND TC5080HS4 ONLY	DO TC5080HS3 I TC5080HS4			
11	CHOPPER DRIVE	NAPĘD SIECZKARNI	1	84041069	
	FOR TC5080HS3 AND TC5080HS4 ONLY	DO TC5080HS3 I TC5080HS4			
	FOR LOW RPM ONLY	MAŁE OBROTY			
12	CHAFF SPREADER DRIVE	NAPĘD ROZTRZĄSACZA PLEW	1	87683974	X
	"FOR TC5060M3, TC5070E3, TC5080E3, TC5060H3, TC5070E4 AND TC5080E4 ONLY"	"DO TC5060M3, TC5070E3, TC5080E3, TC5060H3, TC5070E4 I TC5080E4"			
13	CHAFF SPREADER DRIVE	NAPĘD ROZTRZĄSACZA PLEW	1	84056149	
	"FOR TC5060M3, TC5070E3, TC5080E3, TC5060H3, TC5070E4 AND TC5080E4 ONLY"	"DO TC5060M3, TC5070E3, TC5080E3, TC5060H3, TC5070E4 I TC5080E4"			
14	STRAW SPREADER DRIVE	NAPĘD ROZTRZĄSACZA SŁOMY	1	913524	
	"FOR TC5040E3, TC5050E3, TC5060M3, TC5060H3, TC5070E3, TC5080E3, TC5070E4 AND TC5080E4 ONLY"	"DO TC5040E3, TC5050E3, TC5060M3, TC5060H3, TC5070E3, TC5080E3, TC5070E4 I TC5080E4"			
15	COOLER FAN DRIVE	NAPĘD WENTYLATORA CHŁODNICY	1	9818704	
16	COOLER FAN DRIVE	NAPĘD WENTYLATORA CHŁODNICY	1	381237	
	"FOR TC5070E3, TC5080E3, TC5080HS3, TC5070E4, TC5080E4 AND TC5080HS4 ONLY"	"DO TC5070E3, TC5080E3, TC5080HS3, TC5070E4, TC5080E4 I TC5080HS4"			
16	COOLER FAN DRIVE	NAPĘD WENTYLATORA CHŁODNICY	1	87535206	
	FOR TC5040E3, TC5050E3, TC5060M3 AND TC5060H3 ONLY	DO TC5040E3, TC5050E3, TC5060M3 I TC5060H3			
17	ROTARY DUST SCREEN	NAPĘD ROTORA KOSZA FILTRACYJNEGO	1	84989965	
18	ENGINE	SILNIK	1	84817670	
	"FOR TC5070E3, TC5080E3, TC5080HS3, TC5070E4, TC5080E4 AND TC5080HS4 ONLY"	"DO TC5070E3, TC5080E3, TC5080HS3, TC5070E4, TC5080E4 I TC5080HS4"			
19	AIR CONDITIONER UNIT, COMPRESSOR DRIVE	KLIMATYZACJA, NAPĘD KOMPRESORA	1	2854889	X
	FOR TC5040E3, TC5050E3, TC5060M3 AND TC5060H3 ONLY	DO TC5040E3, TC5050E3, TC5060M3 I TC5060H3			
20	DRUM VARIATOR DRIVE	NAPĘD BĘBNA MŁÓCĄCEGO DRIVE	1	336784	
21	ROTARY SEPARATOR DRIVE	NAPĘD ZESPOŁU ROTORA SEPARUJĄCEGO	1	89837412	
	"FOR TC5060H3, TC5060M3, TC5070E3, TC5080E3, TC5070E4, TC5080E4 AND TC5080HS4 ONLY"	"DO TC5060H3, TC5060M3, TC5070E3, TC5080E3, TC5070E4, TC5080E4 I TC5080HS4"			
21	ROTARY SEPARATOR DRIVE, SERIAL RANGE: -C633	NAPĘD ZESPOŁU ROTORA SEPARUJĄCEGO, SERIAL: -C633	1	89837412	
	FOR TC5080HS3 ONLY	DO TC5080HS3			
22	FAN DRIVE	NAPĘD WENTYLATORA	1	9515075	
23	FAN VARIATOR DRIVE	NAPĘD WENTYLATORA WIALNI	1	9515076	
24	STRAW WALKER DRIVE, SERIAL RANGE: -C633	NAPĘD WYTRZĄSACZY, SERIAL: -C633	1	431784	
24	STRAW WALKER DRIVE, START SERIAL: D634	NAPĘD WYTRZĄSACZY, START SERIAL: D634	1	84180490	
25	CRANKSHAFTALTERNATOR, POMPA WODNA	NAPĘD NOŻY - ALTERNATOR - POMPA WODNA	1	FAR8602680	X
	FOR TC5040E3, TC5050E3 AND TC5060M3 ONLY	DO TC5040E3, TC5050E3 I TC5060M3			
	FOR ENGINE MODELS F4G E9684R*J600 -R*J603 -R*J602 -R*J605	DO SILNIKA MODELE F4G E9684R*J600 -R*J603 -R*J602 -R*J605			
26	CRANKSHAFT - AC COMPRESSOR - ALTERNATOR - WATERPUMP	NAPĘD NOŻY, KOMPRESOR KLIMATYZACJI, ALTERNATOR, POMPA WODNA	1	2855452	X
	"FOR TC5070E3, TC5080E3 AND TC5080HS3 ONLY"	"DO TC5070E3, TC5080E3 I TC5080HS3"			
	FOR ENGINE MODELS F4H E9684J*J102 -D*J102 -J*J100 -D*J103	DO SILNIKA MODELE F4H E9684J*J102 -D*J102 -J*J100 -D*J103			

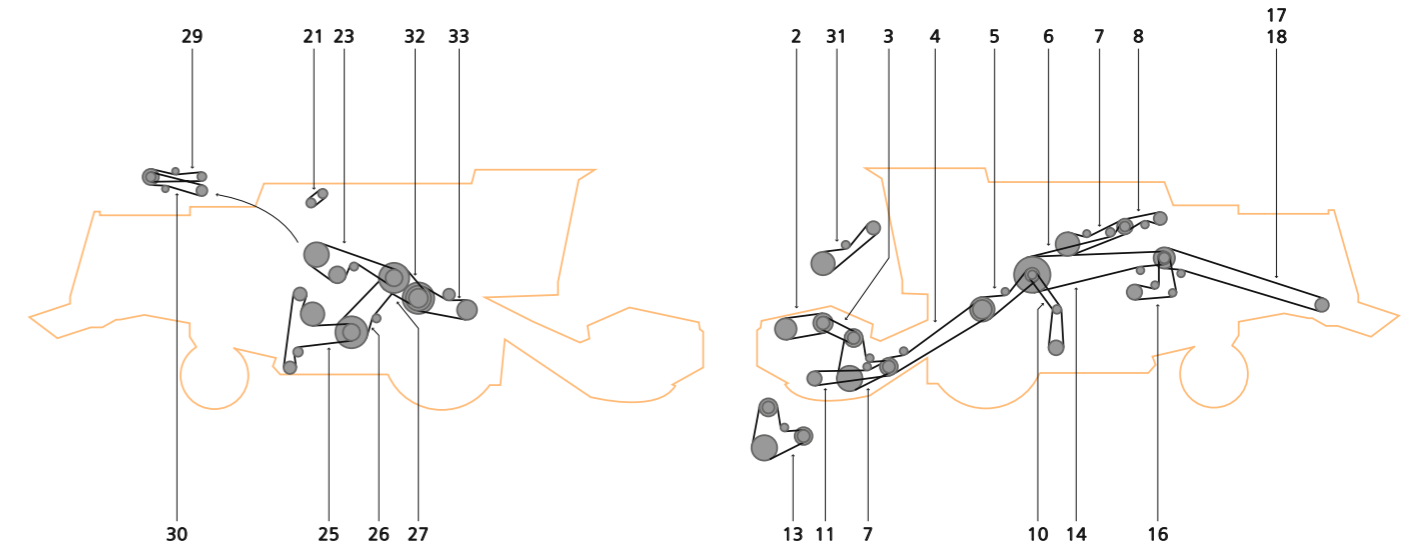
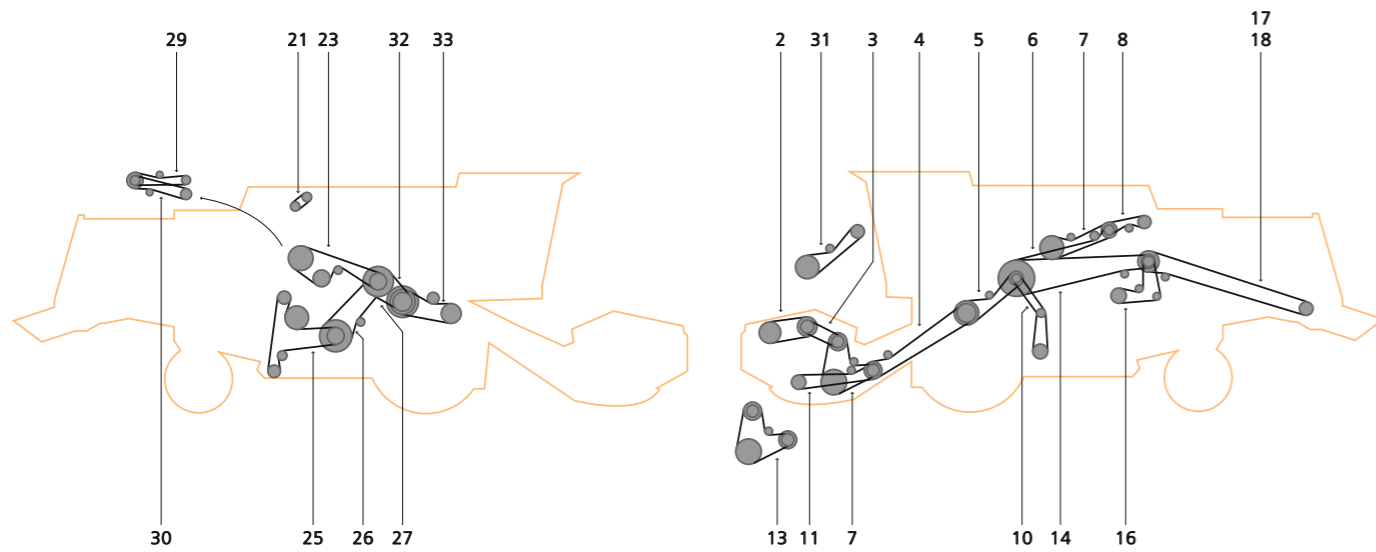
X - not in standard offer / brak w standardowej ofercie



ITEM / POZYCJA	APPLICATION	OPIS	QUANTITY OF V-BELTS IN DRIVE / ILOŚĆ PASÓW W ZESPOLE	OE PART NUMBER / NUMER KATALOGOWY	COMMENT / UWAGI
2	REEL FRONT DRIVE	NAPĘD PRZEDNI MOTOWIDŁA	1	0614225	
3	REEL DRIVE REAR	NAPĘD TYLNI MOTOWIDŁA	1	0615109	
4	CYLINDER DRIVE	NAPĘD BĘBNA MŁÓCĄCEGO	1	0619169	X
5	HYDROSTIC PUMP	POMPA HYDROSTATYCZNA	1	0619081	
6	HYDRAULIC PUMP DRIVE (A 42)	NAPĘD POMPY HYDRAULICZNEJ	1	0613116	
7	FEEDING AUGER (C 105)	NAPĘD ŚLIMAKA	1	0615128	
7	FEEDING AUGER (C 105)	NAPĘD ŚLIMAKA	1	0615135	
8	TABLE DRIVE LEFT (C 112)	NAPĘD LEWY	1	0615129	
9	FAN DRIVE LOWER (B51)	NAPĘD DOLNY WIALNI	1	0614115	
10	FAN DRIVE UPPER (BX65)	NAPĘD GÓRNY WIALNI	1	0614215	
11	THRESHING UNIT (2HB3180)	NAPĘD MŁOCARNI	1	0619065	
12	AIR CONDITIONING (A53)	KLIMATYZACJA	1	0613126	
14	GRAIN ELEVATOR (BB178)	NAPĘD PRZENOŚNIKA ZBOŻOWEGO	1	0614166	
14	GRAIN ELEVATOR (BB178)	NAPĘD PRZENOŚNIKA ZBOŻOWEGO	1	0619062	
15	TANK UNLOADING (C61)	NAPĘD ZESPOŁU WYŁADUNKU	1	0615108	
16	TABLE CLEANING FAN (B79)	NAPĘD WIALNI	2	0614227	
17	STRAW CHOPPER REAR (C 158)	TYLNI NAPĘD ROZDRABNIACZA SŁOMY	1	0615159	
18	STRAW CHOPPER FRONT (C96)	NAPĘD ROZDRABNIACZA SŁOMY PRZEDNI	1	0615170	
19	STRAW WALKER (B 148)	WYTRZĄSACZ	1	0614260	
20	SHAKER SHOE DRIVE (B 102)	NAPĘD ZESPOŁU KOSZA SITOWEGO	1	0614246	
21	TABLE DRIVE RIGHT (C 100)	NAPĘD PRAWY	1	0615124	
21	TABLE DRIVE RIGHT (C 100)	NAPĘD PRAWY	1	0615173	

X - not in standard offer / brak w standardowej ofercie





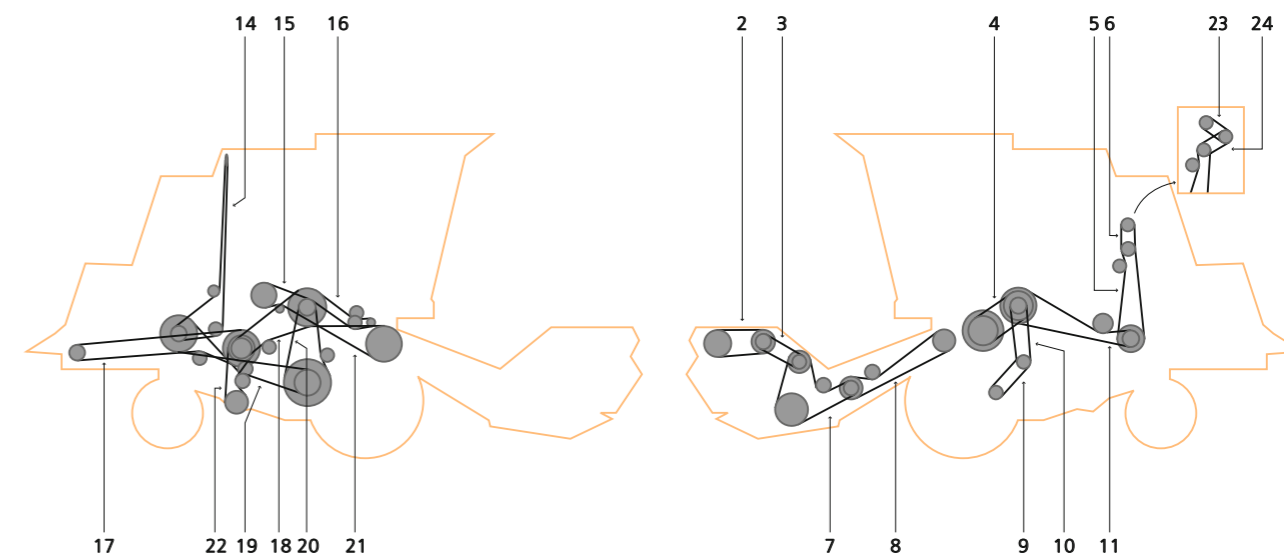
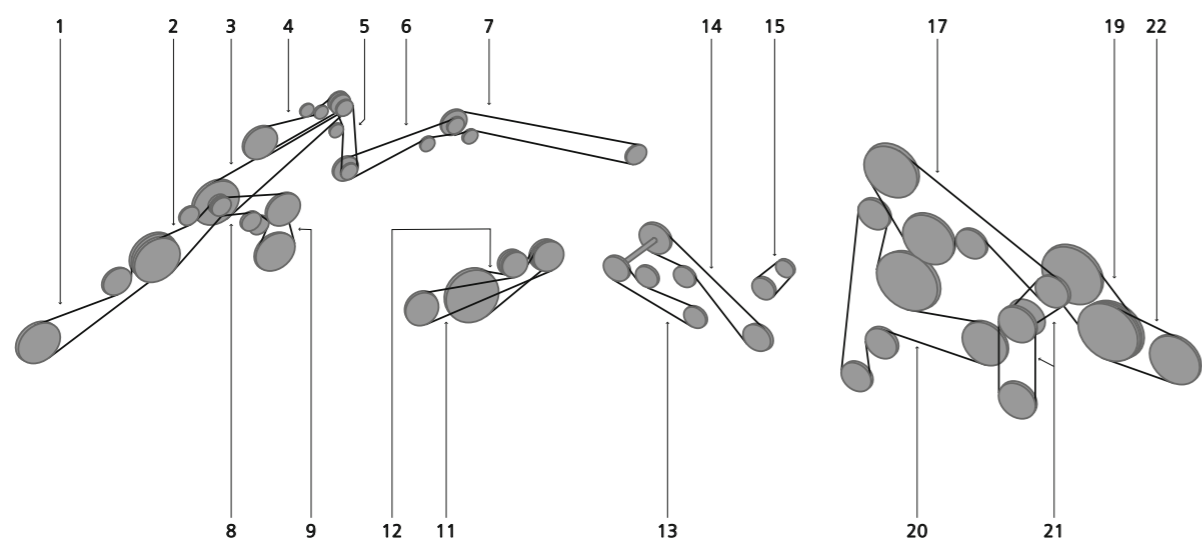
ITEM / POZYCJA	APPLICATION	OPIS	QUANTITY OF V-BELTS IN DRIVE / ILOŚĆ PASÓW W ZESPOLE	OE PART NUMBER / NUMER KATALOGOWY	COMMENT / UWAGI
2	PICK-UP REEL FRONT	NAPĘD POBIERACZA MOTOWIDEŁ PRZÓD	1	0614225	
3	PICK-UP REEL REAR	NAPĘD POBIERACZA MOTOWIDEŁ TYŁ	1	0615109	
4	TABEL DRIVE	NAPĘD HEDERA	1	0615184	
5	TABLE ENGAGE MD	HEADER MD	1	0615124	
5	TABLE ENGAGE TS	HEADER TS	1	0615182	
6	THRESHING M. ENGAGE	MŁOCARNIA	1	0619090	
7	FEEDER AUGER 450	NAPĘD PRZENOŚNIKA ŻBOŻOWEGO 450	1	0615135	
7	GRAIN TANK UNLOAD.	ZESPÓŁ WYSYPU ZIARNA	1	0615135	
8	HYDR. PUMP	POMPA HYDR.	1	0619087	X
10	CLEANING FAN VARIAT.	NAPĘD WIALNI CZYSZCZĄCEJ	2	0614215	
11	WB KNIFE DRIVE	NAPĘD NOŻA	1	0615168	
13	FEEDER AUGER 385	NAPĘD PRZENOŚNIKA ŻBOŻOWEGO 385	1	0615128	
14	STRAW CHOPPER FRONT	ROZDRABNIACZ SŁOMY PRZÓD	1	0615147	
16	RETURN AUG. BEVEL GEAR	NAPĘD PRZENOŚNIKA KŁOSOWEGO	1	0614242	
17	STRAW CHOPPER STD	ROZDRABNIACZ SŁOMY STD	1	0615151	
18	STRAW CHOPPER HS	ROZDRABNIACZ SŁOMY HS	1	0619085	
21	CTA 3A AIR CONDITION	CTA 3A KLIMATYZACJA	1	0613113	X
21	AWI 3B AIR CONDITION	AWI 3B KLIMATYZACJA	1	0613107	X
23	GRAIN ELEV BEVEL GEAR	NAPĘD PRZENOŚNIKA ZIARNA	1	0615139	
25	STRAW WALKER DR.	NAPĘD WYTRZĄSACZA	1	0619062	
26	SHAKER SHOE DRIVE	NAPĘD ZESPOŁU KOSZA SITOWEGO	1	0614150	
27	THRESHING CYLINDER	NAPĘD BĘBNA MŁÓCĄCEGO	1	0619192	
29	ENGINE FAN DRIVE, OUTER	NAPĘD WENTYLATORA, ZEWNĘTRZNY	1	0614227	
30	ENGINE FAN DRIVE, INNER	NAPĘD WENTYLATORA, WEWNĘTRZNY	1	0614242	
31	TABLE ENGAGE HD	HEADER HD	1	0619044	
31	TABLE ENGAGE TS	HEADER TS	1	0619041	
32	THRESHING CYLINDER	NAPĘD BĘBNA MŁÓCĄCEGO	1	0619191	X
33			1	0619077	

X - not in standard offer / brak w standardowej ofercie

ITEM / POZYCJA	APPLICATION	OPIS	QUANTITY OF V-BELTS IN DRIVE / ILOŚĆ PASÓW W ZESPOLE	OE PART NUMBER / NUMER KATALOGOWY	COMMENT / UWAGI
2	PICK-UP REEL FRONT	NAPĘD POBIERACZA MOTOWIDEŁ PRZÓD	1	0614225	
3	PICK-UP REEL REAR	NAPĘD POBIERACZA MOTOWIDEŁ TYŁ	1	0615109	
4	TABEL DRIVE	NAPĘD HEDERA	1	0615184	
5	TABLE ENGAGE	HEADER	1	0615124	
5	TABLE ENGAGE TS	HEADER TS	1	0615182	
6	THRESHING M. ENGAGE	MŁOCARNIA	1	0619090	
7	FEEDER AUGER 450	NAPĘD PRZENOŚNIKA ŻBOŻOWEGO 450	1	0615135	
7	GRAIN TANK UNLOAD.	ZESPÓŁ WYSYPU ZIARNA	1	0615135	
8	HYDR. PUMP	POMPA HYDR.	1	0619087	X
10	CLEANING FAN VARIAT.	NAPĘD WIALNI CZYSZCZĄCEJ	2	0614215	
11	WB KNIFE DRIVE	NAPĘD NOŻA	1	0615168	
13	FEEDER AUGER 385	NAPĘD PRZENOŚNIKA ŻBOŻOWEGO 385	1	0615128	
14	STRAW CHOPPER FRONT	ROZDRABNIACZ SŁOMY PRZÓD	1	0615147	
16	RETURN AUG. BEVEL GEAR	NAPĘD PRZENOŚNIKA KŁOSOWEGO	1	0614242	
17	STRAW CHOPPER REAR STD	ROZDRABNIACZ SŁOMY TYŁ STD	1	0615151	
18	STRAW CHOPPER REAR HS	ROZDRABNIACZ SŁOMY TYŁ HS	1	0619085	
18	STRAW CHOPPER GUIDE PLATE	ROZDRABNIACZ SŁOMY	1	0619088	X
21	CTA 3A AIR CONDITION	CTA 3A KLIMATYZACJA	1	0613113	X
21	AWI 3B AIR CONDITION	AWI 3B KLIMATYZACJA	1	0613107	X
23	GRAIN ELEV. BEVEL GEAR	NAPĘD PRZENOŚNIKA ZIARNA	1	0615139	
25	STRAW WALKER DR.	NAPĘD WYTRZĄSACZA	1	0619062	
26	SHAKER SHOE DRIVE	NAPĘD ZESPOŁU KOSZA SITOWEGO	1	0614150	
27	THRESHING CYLINDER	NAPĘD BĘBNA MŁÓCĄCEGO	1	0619192	
29	ENGINE FAN DRIVE OUTER	NAPĘD WENTYLATORA, ZEWNĘTRZNY	1	0614227	
30	ENGINE FAN DRIVE INNER	NAPĘD WENTYLATORA, WEWNĘTRZNY	1	0614242	
31	TABLE ENGAGE TS	HEADER TS	1	0619041	
31	TABLE ENGAGE	HEADER	1	0619044	
32	THRESHING CYLINDER	MŁOCARNIA	1	0619191	X
33			1	0619077	

X - not in standard offer / brak w standardowej ofercie



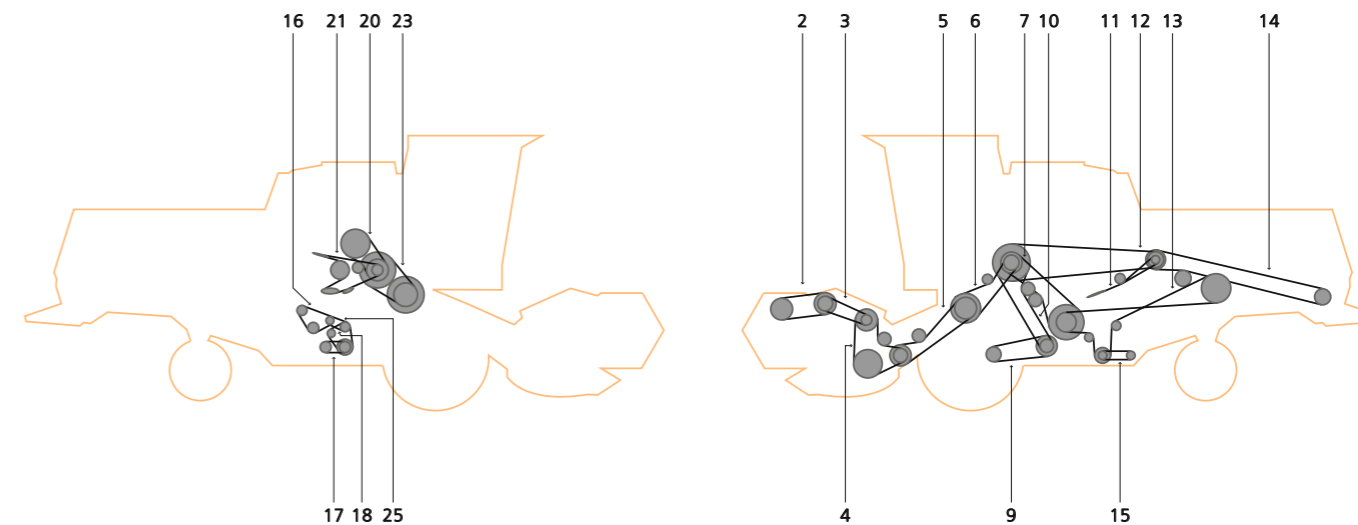
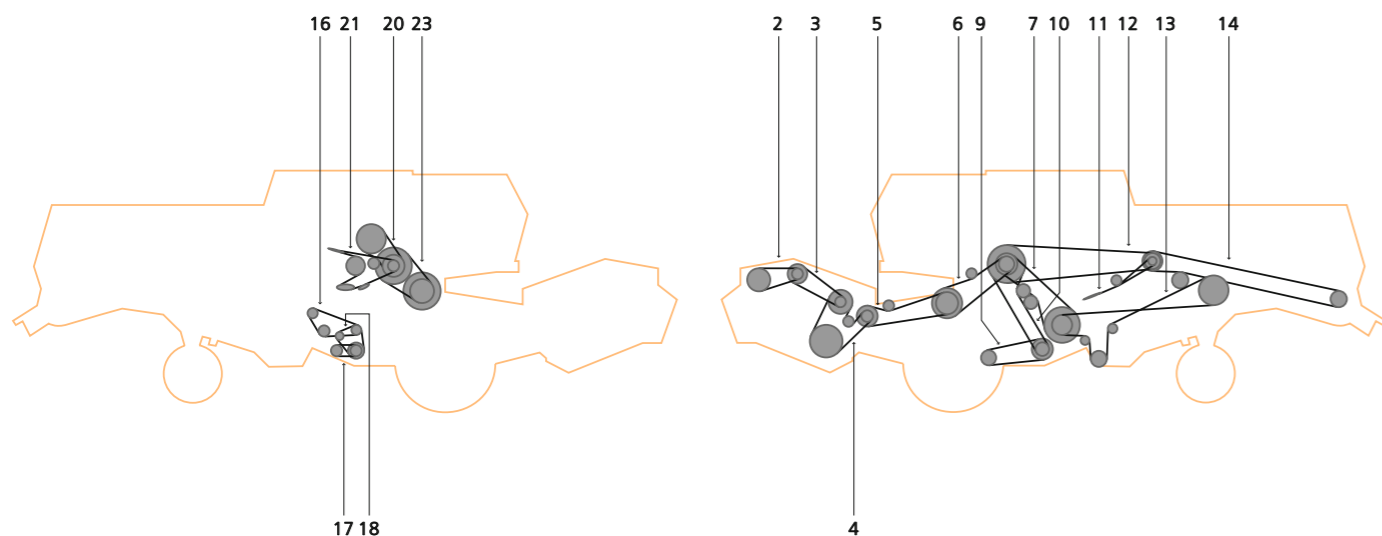


ITEM / POZYCJA	APPLICATION	OPIS	QUANTITY OF V-BELTS IN DRIVE / ILOŚĆ PASÓW W ZESPOLE	OE PART NUMBER / NUMER KATALOGOWY	COMMENT / UWAGI
1			2	0615165	
2			2	0615164	
2	TS only	tylko TS	2	0615142	
3			1	0619090	
3	TS only	tylko TS	1	0619095	
4			1	0619082	
5			1	0619091	
6			1	0619092	
7			1	0619096	
8			1	0615161	
9			1	0615162	
11			1	0615167	
12			1	0615169	
13			1	0614218	X
14			1	0614246	
15			1	0613104	X
17			1	0615139	
19			1	0619190	X
19			1	0619191	X
20			1	0619071	
21			1	0619181	X
22	TS only	tylko TS	1	0619077	

X - not in standard offer / brak w standardowej ofercie

ITEM / POZYCJA	APPLICATION	OPIS	QUANTITY OF V-BELTS IN DRIVE / ILOŚĆ PASÓW W ZESPOLE	OE PART NUMBER / NUMER KATALOGOWY	COMMENT / UWAGI
2			1	0614225	
3			1	0615109	
4			1	0619169	X
4			1	0619173	X
5			1	0619082	
6			1	0613116	
7			1	0615128	
7			1	0615135	
8			1	0615129	
9			1	0614115	
10			1	0614215	
11			1	0619065	
14			1	0614166	
14			1	0619062	
15			1	0615108	
16			1	0614227	
17			1	0615159	
18			1	0615170	
19			1	0614260	
20			1	0614246	
21			1	0615124	
22			1	0614216	
23			1	0613101	X
24			1	0613107	X

X - not in standard offer / brak w standardowej ofercie

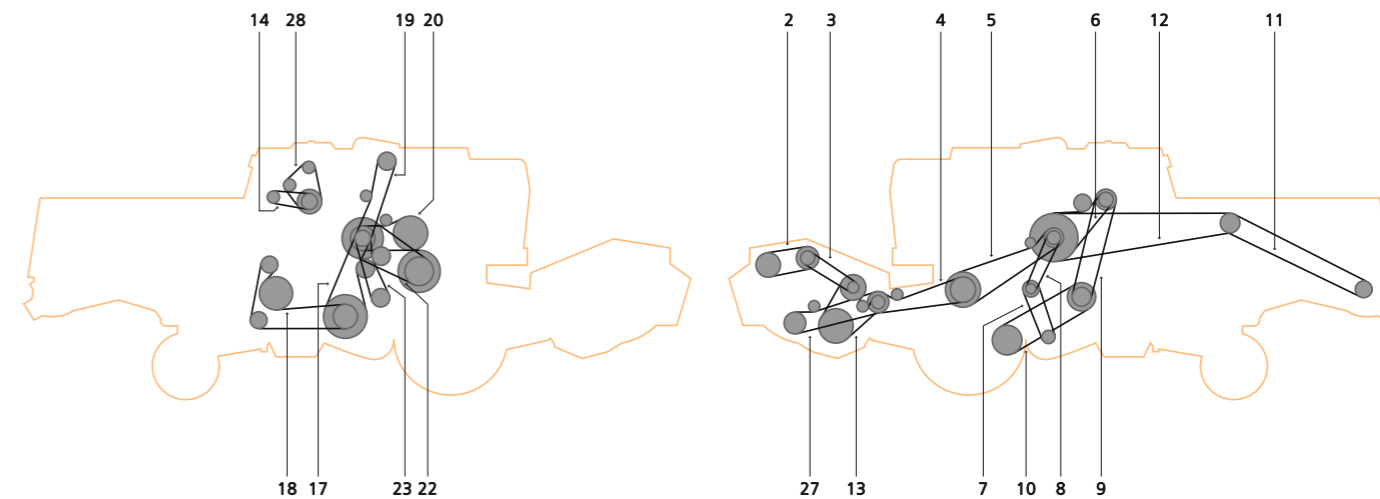
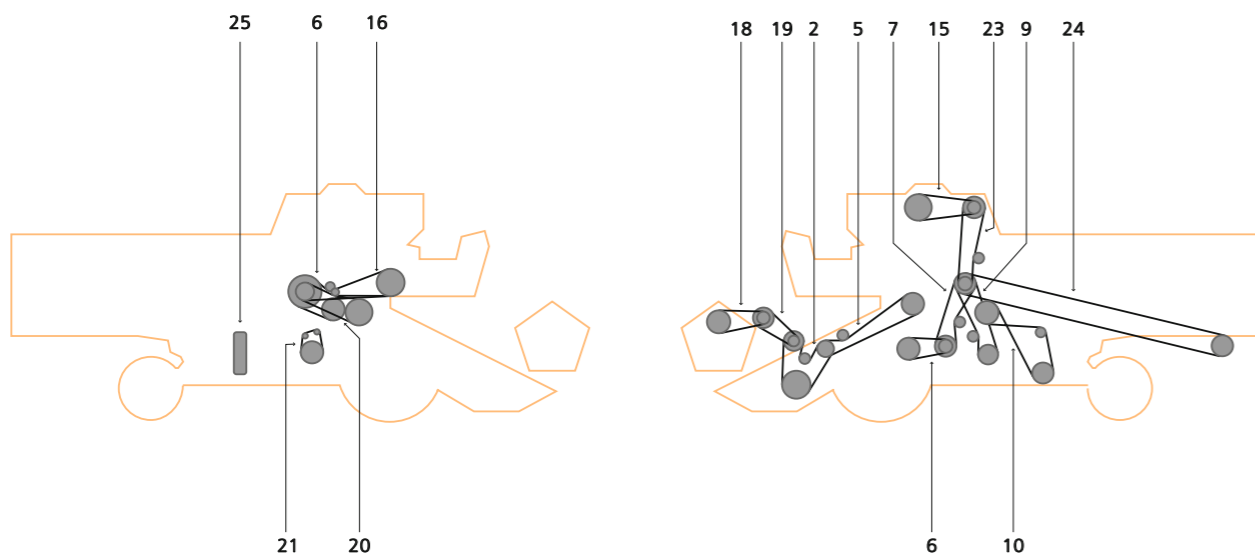


ITEM / POZYCJA	APPLICATION	OPIS	QUANTITY OF V-BELTS IN DRIVE / ILOŚĆ PASÓW W ZESPOLE	OE PART NUMBER / NUMER KATALOGOWY	COMMENT / UWAGI
2	110007-	110007-	1	0614127	
3	110007-110267	110007-110267	1	0614122	
3	113278-119269	113278-119269	1	0614124	
3	119279-	119279-	1	0615110	
4	110007-113268	110007-113268	1	0614149	
4	113278-	113278-	1	0614147	
5	110007-	110007-	1	0615130	
6	110007-	110007-	1	0615124	
7	110007-	110007-	1	0614150	
9	110007-	110007-	1	0619170	X
10	110007-	110007-	1	0619065	
11	110007-	110007-	1	0614136	
12	110007-	110007-	1	0615146	
13	110007-	110007-	1	0614172	
14	110007-	110007-	1	0615147	
16	110007-	110007-	1	0613147	
17	110007-	110007-	1	0613116	
18	110007-	110007-			
20	110007-	110007-	1	0615116	
21	110007-	110007-	1	0614152	
23	110007-	110007-	1	0619175	

X - not in standard offer / brak w standardowej ofercie

ITEM / POZYCJA	APPLICATION	OPIS	QUANTITY OF V-BELTS IN DRIVE / ILOŚĆ PASÓW W ZESPOLE	OE PART NUMBER / NUMER KATALOGOWY	COMMENT / UWAGI
2			1	0614225	
3			1	0615109	
4			1	0615128	
5			1	0615179	
6			1	0615124	
7			1	0614150	
9			1	0619170	X
9			1	0619054	
10			1	0619065	
11			1	0614136	
12			1	0615146	
13			1	0614169	
14			1	0615147	
16			1	0613131	
17			1	0613116	
18	ENGINE EQUIPMENT	OSPRZĘT SILNIKA	1		
20			1	0615116	
21			1	0614152	
23			1	0619175	
25	ENGINE EQUIPMENT	OSPRZĘT SILNIKA	1		

X - not in standard offer / brak w standardowej ofercie

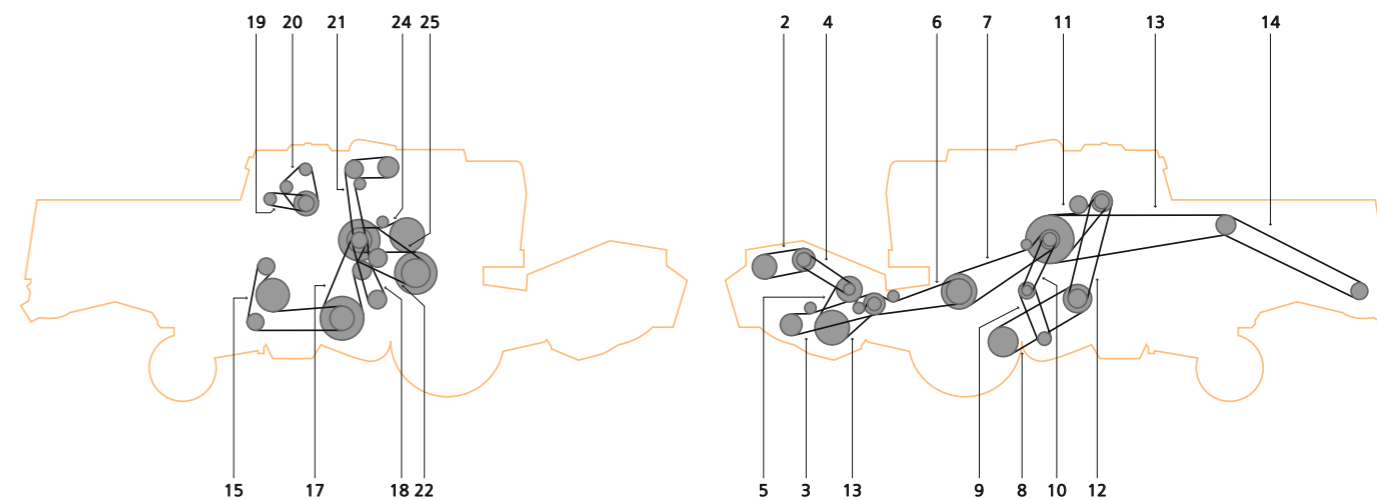
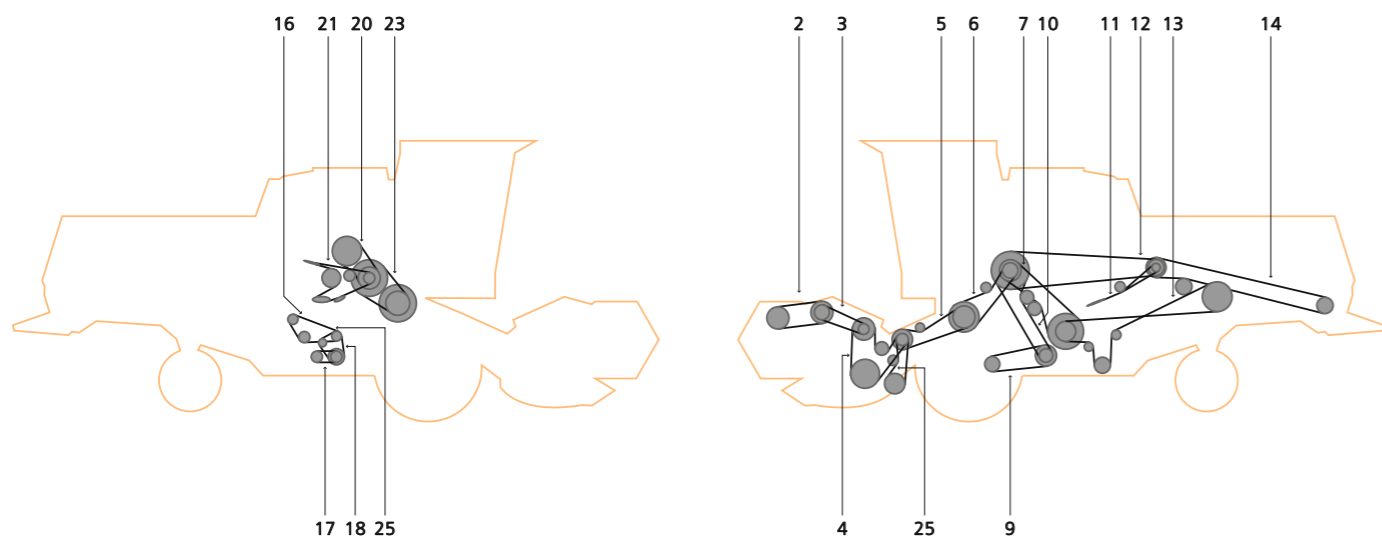


ITEM / POZYCJA	APPLICATION	OPIS	QUANTITY OF V-BELTS IN DRIVE / ILOŚĆ PASÓW W ZESPOLE	OE PART NUMBER / NUMER KATALOGOWY	COMMENT / UWAGI
2	SERIES 41-	SERIA 41-	1	0614146	
5	SERIES 41-	SERIA 41-	1	0615131	
6	SERIES 41-	SERIA 41-	2	0619146	X
7	SERIES 41-	SERIA 41-	1	0600843	X
9	SERIES 41-	SERIA 41-	1	0615123	
10	SERIES 41-	SERIA 41-	1	0614150	
15	SERIES 41-	SERIA 41-	1	0614134	
16	SERIES 41-	SERIA 41-	1	0615127	
18	SERIES 41-	SERIA 41-	1	0614127	
19	SERIES 41-	SERIA 41-	1	0614122	
20	SERIES 41-	SERIA 41-	1	0614141	
21	SERIES 41-	SERIA 41-	2	0493602	X
23	SERIES 41-	SERIA 41-	1	0614144	
24	SERIES 41-	SERIA 41-	1	0615160	
25	SERIES 41-	SERIA 41-	1		

X - not in standard offer / brak w standardowej ofercie

ITEM / POZYCJA	APPLICATION	OPIS	QUANTITY OF V-BELTS IN DRIVE / ILOŚĆ PASÓW W ZESPOLE	OE PART NUMBER / NUMER KATALOGOWY	COMMENT / UWAGI
2	SERIES 45-95	SERIA 45-95	1	0614127	
2	SERIES 97	SERIA 97	1	0614132	
3	SERIES 45-95	SERIA 45-95	1	0614122	
3	SERIES 97	SERIA 97	1	0615108	
4	SERIES 45-	SERIA 45-	1	0615130	
5	SERIES 45-	SERIA 45-	1	0615133	
6	SERIES 45-	SERIA 45-	1	0619080	
7	SERIES 45-	SERIA 45-	1	0614125	
8	SERIES 45-	SERIA 45-	1	0614125	
9	SERIES 45-	SERIA 45-	1	0619185	X
10	SERIES 45-	SERIA 45-	1	0619185	X
11	SERIES 45-	SERIA 45-	1	0615140	
12	SERIES 45-	SERIA 45-	1	0615150	
13	SERIES 45-	SERIA 45-	1	0614146	
14	SERIES 45-	SERIA 45-	1	0613124	
17	SERIES 45-	SERIA 45-	1	0614147	
18	SERIES 45-	SERIA 45-	1	0619059	
19	SERIES 45-	SERIA 45-	1	0614143	
20	SERIES 45-	SERIA 45-	1	0615121	
22	SERIES 45-	SERIA 45-	1	0619180	X
23	SERIES 45-96	SERIA 45-96	1	0614134	
23	SERIES 97	SERIA 97	1	0614133	
27	SERIES 45-	SERIA 45-	1	0615122	
28	SERIES 45-	SERIA 45-	1		

X - not in standard offer / brak w standardowej ofercie

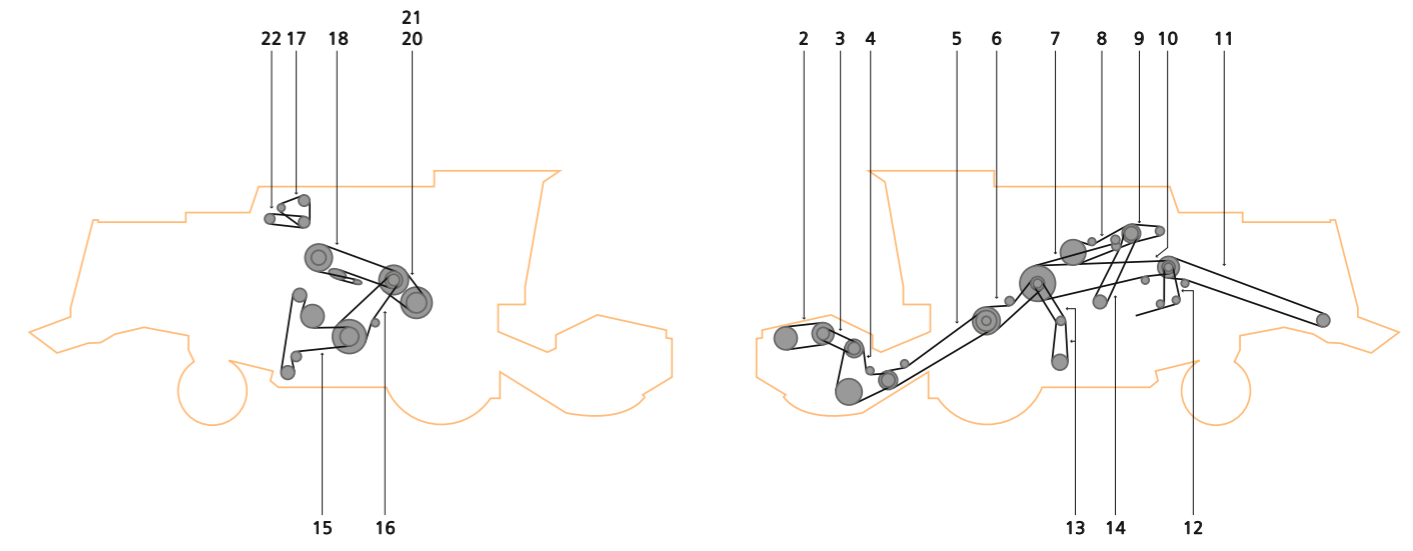
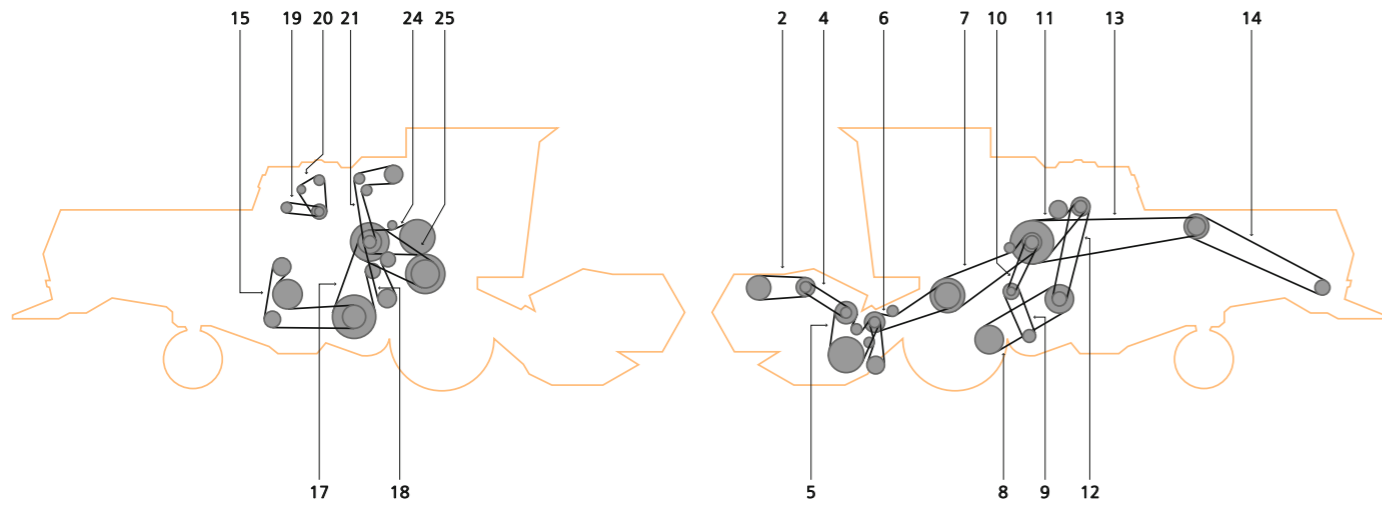


ITEM / POZYCJA	APPLICATION	OPIS	QUANTITY OF V-BELTS IN DRIVE / ILOŚĆ PASÓW W ZESPOLE	OE PART NUMBER / NUMER KATALOGOWY	COMMENT / UWAGI
2	-E11170	-E11170	1	0614126	
2	E11171-	E11171-	1	0614225	
3	-E11170	-E11170	1	0615110	
3	E11171-	E11171-	1	0615109	
4	-E11170	-E11170	1	0614147	
4	E11171-	E11171-	1	0615180	
5			1	0615130	
6			1	0615124	
7			1	0614150	
9			1	0619170	X
10			1	0619065	
11			1	0614136	
12			1	0615146	
13			1	0614172	
14			1	0615147	
16			1	0613148	
17			1	0613116	
18	ENGINE EQUIPMENT	OSPRZĘT SILNIKA	1		
20			1	0615116	
21			1	0614152	
23			1	0619175	
25	E11171-	E11171-	1	0615105	

X - not in standard offer / brak w standardowej ofercie

ITEM / POZYCJA	APPLICATION	OPIS	QUANTITY OF V-BELTS IN DRIVE / ILOŚĆ PASÓW W ZESPOLE	OE PART NUMBER / NUMER KATALOGOWY	COMMENT / UWAGI
2	SERIES NO 510011-532544	SERIA NR 510011-532544	1	0614132	
2	SERIES NO 532554	SERIA NR 532554	1	0614125	
3			1	0615122	
4			1	0615110	
5	SERIES NO 510011-518001	SERIA NR 510011-518001	1	0614148	
5	SERIES NO 518011-	SERIA NR 518011-	1	0615135	
6			1	0615130	
7			1	0615133	
8			1	0619185	X
9			1	0614125	
10			1	0614125	
11			1	0619080	
12			1	0619185	X
13			1	0615150	
14			1	0615140	
15			1	0619059	
17			1	0614147	
18			1	0614131	
19			1	0613124	
20	ENGINE EQUIPMENT	OSPRZĘT SILNIKA	1		
21			1	0614152	
24			1	0615121	
25			1	0619180	X

X - not in standard offer / brak w standardowej ofercie



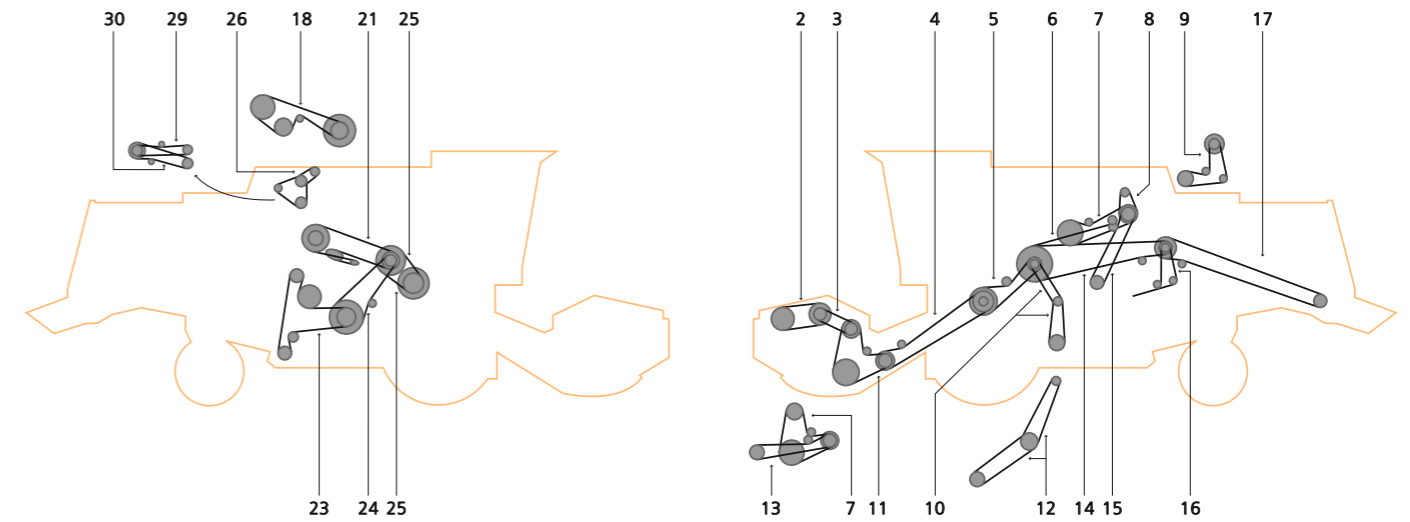
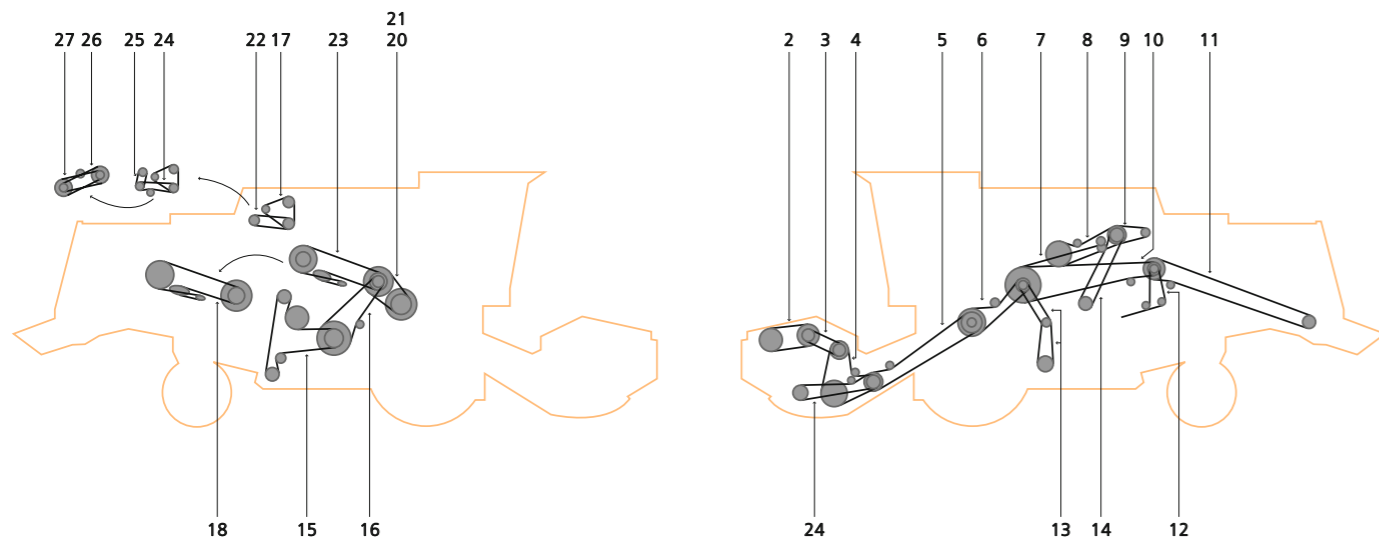
ITEM / POZYCJA	APPLICATION	OPIS	QUANTITY OF V-BELTS IN DRIVE / ILOŚĆ PASÓW W ZESPOLE	OE PART NUMBER / NUMER KATALOGOWY	COMMENT / UWAGI
2	-535648	-535648	1	0614129	
2	535649-	535649-	1	0614225	
3	-535648	-535648	1	0615122	
3	535649-	535649-	1	0615105	
4	-535648	-535648	1	0615110	
4	SERIES NO 535649-536170	SERIA NR 535649-536170	1	0615109	
4	536171-	536171-	1	0615128	
4	536171-	536171-	1	0615109	
5	-535648	-535648	1	0615135	
5	SERIES NO 535649-536170	SERIA NR 535649-536170	1	0615180	
5	535649-	535649-	1	0615115	X
6	-536170	-536170	1	0615130	
6	536171-	536171-	1	0615179	
7			1	0615133	
8			1	0619185	X
9			1	0614125	
10			1	0614125	
11			1	0619080	
12			1	0619185	X
13			1	0615150	
14	-534770	-534770	1	0615140	
14	SERIES NO 534771-535648	SERIA NR 534771-535648	1	0615141	
14	535649-	535649-	1	0615141	
15			1	0619059	
17			1	0614147	
18	-535648	-535648	1	0614131	
18	SERIES NO 535649-536020	SERIA NR 535649-536020	1	0614225	
18	536021-	536021-	1	0614224	
19			1	0613124	
20	-535648 / ENGINE EQUIPMENT	-535648 / OSPRZĘT SILNIKA	1		
21			1	0614152	
24			1	0615121	
25			1	0619180	X

X - not in standard offer / brak w standardowej ofercie

ITEM / POZYCJA	APPLICATION	OPIS	QUANTITY OF V-BELTS IN DRIVE / ILOŚĆ PASÓW W ZESPOLE	OE PART NUMBER / NUMER KATALOGOWY	COMMENT / UWAGI
2			1	0614225	
3			1	0615109	
4			1	0615128	
5			1	0615184	
6			1	0615124	
7			1	0619090	
8			1	0615135	
9			1	0613128	
10			1	0615147	
11			1	0615151	
12			1	0614148	
13			2	0614215	
14	HYDR	HYDR	1	0619080	
14	MEC	MEC	1	0619168	
15			1	0619062	
16			1	0614150	
17	ENGINE EQUIPMENT	OSPRZĘT SILNIKA	1		
18	-550651	-550651	1	0615187	
18	550652-	550652-	1	0619070	
20			1	0619175	
21			1	0619169	X
22	-550320 / OPTIONAL EQUIPMENT	-550320 / WYPOSAŻENIE DODATKOWE	1	0613124	
22	550321 / OPTIONAL EQUIPMENT	550321 / WYPOSAŻENIE DODATKOWE	1	0613126	

X - not in standard offer / brak w standardowej ofercie



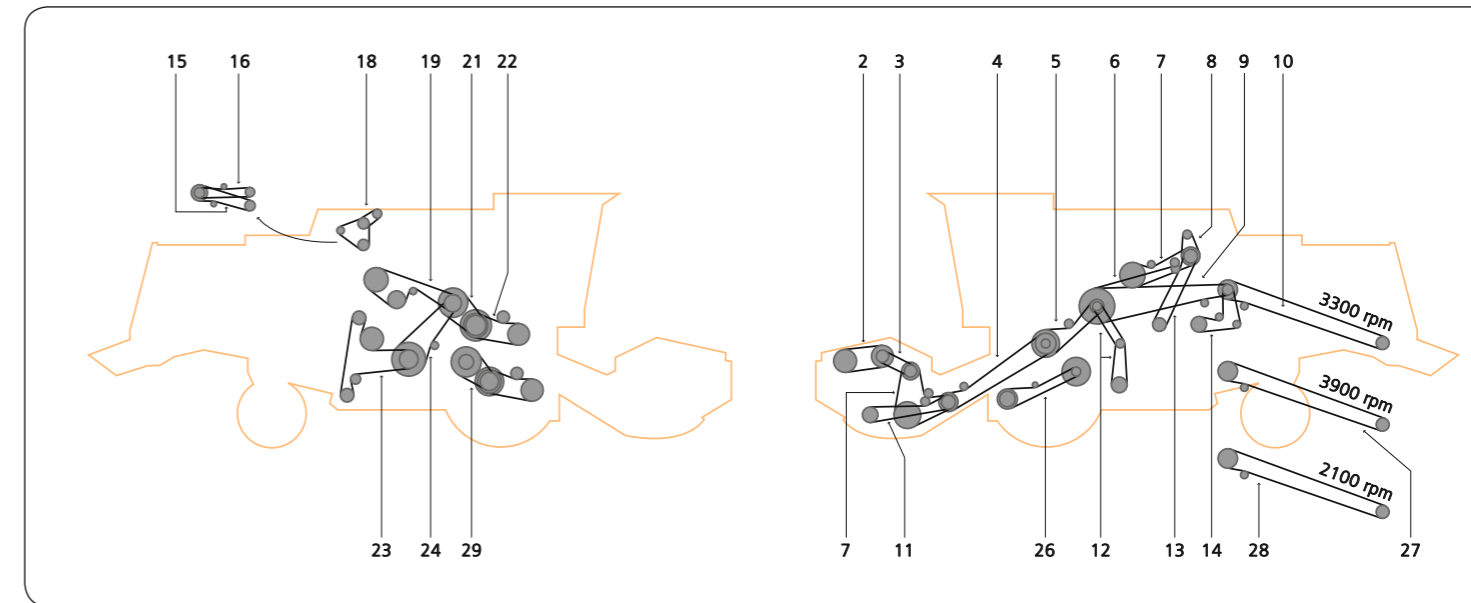
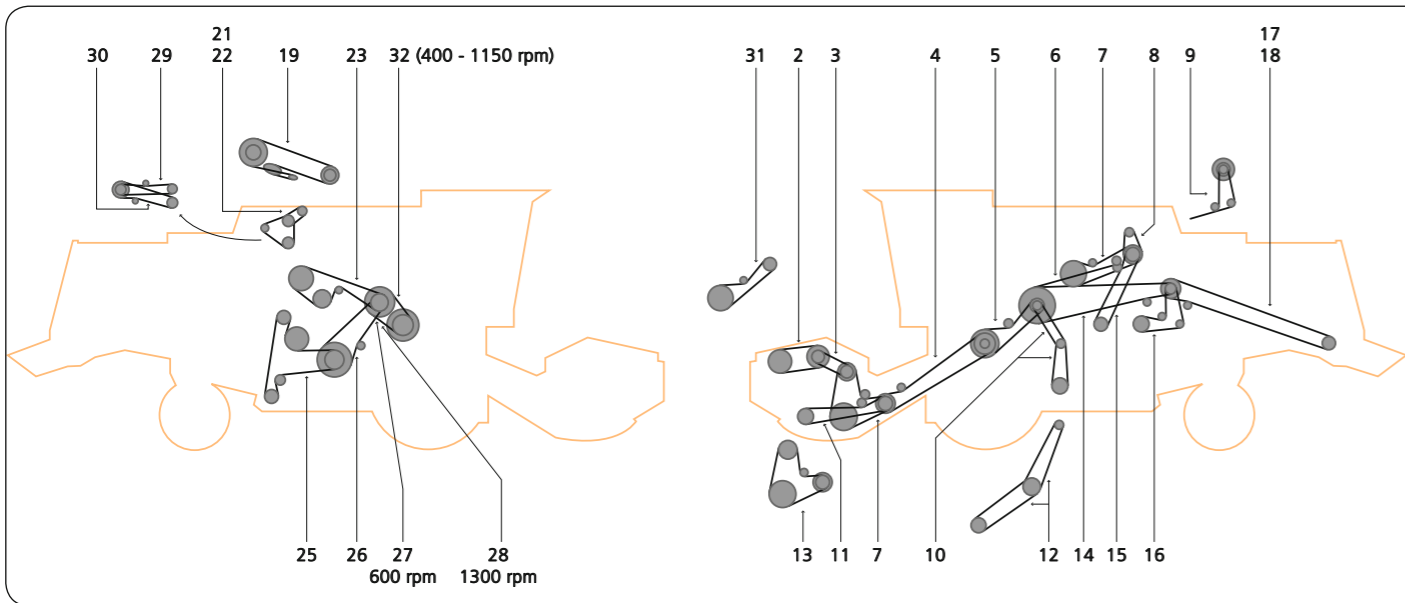


ITEM / POZYCJA	APPLICATION	OPIS	QUANTITY OF V-BELTS IN DRIVE / ILOŚĆ PASÓW W ZESPOLE	OE PART NUMBER / NUMER KATALOGOWY	COMMENT / UWAGI
2			1	0614225	
3			1	0615109	
4			1	0615128	
5			1	0615184	
6	22MM	22MM	1	0615124	
6	32MM	32MM	1	0619044	
7			1	0619090	
8			1	0615135	
9	-552068	-552068	1	0613122	
9	552067-	552067-	1	0613128	
10			1	0615147	
11	177CM 3300RPM	177CM 3300RPM	1	0615151	
11	147CM 3300RPM	147CM 3300RPM	1	0615155	X
11	177CM 2100RPM	177CM 2100RPM	1	0615190	
11	HIGH S 3900RPM	DUŻA PRĘDKOŚĆ 3900RPM	1	0619085	
12			1	0614148	
13			1	0614215	
14	HYDR	HYDR	1	0619080	
14	MEC	MEC	1	0619168	
15			1	0619062	
16			1	0614150	
17	ENGINE EQUIPMENT	OSPRZĘT SILNIKA	1		
18	-550651	-550651	1	0615187	
18	551912	551912	1	0615189	
18	-551911	-551911	1	0619070	
20			1	0619174	X
20			1	0619183	X
21			1	0619169	X
22	-550320 / OPTIONAL EQUIPMENT	-550320 / WYPOSAŻENIE DODATKOWE	1	0613124	
22	550321 / OPTIONAL EQUIPMENT	550321 / WYPOSAŻENIE DODATKOWE	1	0613126	
23	551946 / GRAIN TANK	551946 / ZBIORNIK ZIARNA	1	0615139	
24	P5010	P5010	1	0615168	

X - not in standard offer / brak w standardowej ofercie

ITEM / POZYCJA	APPLICATION	OPIS	QUANTITY OF V-BELTS IN DRIVE / ILOŚĆ PASÓW W ZESPOLE	OE PART NUMBER / NUMER KATALOGOWY	COMMENT / UWAGI
2	PICK-UP REEL FRONT	NAPĘD POBIERACZA MOTOWIDEŁ PRZÓD	1	0614225	
3	PICK-UP REEL REAR	NAPĘD POBIERACZA MOTOWIDEŁ TYŁ	1	0615109	
4	TABLE DRIVE	NAPĘD HEADERA	1	0615184	
5	TABLE ENGAGE	HEADER	1	0615124	
6	THRESHING M. ENGAGE	MŁOCARNIA	1	0619090	
7	FEEDER AUGER 450	NAPĘD PRZENOŚNIKA ŻBOŻOWEGO 450	1	0615135	
7	GRAIN TANK UNLOAD ENG	ZESPÓŁ WYSYPU ZIARNA	1	0615135	
8	WORKING HYDR. PUMP	POMPA HYDR.	1	0613122	
9	RETURN AUG. BEVEL GEAR	NAPĘD PRZENOŚNIKA KŁOSOWEGO	1	0614242	
10	CLEANING FAN VARIAT.	NAPĘD WIALNI CZYSZCZĄCEJ	2	0614215	
11	FEEDER AUGER 385	NAPĘD PRZENOŚNIKA ŻBOŻOWEGO 385	1	0615128	
12	TRACTION VARIATOR	WARIATOR TRAKCJI	2	0619168	
13	WB KNIFE DRIVE	NAPĘD NOŻA	1	0615168	
14	STRAW CHOPPER FRONT	ROZDRABNIACZ SŁOMY PRZÓD	1	0615147	
15	TRACTION HYDR. PUMP	POMPA HYDR. TRAKCJI	1	0619080	
16	RETURN AUG. DIRECT DRIVE	NAPĘD BEZPOŚREDNI PRZENOŚNIKA KŁOSOWEGO	1	0614148	
17	STRAW CHOPPER REAR	ROZDRABNIACZ SŁOMY TYŁ	1	0615155	X
18	GRAIN ELEV. BEVEL GEAR	NAPĘD PRZENOŚNIKA ZIARNA	1	0615139	
21	GRAIN ELEV. DIRECT DRIVE	NAPĘD BEZPOŚREDNI PRZENOŚNIKA ZBOŻOWEGO	1	0615189	
23	STRAW WALKER DRIVE	NAPĘD WYTRZĄSACZA	1	0619062	
24	SHAKER SHOE DRIVE	NAPĘD ZESPOŁU KOSZA SITOWEGO	1	0614150	
25	-555241 / THRESH CYL.	-555241 / MŁOCARNIA	1	0619183	X
25	555422 / THRES CYL.	555422 / MŁOCARNIA	1	0619192	
26	AIR CONDITION	KLIMATYZACJA	1	0613113	X
29	EGINE FAN DRIVE OUTER	NAPĘD WENTYLATORA ZEWNĘTRZNY	1	0614212	
30	ENGINE FAN DRIVE INNER	NAPĘD WENTYLATORA, WEWNĘTRZNY	1	0614222	
30	ENGINE FAN DRIVE INNER	NAPĘD WENTYLATORA, WEWNĘTRZNY	1	0614224	

X - not in standard offer / brak w standardowej ofercie

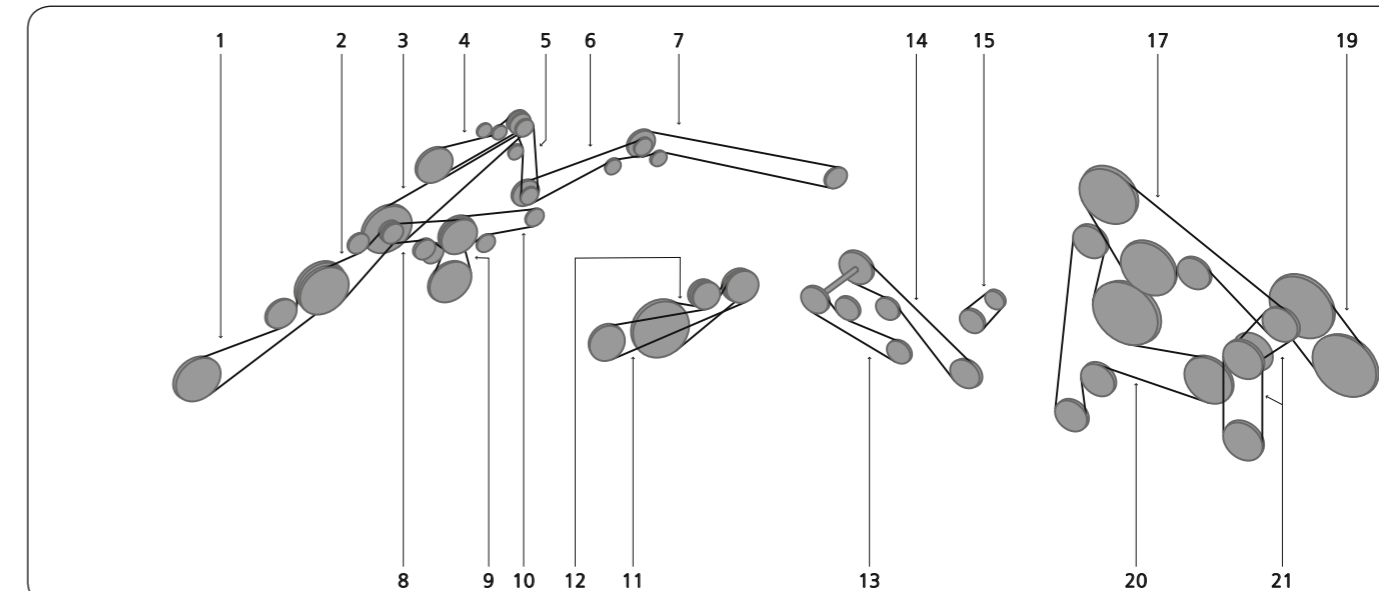
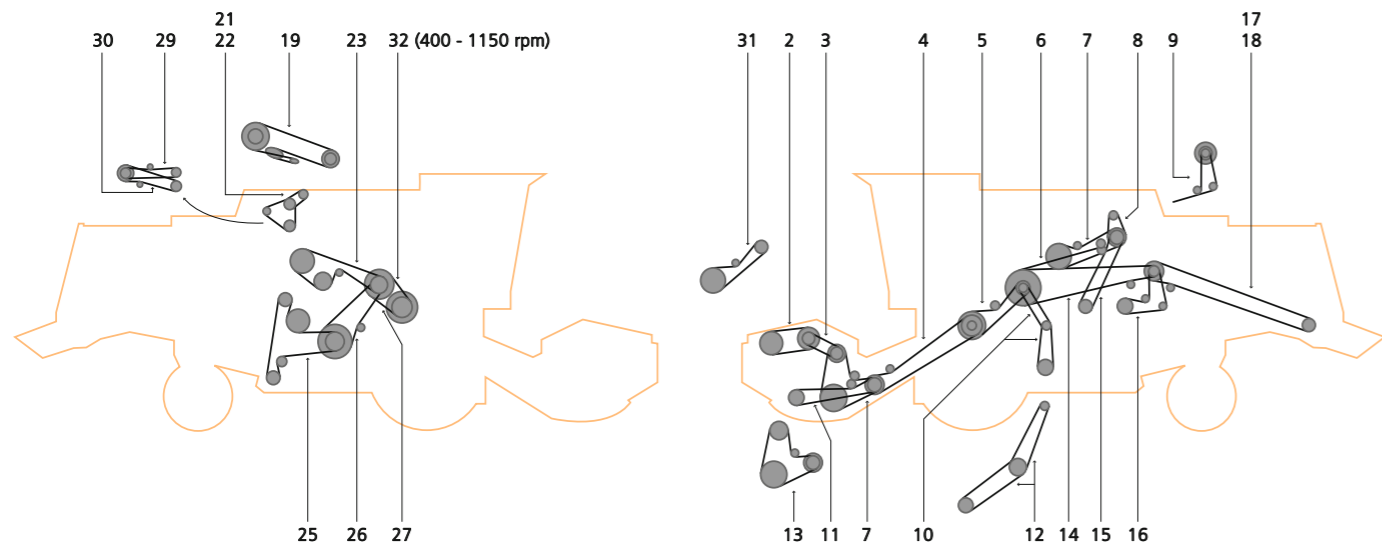


ITEM / POZYCJA	APPLICATION	OPIS	QUANTITY OF V-BELTS IN DRIVE / ILOŚĆ PASÓW W ZESPOLE	OE PART NUMBER / NUMER KATALOGOWY	COMMENT / UWAGI
2	PICK-UP REEL FRONT	NAPĘD POBIERACZA MOTOWIDEŁ PRZÓD	1	0614225	
3	PICK-UP REEL REAR	NAPĘD POBIERACZA MOTOWIDEŁ TYŁ	1	0615109	
4	TABLE DRIVE	NAPĘD HEADERA	1	0615184	
5	TABLE ENGAGE	HEADER	1	0615124	
6	THRESHING M. ENGAGE	MŁOCARNIA	1	0619090	
7	FEEDER AUGER 450	NAPĘD PRZENOŚNIKA ŻBOŻOWEGO 450	1	0615135	
7	GRAIN TANK UNLOAD ENG	ZESPÓŁ WYSYPU ZIARNA	1	0615135	
8	WORKING HYDR. PUMP	POMPA HYDR.	1	0613122	
9	RETURN AUG. DIRECT DRIVE	NAPĘD BEZPOŚREDNI PRZENOŚNIKA KŁOSOWEGO	1	0614148	
10	CLEANING FAN VARIAT.	NAPĘD WIALNI CZYSZCZĄCEJ	2	0614215	
11	WB KNIFE DRIVE	NAPĘD NOŻA	1	0615168	
12	TRACTION VARIATOR	WARIATOR TRAKCJI	2	0619168	
13	FEEDER AUGER 385	NAPĘD PRZENOŚNIKA ŻBOŻOWEGO 385	1	0615128	
14	STRAW CHOPPER FRONT	ROZDRABNIACZ SŁOMY PRZÓD	1	0615147	
15	TRACTION HYDR. PUMP	POMPA HYDR. TRAKCJI	1	0619080	
16	RETURN AUG. BEVEL GEAR	NAPĘD PRZENOŚNIKA KŁOSOWEGO	1	0614242	
17	STRAW CHOPPER STD	ROZDRABNIACZ SŁOMY STD	1	0615151	
18	STRAW CHOPPER HS	ROZDRABNIACZ SŁOMY HS	1	0619085	
19	GRAIN ELEV. DIRECT DRIVE	NAPĘD BEZPOŚREDNI PRZENOŚNIKA ZBOŻOWEGO	1	0615189	
21	4-CYL. AIR CONDITION	4-CYL. KLIMATYZACJA	1	0613113	X
22	6-CYL. AIR CONDITION	6-CYL. KLIMATYZACJA	1	684120900	X
23	GRAIN ELEV. BEVEL GEAR	NAPĘD PRZENOŚNIKA ZIARNA	1	0615139	
25	STRAW WALKER DR.	NAPĘD WYTRZĄSACZA	1	0619062	
26	SHAKER SHOE DRIVE	NAPĘD ZESPOŁU KOSZA SITOWEGO	1	0614150	
27	THRESHING CYLINDER	NAPĘD BĘBNA MŁÓCĄCEGO	1	0619183	X
28	THRESHING CYLINDER	NAPĘD BĘBNA MŁÓCĄCEGO	1	0619174	X
29	ENGINE FAN DRIVE OUTER	NAPĘD WENTYLATORA, ZEWNĘTRZNY	1	0614212	
30	ENGINE FAN DRIVE INNER	NAPĘD WENTYLATORA, WEWNĘTRZNY	1	0614222	
31	TABLE ENGAGE	HEADER	1	0619044	
32	THRESHING CYLINDER	NAPĘD BĘBNA MŁÓCĄCEGO	1	0619169	X

X - not in standard offer / brak w standardowej ofercie

ITEM / POZYCJA	APPLICATION	OPIS	QUANTITY OF V-BELTS IN DRIVE / ILOŚĆ PASÓW W ZESPOLE	OE PART NUMBER / NUMER KATALOGOWY	COMMENT / UWAGI
2	PICK-UP REEL FRONT	NAPĘD POBIERACZA MOTOWIDEŁ PRZÓD	1	0614225	
3	PICK-UP REEL REAR	NAPĘD POBIERACZA MOTOWIDEŁ TYŁ	1	0615109	
4	TABLE DRIVE	NAPĘD HEADERA	1	0615184	
5	TABLE ENGAGE	HEADER	1	0615182	
6	THRESHING M. ENGAGE	MŁOCARNIA	1	0619090	
7	GRAIN TANK UNLOAD ENG	ZESPÓŁ WYSYPU ZIARNA	1	0615135	
7	FEEDER AUGER 450	NAPĘD PRZENOŚNIKA ŻBOŻOWEGO 450	1	0615135	
8	WORKING HYDR.PUMP	POMPA HYDR.	1	0613122	
9	STRAW CHOPPER FRONT	ROZDRABNIACZ SŁOMY PRZÓD	1	0615147	
10	STRAW CHOPPER REAR	ROZDRABNIACZ SŁOMY TYŁ	1	0615151	
11	WB KNIFE DRIVE	NAPĘD NOŻA	1	0615168	
12	CLEANING FAN VARIAT.	NAPĘD WIALNI CZYSZCZĄCEJ	2	0614215	
13	TRACTION HYDR.PUMP	POMPA HYDR. TRAKCJI	1	0619080	
14	RETURN AUG. BEVEL GEAR	NAPĘD PRZENOŚNIKA KŁOSOWEGO	1	0614242	
15	ENGINE FAN DRIVE INNER	NAPĘD WENTYLATORA, WEWNĘTRZNY	1	0614222	
15	ENGINE FAN DRIVE INNER	NAPĘD WENTYLATORA, WEWNĘTRZNY	1	0614224	
15	ENGINE FAN DRIVE INNER	NAPĘD WENTYLATORA, WEWNĘTRZNY	1	0614226	
16	ENGINE FAN DRIVE OUTER	NAPĘD WENTYLATORA, ZEWNĘTRZNY	1	0614212	
18	6-CYL. AIR CONDITION	6-CYL. KLIMATYZACJA	1	684120900	X
19	GRAIN ELEV.BEVEL GEAR	NAPĘD PRZENOŚNIKA ZIARNA	1	0615139	
21	THRESHING CYLINDER	NAPĘD BĘBNA MŁÓCĄCEGO	1	0619192	
22			1	0619077	
23	STRAW WALKER DR.	NAPĘD WYTRZĄSACZA	1	0619062	
24	SHAKER SHOE DRIVE	NAPĘD ZESPOŁU KOSZA SITOWEGO	1	0614150	
26	TABLE ENGAGE	HEADER	1	0619041	
27	STRAW CHOPPER REAR	ROZDRABNIACZ SŁOMY TYŁ	1	0619085	
28	STRAW CHOPPER REAR	ROZDRABNIACZ SŁOMY TYŁ	1	0615190	
29	THRESHING CYLINDER	NAPĘD BĘBNA MŁÓCĄCEGO	1	0619191	X

X - not in standard offer / brak w standardowej ofercie

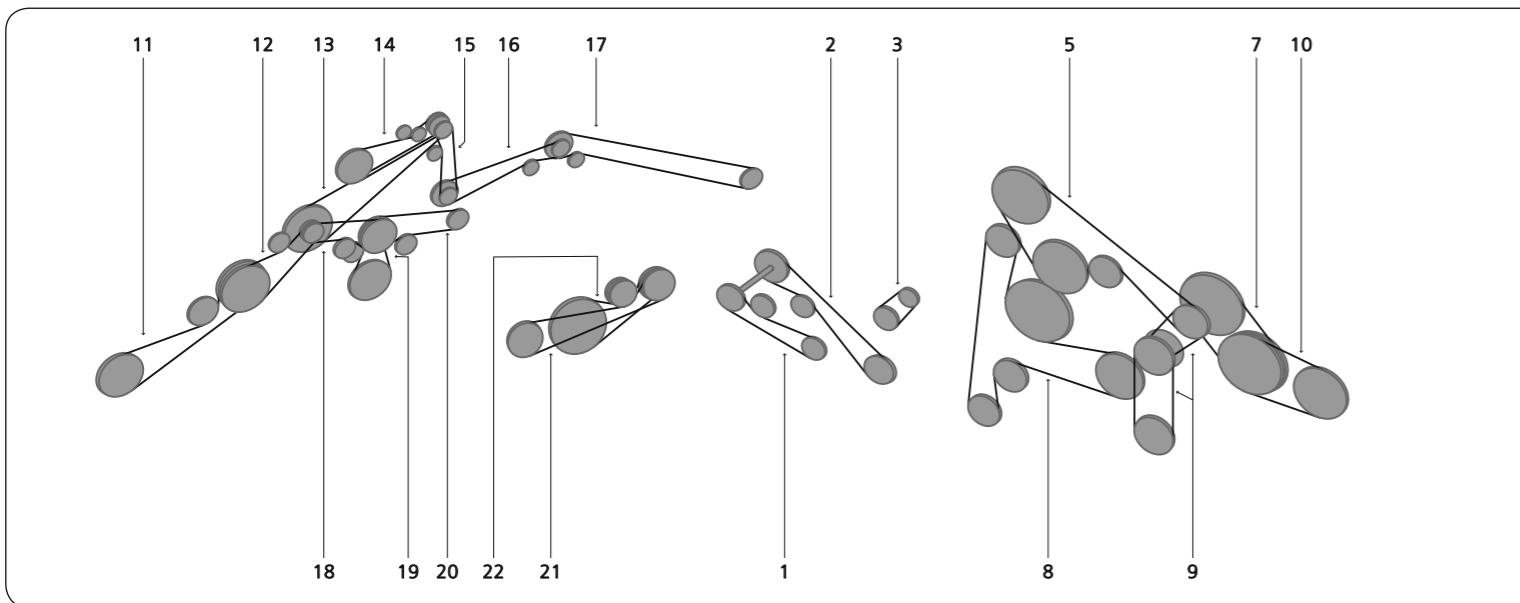


ITEM / POZYCJA	APPLICATION	OPIS	QUANTITY OF V-BELTS IN DRIVE / ILOŚĆ PASÓW W ZESPOLE	OE PART NUMBER / NUMER KATALOGOWY	COMMENT / UWAGI
2	PICK-UP REEL FRONT	NAPĘD POBIERACZA MOTOWIDEŁ PRZÓD	1	0614225	
3	PICK-UP REEL REAR	NAPĘD POBIERACZA MOTOWIDEŁ TYŁ	1	0615109	
4	TABLE DRIVE	NAPĘD HEADERA	1	0615184	
5	TABLE ENGAGE	HEADER	1	0615124	
6	THRESHING M. ENGAGE	MŁOCARNIA	1	0619090	
7	FEEDER AUGER 450	NAPĘD PRZENOŚNIKA ŻBOŻOWEGO 450	1	0615135	
7	GRAIN TANK UNLOAD ENG	ZESPÓŁ WYSYPU ZIARNA	1	0615135	
8	WORKING HYDR. PUMP	POMPA HYDR.	1	0613122	
9	RETURN AUG. DIRECT DRIVE	NAPĘD BEZPOŚREDNI PRZENOŚNIKA KŁOSOWEGO	1	0614148	
10	CLEANING FAN VARIAT.	NAPĘD WIALNI CZYSZCZĄCEJ	1	0614215	
11	WB KNIFE DRIVE	NAPĘD NOŻA	1	0615168	
12	TRACTION VARIATOR	WARIATOR TRAKCJI	1	0619168	
13	FEEDER AUGER 385	NAPĘD PRZENOŚNIKA ŻBOŻOWEGO 385	1	0615128	
14	STRAW CHOPPER FRONT	ROZDRABNIACZ SŁOMY PRZÓD	1	0615147	
15	TRACTION HYDR. PUMP	POMPA HYDR. TRAKCJI	1	0619080	
16	RETURN AUG. BEVEL GEAR	NAPĘD PRZENOŚNIKA KŁOSOWEGO	1	0614242	
17	STRAW CHOPPER STD	ROZDRABNIACZ SŁOMY STD	1	0615151	
18	STRAW CHOPPER HS	ROZDRABNIACZ SŁOMY HS	1	0619085	
19	GRAIN ELEV DIRECT DRIVE	NAPĘD BEZPOŚREDNI PRZENOŚNIKA ZIARNA	1	0615189	
21	4-CYL. AIR CONDITION	4-CYL. KLIMATYZACJA	1	0613113	X
22	6-CYL. AIR CONDITION	6-CYL. KLIMATYZACJA	1	0613104	X
23	GRAIN ELEV BEVEL GEAR	NAPĘD PRZENOŚNIKA ZIARNA	1	0615139	
25	STRAW WALKER DR.	NAPĘD WYTRZĄSACZA	1	0619062	
26	SHAKER SHOE DRIVE	NAPĘD ZESPOŁU KOSZA SITOWEGO	1	0614150	
27	THRESHING CYLINDER	NAPĘD BĘBNA MŁÓCĄCEGO	1	0619192	
29	ENGINE FAN DRIVE OUTER	NAPĘD WENTYLATORA, ZEWNĘTRZNY	1	0614212	
30	ENGINE FAN DRIVE INNER	NAPĘD WENTYLATORA, WEWNĘTRZNY	1	0614222	
30	ENGINE FAN DRIVE INNER	NAPĘD WENTYLATORA, WEWNĘTRZNY	1	0614224	
30	ENGINE FAN DRIVE INNER	NAPĘD WENTYLATORA, WEWNĘTRZNY	1	0614226	
31	TABLE ENGAGE	HEADER	1	0619044	
32	THRESHING CYLINDER	NAPĘD BĘBNA MŁÓCĄCEGO	1	0619191	X

X - not in standard offer / brak w standardowej ofercie

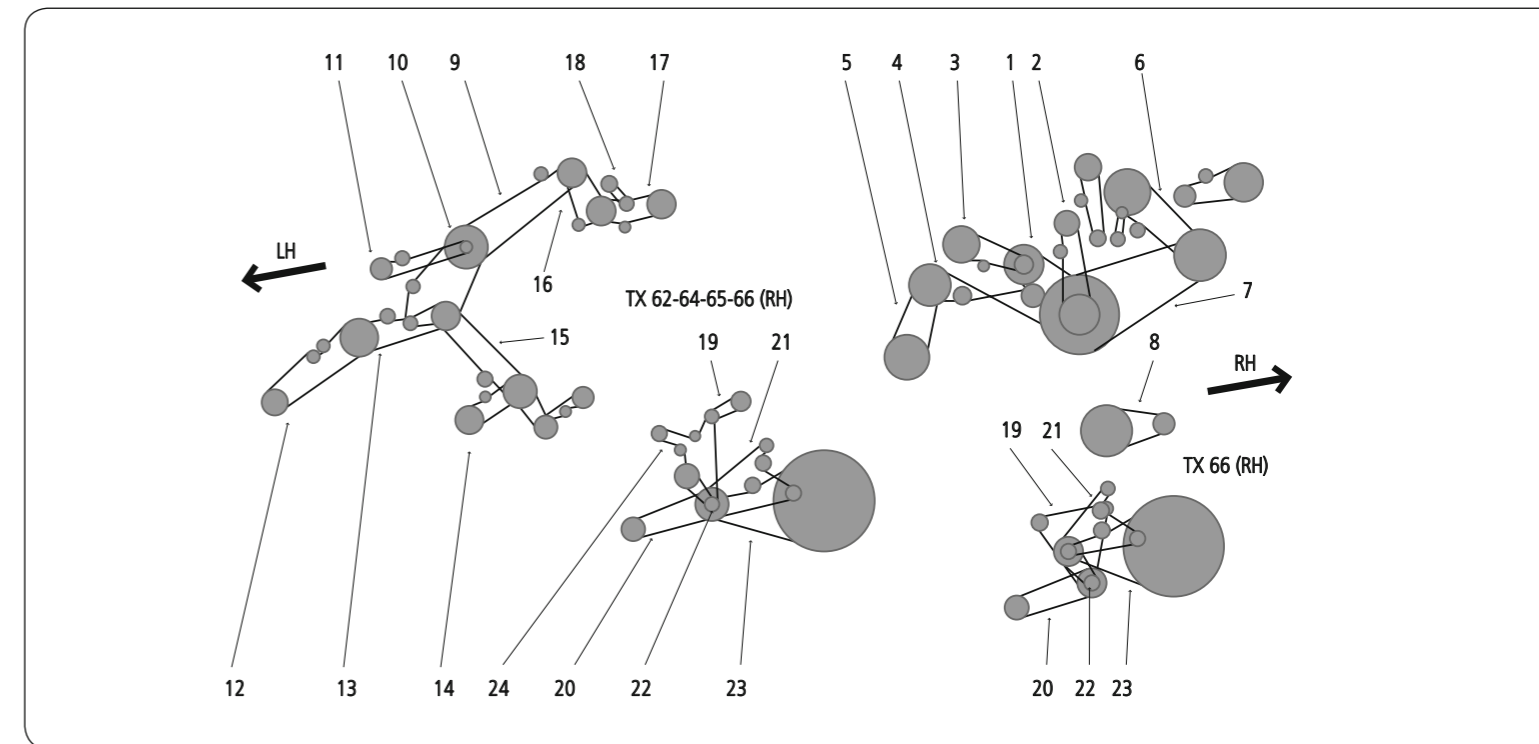
ITEM / POZYCJA	APPLICATION	OPIS	QUANTITY OF V-BELTS IN DRIVE / ILOŚĆ PASÓW W ZESPOLE	OE PART NUMBER / NUMER KATALOGOWY	COMMENT / UWAGI
1			2	0615165	
2			2	0615164	
3			1	0619090	
4			1	0619082	
5			1	0619091	
6			1	0619092	
7			1	0619096	
8			1	0615161	
9			1	0615162	
10			1	0615163	
11			1	0615167	
12			1	0615169	
13			1	0614217	
14			1	0614242	
15			1	684120900	X
17			1	0615139	
19			1	0619190	X
19			1	0619191	X
20			1	0619071	
21			1	0619181	X

X - not in standard offer / brak w standardowej ofercie



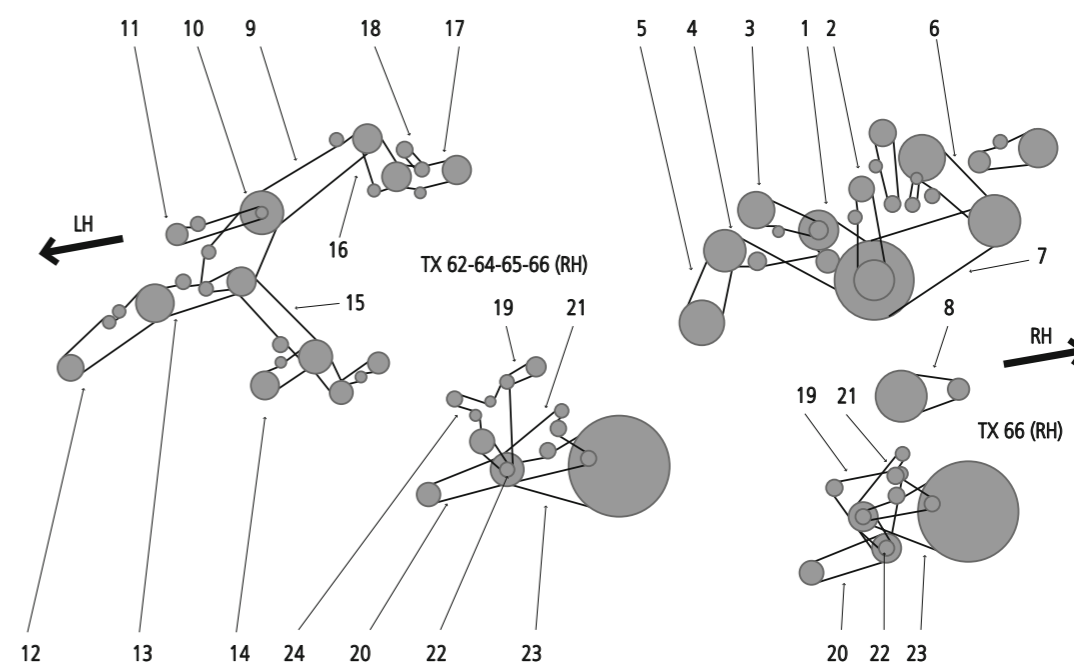
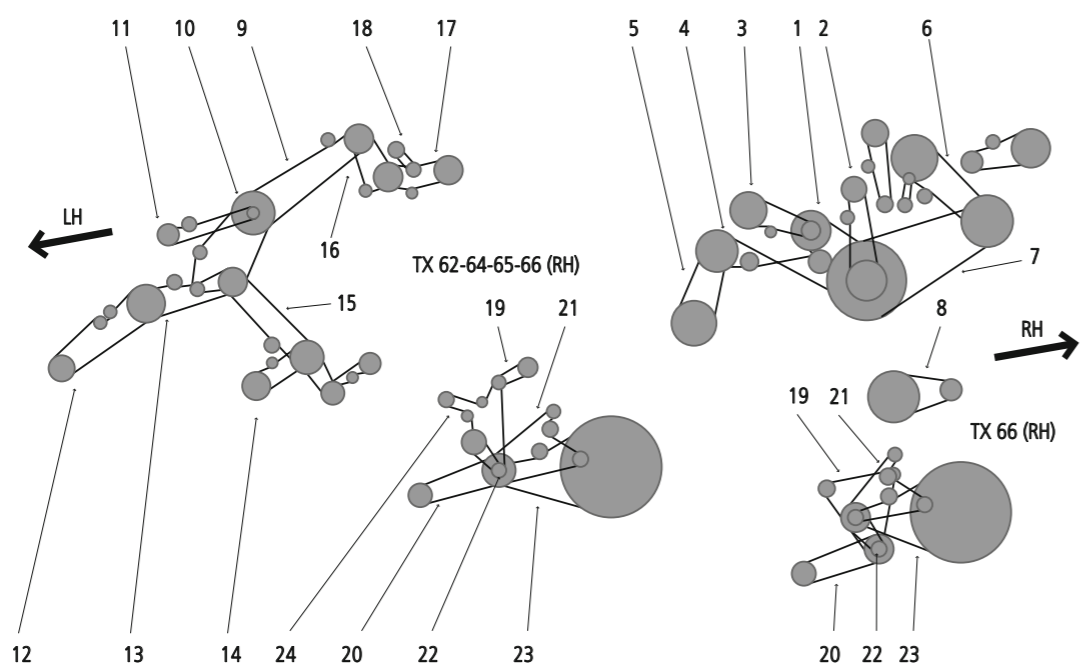
ITEM / POZYCJA	APPLICATION	OPIS	QUANTITY OF V-BELTS IN DRIVE / ILOŚĆ PASÓW W ZESPOLE	OE PART NUMBER / NUMER KATALOGOWY	COMMENT / UWAGI
1			1	0614217	
2			1	0614242	
3			1	684120900	X
5			1	0615139	
7			1	0619190	X
7			1	0619191	X
8			1	0619071	
9			1	0619181	X
10			1	0619077	
11			2	0615165	
12			2	0615142	
13			1	0619095	
14			1	0619082	
15			1	0619091	
16			1	0619092	
17			1	0619096	
18			1	0615161	
19			1	0615162	
20			1	0615163	
21			1	0615167	
22			1	0615169	

X - not in standard offer / brak w standardowej ofercie



ITEM / POZYCJA	APPLICATION	OPIS	QUANTITY OF V-BELTS IN DRIVE / ILOŚĆ PASÓW W ZESPOLE	OE PART NUMBER / NUMER KATALOGOWY	COMMENT / UWAGI
2			1	0614225	
3			1	0615109	
4			1	0615128	
5			1	0615179	
6			1	0615124	
7			1	0614150	
9			1	0619054	
10			1	0619065	
11			1	0614136	
12			1	0615146	
14			1	0615147	
17			1	0613116	
20			1	0615116	
21			1	0614152	

X - not in standard offer / brak w standardowej ofercie



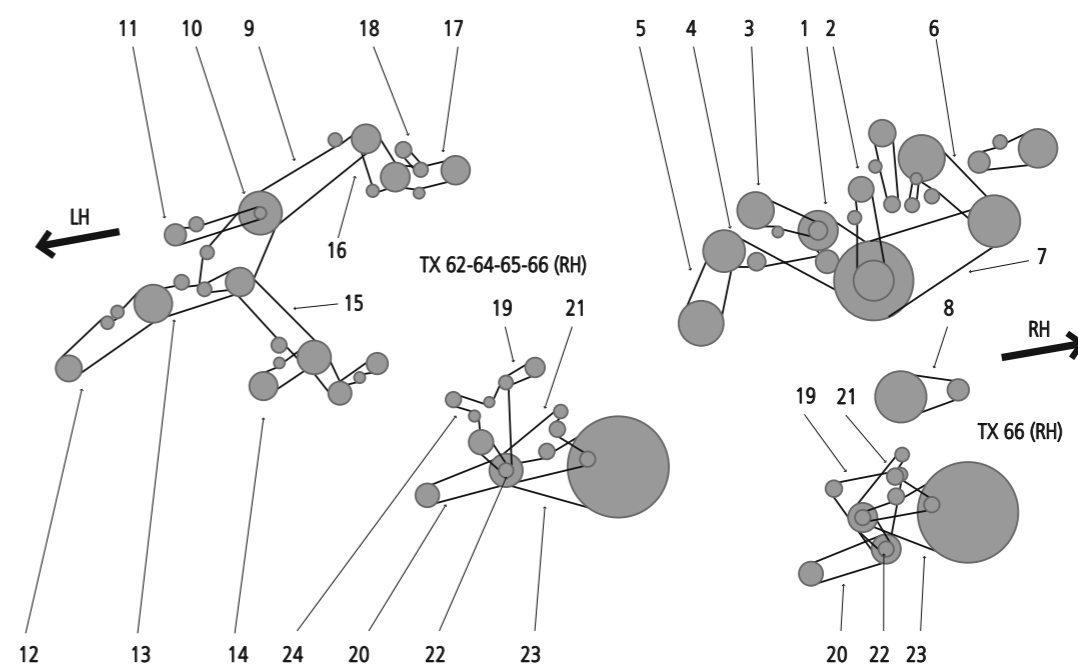
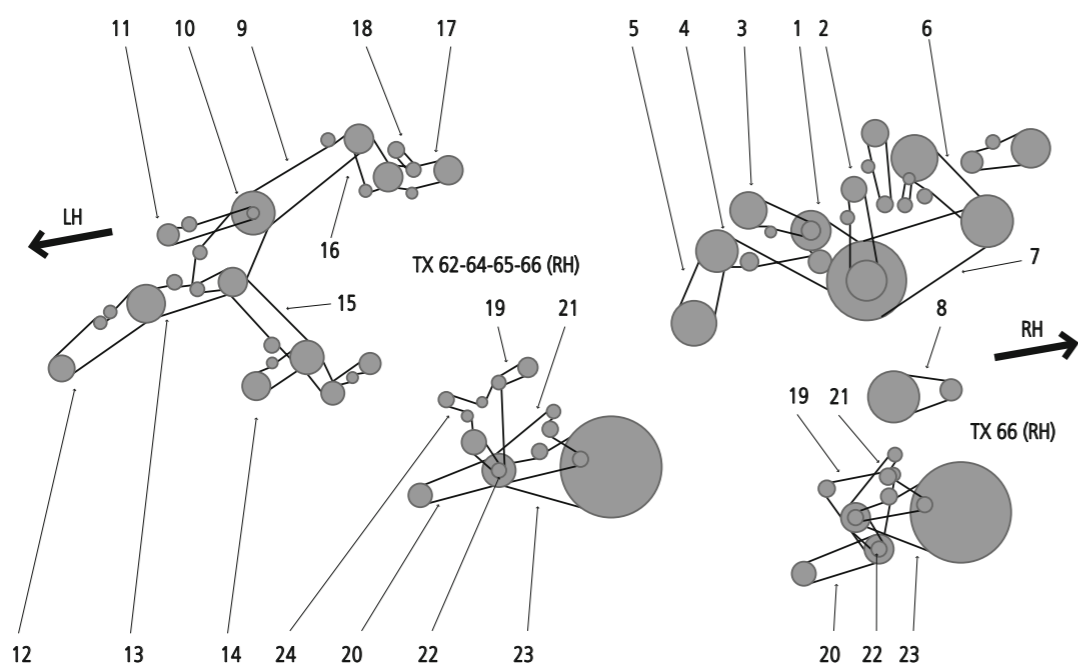
ITEM / POZYCJA	APPLICATION	OPIS	QUANTITY OF V-BELTS IN DRIVE / ILOŚĆ PASÓW W ZESPOLE	OE PART NUMBER / NUMER KATALOGOWY	COMMENT / UWAGI
2			1	0614225	
3			1	0615109	
4			1	0615128	
5			1	0615184	
6			1	0615124	
7			1	0619090	
8			1	0615135	
9			1	0613128	
10			1	0615147	
11			1	0615151	
12			1	0614148	
13			1	0614215	
14			1	0619080	
16			1	0614150	
18			1	0619070	
21			1	0619169	X
22			1	0613124	
22			1	0613126	

X - not in standard offer / brak w standardowej ofercie

ITEM / POZYCJA	APPLICATION	OPIS	QUANTITY OF V-BELTS IN DRIVE / ILOŚĆ PASÓW W ZESPOLE	OE PART NUMBER / NUMER KATALOGOWY	COMMENT / UWAGI
2	KNIFE DRIVE	NAPĘD KOSY	1	22X14X2120LP	
3	THRESHING DRUM VARI-DRIVE	NAPĘD BĘBNA MŁÓCĄCEGO	1	35X12X1340LP	X
4	THRESHING DRUM DRIVE	NAPĘD BĘBNA MŁÓCĄCEGO	1	2C/HC3185LE	
5	REAR THRESHING DRUM DRIVE	TYLNI BĘBEN MŁÓCĄCY	1	4B/HB3700LE	
7	HYDRAULIC PUMP DRIVE	NAPĘD POMPY HYDRAULICZNEJ	1	17X11X1180LP	
8	CYLINDER DRIVE	NAPĘD BĘBNA MŁÓCĄCEGO	1	32X19X4350LP	
11	MAIN FAN DRIVE	GŁÓWNA WIALNIA	1	22X14X2000LP	
12	UNLOADER DRIVE	NAPĘD WYSYPU	1	2B/HB4250LE	
13	SHAKER SHAFT DRIVE	NAPĘD WYTRZĄSACZY	1	22X14X4100LP	
15			1	2B/HB2650LE	
16	VARI DRUM DRIVE	NAPĘD BĘBNA MŁÓCĄCEGO	1	51X20X1983LI	

X - not in standard offer / brak w standardowej ofercie



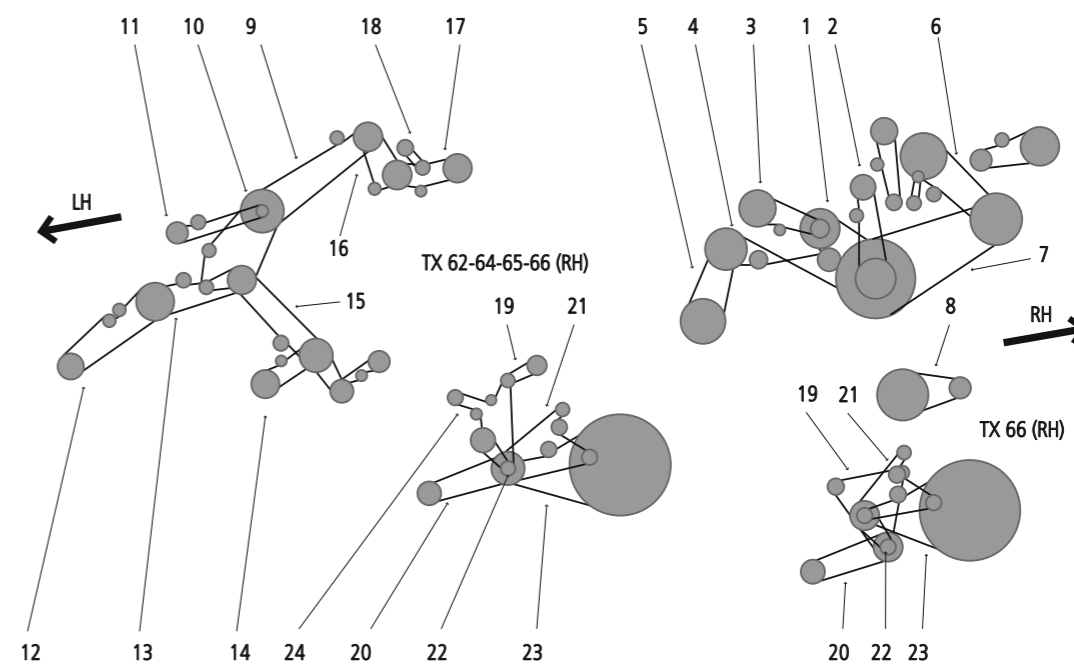
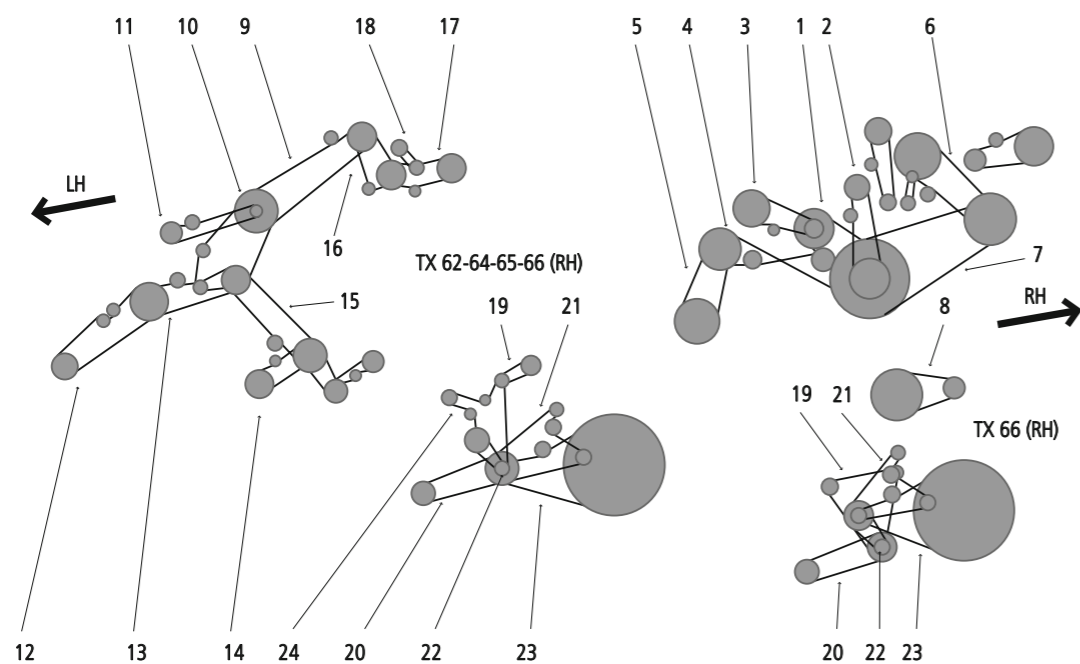


ITEM / POZYCJA	APPLICATION	OPIS	QUANTITY OF V-BELTS IN DRIVE / ILOŚĆ PASÓW W ZESPOLE	OE PART NUMBER / NUMER KATALOGOWY	COMMENT / UWAGI
1			1	22X14X3300LP	
3	THRESHING DRUM VARI-DRIVE	NAPĘD BĘBNA MŁÓCĄCEGO	1	35X12X1340LP	X
4	THRESHING DRUM DRIVE	NAPĘD BĘBNA MŁÓCĄCEGO	1	32X19X3115LP	
5	REAR THRESHING DRUM DRIVE	TYLNI BĘBEN MŁÓCĄCY	1	4B/HB3250LE	
7	HYDRAULIC PUMP DRIVE	NAPĘD POMPY HYDRAULICZNEJ	1	17X11X1180LP	
8	CYLINDER DRIVE	NAPĘD BĘBNA MŁÓCĄCEGO	1	32X19X3700LP	
9			1	22X14X3450LP	
11	MAIN FAN DRIVE	GLÓWNA WIALNIA	1	17X11X1554LP	
12	UNLOADER DRIVE	NAPĘD WYSYPU	1	22X14X3100LP	
13	SHAKER SHAFT DRIVE	NAPĘD WYTRZĄSĄCZY	1	22X14X3600LP	
14	ENGINE FAN & WATER PUMP	NAPĘD WENTYLATORA	1	12.5X10X1175LE	X
15			1	17X13X1443LP	
16	VARI DRUM DRIVE	NAPĘD BĘBNA MŁÓCĄCEGO	1	40X20X1750LI	X

X - not in standard offer / brak w standardowej ofercie

ITEM / POZYCJA	APPLICATION	OPIS	QUANTITY OF V-BELTS IN DRIVE / ILOŚĆ PASÓW W ZESPOLE	OE PART NUMBER / NUMER KATALOGOWY	COMMENT / UWAGI
1	THRESHING DRUM DRIVE	NAPĘD BĘBNA MŁÓCĄCEGO	1	22X14X3000LP	
2	KNIFE DRIVE	NAPĘD KOSY	1	22X14X2120LP	
3	THRESHING DRUM VARI-DRIVE	NAPĘD BĘBNA MŁÓCĄCEGO	1	35X12X1340LP	X
4	THRESHING DRUM DRIVE	NAPĘD BĘBNA MŁÓCĄCEGO	1	32X19X3115LP	
5	REAR THRESHING DRUM DRIVE	TYLNI BĘBEN MŁÓCĄCY	1	4B/HB3950LE	
7	HYDRAULIC PUMP DRIVE	NAPĘD POMPY HYDRAULICZNEJ	1	17X11X1180LP	
8	CYLINDER DRIVE	NAPĘD BĘBNA MŁÓCĄCEGO	1	32X19X3700LP	
11	MAIN FAN DRIVE	GLÓWNA WIALNIA	1	22X18X2800LP	
12	UNLOADER DRIVE	NAPĘD WYSYPU	1	22X18X3000LP	
13	SHAKER SHAFT DRIVE	NAPĘD WYTRZĄSĄCZY	1	22X14X3600LP	
15			1	17X13X1443LP	

X - not in standard offer / brak w standardowej ofercie

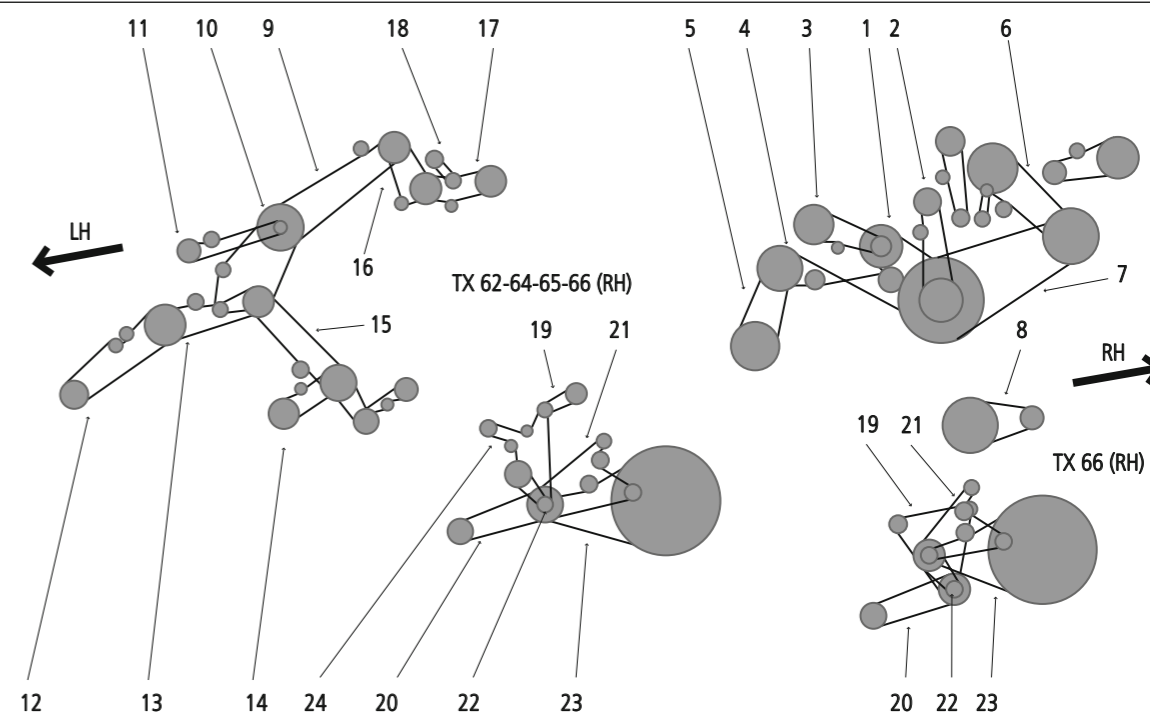
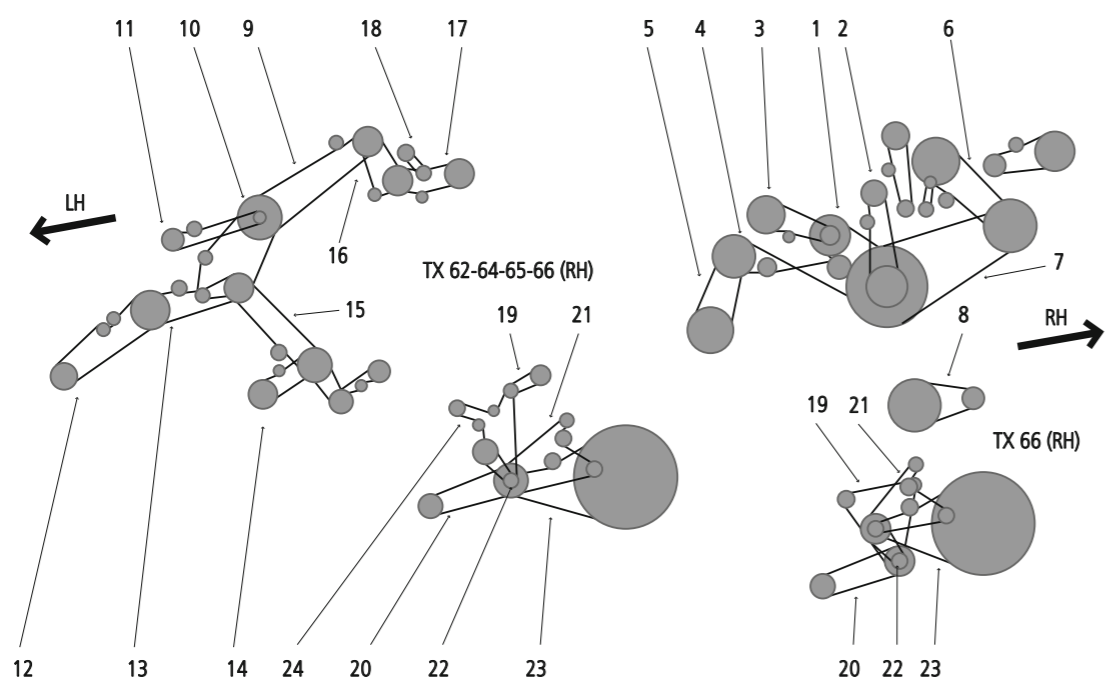


ITEM / POZYCJA	APPLICATION	OPIS	QUANTITY OF V-BELTS IN DRIVE / ILOŚĆ PASÓW W ZESPOLE	OE PART NUMBER / NUMER KATALOGOWY	COMMENT / UWAGI
1	THRESHING DRUM DRIVE	NAPĘD BĘBNA MŁÓCĄCEGO	1	22X14X3300LP	
3	THRESHING DRUM VARI-DRIVE	NAPĘD BĘBNA MŁÓCĄCEGO	1	35X12X1340LP	X
4	THRESHING DRUM DRIVE	NAPĘD BĘBNA MŁÓCĄCEGO	1	32X19X3115LP	
5	REAR THRESHING DRUM DRIVE	TYLNI BĘBEN MŁÓCĄCY	1	4B/HB3250LE	
7	HYDRAULIC PUMP DRIVE	NAPĘD POMPY HYDRAULICZNEJ	1	17X13X1250LP	
8	CYLINDER DRIVE	NAPĘD BĘBNA MŁÓCĄCEGO	1	32X19X3700LP	
9			1	22X18X2120LP	
10			1	17X13X1250LP	
11	MAIN FAN DRIVE	GŁÓWNA WIALNIA	1	22X14X1630LP	
12	UNLOADER DRIVE	NAPĘD WYSYPU	1	22X14X3100LP	
13	SHAKER SHAFT DRIVE	NAPĘD WYTRZĄSĄCZY	1	22X14X3600LP	
15			1	17X13X1443LP	
17			1	13X8X1400LP	
18			1	22X18X2000LP	
19			1	22X14X3150LP	

X - not in standard offer / brak w standardowej ofercie

ITEM / POZYCJA	APPLICATION	OPIS	QUANTITY OF V-BELTS IN DRIVE / ILOŚĆ PASÓW W ZESPOLE	OE PART NUMBER / NUMER KATALOGOWY	COMMENT / UWAGI
1	THRESHING DRUM DRIVE	NAPĘD BĘBNA MŁÓCĄCEGO	1	22X14X3300LP	
3	THRESHING DRUM VARI-DRIVE	NAPĘD BĘBNA MŁÓCĄCEGO	1	35X12X1340LP	X
4	THRESHING DRUM DRIVE	NAPĘD BĘBNA MŁÓCĄCEGO	1	32X19X3115LP	
5	REAR THRESHING DRUM DRIVE	TYLNI BĘBEN MŁÓCĄCY	1	4B/HB3250LE	
7	HYDRAULIC PUMP DRIVE	NAPĘD POMPY HYDRAULICZNEJ	1	17X11X1180LP	
8	CYLINDER DRIVE	NAPĘD BĘBNA MŁÓCĄCEGO	1	32X19X3700LP	
9			1	22X14X3450LP	
11	MAIN FAN DRIVE	GŁÓWNA WIALNIA	1	17X14X1800LP	
12	UNLOADER DRIVE	NAPĘD WYSYPU	1	22X14X3100LP	
13	SHAKER SHAFT DRIVE	NAPĘD WYTRZĄSĄCZY	1	22X14X3600LP	
15			1	22X14X1460LP	
16	VARI DRUM DRIVE	NAPĘD BĘBNA MŁÓCĄCEGO	1	55X20X1850LI	X

X - not in standard offer / brak w standardowej ofercie



ITEM / POZYCJA	APPLICATION	OPIS	QUANTITY OF V-BELTS IN DRIVE / ILOŚĆ PASÓW W ZESPOLE	OE PART NUMBER / NUMER KATALOGOWY	COMMENT / UWAGI
2	KNIFE DRIVE	NAPĘD KOSY	1	22X14X2120LP	
3	THRESHING DRUM VARI-DRIVE	NAPĘD BĘBNA MŁÓCĄCEGO	1	35X12X1340LP	X
4	THRESHING DRUM DRIVE	NAPĘD BĘBNA MŁÓCĄCEGO	1	2C/HC3185LE	
5	REAR THRESHING DRUM DRIVE	TYLNI BĘBEN MŁÓCĄCY	1	4B/HB3700LE	
7	HYDRAULIC PUMP DRIVE	NAPĘD POMPY HYDRAULICZNEJ	1	17X11X1180LP	
8	CYLINDER DRIVE	NAPĘD BĘBNA MŁÓCĄCEGO	1	32X19X4350LP	
11	MAIN FAN DRIVE	GŁÓWNA WIALNIA	1	22X14X1800LP	
12	UNLOADER DRIVE	NAPĘD WYSYPU	1	2B/HB3300LE	
13	SHAKER SHAFT DRIVE	NAPĘD WYTRZĄSACZY	1	22X14X4100LP	
14	ENGINE FAN & WATER PUMP	NAPĘD WENTYLATORA	1	12.5X10X1175LE	X
15			1	2B/HB2650LE	
16	VARI DRUM DRIVE	NAPĘD BĘBNA MŁÓCĄCEGO	1	50X20X1983LI	

X - not in standard offer / brak w standardowej ofercie

ITEM / POZYCJA	APPLICATION	OPIS	QUANTITY OF V-BELTS IN DRIVE / ILOŚĆ PASÓW W ZESPOLE	OE PART NUMBER / NUMER KATALOGOWY	COMMENT / UWAGI
1	THRESHING DRUM DRIVE	NAPĘD BĘBNA MŁÓCĄCEGO	1	22X14X3300LP	
3	THRESHING DRUM VARI-DRIVE	NAPĘD BĘBNA MŁÓCĄCEGO	1	35X12X1340LP	X
4	THRESHING DRUM DRIVE	NAPĘD BĘBNA MŁÓCĄCEGO	1	32X19X3115LP	
5	REAR THRESHING DRUM DRIVE	TYLNI BĘBEN MŁÓCĄCY	1	140X6X3460LE	
7	HYDRAULIC PUMP DRIVE	NAPĘD POMPY HYDRAULICZNEJ	1	17X11X1180LP	
8	CYLINDER DRIVE	NAPĘD BĘBNA MŁÓCĄCEGO	1	32X19X3700LP	
9			1	22X14X3450LP	
11	MAIN FAN DRIVE	GŁÓWNA WIALNIA	1	17X11X1554LP	
12	UNLOADER DRIVE	NAPĘD WYSYPU	1	22X14X3100LP	
13	SHAKER SHAFT DRIVE	NAPĘD WYTRZĄSACZY	1	22X14X3600LP	
15			1	22X14X1460LP	
16	VARI DRUM DRIVE	NAPĘD BĘBNA MŁÓCĄCEGO	1	40X20X1750LI	X

X - not in standard offer / brak w standardowej ofercie

ITEM / POZYCJA	APPLICATION	OPIS	QUANTITY OF V-BELTS IN DRIVE / ILOŚĆ PASÓW W ZESPOLE	OE PART NUMBER / NUMER KATALOGOWY	COMMENT / UWAGI
1	CRACKER DRIVE	NAPĘD ROZDRABNIACZA		2168800	
2	SIEVE DRUM	BĘBEN SITOWY		2253610	X
3	MAIN DRIVE	NAPĘD GŁÓWNY		2159940	
4	DIESEL ENGINE	SILNIK DIESEL		270010100	X
5	DIESEL ENGINE	SILNIK DIESEL		270019200	X
6	FAN DRIVE	NAPĘD WENTYLATORA		9215600	X
7	FAN DRIVE	NAPĘD WENTYLATORA		9215601	X

X - not in standard offer / brak w standardowej ofercie

ITEM / POZYCJA	APPLICATION	OPIS	QUANTITY OF V-BELTS IN DRIVE / ILOŚĆ PASÓW W ZESPOLE	OE PART NUMBER / NUMER KATALOGOWY	COMMENT / UWAGI
1	CRACKER DRIVE	NAPĘD ROZDRABNIACZA		2168800	
2	SUCTION DRIVE	FILTR		2253560	X
3	SUCTION DRIVE	FILTR		200216850	X
4	SIEVE DRUM	BĘBEN SITOWY		2253610	X
5	MAIN DRIVE	NAPĘD GŁÓWNY		2279101	
6	AIR CONDITIONING DRIVE	NAPĘD KLIMATYZACJI		2282330	X
7	DIESEL ENGINE	SILNIK DIESEL		9215610	X
8	FAN DRIVE	NAPĘD WENTYLATORA		9215460	
9	FAN DRIVE	NAPĘD WENTYLATORA		2282361	

X - not in standard offer / brak w standardowej ofercie

Krone BIG X 650 (machine number 734231, 734274, 734527, 734528, 734659, 735005, 735156, 735431, 735550, 735606 and starting from 749000)

ITEM / POZYCJA	APPLICATION	OPIS	QUANTITY OF V-BELTS IN DRIVE / ILOŚĆ PASÓW W ZESPOLE	OE PART NUMBER / NUMER KATALOGOWY	COMMENT / UWAGI
	CRACKER DRIVE	NAPĘD ROZDRABNIACZA		2168800	
	SIEVE DRUM	BĘBEN SITOWY		2253610	X
	MAIN DRIVE	NAPĘD GŁÓWNY		2279101	
	AIR CONDITIONING DRIVE	NAPĘD KLIMATYZACJI		2282330	X
	DIESEL ENGINE	SILNIK DIESEL		9215610	X
				270031100	X
	FAN DRIVE	NAPĘD WENTYLATORA		9215460	
	FAN DRIVE	NAPĘD WENTYLATORA		2282361	

X - not in standard offer / brak w standardowej ofercie

ITEM / POZYCJA	APPLICATION	OPIS	QUANTITY OF V-BELTS IN DRIVE / ILOŚĆ PASÓW W ZESPOLE	OE PART NUMBER / NUMER KATALOGOWY	COMMENT / UWAGI
	CRACKER DRIVE	NAPĘD ROZDRABNIACZA		2168800	
	SIEVE DRUM	BĘBEN SITOWY		2253610	X
	MAIN DRIVE	NAPĘD GŁÓWNY		2279101	
	WATER PUMP - GENERATOR	POMPA WODNA - GENERATOR		270048110	X
	MAIN DRIVE	NAPĘD GŁÓWNY		270063910	
	SIEVE DRUM	BĘBEN SITOWY		2253610	X

X - not in standard offer / brak w standardowej ofercie

ITEM / POZYCJA	APPLICATION	OPIS	QUANTITY OF V-BELTS IN DRIVE / ILOŚĆ PASÓW W ZESPOLE	OE PART NUMBER / NUMER KATALOGOWY	COMMENT / UWAGI
	CRACKER DRIVE	NAPĘD ROZDRABNIACZA		2168800	
	DIESEL ENGINE REAR	SILNIK DIESEL TYŁ		270016220	X
	SIEVE DRUM	BĘBEN SITOWY		200208260	X
	SIEVE DRUM	BĘBEN SITOWY		200208261	X
	MAIN DRIVE	NAPĘD GŁÓWNY		2133350	
	MAIN DRIVE	NAPĘD GŁÓWNY		200211640	
	DIESEL ENGINE	SILNIK DIESEL		270010100	X
	DIESEL ENGINE	SILNIK DIESEL		270017210	X
	DIESEL ENGINE	SILNIK DIESEL		270019200	X
	FAN DRIVE	NAPĘD WENTYLATORA		200225361	
	DIESEL ENGINE	SILNIK DIESEL		270017210	X
	DIESEL ENGINE	SILNIK DIESEL		270016220	X

X - not in standard offer / brak w standardowej ofercie

ITEM / POZYCJA	APPLICATION	OPIS	QUANTITY OF V-BELTS IN DRIVE / ILOŚĆ PASÓW W ZESPOLE	OE PART NUMBER / NUMER KATALOGOWY	COMMENT / UWAGI
	CRACKER DRIVE	NAPĘD ROZDRABNIACZA		2168800	
	SIEVE DRUM	BĘBEN SITOWY		2253610	X
	MAIN DRIVE	NAPĘD GŁÓWNY		270042651	
	WATER PUMP - GENERATOR	POMPA WODNA - GENERATOR		270048110	X

X - not in standard offer / brak w standardowej ofercie







